

POWER SPRAYER PUMP ASSEMBLY
S151

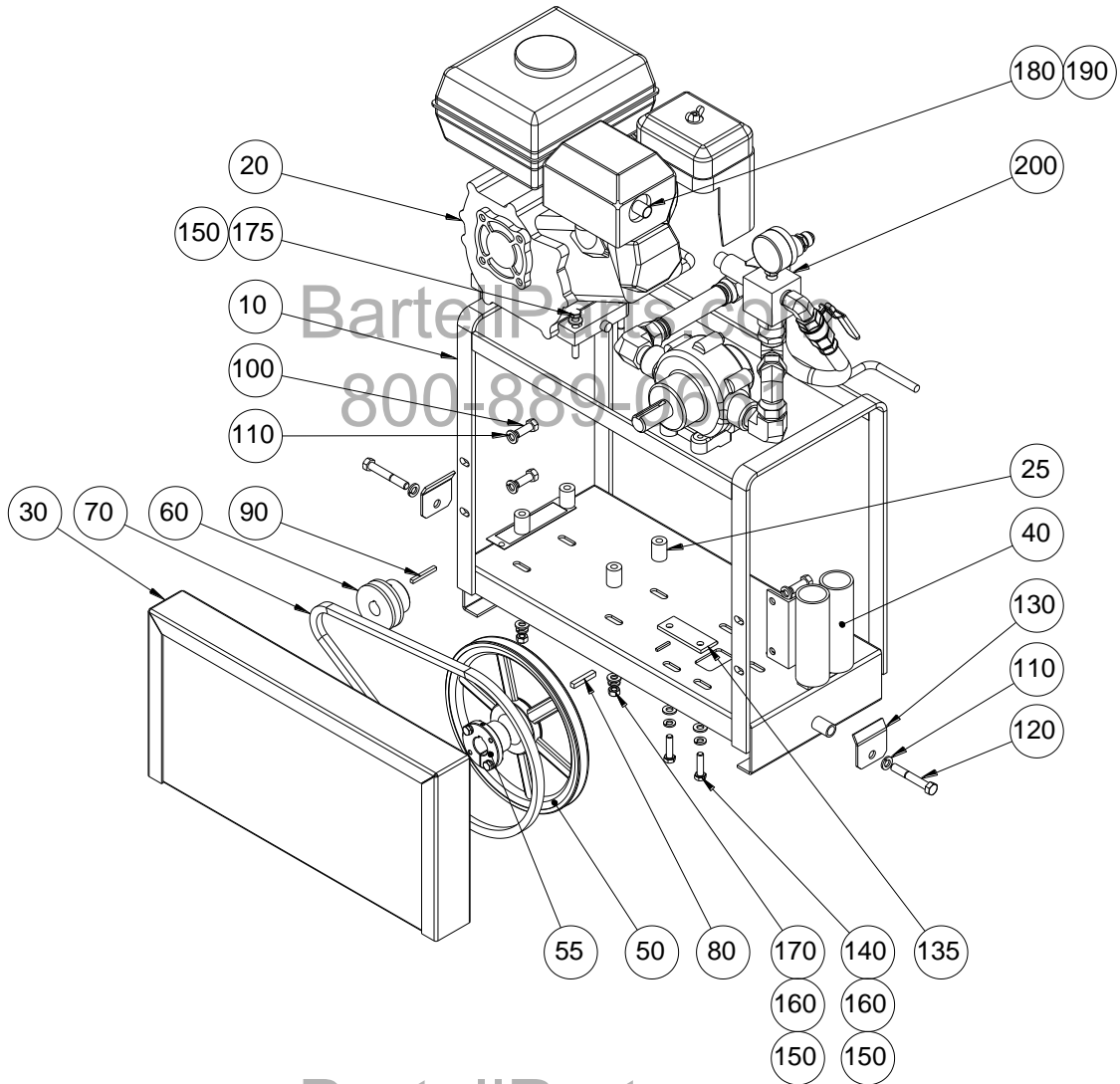


FIGURE 3: POWER SPRAYER ASSEMBLY

POWER SPRAYER PUMP ASSEMBLY
S151

ITEM NO.	PART NO.	DESCRIPTION	QTY	EFFECT. DATE	NOTES
10	570012	FRAME, POWER SPRAYER	1	07-16-2009	
20	21340	ENGINE, HONDA GX120	1	07-16-2009	
25	580093	SPACER, 1"	4	07-16-2009	
30	570027	BELT GUARD, SPRAYER	1	12-07-2010	
40	570017	SUPPORT TUBES	1	07-16-2009	
50	580092	PULLEY W/ KEYWAY, LARGE	1	07-16-2009	
55	580096	BUSHING, PULLEY	1	07-16-2009	
60	50098	PULLEY W/ KEYWAY, SMALL	1	07-16-2009	
70	740474	V-BELT	1	07-16-2009	
80	12461	KEY, PUMP	1	07-16-2009	
90	470625	KEY, ENGINE	1	07-16-2009	
100	10507	HHCS, 3/16"-16 X 1" LG.	4	07-16-2009	
110	10902	WASHER, LOCK, 3/16"	4	07-16-2009	
120	10506	HHCS, 3/16"-16 X 2-1/2" LG.	2	07-16-2009	
130	580075	TAB, HOLD DOWN	2	07-16-2009	
135	580094	SHIM	1	07-16-2009	
140	10407	HHCS, 5/16"-18 X 1-1/4" LG.	2	07-16-2009	
150	11586	WASHER, FLAT, 5/16"	8	07-16-2009	
160	10402	WASHER, LOCK, 5/16"	6	07-16-2009	
170	10915	NUT, HEX, 5/16"-18	4	07-16-2009	
175	10140	HHCS, 5/16"-18 X 2-1/2" LG.	4	07-16-2009	
180	11112	MUFFLER CAP	1	07-16-2009	
190	11115	SCREW, MUFFLER CAP	2	07-16-2009	
200	N/A	PUMP SUBASSEMBLY, SEE PG. 10	1	07-16-2009	SEE PG. 10

BartellParts.com
800-889-0661

POWER SPRAYER PUMP ASSEMBLY
S151 SUBASSEMBLY

ITEM NO.	PART NO.	DESCRIPTION	QTY	EFFECT. DATE	NOTES
10	760102	PUMP, HYPRO 7560	1	07-16-2009	
20	560035	HOSE, BYPASS	1	07-16-2009	
30	897317	FITTING, ELBOW, 3/4" MT TO 3/4" MP	2	07-16-2009	
40	897318	SWIVEL, ELBOW, 3/4" FT TO 3/4" MP	2	07-16-2009	
50	897530	FITTING, SWIVEL, 3/4"MP TO 3/4"FT	1	07-16-2009	
60	580080	MANIFOLD, VALVE BLOCK	1	07-16-2009	
70	897745	ELBOW, 1/2" MP TO 1/2" MP	1	07-16-2009	
80	897765	BALL VALVE, 1/2" MP BRASS	1	07-16-2009	
90	897220	FITTING, 1/2" MT TO 1/2" MP	2	07-16-2009	
100	897445	RUN TEE, 1/2" MP TO 1/2" FP	1	07-16-2009	
110	897760	RELIEF VALVE, ADJUSTABLE	1	07-16-2009	
120	897820	GAUGE, 1/4" NPT, 200PSI	1	07-16-2009	
130	560036	HOSE, EXTENSION ADAPTER	1	07-16-2009	
---	760103	REPAIR KIT	1	07-16-2009	

BartellParts.com
800-889-0661

SPRAY WAND W/ HOSE ASSEMBLY
S151 / S201 SUBASSEMBLY

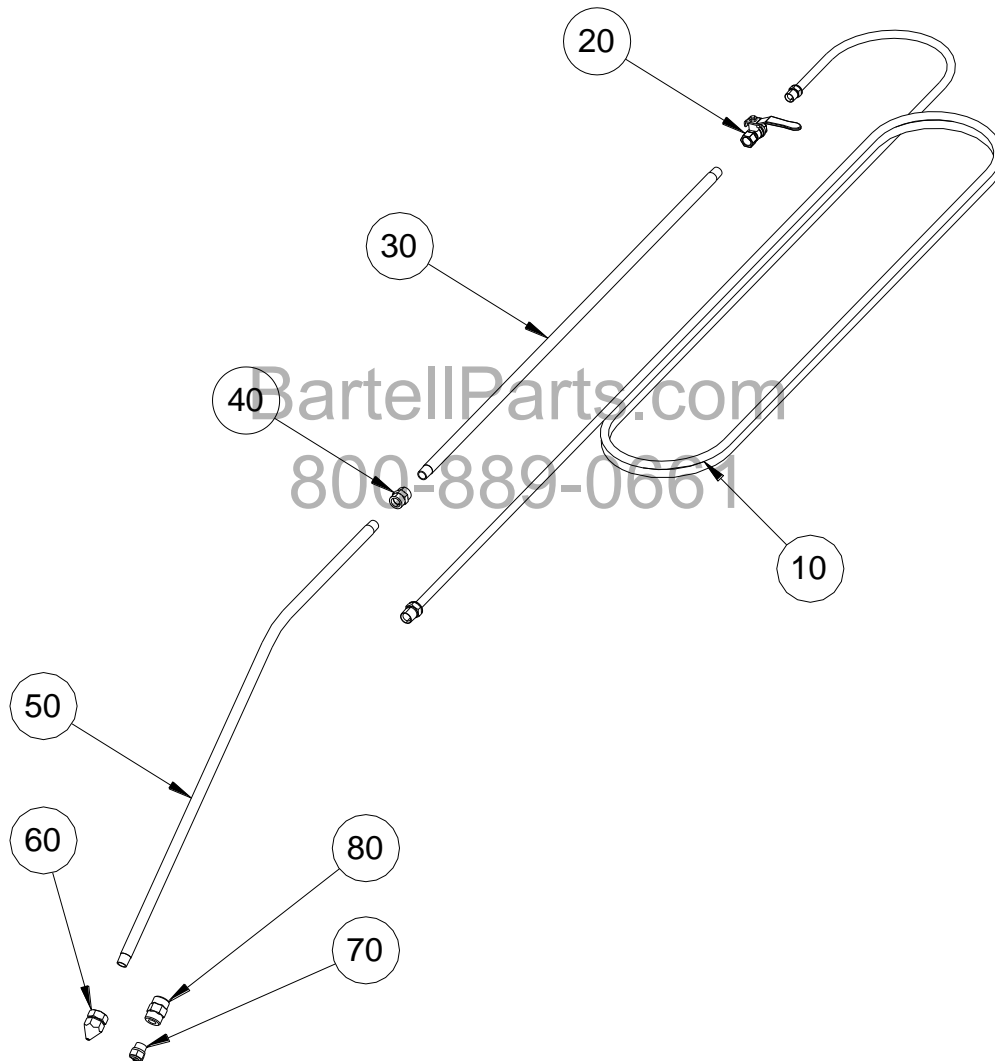


FIGURE 5: SPRAY WAND W/ HOSE ASSEMBLY

ITEM NO.	PART NO.	DESCRIPTION	QTY	EFFECT. DATE	NOTES
10	560070	HOSE, SPRAY WAND, 25 FT LG.	1	05-05-2008	
20	897645	BALL VALVE, 3/8" NPT, BRASS	1	05-05-2008	
30	580105	SPRAY WAND, STRAIGHT SECT.	1	05-05-2008	
40	891710	COUPLING, 3/8" FP	1	05-05-2008	
50	580110	SPRAY WAND, BENT SECTION	1	05-05-2008	
60	897565	SPRAY NOZZLE, CONE, ADJUST.	1	05-05-2008	
70	14493	NOZZLE, FLAT SPRAY	1	05-05-2008	OPTIONAL
80	14494	ADAPTER, FLAT SPRAY NOZZLE	1	05-05-2008	OPTIONAL
90	560071	HOSE, SPRAY WAND, 50 FT LG.	1	12-14-2008	OPTIONAL
100	560072	HOSE, SPRAY WAND, 75 FT LG.	1	12-14-2008	OPTIONAL
110	560073	HOSE, SPRAY WAND, 100 FT LG.	1	12-14-2008	OPTIONAL

BARTELL MORRISON INC.

BARTELL MORRISON (USA) LLC

SUCTION TUBE W/ HOSE ASSEMBLY
S151 / S201 SUBASSEMBLY

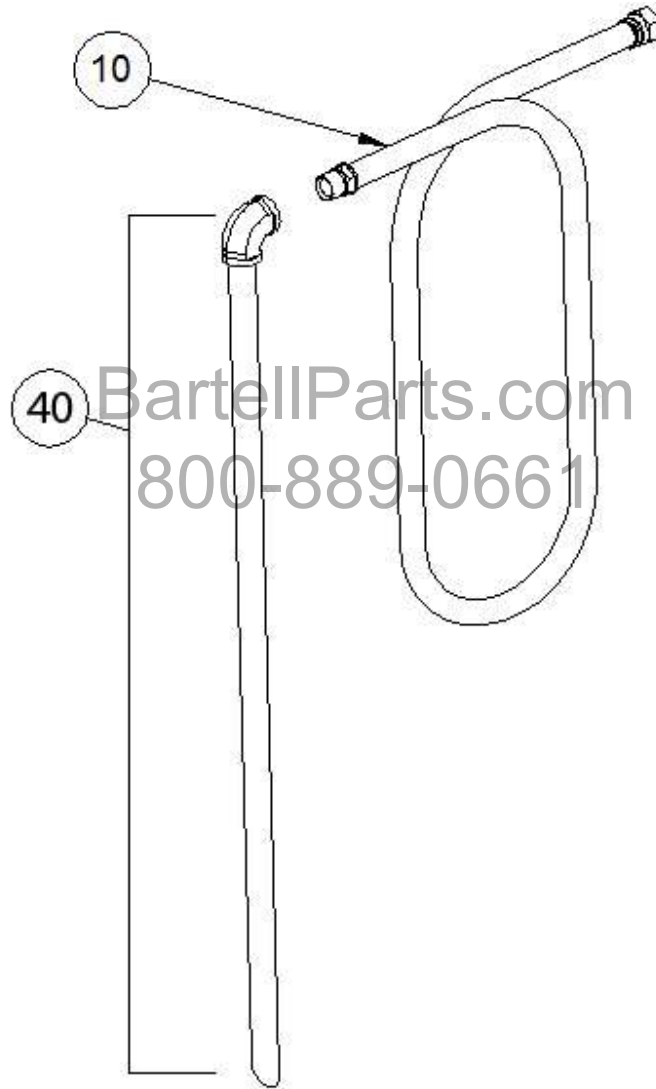


FIGURE 4: SUCTION TUBE W/ HOSE ASSEMBLY

ITEM NO.	PART NO.	DESCRIPTION	QTY	EFFECT. DATE	NOTES
10	560025	HOSE, SUCTION	1	05-05-2008	
40	897961	SUCTION TUBE	1	10-26-2012	

RETURN TUBE W/ HOSE ASSEMBLY
S151 / S201 SUBASSEMBLY

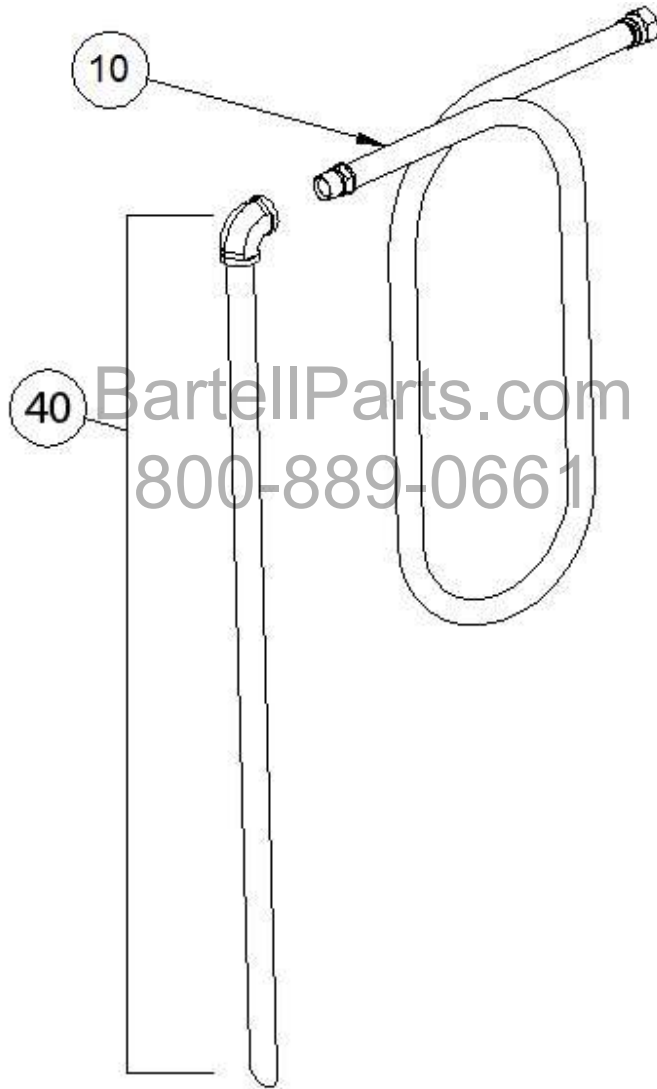


FIGURE 5: RETURN TUBE W/ HOSE ASSEMBLY.

ITEM NO.	PART NO.	DESCRIPTION	QTY	EFFECT. DATE	NOTES
10	560030	HOSE, RETURN	1	05-05-2008	
40	897962	RETURN TUBE	1	10-26-2012	

HAND CART ASSEMBLY
560060

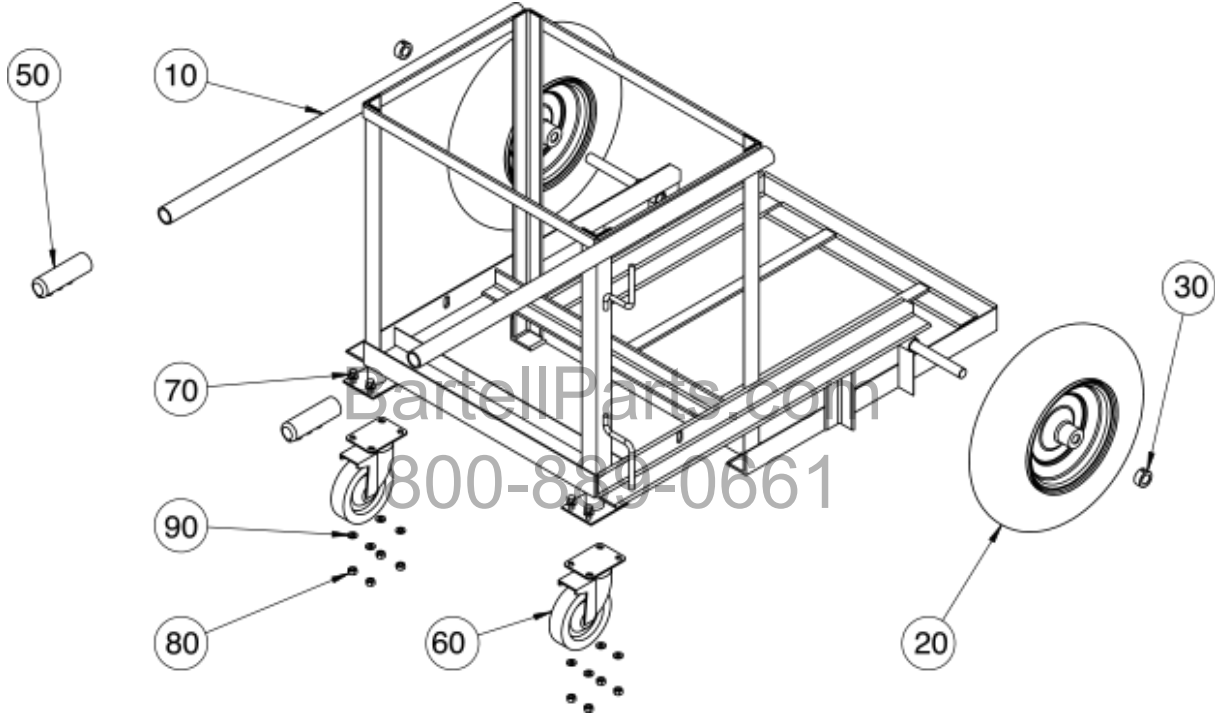


FIGURE 6: HAND CART ASSEMBLY

ITEM NO.	PART NO.	DESCRIPTION	QTY	EFFECT. DATE	NOTES
10	570030	HAND CART FRAME	1	05-05-2008	
20	13198	WHEEL, 16" PNEUMATIC	2	05-05-2008	
30	796065	LOCK COLLAR, WHEEL	2	05-05-2008	
50	796030	GRIP, HANDLE	2	05-05-2008	
60	570031	CASTER	2	07-15-2008	
70	981030	HHCS, 5/16-24 X 1" LG	8	07-15-2008	
80	11586	WASHER, FLAT, 5/16"	16	07-15-2008	
90	980360	LOCKNUT, 5/16-24, NYLON INSERT	8	07-15-2008	

BartellParts.com
800-889-0661

TOW CART ASSEMBLY
560065

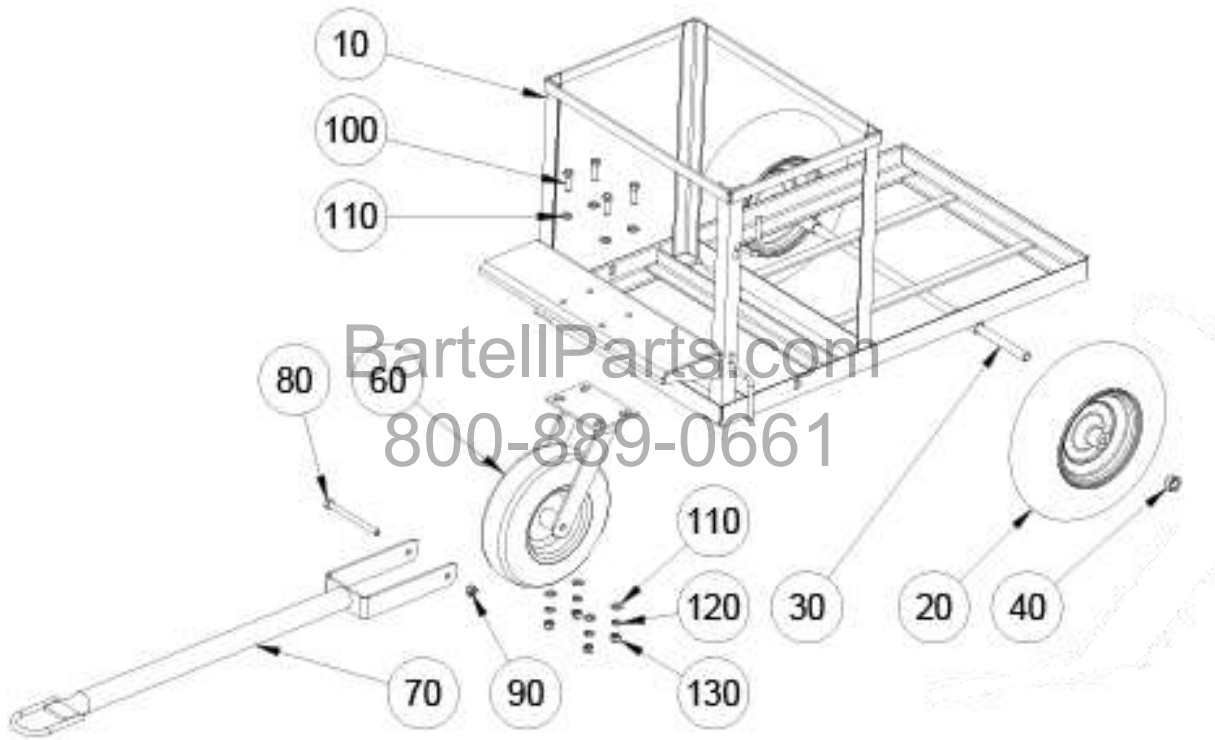


FIGURE 7: TOW CART ASSEMBLY

ITEM NO.	PART NO.	DESCRIPTION	QTY	EFFECT. DATE	NOTES
10	570035	FRAME, TOW CART	1	05-05-2008	
20	13198	WHEEL, 16" PNEUMATIC	2	05-05-2008	
30	580268	AXLE, HAND CART	1	05-05-2008	
40	796065	LOCK COLLAR, WHEEL	2	05-05-2008	
60	842035	FRONT WHEEL W/ CASTOR	1	05-05-2008	
70	570040	TOW BAR	1	05-05-2008	
80	13637	AXLE BOLT	1	05-05-2008	
90	13577	AXLE NUT	1	05-05-2008	
100	981050	HHCS, 7/16"-20 X 1-1/2" LG.	4	05-05-2008	
110	12930	WASHER, FLAT, 7/16"	8	05-05-2008	
120	990870	WASHER, LOCK, 7/16"	4	05-05-2008	
130	981060	NUT, HEX, 7/16"-20	4	05-05-2008	