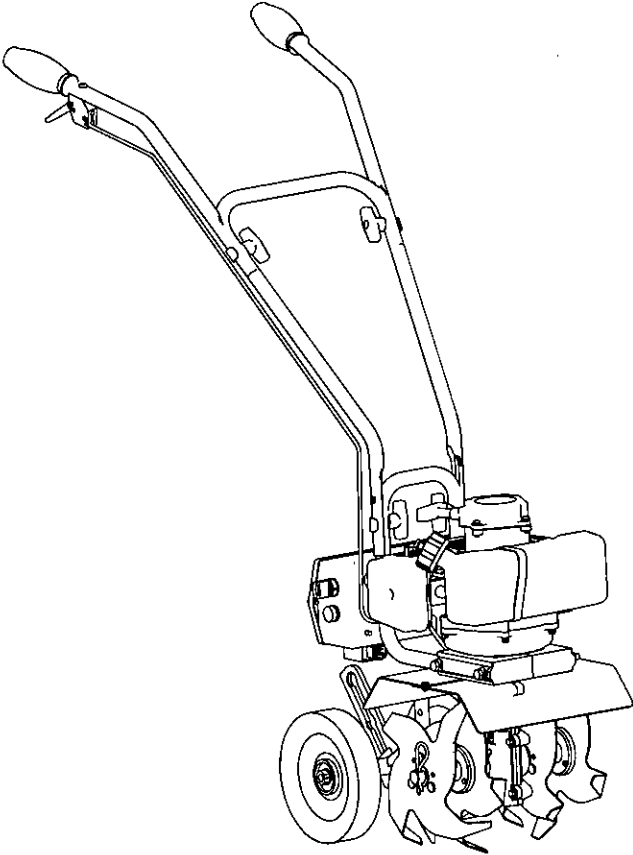


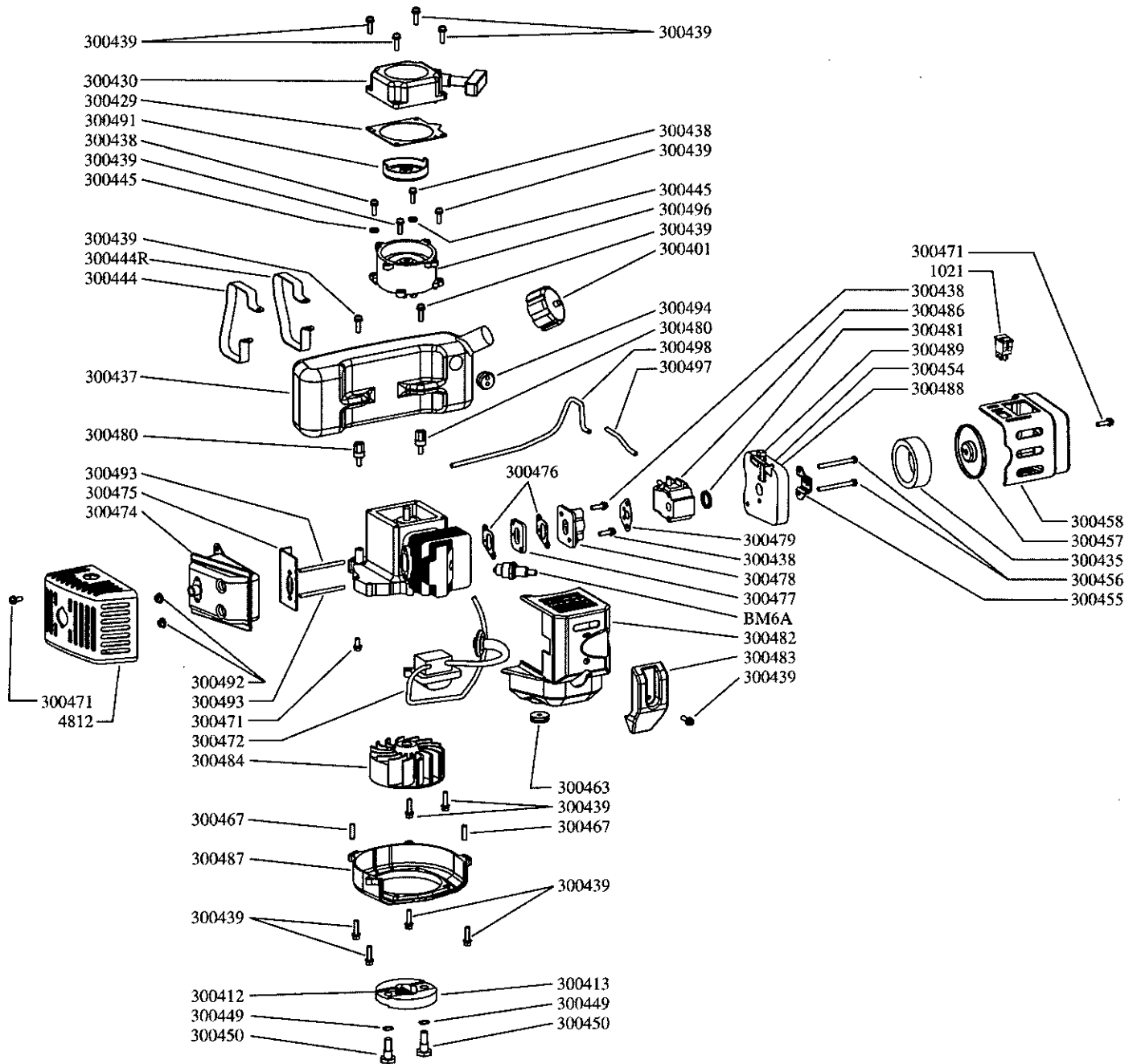


**OPERATING & PARTS MANUAL**

**MC43E/MC43  
Mini Cultivator**



OMMC43E/MC43 Rev. 1/20/06  
©Copyright 2006 Ardisam, Inc.  
All Rights Reserved. Printed in USA.



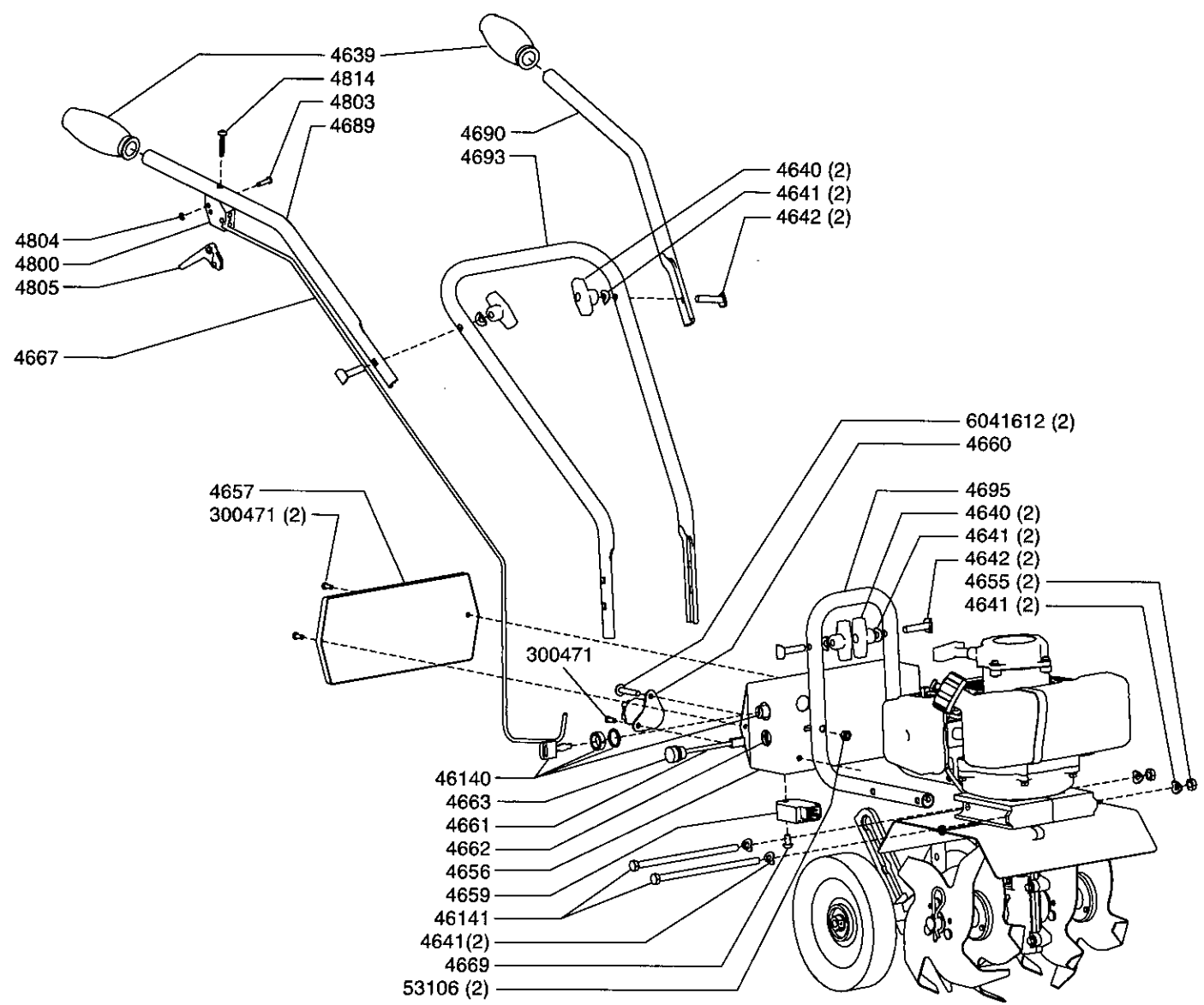


# MC43E/MC43 ENGINE PARTS LIST

MINIMUM ORDER ..... \$10.00

<u>Part #</u>	<u>Description</u>	<u>Qty.</u>	<u>Part #</u>	<u>Description</u>	<u>Qty.</u>
4812	MUFFLER COVER, METAL .....	1	300472	IGNITION COIL .....	1
300401	FUEL TANK CAP, MANUAL VENTING .....	1	300474	CATALYTIC CONVERTER MUFFLER .....	1
300412	CLUTCH SPRING .....	1	300475	MUFFLER GASKET .....	1
300413	CLUTCH ROTOR ASSEMBLY .....	1	300476	INTAKE GASKET .....	2
300429	RECOIL PLATE .....	1	300477	HEAT DISK .....	1
300430	RECOIL ASSEMBLY .....	1	300478	INTAKE WINDPIPE .....	1
300435	AIR FILTER .....	1	300479	CARBURETOR GASKET .....	1
300437	FUEL TANK .....	1	300480	FUEL TANK THREADED SPACER .....	2
300438	BOLT W/WASHER, M5 X 25MM .....	4	300481	O-RING .....	1
300439	BOLT W/WASHER, M5 X 18MM .....	15	300482	ENGINE SHROUD .....	1
300444	FUEL TANK SUPPORT, LEFT SIDE .....	1	300483	ENGINE SHROUD COVER .....	1
300444R	FUEL TANK SUPPORT, RIGHT SIDE .....	1	300484	MAGNETO FLYWHEEL .....	1
300445	WASHER, M5 .....	2	300486	CARBURETOR .....	1
300449	SPRING WASHER .....	2	300487	ENGINE MOUNTING COVER .....	1
300450	SHOULDER BOLT .....	2	300488	CHOKE .....	1
300454	INTAKE COVER .....	1	300489	CHOKE LEVER .....	1
300455	INTAKE COVER ADAPTER PLATE .....	1	300491	RECOIL CLUTCH .....	1
300456	BOLT, M5 X 50MM .....	2	300492	NUT, M6 .....	2
300457	AIR FILTER COVER .....	1	300493	STUD BOLT, M6 X 62MM .....	2
300458	INTAKE COVER .....	1	300494	FUEL TANK GROMMET, DOUBLE HOLE .....	1
300463	ENGINE SHROUD GROMMET .....	1	300496	STARTER MOTOR .....	1
300467	LOCATING PIN .....	2	300497	PRIMER LINE CUT TO 4" .....	1
300470	FUEL LINE HOSE & FILTER .....	1	300498	FUEL LINE CUT TO 9" .....	1
300471	BOLT, M5 X 12MM .....	3	BM6A	SPARK PLUG .....	1

# Earthquake MC43E/MC43 HANDLEBAR PARTS LIST



Part #	Description	Qty.	Part #	Description	Qty.
300471	BOLT, M5 X 12MM MC43E .....	3	4662	NUT, CHARGER PIGTAIL MC43E .....	1
46122	BATTERY 12V 7A MC43E .....	1	4663	CAP, CHARGER PIGTAIL MC43E .....	1
46140	KEY SWITCH MC43E .....	1	4667	THROTTLE CABLE .....	1
46141	BOLT M8 X 1.25 X 160MM HEX HD .....	2	4669	BOLT, M6 X 1MM X 12MM PAN HD MC43E .....	1
4639	HANDLE GRIP .....	2	4681	BATTERY CHARGER, (NOT SHOWN) MC43E .....	1
4640	NUT, T-HANDLE .....	4	4689	HANDLEBAR UPPER RIGHT .....	1
4641	WASHER .....	8	4690	HANDLEBAR UPPER LEFT .....	1
4642	BOLT, HANDLE CLAMP .....	4	4693	HANDLEBAR MIDDLE .....	1
4643	ENGINE & TRANSMISSION ASSEMBLY .....	1	4695	HANDLEBAR LOWER .....	1
4650	NUT, M6 FLANGED HEX HD .....	2	4800	THROTTLE HOUSING .....	1
4655	NUT, M8 HEX HD .....	2	4803	CLEVIS PIN, .188 DIA. GROOVED .....	1
4656	BATTERY BOX MC43E .....	1	4804	E-CLIP, RETAINING RING FOR .188 PIN .....	1
4657	COVER, BATTERY BOX MC43E .....	1	4805	THROTTLE TRIGGER, LONG THROW .....	1
4659	VOLTAGE RECTIFIER MC43E .....	1	4814	BOLT, 10-24 X 1-1/4" PHILLIPS TRUSS HD .....	1
4660	SOLENOID MC43E .....	1	53106	NUT, 1/4-20 BI-WAY LOCK MC43E .....	2
4661	CHARGER PIGTAIL MC43E .....	1	6041612	SCREW, 1/4-20 X 1-1/2" PH TRUSS HD MC43E .....	2