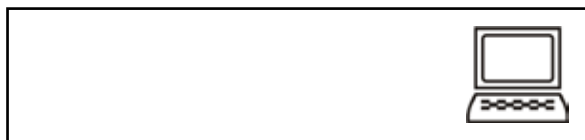


OPERATION AND PARTS MANUAL



MODEL MB25HD REBAR BENDER (PORTABLE ELECTRIC)

Revision #0 (04/05/10)



THIS MANUAL MUST ACCOMPANY THE EQUIPMENT AT ALL TIMES.

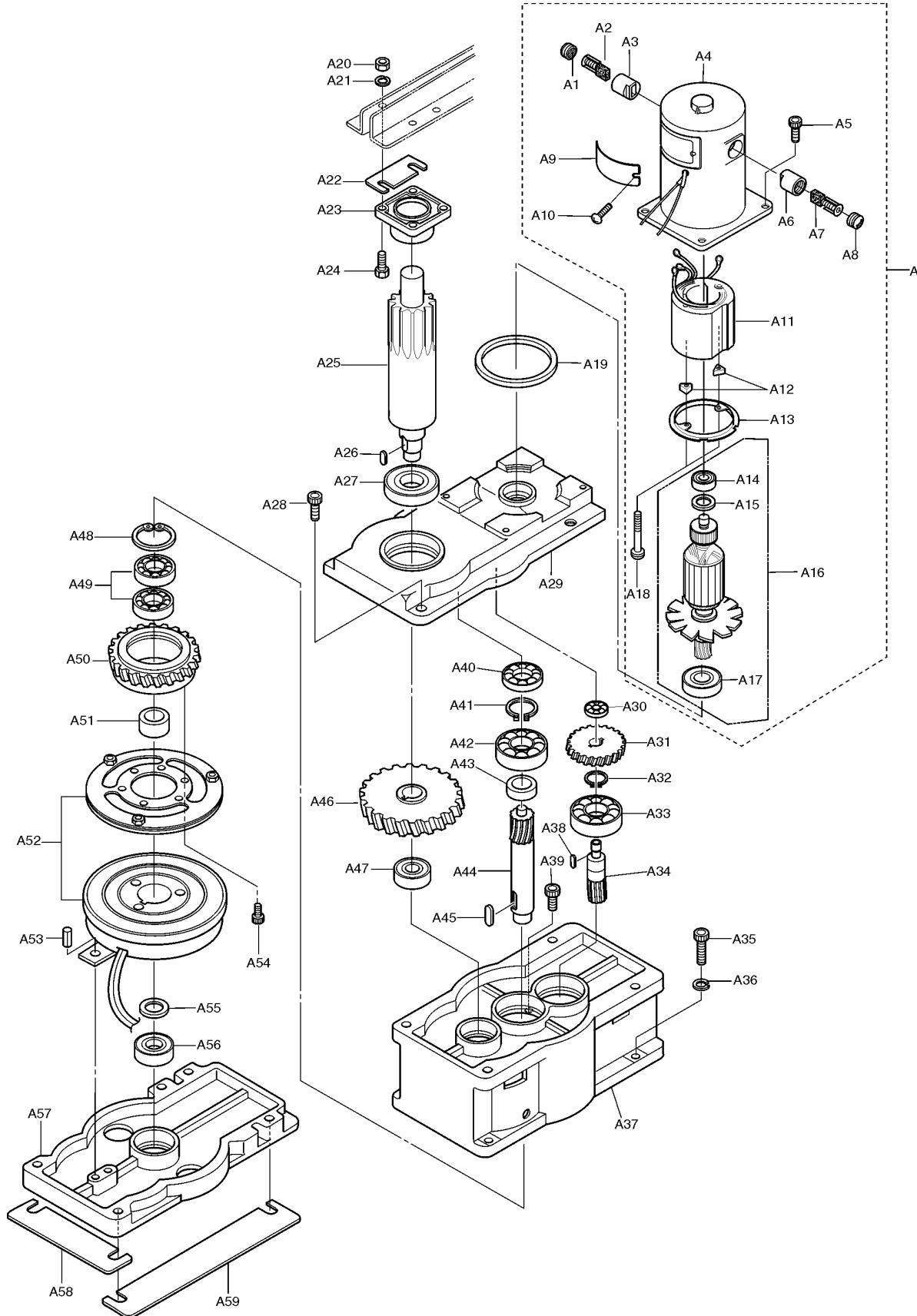
SUGGESTED SPARE PARTS

MB25HD REBAR BENDER

1 to 3 Units

Qty.	P/N	Description
2.....	M5CBC65D00HOLDER CAP
2.....	M5CBS65D00.....	CARBON BRUSH

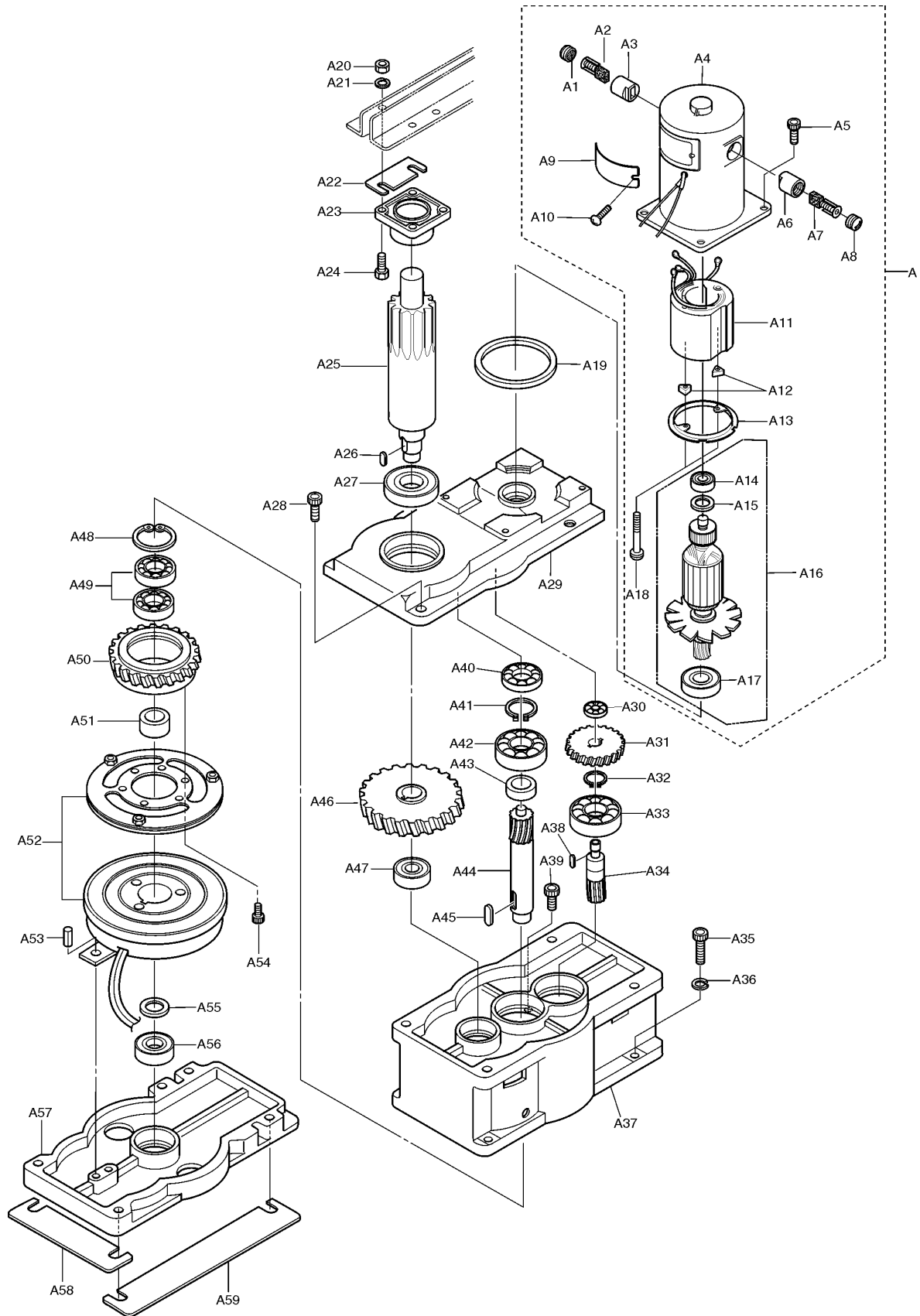
MB25HD — CASE ASSEMBLY



MB25HD — CASE ASSEMBLY

<u>NO.</u>	<u>PART NO.</u>	<u>PART NAME</u>	<u>QTY.</u>	<u>REMARKS</u>
A	M5M0115V00	MOTOR ASSY., 115V	1	INCLUDES ITEMS W/#
A1#	M5CBC65D00	CARBON BRUSH CAP	1	
A2#	M5CBS65D00	CARBON BRUSH	1	INCLUDES ITEM A7 (SET)
A3#	6070020	CARBON BRUSH HOLDER	1	
A4#	M5T2059400	MOTOR CASE	1	
A5#	M5HB0520M0	BOLT HB 5X20	4	
A6#	6070020	CARBON BRUSH HOLDER	1	
A7#	M5CBS65D00	CARBON BRUSH	1	INCLUDES ITEM A2 (SET)
A8#	M5CBC65D00	CARBON BRUSH CAP	1	
A9#	C5T4225600	HALF OPEN COVER	1	
A10#	H9XR0410M0	BOLT XR 4X6	2	
A11#	M5STR65D00	STATOR, 115V	1	
A12#	6077110	TRIANGLE WASHER	2	
A13#	6077070	FAN GUIDE	1	
A14#%	M5B608ZZ00	BALL BEARING 608ZZNC	1	
A15#%	M5T4248200	WASHER, ARMATURE	1	
A16#	M5AM115V00	ARMATURE, 115V	1	INCLUDES ITEMS W/%
A17#%	M5B6201Z00	BALL BEARING 6201ZZNC	1	
A18#	M5XR051100	BOLT W/LOCK WASHER XR 5X110	4	
A19	M5T4230400	MOTOR RING	1	
A20	M5NM101M00	NUT NM10	4	
A21	M5SW1001M0	WASHER SW10	4	
A22	3300080	LINER (PILLOW BLOCK)	2	
A23	M5UCF20500	PILLOW BLOCK UCF205	1	
A24	M5SB1030M0	BOLT SB 10X35	4	
A25	3600380	SHAFT WITH GEAR	1	
A26	3701200	KEY FOR SHAFT WITH GEAR	1	
A27	M5B6006Z00	BALL BEARING 6006Z	1	
A28	C5HB0830M0	BOLT HB 8X30	4	
A29	M5T2073300	MOTOR BASE	1	
A30	H9B6080000	BALL BEARING 608	1	
A31	C5T4217900	GEAR NO.2	1	
A32	M5SNR20S00	STOP RING S20	1	
A33	M5B6204Z00	BALL BEARING 6204Z	1	
A34	M5T4329800	GEAR NO.3	1	
A35	M5HB084500	BOLT HB 8X50	4	
A36	C5SW0801M0	WASHER SW8	4	
A37	M5T2073400	GEAR CASE	1	
A38	M5K0404060	KEY FOR GEAR NO.3	1	
A39	M5HB082500	BOLT HB 8X25	1	
A40	C5B6202000	BALL BEARING 6202	1	

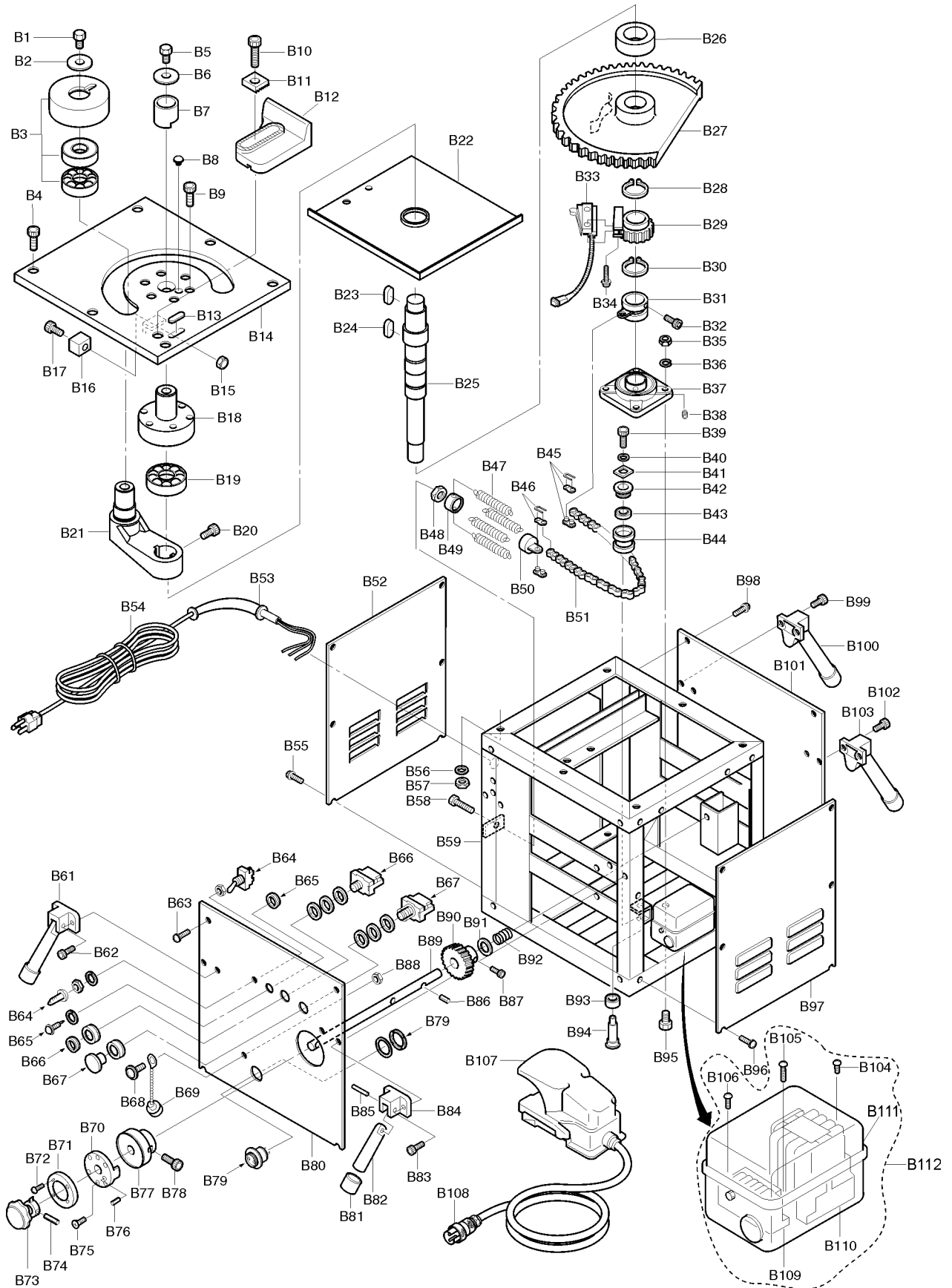
MB25HD — CASE ASSEMBLY (CONTINUED)



MB25HD — CASE ASSEMBLY (CONTINUED)

<u>NO.</u>	<u>PART NO.</u>	<u>PART NAME</u>	<u>QTY.</u>	<u>REMARKS</u>
A41	7410040	STOP RING S24	1	
A42	M5B6205Z00	BALL BEARING 6205Z	1	
A43	3503500	COLLAR NO.1 FOR GEAR NO.5	1	
A44	3601890	GEAR NO.5	1	
A45	M5K0707300	KEY FOR GEAR NO.5	1	
A46	3602180	GEAR NO.6	1	
A47	M5B6004000	BALL BEARING 6004Z	1	
A48	M5SNR47H00	STOP RING H47	1	
A49	M5B6005Z00	BALL BEARING 6005Z	2	
A50	M5T4330000	GEAR NO.4	1	
A51	M5T4329600	COLLAR NO.2 (CLUTCH)	1	
A52	M5CLMMC500	MAGNET CLUTCH (MMC-5)	1	
A53	M5SRP05260	SPRING PIN SRP5530	1	
A54	7513000	BOLT HB 6X10	6	
A55	M5T4336300	LINER B	1	
A56	M5B6004000	BALL BEARING 6004Z	1	
A57	M5T2073500	GEAR CASE COVER	1	
A58	3300100	LINER S (GEAR CASE COVER)	2	
A59	3300090	LINER L (GEAR CASE COVER)	2	

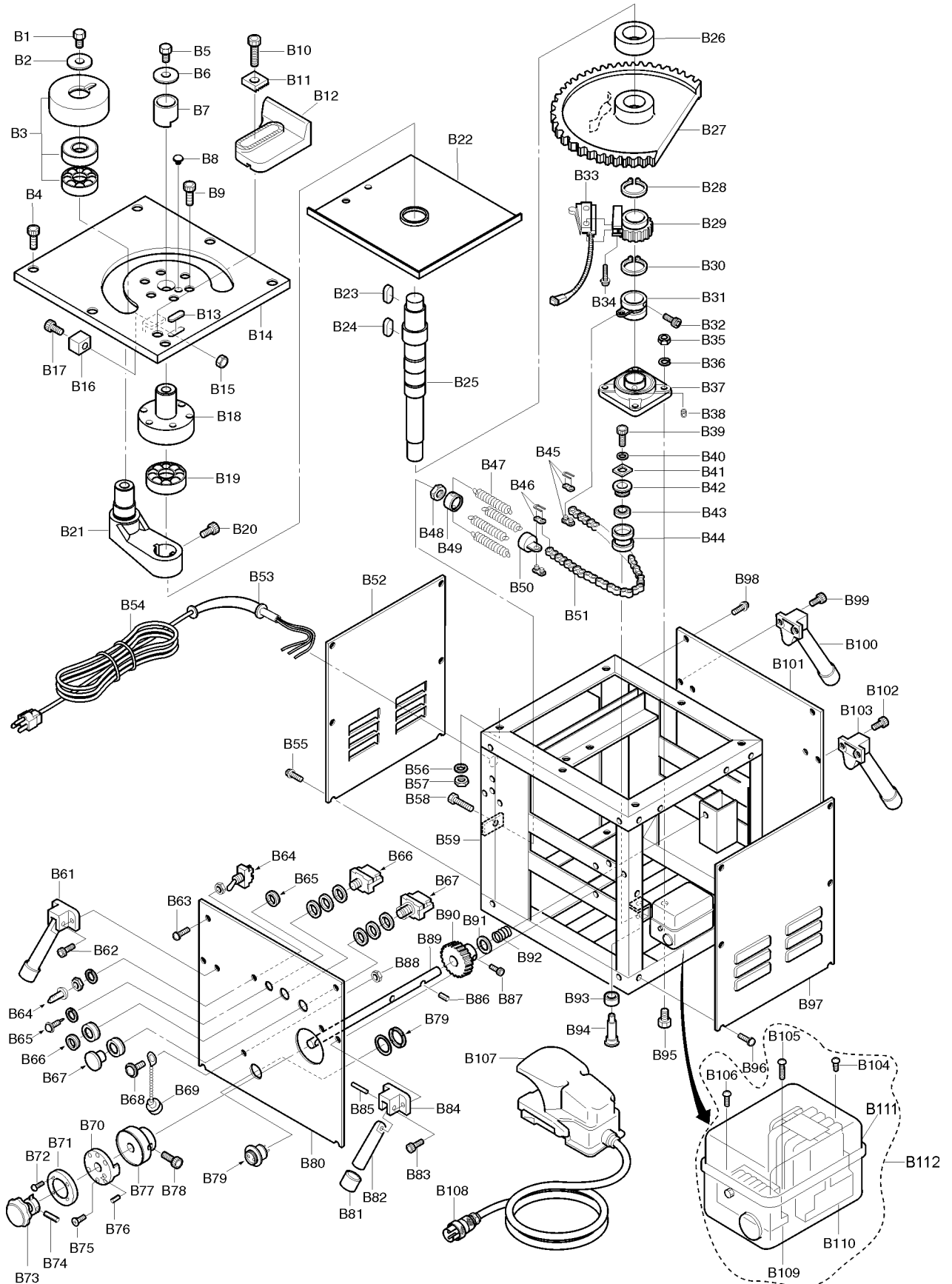
MB25HD — HOUSING ASSEMBLY



MB25HD — HOUSING ASSEMBLY

<u>NO.</u>	<u>PART NO.</u>	<u>PART NAME</u>	<u>QTY.</u>	<u>REMARKS</u>
B1	M5SB122000	BOLT SB12520	1	
B2	M5T4273800	WASHER A	1	
B3	9000850	ROLLER NO.10 (ø168)	1OPTION
B3	9000870	ROLLER NO.13 (ø154)	1OPTION
B3	9000840	ROLLER NO.16 (ø138)	1	
B3	9000850	ROLLER NO.19 (ø92)	1	
B3	9000880	ROLLER NO. 22 (ø72).....	1OPTION
B3	3150570	ROLLER NO. 25 (ø51)	1	
B4	014212030	BOLT, 12X30	1	
B5	012012020	BOLT, 12X20	1	
B6	M5T4273800	WASHER A	1	
B7	3505750	COLLAR NO.13 (ø46)	1	
B7	3505740	COLLAR NO.16 (ø56)	1	
B7	3505730	COLLAR NO.19 (ø95)	1	
B7	3505720	COLLAR NO.22 (ø110)	1	
B7	9000890	COLLAR NO.25 (ø125)	1	
B8	M5T4266000	PIN	1	
B9	M5HB102500	BOLT HB 10X25	6	
B10	M5HB205000	BOLT HB 20X50	1	
B11	M5T4267800	WASHER B	1	
B12	M5T42640N1	STOPPER	1	
B13	M5K1008500	KEY FOR STOPPER	1	
B14	M5T4331400	TABLE	1	
B15	M5NM080100	NUT NM8	1	
B16	M5T4269700	SHOCK ABSORBER	1	
B17	C5HB0830M0	BOLT HB8530	1	
B18	M5T4273600	ATTACH PIN	1	
B19	M5B6308Z00	BALL BEARING 6308Z	1	
B20	C5HB0830M0	BOLT HB8530	1	
B21	9000230	ARM	1	
B22	M5T4331900	DUST PLATE	1	
B23	M5K1208440	KEY FOR GEAR WHEEL	1	
B24	M5K1208440	KEY FOR GEAR WHEEL	1	
B25	M5T43289N1	OUTPUT SHAFT	1	
B26	M5T4338100	BUSHING	1	
B27	9000740	GEAR WHEEL	1	
B28	M5SNR45S00	STOP RING S45	1	
B29	M5T43308N2	SPIRAL GEAR B	1	
B30	M5SNR40S00	STOP RING S40	1	
B31	M5T44829N1	CHAIN FITTING COLLAR	1	

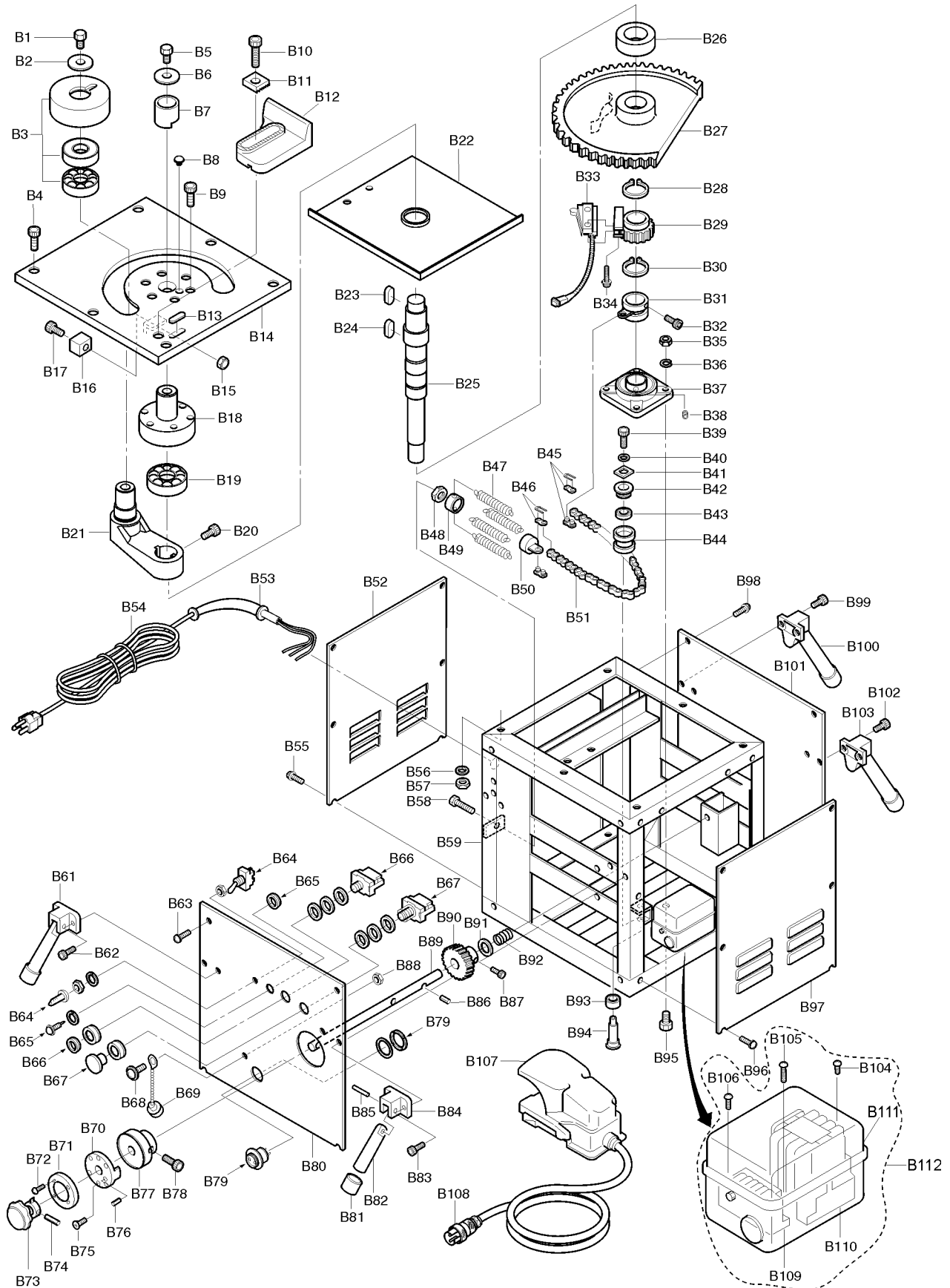
MB25HD — HOUSING ASSEMBLY (CONTINUED)



MB25HD — HOUSING ASSEMBLY (CONTINUED)

<u>NO.</u>	<u>PART NO.</u>	<u>PART NAME</u>	<u>QTY.</u>	<u>REMARKS</u>
B32	M5HB082500	BOLT HB8525	1	
B33	M5AZ714100	LIMIT SWITCH	1	
B34	7538140	BOLT W/WASHER, LOCK XR4530	2	
B35	M5NM120100	NUT NM12-1	4	
B36	M5SW1201M0	WASHER SW12	4	
B37	M5UCF20700	PILLOW BLOCK UCF-207	1	
B38	7521000	BOLT HS858	2	
B39	7513010	BOLT HB6512	1	
B40	H9SW060100	WASHER SW6	1	
B41	7651000	PLAIN WASHER M6	1	
B42	M5T4464900	BEARING WASHER	1	
B43	7101040	BALL BEARING 6002Z	1	
B44	M5T44598N1	CHAIN ROLLER	1	
B45	6600100	JOINT LINK SET	1	
B46	6600100	JOINT LINK SET	1	
B47	M5T4484000	RETURN SPRING C	4	
B48	7700100	NUT NM12-3	1	
B49	M5T4481200	RETURN SPRING FITTING A	1	
B50	M5T4481300	RETURN SPRING FITTING B	1	
B51	M5T4484500	ROLLER CHAIN B	1	
B52	M5T4332800	PANEL B	1	
B53	H9Y8411000	RUBBER BUSHING	1	
B54	H9EC115V00	CORD WITH PLUG (UL)	1	
B55	M5XR0410M0	BOLT W/WASHER, LOCK XR4510	6	
B56	M5SW1201M0	WASHER SW12	6	
B57	M5NM120100	NUT NM12	6	
B58	M5SB127000	BOLT SB12570	1	
B59	M5T1048000	FRAME	1	
B60	8103030	TOOL BOX	1	
B61	90003000	HANDLE SET	1	
B62	C5HB0830M0	BOLT HB8530	2	
B63	M5XR0410M0	BOLT W/WASHER, LOCK XR4510	4	
B64	C5ST52K000	TOGGLE SWITCH	1	
B65	M5BN564000	PILOT LAMP	1	
B66	M518331N00	START SWITCH	1	
B67	M518920N00	EMERGENCY STOP SWITCH	1	
B68	7538000	BOLT W/WASHER, LOCK XR358	1	
B69	M5HS25RC00	FOOT SWITCH CONNECTOR CAP	1	
B70	3503600	ANGLE SELECT GUIDE A	1	
B71	M5T4334200	ANGLE DIAL PLATE	1	

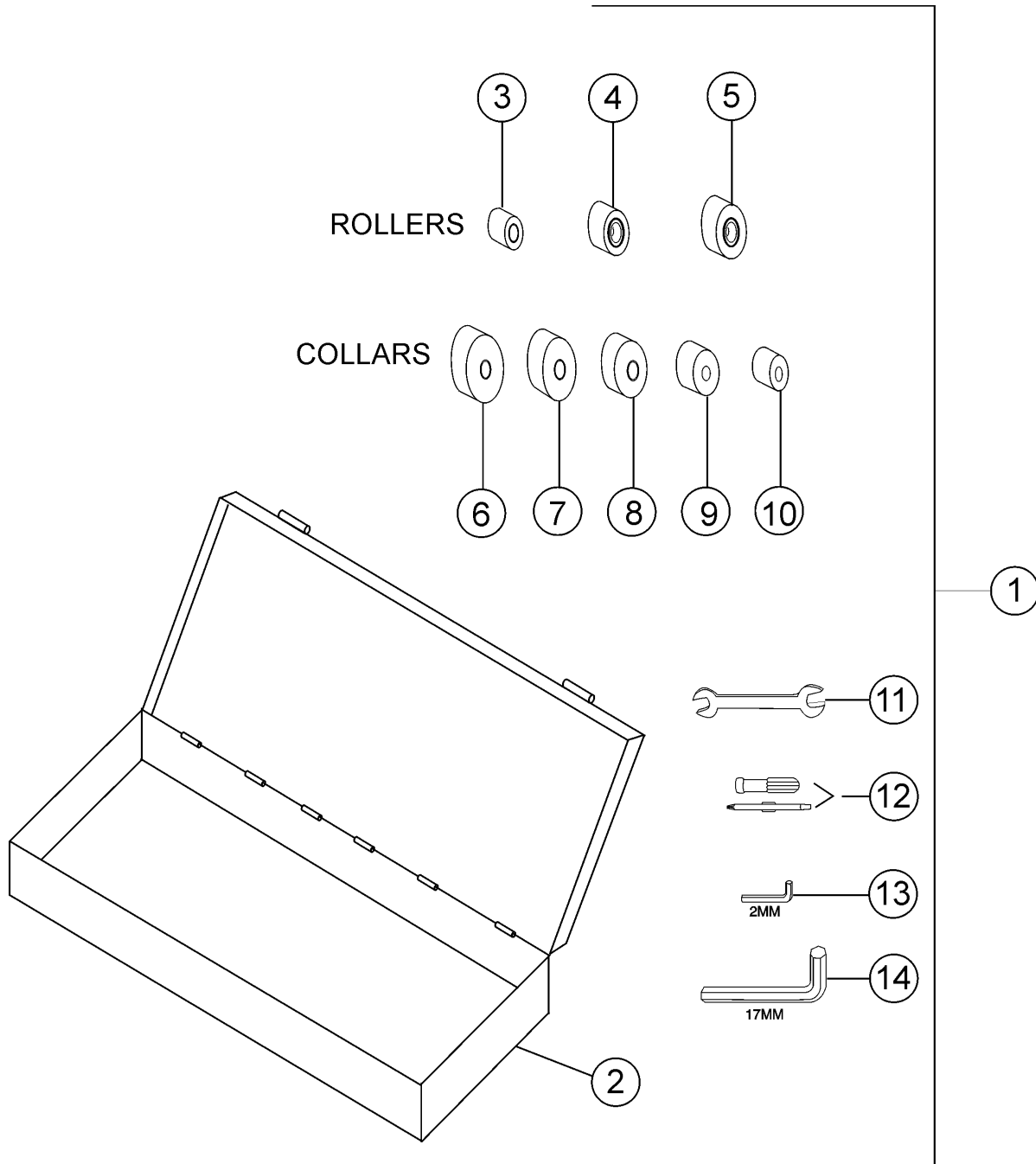
MB25HD — HOUSING ASSEMBLY (CONTINUED)



MB25HD — HOUSING ASSEMBLY (CONTINUED)

<u>NO.</u>	<u>PART NO.</u>	<u>PART NAME</u>	<u>QTY.</u>	<u>REMARKS</u>
B72	H9XR0410M0	BOLT XR456	4	
B73	M5T4328300	ANGLE SELECT KNOB	1	
B74	MSRP054000	SPRING PIN SRP5540	1	
B75	7540020	BOLT XF 5X15	2	
B76	7810040	SPRING PIN SRP 4X16	2	
B77	3503610	ANGLE SELECT GUIDE B	1	
B78	M5HB082500	BOLT HB 8X25	1	
B79	M5SCNH3002	FOOT SWITCH CONNECTOR F	1	
B80	3302320	PANEL A	1	
B81	M5HDLCP272	RUBBER CAP (ø27.2)	1	
B82	M5T4269000	HANDLE	1	
B83	C5HB0830M0	BOLT HB 8X30	2	
B84	M5T42272N1	HANDLE BRACKET	1	
B85	M5SRP10350	SPRING PIN SRP10X36 (STAINLESS)	1	
B86	M5SRP05260	SPRING PIN SRP 5X25	1	
B87	M5HB082000	BOLT HB 8X20	1	
B88	7700020	NUT NM3	1	
B89	M5T43284N1	ANGLE SELECT BAR	1	
B90	M5T4330700	SPIRAL GEAR A	1	
B91	M5WM160100	WASHER WM16	1	
B92	M5T4328800	COIL SPRING	1	
B93	7101040	BALL BEARING 6002Z	1	
B94	M5T4459900	ROLLER SHAFT	1	
B95	M5SB123500	BOLT SB 12X35	4	
B96	M5XR0410M0	BOLT W/WASHER, LOCK XR4510	6	
B97	M5T4332800	PANEL B	1	
B98	M5XR0410M0	BOLT W/WASHER, LOCK XR4510	4	
B99	C5HB0830M0	BOLT HB 8X30	2	
B100	90003000	HANDLE SET	1	
B101	M5T4332900	PANEL C	1	
B102	C5HB0830M0	BOLT HB 8X30	2	
B103	90003000	HANDLE SET	1	
B104#	7538090	BOLT W/WASHER, LOCK XR 5X10	1	
B105#	7538160	BOLT W/WASHER, LOCK XR 5X25	1	
B106#	7538190	BOLT W/WASHER, LOCK XR 5X15	1	
B107	M5KOKUSFM1	FOOT SWITCH ASSEMBLY	1	
B108	M5SCH3002P	FOOT SWITCH CONNECTOR	1	
B109#	M5OPR10900	RECTIFIER	1	
B110#	6200410	MAGNET SWITCH	1	
B111#	M5MGSWBOX0	MAGNET SWITCH BOX	1	
B112	M5SK20ASSY	MAGNET SWITCH ASSEMBLY	1	INCLUDES ITEMS W/#

MB25HD — TOOL BOX AND TOOLS ASSEMBLY



MB25HD — TOOL BOX AND TOOLS ASSEMBLY

<u>NO.</u>	<u>PART NO.</u>	<u>PART NAME</u>	<u>QTY.</u>	<u>REMARKS</u>
1	9010060	TOOL BOX SET.....	1	INCLUDES ITEMS W/#
2*	8103030	TOOL BOX	1	
3	3150570	ROLLER NO. 25 (ø51)	1	
4	9000850	ROLLER NO.19 (ø92)	1	
5	9000840	ROLLER NO.16 (ø138)	1	
6	9000890	COLLAR NO.25 (ø125)	1	
7	3505720	COLLAR NO.22 (ø110)	1	
8	3505730	COLLAR NO.19 (ø95)	1	
9	3505740	COLLAR NO.16 (ø56)	1	
10	3505750	COLLAR NO.13 (ø46)	1	
11*	8201020	OPEN END WRENCH 17 X19 MM	1	
12*	8201510	SCREWDRIVER	1	
13*	8200020	ALLEN WRENCH M2	1	
14*	8200120	ALLEN WRENCH M17	1	

MB25HD — WIRING DIAGRAM

