



Professional
Floor Systems



SPARE PARTS LIST HTC 130

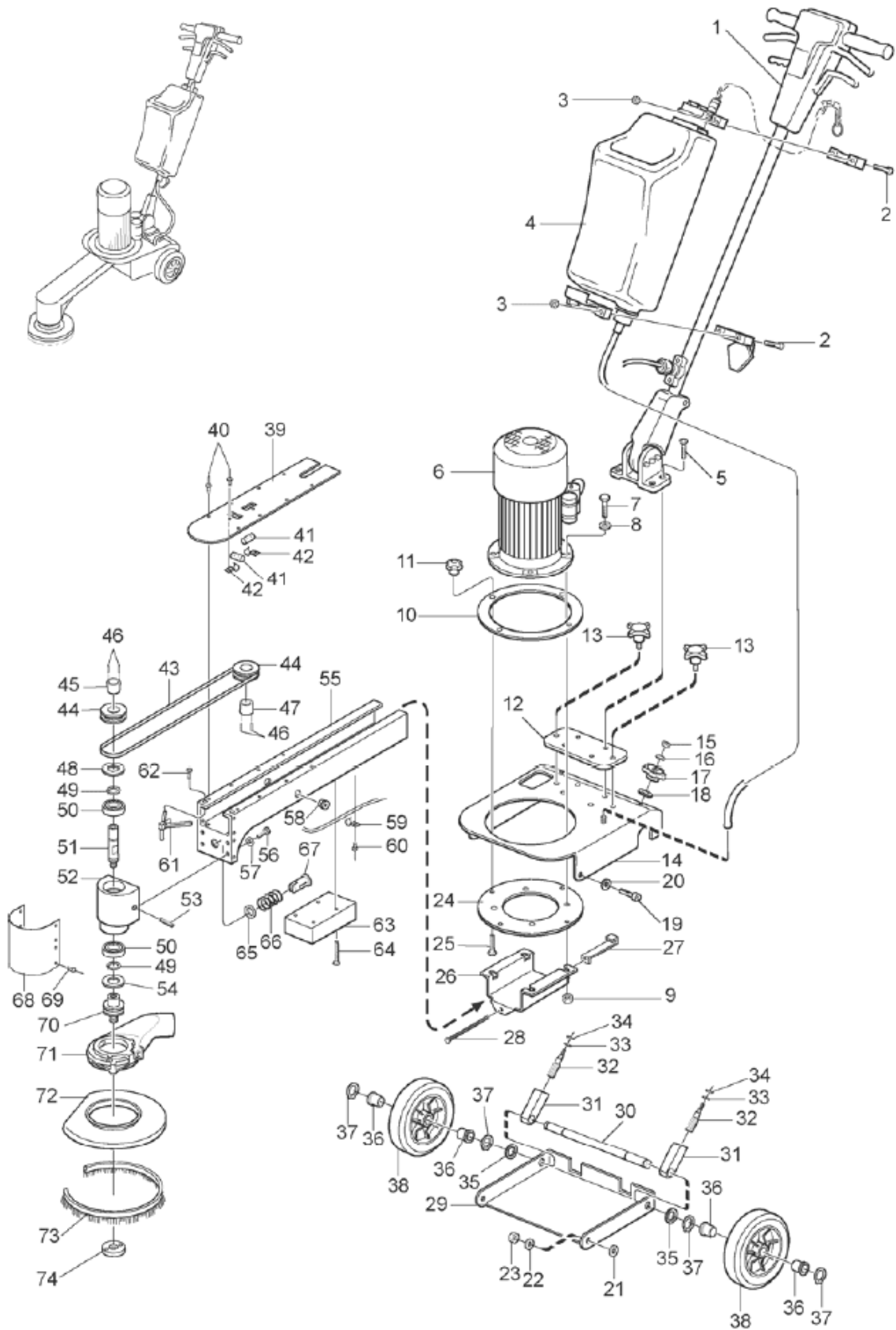


HTC Sweden AB
www.htc-sweden.com

Table of contents

HTC 130 Parts..... 2
HTC 130 Grind holder Polycord..... 5
HTC 130 Update 7

HTC 130 Parts



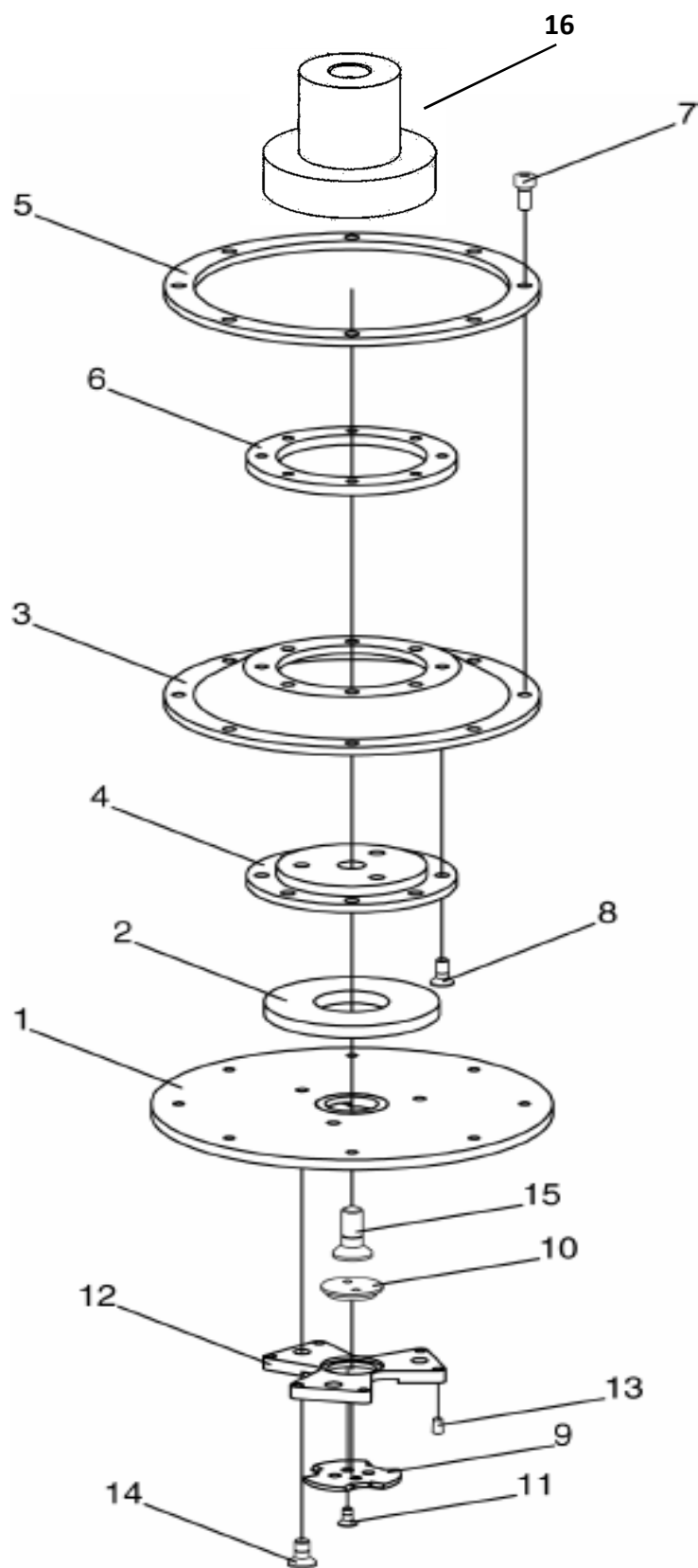
HTC 130 Parts

No.	Description	Part no	Qty
1	HANDLE	593390401	1
2	SCREW FOR WATER TANK	DISCONTINUED	4
3	NUT FOR WATER TANK	DISCONTINUED	4
4	WATER TANK	593397901	1
5	SCREW M8X20	593502801	4
6	MOTOR 2.2Kw	595801401	1
7	SCREW M10X30	593499701	4
8	WASHER M10	593499101	4
9	NUT M18	595675201	4
10	MOTOR RING UPPER	595803201	1
11	KNOB ARM ADJUSTMENT	593392101	3
12	HANDLE BRACKET	595806401	1
13	KNOB HANDLE BRACKET	595801901	2
14	CHASSIS	595802901	1
15	LOCKNUT M8	593499801	2
16	WASHER M8	593500401	2
17	KNOB WHEEL ADJUSTMENT	595804401	2
18	WASHER M12	593499401	2
19	SCREW M8X30	593499501	2
20	WASHER M8	593500401	2
21	WASHER M8	593500401	2
22	WASHER M8	593500401	2
23	LOCKNUT M8	593499801	2
24	MOTOR RING LOWER	595803301	1
25	TROLLEY BOLT M6X25	593500101	3
26	BRACKET GRINDING ARM	595803101	1
27	TENSIONER	595803501	1
28	SCREW M6x150	595676501	1
	LOCKNUT M6	593500001	1
	WASHER M6	593496001	1
29	WHEEL PLATE	595802801	1
30	WHEEL AXEL	595804501	1
31	ADJUST. HOUSING WHEEL	595802401	2
32	ADJUST. SCREW WHEEL	595802501	2
33	SPRING WASHER	595671601	2
34	SPRING WASHER	595671501	2
35	PS WASHER	595671401	2
36	BUSHING WHEEL	595804301	4
37	CIRCLIP SGA 18	593501401	4
38	WHEEL	595801501	2
39	COVER GRINDING ARM	595803701	1
40	POP RIVET	593500801	10
41	LEVEL	593390501	2
42	BRACKET JR12	593510301	2

HTC 130 Parts

No.	Description	Part no	Qty
43	V-BELT	593391401	1
44	V-BELT PULLEY DIS.50	593393701	1
	V-BELT PULLEY DIS.67	593393801	1
45	BUSHING TAPERLOCK 20	593391201	1
46	SCREW BUSHING TAPERLOCK	593501001	2
47	BUSHING TAPERLOCK 24	593391301	1
48	RADIAL SEAL UPPER	593393301	1
49	CIRCLIP SGA 20	310069	2
50	BALL BEARING	593393401	2
51	DRIVE SHAFT	593397501	1
52	BRACKET BALL BEARING	593397701	1
53	STOP SCREW M5X12	593501301	1
54	RADIAL SEAL LOWER	593393201	1
55	GRINDING ARM	595803801	1
56	SCREW M8X25	593499601	4
57	WASHER M8	593500401	4
58	PLUG GRINDING ARM	595801701	2
59	BRACKET JR12	593510301	1
60	POP RIVET	593500801	1
61	WATER FEED	593396101	1
62	SCREW M4X12	310206	1
63	WEIGHT 5KG	595804001	1
64	SCREW M6X50	595671701	4
65	WASHER	DISCONTINUED	
66	SPRING	593398401	1
67	PUSHBUTTON	593398301	1
68	SAFETY COVER	593397801	1
69	POP RIVET	593500801	8
70	HOLDER GRINDING WHEEL	593390101	1
	HOLDER GRINDING WHEEL 5/8"	593398001	1
71	VACCUM COVER	593391101	1
72A	RUBBER COVER 180mm	593390701	1
72B	RUBBER COVER 125mm	595803901	1
73A	BRUSH STRIP 180mm	593390801	1
73B	BRUSH STRIP 125mm	593625701	1
74	BRACKING NUT M14	593390601	1
72+73A	INSERT COVER COMPLETE 180mm LONG BRUSH	593431701	1
	INSERT COVER COMPLETE 180mm SHORT BRUSH	593390901	1
72+73B	INSERT COVER COMPLETE 125mm SHORT BRUSH	593391001	1
	GRIND HOLDER COMPLETE	593417801	1
	SLANGKOPPL M50-38P HTC 130	594991001	1
	SLANGKOPPL F50-50P HTC 130	594990901	1
	MOTOR CABLE	DISCONTINUED	
	SUCTION HOSE 40MM	110169	0.8m
	FLANGE NUT WRENCH	DISCONTINUED	
	MOTOR CABLE	DISCONTINUED	

HTC 130 Grind holder Polycord



HTC 130 Grind holder Polycord

No.	Description	Part no	Qty
	GRIND HOLDER COMPLETE	593417801	1
1	GRIND HOLDER LOWER	593402301	1
2	O-RING	593417701	1
3	POLYCORD GREEN	593404801	1
4	GRIND HOLDER UPPER	593403601	1
5	POLYCORD HOLDER OUTER	593402101	1
6	POLYCORD HOLDER INNER	593402001	1
7	SCREW M5X10	593505201	8
8	SCREW M5X12	593502101	8
	CROSS COMPLETE	593616301	1
9	CROSS DETAIL PART 2	DISCONTINUED	
10	CROSS DETAIL PART 3	DISCONTINUED	
11	SCREW M4X8	DISCONTINUED	
12	CROSS COMPLETE	593616301	1
13	PIN FOR CROSS	DISCONTINUED	
14	SCREW M6X12	593508501	3
15	SCREW M10X30 DRILLED	593504801	1
	CYLINDER PIN CP 6X16 H8	593507501	3
16	SHAFT GRIND HOLDER	593417501	1

HTC 130 Update

