

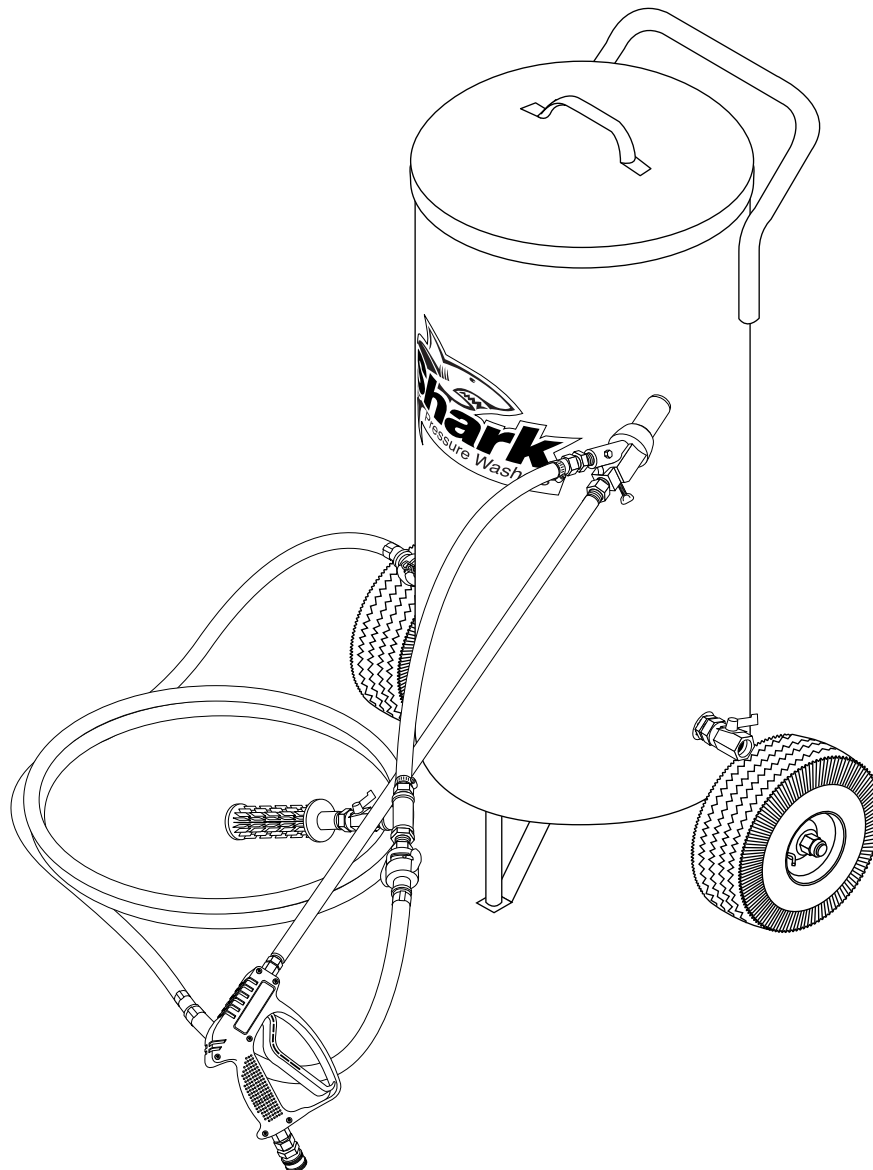


SANDBLAST SYSTEM

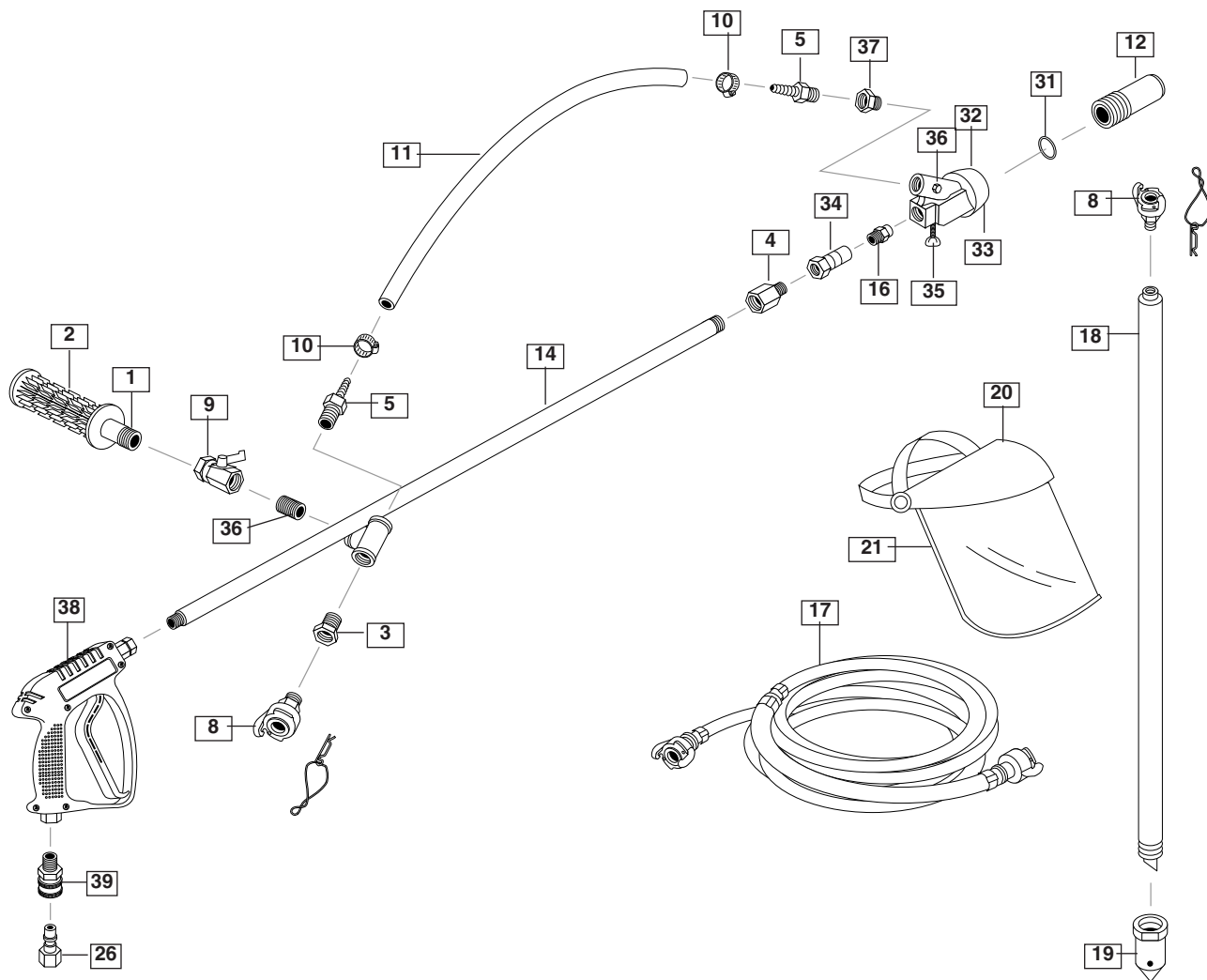
OPERATOR'S MANUAL

■ 4-011201S WITH POT - 2000/3500 PSI

■ 4-011211S WITH PROBE - 2000/3500 PSI



#4-011211 EXPLODED VIEW



#4-011201 & #4-011211 EXPLODED VIEW PARTS LIST

ITEM	PART NO.	DESCRIPTION	QTY	ITEM	PART NO.	DESCRIPTION	QTY
1	2-0016	Nipple, 3/4" x 5"	1	19	95-07161127	Cone, Sand Probe, Steel	1
2	2-01101	Grip, Handle (Waffle) 1"	1	20	2-9010	K-Head Gear	1
3	2-00681	Bushing, 1/2" x 3/8" Steel	1	21	2-9011	K-Face Shield	1
4	2-0069	Adapter, 1/4" x 3/8" Steel	2	22	11-0131	Label, Shark Logo	1
5	2-0088	Hose Barb, Steel, 3/4" x 1/2" MPT	2	23	2-0027	Elbow 3/8" Female, Pipe	1
6	95-07161010	Sand Pot, Less Fittings	1	24	2-00575	Elbow, 3/8" STL, Street, 45°	2
7	95-07161011	Lid, Complete, Sand Pot	1	25	2-0089	Push-on 3/8", Male, Pipe, Steel	2
8	2-21	Coupling, Air Hose, 3/8" Male w/String Clip	4	26	2-2006	Nipple, 3/8" x 3/8" NPT Fem	1
9	2-3003	Valve, Ball, SMC, Brass, 3/4"	1	27	2-11039	Connector, 3/8", Anchor	2
10	2-9004	Clamp, Screw, #12	2	28	2-1108	Push-on, 3/8", Male, Pipe	2
11	4-02190000	Hose, Sand, Spiralite, 3/4" /in. 20		29	4-02110000	Hose, 1/2" /ft. Push-on	2
12	4-2002	Nozzle, Sand, Carbide, Tungsten	1	30	4-0303	Wheel & Tire Assy 4" w/Tube	2
13	90-2004	Nut, 5/8" Jam, ESNA, NF	2	31	2-0124	Gasket, Rubber	1
14	95-07161125	Wand, Sand, Less Fittings	1	32	89-8103131200	Sandblaster Head Assy., (includes items # 33, 34, 35, 36)	1
15	90-4005	Washer, 5/8" Flat, SAE	4	33	89-8103190400	Mixing Head Only	1
16	4-2015	Nozzle w/Brass Diffuser, 1/4" #61		34	89-8103190500	Tip Adaptor	1
	4-01406000	Nozzle Only, 1/4" MEG-0006	1	35	89-8103190800	Thumb Screw	1
	95-07161130	Diffuser, Only, Brass	1	36	2-1009	Nipple, Hex, 3/4"	1
17	4-02199925	Hose, Sand, Spiralite 115, 25 ft.	1	37	2-1081	Bushing, 3/4" x 1/2"	1
18	95-07161126	Probe, Sand, Less Fittings	1	38	4-01246	Gun, Spray	1
				39	2-2003	Coupler, 3/8" Male, Brass	1