

Starting Serial No. 1001

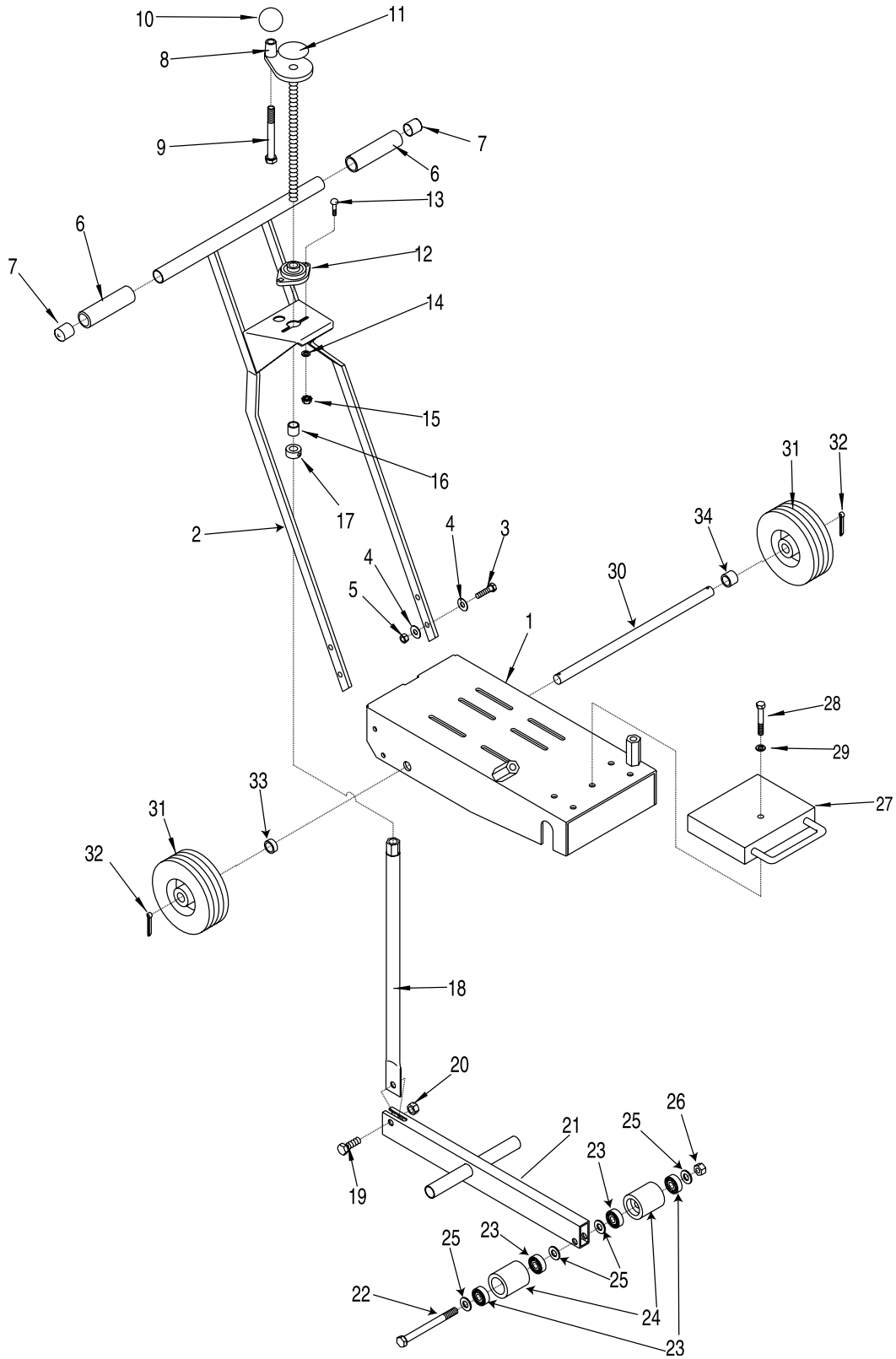
PARTS LIST MANUAL

Model SK - 10



**Gasoline Powered Concrete/Asphalt Saw
Part No. 35300**

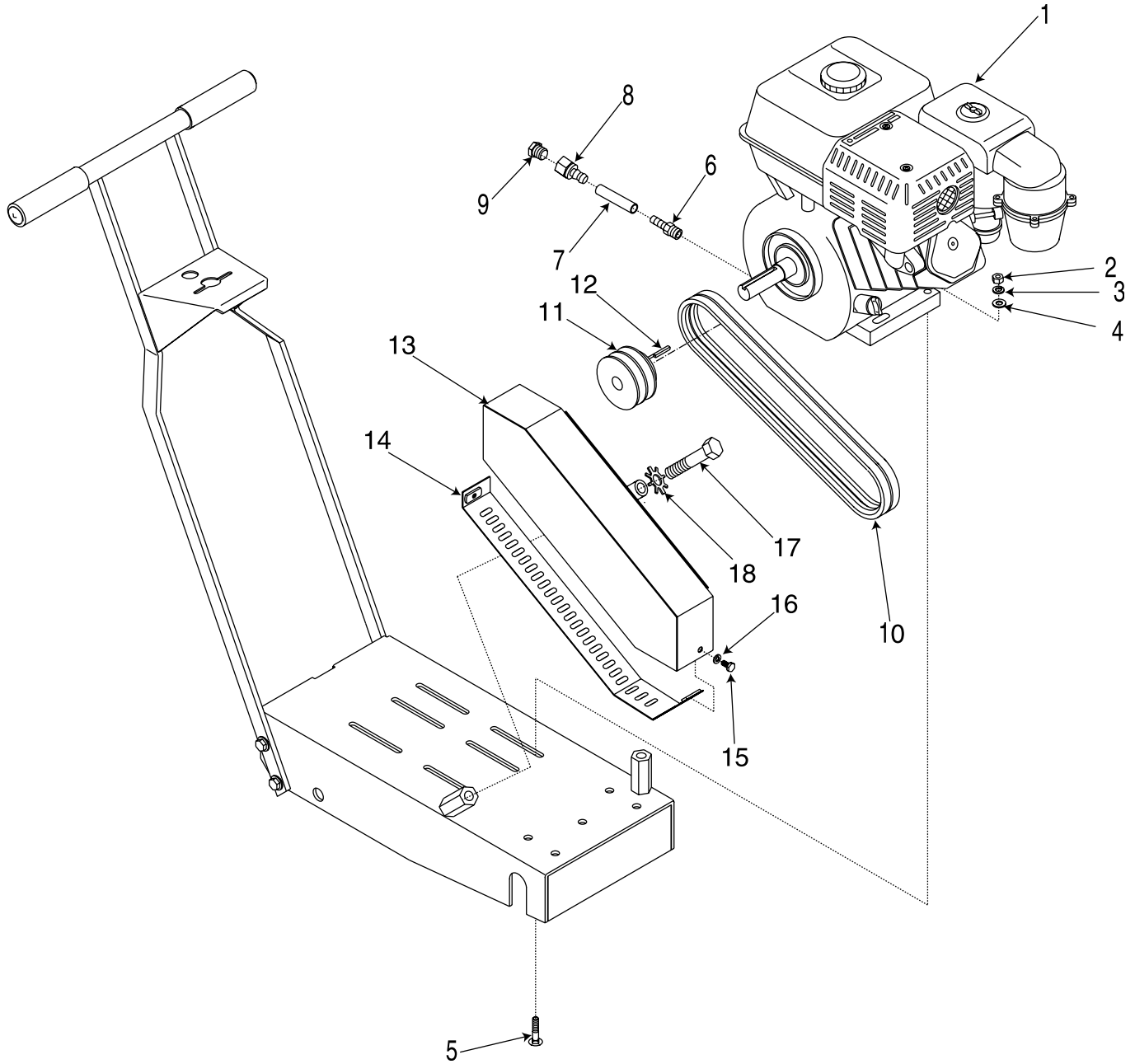
ILLUSTRATION 1: FRAME ASSEMBLY GROUPING



PARTS LISTING - ILLUSTRATION 1: FRAME ASSEMBLY GROUPING			
ITEM #	PART #	DESCRIPTION	QTY.
1	52101	MAIN FRAME	1
2	52102	HANDLE BAR	1
3	10021	SCREW, CAP 3/8-24 x 1	4
4	10025	WASHER, FLAT 3/8	8
5	10004	NUT, LOCK 3/8-24	4
6	61067	GRIP, FOAM 7/8" ID x 5" L	2
7	C10598	PLUG, CAP 1"	2
8	80008	HANDWHEEL, SMALL w/ 5/8-11 x 12" ROD	1
9	10386	SCREW, CAP 1/2-13 x 4-1/2	1
10	10104	KNOB, BALL 1-7/8" DIA. w/ 1/2-13 THD.	1
11	80007	DECAL, CUT CONTROL- UP/DOWN (SM.RND.)	1
12	80009	BEARING, BALL 5/8" 2 HOLE FLANGE	1
13	10412	BOLT, CARRIAGE 1/4-20 x 1	2
14	10602	WASHER, FLAT 1/4	2
15	10861	NUT, KEPS 1/4-20	2
16	55010	SPACER, HANDWHEEL 5/8" I.D. x 3/4" L	1
17	10096	COLLAR, LOCKING 5/8" ID	1
18	52106	LINKAGE, LOWER CONTROL	1
19	10308	SCREW, CAP 1/2-20 x 1-1/2	1
20	10072	NUT, LOCK 1/2-20	1
21	52104	FORK	1
22	64071	SCREW, CAP 1/2-13 x 5-1/2	1
23	3659	BEARING, RADIAL BALL 1/2 x 1-3/8 x 7/16	4
24	52111	WHEEL, POLY 2" DIA. x 2-5/16	2
25	10312	WASHER, FLAT 1/2	4
26	10407	NUT, LOCK 1/2-13	1
27	52112	WEIGHT BLOCK	1
28	10410	BOLT, TAP 3/8-16 x 2-1/2	1
29	10811	WASHER, LOCK 3/8	1
30	52105	AXLE SHAFT, REAR	1
31	80028	WHEEL 6 x 2 x 3/4" BRG.	2
32	10306	PIN, COTTER 3/16 x 1-1/4	2
33	52107	SPACER, REAR WHEEL, RIGHT 3/8	1
34	52108	SPACER, REAR WHEEL, LEFT 3/4	1

PARTS LISTING - ILLUSTRATION 2: ARBOR AND BLADE GUARD GROUPING			
ITEM #	PART #	DESCRIPTION	QTY.
1	52103	GUARD, BLADE 10"	1
2	10326	SCREW, CAP 5/8-11 x 3	1
3	10457	WASHER, LOCK, EXT. TOOTH 5/8	1
4	52117	FLAP, SPLASH 2 x 6	1
5	10018	SCREW, CAP 1/4-20 x 3/4	1
6	10602	WASHER, FLAT 1/4	2
7	10861	NUT, KEPS 1/4-20	1
8	42127	RIVET, NYLON PUSH-IN PANEL	2
9	52118	HOSE 1/4" ID x 5-1/2"L	2
10	99323	BARBED FITTING, "Y" 1/4 HOSE	1
11	52119	HOSE 1/4" ID x 3"L	1
12	42134	COUPLING, QUICK-DISCONNECT 1/4	1
13	52120	HOSE 1/4" ID x 9"L	1
14	10982	TIE, CABLE, BLACK NYLON 11-1/4"	1
15	10708	BARB, 1/4 HOSE x 1/8 MPT (BRASS)	1
16	10718	BUSHING, HEX 1/4 x 1/8 NPT (BRASS)	1
17	10711	VALVE, BALL 1/2 FPT	1
18	80021	CONN., SWIVEL FEM. 3/4 HOSE x 1/2 MPT	1
19	72061	BRACKET, WATER VALVE	1
20	10846	SCREW, SELF-TAP HEX WASHER, 1/4-20 x 1/2	2
21	52113	ARBOR SHAFT 1" DIA. x 12-1/4	1
22	50222	BEARING, BALL 1" TAP PILLOW BLOCK	2
23	52114	ARBOR BACKING PLATE 3-1/4	1
24	52115	ARBOR BLADE CAP 3-1/4	1
25	10178	PIN, DOWEL 3/8 x 1	1
26	10109	SHEAVE 3"OD x 2Gr. A x 1" BORE	1
27	40317	KEY 1/4 SQ. x 1-5/8L	1
28	10453	WASHER, LOCK INT. TOOTH 3/8	1
29	10021	SCREW, CAP 3/8-24 x 1	1
30	10907	SCREW, CAP 3/8-16 x 3/4	4
31	10811	WASHER, LOCK 3/8	4

ILLUSTRATION 3: ENGINE & BELT COVER GROUPING



PARTS LISTING - ILLUSTRATION 3 : ENGINE & BELT COVER GROUPING			
ITEM #	PART #	DESCRIPTION	QTY.
1	40387	ENGINE, HONDA 505HP GX160	1
2	10054	NUT 5/16-18	4
3	10801	WASHER, LOCK 5/16	4
4	10213	WASHER, FLAT 5/16	4
5	10817	BOLT, CARRIAGE 5/16-18 x 1-1/2	4
6	11541	BARB, PUSH-ON 3/8 HOSE x 10mm x 1.25	1
7	52121	HOSE, PUSH-ON 3/8" ID x 5-1/4"L	1
8	11544	BARB, PUSH-ON 3/8 HOSE x 1/4 FPT	1
9	10776	PIPE PLUG 1/4 NPT	1
10	10249	BELT AX-31	2
11	40005	SHEAVE 3" OD x 2Gr.A x 3/4" BORE	1
12	-----	KEY - INCL./ ENGINE	1
13	52109	COVER, BELT	1
14	52110	COVER BOTTOM, BELT	1
15	10834	SCREW, CAP 1/4-20 x 1/2	2
16	10038	WASHER, LOCK 1/4-20	2
17	10326	SCREW, CAP 5/8-11 x 3	1
18	10457	WASHER, LOCK, EXT. TOOTH 5/8	1