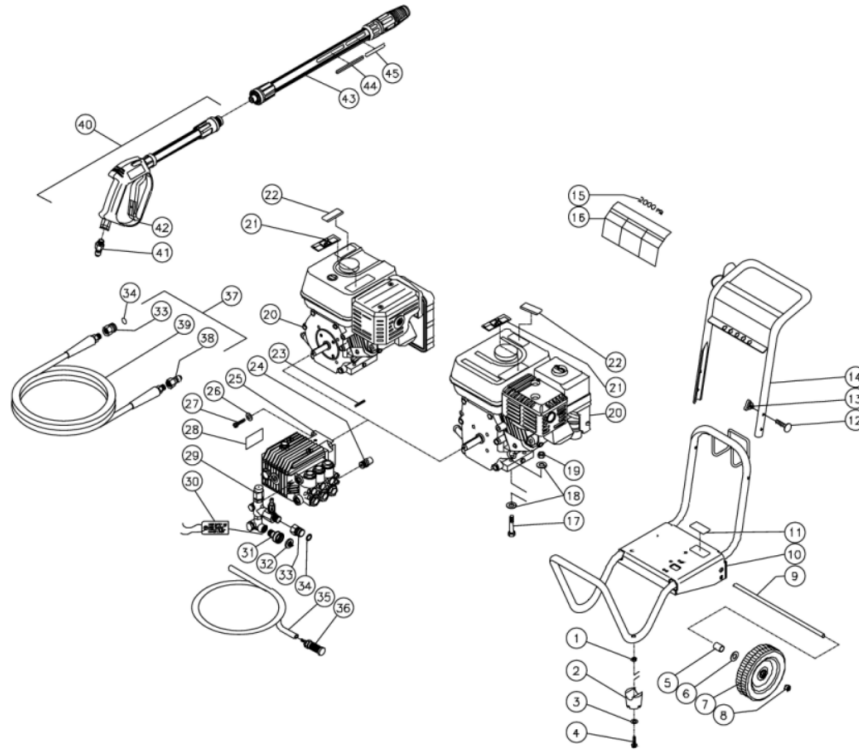




CD-2003-1MHC / CD-2003-1MHC (sn:312841-99999999)

FRAME ASSEMBLY



Id	Item #	Description	Quantity	Rev	Comments
1	30-0155	LOCKNUT	2		
2	14-0066	ISOLATOR	2		
3	28-0021	WASHER	2		
4	27-0019	BOLT	2		

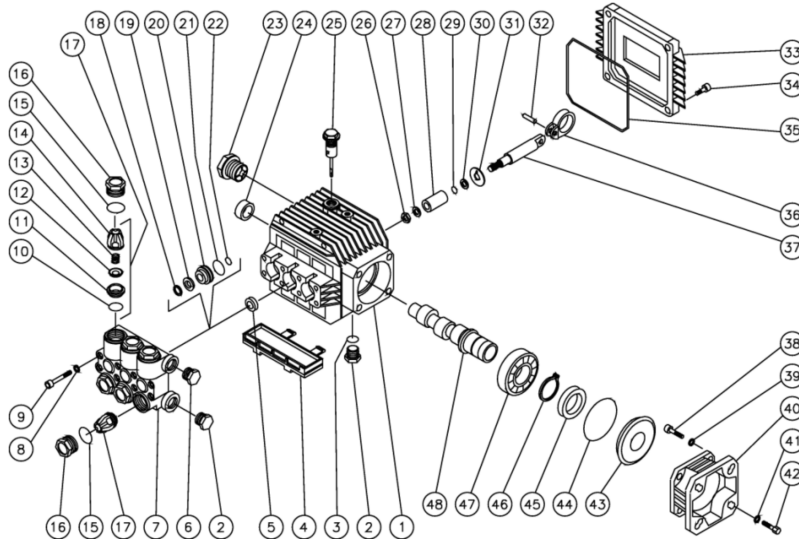
Id	Item #	Description	Quantity	Rev	Comments
5	20-0406A01	AXLE SPACER	2		
6	28-0006	WASHER	5		
7	14-0052	WHEEL	2		
8	33-0055	HUB CAP	2		
9	20-0517	AXLE	1		
10	5-0148A01	FRAME ASSEMBLY	1		
11	N/A	DECAL- DATA PLATE	1		
12	31-0051	CARRIAGE BOLT	2		
13	7-0107	KNOB	2		
14	7-0158A01	HANDLE ASSEMBLY	1		
15	34-0771	DECAL- DIE CUT 2000 PSI	1		
16	N/A Sep.	DECAL- WARNING/CAUTION/OPERATION (SEE 34-9014)	1		
17	27-0070	BOLT	4		
18	28-0003	WASHER	8		
19	30-0157	LOCKNUT	4		
20	1-0013	ENGINE- 5.5 H.P. HONDA (CD-2003-1MHC)	1		
20	1-0069	ENGINE- 6.0 H.P. BRIGGS & STRATTON VANGUARD (CD-2003-1MVC)	1		
21	N/A Sep.	DECAL- WARNING: MUFFLER HOT (SEE 34-9014)	1		
22	N/A Sep.	DECAL- CAUTION: ALLOW TO COOL (SEE 34-9014)	1		
24	22-0114	HEAT DUMP VALVE	1		
25	3-0090	PUMP	1		
26	29-0155	LOCKWASHER	4		
27	27-0846	BOLT W/PUMP	4		
28	N/A Sep.	DECAL- IMPORTANT: PUMP INSTRUCTIONS (SEE 34-9014)	1		
29	8-0494	UNLOADER	1		
30	34-0097	TAG- WATER SUPPLY INLET	1		
31	23-0096	GARDEN HOSE SWIVEL	1		
32	19-0001	FILTER	1		
33	17-0004	QUICK CONNECT SOCKET	2		
34	25-0123	O-RINGS	2		
35	15-0021	DETERGENT HOSE *(FOUR FEET REQUIRED)	1		
36	19-0050	DETERGENT STRAINER	1		
37	851-0007	PRESSURE HOSE ASSEMBLY (INCLUDES 33, 38-39)	1		
38	17-0006	QUICK CONNECT PLUG	1		
39	15-0003	PRESSURE HOSE	1		
40	851-0199	GUN/WAND ASSEMBLY (INCLUDES 41, 42)	1		
41	17-0005	QUICK CONNECT PLUG	1		
42	16-0167	GUN ASSEMBLY	1		
43	16-0172	VARIBALE NOZZLE	1		

Id	Item #	Description	Quantity	Rev Comments
44	N/A Sep.	DECAL- WARNING: RISK OF INJECTION (SEE 34-9014)	1	
45	N/A Sep.	DECAL- ADJUSTABLE NOZZLE HI/SOAP (SEE 34-9014)	1	
	34-9014	SAFETY DECAL KIT (INC. 16, 21-22, 28, 44-45)		
		*MUST ORDER IN ONE FOOT LENGTHS		



CD-2003-1MHC / CD-2003-1MHC (sn:312841-99999999)

PUMP ASSEMBLY



TORQUE SPECS.	
POSITION	FT-LBS
2	29.4
6	14.7
9	8.8
16	33.1
23	13.2
26	11.0
34	7.3
38	14.7
42	7.3

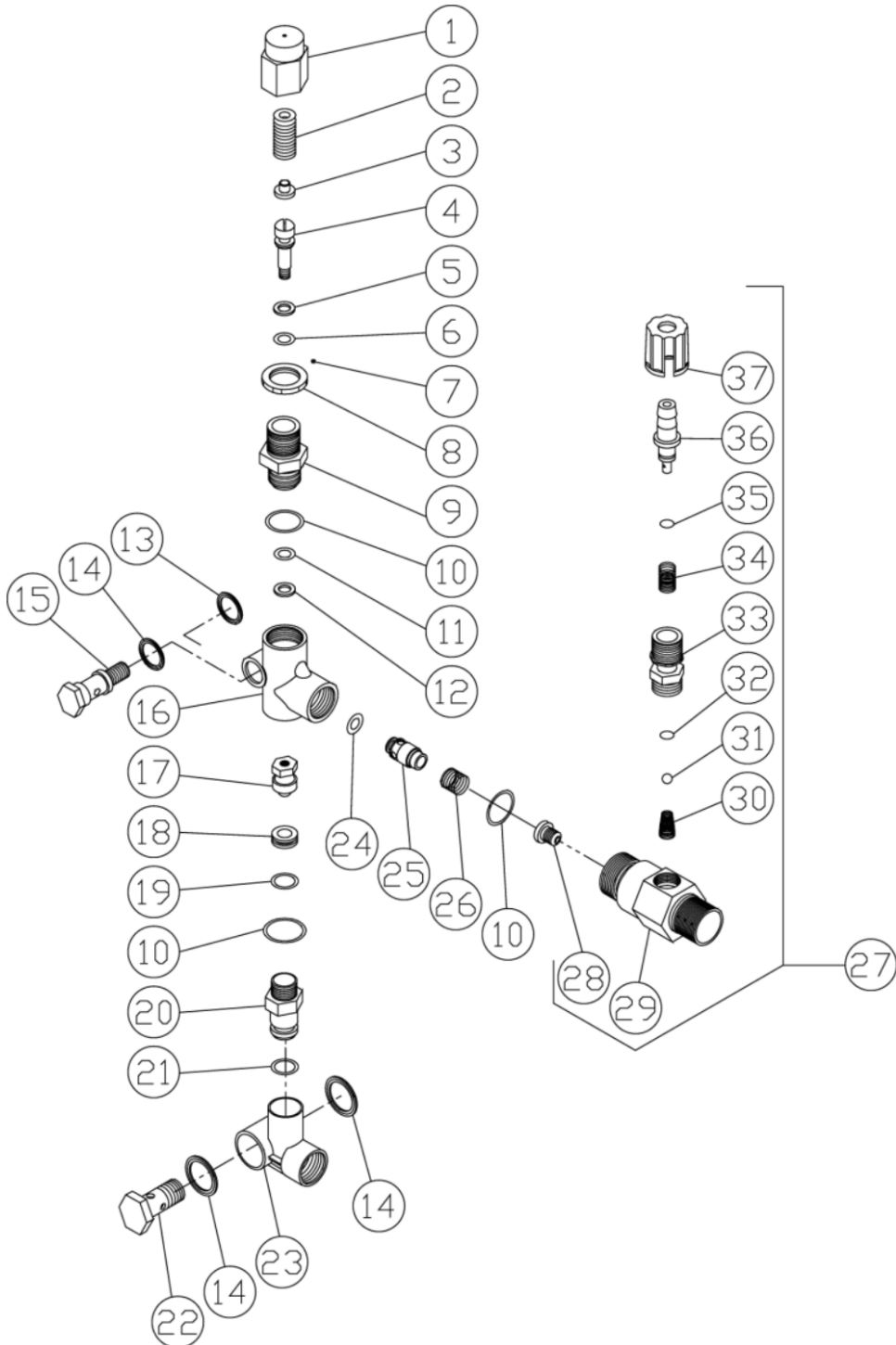
Id	Item #	Description	Quantity	Rev	Comments
1	46-0221	CRANKCASE	1		
2	39-0018	PLUG	2		
3	25-0052	O-RING	1		
4	46-0229	DRIP PAN	1		
5	26-0111	OIL SEAL	3		
6	39-0017	PLUG	1		
7	46-0163	MANIFOLD	1		
8	29-0153	LOCKWASHER	12		
9	27-8406	HEAD BOLT	8		
10	N/A Sep.	O-RING (SEE 70-0009)	6		
11	N/A SEP.	VALVE SEAT (SEE 70-0009)	6		
12	N/A SEP.	VALVE PLATE (SEE 70-0009)	6		
13	N/A Sep.	VALVE SPRING (SEE 70-0009)	6		
14	N/A SEP.	VALVE CAGE (SEE 70-0009)	6		
15	25-0012	O-RING	6		
16	39-0035	VALVE CAP	6		
17	N/A Sep.	VALVE ASSEMBLY (INCLUDES 10-14) (SEE 70-0009)	6		
18	N/A Sep.	HEAD RING (SEE 70-0024)	3		

Id	Item #	Description	Quantity	Rev	Comments
19	N/A Sep.	V-PACKING (SEE 70-0024)	3		
20	46-0158	V-PACKING RETAINER	3		
21	25-0141	O-RING	3		
22	25-0128	O-RING	3		
23	46-0114	OIL LEVEL INDICATOR	1		
24	48-0019	BEARING	1		
25	46-0143	OIL DIP STICK	1		
26	46-0168	NUT	3		
27	46-0166	WASHER	3		
28	46-0148	PLUNGER	3		
29	25-0045	O-RING	3		
30	25-0143	BACK-UP RING	3		
31	46-0167	WASHER	3		
32	43-0044	CONNECTING ROD	3		
33	46-0151	CRANKCASE COVER	1		
34	27-8409	BOLT	4		
35	25-0332	O-RING COVER	1		
36	46-0152	CONNECTING ROD	3		
37	46-0149	PISTON GUIDE	3		
38	27-0846	BOLT	4		
39	29-0154	LOCKWASHER	4		
40	38-0021	FLANGE	1		
41	29-0153	LOCKWASHER	4		
42	27-8409	BOLT	4		
43	46-0087	SPACER	1		
44	25-0060	O-RING	1		
45	26-0126	OIL SEAL	1		
46	46-0245	SNAP RING	1		
47	48-0024	BEARING	1		
48	46-0233	CRANKSHAFT	1		
KIT	70-0009	VALVE KIT (INCLUDES 10-14, 17)			
KIT	70-0024	V-PACKING KIT (INCLUDES 18-19, 21-22)			
KIT	70-0023	V-PACKING ASSEMBLY (18-22)			



CD-2003-1MHC / CD-2003-1MHC (sn:312841-99999999)

UNLOADER ASSEMBLY

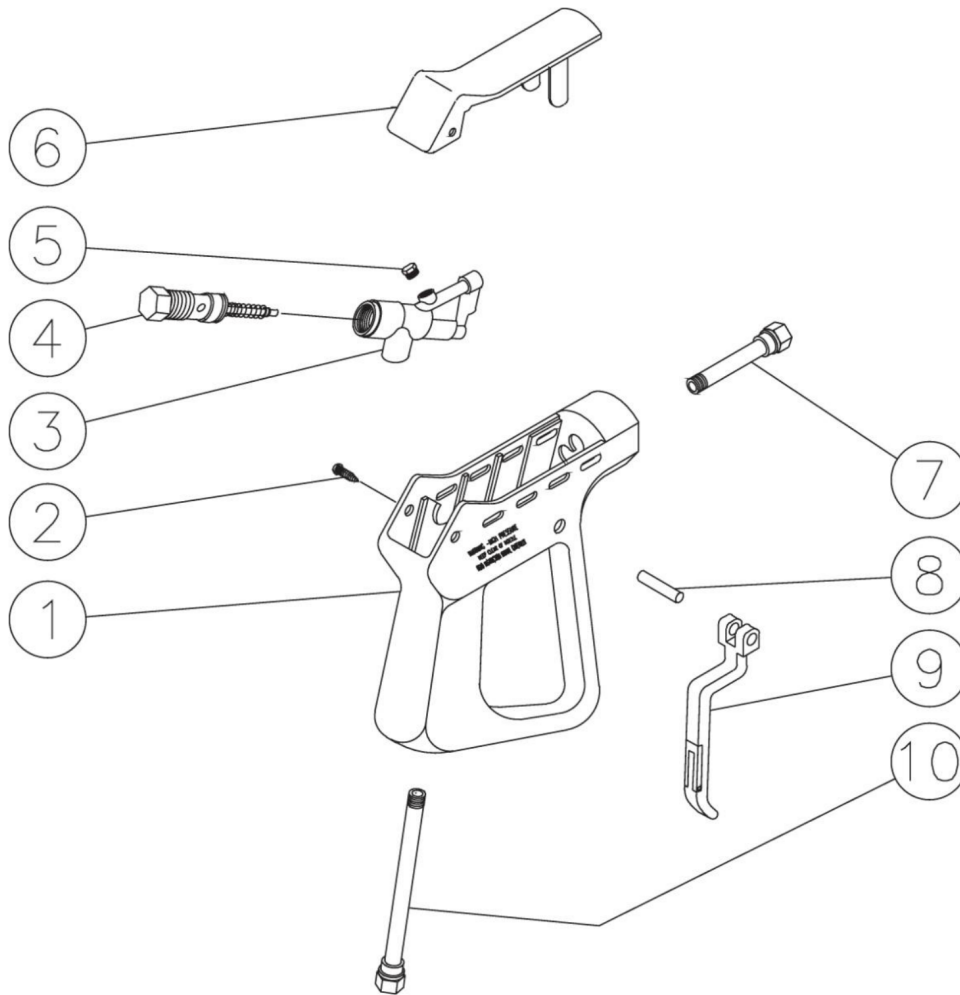


Id	Item #	Description	Quantity	Rev	Comments
1	39-0092	ADJUSTING CAP	1		
2	49-0120	SPRING	1		
3	8-0421	SPRING RETAINER	1		
4	46-0324	PISTON STEM	1		
5	25-0206	BACK-UP RING	1		
6	N/A Sep.	O-RING (SEE 70-0168)	1		
7	8-0479	SET SCREW	1		
8	46-0651	LOCKNUT	1		
9	8-0424	PISTON RETAINER	1		
10	N/A Sep.	O-RING (SEE 70-0168)	3		
11	N/A Sep.	O-RING (SEE 70-0168)	1		
12	25-0203	BACK-UP RING	1		
13	8-0433	WASHER	1		
14	8-0427	WASHER	3		
15	23-0286	CONNECTOR	1		
16	N/A	BODY	1		
17	46-0320	VALVE AND BALL ASSEMBLY	1		
18	8-0430	BYPASS SEAT	1		
19	25-0202	O-RING	1		
20	N/A	BYPASS FITTING	1		
21	25-0376	O-RING	1		
22	23-0285	CONNECTOR	1		
23	N/A	BYPASS FITTING	1		
24	25-0375	O-RING	1		
25	8-0426	FLOW BALANCER	1		
26	49-0121	SPRING	1		
27	46-0752	DETERGENT INJECTOR- 1.80MM	1		
28	50-0146	ORIFICE- 1.80MM	1		
29	N/A	INJECTOR BODY	1		
30	N/A Sep.	SPRING (SEE 852-0056)	1		
31	N/A Sep.	BALL (SEE 852-0056)	1		
32	N/A Sep.	O-RING (SEE 852-0056)	1		
33	N/A	PISTON RETAINER	1		
34	49-0056	SPRING	1		
35	N/A Sep.	O-RING (SEE 852-0056)	1		
36	50-0157	BARB	1		
37	50-0158	ADJUSTABLE KNOB	1		
KIT	70-0168	UNLOADER REPAIR KIT (INC. 4-6, 10-12, 17-19, 21)			
KIT	852-0056	INJECTOR REPAIR KIT (INC. 30-32, 35)			



CD-2003-1MHC / CD-2003-1MHC (sn:312841-99999999)

GUN ASSEMBLY



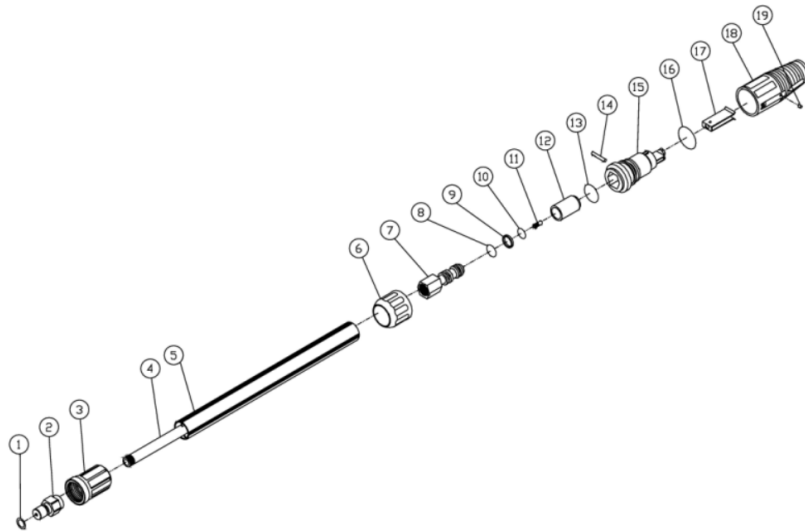
Id	Item #	Description	Quantity	Rev	Comments
1	16-0008	PLASTIC HOUSING	1		
2	27-3230	SCREW	2		
3	16-0012	BRASS HOUSING	1		
4	70-0055	GUN REPAIR KIT	1		
5	39-0024	BRASS PLUG	1		
6	16-0009	PLASTIC COVER	1		
7	16-0013	PIPE ASSEMBLY	1		
8	16-0063	TRIGGER PIN	1		
9	16-0010	TRIGGER/SAFETY LOCK-OFF	1		

Id	Item #	Description	Quantity	Rev	Comments
10	16-0016	PIPE ASSEMBLY- INLET	1		
	16-0001	COMPLETE GUN ASSEMBLY	1		



CD-2003-1MHC / CD-2003-1MHC (sn:312841-99999999)

LANCE ASSEMBLY



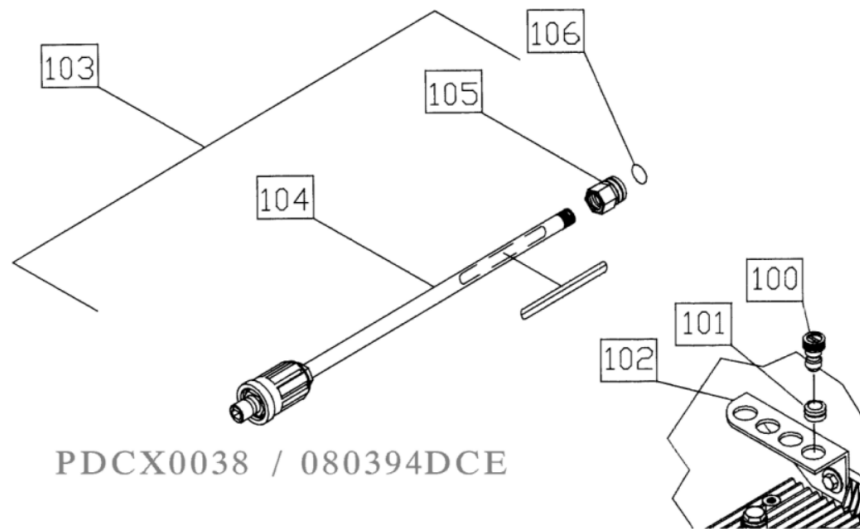
Id	Item #	Description	Quantity	Rev	Comments
1	25-0259	O-RING	1		
2	17-0032	QUICK CONNECT	1		
3	16-0183	SCREW CONNECTOR	1		
4	21-0096	PIPE	1		

Id	Item #	Description	Quantity	Rev	Comments
5	62-0092	WAND PROTECTOR	1		
6	16-0326	COLLAR	1		
7	18-0300	NOZZLE BODY	1		
8	25-0345	O-RING	1		
9	25-0344	BACK-UP RING	1		
10	25-0343	O-RING	1		
11	18-0237	NOZZLE- 1.20MM	1		
12	N/A	SLEEVE	1		
13	25-0419	O-RING	1		
14	43-0083	NOZZLE ASSEMBLY PIN	1		
15	N/A	HOUSING	1		
16	25-0342	O-RING	1		
17	18-0283	NOZZLE ANGLE PLATE	1		
18	18-0301	NOZZLE PROTECTOR	1		
19	18-0286	IDENTIFICATION PIN- 1.20MM	1		



CD-2003-1MHC / CD-2003-1MHC (sn:312841-99999999)

CX-0038



Id	Item #	Description	Quantity	Rev	Comments
100	18-0257	SPRAY NOZZLE-00035	1		
100	18-0258	SPRAY NOZZLE-15035	1		
100	18-0259	SPRAY NOZZLE-25035	1		
100	18-0148	SPRAY NOZZLE-6540	1		

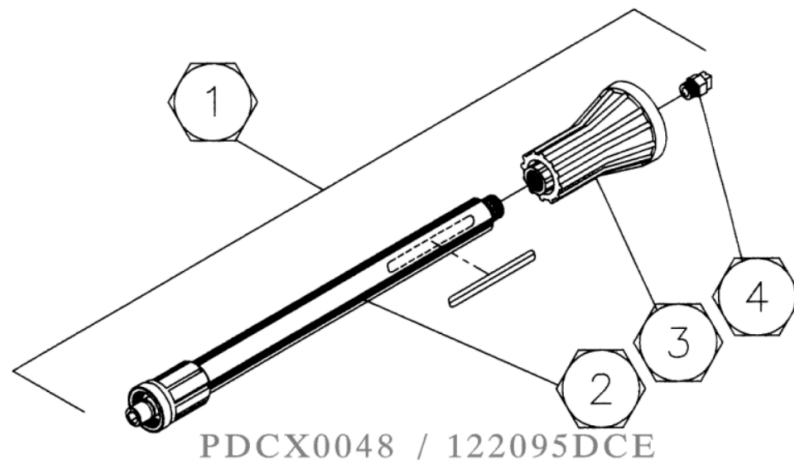
Id	Item #	Description	Quantity	Rev	Comments
101	33-0001	GROMMET	4		
102	13-0096	NOZZLE HOLDER BRACKET	1		
103	851-0202	LANCE ASSEMBLY	1		
104	16-0176	EXTENTION WAND	1		
105	17-0001	QUICK CONNECT SOCKET-1/4"	1		
106	25-0122	O-RING	2		

*THESE PARTS AVAILABLE SEPARATELY OR AS PART OF 851-0202



CD-2003-1MHC / CD-2003-1MHC (sn:312841-99999999)

CX-0049



Id	Item #	Description	Quantity	Rev	Comments
1	851-0267	ASSEMBLY LANCE	1		
2	16-0310	LANCE	1		
3	16-0305	ADJUSTING NOZZLE CONE	1		
4	18-0011	SPRAY NOZZLE-15055 (CD-1504)(CX-48)	1		

Id	Item #	Description	Quantity	Rev	Comments
4	18-0254	SPRAY NOZZLE-15035 (CD-2003)(CX-49)	1		