

**OPERATING INSTRUCTIONS AND PARTS LIST
INSTRUCCIONES DE OPERACIÓN Y LISTA DE PIEZAS**



PORTA-TILE II

**Models:
PT2-1075
PT2-10100**



DECAL DESCRIPTIONS & LOCATION DESCRIPCIÓN DE CALCAMONIAS Y UBICACIONES



P/N 189719
Location: Sides of Water Pan



P/N 189731
Location: Side of Belt & Blade Guards



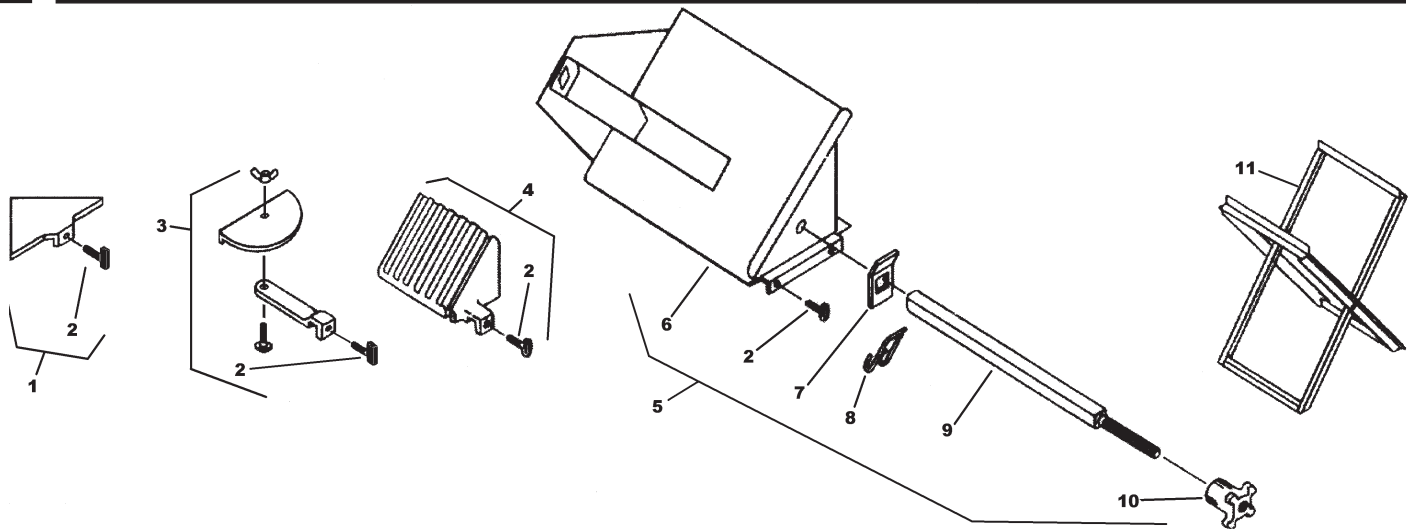
P/N 189732
Location: Front of Water Pan



P/N 187691
Location: Top of Belt Guard



P/N 187043
Location: Top of Belt Guard



Dual 45 degree Angle Guide

Adjustable Protractor

Bullnose Miter Guide

Mighty Miter Guide

Folding Stand

Parts List:

Diag.	Part No.	Qty.	Description	Diag.	Part No.	Qty.	Description
1	051020	1	Angle Guide Assy, Dual 45°	7	050105	1	Clip, Stop
2	189737	1	Knob, 1/4"-20 x 1"	8	050106	1	Spring
3	051010	1	Protractor Assy, Adjustable	9	050107	1	Bar, Locking
4	051030	1	Miter Guide Assy, Bullnose	10	050103	1	Knob
5	050102	1	Miter Guide Assy, Mitghty	11	051041	1	Folding Stand, Tile Saw
6	050104	1	Frame, Miter				

RIP GUIDE: P/N 051000 - The Rip Guide is a standard accessory supplied with every tile saw. It is used to provide a repeatable position for rip cuts until relocated. The Rip Guide clamps to the machined backstop of the conveyor cart.

ANGLE GUIDE : P/N 051020 - This is a non-adjustable miter used to quickly position the tile at 45 degrees; either on the left or right side. It is often used for repeated diagonal rip cuts. The Angle Guide clamps to the backstop.

ADJUSTABLE PROTRACTOR: P/N 051010 - The Protractor can be used to rip cut known angles. The protractor clamps to the backstop.

BULLNOSE MITER GUIDE: P/N 051030 -This is a fixed guide that positions the tile for a 45 degree miter cut. The Miterring Guide clamps to the backstop.

MIGHTY MITER GUIDE: P/N 161480 - This is a 45 degree fixture that has an adjustable clamp to hold the tile while miter cutting. The Miterring Guide clamps to the backstop.

FOLDING STAND: P/N 051041 - This stable, one piece stand brings a TARGET® tile saw to standing level for ease of work. The stand conveniently folds flat for storage and transporting.

FENCE-PRO: P/N189546 -This accessory holds the tile in place while cutting or profiling. 1/4" increment marks assist with slightly out of square cuts. The Fence-Pro clamps to the bottom of the backstop with two thumb screws. (Not Shown)

The instructions for use and spare parts found in this document are for information only and are not binding. As part of our product quality improvement policy, we reserve the right to make any and all technical modifications without prior notice.



The manufacturer accepts no responsibility caused by unsuitable use or modifications.



DIAGRAM 1 – PORTA-TILE II

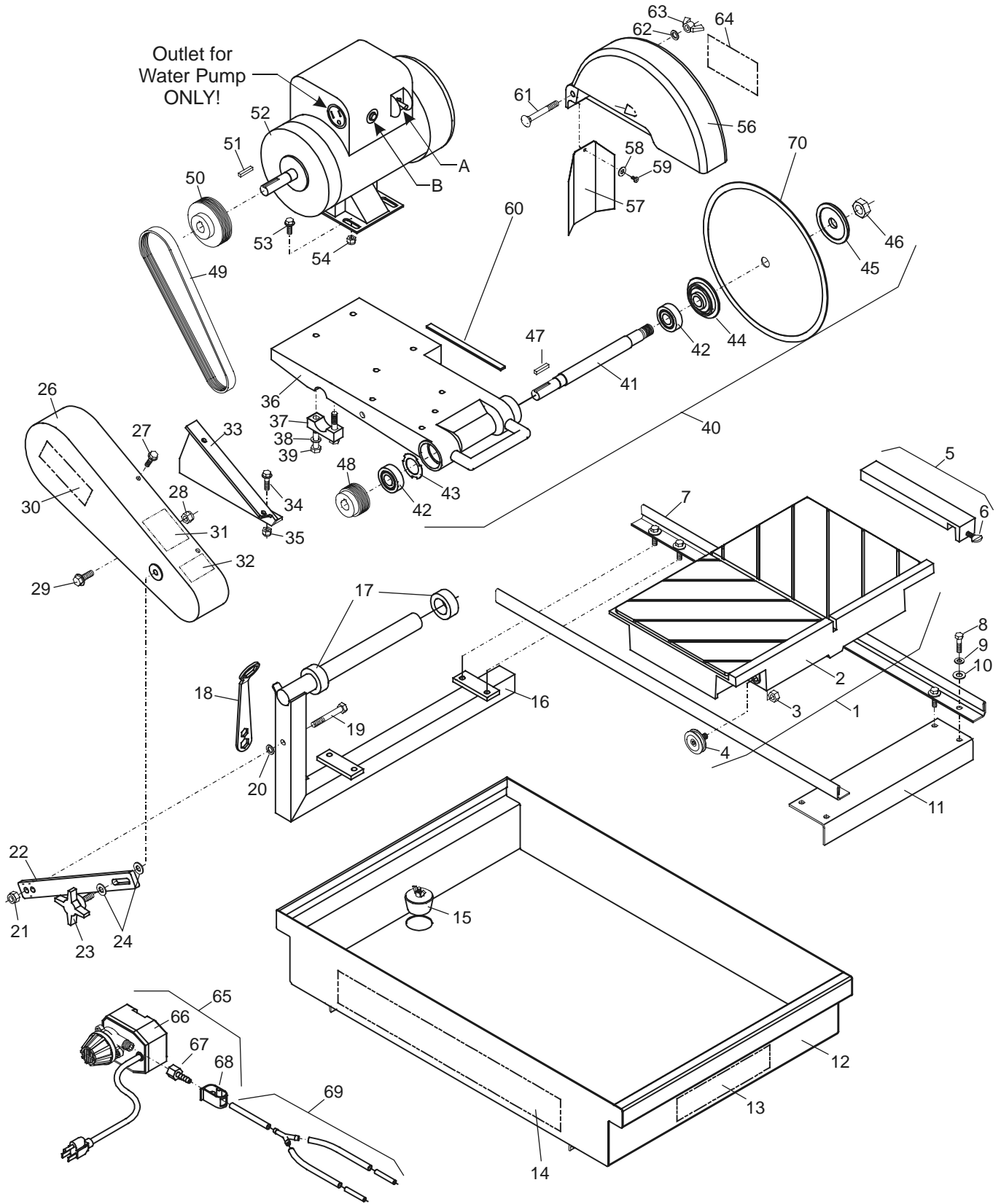


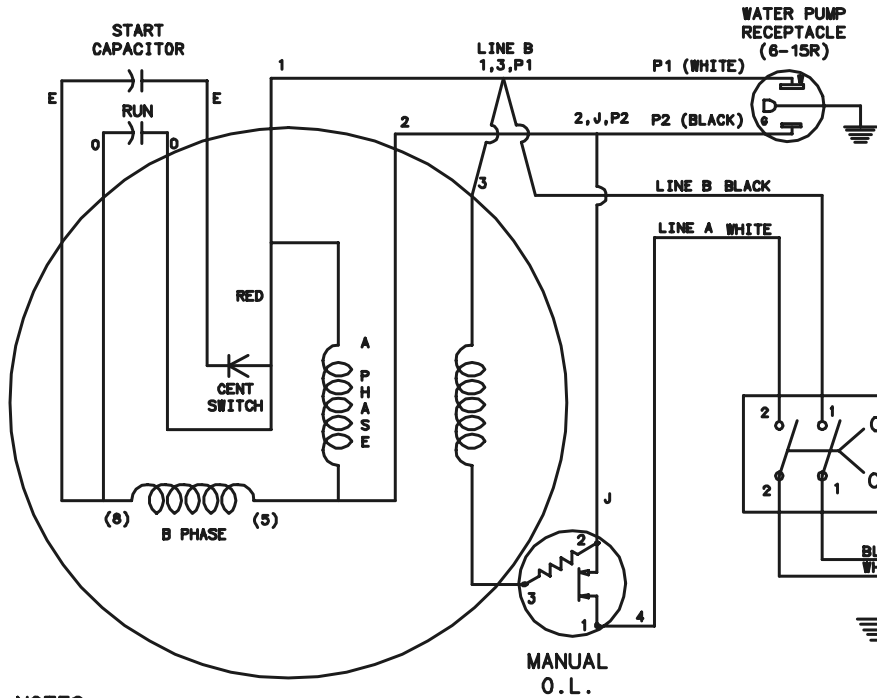
DIAGRAM 1 - Parts List (01/15/01)

DIAG LOC.	PART NO.	QTY REQ	DESCRIPTION	DIAG LOC.	PART NO.	QTY REQ	DESCRIPTION
1	169573	1	Cart Assy (Incl. 2 – 4)	48	68822	1	Pulley, Arbor: 6GJ1.75 x 5/8 w/SS (For 1-1/2 HP, 60 Hz)
2	169576	1	Conveyor Cart (only)	[48]	058002	1	Pulley, Arbor: 1G3V1.9 x 5/8 w/SS (For 1 HP, 50 Hz)
3	032366	4	Nut, KEPS, 5/16"-18				
4	030822	4	Cart Wheel (only)				
--	030049	1	Cart Wheels, Set/4 (Incls. 3 – 4)				
5	051000	1	Rip Guide (Incls. 6)	49	58964	1	V-Belt: Poly-V, 280J6 (For 1-1/2 HP, 60 Hz)
6	189737	1	Knob, 1/4"-20 x 1"	[49]	047455	1	V-Belt: 3V300 (For 1 HP, 50 Hz)
7	161418	2	Rail				
8	160244	8	Capscrew, Hex Head, 5/16"-18 x 5/8"				
9	020785	8	Lockwasher, Split, 5/16"				
10	020742	8	Washer, Flat, 5/16"	50	172101	1	Pulley, Motor: 6GJ2.8 w/SS, (For 1-1/2 HP, 60 Hz)
11	161420	1	Support, Rail	[50]	058052	1	Pulley, Motor: 1G3V3.67 w/SS (For 1 HP, 50 Hz)
12	161424	1	Water Pan				
13	189732	1	Decal: Target – TB01.0				
14	189719	2	Decal: PortaTile II				
15	030386	1	Drain Plug	51	020060	1	Key, 3/16" x 1"
16	169551	1	Frame, 1" Pivot Bar				
17	043260	2	Set Collar, 1"	52	169422	1	Motor: 1.5HP-HT, 1725 RPM, 115V/60/1
18	161641	1	Wrench	A	001501	1	Switch, On-Off
19	020343	1	Capscrew, Hex Head, 5/16"-18 x 2"	B	169492	1	Manual Reset Overload
20	020742	1	Washer, Flat 5/16"	--	169493	1	Capacitor, Start (324 Mfd @ 115V)
21	020197	1	Locknut, Fiber 5/16"-18	--	169494	1	Capacitor, Run (40 Mfd @ 370V)
22	169554	1	Lockbar				
23	169486	1	Knob, 5/16" – 18 x 1"	[52]	000503	1	Motor: 1HP, 240V/50/1
24	020742	2	Washer, Flat, 5/16"	A	001501	1	Switch, On-Off
25	----	--	-----	B	None		Manual Reset Overload
26	161412	1	Belt Guard	--	110058	1	Capacitor, Start (400 Mfd @ 165V)
27	189660	2	Flange Bolt, 1/4"-20 x 1/2"	--	None		Capacitor, Run
28	020197	1	Locknut, Fiber 5/16"-18				
29	178825	1	Flange Bolt, 5/16"-18 x 1"	53	178825	4	Flange Bolt, 5/16"-18 x 1"
30	189731	1	Decal: Target – TB01.0	54	020197	4	Locknut, Fiber 5/16"-18
31	187043	1	Decal: Warning	55	---	--	-----
32	187691	1	Decal: www.targetblue.com	56	169532	1	Blade Guard
33	169499	1	Bracket, Belt Guard	57	169365	1	Splash Flap
34	178826	2	Flange Bolt, 1/4"-20 x 1"	58	169366	1	Screw, Self-Tapping #8 x 3/8"
35	020195	2	Locknut, Fiber 1/4"-20	59	020739	1	Washer, Flat #10
36	171032	1	Motor Base	60	163248	1	Rubber Sponge Strip
37	189661	2	Bearing Cap	61	020126	1	Carriage Bolt, 5/16" -18 x 2"
38	020785	4	Lockwasher, 5/16", Split	62	020763	1	Washer, Flat 5/16"
39	020441	4	Capscrew, Hex Head, 5/16"-18 x 1-3/4"	63	020245	1	Locknut, Wing 5/16" – 18
40	052004	1	Blade Shaft Assy. (incl. items 41-46)	64	189731	1	Decal: Target – TB01.0
41	052006	1	Blade Shaft	65	050218	1	Water Pump Assy (Incl. Items 66 - 67)
42	071081	2	Bearing	66	197237	1	Hose Barb 1/4" FPT x 1/4" OD
43	071110	1	Spring Washer	67	161134	1	Valve, Flow Control
44	169522	1	Inner Flange	68	169563	1	Water Tube Assy: 1/4" Y x 32"
45	169523	1	Outer Flange	69	---	--	-----
46	020176	1	Nut, Hex Jam Thin, 5/8" – 18	70	---	1	Blade, 10" (254mm) - TARGET
47	020060	1	Key, 3/16" x 1"				

Diagram 2: Wiring Diagram 169422

BALDOR SPEC.NO.: 35M554S728G1
 1.5 HP, 1725 RPM, T.E.F.C.
 115/208-230V, 60 Hz, 1 PHASE
 14.4/7.6-7.2 FULL LOAD AMPS
 INS. CLASS: B
 CODES: NEMA => L; KVA => J

PART NO.	SERVICE ITEMS
169492	MANUAL O.L.
001501	ON/OFF SWITCH
NONE	SWITCH, BOX & WIRING
NONE	V.C. SWITCH (INCLUDES GUARD)
169493	START CAPACITOR {324 Mfd/110V}
169494	RUN CAPACITOR {40 Mfd/370V}

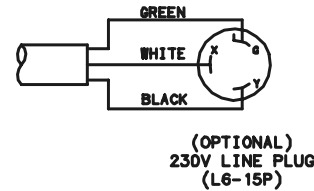
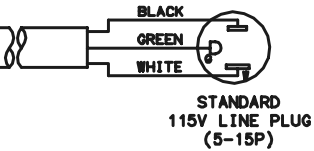


NOTES:

1. CONNECTIONS ARE SHOWN FOR CCW ROTATION FACING END OPPOSITE SHAFT EXTENSION. ROTATION CANNOT BE CHANGED EXTERNALLY.

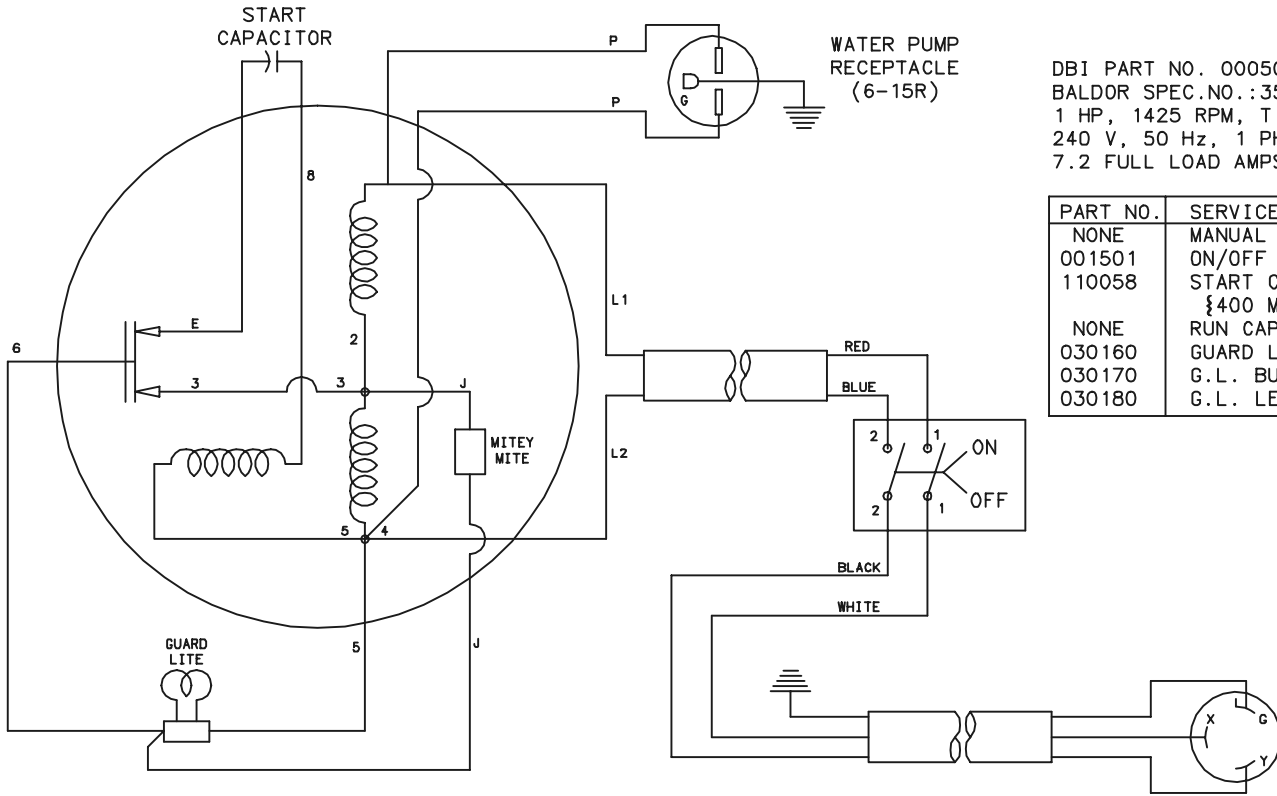
2. HIGH / LOW CONNECTIONS

	LINE A	LINE B	JOIN	JOIN
LOW	1,3,P1	4	2,J,P2	-
HIGH	1,P1	4	2,3,P2	J



PART NO.	SPEC. NO.	HP	RPM	VOLT	HZ	PH	F.L.AMPS
169422	35M554S728G1	1.5	1725	115/208-230	60	1	14.4/7.6-7.2

Diagram 3: Wiring Diagram 000503



DB1 PART NO. 000503
 BALDOR SPEC. NO.: 35G175X365
 1 HP, 1425 RPM, T.E.F.C.
 240 V, 50 Hz, 1 PHASE
 7.2 FULL LOAD AMPS

PART NO.	SERVICE ITEMS
NONE	MANUAL O.L.
001501	ON/OFF SWITCH
110058	START CAPACITOR {400 Mfd/165V}
NONE	RUN CAPACITOR
030160	GUARD LITE
030170	G.L. BULB
030180	G.L. LENS

NOTE: MITEY MITE HAS NORMALLY OPEN CONTACTS.

LINE PLUG
(L6-15P)

PART NO.	SPEC. NO.	HP	RPM	VOLT	HZ	PH	F.L. AMPS
000503 (050279)	35G175X365	1	1425	240	50	1	7.2