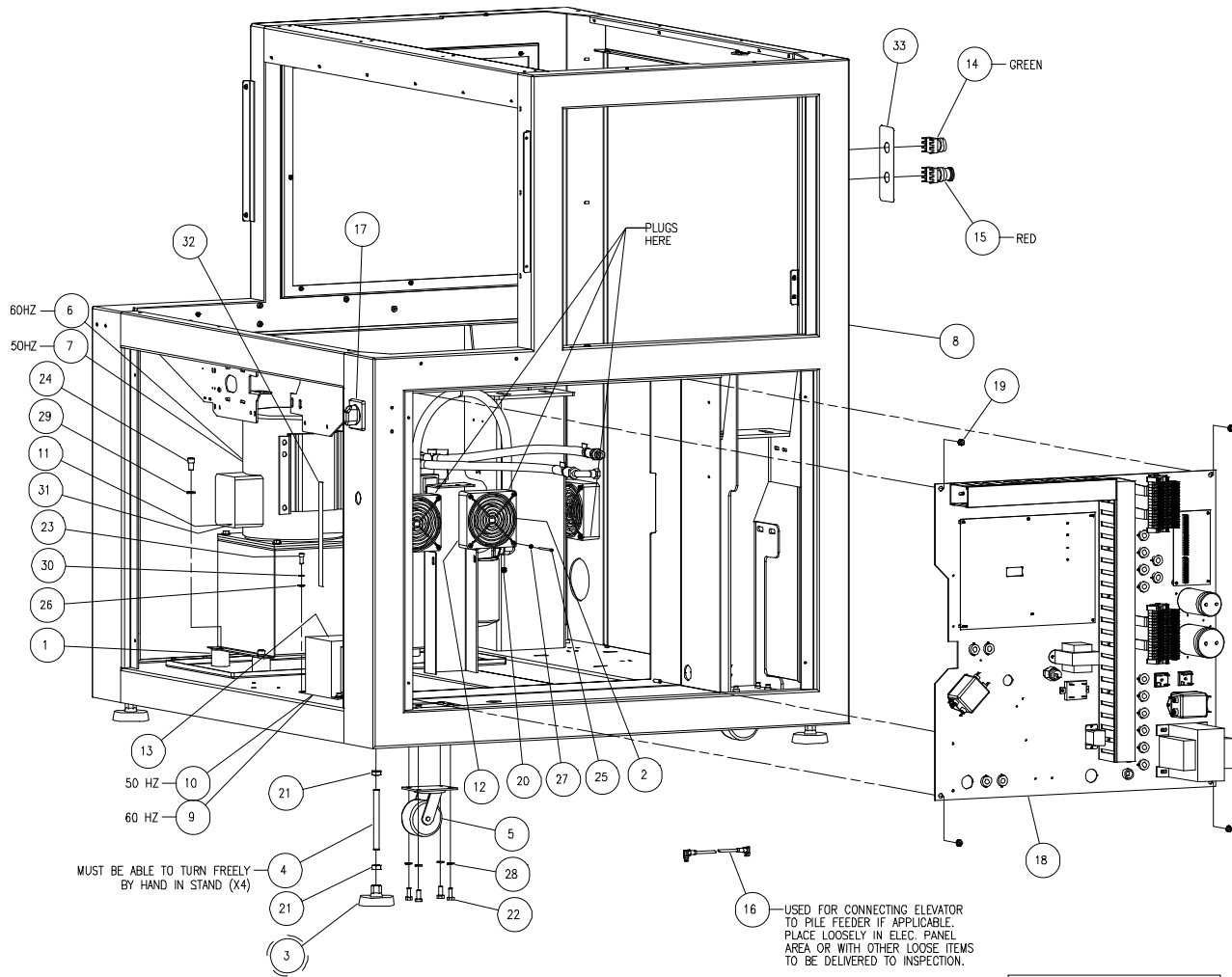


PL 5.1 Main Assembly 59000 (1/14)

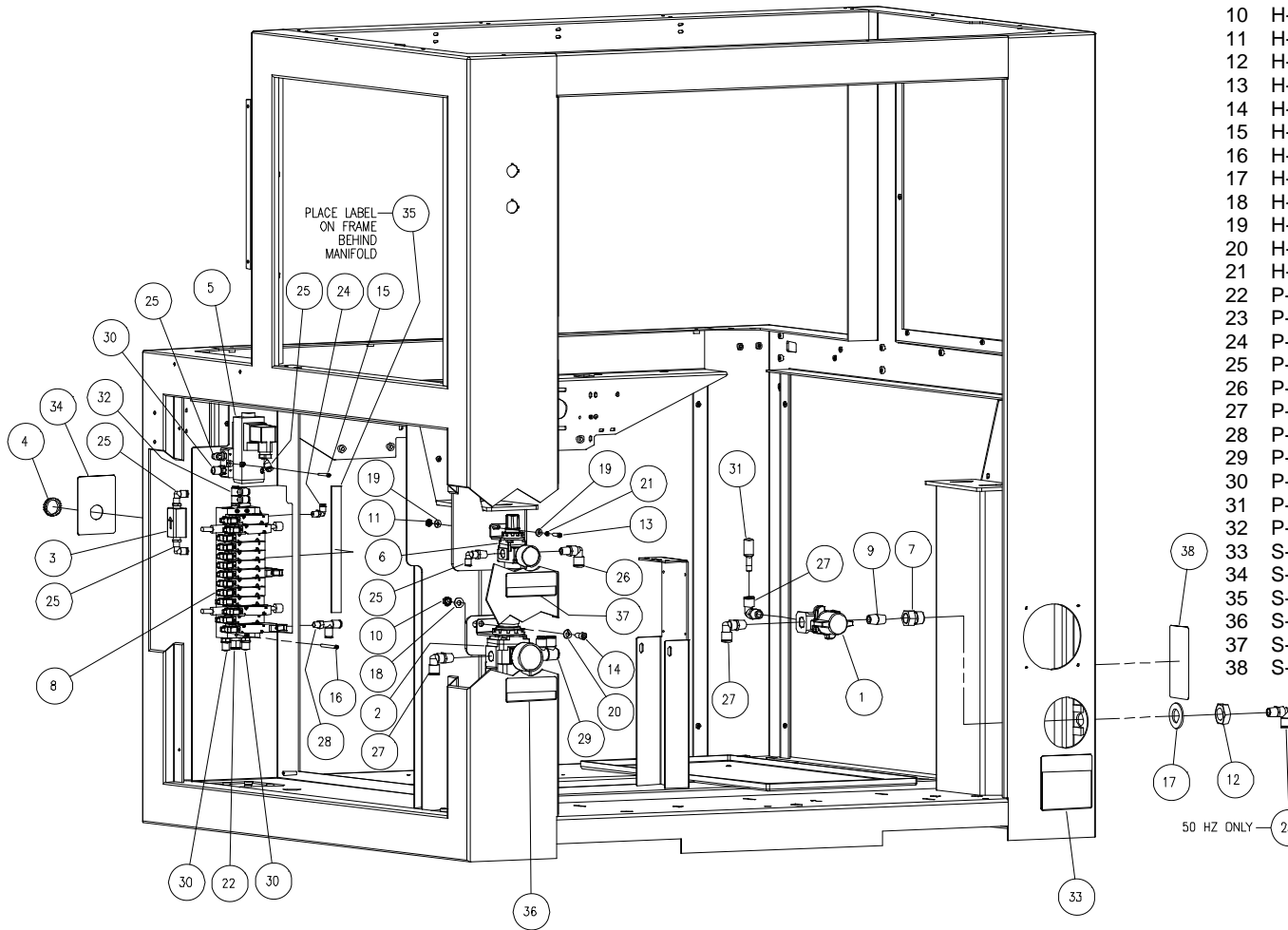


No.	Part Number	Description	Qty.
1	40016-5	MOUNT - VIBRATION	4
2	47092	GUARD - FAN	6
3	51036	FOOT	4
4	56456	THREADED ROD	4
5	56805	CASTER	4
6	59010	HYDRAULIC POWER UNIT - 60HZ	1
7	59010-1	HYDRAULIC POWER UNIT - 50HZ	1
8	59100	STAND WELDMENT - CMT-130	1
9	E-1089-24	CONTROL TRANSFORMER - 60HZ	1
10	E-1089-28	CONTROL TRANSFORMER - 50HZ	1
11	E-1237-2	WIRE NUT - BLUE	4
12	E-2483	FAN	3
13	E-2974-1	COVER - TERMINAL	2
14	E-3073-1	SWITCH - GREEN	1
15	E-3127-5	SWITCH - RED STOP	1
16	E-3505	'CAN' CABLE JUMPER	1
17	EE-2971	SWITCH - MAIN DISCONNECT	1
18	EE-3503	ELECTRICAL PANEL ASSEMBLY	1
19	H-6423-4	NUT - 1/4-20 HEX KEP	4
20	H-6423-#6	NUT - #6-32 HEX KEP	12
21	H-6424-8	NUT - 1/2-13 HEX JAM	8
22	H-6913-506	SCREW - 5/16-18 X 3/4 HEX HD	16
23	H-6918-405	SCREW - 1/4-20 X 5/8 SOC HD	4
24	H-6918-605	SCREW - 3/8-16 X 5/8 SOC HD	4
25	H-6918-63216	SCREW - #6-32 X 2 SOC HD	12
26	H-7321-4	WASHER - 1/4 SAE PLAIN	4
27	H-7324-#6	WASHER - #6 INT TOOTH	12
28	H-7327-10	WASHER - 5/16 MEDIUM LOCK	16
29	H-7327-12	WASHER - 3/8 MEDIUM LOCK	4
30	H-7327-8	WASHER - 1/4 MEDIUM LOCK	4
31	S-1121	REDUCING WASHER	2
32	S-1781-192	LABEL - IDENTIFICATION	1
33	S-1781-222	LABEL - START/STOP, REAR	1

NOTE:
 INTERIOR FANS SHOULD BE ARRANGED TO BLOW AIR TOWARD THE HYDRAULIC UNIT. THE REAR FAN SHOULD BE ARRANGED TO EXHAUST AIR OUT OF THE MACHINE.

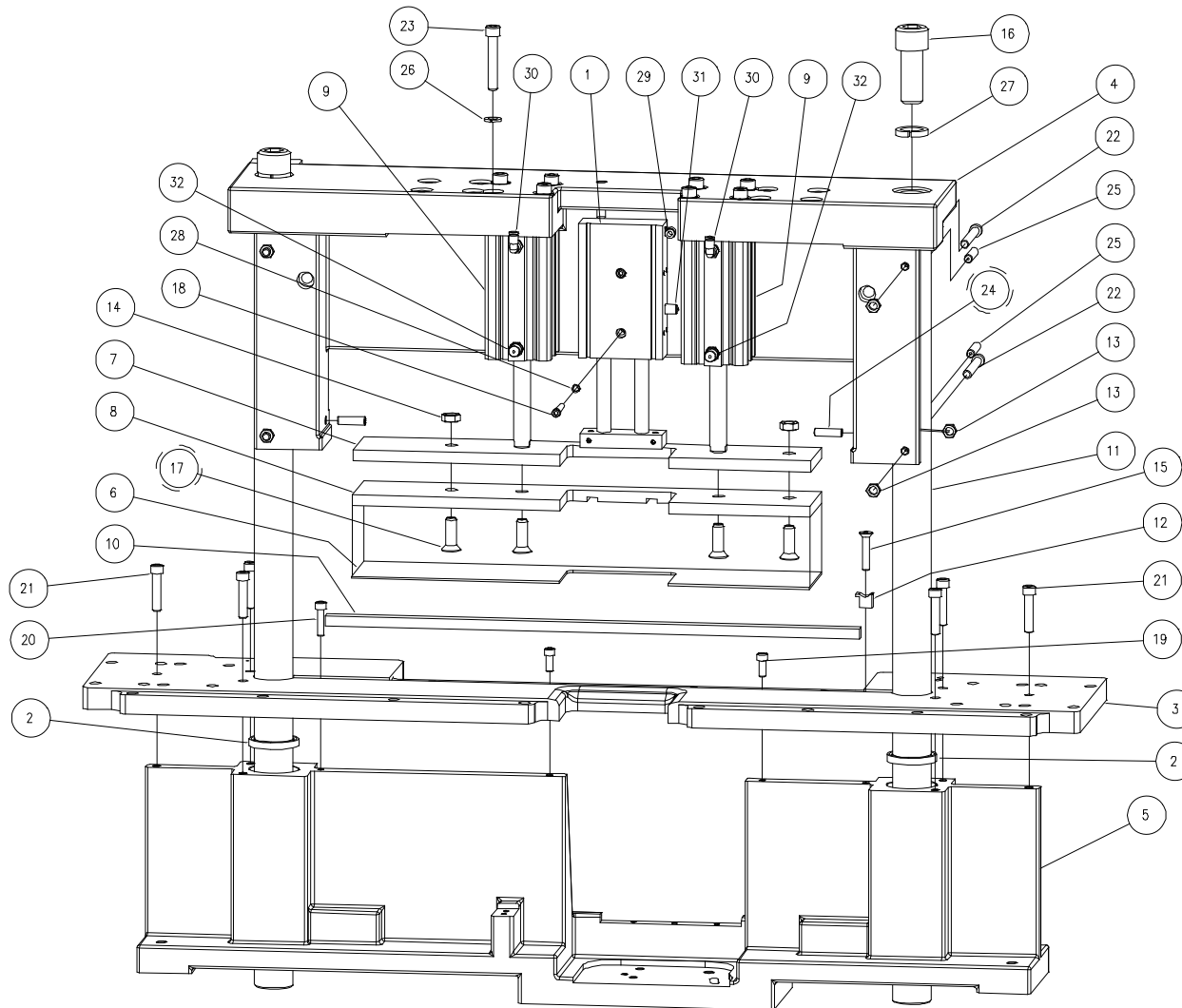
= APPLY REMOVEABLE THREAD-LOCK
 = APPLY PERMANENT THREAD-LOCK
 = APPLY GREASE

PL 5.2 Main Assembly 59000 (2/14)

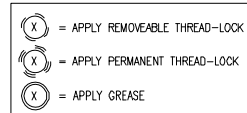


No.	Part Number	Description	Qty.
1	56005	AIR DISCONNECT VALVE	1
2	56014	PNEUMATIC FILTER/REGULATOR	1
3	56015	AIR FLOW CONTROL W/ NUT	1
4	56016	PANEL NUT	1
5	56021	ELEC/PNEUM. PRES. VALVE	1
6	56025-1	REGULATOR, GAUGE & BRACKET	1
7	56863	BULKHEAD FITTING	1
8	59012-1	PNEUMATIC MANIFOLD ASM	1
9	H-6406-608	BRASS PIPE NIPPLE - CLOSE	1
10	H-6423-5	NUT - 5/16-18 HEX KEP	2
11	H-6423-#10	NUT - #10-24 HEX KEP	2
12	H-6424-14	NUT - 7/8-9 HEX JAM	1
13	H-6918-102406	SCREW - #10-24 X 3/4 SOC HD	2
14	H-6918-506	SCREW - 5/16-18 X 3/4 SOC HD	2
15	H-6918-83210	SCREW - #8-32 X 1-1/4 SOC HD	2
16	H-6918-83216	SCREW - #8-32 X 2 SOC HD	4
17	H-7321-14	WASHER - 7/8 SAE PLAIN	1
18	H-7321-5	WASHER - 5/16 SAE PLAIN	2
19	H-7321-#10	WASHER - #10 SAE PLAIN	4
20	H-7327-10	WASHER - 5/16 MEDIUM LOCK	2
21	H-7327-#10	WASHER - #10 MEDIUM LOCK	2
22	P-500-602	STR. FITTING-3/8 TUBE X 1/4 NPT	1
23	P-503-1203	ELBOW-12MM TUBE X 3/8 UNI	1
24	P-503-401	ELBOW-1/4 TUBE X 1/8 NPT	1
25	P-503-402	ELBOW-1/4 TUBE X 1/4 NPT	5
26	P-503-602	ELBOW-3/8 TUBE X 1/4 NPT	1
27	P-503-603	ELBOW-3/8 TUBE X 3/8 NPT	2
28	P-504-401	RUN TEE - 1/4 TUBE DIA X 1/8 NPT	1
29	P-509-603	2X ELBOW 3/8 TUBE X 3/8 NPT	1
30	P-511	SILENCER - 1/4 NPT	3
31	P-511-2	SILENCER - 3/8 NPT	1
32	P-528-402	FITTING - 4 PORT ELBOW	1
33	S-1781-102	LABEL - AIR MAIN DISC.	1
34	S-1781-130	LABEL - BOTTOM BLAST	1
35	S-1781-192	LABEL - IDENTIFICATION	1
36	S-1781-195	LABEL - MAIN AIR PRESSURE	1
37	S-1781-196	LABEL - CLAMP PRESSURE	1
38	S-1781-204	LABEL - COMPRESSED AIR INLET	1

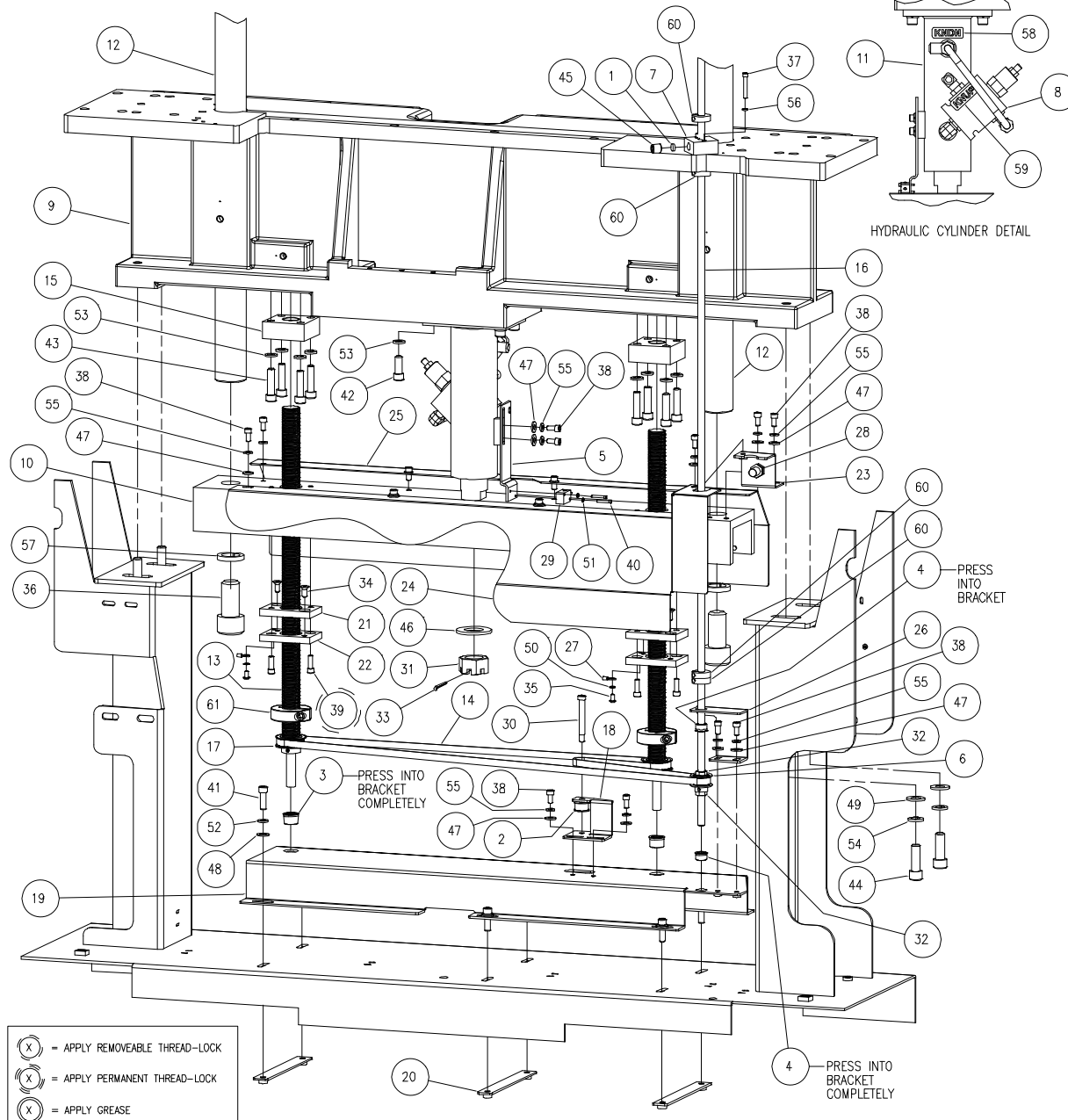
PL 5.3 Main Assembly 59000 (3/14)

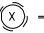
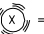
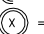


No.	Part Number	Description	Qty.
1	56213	DUAL ROD AIR CYLINDER	1
2	56239-1	1-3/4" ROD WIPER	2
3	59001	TABLE	1
4	59002	ARCH	1
5	59003	BASE	1
6	59032	PAD WITH ADHESIVE	1
7	59033	CLAMP BAR	1
8	59034	CLAMP	1
9	59041	DOUBLE ACTING AIR CYLINDER	2
10	59050	CUT STICK	1
11	59073	PULL-DOWN ROD	2
12	59164	CUT STICK STOP BLOCK	1
13	H-6424-6	NUT - 3/8-16 HEX JAM	8
14	H-6428-8	NUT - 1/2-20 HEX JAM	2
15	H-6909-514	SCREW - 5/16-18 X 1-3/4" FLT HD	1
16	H-6915-1620	SCREW - 1-14 X 2-1/2 SOC HD	2
17	H-6916-812	SCREW - 1/2-20 X 1-1/2" FLT HD	4
18	H-6918-414	SCREW - 1/4-20 X 1-3/4 SOC HD	2
19	H-6918-506	SCREW - 5/16-18 X 3/4 SOC HD	2
20	H-6918-510	SCREW - 5/16-18 X 1-1/4 SOC HD	1
21	H-6918-614	SCREW - 3/8-16 X 1-3/4 SOC HD	6
22	H-6918-628	SCREW - 3/8-16 X 3-1/2 SOC HD	4
23	H-6918-720	SCREW - 7/16-14 X 2-1/2 SOC HD	8
24	H-6938-620	SCREW - 3/8-16 X 1-1/4 CUP SET	2
25	H-6940-632	SCREW - 3/8-16 X 2 FLAT SET	4
26	H-7327-14	WASHER - 7/16 MEDIUM LOCK	8
27	H-7329-16	WASHER - 1" HIGH COL. LOCK	2
28	H-7329-4	WASHER - 1/4 HIGH COL. LOCK	2
29	P-503-401PT	ELBOW-1/4 TUBE X 1/8 PT	1
30	P-503-402	ELBOW-1/4 TUBE X 1/4 NPT	2
31	P-506	SILENCER (METRIC THD)	1
32	P-511	SILENCER - 1/4 NPT	2



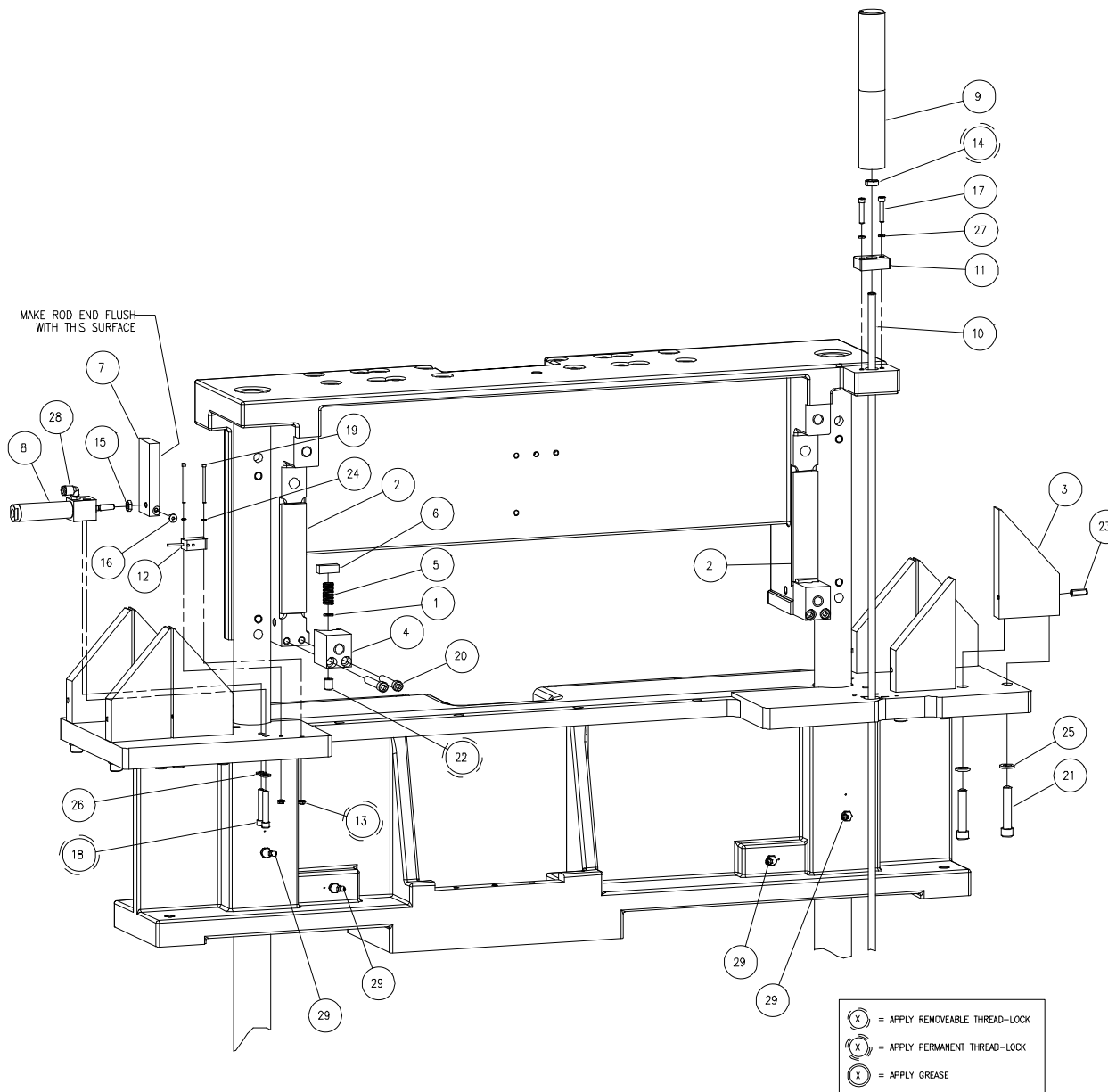
PL 5.4 Main Assembly 59000 (4/14)



-  = APPLY REMOVEABLE THREAD-LOCK
-  = APPLY PERMANENT THREAD-LOCK
-  = APPLY GREASE

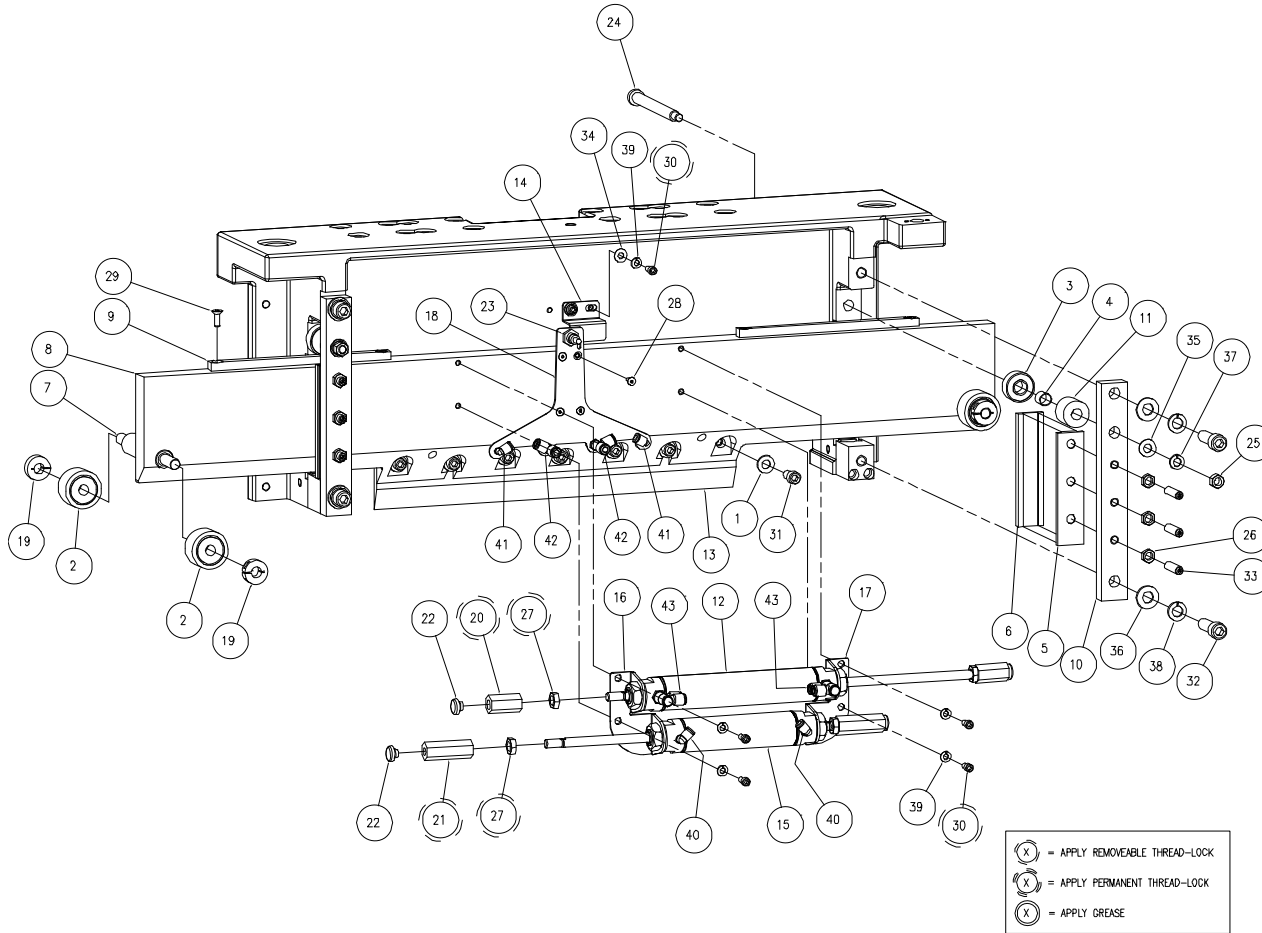
No.	Part Number	Description	Qty.
1	6609-2	TEFLON PLUG	1
2	35114	ROLLER - GUIDE	1
3	39021-1	BRONZE BEARING - SELF-ALIGNING, 1/2	2
4	39021-2	BRONZE BEARING - SELF-ALIGNING, 3/8	2
5	44077	BRACKET - HYDRAULIC UP PROX	1
6	56066-4	TIMING PULLEY - 15 GROOVE XL	1
7	56234	ADJ. KNOB BLOCK	1
8	56252-1	COUNTER BALANCE VALVE ASM	1
9	59003	BASE	1
10	59007	LOWER PULL-DOWN BAR	1
11	59020-1	HYD. CYLINDER	1
12	59073	PULL-DOWN ROD	2
13	59251	HARD STOP ADJ. ROD - ACME THD	2
14	59252	TIMING BELT - 690XL037	1
15	59253	BLOCK - ACME THREADED	2
16	59254	KNIFE HEIGHT ADJ. ROD	1
17	59255	TIMING PULLEY - 24 GROOVE, 1/2 BORE	2
18	59257	BELT TENSIONER BRACKET	1
19	59258	SUPPORT - HARD STOP MECHANISM	1
20	59259	STRAP	3
21	59260	ISOLATOR	2
22	59261	STOP PLATE	2
23	59262	PROX BRACKET - KNIFE SLOW DOWN	1
24	59263	BELT COVER - LOWER REAR	1
25	59264	BELT COVER - LOWER FRONT	1
26	59265	ADJUSTING SCREW GUIDE BRACKET	1
27	E-1214-8	CONNECTOR - #10-RING	2
28	E-2204-3	PROXIMITY SWITCH	1
29	EE-2952-14	PROX ASM. - KNIFE UP - 'U'	1
30	H-5254-516	SCREW - 5/16 X 2 SHSS	1
31	H-6410-16	NUT - 1"-14 SLOTTED HEX	1
32	H-6424-6	NUT - 3/8-16 HEX JAM	2
33	H-6631-412	COTTER PIN - 1/8" X 1-1/2"	1
34	H-6909-405	SCREW - 1/4-20 X 5/8" FLT HD	4
35	H-6910-102403	SCREW - #10-24 X 3/8 BUT HD	2
36	H-6915-1616	SCREW - 1-14 X 2 SOC HD	2
37	H-6918-102410	SCREW - #10-24 X 1-1/4 SOC HD	2
38	H-6918-404	SCREW - 1/4-20 X 1/2 SOC HD	17
39	H-6918-406	SCREW - 1/4-20 X 3/4 SOC HD	4
40	H-6918-44006	SCREW - #4-40 X 3/4 SOC HD	2
41	H-6918-508	SCREW - 5/16-18 X 1 SOC HD	6
42	H-6918-608	SCREW - 3/8-16 X 1 SOC HD	4
43	H-6918-612	SCREW - 3/8-16 X 1-1/2 SOC HD	8
44	H-6918-812	SCREW - 1/2-13 X 1-1/2 SOC HD	4
45	H-6951-808	SCREW - 1/2-13 X 1/2 NYLOK FLT PT SET	1
46	H-7321-16	WASHER - 1" SAE PLAIN	1
47	H-7321-4	WASHER - 1/4 SAE PLAIN	13
48	H-7321-5	WASHER - 5/16 SAE PLAIN	6
49	H-7321-8	WASHER - 1/2 SAE PLAIN	4
50	H-7324-#10	WASHER - #10 INT TOOTH	2
51	H-7324-#4	WASHER - #4 INT TOOTH	2
52	H-7327-10	WASHER - 5/16 MEDIUM LOCK	6
53	H-7327-12	WASHER - 3/8 MEDIUM LOCK	12
54	H-7327-16	WASHER - 1/2 MEDIUM LOCK	4
55	H-7327-8	WASHER - 1/4 MEDIUM LOCK	17
56	H-7327-#10	WASHER - #10 MEDIUM LOCK	2
57	H-7329-16	WASHER - 1" HIGH COLLAR LOCK	2
58	S-1781-61	LABEL - KNDN	1
59	S-1781-62	LABEL - KNUP	1
60	S-1818-4	THREADED COLLAR	4
61	S-1818-8	THREADED COLLAR	2

PL 5.5 Main Assembly 59000 (5/14)



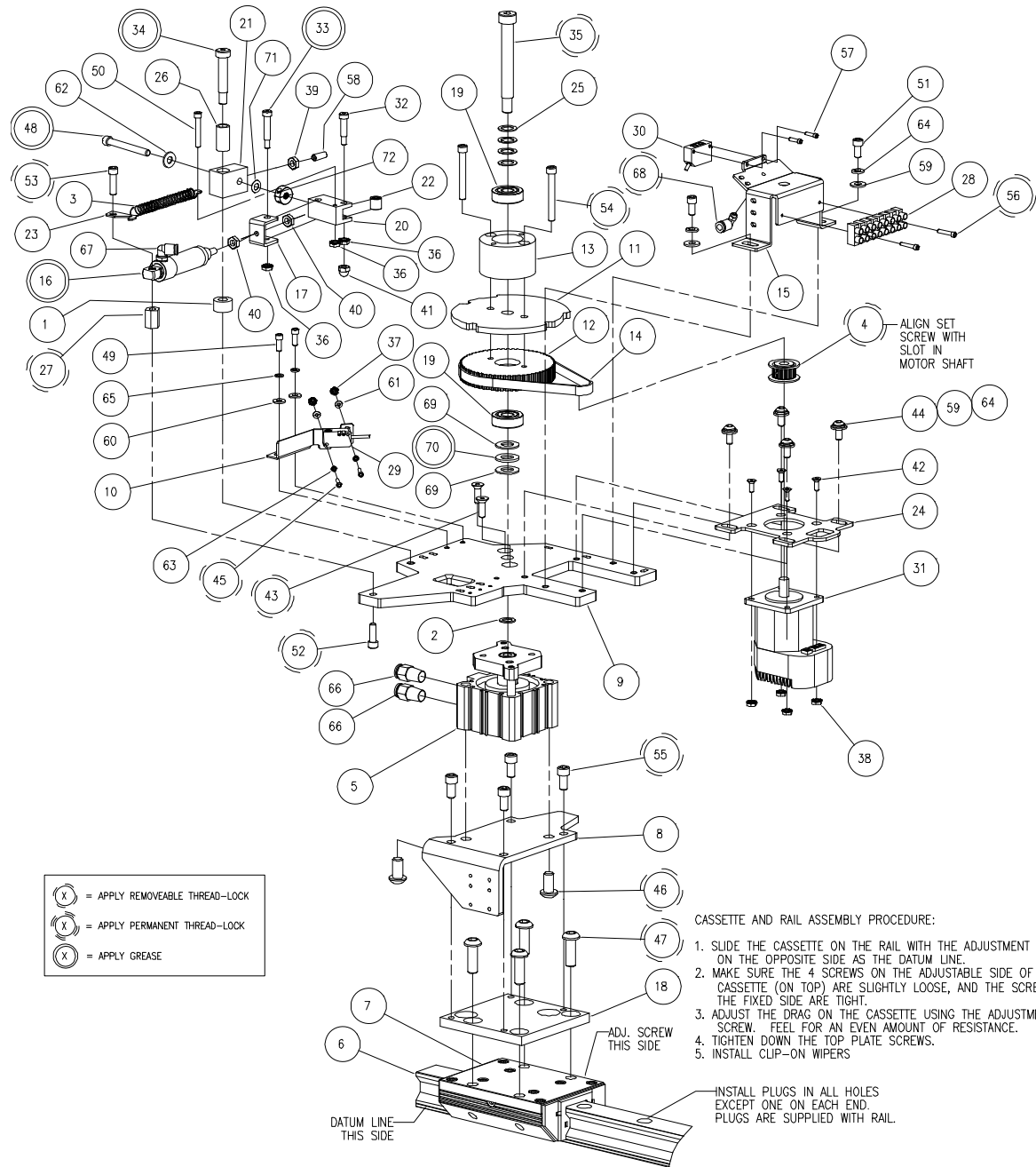
No.	Part Number	Description	Qty.
1	8815-1	WASHER - KNIFE SCREWS	2
2	56256	GIB INSERT	2
3	59006	RAMP	8
4	59024	KNIFE BAR LIFTER BLOCK	2
5	59025	KNIFE BAR LIFTER SPRING	2
6	59026	KNIFE BAR BEARING BLOCK	2
7	59028	KNIFE LATCH PLATE	1
8	59031	KNIFE LATCH CYLINDER	1
9	59156	ADJUSTMENT HANDLE	1
10	59254	KNIFE HEIGHT ADJ. ROD	1
11	59256	ADJ. ROD GUIDE	1
12	EE-2952-13	PROX - KNIFE LATCH - 'FL'	REF
13	H-6423-#4	NUT - #4-40 HEX KEP	2
14	H-6424-6	NUT - 3/8-16 HEX JAM	1
15	H-6428-4	NUT - 1/4-28 HEX JAM	1
16	H-6909-102404	SCREW - #10-24 X 1/2" FLT HD	1
17	H-6918-102408	SCREW - #10-24 X 1 SOC HD	2
18	H-6918-412	SCREW - 1/4-20 X 1-1/2 SOC HD	2
19	H-6918-44014	SCREW - #4-40 X 1-3/4 SOC HD	2
20	H-6918-516	SCREW - 5/16-18 X 2 SOC HD	4
21	H-6918-616	SCREW - 3/8-16 X 2 SOC HD	16
22	H-6940-608	SCREW - 3/8-16 X 1/2 FLAT SET	2
23	H-6968-102412	SCREW - #10-24 X 3/4 NYLOK SET	4
24	H-7324-#4	WASHER - #4 INT TOOTH	2
25	H-7327-12	WASHER - 3/8 MEDIUM LOCK	16
26	H-7327-8	WASHER - 1/4 MEDIUM LOCK	2
27	H-7327-#10	WASHER - #10 MEDIUM LOCK	2
28	P-503-401	ELBOW-1/4 TUBE X 1/8 NPT	1
29	S-1725-4	GREASE FITTING - 1/8 NPT	4

PL 5.6 Main Assembly 59000 (6/14)



No.	Part Number	Description	Qty.
1	8815-2	WASHER - KNIFE SCREWS (S/N'S 130TC-A-171026 & UP ONLY)	7
2	56194	BEARING - YOKE TYPE	4
3	56211	ROLLER BEARING	2
4	56215	SPACER	2
5	56255	GIB PLATE	2
6	56256	GIB INSERT	2
7	56260	AXLE	2
8	59004	KNIFE BAR	1
9	59005	BEARING SURFACE BLOCK	2
10	59008	GIB SUPPORT	2
11	59009	SPACER	2
12	59022	KNIFE SHIFT CYLINDER	1
13	59051-2	KNIFE - CMT-130 - SUPER HSS	1
14	59158	SENSOR ACTUATOR BRACKET	1
15	59165	KNIFE SHIFT CYLINDER	1
16	59166	KNIFE ADJ CYL BRACKET, LH	1
17	59167	KNIFE ADJ CYL BRACKET, RH	1
18	59168	AIR BLAST AND PROX BRACKET	1
19	A-10081-2	COLLAR - CLAMP	4
20	E-1152-116	STANDOFF	2
21	E-1152-122	STANDOFF	2
22	E-2196-27	HOLE PLUG	4
23	EE-3270	PROX. ASM. - REG. FRONT LIMIT	1
24	H-5254-840	SCREW - 1/2 X 5 SHSS	2
25	H-6417-6	NUT - 3/8-16 HEX	2
26	H-6424-6	NUT - 3/8-16 HEX JAM	6
27	H-6428-7	NUT - 7/16-20 HEX JAM	4
28	H-6909-102404	SCREW - #10-24 X 1/2" FLT HD	4
29	H-6909-406	SCREW - 1/4-20 X 3/4" FLT HD	4
30	H-6918-404	SCREW - 1/4-20 X 1/2 SOC HD	6
31	H-6910-606	SCREW - 3/8-16 X 3/4 BUT HD (S/N'S : 130TC-A-171025 & BELOW) SCREW - 3/8-16 X 3/4 SOC HD (S/N'S : 130TC-A-171026 & UP)	7
32	H-6918-814	SCREW - 1/2-13 X 1-3/4 SOC HD	4
33	H-6940-624	SCREW - 3/8-16 X 1-1/2 SOC SET	6
34	H-7321-4	WASHER - 1/4 SAE PLAIN	2
35	H-7321-6	WASHER - 3/8 SAE PLAIN	2
36	H-7321-8	WASHER - 1/2 SAE PLAIN	4
37	H-7327-12	WASHER - 3/8 MEDIUM LOCK	2
38	H-7327-16	WASHER - 1/2 MEDIUM LOCK	4
39	H-7327-8	WASHER - 1/4 MEDIUM LOCK	6
40	P-503-401	ELBOW-1/4 TUBE X 1/8 NPT	2
41	P-503-41032	ELBOW-1/4 TUBE X #10-32	2
42	P-504-41032	RUN TEE - 1/4 TUBE DIA X 10-32	2
43	P-509-401	DBLE UNIV. ELB. 1/4 T X 1/8 NPT	2

PL 5.7 Main Assembly 59000 (7/14)



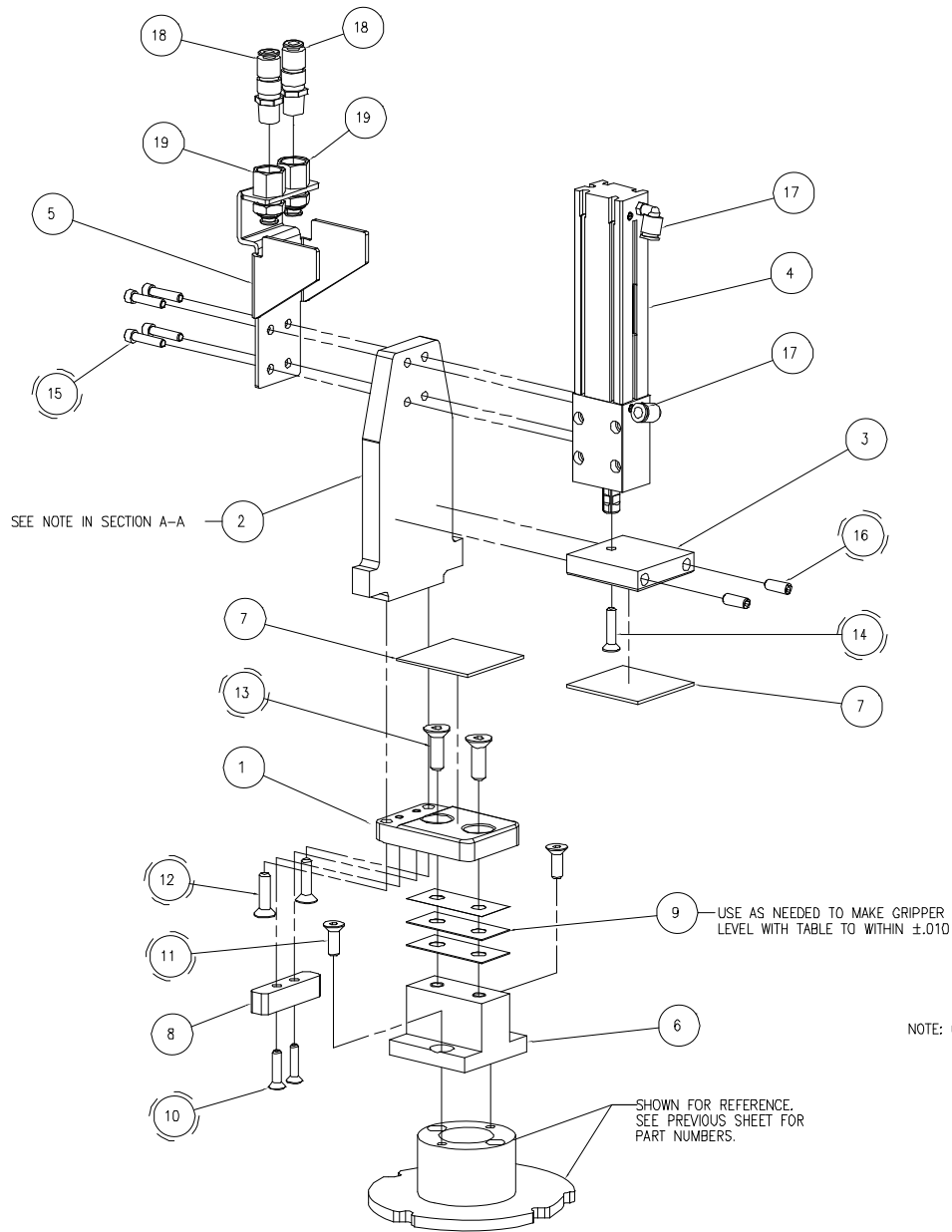
No.	Part Number	Description	Qty.
1	11288-38	WASHER/SPACER	1
2	20075-13	SHIM	1
3	47136-17	SPRING	1
4	56066-7	TIMING PULLEY - 15 GROOVE XL HUBLESS	1
5	59017	GRIPPER LIFT CYLINDER	1
6	59018	RAIL	1
7	59019	CASSETTE	1
8	59037	RAIL PLATE	1
9	59038-1	TRANSPORT PLATE	1
10	59079	PROXIMITY SENSOR BRACKET	1
11	59080	ROTARY LOCK DISK	1
12	59081	GRIPPER TIMING PULLEY	1
13	59082	GRIPPER RISER TUBE	1
14	59084	TIMING BELT - 156XL037	1
15	59085	ENCODER/PROX BRACKET	1
16	59088	GRIPPER LOCK CYLINDER	1
17	59089	CLEVIS	1
18	59090	RAIL ADAPTER PLATE	1
19	59097	BEARING- 12 ID X 32 OD X 10 TK BALL	2
20	59150-1	GRIPPER LOCK BLOCK	1
21	59151	GRIPPER LOCK BLOCK	1
22	59160	ROLLER BEARING	1
23	59161	SPRING HOOK	1
24	59170	MOTOR ADAPTER PLATE	1
25	61065-500032	SHLD SCR SHORTENING SHIM- 1/2	4
26	A-10172-34	BEARING - SLEEVE	1
27	E-1152-120	STANDOFF	1
28	E-2626-8	TERMINAL STRIP (8P)	1
29	EE-2952-15	PROX. ASM. - ROTATOR PRESET	1
30	EE-3319-1	GRIPPER BOOK SENSOR	1
31	EE-3509	MOTOR - SHORT	1
32	H-5254-406	SCREW - 1/4 X 3/4 SHSS	1
33	H-5254-408	SCREW - 1/4 X 1 SHSS	1
34	H-5254-612	SCREW - 3/8 X 1-1/2 SHSS	1
35	59189	SHOULDER SCR. - 12MM X 80MM, MACHINED	1
36	H-6423-#10	NUT - #10-24 HEX KEP	3
37	H-6423-#4	NUT - #4-40 HEX KEP	2
38	H-6423-#8	NUT - #8-32 HEX KEP	4
39	H-6424-4	NUT - 1/4-20 HEX JAM	1
40	H-6428-4	NUT - 1/4-28 HEX JAM	2
41	H-6432-#10	NUT - #10-24 ACORN NYLON	1
42	H-6909-83204	SCREW - #8-32 X 1/2' FLT HD	4
43	H-6909-M620	SCREW - M6 X 20MM FLT HD	2
44	H-6910-405	SCREW - 1/4-20 X 5/8 BUT HD	4
45	H-6910-44006	SCREW - #4-40 X 3/4 BUT HD	2
46	H-6910-M1020	SCREW - M10 X 20MM BUT HD	2
47	H-6910-M1030	SCREW - M10 X 30MM BUT HD	4
48	H-6915-418FT	SCREW - 1/4-28 X 2-1/4 SOC HD FULL THRD	1
49	H-6918-102404	SCREW - #10-24 X 1/2 SOC HD	2
50	H-6918-102410	SCREW - #10-24 X 1-1/4 SOC HD	1
51	H-6918-404	SCREW - 1/4-20 X 1/2 SOC HD	2
52	H-6918-406	SCREW - 1/4-20 X 3/4 SOC HD	1
53	H-6918-407	SCREW - 1/4-20 X 7/8 SOC HD	1
54	H-6918-416	SCREW - 1/4-20 X 2 SOC HD	2
55	H-6918-505	SCREW - 5/16-18 X 5/8 SOC HD	4
56	H-6918-63206	SCREW - #6-32 X 3/4 SOC HD	2
57	H-6918-M312	SCREW - M3 X 12MM SOC HD	2
58	H-6964-410	SCREW - 1/4-20 X 5/8 BRASS TIP SET	1
59	H-7321-4	WASHER - 1/4 SAE PLAIN	6
60	H-7321-#10	WASHER - #10 SAE PLAIN	2
61	H-7321-#4	WASHER - #4 SAE PLAIN	2
62	H-7322-4	WASHER - 1/4 POLISHED	1
63	H-7324-#4	WASHER - #4 INT TOOTH	2
64	H-7327-8	WASHER - 1/4 MEDIUM LOCK	6
65	H-7327-#10	WASHER - #10 MEDIUM LOCK	2
66	P-500-402	STRAIGHT FITTING-1/4 TUBE X 1/4 NPT	1
67	P-503-401	ELBOW-1/4 TUBE X 1/8 NPT	1
68	P-503-41032	ELBOW-1/4 TUBE X #10-32	1
69	S-1295-5	THRUST WASHER	2
70	S-1300	THRUST BEARING	1
71	S-1681-6	WASHER - WAVE SPRING	1
72	S-1818-7	THREADED COLLAR	1

CASSETTE AND RAIL ASSEMBLY PROCEDURE:

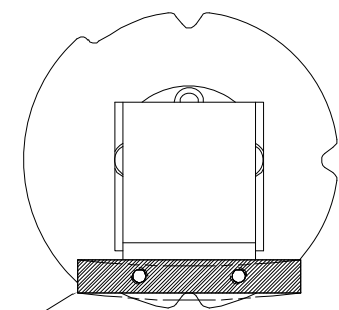
1. SLIDE THE CASSETTE ON THE RAIL WITH THE ADJUSTMENT SCREW ON THE OPPOSITE SIDE AS THE DATUM LINE.
2. MAKE SURE THE 4 SCREWS ON THE ADJUSTABLE SIDE OF THE CASSETTE (ON TOP) ARE SLIGHTLY LOOSE, AND THE SCREWS ON THE FIXED SIDE ARE TIGHT.
3. ADJUST THE DRAG ON THE CASSETTE USING THE ADJUSTMENT SCREW. FEEL FOR AN EVEN AMOUNT OF RESISTANCE.
4. TIGHTEN DOWN THE TOP PLATE SCREWS.
5. INSTALL CLIP-ON WIPERS

INSTALL PLUGS IN ALL HOLES EXCEPT ONE ON EACH END. PLUGS ARE SUPPLIED WITH RAIL.

PL 5.8 Main Assembly 59000 (8/14)



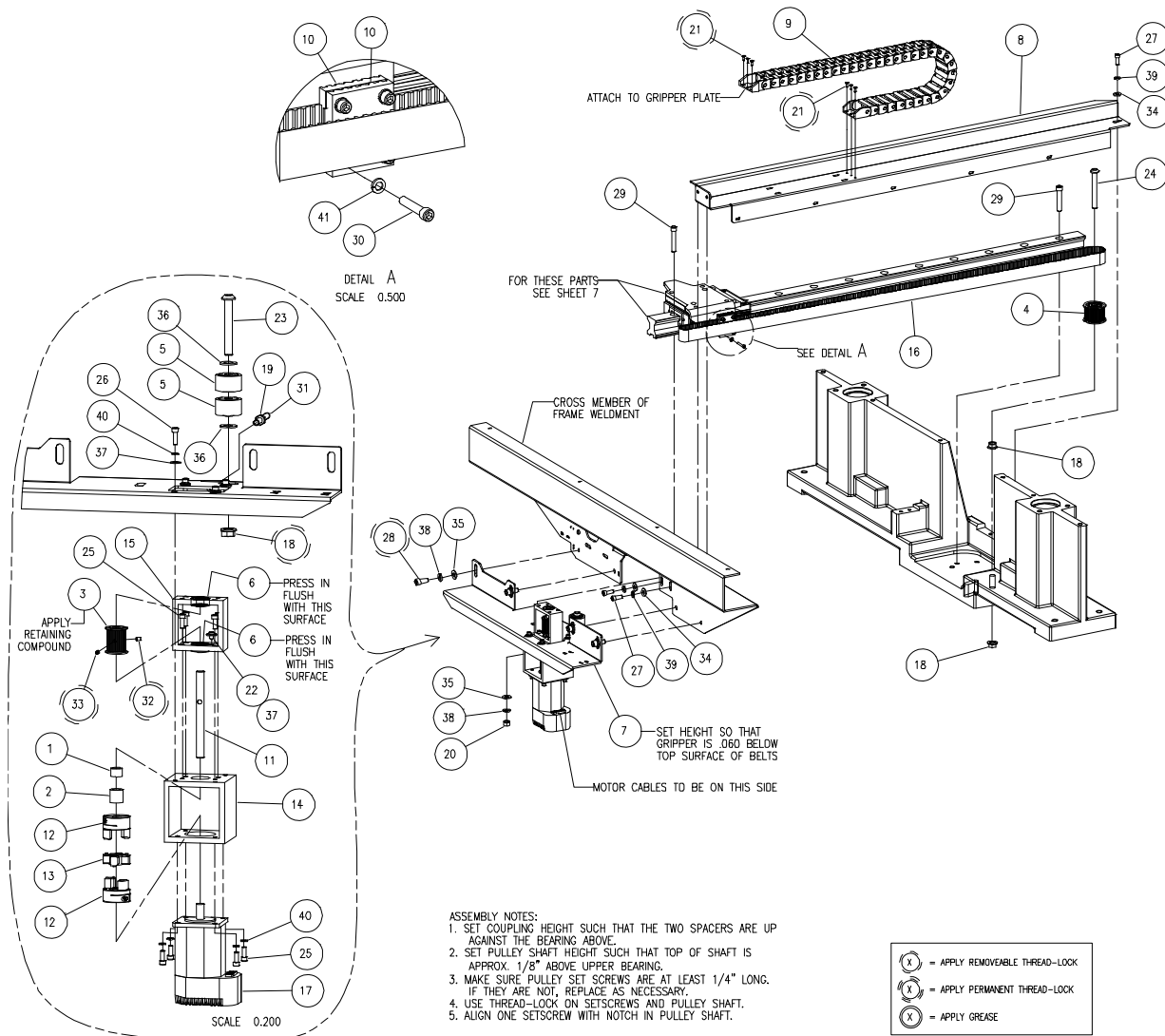
No.	Part Number	Description	Qty.
1	59013	GRIPPER BOTTOM PLATE	1
2	59014	GRIPPER BACK PLATE	1
3	59015	GRIPPER TOP PLATE	1
4	59016	AIR CYLINDER - GRIPPER	1
5	59047	AIR FITTING BRACKET	1
6	59083	GRIPPER MOUNTING BLOCK	1
7	59153-1	GRIPPER CLAMP PAD	2
8	59190	BUMPER	1
9	59313	SHIM - GRIPPER	3
10	H-6909-102407	SCREW - #10-24 X 7/8" FLT HD	2
11	H-6909-406	SCREW - 1/4-20 X 3/4" FLT HD	2
12	H-6909-408	SCREW - 1/4-20 X 1" FLT HD	2
13	H-6909-508	SCREW - 5/16-18 X 1" FLT HD	2
14	H-6909-M525	SCREW - M5 X 25MM FLT HD	1
15	H-6918-M522	SCREW - M5 X 22MM SOC HD	4
16	H-6964-410	SCREW - 1/4-20 X 5/8 BRASS TIP	2
17	P-503-41032	ELBOW-1/4 TUBE X #10-32	2
18	P-525-402	ROTARY FTNG - 1/4 T X 1/4 NPT	2
19	P-526-402	BULKHD FTNG - 1/4 T X 1/4 NPT	2



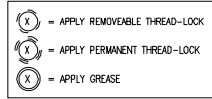
SECTION A-A
TOP VIEW
SCALE 0.500

- (X) = APPLY REMOVEABLE THREAD-LOCK
- (X) = APPLY PERMANENT THREAD-LOCK
- (X) = APPLY GREASE

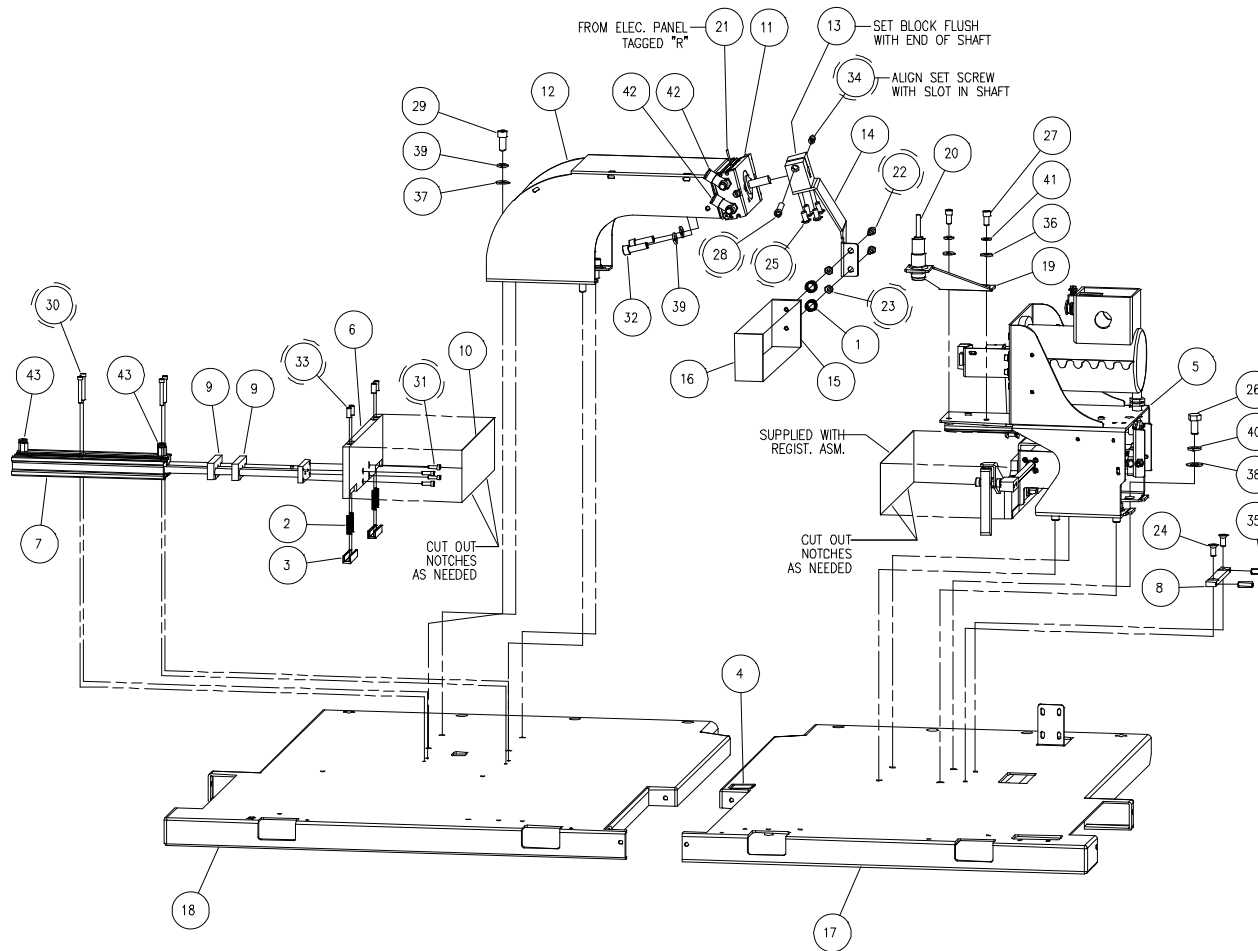
PL 5.9 Main Assembly 59000 (9/14)



No.	Part Number	Description	Qty.
1	11288-1	WASHER/SPACER	1
2	11288-34	WASHER/SPACER	1
3	56066-6	TIMING PULLEY - 15T T5 X 25MM	1
4	56067-2	IDLER PULLEY - 25T T5 X 25MM	1
5	56071-1	IDLER BEARING	2
6	56552	BALL BEARING- 3/8 X .875	2
7	59049-1	CROSS BRACKET	1
8	59071-1	BELT GUARD/CABLE TRACK	1
9	59072	CABLE CARRIER	1
10	59091-1	CLAMP - T5, 25MM WIDE	2
11	59171	PULLEY SHAFT	1
12	59172	COUPLING HUB	2
13	59173	COUPLING SPIDER	1
14	59174	MOTOR MOUNT	1
15	59175	PULLEY SUPPORT BLOCK	1
16	59188	TIMING BELT - T5 X 25MM	78.5"
17	EE-3510	MOTOR - LONG	1
18	H-6414-6	NUT - 3/8-16 WHIZ LOCK	3
19	H-6417-4	NUT - 1/4-20 HEX	1
20	H-6417-5	NUT - 5/16-18 HEX	1
21	H-6909-44003	SCREW - #4-40 X 3/8" FLT HD	6
22	H-6910-102402	SCREW - #10-24 X 1/4 BUT HD	1
23	H-6910-622	SCREW - 3/8-16 X 2-3/4 BUT HD	1
24	H-6910-624	SCREW - 3/8-16 X 3 BUT HD	1
25	H-6918-102404	SCREW - #10-24 X 1/2 SOC HD	8
26	H-6918-102405	SCREW - #10-24 X 5/8 SOC HD	4
27	H-6918-405	SCREW - 1/4-20 X 5/8 SOC HD	3
28	H-6918-506	SCREW - 5/16-18 X 3/4 SOC HD	4
29	H-6918-514	SCREW - 5/16-18 X 1-3/4 SOC HD	2
30	H-6918-83207	SCREW - #8-32 X 7/8 SOC HD	4
31	H-6938-440	SCREW - 1/4-20 X 2-1/2 SOC SET	1
32	H-6938-M405	SCREW - M4 X 5MM SOC SET	1
33	H-6938-M408	SCREW - M4 X 8MM SOC SET	1
34	H-7321-4	WASHER - 1/4 SAE PLAIN	3
35	H-7321-5	WASHER - 5/16 SAE PLAIN	5
36	H-7321-6	WASHER - 3/8 SAE PLAIN	2
37	H-7321-#10	WASHER - #10 SAE PLAIN	5
38	H-7327-10	WASHER - 5/16 MEDIUM LOCK	5
39	H-7327-8	WASHER - 1/4 MEDIUM LOCK	3
40	H-7327-#10	WASHER - #10 MEDIUM LOCK	8
41	H-7327-#8	WASHER - #8 MEDIUM LOCK	4



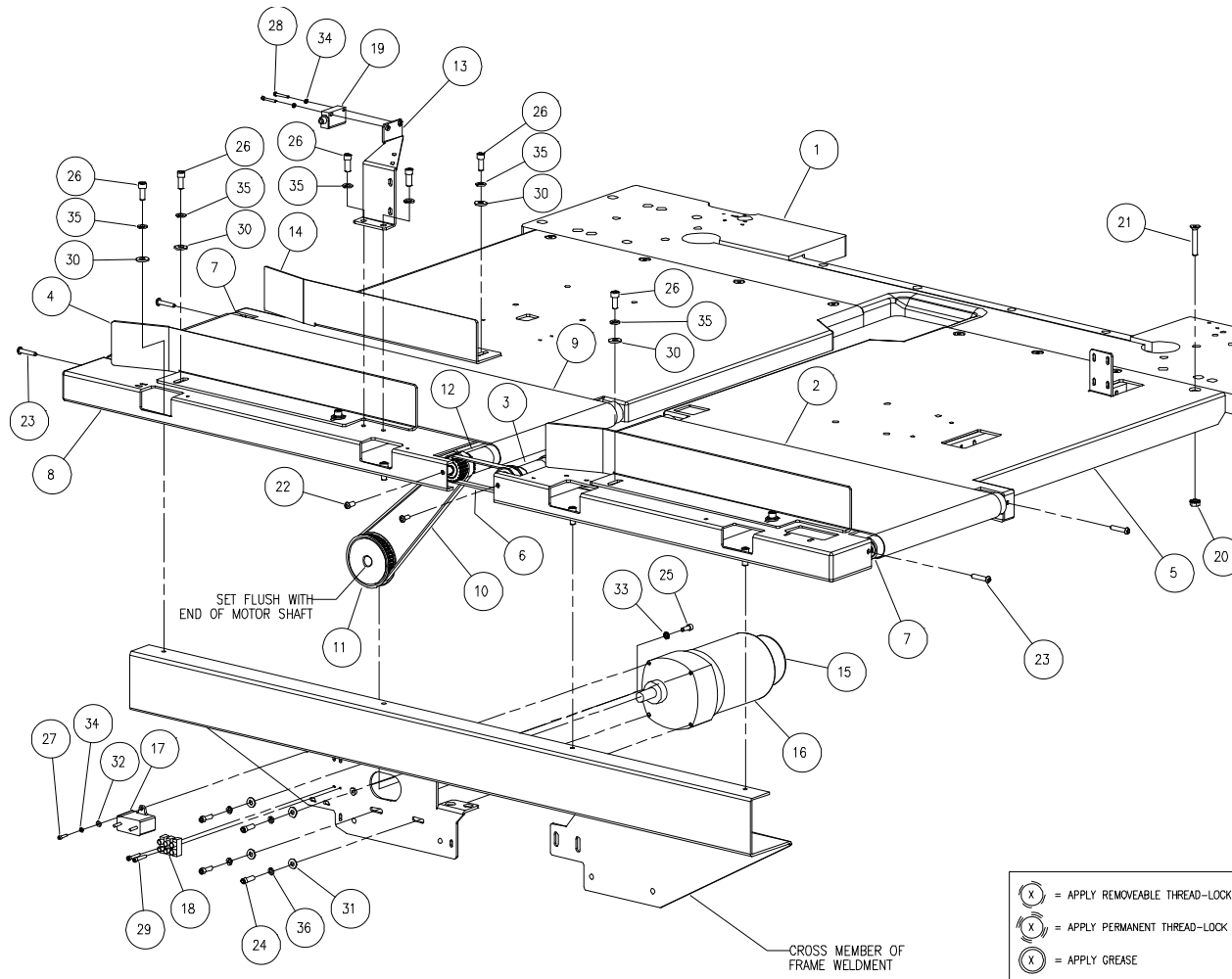
PL 5.10 Main Assembly 59000 (10/14)



No.	Part Number	Description	Qty.
1	35049-1	SPRING	2
2	56075	JOGGER PLATE SPRING	4
3	56076	FLOATING GUIDE	2
4	56180	REFLECTIVE TAPE - 1" WIDE	1"
5	56311-3	REGISTRATION ASM - CMT-130	1
6	56331-3	JOGGER PLATE	1
7	56357-1	JOGGER CYLINDER	1
8	56368	REGISTRATION SQRG BLOCK	1
9	56566	RUBBER BUMPER	2
10	56569	2.75" WIDE P.E. TAPE	10"
11	56951-2	ROTARY AIR CYLINDER	1
12	56953-2	ROTARY CYLINDER BRACKET	1
13	56955-1	MOUNTING BLOCK	1
14	56956-1	BRACKET - FACE JOG	1
15	56957-1	FACE JOGGER PLATE	1
16	56959-1	NYLON LOOP PAD	1
17	59046	TABLE - RH	1
18	59068	TABLE - LH	1
19	59182	BOOK WIDTH SENSOR BRACKET	1
20	E-3277	PHOTOELECTRIC SWITCH	1
21	EE-3535-3	MAGNETIC SWITCH ASM	REF
22	H-5254-403	SCREW - 1/4 X 3/8 SHSS	2
23	H-6417-#10	NUT - #10-24 HEX	2
24	H-6909-405	SCREW - 1/4-20 X 5/8" FLT HD	2
25	H-6910-404	SCREW - 1/4-20 X 1/2 BUT HD	4
26	H-6913-606	SCREW - 3/8-16 X 3/4 HEX HD	4
27	H-6918-404	SCREW - 1/4-20 X 1/2 SOC HD	2
28	H-6918-410	SCREW - 1/4-20 X 1-1/4 SOC HD	1
29	H-6918-506	SCREW - 5/16-18 X 3/4 SOC HD	4
30	H-6918-83210	SCREW - #8-32 X 1-1/4 SOC HD	4
31	H-6918-M412	SCREW - M4 X 12MM SOC HD	4
32	H-6918-M825	SCREW - M8 X 25MM SOC HD	2
33	H-6938-408	SCREW - 1/4-20 X 1/2 CUP SET	4
34	H-6938-83208	SCREW - #8-32 X 1/2 CUP SET	1
35	H-6968-102412	SCREW - #10-24 X 3/4 NYLOK SET	2
36	H-7321-4	WASHER - 1/4 SAE PLAIN	2
37	H-7321-5	WASHER - 5/16 SAE PLAIN	4
38	H-7321-6	WASHER - 3/8 SAE PLAIN	4
39	H-7327-10	WASHER - 5/16 MEDIUM LOCK	6
40	H-7327-12	WASHER - 3/8 MEDIUM LOCK	4
41	H-7327-8	WASHER - 1/4 MEDIUM LOCK	2
42	P-304	FLOW CTRL ELB.-1/4 T X 1/8 NPT	2
43	P-500-41032	STR. FTG-1/4 TUBE X 10-32 UNF	2

	= APPLY REMOVABLE THREAD-LOCK
	= APPLY PERMANENT THREAD-LOCK
	= APPLY GREASE

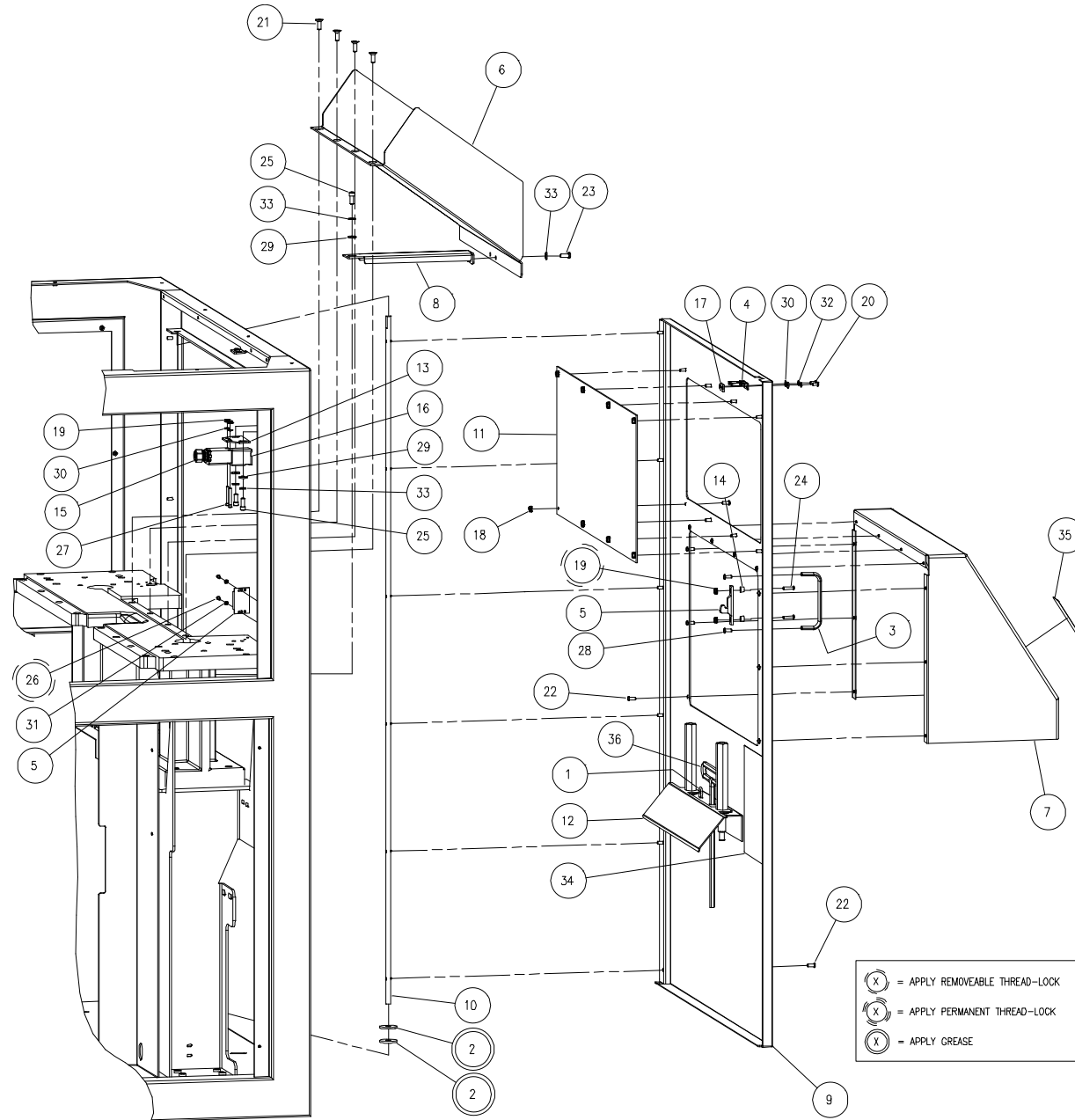
PL 5.11 Main Assembly 59000 (11/14)



No.	Part Number	Description	Qty.
1	59001	TABLE	1
2	59029	ENDLESS BELT	1
3	59042	DRIVE ROLLER ASSEMBLY	1
4	59045	GUIDE BRACKET	2
5	59046	TABLE - RH	1
6	59048	TIMING BELT - 110XL037	1
7	59066	ROLLER ASSEMBLY	2
8	59068	TABLE - LH	1
9	59069	ENDLESS BELT	1
10	59074	TIMING BELT - 226XL037	1
11	59075	TIMING PULLEY	1
12	59077	DRIVE ROLLER ASM	1
13	59183	SENSOR MOUNTING BRACKET	1
14	59185	GUIDE BRACKET	1
15	E-1165-7	BRAKE	1
16	E-1600-163	GEAR MOTOR	1
17	E-2181-4	CAPACITOR	1
18	E-2626-3	TERMINAL STRIP (3P)	1
19	E-3522	THICKNESS SENSOR	1
20	H-6423-4	NUT - 1/4-20 HEX KEP	8
21	H-6909-412	SCREW - 1/4-20 X 1-1/2" FLT HD	8
22	H-6910-102404	SCREW - #10-24 X 1/2 BUT HD	4
23	H-6910-102408	SCREW - #10-24 X 1 BUT HD	4
24	H-6915-103205	SCREW - #10-32 X 5/8 SOC HD	4
25	H-6918-102404	SCREW - #10-24 X 1/2 SOC HD	1
26	H-6918-405	SCREW - 1/4-20 X 5/8 SOC HD	12
27	H-6918-44004	SCREW - #4-40 X 1/2 SOC HD	1
28	H-6918-44006	SCREW - #4-40 X 3/4 SOC HD	2
29	H-6918-63206	SCREW - #6-32 X 3/4 SOC HD	2
30	H-7321-4	WASHER - 1/4 SAE PLAIN	10
31	H-7321-#10	WASHER - #10 SAE PLAIN	4
32	H-7321-#4	WASHER - #4 SAE PLAIN	1
33	H-7324-#10	WASHER - #10 INT TOOTH	1
34	H-7324-#4	WASHER - #4 INT TOOTH	3
35	H-7327-8	WASHER - 1/4 MEDIUM LOCK	12
36	H-7327-#10	WASHER - #10 MEDIUM LOCK	4

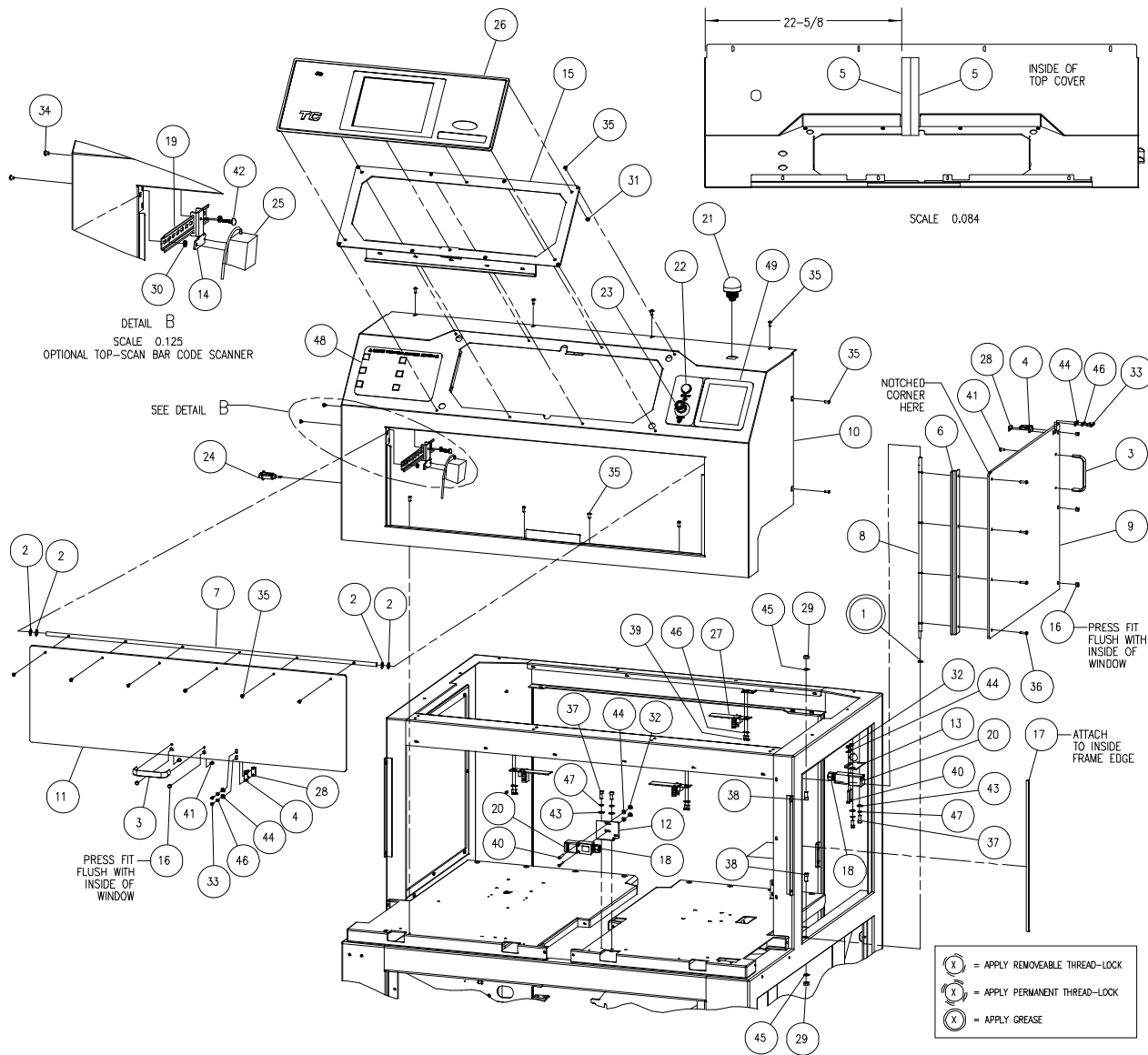
(X)	= APPLY REMOVEABLE THREAD-LOCK
(X)	= APPLY PERMANENT THREAD-LOCK
(X)	= APPLY GREASE

PL 5.12 Main Assembly 59000 (12/14)



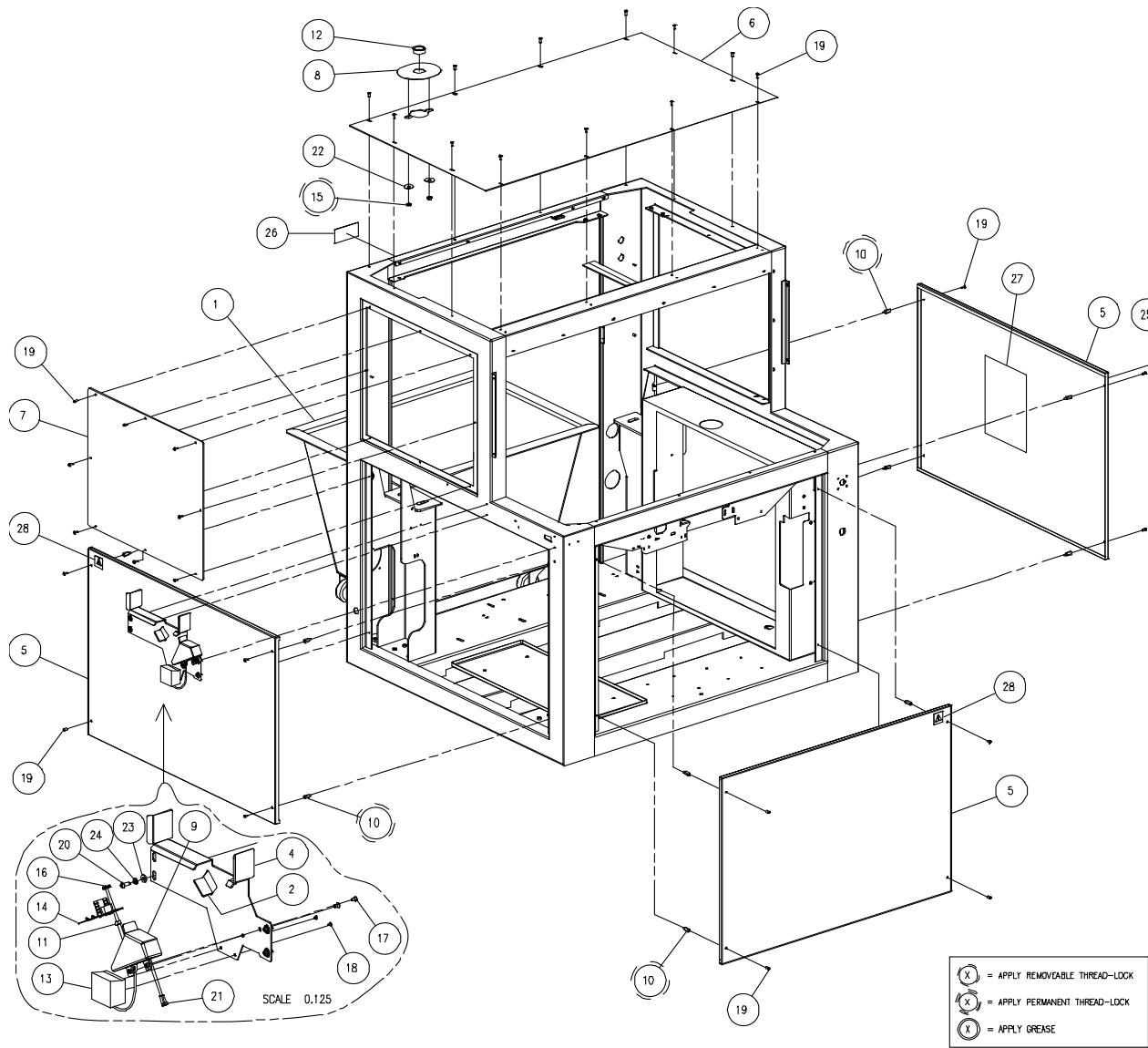
No.	Part Number	Description	Qty.
1	5064	CUT STICK PULLER	1
2	11288-37	WASHER/SPACER	2
3	13940-1	HANDLE	1
4	45180-4	ACTUATOR KEY - INTERLOCK	1
5	56853-1	GRABBER DOOR CATCH	1
6	59040	CHUTE	1
7	59052	CHUTE COVER	1
8	59053	CHUTE SUPPORT	1
9	59056	REAR DOOR	1
10	59057	DOOR HINGE ROD, 51-1/4"	1
11	59061	REAR WINDOW PANEL	1
12	59070	KNIFE LIFTER ASM - CMT-130	1
13	59179	INTERLOCK SWITCH BRACKET	1
14	E-1152-99	STANDOFF	2
15	E-1886-2	CONNECTOR - CORD GRIP	1
16	E-2747-7	INTERLOCK SWITCH BODY	1
17	H-6416-832-6	WELDNUT - #8-32 TWIN PILOT	1
18	H-6423-#10	NUT - #10-24 HEX KEP	8
19	H-6423-#8	NUT - #8-32 HEX KEP	4
20	H-6888-83203	SCREW - #8-32 X 3/8 TMPR PRF	2
21	H-6909-406	SCREW - 1/4-20 X 3/4" FLT HD	4
22	H-6910-102404	SCREW - #10-24 X 1/2 BUT HD	24
23	H-6910-405	SCREW - 1/4-20 X 5/8 BUT HD	1
24	H-6910-83206	SCREW - #8-32 X 3/4 BUT HD	2
25	H-6918-405	SCREW - 1/4-20 X 5/8 SOC HD	3
26	H-6918-63204	SCREW - #6-32 X 1/2 SOC HD	2
27	H-6918-83210	SCREW - #8-32 X 1-1/4 SOC HD	2
28	H-6920-103204	SCREW - #10-32 X 1/2 BUT HD	2
29	H-7321-4	WASHER - 1/4 SAE PLAIN	3
30	H-7321-#8	WASHER - #8 SAE PLAIN	4
31	H-7324-#6	WASHER - #6 INT TOOTH	2
32	H-7324-#8	WASHER - #8 INT TOOTH	2
33	H-7327-8	WASHER - 1/4 MEDIUM LOCK	4
34	S-1781-221	LABEL - KNIFE CHANGE	1
35	S-1781-39	LABEL - MOVING PARTS HAZARD	1
36	W-164	WRENCH - 5/16" HEX T-HANDLE	1

PL 5.13 Main Assembly 59000 (13/14)

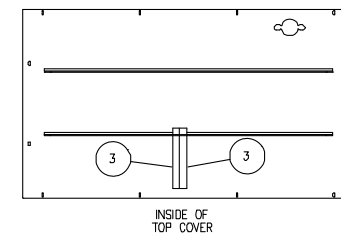


No.	Part Number	Description	Qty.
1	11288-36	WASHER/SPACER	1
2	11288-5	WASHER/SPACER	4
3	13940-1	HANDLE	2
4	45180-4	KEY - INTERLOCK SWITCH	2
5	56180	REFLECTIVE TAPE - 1" WIDE	9"
6	59035	DOOR BRACKET	1
7	59055	DOOR HINGE ROD, 40-1/2"	1
8	59058	DOOR HINGE ROD, 21-1/2"	1
9	59059	RH DOOR	1
10	59063-1	TOP FRONT COVER	1
11	59065	UPPER FRONT DOOR	1
12	59169	INTERLOCK SWITCH BRACKET	1
13	59179	INTERLOCK SWITCH BRACKET	1
14	59180	BARCODE SCANNER BRACKET	1
15	59181	BEZEL	1
16	60053-1	MAGNET - RARE EARTH	5
17	BY-6387	RUBBER TRIM	24"
18	E-1886-2	CONNECTOR - CORD GRIP	2
19	E-1977-21	MOUNTING RAIL - 10" LONG	1
20	E-2747-7	INTERLOCK SWITCH BODY	2
21	E-2981-2	STATUS LIGHT	1
22	E-3073-1	SWITCH - GREEN	1
23	E-3127-5	SWITCH - RED STOP	1
24	E-3277-2	SWITCH - RETROREFLECTIVE	1
25	E-3551	BAR CODE SCANNER	1
26	EE-3456-6	CONSOLE ASM - 130 TC	1
27	EE-3502-1	LED LIGHT BOARD	3
28	H-6416-832-6	WELDNUT - #8-32 TWIN PILOT	2
29	H-6417-5	NUT - 5/16-18 HEX	2
30	H-6423-#10	NUT - #10-24 HEX KEP	2
31	H-6423-#6	NUT - #6-32 HEX KEP	6
32	H-6423-#8	NUT - #8-32 HEX KEP	4
33	H-6888-83204	SCREW - #8-32 X 1/2 BUT. HD T.P.	4
34	H-6910-102402	SCREW - #10-24 X 1/4 BUT HD	2
35	H-6910-102404	SCREW - #10-24 X 1/2 BUT HD	26
36	H-6910-102406	SCREW - #10-24 X 3/4 BUT HD	4
37	H-6918-405	SCREW - 1/4-20 X 5/8 SOC HD	4
38	H-6918-505	SCREW - 5/16-18 X 5/8 SOC HD	2
39	H-6918-83203	SCREW - #8-32 X 3/8 SOC HD	6
40	H-6918-83210	SCREW - #8-32 X 1-1/4 SOC HD	4
41	H-6920-103204	SCREW - #10-32 X 1/2 BUT HD	4
42	H-6955-102406	THUMBSCREW - #10-24 X 3/4"	1
43	H-7321-4	WASHER - 1/4 SAE PLAIN	4
44	H-7321-#8	WASHER - #8 SAE PLAIN	8
45	H-7324-10	WASHER - 5/16 INT TOOTH	2
46	H-7324-#8	WASHER - #8 INT TOOTH	10
47	H-7327-8	WASHER - 1/4 MEDIUM LOCK	4
48	S-1781-116	LABEL - WARNING	1
49	S-1781-217	LABEL - START/STOP	1

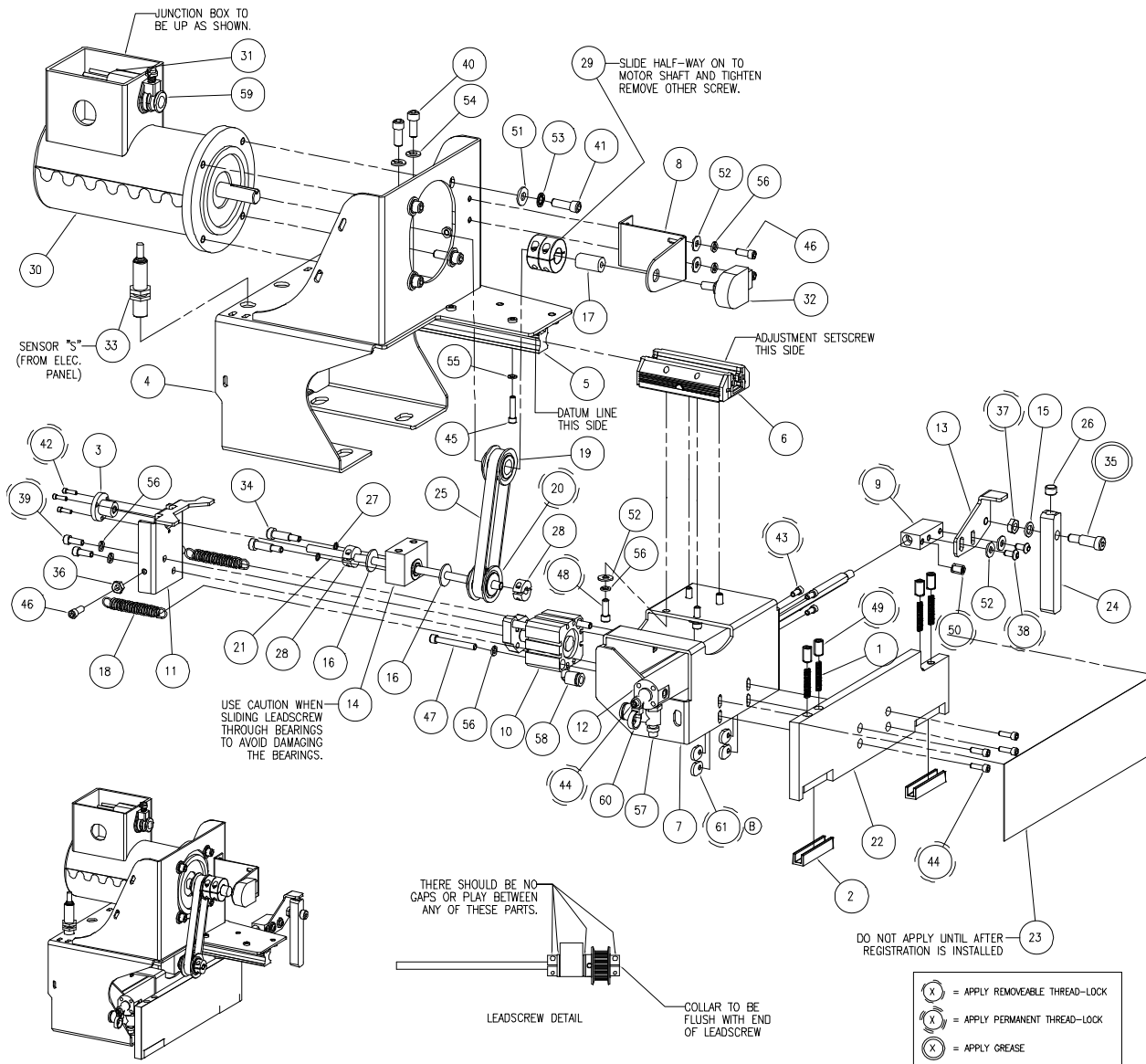
PL 5.14 Main Assembly 59000 (14/14)



No.	Part Number	Description	Qty.
1	41058	WASTE BIN	1
2	56180	REFLECTIVE TAPE - 1" WIDE	1-1/2"
3	56180	REFLECTIVE TAPE - 1" WIDE	9"
4	56532-2	INFEEED BRIDGE	1
5	59060	LOWER COVER	3
6	59062	TOP COVER	1
7	59064	WINDOW PANEL	1
8	59157	ADJUSTMENT HANDLE COVER	1
9	59184	LED LIGHT BRACKET/COVER	1
10	E-1152-61	STANDOFF	12
11	E-1152-9	STANDOFF	2
12	E-1172-24	SNAP-IN BUSHING	1
13	E-3551	BAR CODE SCANNER	1
14	EE-3502-1	LED LIGHT BOARD	1
15	H-6423-4	NUT - 1/4-20 HEX KEP	2
16	H-6423-#8	NUT - #8-32 HEX KEP	2
17	H-6909-102403	SCREW - #10-24 X 3/8" FLT HD	2
18	H-6909-M305	SCREW - M3 X 5MM FLT HD	2
19	H-6910-102404	SCREW - #10-24 X 1/2 BUT HD	32
20	H-6910-405	SCREW - 1/4-20 X 5/8 BUT HD	4
21	H-6918-83205	SCREW - #8-32 X 5/8 SOC HD	2
22	H-6993-510	WASHER - 5/16 X 1-1/4 FENDER	2
23	H-7321-4	WASHER - 1/4 SAE PLAIN	4
24	H-7327-8	WASHER - 1/4 MEDIUM LOCK	4
25	S-1781-12	LABEL - SHOCK HAZARD	1
26	S-1781-220	LABEL - KNIFE ADJUST	1
27	S-1781-223	LABEL - POWER CONNECTION	1
28	S-1781-50	LABEL - ELECTRIC SHOCK	2



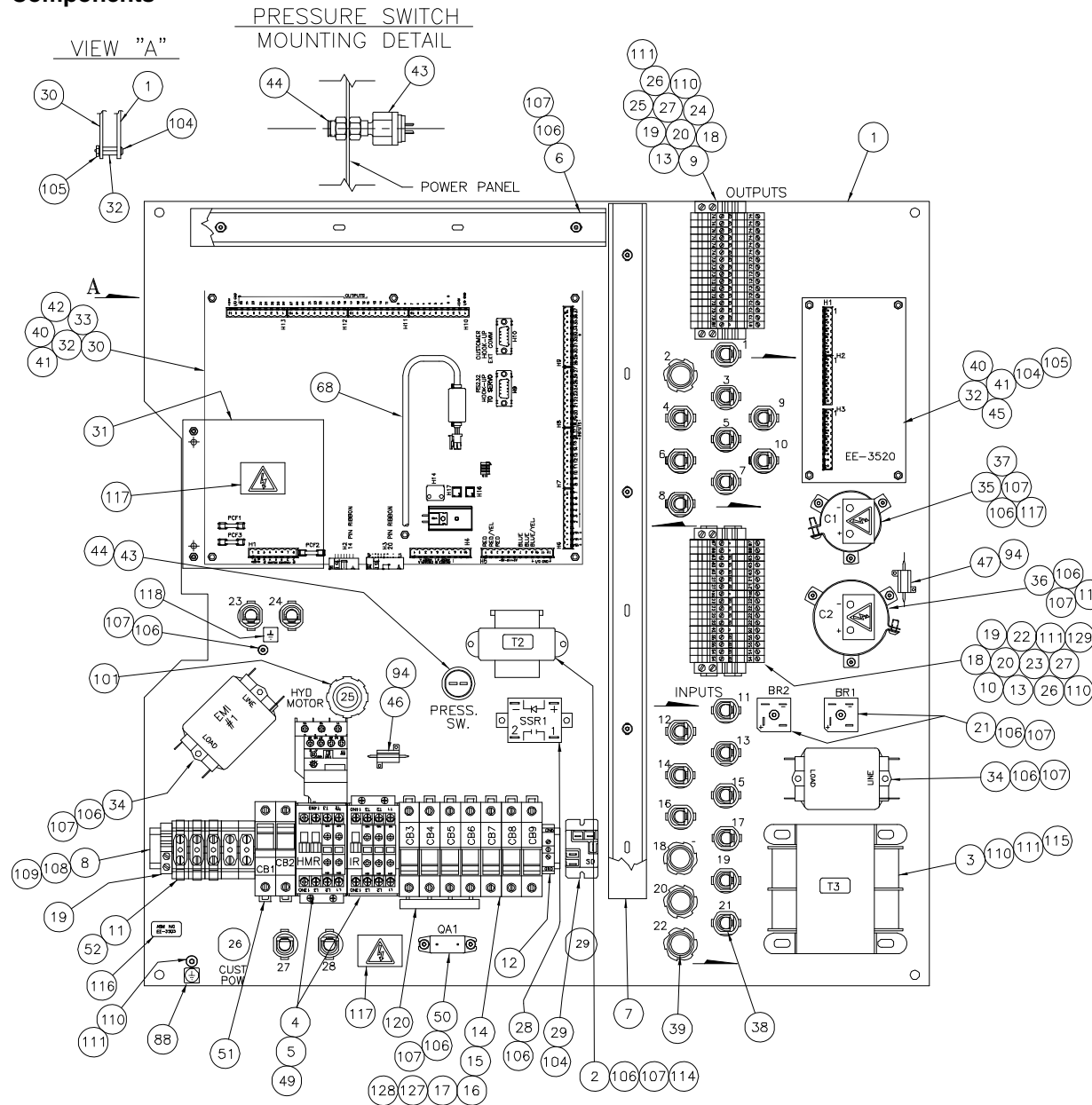
PL 5.15 Registration Asm. 56311-3



No.	Part Number	Description	Qty.
1	56075	JOGGER PLATE SPRING	4
2	56076	FLOATING GUIDE	2
3	56310	LEADSCREW NUT	1
4	59301	REGISTRATION BRACKET	1
5	59303	RAIL	1
6	59304	CASSETTE	1
7	59305	PUSHER BRACKET	1
8	59307	ENCODER BRACKET	1
9	59308	BOOK STOP BLOCK	1
10	59309	AIR CYLINDER - GUIDED	1
11	59310	LEADSCREW BRACKET	1
12	59311	AIR CYLINDER - NON ROTATING	1
13	59312	BOOK STOP BRACKET	1
14	59316	BEARING BLOCK ASSEMBLY	1
15	11288-33	WASHER/SPACER	1
16	11288-42	WASHER/SPACER	2
17	47053-3	COUPLING	1
18	47136-18	SPRING	2
19	56066-2	TIMING PULLEY - 15 GROOVE XL	1
20	56066-3	TIMING PULLEY - 15 GROOVE XL	1
21	56309-1	LEAD SCREW	1
22	56331-5	JOGGER PLATE	1
23	56569	2.75" WIDE P.E. TAPE	10"
24	56964-1	BOOK STOP	1
25	59048	TIMING BELT- 290XL037	1
26	60053-1	MAGNET - RARE EARTH	1
27	61034-250032	SHLD SCR LENGTHENING SHIM- 1/4	2
28	A-10081-8	COLLAR - CLAMP, 1/4ID 2PC	2
29	A-10081-9	COLLAR - ONE PIECE DOUBLE WIDE	1
30	E-1600-166	MOTOR- 180VDC	1
31	E-1736-2	QUENCHARC	1
32	E-2467-1	ENCODER	1
33	EE-2973-9	PROX. ASM. - SIDE GUIDE PRESET	REF
34	H-5254-405	SCREW - 1/4 X 5/8 SHSS	2
35	H-5254-505	SCREW - 5/16 X 5/8 SHSS	1
36	H-6417-#10	NUT - #10-24 HEX	2
37	H-6424-4	NUT - 1/4-20 HEX JAM	1
38	H-6910-102403	SCREW - #10-24 X 3/8 BUT HD	2
39	H-6915-103204	SCREW - #10-32 X 1/2 SOC HD	2
40	H-6918-405	SCREW - 1/4-20 X 5/8 SOC HD	2
41	H-6918-406	SCREW - 1/4-20 X 3/4 SOC HD	4
42	H-6918-44003	SCREW - #4-40 X 3/8 SOC HD	3
43	H-6918-83203	SCREW - #8-32 X 3/8 SOC HD	4
44	H-6918-83204	SCREW - #8-32 X 1/2 SOC HD	5
45	H-6918-83206	SCREW - #8-32 X 3/4 SOC HD	4
46	H-6918-102404	SCREW - #10-24 X 1/2 SOC HD	4
47	H-6918-102412	SCREW - #10-24 X 1-1/2 SOC HD	2
48	H-6918-M514	SCREW - M5 X 14MM SOC HD	4
49	H-6938-408	SCREW - 1/4-20 X 1/2 CUP SOC SET	4
50	H-6938-102406	SCREW - #10-24 X 3/8 CUP SOC SET	1
51	H-7321-4	WASHER - 1/4 SAE PLAIN	4
52	H-7321-#10	WASHER - #10 SAE PLAIN	8
53	H-7324-8	WASHER - 1/4 INT TOOTH	4
54	H-7327-8	WASHER - 1/4 MEDIUM LOCK	2
55	H-7327-#8	WASHER - #8 MEDIUM LOCK	4
56	H-7327-#10	WASHER - #10 MEDIUM LOCK	10
57	P-304	FLOW CTRL ELB.-1/4 TUBE X 1/8 NPT	2
58	P-503-41032	ELBOW-1/4 TUBE X #10-32	1
59	S-1350-16	STRAIN RELIEF BUSHING	1
60	S-1694-2	TYRAP - #10	1
61	S-1729-5	WELDNUT - #8-32	4

PL 5.16 Power Panel EE-3503 (1/2)

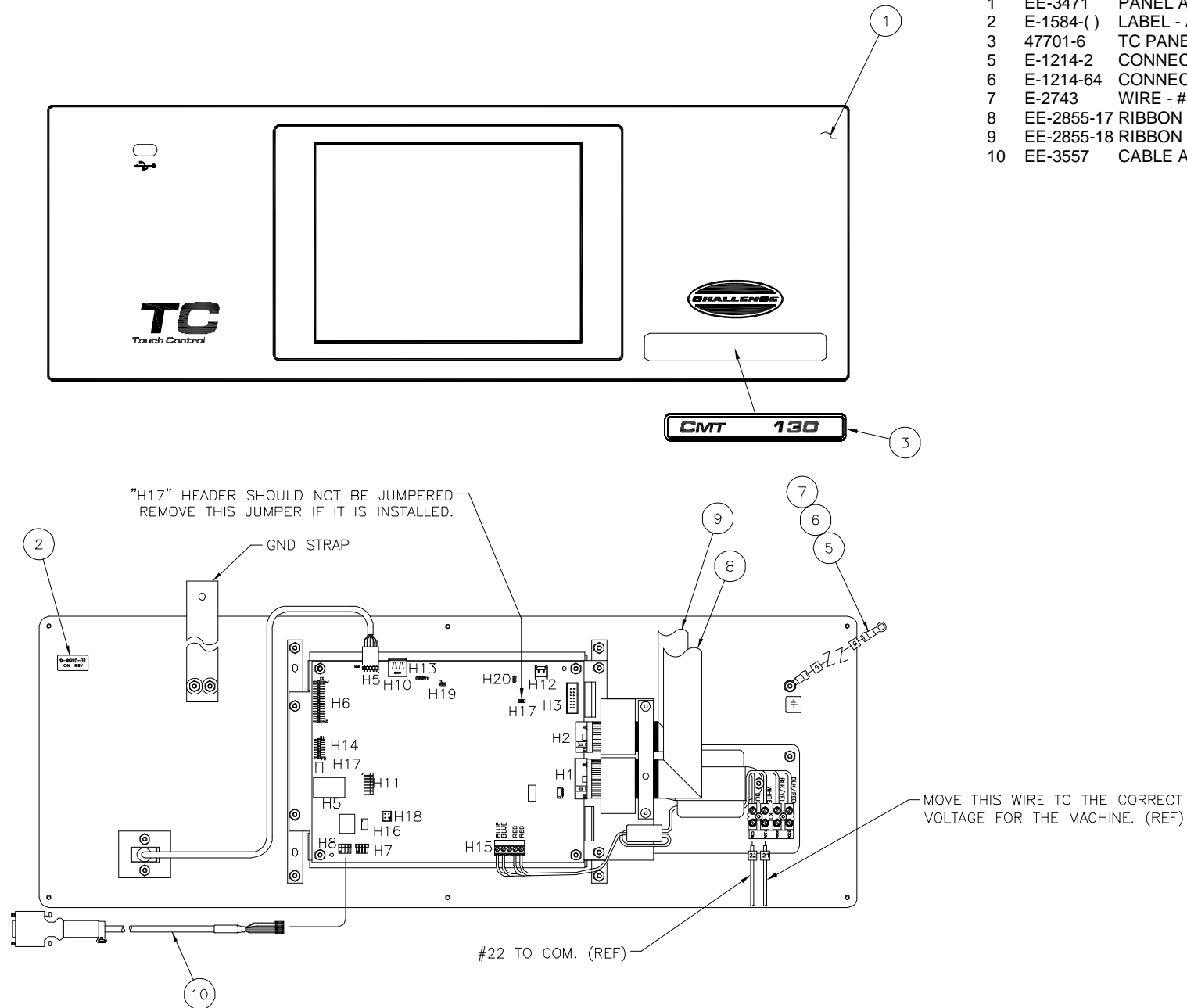
Components



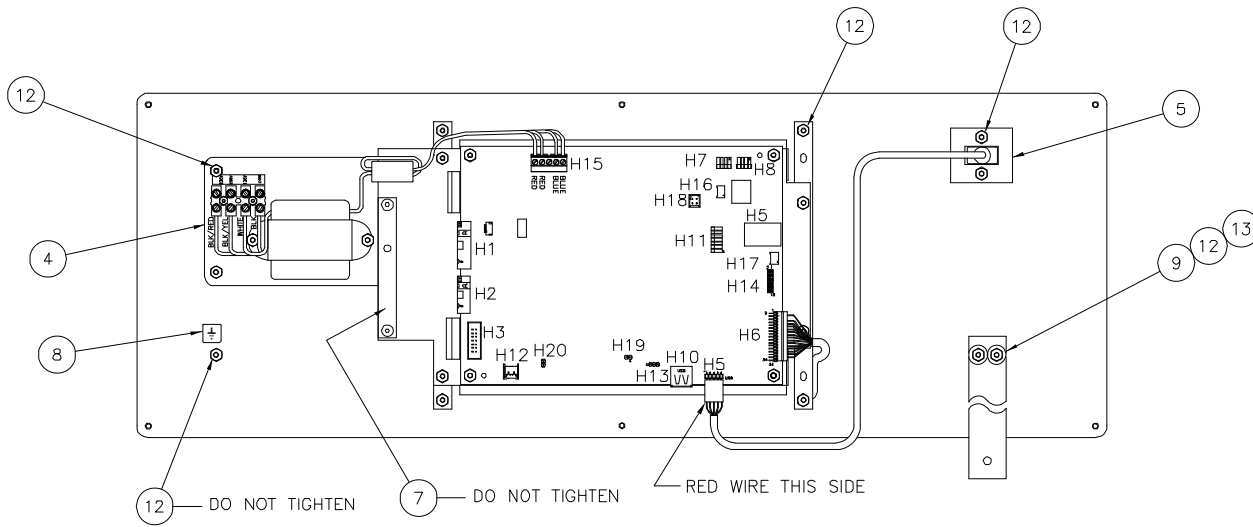
No.	Part Number	Description	Qty.
1	56870	PANEL - POWER	1
2	E-2742-5	TRANS - 120V PRIM, 16V & 24V SEC. (T2)	1
3	E-2742-18	TRANS - 120V PRIM, 9V/19V/55.5V SEC. (T3)	1
4	E-2805-6	STARTER - RELAYS, "PM" AND "IR"	2
5	E-2376-6	AUXILIARY CONTACT - STARTER, N.O.	5
6	E-1429-23	WIRE DUCT & COVER - 14" LONG	1
7	E-1429-19	WIRE DUCT & COVER - 23-1/2" LONG	1
8	E-1977-27	RAIL - TERMINAL - 14" LONG	1
9	E-1977-12	RAIL - TERMINAL - 4-3/4" LONG	1
10	E-1977-23	RAIL - TERMINAL - 5" LONG	1
11	E-2068-7	TERMINAL BLOCK - 3 AWG.	5
12	E-2068-3	TERMINAL BLOCK - GROUNDING	1
13	E-2068-9	TERMINAL BLOCK - #10 AWG., UK 5 RETURN	33
14	E-3264	CIRCUIT BREAKER - 1/2A, (CB9)	1
15	E-3264-9	CIRCUIT BREAKER - 8A, (CB8)	1
16	E-3264-3	CIRCUIT BREAKER - 2A, (CB4 & CB6)	2
17	E-3264-2	CIRCUIT BREAKER - 1.6A, (CB3)	1
18	E-2069-5	END PLATE	2
19	E-2070-1	END BRACKET	5
20	E-2864-1	SEPERATOR PLATE - TERMINAL BLOCK	3
21	E-1143	BRIDGE RECTIFIER - PANEL MOUNT	2
22	E-2507-2	FIXED BRIDGE - 2 POLE	3
23	E-2507-3	FIXED BRIDGE - 3 POLE	1
24	E-2507-6	FIXED BRIDGE - 6 POLE	1
25	E-2507-9	FIXED BRIDGE - 9 POLE	1
26	E-3145	ANGLE BRACKET - TERMINAL RAIL	4
27	E-1356-(-)	MARKING STRIP - TERMINAL BLOCK	4
28	E-2064-2	RELAY - SOLID STATE	1
29	E-2232-4	RELAY - SHUTDOWN (SD) 24VDC COIL	1
30	EE-3447-1	P.C.B. ASSEMBLY - I/O	1
31	47157-7	P.C.B. COVER - CLEAR	1
32	E-1152-56	STAND-OFF - 1/2" LONG	10
33	E-1152-43	STAND-OFF - 2" LONG	2
34	E-2730-3	FILTER - EMI/EMI, PANEL MOUNT (3EQ1)	2
35	E-1431-1	CAPACITOR - 39000 uF ELECTROLYTIC (C1)	1
36	E-1431-3	CAPACITOR - 24000 uF ELEC. (C2) w/bracket	1
37	E-2709	BRACKET - CAPACITOR	1
38	S-1350-16	CABLE CLAMP - PLASTIC	22
39	E-894	CABLE CLAMP - METAL	4
40	E-2066-10	PLUG CONNECTOR - P.C.B. 10 PIN	10
41	E-2066-8	PLUG CONNECTOR - P.C.B. 8 PIN	3
42	E-2066-12	PLUG CONNECTOR - P.C.B. 12 PIN	1
43	P-294	PRESSURE SWITCH - N.O. CLOSERS @ 20 PSI	1
44	P-295	ADAPTOR - PRESSURE SWITCH BULKHEAD	1
45	EE-3520	P.C.B. ASSEMBLY - DOOR INDICATOR	1
46	EE-3289	RESISTOR ASSEMBLY - IR RELAY COIL	1
47	EE-3289-1	RESISTOR ASSEMBLY - CAPACITOR "C2"	1
48	E-2756-3	FILTER - FERRITE CORE, MED.	2
49	E-2441-20	OVERLOAD RELAY - 7.5A TO 10A	REF
49	E-2441-18	OVERLOAD RELAY - 13A TO 16A	REF
50	E-1736-5	QUENCHARC - PANEL MOUNT, QA1	1
51	E-3264-6	CIRCUIT BREAKER - 5A, (CB1 & CB2)	2
52	E-2752-2	COVER - TERMINAL BLOCK	3
68	EE-3460	CABLE ASM. - CONTROL CONSOLE "CAN"	1
88	S-1781-197	LABEL - GRND SYMBOL, PRIMARY	1
94	H-6910-44004	SCREW, #4-40NC X 1/2" BUT HD CAP	4
104	H-6910-63203	SCREW, #6-32NC X 3/8" BUT HD CAP	14
105	H-6423-#6	NUT, #6-32NC HEX (KEP STYLE)	12
106	H-6910-83203	SCREW, #8-32NC X 3/8" BUT HD CAP	23
107	H-7324-#8	WASHER, #8 INT. TOOTHLOCK	23
108	H-6910-102403	SCREW, #10-24NC X 3/8" BUT HD CAP	6
109	H-7324-#10	WASHER, #10 INT. TOOTHLOCK	8
110	H-6910-403	SCREW, #1/4-20NC X 3/8" BUT HD CAP	17
111	H-7324-8	WASHER, 1/4 INT. TOOTHLOCK	17
112	S-1694	TY-WRAP - CABLE, PLASTIC (NOT SHOWN)	10
114	E-1584-52	LABEL - TRANSFORMER, "T2"	1
115	E-1584-53	LABEL - TRANSFORMER, "T3"	1
116	E-1584-(-)	LABEL - ASM. NO./REV. LEVEL	1
117	S-1781-35	LABEL - CAUTION, ELEC. DANGER	4
118	S-1781-42	LABEL - GRND SYMBOL, SECONDARY	1
119	E-3182	BRACKET - MAG. POS. MOUNTING	1
120	E-3558-4	JUMPER BAR - CIRCUIT BREAKER, 4 POS	1
124	H-6910-44006	SCREW, #1/4-20NC X 3/8" BUT HD CAP	17
125	E-2756-6	FILTER - FERRITE CORE, LARGE	2
126	E-2756-9	FILTER - FERRITE CORE, SMALL	12
127	E-3264-4	CIRCUIT BREAKER - 3A, (CB5)	1
128	E-3264-7	CIRCUIT BREAKER - 6A, (CB7)	1
129	E-2507-4	FIXED BRIDGE - 4 POLE	1

PL 5.18 Control Console EE-3456-6

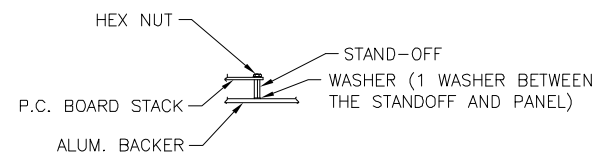
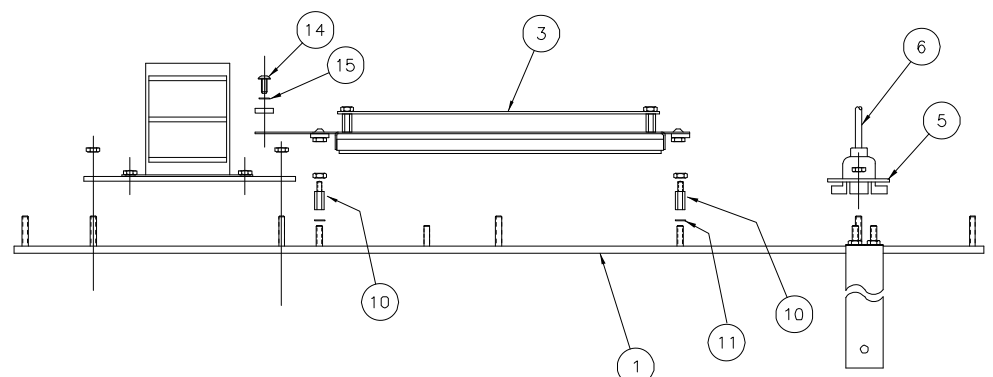
No.	Part No.	Description	Qty.
1	EE-3471	PANEL ASM. - FRONT CONTROL, TC	1
2	E-1584(-)	LABEL - ASM. NO./REV. LEVEL	1
3	47701-6	TC PANEL INSERT - CMT 130TC	1
5	E-1214-2	CONNECTOR - #6 INS. RING	1
6	E-1214-64	CONNECTOR - 1/4" NON-INS. RING	1
7	E-2743	WIRE - #18 GA. YEL/GREEN 27"	1
8	EE-2855-17	RIBBON CABLE ASM. - 20 POS.,	1
9	EE-2855-18	RIBBON CABLE ASM. - 14 POS.,	1
10	EE-3557	CABLE ASM. - BARCODE SCANNER	1



PL 5.19 Panel Assembly EE-3471

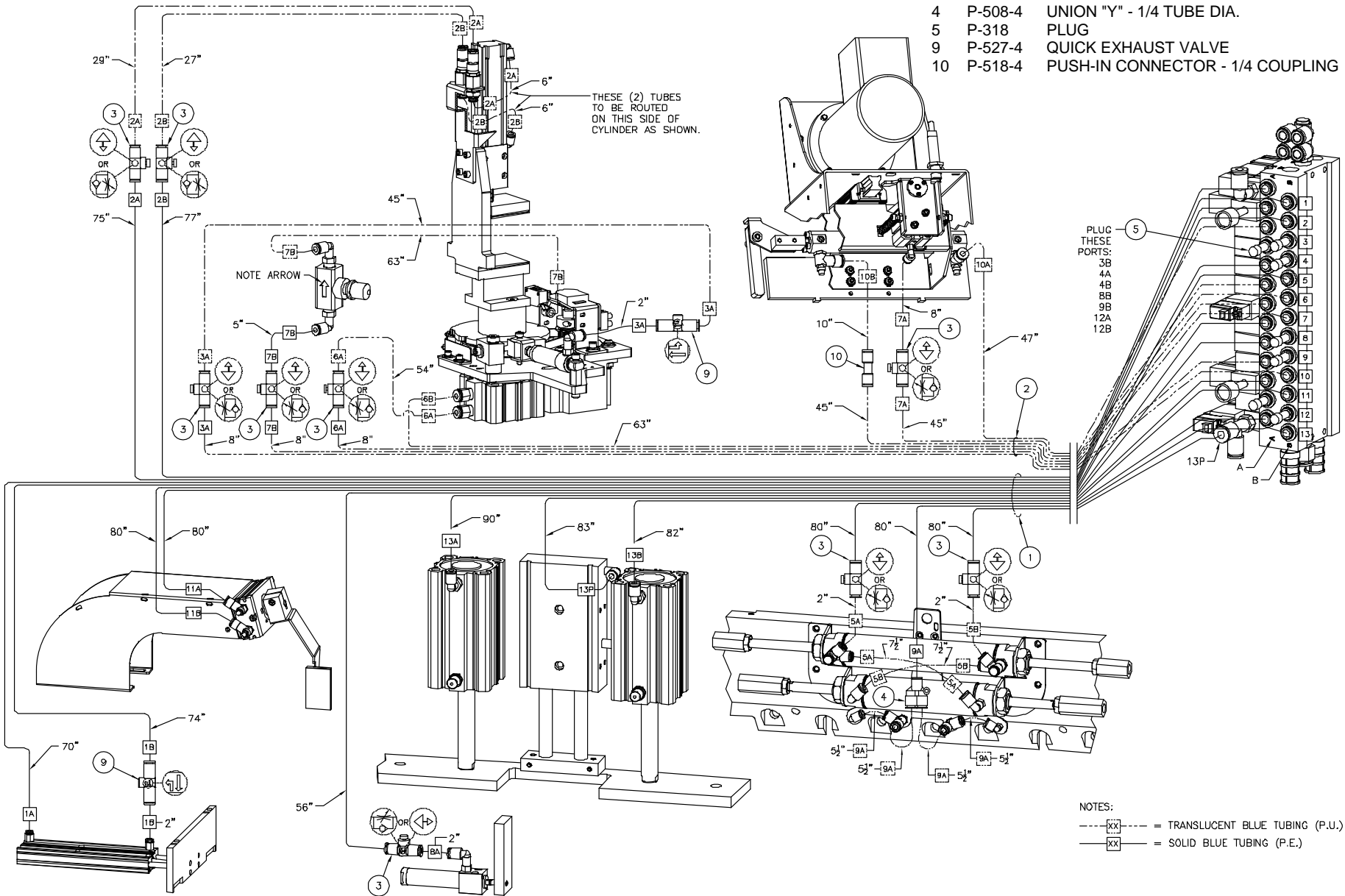


No.	Part No.	Description	Qty.
1	47700	CONSOLE - CONTROL, TC	1
2	EE-3480	FLASH DRIVE - PROGRAMMED	1
3	EE-3457	DISPLAY ASM - TOUCH CONTROL	1
4	EE-2920-2	TRANSFORMER ASM.	1
5	E-3215	BRACKET - USB PORT	1
6	E-3203-1	CABLE - BULKHEAD TO USB	1
7	43066	STRAIN RELIEF - RIBBON CABLE	1
8	S-1781-42	LABEL - GROUND SYMBOL	1
9	EE-3512	COPPER STRAP - GROUNDING	1
10	E-1152-56	SPACER - 1/2" LONG	4
11	H-7321-#6	WASHER - #6 SAE. FLAT	4
12	H-6423-#6	NUT - #6-32 HEX	13
13	H-7321-#10	WASHER - #10 SAE. FLAT	2
14	H-6910-83203	SCREW - #8-32 X 3/8 BUT HD CAP	2
15	H-7321-#8	WASHER - #8 SAE. FLAT	2



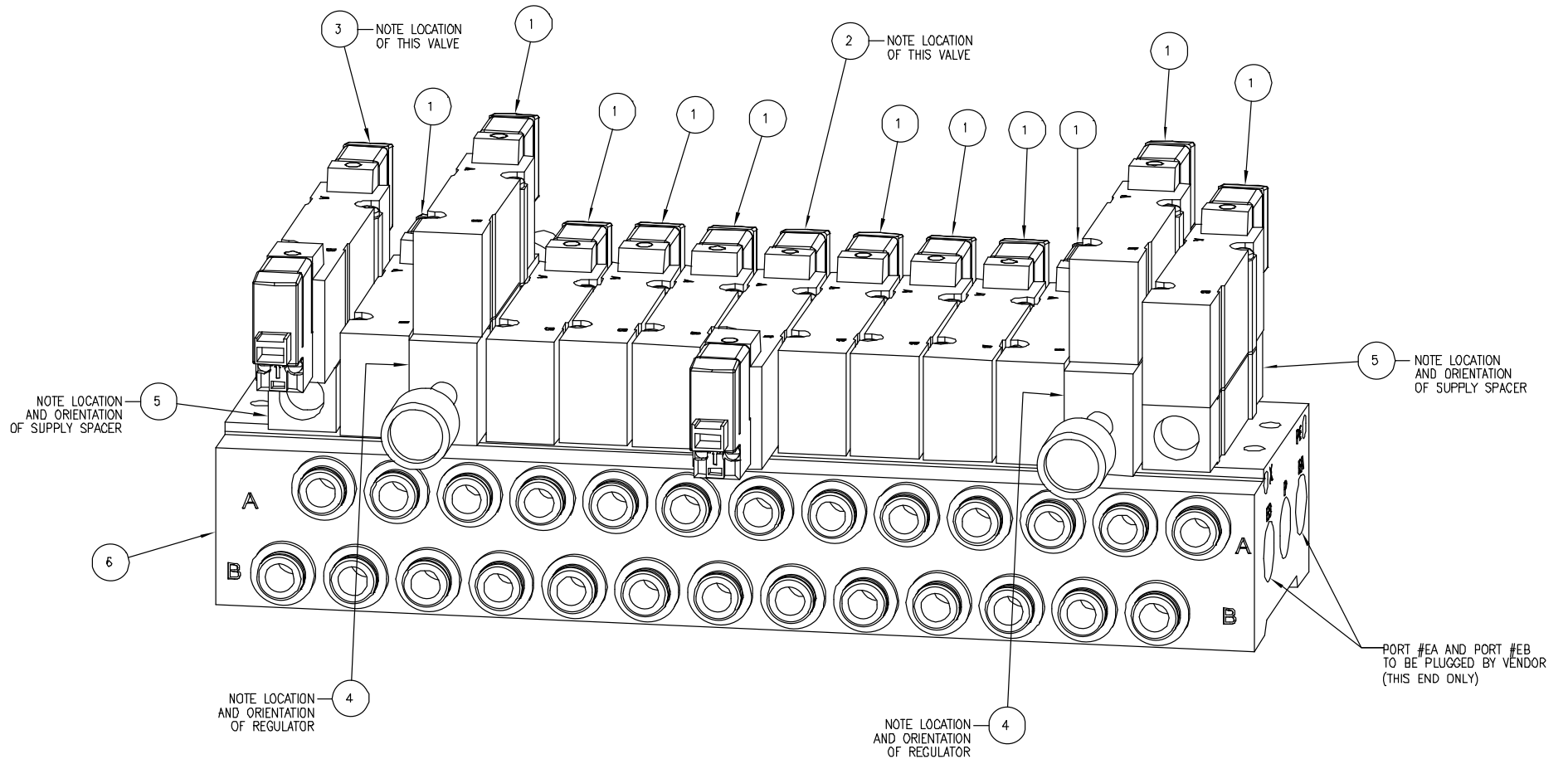
PL 5.21 Pneu. Diag. 59000TCA-P (2/2)

No.	Part No.	Description	Qty.
1	P-303	1/4" O.D. P.E. TUBING (SOLID BLUE)	-
2	P-303-1	1/4" O.D. P.U. TUBING (TRANS. BLUE)	-
3	P-510-4	AIR FLOW REGULATOR - 1/4" TUBE	9
4	P-508-4	UNION "Y" - 1/4 TUBE DIA.	1
5	P-318	PLUG	7
9	P-527-4	QUICK EXHAUST VALVE	2
10	P-518-4	PUSH-IN CONNECTOR - 1/4 COUPLING	1

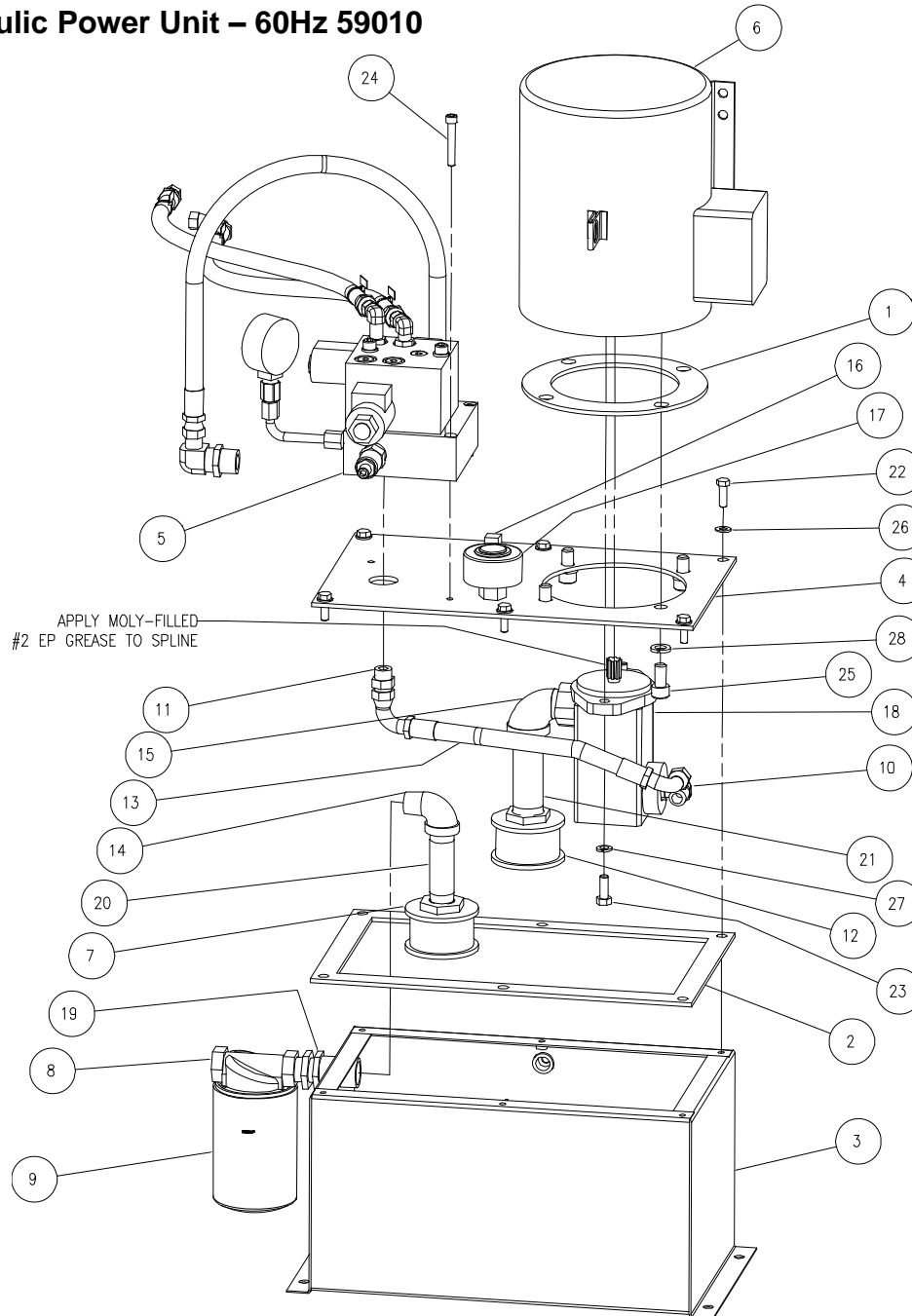


PL 5.22 Pneu. Manifold Asm. 59012-1

No.	Part Number	Description	Qty.
1	56009	VALVE - 2 POSITION	11
2	56011	VALVE - 3 POS., EXH. CENTER	1
3	56011-2	VALVE - 3 POS., PRESS. CENTER	1
4	56012	REGULATOR - MANIFOLD	2
5	56013	INDIVIDUAL SUPPLY SPACER	2
6	59012-1-M	MANIFOLD - 13 STATION	1

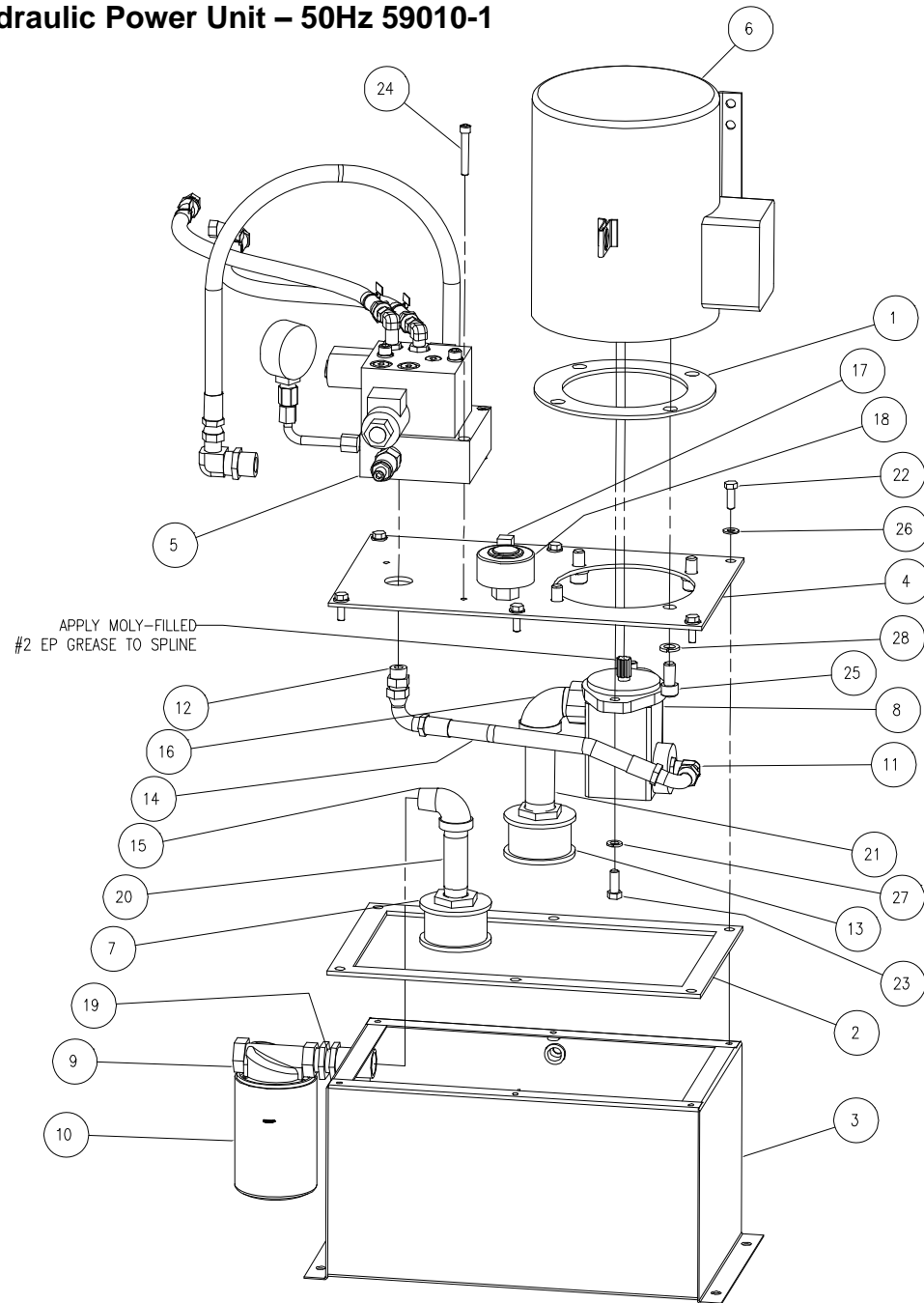


PL 5.23 Hydraulic Power Unit – 60Hz 59010



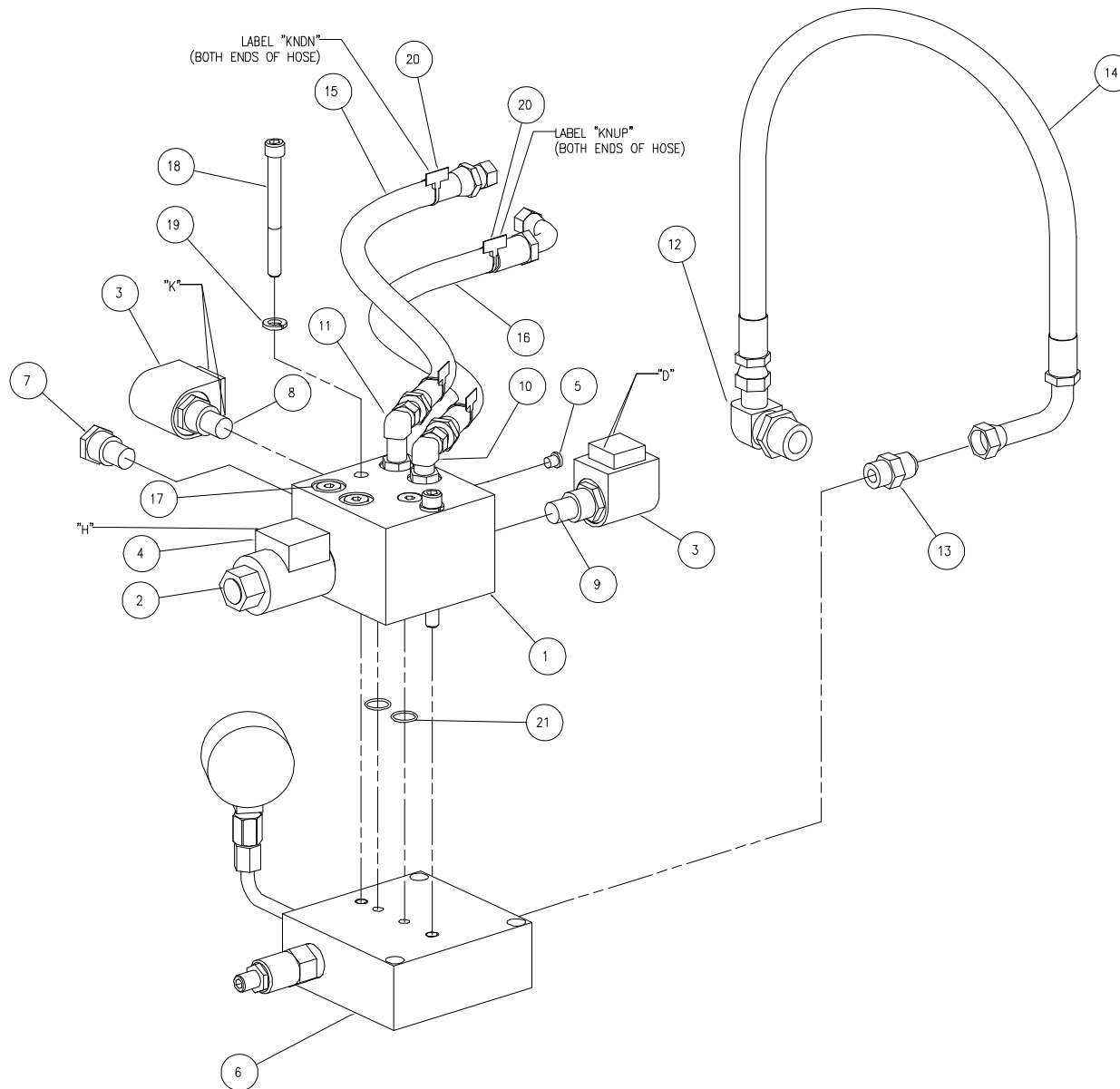
No.	Part Number	Description	Qty.
1	13946	GASKET	1
2	13947	TANK GASKET	1
3	44104	HYDRAULIC TANK	1
4	44105	TANK COVER	1
5	59011	MANIFOLD ASSEMBLY	1
6	E-1600-181	MOTOR	1
7	H-338	DIFFUSER	1
8	H-226-2	FILTER HEAD- 'O' RING PORTS	1
9	H-227-1	FILTER	1
10	H-230-4	ELBOW- ORING TO TUBE	1
11	H-236-4	ADAPTER - 'O' RING TO TUBE	1
12	H-238-4	STRAINER	1
13	H-242-60	HYD. HOSE	1
14	H-248-1	ELBOW - 90° STREET	1
15	H-248-2	ELBOW - 90° STREET	1
16	H-270-8	PLUG- NPT	1
17	H-287-2	BREATHER CAP	1
18	H-387-3	PUMP	1
19	H-434-1	CONNECTOR - ORING TO ORING	1
20	H-6405-1232	NIPPLE - 3/4" X 4"	1
21	H-6405-1640	NIPPLE - 1" X 5"	1
22	H-6913-508	SCREW - 5/16-18 X 1 HEX HD	6
23	H-6913-608	SCREW - 3/8-16 X 1 HEX HD	2
24	H-6918-516	SCREW - 5/16-18 X 2 SOC HD	3
25	H-6918-808	SCREW - 1/2-13 X 1 SOC HD	4
26	H-7321-5	WASHER - 5/16 SAE PLAIN	6
27	H-7327-12	WASHER - 3/8 MEDIUM LOCK	2
28	H-7327-16	WASHER - 1/2 MEDIUM LOCK	4

PL 5.24 Hydraulic Power Unit – 50Hz 59010-1



No.	Part Number	Description	Qty.
1	13946	GASKET	1
2	13947	TANK GASKET	1
3	44104	HYDRAULIC TANK	1
4	44105	TANK COVER	1
5	59011	MANIFOLD ASSEMBLY	1
6	E-1600-183	MOTOR	1
7	H-338	DIFFUSER	1
8	H-387	PUMP	1
9	H-226-2	FILTER HEAD- 'O' RING PORTS	1
10	H-227-1	FILTER	1
11	H-230-4	ELBOW- ORING TO TUBE	1
12	H-236-4	ADAPTER - 'O' RING TO TUBE	1
13	H-238-4	STRAINER	1
14	H-242-60	HYD. HOSE	1
15	H-248-1	ELBOW - 90° STREET	1
16	H-248-2	ELBOW - 90° STREET	1
17	H-270-8	PLUG- NPT	1
18	H-287-2	BREATHER CAP	1
19	H-434-1	CONNECTOR - ORING TO ORING	1
20	H-6405-1232	NIPPLE - 3/4" X 4"	1
21	H-6405-1640	NIPPLE - 1" X 5"	1
22	H-6913-508	SCREW - 5/16-18 X 1 HEX HD	6
23	H-6913-608	SCREW - 3/8-16 X 1 HEX HD	2
24	H-6918-516	SCREW - 5/16-18 X 2 SOC HD	3
25	H-6918-808	SCREW - 1/2-13 X 1 SOC HD	4
26	H-7321-5	WASHER - 5/16 SAE PLAIN	6
27	H-7327-12	WASHER - 3/8 MEDIUM LOCK	2
28	H-7327-16	WASHER - 1/2 MEDIUM LOCK	4

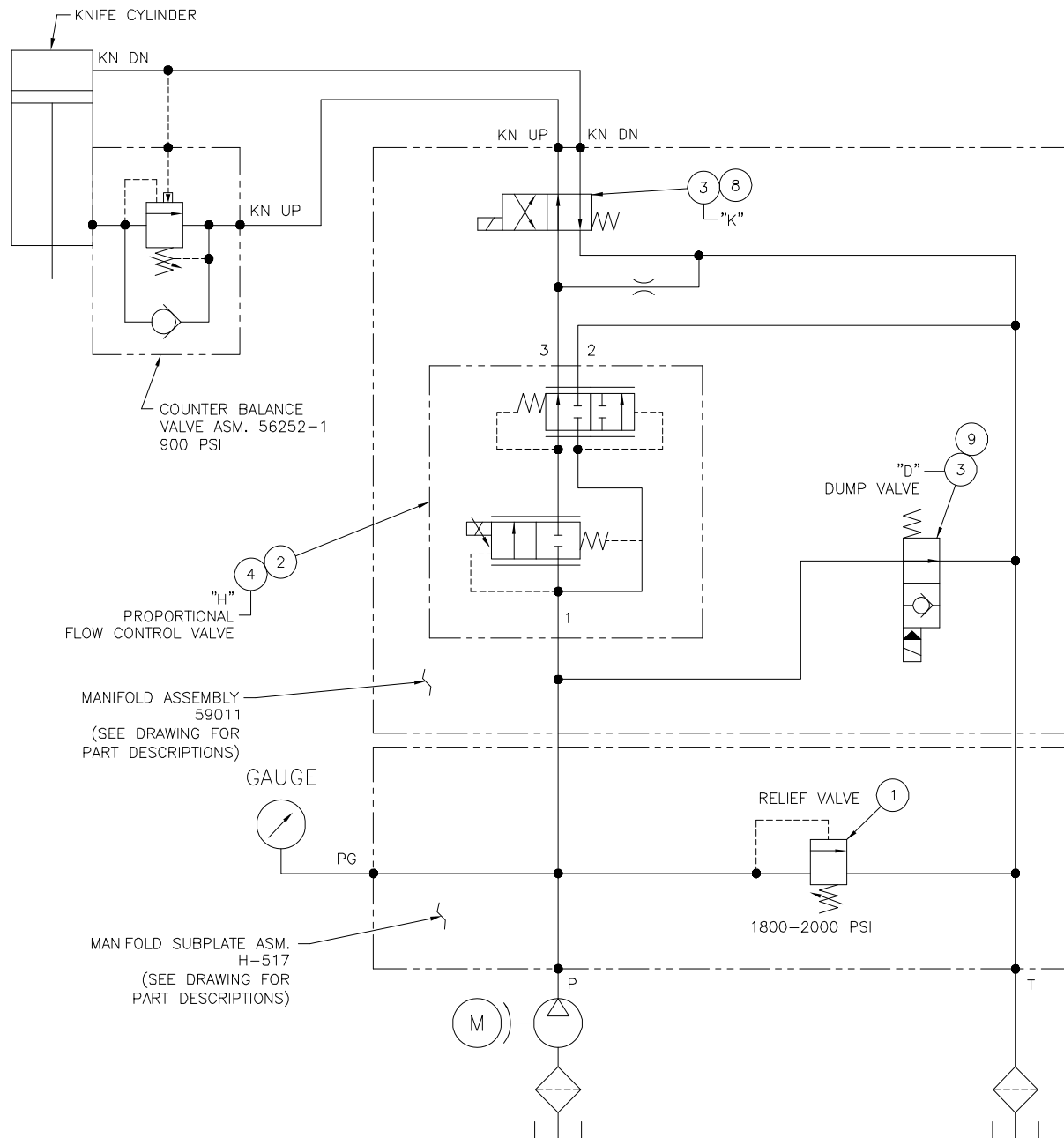
PL 5.25 Manifold Assembly 59011



No.	Part Number	Description	Qty.
1	56701	HYDRAULIC MANIFOLD	1
2	56703	SOLENOID VALVE - FLOW CTRL	1
3	E-1069-19	24V DC COIL	2
4	E-1069-23	COIL	1
5	H-427	SAE PLUG	3
6	H-517	MANIFOLD SUBPLATE ASM	1
7	H-568	CAVITY PLUG	1
8	H-200-2	SOLENOID VALVE - DIRECTION	1
9	H-200-3	SOLENOID VALVE - DUMP	1
10	H-230-3	ELBOW- ORING TO TUBE	1
11	H-230-11	ELBOW- ORING TO TUBE	1
12	H-230-12	ELBOW- ORING TO TUBE	1
13	H-236-4	ADAPTER - 'O' RING TO TUBE	1
14	H-242-61	HYD. HOSE	1
15	H-242-81	HYDRAULIC HOSE	1
16	H-242-82	HYDRAULIC HOSE	1
17	H-427-5	SAE PLUG	5
18	H-6918-630	SCREW - 3/8-16 X 3-3/4 SOC HD	2
19	H-7327-12	WASHER - 3/8 MEDIUM LOCK	2
20	S-1694-5	TYRAP - IDENTIFICATION	4
21	S-1810-10	O-RING	2

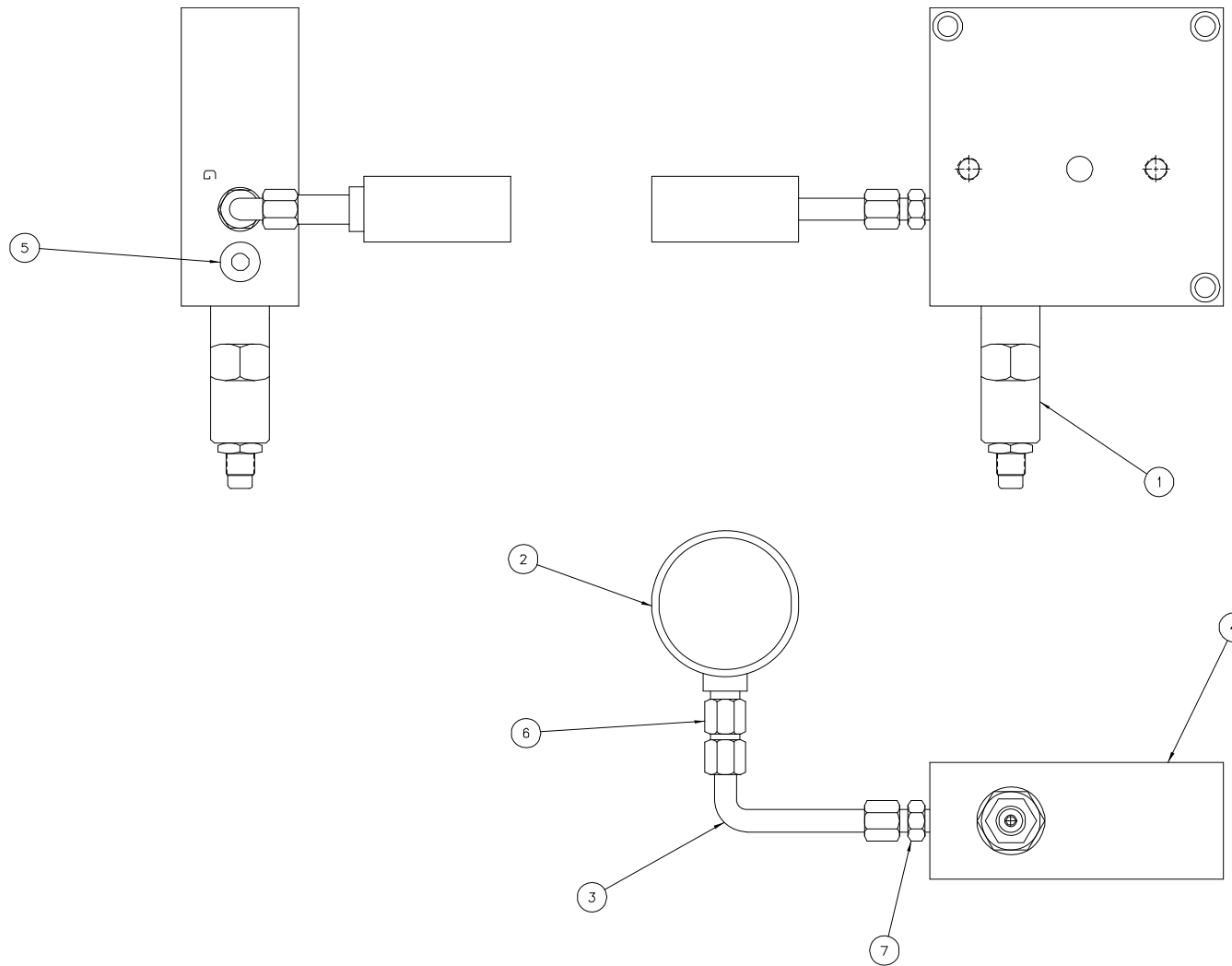
PL 5.26 Hydraulic Schem. 59010-S

No.	Part Number	Description	Qty.
1	H-203-26	SYSTEM RELIEF VALVE	1
2	56703	SOLENOID VALVE - FLOW CTRL	1
3	E-1069-19	24V DC COIL	2
4	E-1069-23	COIL	1
8	H-200-2	SOLENOID VALVE - DIRECTION	1
9	H-200-3	SOLENOID VALVE - DUMP	1



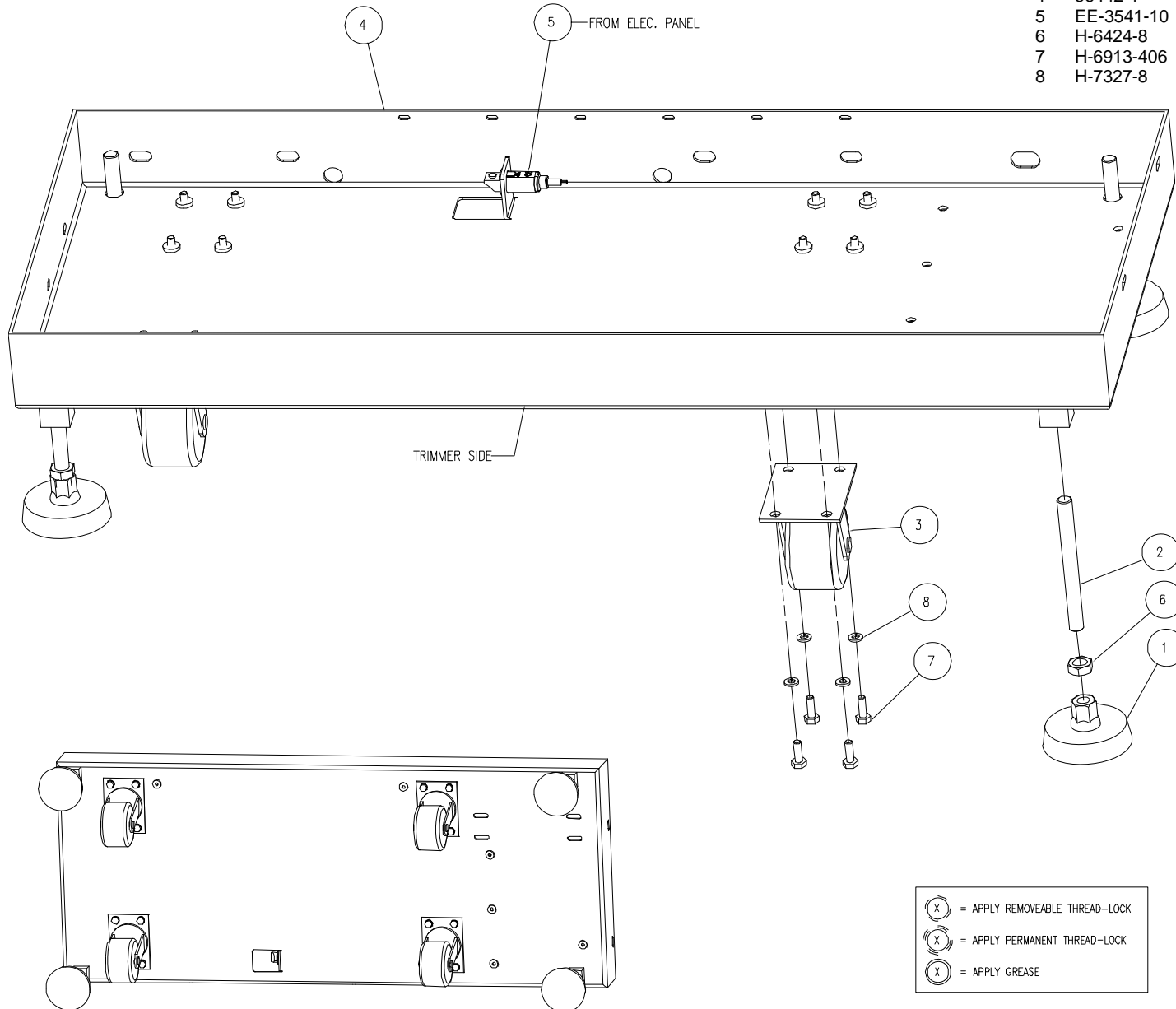
PL 5.27 Manifold Sub-Plate H-517

No.	Part Number	Description	Qty.
1	H-203-26	SYSTEM RELIEF VALVE	1
2	8P-629-3	GAGE - 0-3000 PSI	1
3	H-518	TUBE ASM. - PRESSURE GAGE	1
4	DTS-0345-4	MANIFOLD SUBPLATE	1
5	H-427-5	PLUG - #6 "O" RING (9/16-18)	1
6	H-233-1	FITTING - NPT TO "O" RING	1
7	H-236-3	FTNG - #6 "O" RING TO #6 TUBE	1

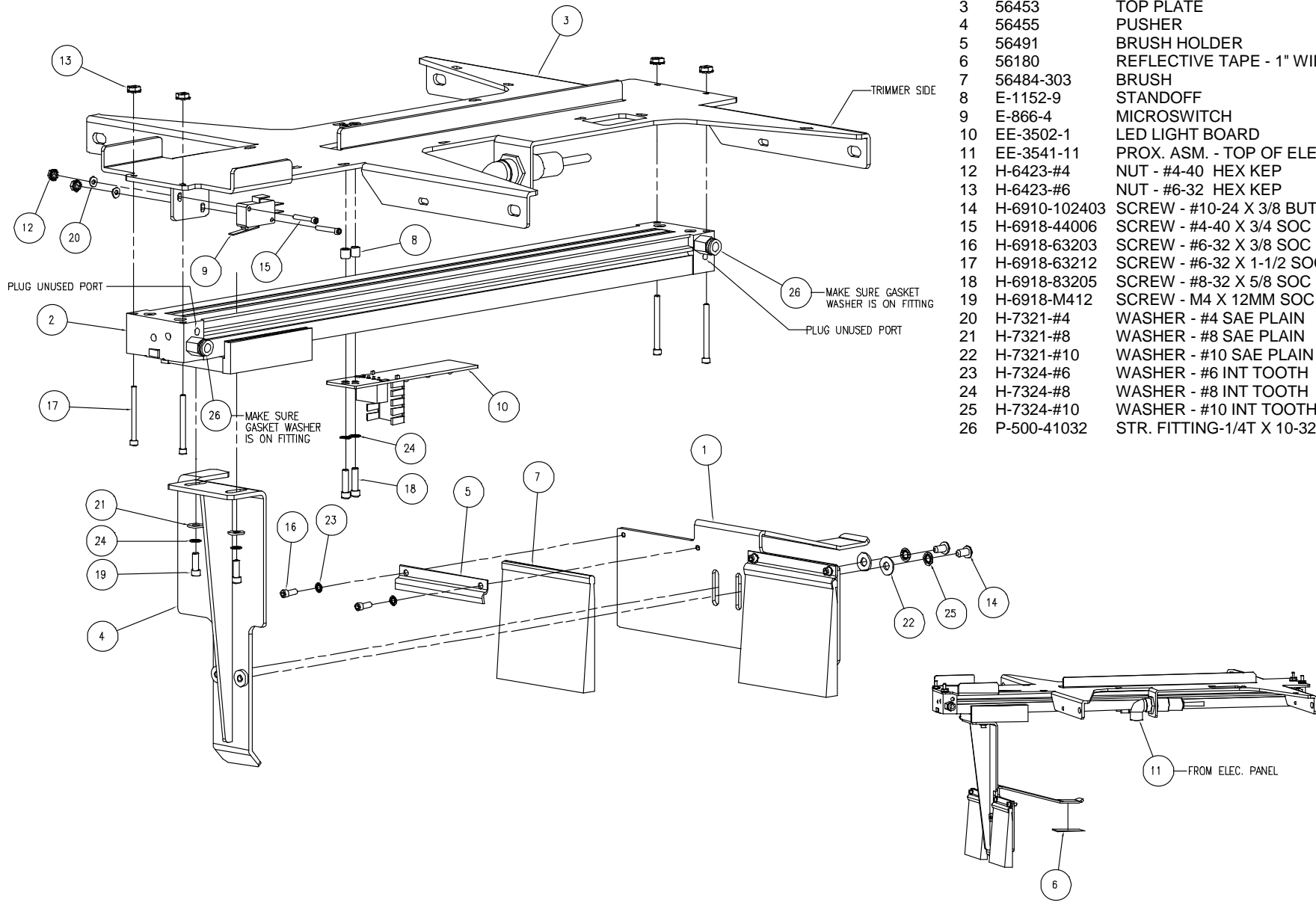


PL 5.28 Elevator 56421TCA (1/7)

No.	Part Number	Description	Qty.
1	51036	FOOT	4
2	56456	THREADED ROD	4
3	56805	CASTER	4
4	56442-1	BASE	1
5	EE-3541-10	SWITCH - RETROREFLECTIVE	1
6	H-6424-8	NUT - 1/2-13 HEX JAM	4
7	H-6913-406	SCREW - 1/4-20 X 3/4 HEX HD	16
8	H-7327-8	WASHER - 1/4 MEDIUM LOCK	16

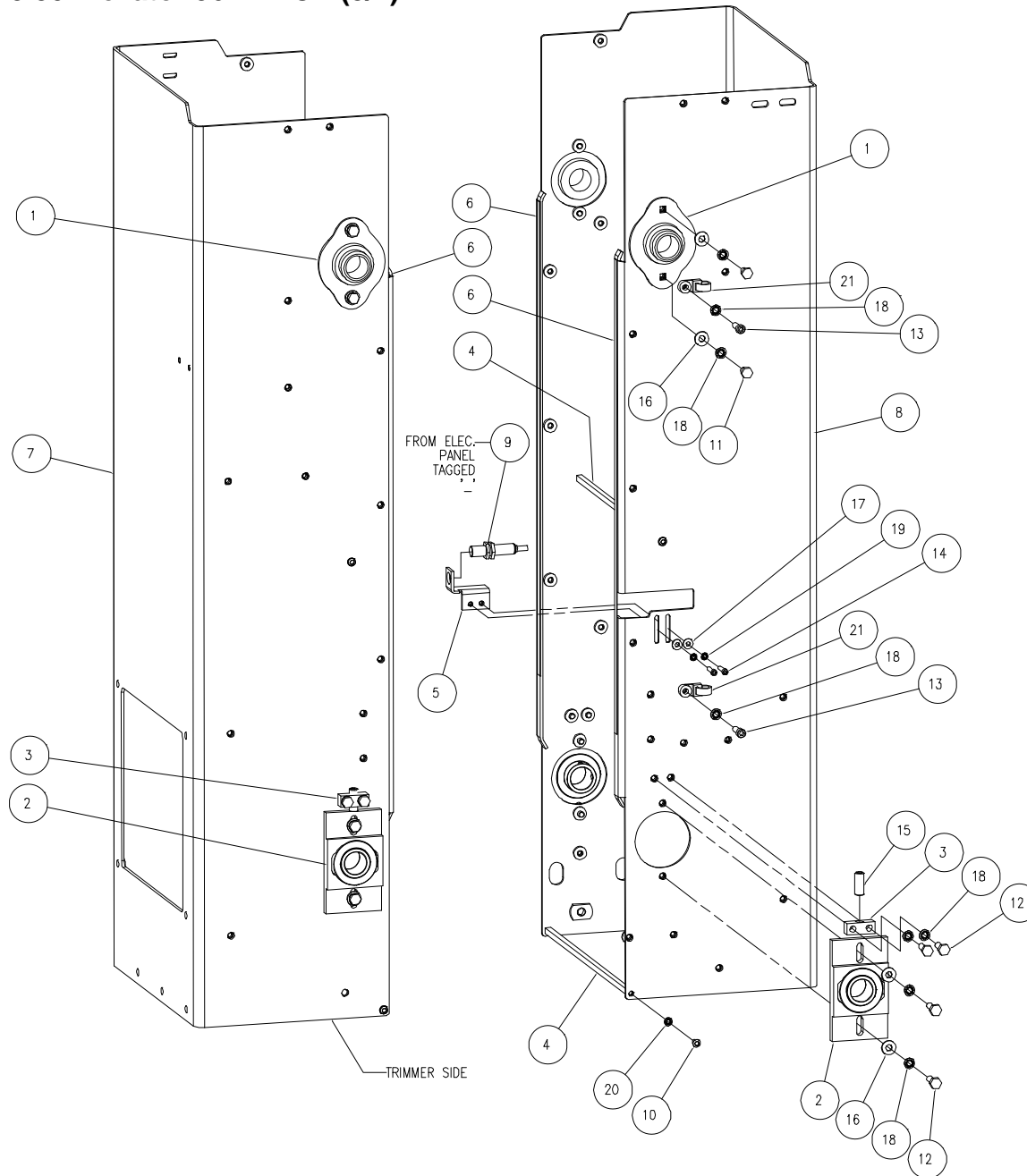


PL 5.29 Elevator 56421TCA (2/7)



No.	Part Number	Description	Qty.
1	56417	PUSHER PLATE	1
2	56451	RODLESS BAND CYLINDER	1
3	56453	TOP PLATE	1
4	56455	PUSHER	1
5	56491	BRUSH HOLDER	2
6	56180	REFLECTIVE TAPE - 1" WIDE	1-1/2"
7	56484-303	BRUSH	2
8	E-1152-9	STANDOFF	2
9	E-866-4	MICROSWITCH	1
10	EE-3502-1	LED LIGHT BOARD	1
11	EE-3541-11	PROX. ASM. - TOP OF ELEV.	REF
12	H-6423-#4	NUT - #4-40 HEX KEP	2
13	H-6423-#6	NUT - #6-32 HEX KEP	4
14	H-6910-102403	SCREW - #10-24 X 3/8 BUT HD	2
15	H-6918-44006	SCREW - #4-40 X 3/4 SOC HD	2
16	H-6918-63203	SCREW - #6-32 X 3/8 SOC HD	4
17	H-6918-63212	SCREW - #6-32 X 1-1/2 SOC HD	4
18	H-6918-83205	SCREW - #8-32 X 5/8 SOC HD	2
19	H-6918-M412	SCREW - M4 X 12MM SOC HD	2
20	H-7321-#4	WASHER - #4 SAE PLAIN	2
21	H-7321-#8	WASHER - #8 SAE PLAIN	2
22	H-7321-#10	WASHER - #10 SAE PLAIN	2
23	H-7324-#6	WASHER - #6 INT TOOTH	4
24	H-7324-#8	WASHER - #8 INT TOOTH	4
25	H-7324-#10	WASHER - #10 INT TOOTH	2
26	P-500-41032	STR. FITTING-1/4T X 10-32 UNF	2

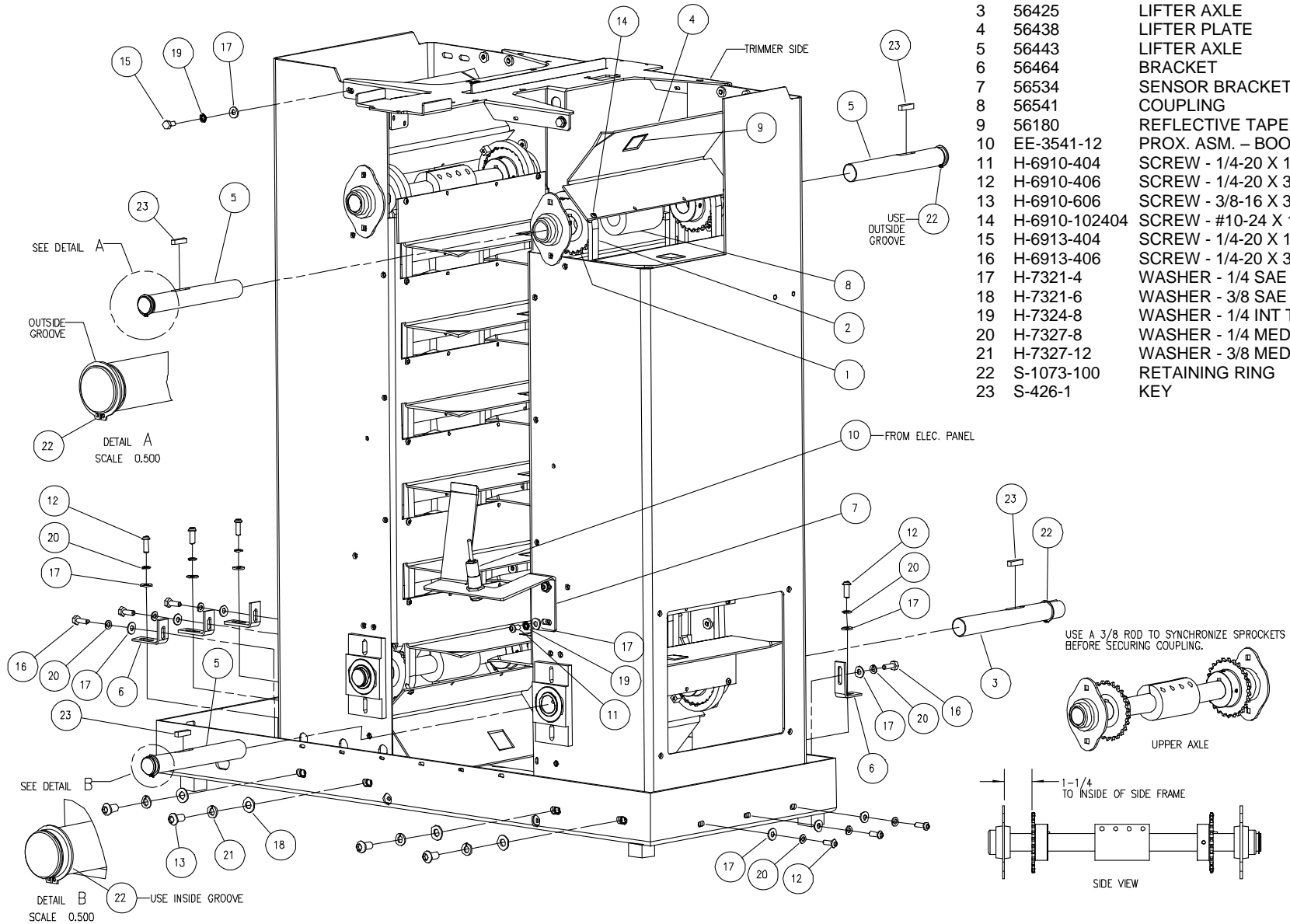
PL 5.30 Elevator 56421TCA (3/7)



No.	Part Number	Description	Qty.
1	56439	FLANGE BEARING	4
2	56458	BEARING BLOCK ASSEMBLY	4
3	56474	TENSIONING BLOCK	4
4	56488	TIE BAR	4
5	56551	LIFT PLATE PROX. BRACKET	1
6	47264-2101	P.E. TAPE - .010 X 3/8 X 21-1/8	4
7	56435-1	SIDE FRAME - RH	1
8	56435-2	SIDE FRAME - LH	1
9	EE-3533-5	PROX. ASM.- LIFT PLATE	REF
10	H-6910-102403	SCREW - #10-24 X 3/8 BUT HD	8
11	H-6913-404	SCREW - 1/4-20 X 1/2 HEX HD	8
12	H-6913-407	SCREW - 1/4-20 X 7/8 HEX HD	16
13	H-6918-406	SCREW - 1/4-20 X 3/4 SOC HD	2
14	H-6918-83206	SCREW - #8-32 X 3/4 SOC HD	2
15	H-6940-616	SCREW - 3/8-16 X 1 FLAT SET	4
16	H-7321-4	WASHER - 1/4 SAE PLAIN	16
17	H-7321-#8	WASHER - #8 SAE PLAIN	2
18	H-7324-8	WASHER - 1/4 INT TOOTH	26
19	H-7324-#8	WASHER - #8 INT TOOTH	2
20	H-7324-#10	WASHER - #10 INT TOOTH	8
21	S-1694-3	CABLE TIE	2

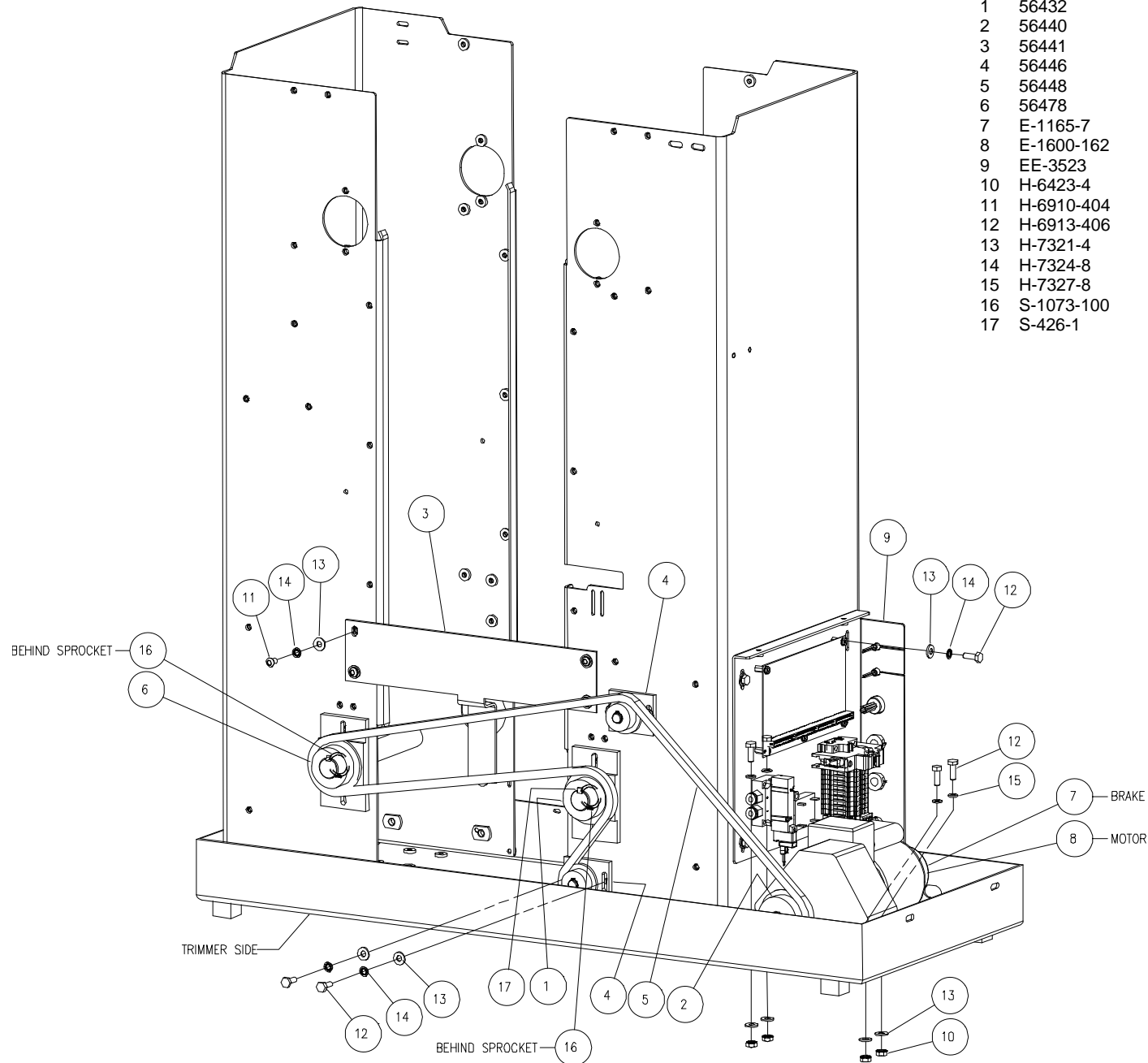
PL 5.31 Elevator 56421TCA (4/7)

No.	Part Number	Description	Qty.
1	56423	SPROCKET	8
2	56424	LIFTER CHAIN	4
3	56425	LIFTER AXLE	2
4	56438	LIFTER PLATE	28
5	56443	LIFTER AXLE	6
6	56464	BRACKET	5
7	56534	SENSOR BRACKET	1
8	56541	COUPLING	4
9	56180	REFLECTIVE TAPE - 1" WIDE	1"
10	EE-3541-12	PROX. ASM. - BOOK ENTER	REF
11	H-6910-404	SCREW - 1/4-20 X 1/2 BUT HD	2
12	H-6910-406	SCREW - 1/4-20 X 3/4 BUT HD	8
13	H-6910-606	SCREW - 3/8-16 X 3/4 BUT HD	4
14	H-6910-102404	SCREW - #10-24 X 1/2 BUT HD	80
15	H-6913-404	SCREW - 1/4-20 X 1/2 HEX HD	4
16	H-6913-406	SCREW - 1/4-20 X 3/4 HEX HD	5
17	H-7321-4	WASHER - 1/4 SAE PLAIN	19
18	H-7321-6	WASHER - 3/8 SAE PLAIN	4
19	H-7324-8	WASHER - 1/4 INT TOOTH	6
20	H-7327-8	WASHER - 1/4 MEDIUM LOCK	13
21	H-7327-12	WASHER - 3/8 MEDIUM LOCK	4
22	S-1073-100	RETAINING RING	8
23	S-426-1	KEY	9

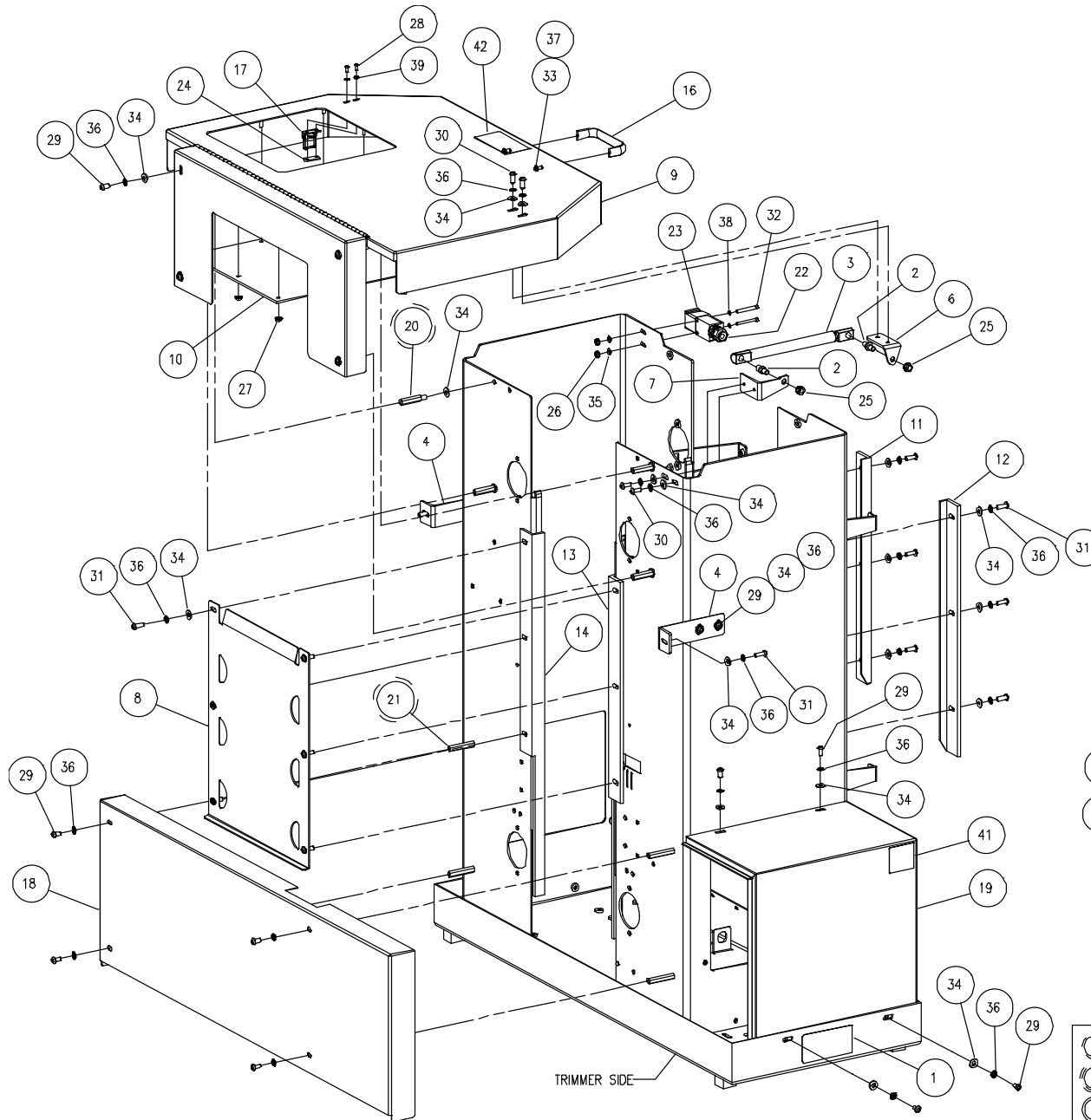


PL 5.32 Elevator 56421TCA (5/7)

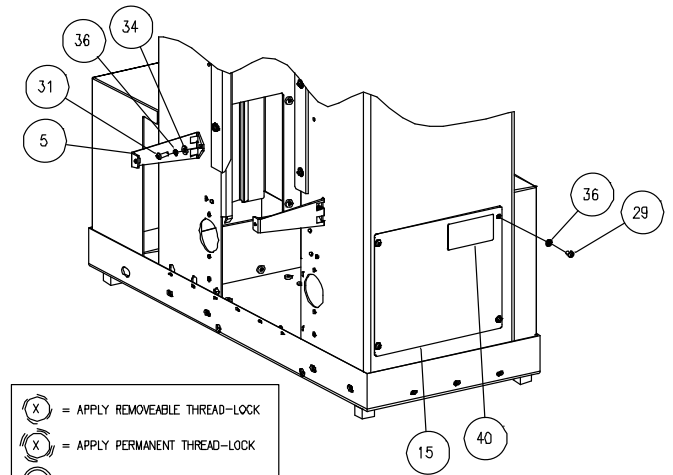
No.	Part Number	Description	Qty.
1	56432	SPROCKET	1
2	56440	SPROCKET	1
3	56441	LOWER BRACE	1
4	56446	IDLER ASM	2
5	56448	DRIVE CHAIN	1
6	56478	TAPER LOCK SPROCKET	1
7	E-1165-7	BRAKE	1
8	E-1600-162	GEAR MOTOR	1
9	EE-3523	ELECTRICAL PANEL ASSEMBLY	1
10	H-6423-4	NUT - 1/4-20 HEX KEP	4
11	H-6910-404	SCREW - 1/4-20 X 1/2 BUT HD	4
12	H-6913-406	SCREW - 1/4-20 X 3/4 HEX HD	12
13	H-7321-4	WASHER - 1/4 SAE PLAIN	16
14	H-7324-8	WASHER - 1/4 INT TOOTH	12
15	H-7327-8	WASHER - 1/4 MEDIUM LOCK	4
16	S-1073-100	RETAINING RING	2
17	S-426-1	KEY	1



PL 5.33 Elevator 56421TCA (6/7)

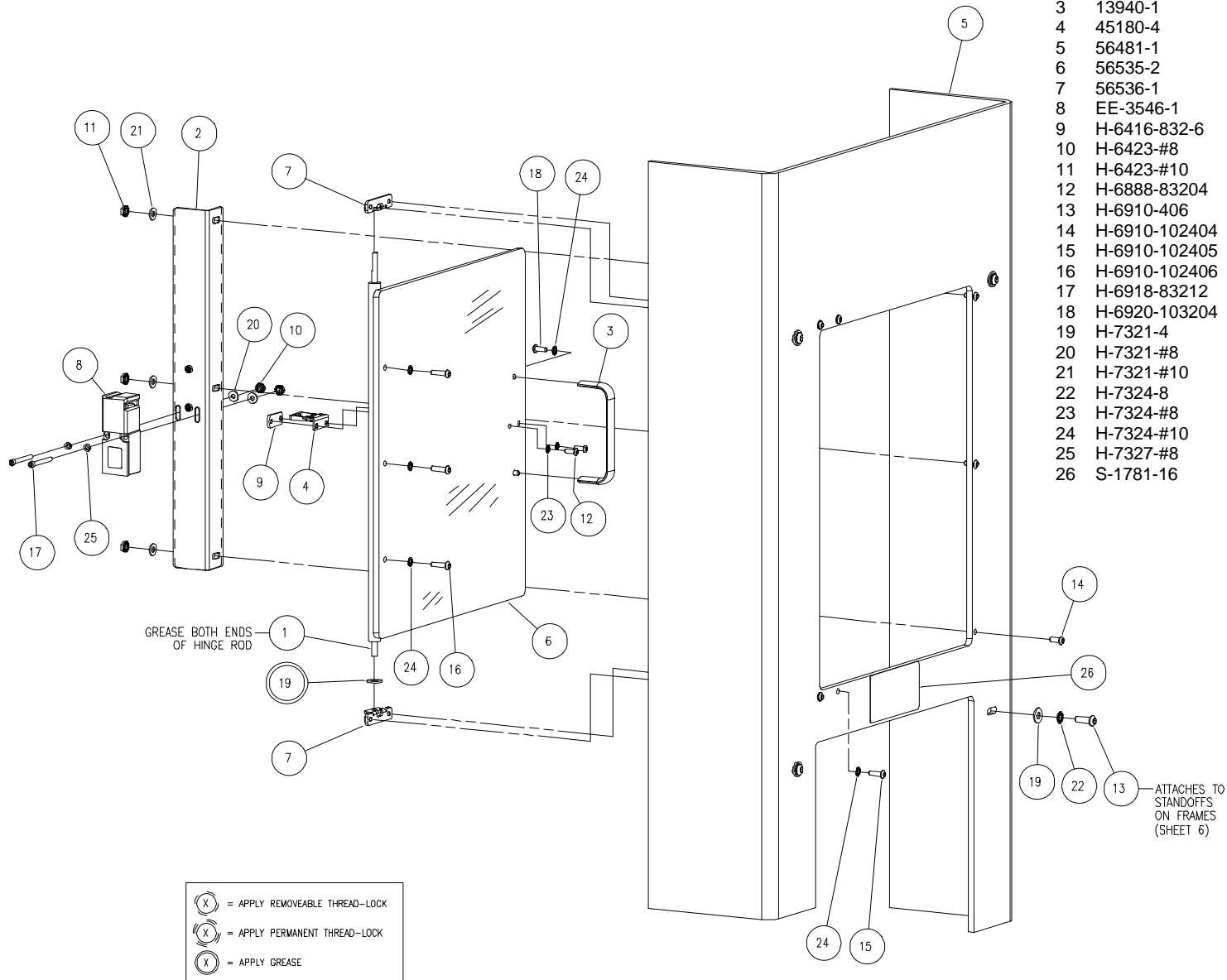


No.	Part Number	Description	Qty.
1	14050	SERIAL PLATE	1
2	41055	STUD- 10 mm BALL	2
3	43001	CYLINDER- GAS	1
4	56080	ACC. MOUNTING BRACKET	2
5	56422	ELEV. COVER MOUNTING BRKT	4
6	56485	GAS CYLINDER BRACKET	1
7	56487	GAS CYLINDER BRACKET	1
8	56496	INSIDE COVER	1
9	56497	TOP COVER	1
10	56498	WINDOW	1
11	56545	R.H. FRONT RETAINER	1
12	56546	L.H. FRONT RETAINER	1
13	56547	R.H. REAR RETAINER	1
14	56548	L.H. REAR RETAINER	1
15	56560	COVER	1
16	13940-1	HANDLE	1
17	45180-4	ACTUATOR KEY - INTERLOCK	1
18	56459-1	REAR COVER	1
19	56460-1	SIDE COVER	1
20	E-1152-74	STANDOFF	4
21	E-1152-124	STANDOFF	4
22	E-1886-2	CONNECTOR - CORD GRIP	REF
23	EE-3546	INTERLOCK SWITCH ASM	REF
24	H-6416-832-6	WELDNUT - #8-32 TWIN PILOT	1
25	H-6423-5	NUT - 5/16-18 HEX KEP	2
26	H-6423-#8	NUT - #8-32 HEX KEP	2
27	H-6423-#10	NUT - #10-24 HEX KEP	8
28	H-6888-83203	SCREW - #8-32 X 3/8 BUT HD T.P.	2
29	H-6910-404	SCREW - 1/4-20 X 1/2 BUT HD	20
30	H-6910-405	SCREW - 1/4-20 X 5/8 BUT HD	4
31	H-6910-406	SCREW - 1/4-20 X 3/4 BUT HD	18
32	H-6918-83212	SCREW - #8-32 X 1-1/2 SOC HD	2
33	H-6920-103204	SCREW - #10-32 X 1/2 BUT HD	2
34	H-7321-4	WASHER - 1/4 SAE PLAIN	38
35	H-7321-#8	WASHER - #8 SAE PLAIN	2
36	H-7324-8	WASHER - 1/4 INT TOOTH	42
37	H-7324-#10	WASHER - #10 INT TOOTH	2
38	H-7327-#8	WASHER - #8 MEDIUM LOCK	2
39	H-7330-#8	WASHER - #8 EXT TOOTH	2
40	S-1781-16	LABEL - CRUSH HAZARD	1
41	S-1781-35	LABEL - ELEC. DANGER (EURO)	1
42	S-1781-41	LABEL - PINCH HAZARD	1



- (X) = APPLY REMOVABLE THREAD-LOCK
- (X) = APPLY PERMANENT THREAD-LOCK
- (X) = APPLY GREASE

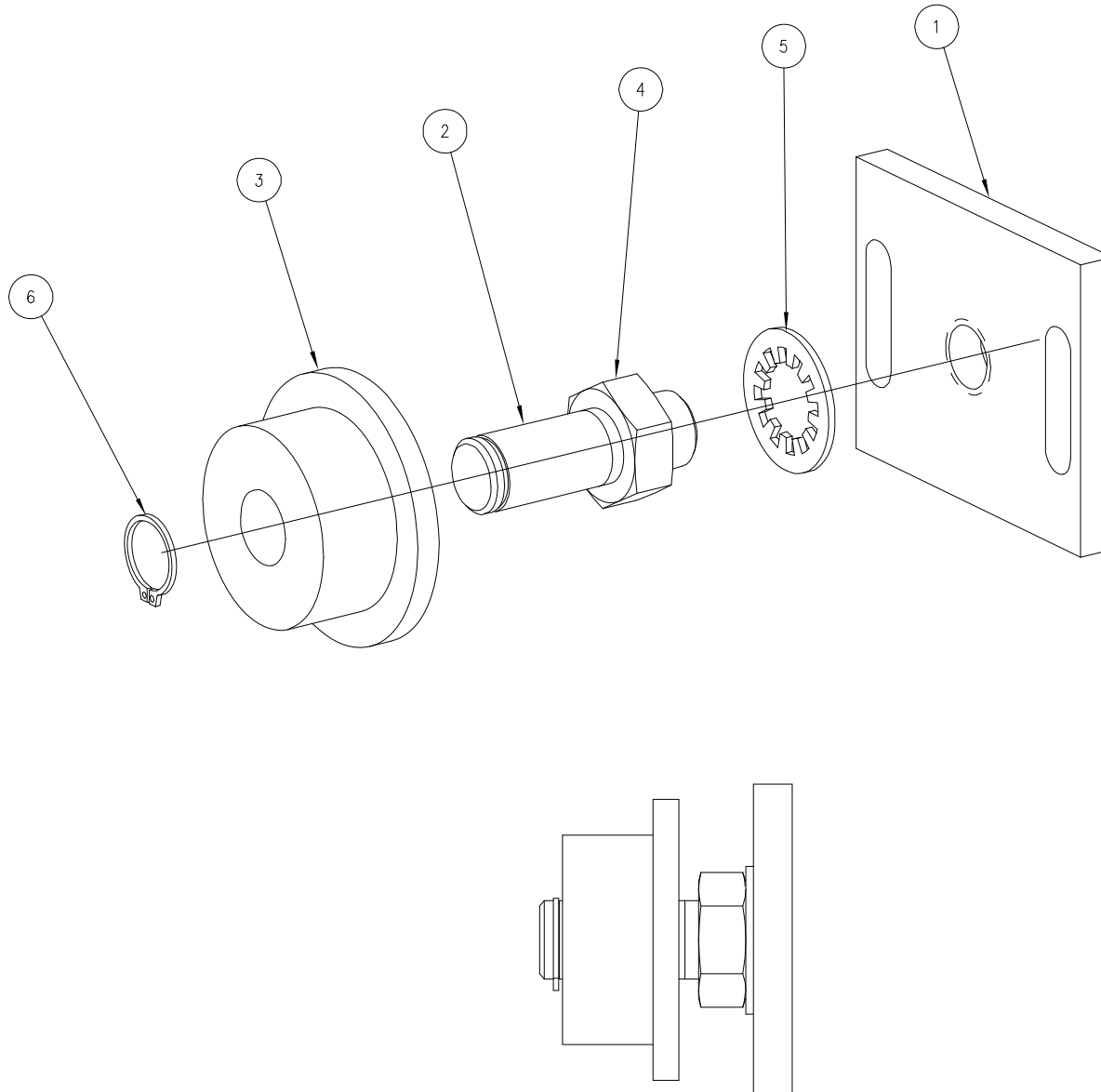
PL 5.34 Elevator 56421TCA (7/7)



No.	Part Number	Description	Qty.
1	56538	HINGE ROD	1
2	56539	KEEPER BRACKET	1
3	13940-1	HANDLE	1
4	45180-4	ACTUATOR KEY - INTERLOCK	1
5	56481-1	ELEVATOR COVER	1
6	56535-2	ELEVATOR DOOR	1
7	56536-1	HINGE ROD BRACKET	2
8	EE-3546-1	INTERLOCK SWITCH BODY	REF.
9	H-6416-832-6	WELDNUT - #8-32 TWIN PILOT	1
10	H-6423-#8	NUT - #8-32 HEX KEP	2
11	H-6423-#10	NUT - #10-24 HEX KEP	3
12	H-6888-83204	SCREW - #8-32 X 1/2 BUT HD T.P.	2
13	H-6910-406	SCREW - 1/4-20 X 3/4 BUT HD	4
14	H-6910-102404	SCREW - #10-24 X 1/2 BUT HD	3
15	H-6910-102405	SCREW - #10-24 X 5/8 BUT HD	4
16	H-6910-102406	SCREW - #10-24 X 3/4 BUT HD	3
17	H-6918-83212	SCREW - #8-32 X 1-1/2 SOC HD	2
18	H-6920-103204	SCREW - #10-32 X 1/2 BUT HD	2
19	H-7321-4	WASHER - 1/4 SAE PLAIN	5
20	H-7321-#8	WASHER - #8 SAE PLAIN	2
21	H-7321-#10	WASHER - #10 SAE PLAIN	3
22	H-7324-8	WASHER - 1/4 INT TOOTH	4
23	H-7324-#8	WASHER - #8 INT TOOTH	2
24	H-7324-#10	WASHER - #10 INT TOOTH	9
25	H-7327-#8	WASHER - #8 MEDIUM LOCK	2
26	S-1781-16	LABEL - CRUSH HAZARD	1

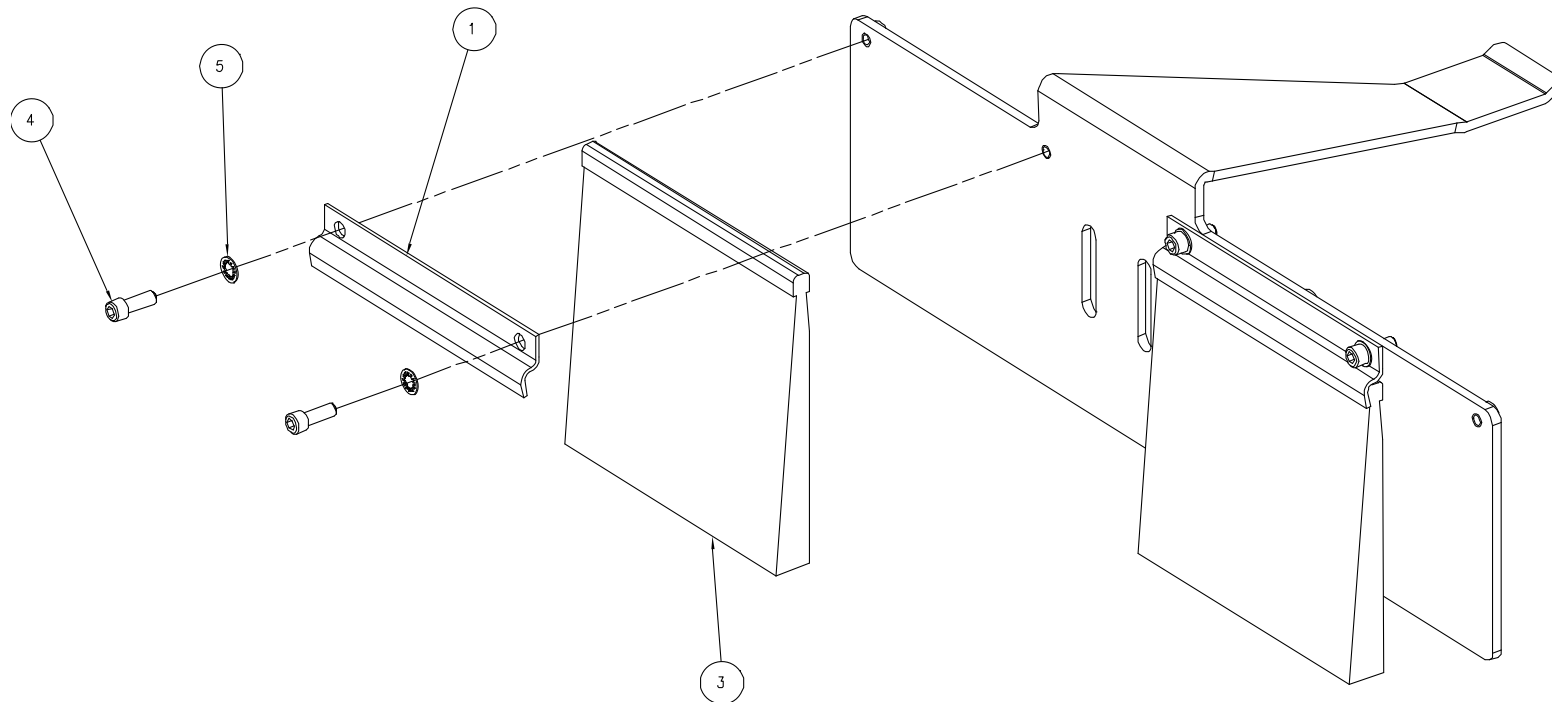
PL 5.35 Idler 56446

No.	Part Number	Description	Qty.
1	56444	IDLER BRACKET	1
2	56445	IDLER PIN	1
3	56447	IDLER SPROCKET	1
4	H-6424-8	NUT - 1/2-13 HEX JAM	1
5	H-7324-16	WASHER - 1/2 INT TOOTH	1
6	S-1073-50	RETAINING RING	1

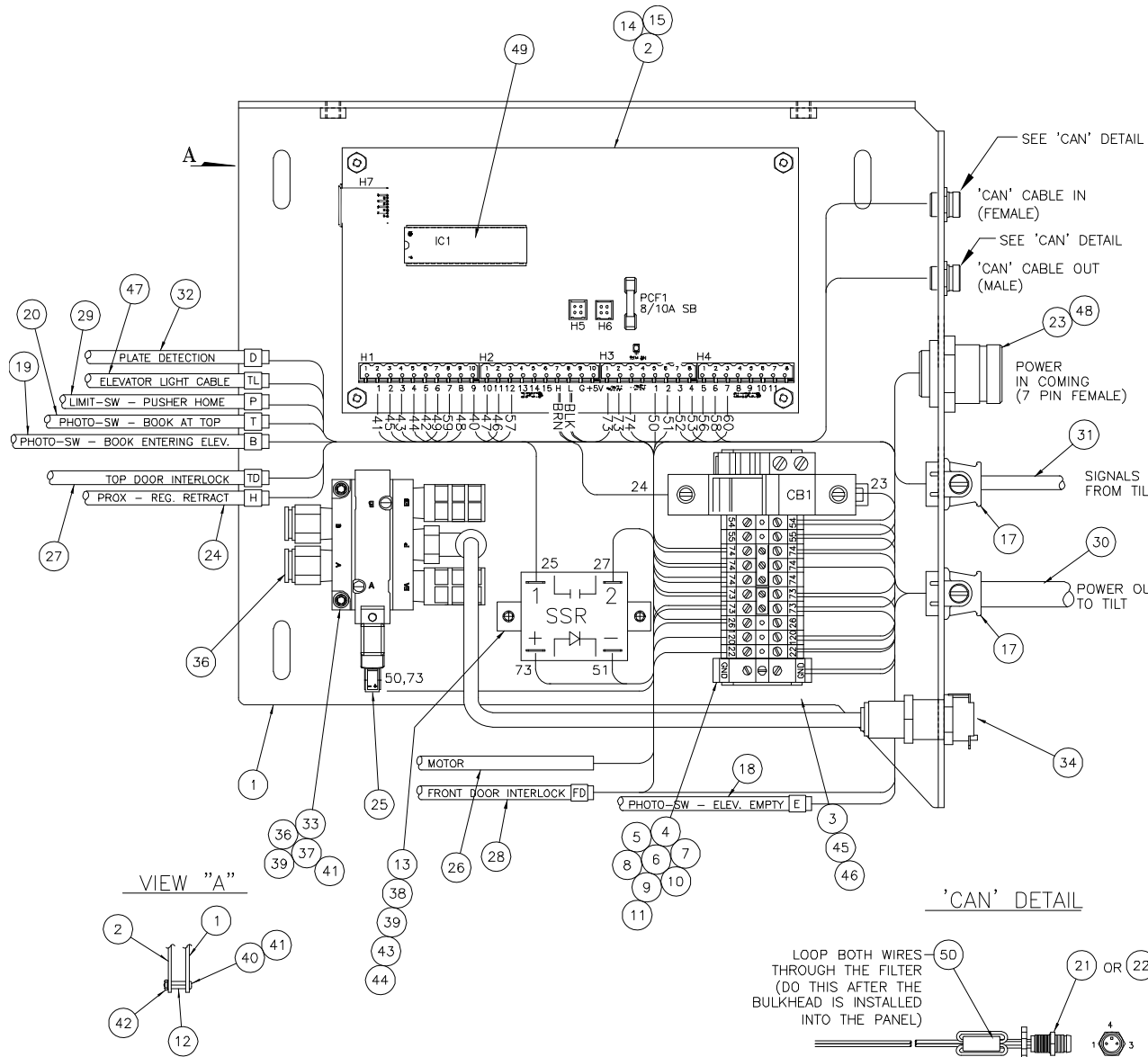


PL 5.36 Pusher 56483

No.	Part Number	Description	Qty.
1	56491	BRUSH HOLDER	2
2	56417-1	PUSHER PLATE	1
3	56484-303	BRUSH	2
4	H-6918-63203	SCREW - #6-32 X 3/8 SOC HD	4
5	H-7324-#6	WASHER - #6 INT TOOTH	4



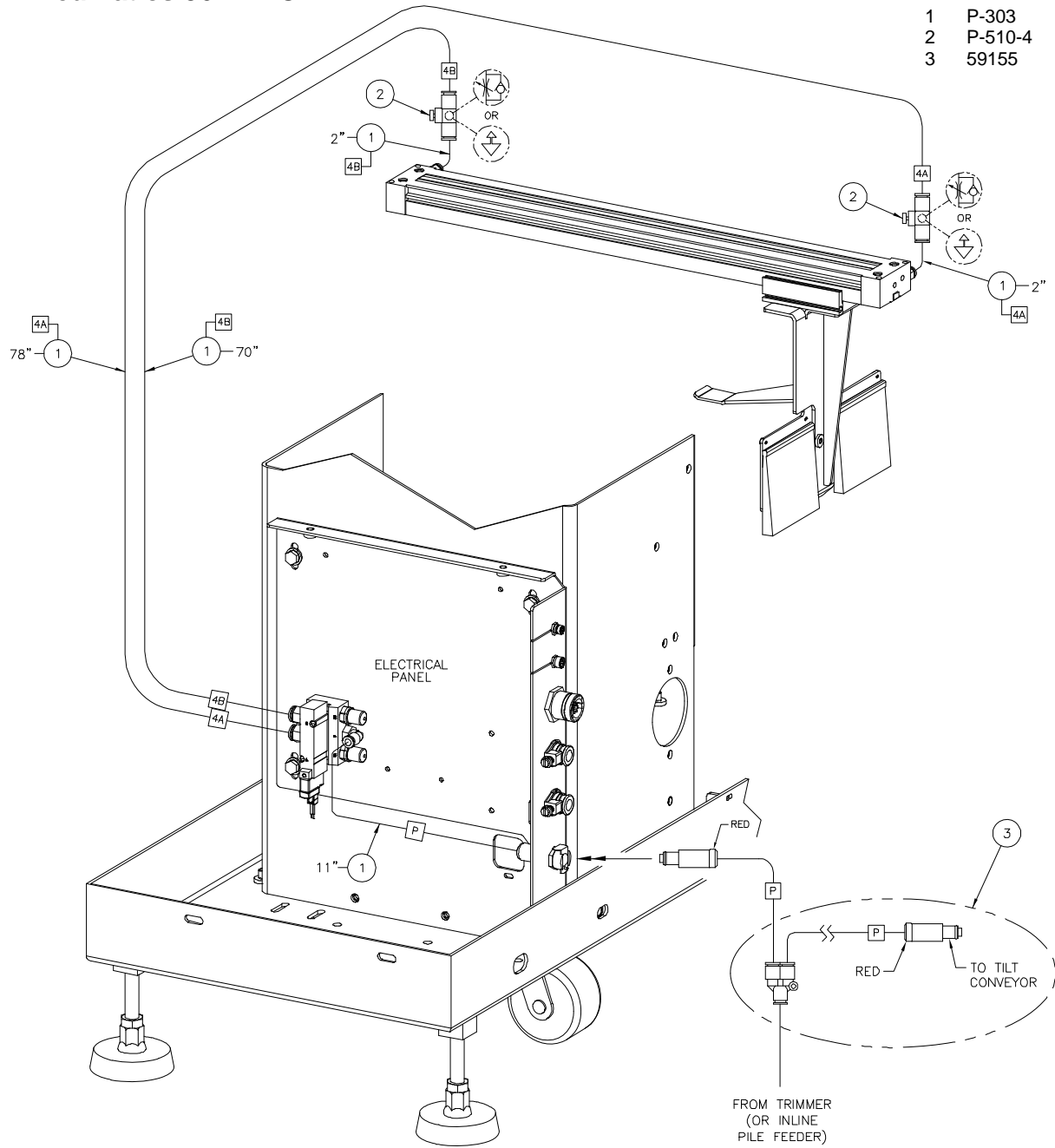
PL 5.37 Elev. Electrical Panel EE-3523



No.	Part No.	Description	Qty.
1	56499	PANEL - POWER, ELEVATOR	1
2	EE-3508-1	PC BOARD ASSEMBLY - I/O	1
3	E-1977-26	TERMINAL RAIL - 4" LONG	1
4	E-2068-8	TERMINAL BLOCK - #10 AWG	10
5	E-3264-2	CIRCUIT BREAKER - 1.6A	1
6	E-2068-3	TERMINAL BLOCK - GROUNDING	1
7	E-2070-1	END BRACKET	1
8	E-2864	SEPERATOR PLATE	1
9	E-2507-2	FIXED BRIDGE - 2 POLE	1
10	E-2507-3	FIXED BRIDGE - 3 POLE	1
11	E-1356-()	MARKING STRIP - TERMINAL BLOCK	2
12	E-1152-56	STAND-OFF - 1/2" LONG	5
13	E-2064-2	RELAY - SOLID STATE	1
14	E-2066-8	PLUG CONNECTOR - P.C.B. 8 PIN	2
15	E-2066-10	PLUG CONNECTOR - P.C.B. 10 PIN	2
16	E-709-R	WIRE - #18 GA. RED MTW (29" TOTAL)	1
17	S-1350-16	STRAIN RELIEF - CABLE, PLASTIC	2
18	EE-3541-10	PHOTO-SW ASM. - ELEV. NOT EMPTY "E"	1
19	EE-3541-11	PHOTO-SW ASM. - BOOK @ TOP "T"	1
20	EE-3541-12	PHOTO-SW ASM. - BOOK ENT. ELEV. "B"	1
21	EE-3460-5	PIGTAIL ASSEMBLY - MALE "CAN"	1
22	EE-3460-6	PIGTAIL ASSEMBLY - FEMALE "CAN"	1
23	EE-3550	PLUG ASM. - 7 POS MALE - POWER IN	1
24	EE-2397-6	SW. ASM. - MAG. POS., RETRACT "H"	1
25	EE-3531-22	PLUG ASM - AIR SOL., PUSHER OUT "1"	1
26	EE-3087-1	CABLE ASM - MOTOR	1
27	EE-3546	CABLE ASM - TOP DOOR INTLK "TD"	1
28	EE-3546-1	CABLE ASM. - FRONT DOOR INTLK "FD"	1
29	EE-3545	CABLE ASM. - PSHR HOME LIMIT SW. "P"	1
30	EE-3538-1	CABLE ASM - POWER OUT TO TILT	1
31	EE-3521	CABLE ASM - SIGNAL OUT TO TILT	1
32	EE-3533-5	PROX. SW. ASM. - PLATE DETECTION "D"	1
33	56665	PNEUMATIC VALVE ASM.	1
34	P-515	PUSH-IN CON. - (1/4 FEM. PASS-THRU)	1
35	P-511	SILENCER - 1/4NPT	2
36	P-500-402	STRAIGHT FITTING - 1/4 TUBE X 1/4NPT	2
37	P-503-402	ELBOW - 1/4 TUBE X 1/4NPT	1
38	E-1214-65	CONNECTOR - 1/4" FULLY INS. Q.D.	3
39	H-6918-63210	SCREW - #6-32 X 1-1/4 SOCKET HD CAP	2
40	H-6910-63203	SCREW - #6-32NC X 3/8" BUT HD CAP	5
41	H-7324-#6	WASHER - #6 INT. TOOTHLOCK	7
42	H-6423-#6	NUT, #6-32NC HEX (KEP STYLE)	5
43	H-6910-83203	SCREW - #8-32 X 3/8" BUT HD	2
44	H-7324-#8	WASHER - #8 INT. TOOTHLOCK	2
45	H-6918-102403	SCREW - #10-24 X 3/8" BUT HD CAP	2
46	H-7324-#10	WASHER - #10 INT. TOOTHLOCK	2
47	EE-3536-4	CABLE ASM. - ELEV. LIGHT (TOP) "TL"	1
48	E-519	NUT - CONDUIT PIGTAIL	1
49	EE-1888-26	IC - PROGRAMMED, TC ELEVATOR "IC1"	1
50	E-2756-9	FILTER - FERRITE BEAD	2

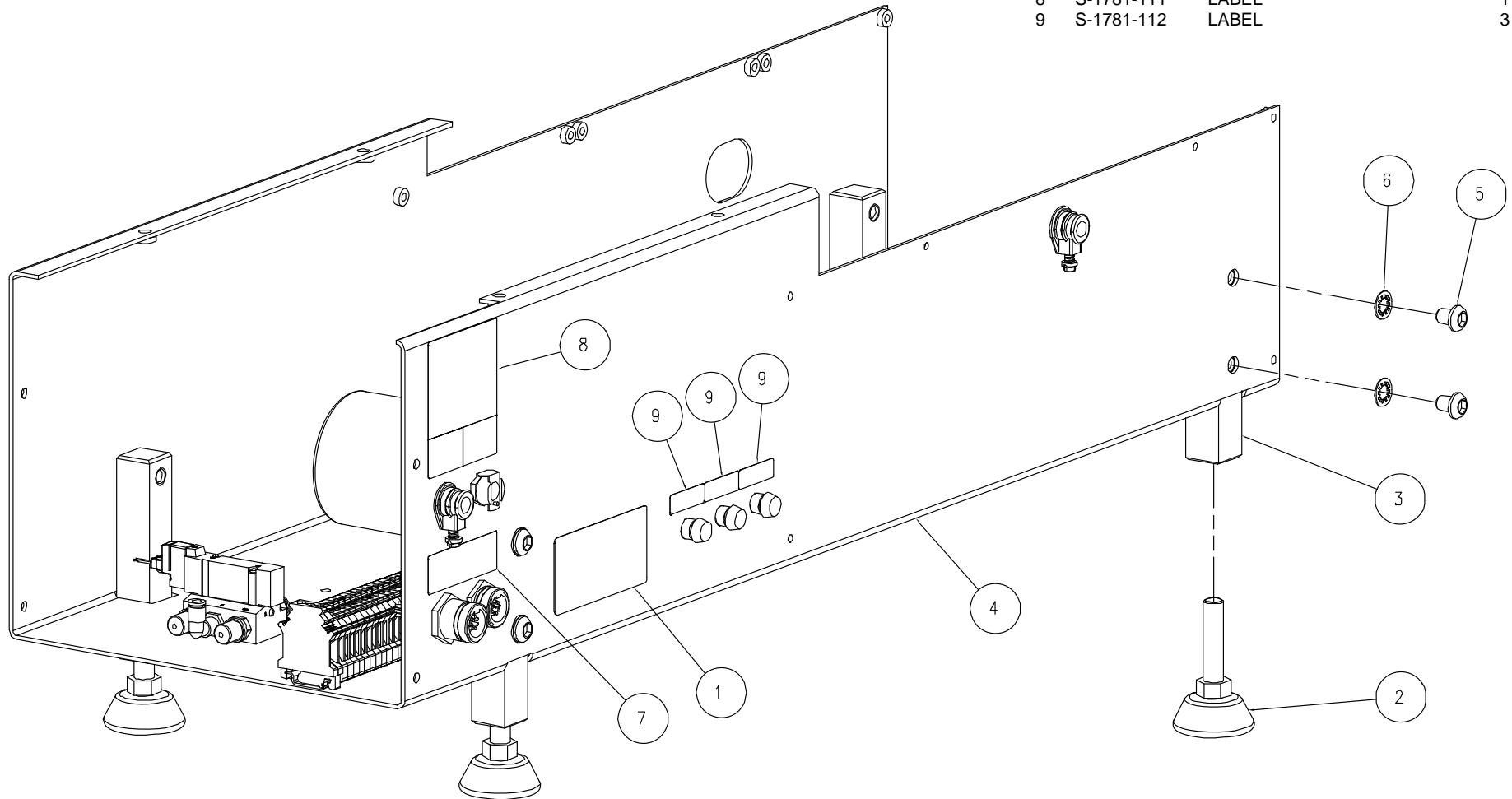
PL 5.38 Elev. Pneumatics 56421TCA-P

No.	Part No.	Description	Qty.
1	P-303	1/4" O.D. P.E. TUBING (SOLID BLUE)	-
2	P-510-4	AIR FLOW REGULATOR - 1/4" TUBE	2
3	59155	AIR TUBE ASM. - INFEED ACCESSORY	1



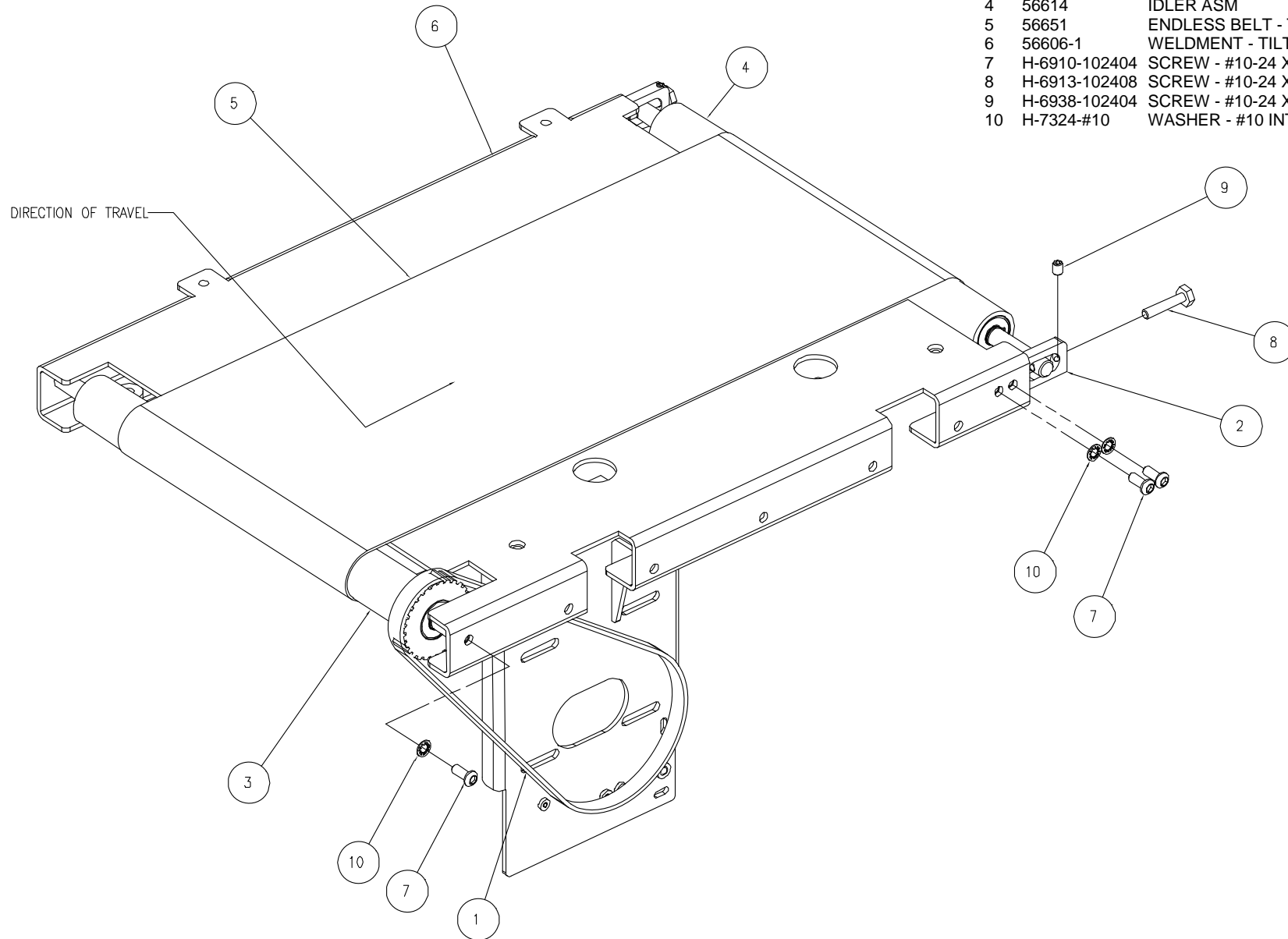
PL 5.39 Tilt Conveyor 56600TCA (1/8)

No.	Part Number	Description	Qty.
1	14050	SERIAL PLATE	1
2	56410	LEVELING PAD	4
3	56549	LEG	4
4	EE-3547	CONV. CASE AND ELEC. ASM.	1
5	H-6910-604	SCREW - 3/8-16 X 1/2 BUT HD	8
6	H-7324-12	WASHER - 3/8 INT TOOTH	8
7	S-1781-110	LABEL	1
8	S-1781-111	LABEL	1
9	S-1781-112	LABEL	3



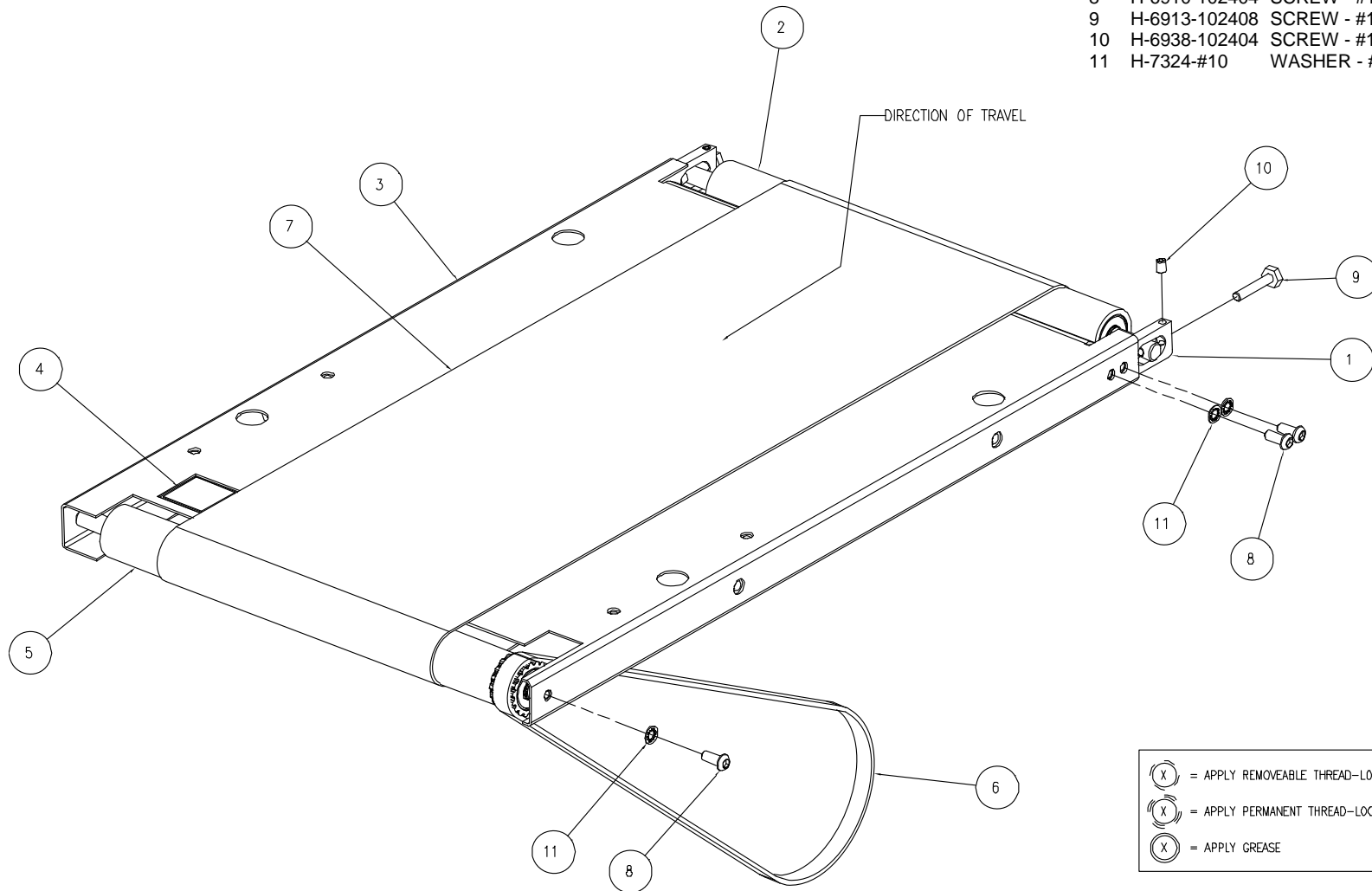
PL 5.40 Tilt Conveyor 56600TCA (2/8)

No.	Part Number	Description	Qty.
1	7909	TIMING BELT - 220XL037	1
2	56405	TENSIONER BLOCK	2
3	56613	DRIVE ASM	1
4	56614	IDLER ASM	1
5	56651	ENDLESS BELT - TILT CONV.	1
6	56606-1	WELDMENT - TILT FRAME	1
7	H-6910-102404	SCREW - #10-24 X 1/2 BUT HD	6
8	H-6913-102408	SCREW - #10-24 X 1 HEX HD	2
9	H-6938-102404	SCREW - #10-24 X 1/4 CUP SET	2
10	H-7324-#10	WASHER - #10 INT TOOTH	6



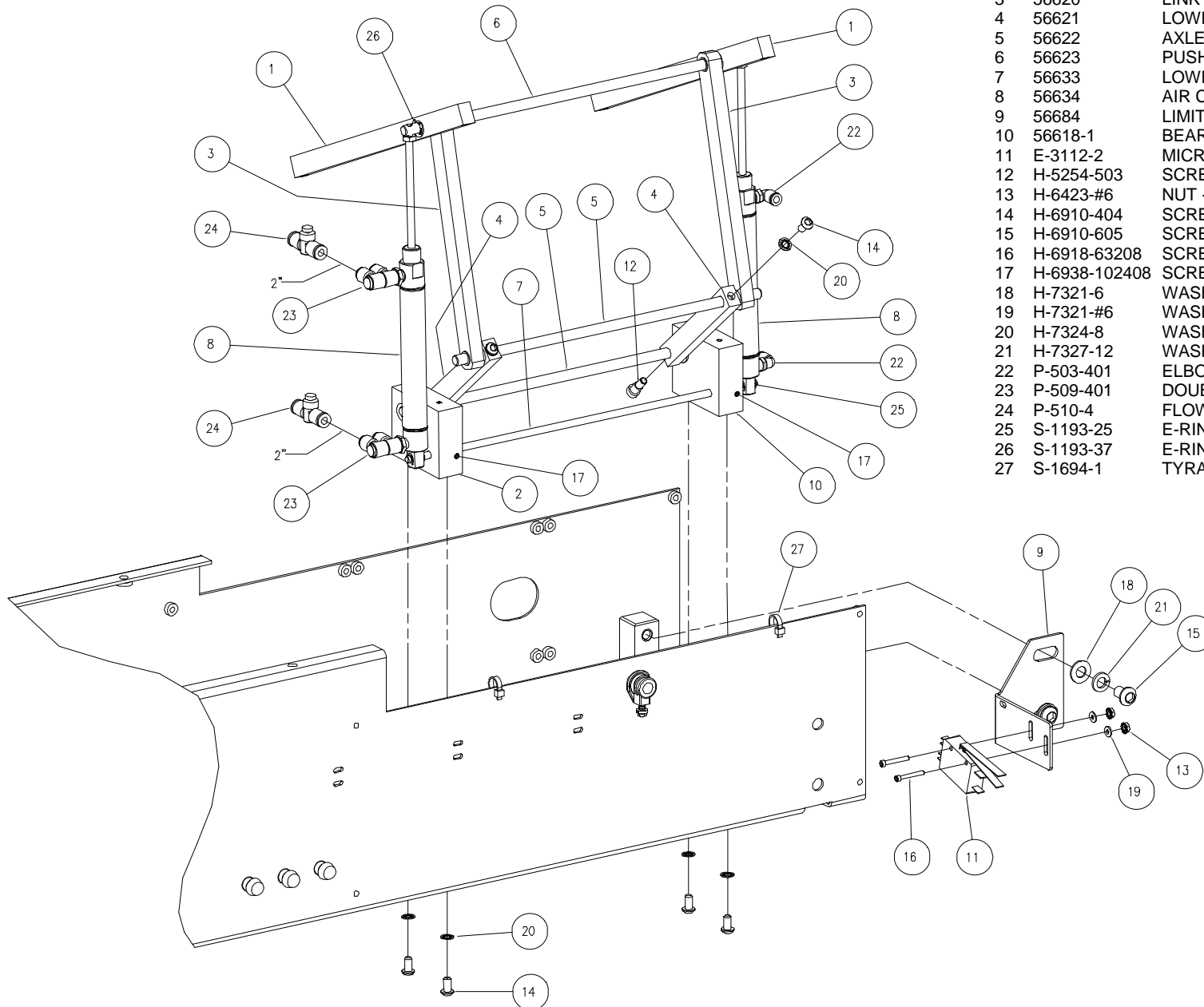
PL 5.41 Tilt Conveyor 56600TCA (3/8)

No.	Part Number	Description	Qty.
1	56405	TENSIONER BLOCK	2
2	56406	IDLER ASM	1
3	56602	FRAME	1
4	56180	REFLECTIVE TAPE - 1" WIDE	1"
5	56404-1	DRIVE ASM	1
6	56449-1	TIMING BELT- 280XL037	1
7	56610-1	BELT - BINDER CONVEYOR	1
8	H-6910-102404	SCREW - #10-24 X 1/2 BUT HD	6
9	H-6913-102408	SCREW - #10-24 X 1 HEX HD	2
10	H-6938-102404	SCREW - #10-24 X 1/4 CUP SET	2
11	H-7324-#10	WASHER - #10 INT TOOTH	6

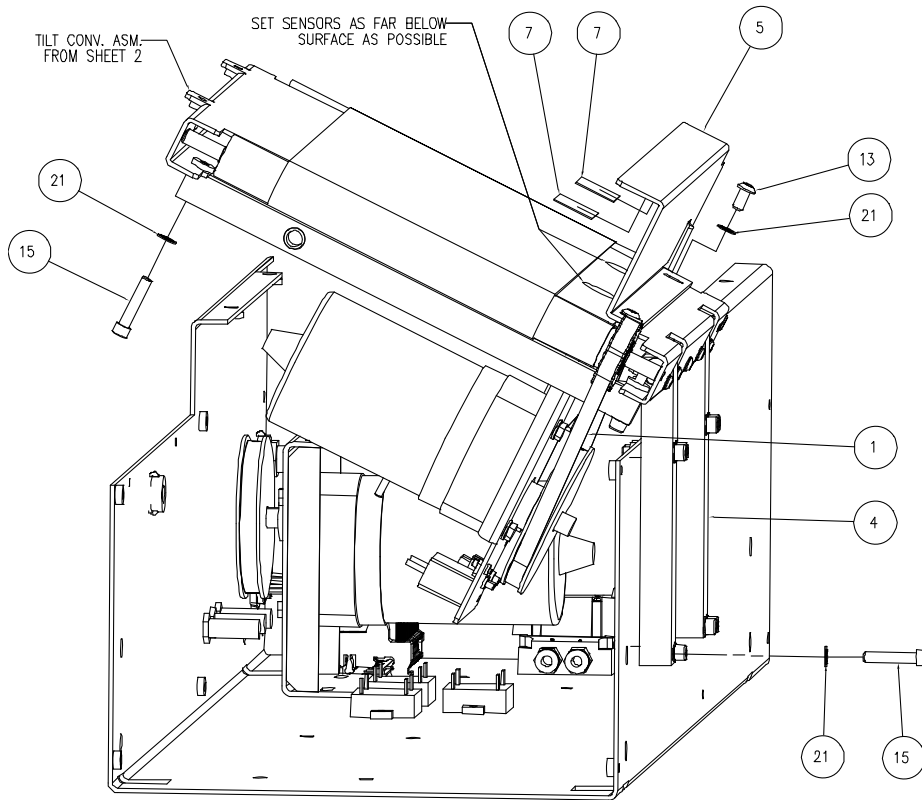


PL 5.42 Tilt Conveyor 5660TCA (4/8)

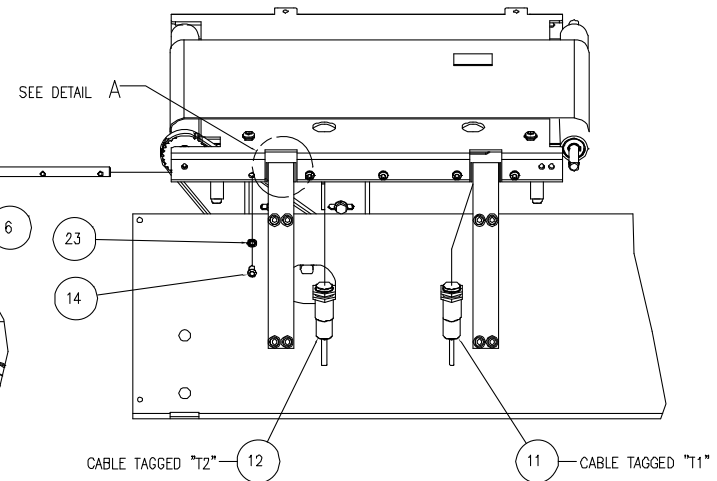
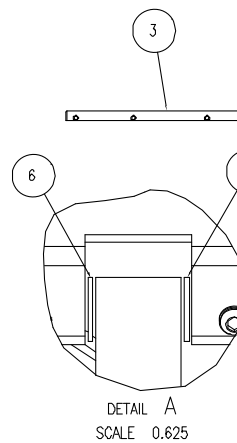
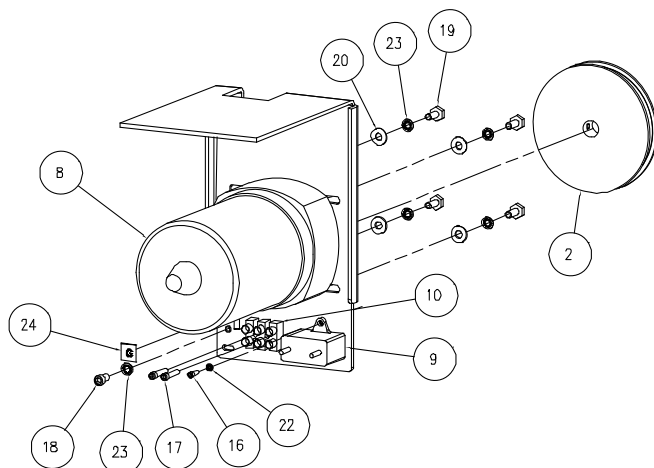
No.	Part Number	Description	Qty.
1	56604	TILT CROSS BAR ASSEMBLY	2
2	56618	BEARING BLOCK ASM. - RH	1
3	56620	LINK ASM	2
4	56621	LOWER LINK	2
5	56622	AXLE	2
6	56623	PUSH ROD	1
7	56633	LOWER CYLINDER MOUNT ROD	1
8	56634	AIR CYLINDER	2
9	56684	LIMIT SWITCH BRACKET	1
10	56618-1	BEARING BLOCK ASM. - LH	1
11	E-3112-2	MICROSWITCH	1
12	H-5254-503	SCREW - 5/16 X 3/8 SHSS	1
13	H-6423-#6	NUT - #6-32 HEX KEP	2
14	H-6910-404	SCREW - 1/4-20 X 1/2 BUT HD	8
15	H-6910-605	SCREW - 3/8-16 X 5/8 BUT HD	2
16	H-6918-63208	SCREW - #6-32 X 1 SOC HD	2
17	H-6938-102408	SCREW - #10-24 X 1/2 CUP SET	2
18	H-7321-6	WASHER - 3/8 SAE PLAIN	2
19	H-7321-#6	WASHER - #6 SAE PLAIN	2
20	H-7324-8	WASHER - 1/4 INT TOOTH	8
21	H-7327-12	WASHER - 3/8 MEDIUM LOCK	2
22	P-503-401	ELBOW-1/4 TUBE X 1/8 NPT	2
23	P-509-401	DOUBLE UNIV. EL. 1/4T X 1/8 NPT	2
24	P-510-4	FLOW CONTROLLER - 1/4 TUBE	2
25	S-1193-25	E-RING - 1/4"	4
26	S-1193-37	E-RING - 3/8"	2
27	S-1694-1	TYRAP	2



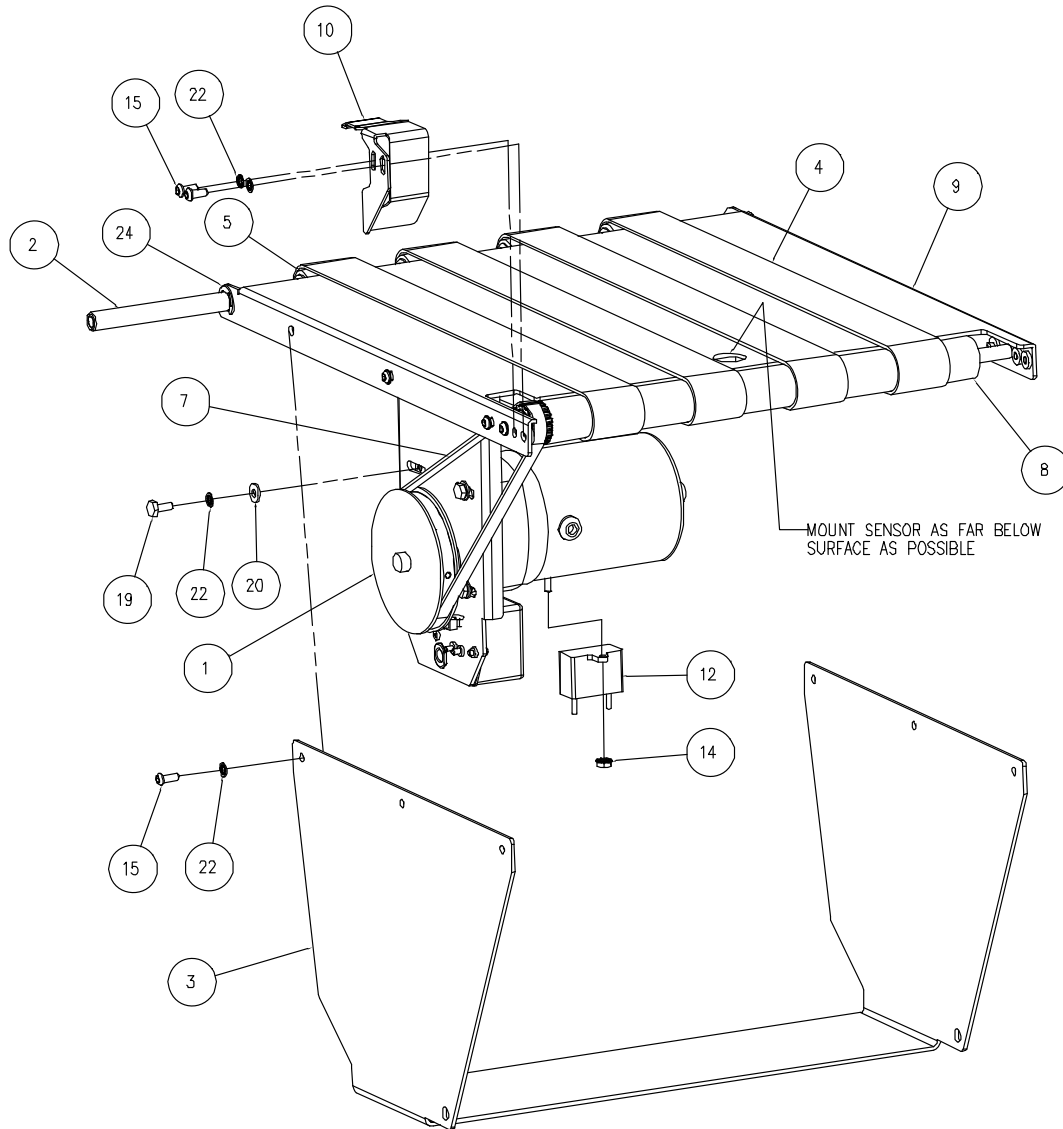
PL 5.43 Tilt Conveyor 56600TCA (5/8)



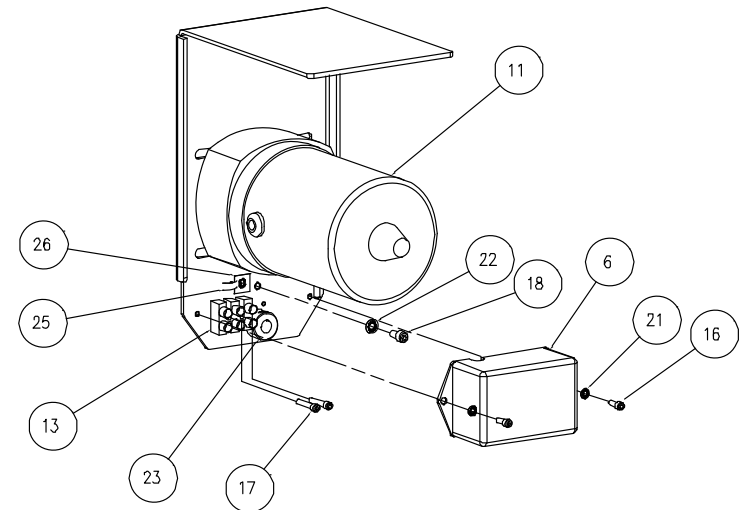
No.	Part Number	Description	Qty.
1	7909	TIMING BELT - 220XL037	1
2	56346	TIMING PULLEY - 56 GROOVE	1
3	56605	TILT HINGE ROD	1
4	56612	HINGE ASSEMBLY	2
5	56632	BOOK STOP	1
6	11288-5	WASHER/SPACER	4
7	56180	REFLECTIVE TAPE - 1" WIDE	1-1/2"
8	E-1600-163	GEAR MOTOR	1
9	E-2181-4	CAPACITOR	1
10	E-2626-3	TERMINAL STRIP (3P)	1
11	EE-3541-14	PROX. ASM. - TILT R - "T1"	REF
12	EE-3541-15	PROX. ASM. - TILT L - "T2"	REF
13	H-6910-404	SCREW - 1/4-20 X 1/2 BUT HD	2
14	H-6910-102404	SCREW - #10-24 X 1/2 BUT HD	5
15	H-6918-410	SCREW - 1/4-20 X 1-1/4 SOC HD	12
16	H-6918-44003	SCREW - #4-40 X 3/8 SOC HD	1
17	H-6918-63206	SCREW - #6-32 X 3/4 SOC HD	2
18	H-6918-102403	SCREW - #10-24 X 3/8 SOC HD	1
19	H-6990-103204	SCREW - #10-32 X 1/2 HEX HD	4
20	H-7321-#10	WASHER - #10 SAE PLAIN	4
21	H-7324-8	WASHER - 1/4 INT TOOTH	14
22	H-7324-#4	WASHER - #4 INT TOOTH	1
23	H-7324-#10	WASHER - #10 INT TOOTH	10
24	S-1781-42	LABEL - GROUND	1



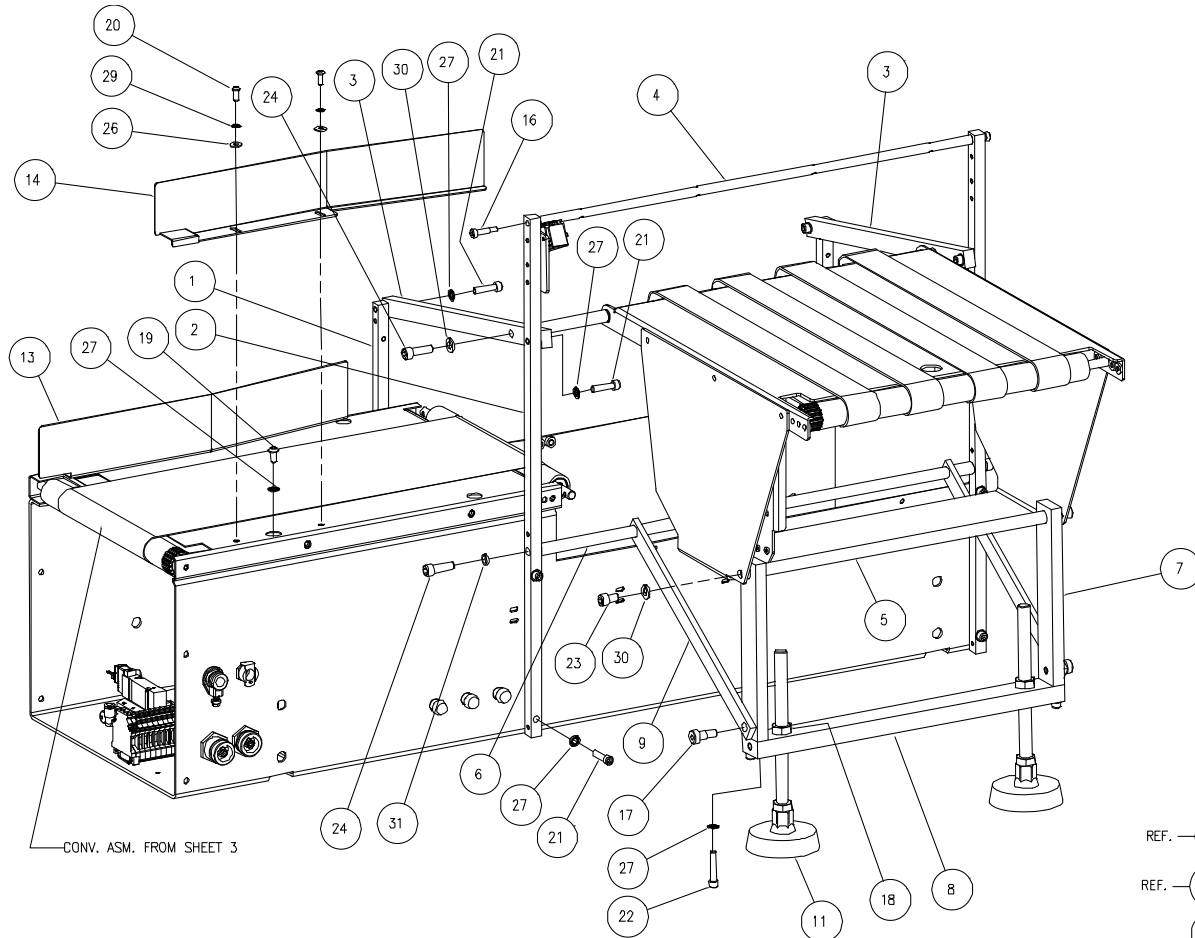
PL 5.44 Tilt Conveyor 56600TCA (6/8)



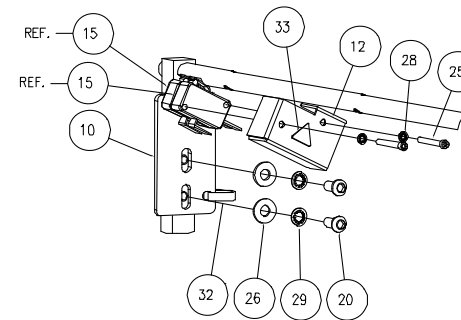
No.	Part Number	Description	Qty.
1	56346	TIMING PULLEY - 56 GROOVE	1
2	56638	IDLER ROD	1
3	56640	MOTOR GUARD	1
4	56644	ENDLESS BELT	4
5	56669	PULLEY	4
6	56681	COVER	1
7	56564-1	TIMING BELT - 240XL037	1
8	56641-1	DRIVE ROLLER ASM	1
9	56656-1	FRAME WELDMENT	1
10	56683-1	BELT GUARD	1
11	E-1600-163	GEAR MOTOR	1
12	E-2181-4	CAPACITOR	1
13	E-2626-3	TERMINAL STRIP (3P)	1
14	H-6423-#8	NUT - #8-32 HEX KEP	1
15	H-6910-102404	SCREW - #10-24 X 1/2 BUT HD	10
16	H-6918-63203	SCREW - #6-32 X 3/8 SOC HD	2
17	H-6918-63206	SCREW - #6-32 X 3/4 SOC HD	2
18	H-6918-102403	SCREW - #10-24 X 3/8 SOC HD	1
19	H-6990-103204	SCREW - #10-32 X 1/2 HEX HD	4
20	H-7321-#10	WASHER - #10 SAE PLAIN	4
21	H-7324-#6	WASHER - #6 INT TOOTH	2
22	H-7324-#10	WASHER - #10 INT TOOTH	15
23	S-1350	STRAIN RELIEF BUSHING	1
24	S-1193-50	E-RING - 1/2"	10
25	S-1694-1	TYRAP	1
26	S-1781-42	LABEL - GROUND	1



PL 5.45 Tilt Conveyor 56600TCA (7/8)

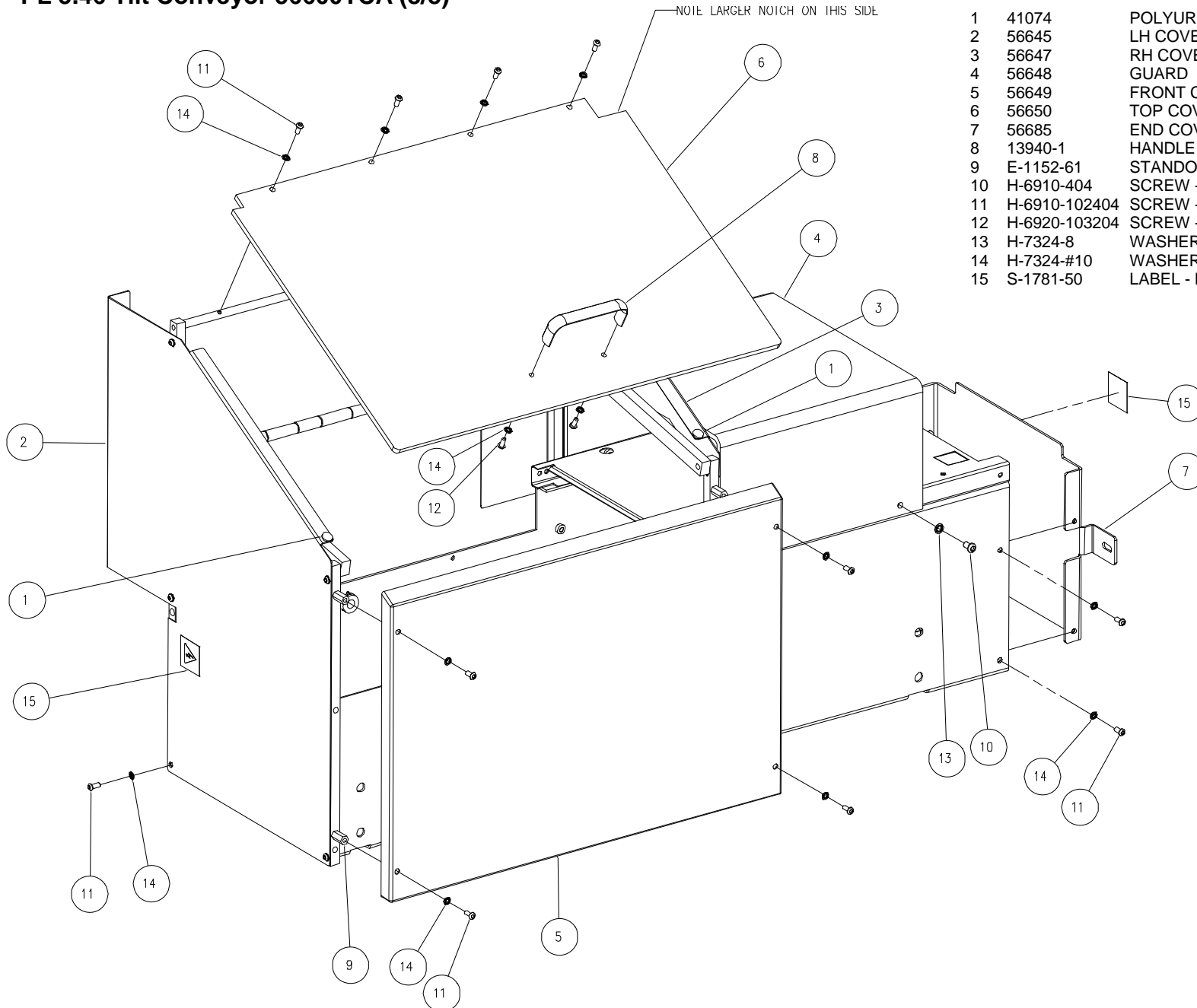


No.	Part Number	Description	Qty.
1	56635	FRONT FRAME BAR	2
2	56636	REAR FRAME BAR	2
3	56637	TIE BAR	2
4	56646	DOOR HINGE ROD	1
5	56658	TIE ROD	1
6	56659	TIE ROD	1
7	56660	SUPPORT BLOCK	2
8	56661	SUPPORT BLOCK	1
9	56663	LINK	2
10	56664	SWITCH BRACKET	1
11	56670	LEVELING FOOT ASSEMBLY	2
12	56671	SWITCH COVER	1
13	56682	BOOK GUIDE - RH	1
14	56687-1	BOOK GUIDE - LH	1
15	E-866-9	POSITIVE ACTION SWITCH	REF
16	H-5254-405	SCREW - 1/4 X 5/8 SHSS	2
17	H-5254-603	SCREW - 3/8 X 3/8 SHSS	2
18	H-6424-8	NUT - 1/2-13 HEX JAM	2
19	H-6910-404	SCREW - 1/4-20 X 1/2 BUT HD	4
20	H-6910-102404	SCREW - #10-24 X 1/2 BUT HD	6
21	H-6918-408	SCREW - 1/4-20 X 1 SOC HD	12
22	H-6918-410	SCREW - 1/4-20 X 1-1/4 SOC HD	4
23	H-6918-504	SCREW - 5/16-18 X 1/2 SOC HD	2
24	H-6918-508	SCREW - 5/16-18 X 1 SOC HD	4
25	H-6918-44008	SCREW - #4-40 X 1 SOC HD	2
26	H-7321-#10	WASHER - #10 SAE PLAIN	6
27	H-7324-8	WASHER - 1/4 INT TOOTH	20
28	H-7324-#4	WASHER - #4 INT TOOTH	2
29	H-7324-#10	WASHER - #10 INT TOOTH	6
30	H-7327-10	WASHER - 5/16 MEDIUM LOCK	4
31	H-7329-5	WASHER - 5/16 HIGH COL. LOCK	2
32	S-1694-1	TYRAP	1
33	S-1781-113	LABEL - ELECTRIC SHOCK	1



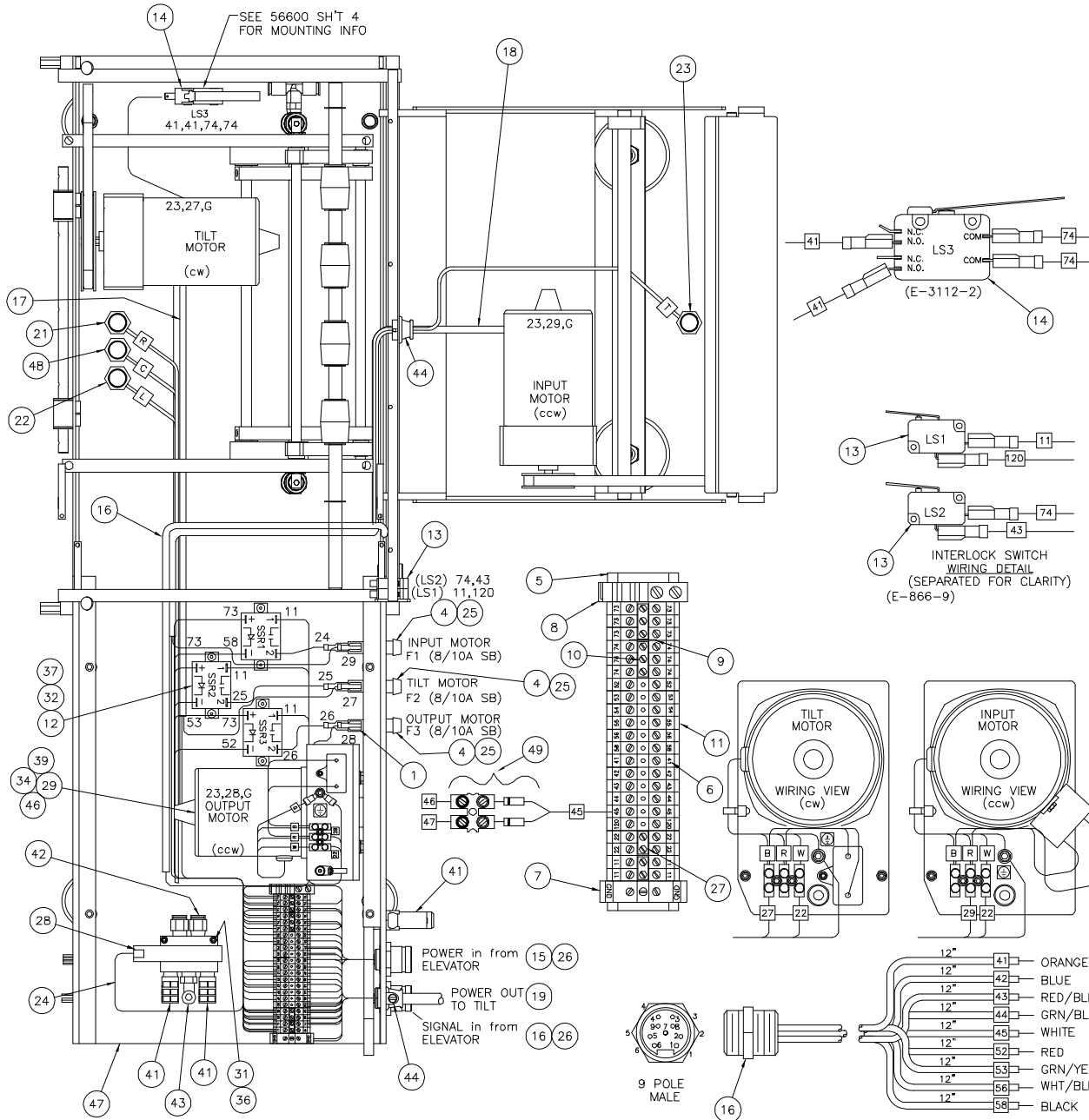
SWITCH DETAIL
SCALE 0.375

PL 5.46 Tilt Conveyor 56600TCA (8/8)



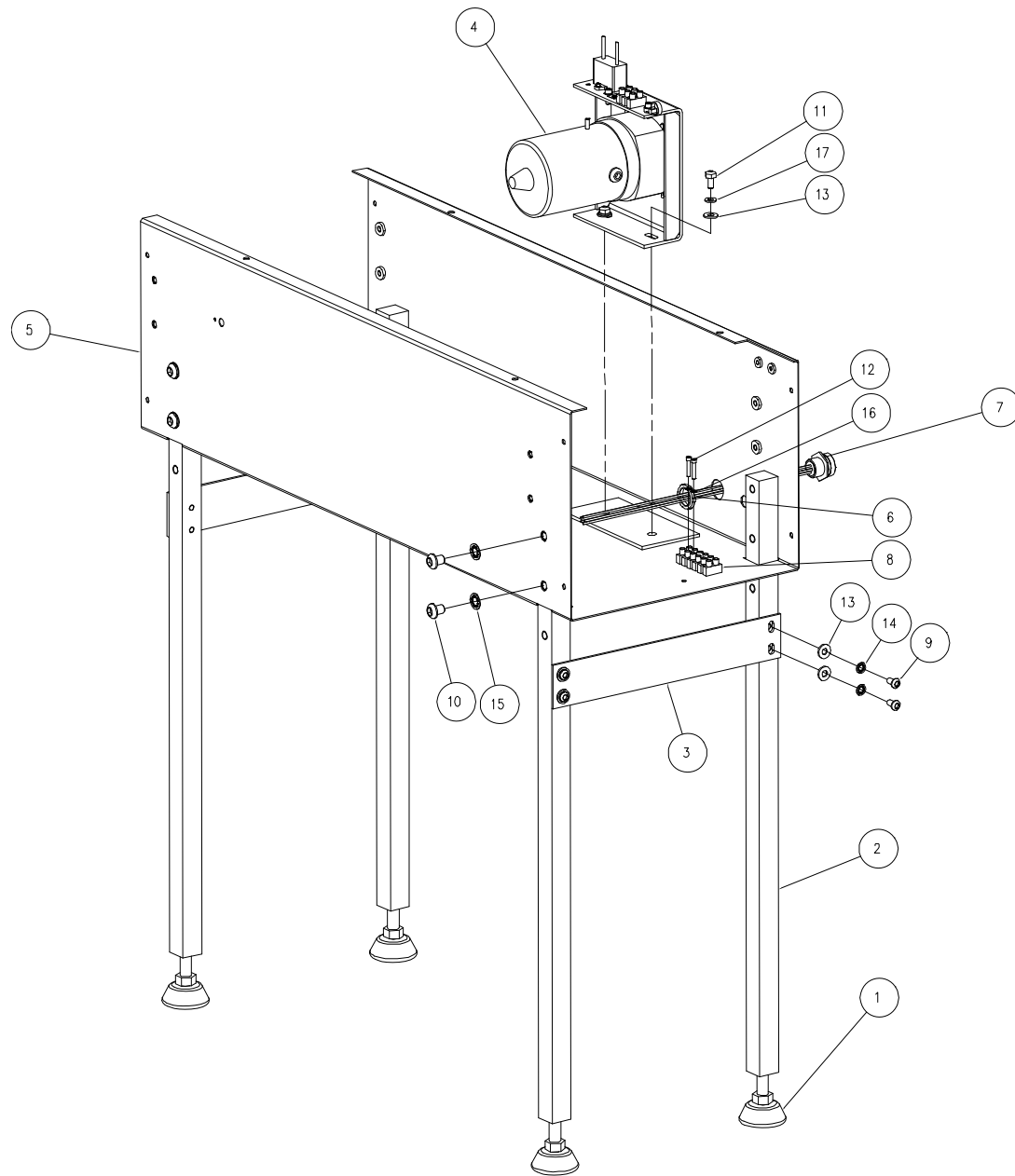
No.	Part Number	Description	Qty.
1	41074	POLYURETHANE DOT	2
2	56645	LH COVER	1
3	56647	RH COVER	1
4	56648	GUARD	1
5	56649	FRONT COVER	1
6	56650	TOP COVER	1
7	56685	END COVER	1
8	13940-1	HANDLE	1
9	E-1152-61	STANDOFF	4
10	H-6910-404	SCREW - 1/4-20 X 1/2 BUT HD	4
11	H-6910-102404	SCREW - #10-24 X 1/2 BUT HD	20
12	H-6920-103204	SCREW - #10-32 X 1/2 BUT HD	2
13	H-7324-8	WASHER - 1/4 INT TOOTH	4
14	H-7324-#10	WASHER - #10 INT TOOTH	22
15	S-1781-50	LABEL - ELECTRIC SHOCK	2

PL 5.47 Tilt Conv. Elec. Panel EE-3547



No.	Part Number	Description	Qty.
1	E-1214-65	CONN.- 1/4" FULLY INS. QUICK DISC.	19
2	E-709-R	WIRE - #18 GA. RED MTW 343" TOTAL	1
3	E-2743	WIRE - #18 GA. GRN/YEL 18" LONG	1
4	E-530-15	FUSE HOLDER - METRIC	3
5	E-1977-13	TERMINAL RAIL - 6" LONG	1
6	E-2068-8	TERMINAL BLOCK - #10 AWG	22
7	E-2068-3	TERMINAL BLOCK - GROUNDING	1
8	E-2070-1	END BRACKET	1
9	E-2864	SEPERATOR PLATE	2
10	E-2507-3	FIXED BRIDGE - 3 POLE	2
11	E-1356-()	MARKING STRIP - TERMINAL BLOCK	2
12	E-2064-2	RELAY - SOLID STATE	3
13	E-866-9	LIMIT SWITCH - TILT DOOR CLOSED	2
14	E-3112-2	LIMIT SWITCH - TILT CONVEYOR UP	1
15	EE-3550	PLUG ASM. - IN-COMING SIGNALS	1
16	E-2450-5	PIGTAIL - 9 POS. SIGNAL FROM ELEV.	1
17	EE-3094-1	CABLE ASM.- TILT DOOR INTERLOCK	1
18	EE-2949-8	CABLE ASM. - TILT CONV. MOTOR	1
19	EE-2949-9	CABLE ASM. - REC'R CONV. MOTOR	1
20	EE-3538-2	CABLE ASM. - POWER TO FEEDER	1
21	EE-3541-15	PHOTO-SW. ASM. - TILT CONV. "R"	1
22	EE-3541-14	PHOTO-SW. ASM. - TILT CONV. "L"	1
23	EE-3541-13	PHOTO-SW. ASM. - ENTERING TILT (T)	1
24	EE-3531-23	PLUG ASM. - AIR - TILT CONV. UP	1
25	E-2330-12	FUSE - METRIC, GLASS - 8/10A SB	3
26	E-519	CONDUIT NUT - 1/2" STEEL	2
27	E-2507-2	FIXED BRIDGE - 2 POLE	2
28	56665	PNEUMATIC VALVE ASM.	1
29	56340-1	CONVEYOR DRIVE ASM. - 56 GROOVE	1
30	H-6910-404	SCREW - 3/8-16 X 1/2 BUT HD CAP	8
31	H-6918-63210	SCREW - 6-32 X 1-1/4 SOCKET HD CAP	2
32	H-6918-83204	SCREW - 8-32 X 1/2 SOCKET HD CAP	6
33	H-6918-102404	SCREW -10-24 X 1/2 SOCKET HD CAP	2
34	H-7321-4	WASHER - 1/4 SAE PLAIN	2
35	H-7324-12	WASHER - 3/8 INT. TOOTHLOCK	8
36	H-7324-#6	WASHER - #6 INT. TOOTHLOCK	2
37	H-7324-#8	WASHER - #8 INT. TOOTHLOCK	6
38	H-7324-#10	WASHER - #10 INT. TOOTHLOCK	2
39	H-7327-8	WASHER - 1/4 MEDIUM LOCK	2
40	P-511	SILENCER - 1/4 NPT	2
41	P-515	PUSH-IN CONN. (1/4 FEM PASS-THRU)	1
42	P-500-402	STR. FITTING - 1/4 TUBE X 1/4 NPT	2
43	P-503-402	ELBOW - 1/4 TUBE X 1/4 NPT	1
44	S-1350-16	STRAIN RELIEF BUSHING	2
45	S-1781-42	LABEL - GROUND	2
46	H-6913-404	SCREW - 1/4-20 X 1/2 HEX HD CAP	2
47	56601	CASE - CONVEYOR, TILT	1
48	EE-3541-23	PHOTO-SW. ASM. - TILT CONV. "C"	1
49	EE-3029-7	TERMINAL STRIP ASM. - 'OR' GATE	1

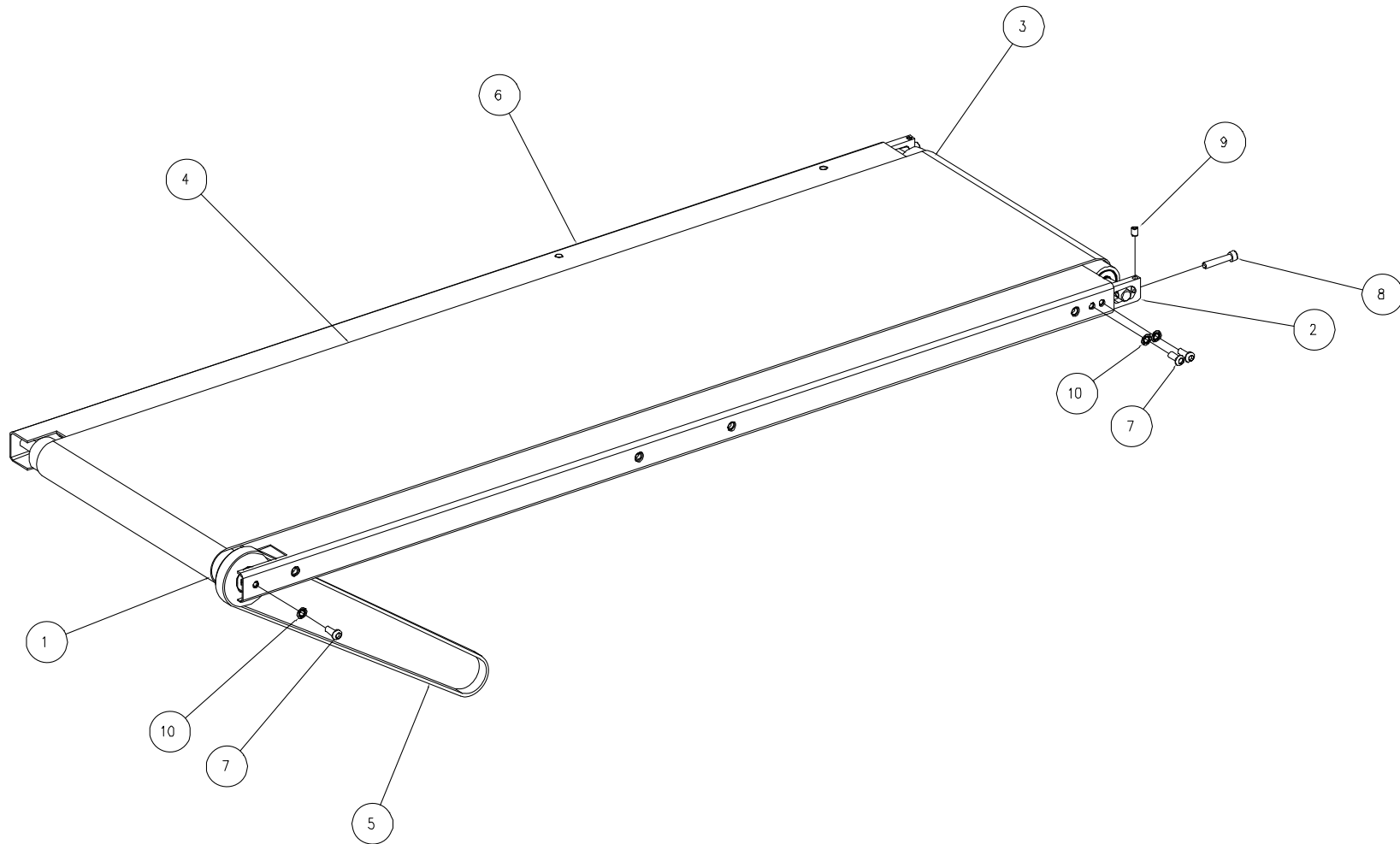
PL 5.49 Long Hand-Feed 56413B (1/3)



No.	Part Number	Description	Qty.
1	56410	LEVELING PAD	4
2	56419	LEG	4
3	56463	LEG BRACE	2
4	56340-2	CONVEYOR DRIVE ASM	1
5	56409-1	CONVEYOR CASE	1
6	E-519	CONDUIT LOCKNUT	1
7	E-2450-1	CABLE PIGTAIL- SPOOL MON.	1
8	E-2626-6	TERMINAL STRIP (6P)	1
9	H-6910-404	SCREW - 1/4-20 X 1/2 BUT HD	8
10	H-6910-604	SCREW - 3/8-16 X 1/2 BUT HD	8
11	H-6913-404	SCREW - 1/4-20 X 1/2 HEX HD	2
12	H-6918-63206	SCREW - #6-32 X 3/4 SOC HD	2
13	H-7321-4	WASHER - 1/4 SAE PLAIN	10
14	H-7324-8	WASHER - 1/4 INT TOOTH	8
15	H-7324-12	WASHER - 3/8 INT TOOTH	8
16	H-7324-#6	WASHER - #6 INT TOOTH	2
17	H-7327-8	WASHER - 1/4 MEDIUM LOCK	2

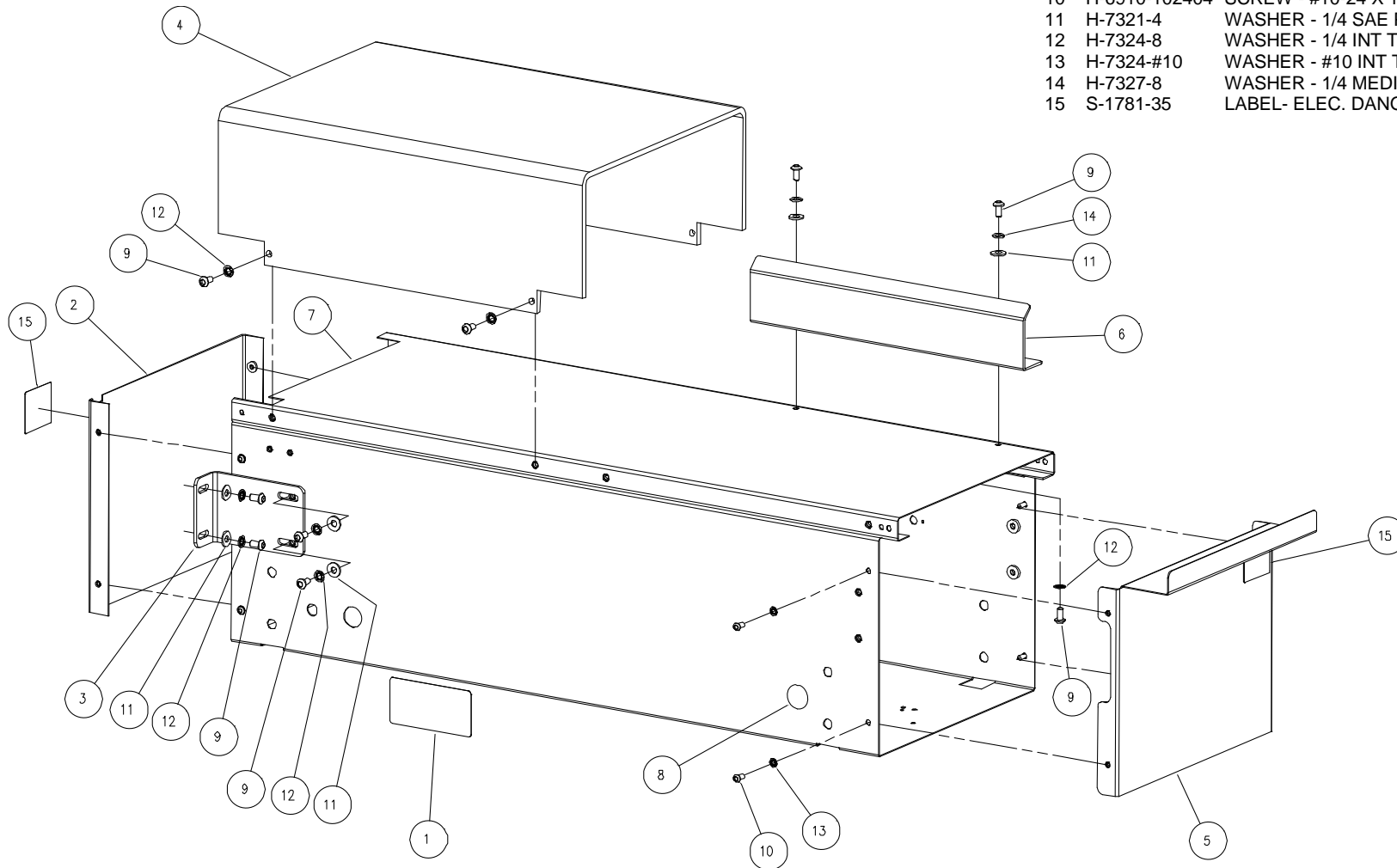
PL 5.50 Long Hand-Feed 56413B (2/3)

No.	Part Number	Description	Qty.
1	56404	DRIVE ASM	1
2	56405	TENSIONER BLOCK	2
3	56406	IDLER ASM	1
4	56544	ENDLESS BELT- EXT. CONV.	1
5	56564	TIMING BELT- 250XL037	1
6	56426-1	FRAME	1
7	H-6910-102404	SCREW - #10-24 X 1/2 BUT HD	6
8	H-6918-102408	SCREW - #10-24 X 1 SOC HD	2
9	H-6938-102404	SCREW - #10-24 X 1/4 CUP SET	2
10	H-7324-#10	WASHER - #10 INT TOOTH	6

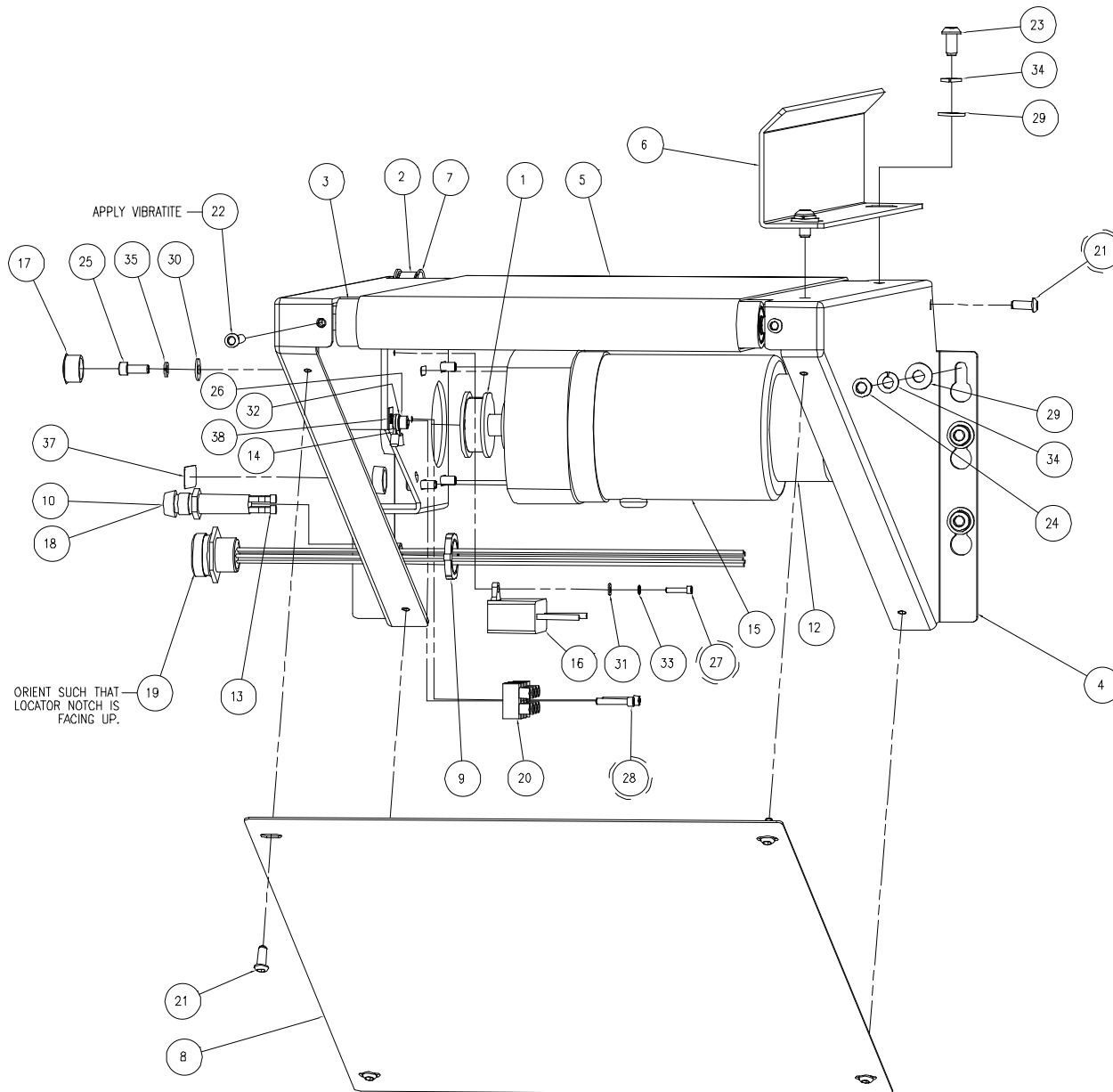


PL 5.51 Long Hand-Feed 56413B (3/3)



No.	Part Number	Description	Qty.
1	14050	SERIAL PLATE	1
2	56412	END COVER	1
3	56416	CONVEYOR MOUNT BRACKET	2
4	56467	CONVEYOR COVER	1
5	56479	END COVER	1
6	59203	INFEED BOOK GUIDE	1
7	56426-1	FRAME	1
8	E-2196-11	HOLE PLUG	1
9	H-6910-404	SCREW - 1/4-20 X 1/2 BUT HD	17
10	H-6910-102404	SCREW - #10-24 X 1/2 BUT HD	8
11	H-7321-4	WASHER - 1/4 SAE PLAIN	10
12	H-7324-8	WASHER - 1/4 INT TOOTH	15
13	H-7324-#10	WASHER - #10 INT TOOTH	8
14	H-7327-8	WASHER - 1/4 MEDIUM LOCK	2
15	S-1781-35	LABEL- ELEC. DANGER (EURO)	2



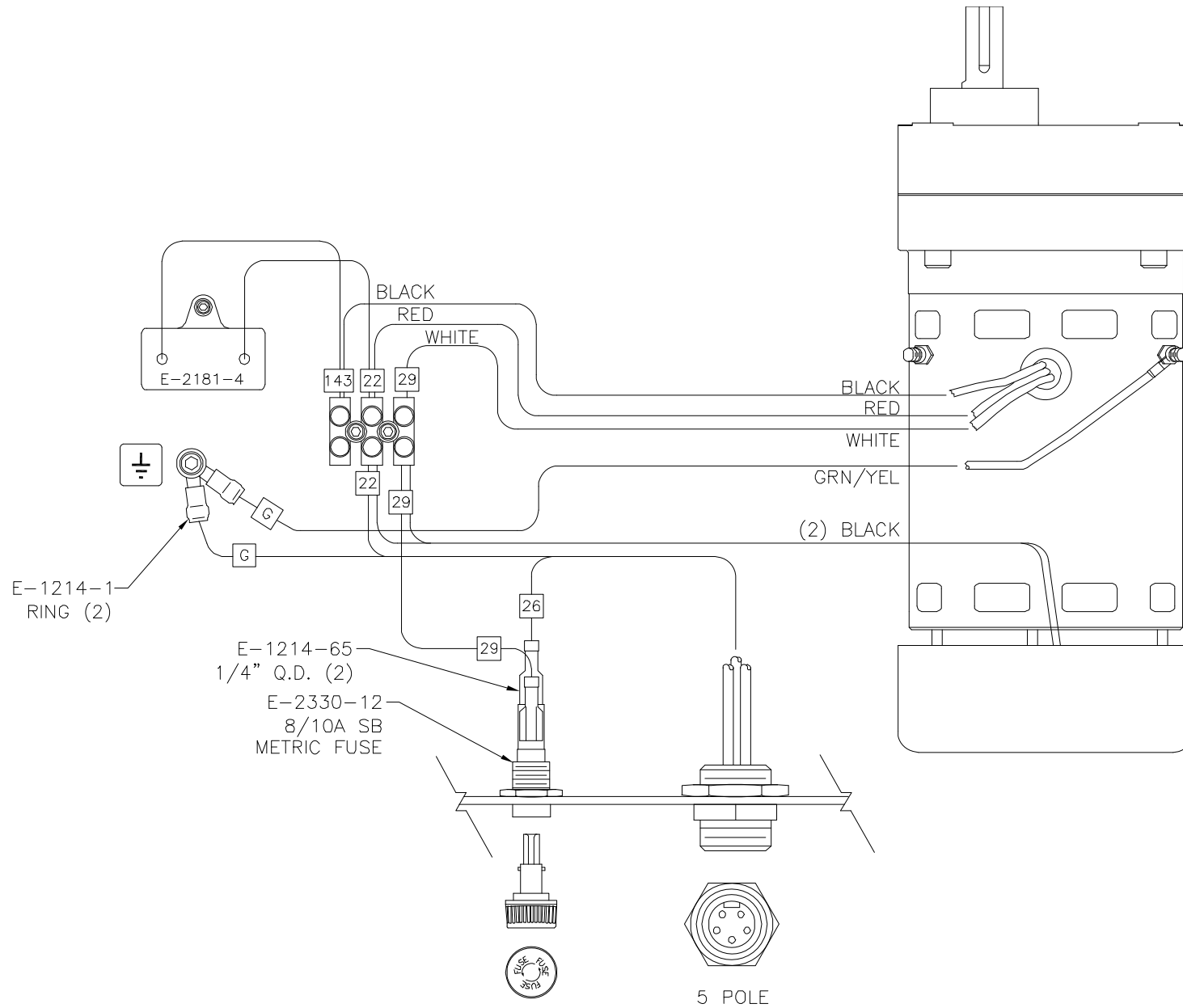
PL 5.53 Std. Hand-Feed Conv. 59200



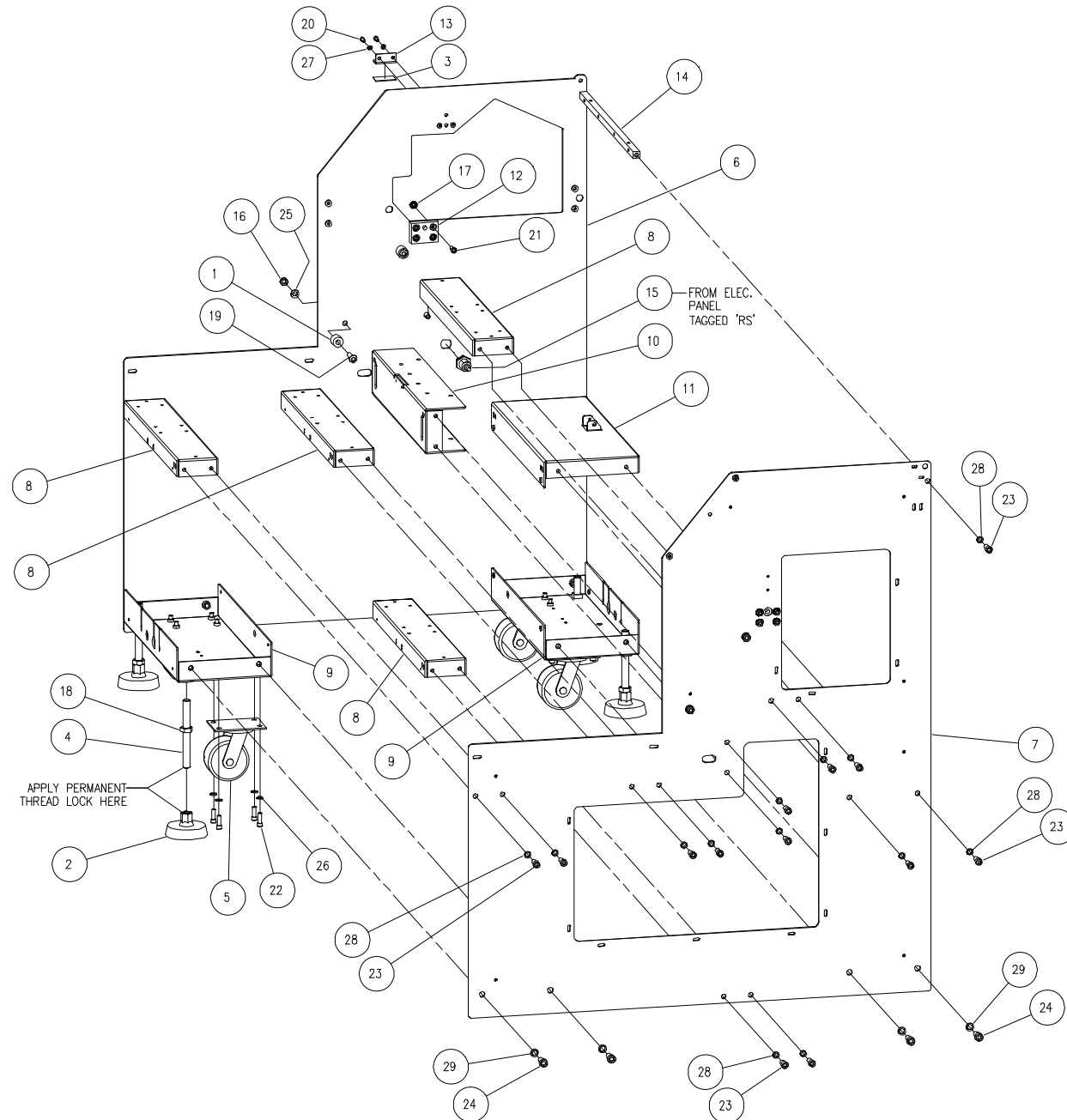
No.	Part Number	Description	Qty.
1	56563	TIMING PULLEY- 20 GROOVE	1
2	59048	TIMING BELT - 110XL037	1
3	59066	ROLLER ASSEMBLY	1
4	59201	INFEED CASE	1
5	59202	ENDLESS BELT	1
6	59203	INFEED BOOK GUIDE	1
7	59205	ROLLER ASSEMBLY	1
8	59207	INFEED BOTTOM COVER	1
9	E-519	CONDUIT LOCKNUT	1
10	E-530-15	CARRIER- FUSE (METRIC)	1
11	E-709-R	WIRE - #18 GA. RED	12in
12	E-1165-7	BRAKE	1
13	E-1214-65	CONN. - 1/4" FULLY INS. Q.D.	2
14	E-1214-8	CONNECTOR - #10-RING	2
15	E-1600-163	GEAR MOTOR	1
16	E-2181-4	CAPACITOR	1
17	E-2196-8	HOLE PLUG	4
18	E-2330-12	FUSE - METRIC 8/10 AMP SB	1
19	E-2450-1	CABLE PIGTAIL- SPOOL MON	1
20	E-2626-4	TERMINAL STRIP (4P)	1
21	H-6910-102404SS	SCREW - #10-24 X 1/2 BUT. SS	6
22	H-6910-102410	SCREW - #10-24 X 1-1/4 BUT	2
23	H-6910-404SS	SCREW - 1/4-20 X 1/2 BUT. SS	2
24	H-6910-405	SCREW - 1/4-20 X 5/8 BUT HD	5
25	H-6915-103204	SCREW - #10-32 X 1/2 SOC HD	4
26	H-6918-102404	SCREW - #10-24 X 1/2 SOC HD	1
27	H-6918-44004	SCREW - #4-40 X 1/2 SOC HD	1
28	H-6918-63206	SCREW - #6-32 X 3/4 SOC HD	2
29	H-7321-4	WASHER - 1/4 SAE PLAIN	7
30	H-7321-#10	WASHER - #10 SAE PLAIN	4
31	H-7321-#4	WASHER - #4 SAE PLAIN	1
32	H-7324-#10	WASHER - #10 INT TOOTH	1
33	H-7324-#4	WASHER - #4 INT TOOTH	1
34	H-7327-8	WASHER - 1/4 MEDIUM LOCK	7
35	H-7327-#10	WASHER - #10 MEDIUM LOCK	4
36	S-1694	TYRAP	2
37	S-1781-112	LABEL	1
38	S-1781-42	LABEL - GROUND	1

 = APPLY REMOVEABLE THREAD-LOCK
 = APPLY PERMANENT THREAD-LOCK

PL 5.54 Std. Hand-Feed Elec. EE-3342

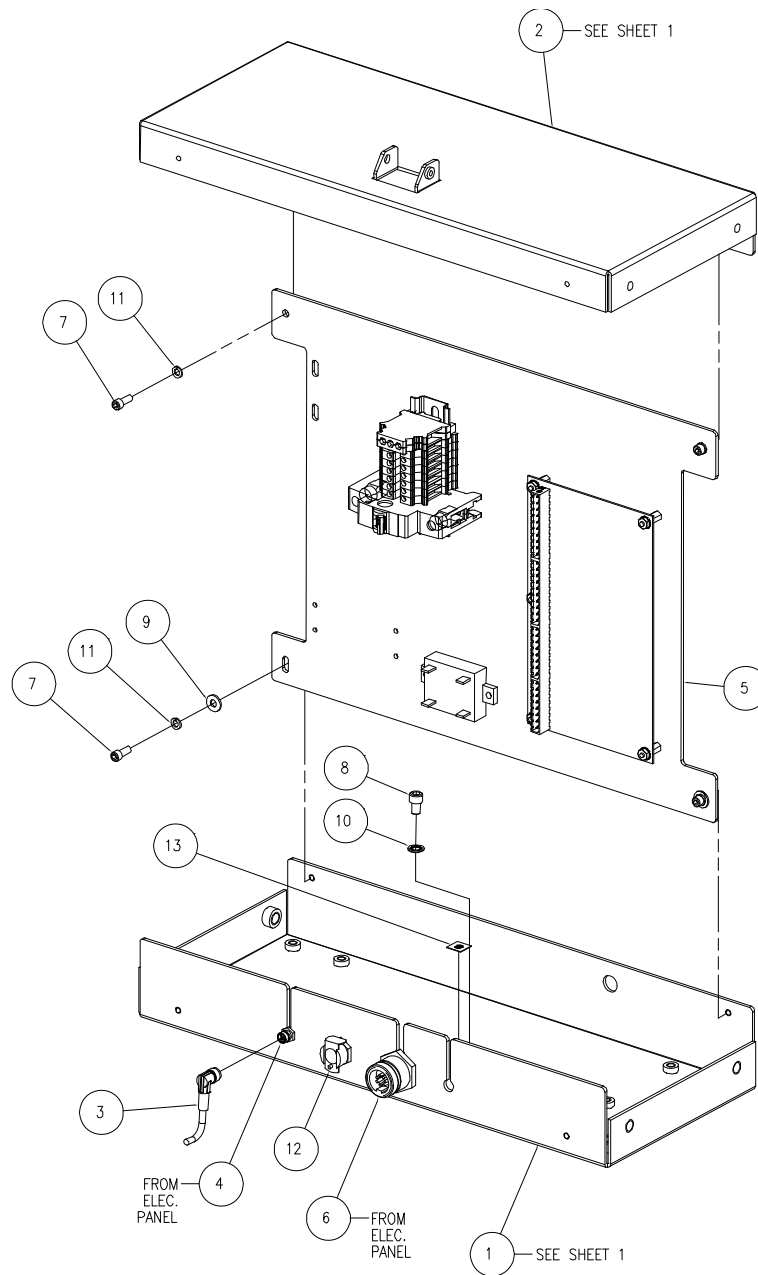


PL 5.55 Outfeed Stacker 5800TCA (1/9)



No.	Part Number	Description	Qty.
1	11288-35	WASHER/SPACER	4
2	51036	FOOT	4
3	56180	REFLECTIVE TAPE - 1" WIDE	1-1/2"
4	56456	THREADED ROD	4
5	56805	CASTER	4
6	58001	SIDE FRAME LH	1
7	58002	SIDE FRAME RH	1
8	58003	CROSS BRACKET	4
9	58004-1	LOWER CROSS BRACKET	2
10	58005	CROSS BRACKET	1
11	58006	CROSS BRACKET - ELEC PANEL	1
12	58012	BEARING BLOCK	2
13	58029-1	REFLECTOR BRACKET	1
14	58539	TIE BAR	1
15	EE-3541-5	PROX. ASM. - RLR STRT - (RS)	REF
16	H-6417-5	NUT - 5/16-18 HEX	4
17	H-6423-4	NUT - 1/4-20 HEX KEP	8
18	H-6424-8	NUT - 1/2-13 HEX JAM	4
19	H-6910-510	SCREW - 5/16-18 X 1-1/4 BUT HD	4
20	H-6918-102404	SCREW - #10-24 X 1/2 SOC HD	2
21	H-6918-405	SCREW - 1/4-20 X 5/8 SOC HD	8
22	H-6918-406	SCREW - 1/4-20 X 3/4 SOC HD	16
23	H-6918-506	SCREW - 5/16-18 X 3/4 SOC HD	26
24	H-6918-606	SCREW - 3/8-16 X 3/4 SOC HD	8
25	H-7327-10	WASHER - 5/16 MEDIUM LOCK	4
26	H-7327-8	WASHER - 1/4 MEDIUM LOCK	16
27	H-7327-#10	WASHER - #10 MEDIUM LOCK	2
28	H-7329-5	WASHER - 5/16 HIGH COL. LOCK	26
29	H-7329-6	WASHER - 3/8 HIGH COL. LOCK	8

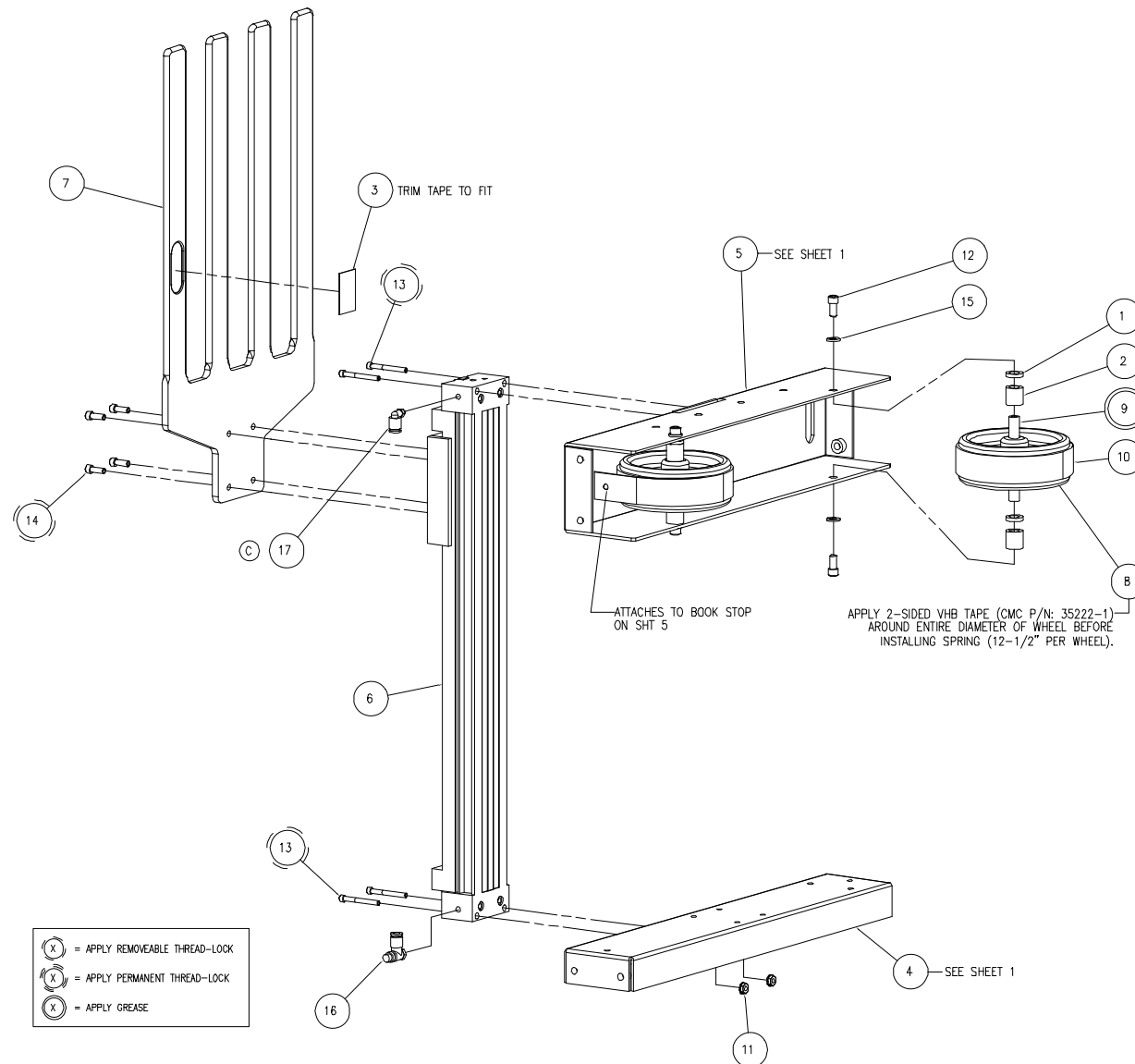
PL 5.56 Outfeed Stacker 58000TCA (2/9)



No.	Part Number	Description	Qty.
1	58004-1	LOWER CROSS BRACKET	REF
2	58006	CROSS BRKT - ELEC PANEL	REF
3	E-3505-1	'CAN' CABLE JUMPER	1
4	EE-3460-3	PLUG ASM. - MALE, 'CAN'	REF
5	EE-3518	ELECTRICAL PANEL ASM.	1
6	EE-3550	PLUG ASM. - POWER IN	REF
7	H-6918-102404	SCREW - #10-24 X 1/2 SOC HD	4
8	H-6918-403	SCREW - 1/4-20 X 3/8 SOC HD	1
9	H-7321-#10	WASHER - #10 SAE PLAIN	2
10	H-7324-8	WASHER - 1/4 INT TOOTH	1
11	H-7327-#10	WASHER - #10 MEDIUM LOCK	4
12	P-515	PUSH-IN CONN. (1/4 FEM)	1
13	S-1781-42	LABEL - GROUND	1

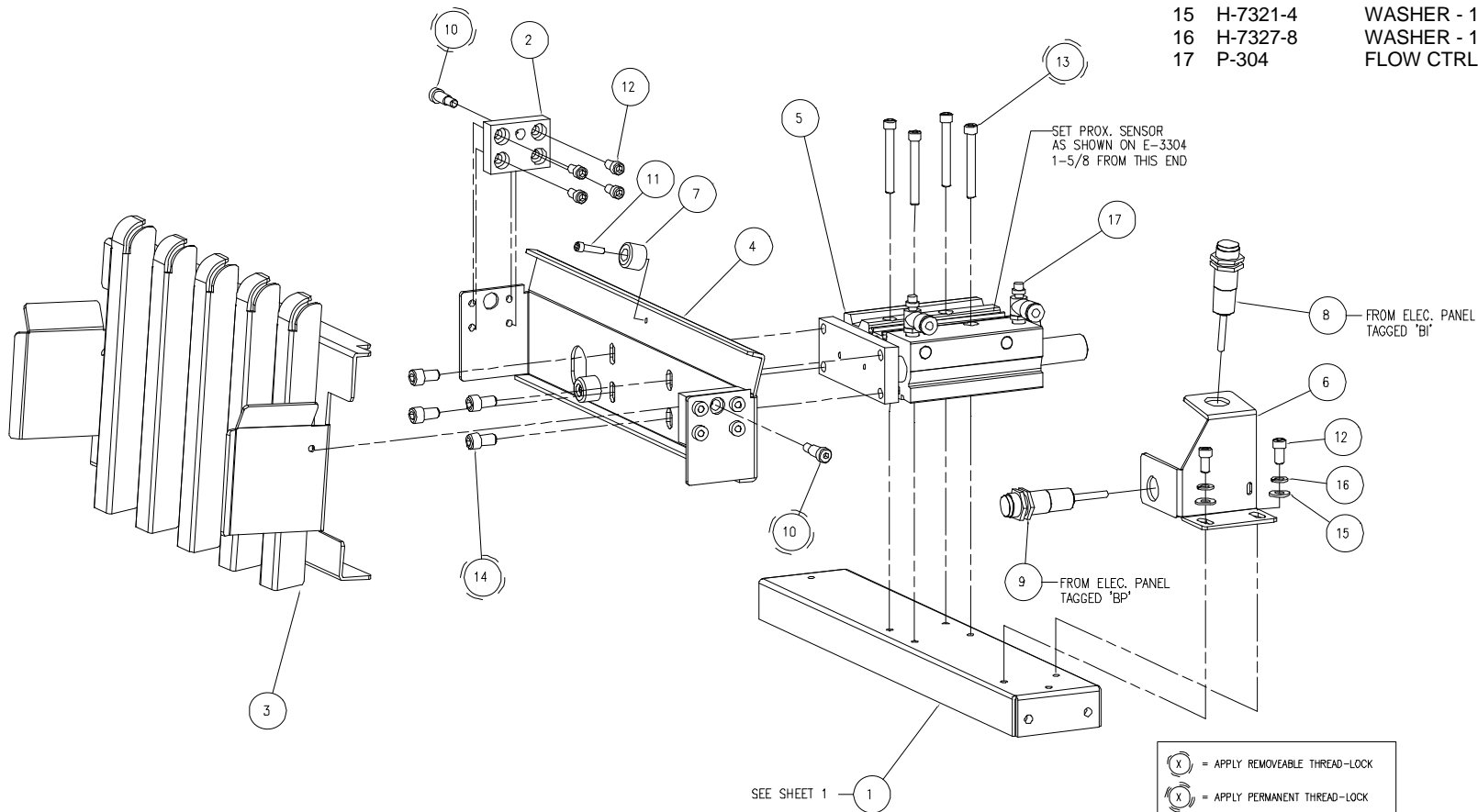
PL 5.57 Outfeed Stacker 58000TCA (3/9)

No.	Part Number	Description	Qty.
1	11288-32	WASHER/SPACER	4
2	11288-34	WASHER/SPACER	4
3	56180	REFLECTIVE TAPE - 1" WIDE	1-1/2"
4	58003	CROSS BRACKET	REF
5	58005	CROSS BRACKET	REF
6	58026	AIR CYLINDER - RODLESS	1
7	58027	FINGERED BOOK STOP PLATE	1
8	58037	WHEEL	2
9	58038	AXLE	2
10	58039	CONSTANT FORCE SPRING	2
11	H-6423-#8	NUT - #8-32 HEX KEP	2
12	H-6918-404	SCREW - 1/4-20 X 1/2 SOC HD	4
13	H-6918-83212	SCREW - #8-32 X 1-1/2 SOC HD	4
14	H-6918-M514	SCREW - M5 X 14MM SOC HD	4
15	H-7327-8	WASHER - 1/4 MEDIUM LOCK	4
16	P-304-1	FLOW CTRL ELB-1/4 T X #10-32	1
17	P-503-41032	ELBOW-1/4 TUBE X #10-32	1



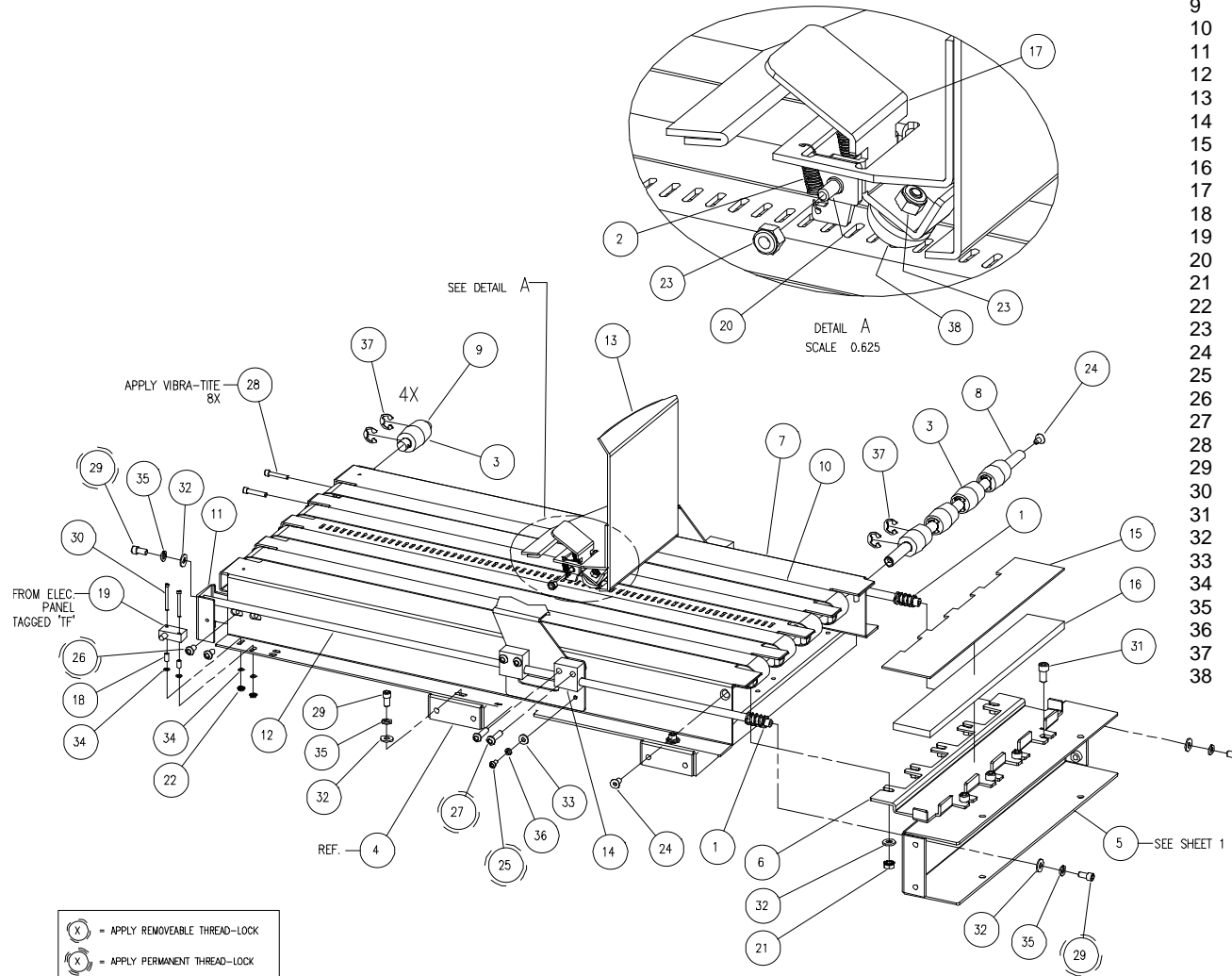
PL 5.58 Outfeed Stacker 58000TCA (4/9)

No.	Part Number	Description	Qty.
1	58003	CROSS BRACKET	REF
2	58012	BEARING BLOCK	2
3	58020	BOOK PUSHER WELDMNT	1
4	58023	CYLINDER BRACKET	1
5	58024	GUIDED AIR CYLINDER	1
6	58067	SENSOR BRACKET	1
7	A-11074	FOOT - RUBBER	2
8	EE-3541-3	PROX. ASM - BOOK IN - 'BI'	REF
9	EE-3541-4	PROX. ASM - @ PUSHER - 'BP'	REF
10	H-5254-505	SCREW - 5/16 X 5/8 SHSS	2
11	H-6918-102406	SCREW - #10-24 X 3/4 SOC HD	2
12	H-6918-404	SCREW - 1/4-20 X 1/2 SOC HD	10
13	H-6918-416	SCREW - 1/4-20 X 2 SOC HD	4
14	H-6918-M814	SCREW - M8 X 14MM SOC HD	4
15	H-7321-4	WASHER - 1/4 SAE PLAIN	2
16	H-7327-8	WASHER - 1/4 MEDIUM LOCK	2
17	P-304	FLOW CTRL ELB-1/4 T X 1/8 NPT	2

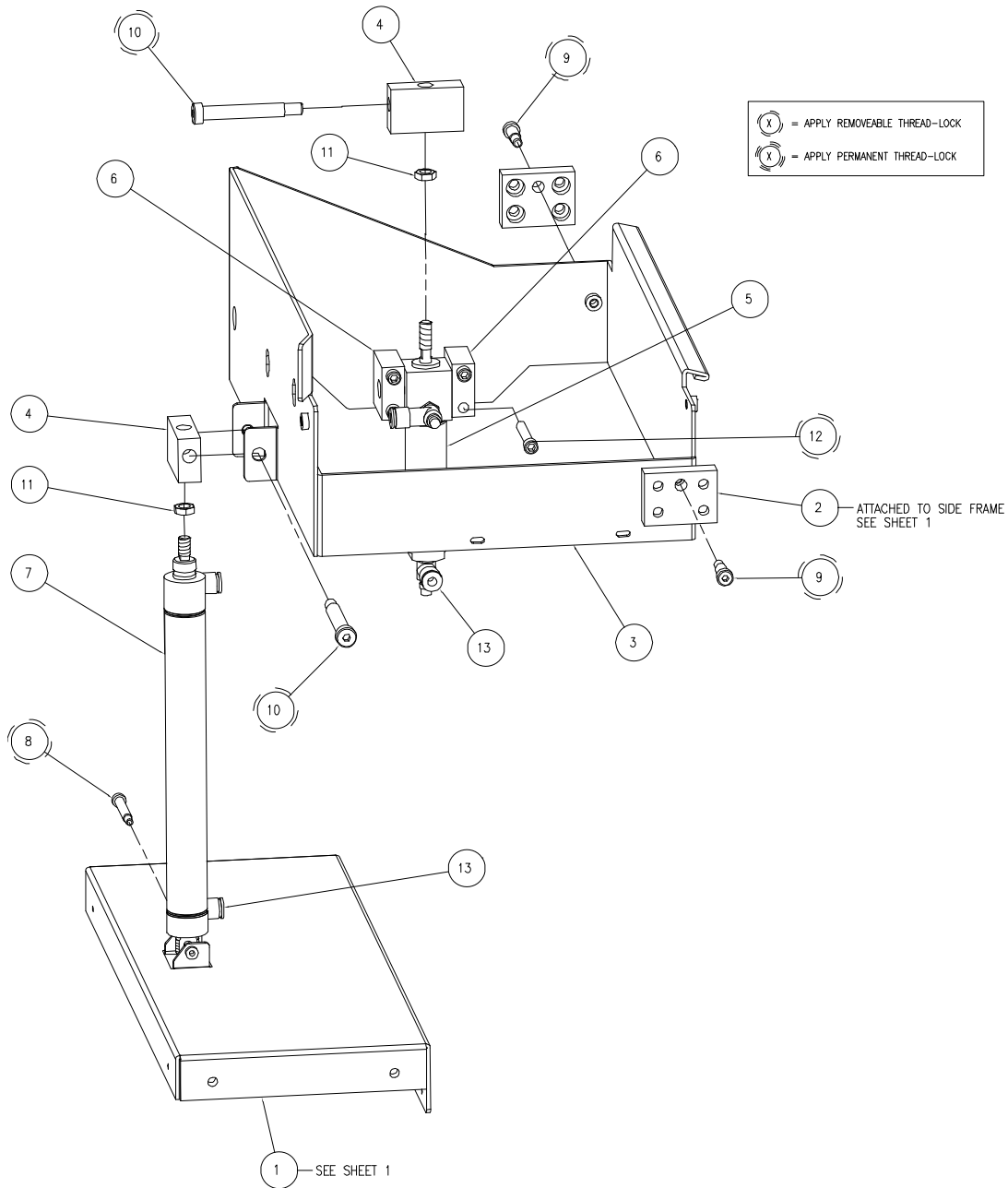


PL 5.59 Outfeed Stacker 58000TCA (5/9)

No.	Part Number	Description	Qty.
1	35048-23	SPRING	2
2	47136-19	SPRING	2
3	56669	PULLEY	8
4	58003	CROSS BRACKET	REF
5	58005	CROSS BRACKET	REF
6	58025	TRAY MOUNTING BRACKET	1
7	58028	TRAY	1
8	58030	AXLE	1
9	58031	AXLE	4
10	58032	ENDLESS BELT	4
11	58033	GUIDE ROD BRACKET	2
12	58034	TRANSPORT GUIDE ROD	2
13	58035-1	WELDMENT - BOOK STOP	1
14	58036	BEARING BLOCK	4
15	58062	PAD WITH ADHESIVE	1
16	58063	RUBBER PAD	1
17	58070	LATCH LEVER	1
18	E-1152-78	STANDOFF	2
19	EE-2952-9	PROX. ASM. - TRAY FULL	REF
20	H-5254-412	SCREW - 1/4 X 1-1/2 SHSS	1
21	H-6423-4	NUT - 1/4-20 HEX KEP	5
22	H-6423-#4	NUT - #4-40 HEX KEP	2
23	H-6442-#10	NUT - #10-24 NYLOC	2
24	H-6909-404	SCREW - 1/4-20 X 1/2" FLT HD	2
25	H-6910-102403	SCREW - #10-24 X 3/8 BUT HD	2
26	H-6910-404	SCREW - 1/4-20 X 1/2 BUT HD	4
27	H-6910-408	SCREW - 1/4-20 X 1 BUT HD	8
28	H-6918-102408	SCREW - #10-24 X 1 SOC HD	8
29	H-6918-404	SCREW - 1/4-20 X 1/2 SOC HD	8
30	H-6918-44010	SCREW - #4-40 X 1-1/4 SOC HD	2
31	H-6918-505	SCREW - 5/16-18 X 5/8 SOC HD	4
32	H-7321-4	WASHER - 1/4 SAE PLAIN	13
33	H-7321-#10	WASHER - #10 SAE PLAIN	2
34	H-7321-#4	WASHER - #4 SAE PLAIN	4
35	H-7327-8	WASHER - 1/4 MEDIUM LOCK	8
36	H-7327-#10	WASHER - #10 MEDIUM LOCK	2
37	S-1193-50	E-RING - 1/2"	16
38	S-1756-1	FOOT - RUBBER	1

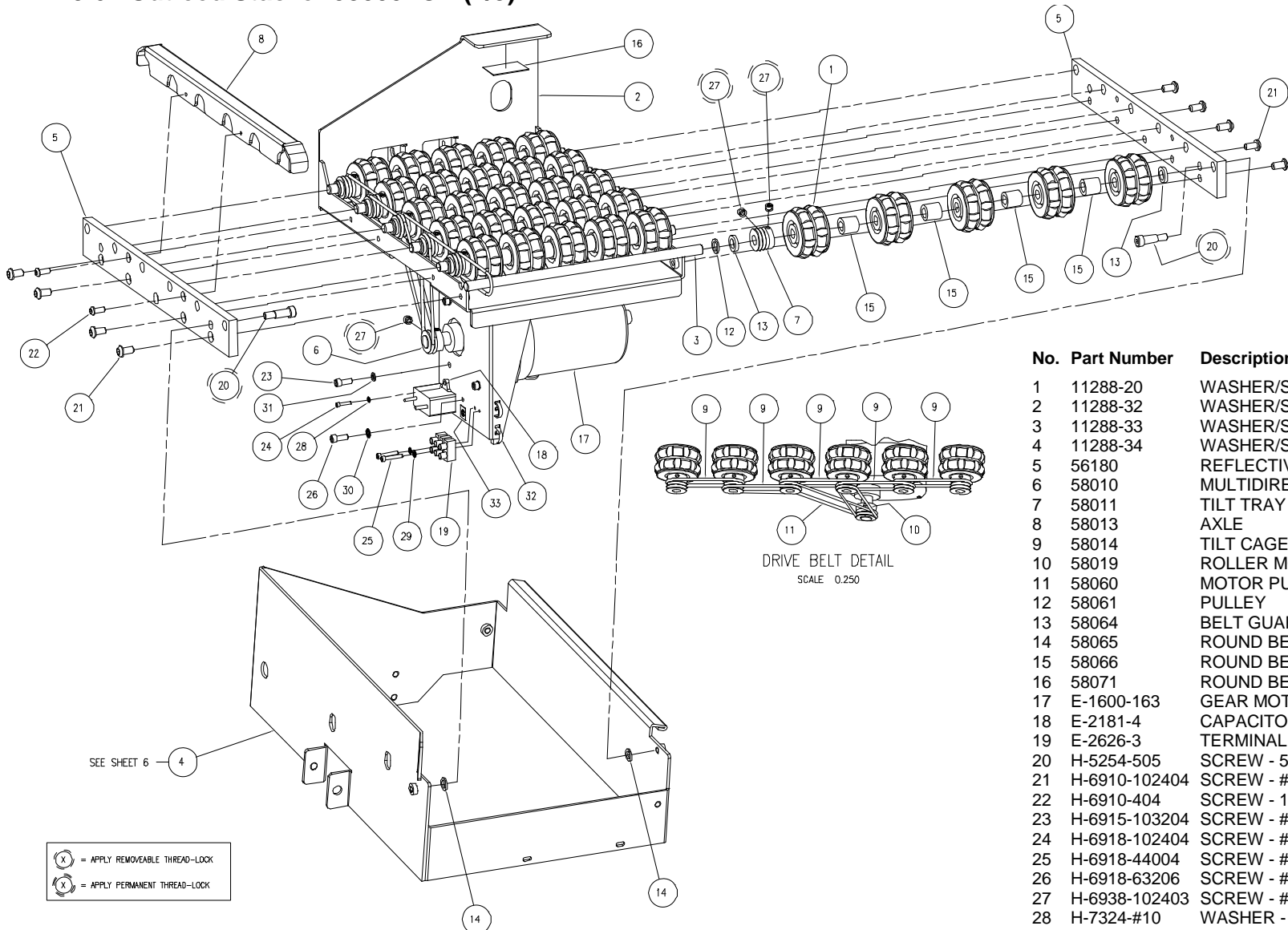


PL 5.60 Outfeed Stacker 5800TCA (6/9)



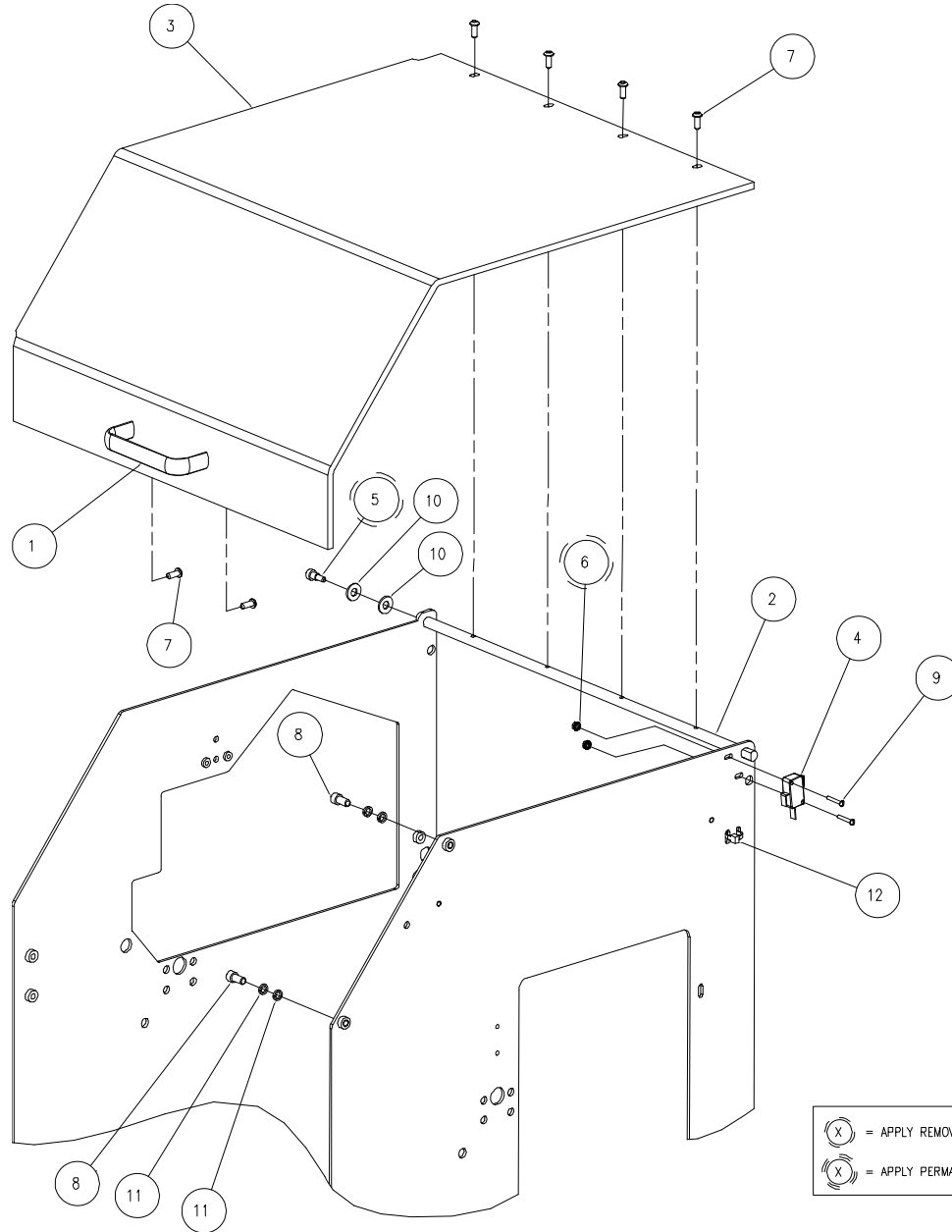
No.	Part Number	Description	Qty.
1	58006	CROSS BRCKT - ELEC PANEL	REF
2	58012	BEARING BLOCK	REF
3	58014	TILT CAGE	1
4	58015	CYLINDER END BLOCK	2
5	58016	AIR CYLINDER - TRUNNION TYPE	1
6	58017	BEARING BLOCK	2
7	58018	AIR CYLINDER	1
8	H-5254-412	SCREW - 1/4 X 1-1/2 SHSS	1
9	H-5254-505	SCREW - 5/16 X 5/8 SHSS	2
10	H-5254-618	SCREW - 3/8 X 2-1/4 SHSS	2
11	H-6428-5	NUT - 5/16-24 HEX JAM	2
12	H-6918-414	SCREW - 1/4-20 X 1-3/4 SOC HD	4
13	P-304	FLOW CTRL ELB-1/4 T X 1/8 NPT	4

PL 5.61 Outfeed Stacker 58000TCA (7/9)

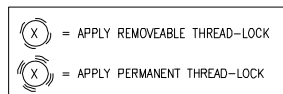


No.	Part Number	Description	Qty.
1	11288-20	WASHER/SPACER	6
2	11288-32	WASHER/SPACER	12
3	11288-33	WASHER/SPACER	2
4	11288-34	WASHER/SPACER	24
5	56180	REFLECTIVE TAPE - 1" WIDE 1-1/2"	
6	58010	MULTIDIRECTIONAL ROLLER	30
7	58011	TILT TRAY	1
8	58013	AXLE	6
9	58014	TILT CAGE	REF
10	58019	ROLLER MOUNTING BLOCK	2
11	58060	MOTOR PULLEY	1
12	58061	PULLEY	6
13	58064	BELT GUARD	1
14	58065	ROUND BELT - ROLLER DRIVE	5
15	58066	ROUND BELT - MOTOR (SHORT)	1
16	58071	ROUND BELT - MOTOR (LONG)	1
17	E-1600-163	GEAR MOTOR	1
18	E-2181-4	CAPACITOR	1
19	E-2626-3	TERMINAL STRIP (3P)	1
20	H-5254-505	SCREW - 5/16 X 5/8 SHSS	2
21	H-6910-102404	SCREW - #10-24 X 1/2 BUT HD	2
22	H-6910-404	SCREW - 1/4-20 X 1/2 BUT HD	9
23	H-6915-103204	SCREW - #10-32 X 1/2 SOC HD	4
24	H-6918-102404	SCREW - #10-24 X 1/2 SOC HD	1
25	H-6918-44004	SCREW - #4-40 X 1/2 SOC HD	1
26	H-6918-63206	SCREW - #6-32 X 3/4 SOC HD	2
27	H-6938-102403	SCREW - #10-24 X 3/16 CUP SET	14
28	H-7324-#10	WASHER - #10 INT TOOTH	1
29	H-7324-#4	WASHER - #4 INT TOOTH	1
30	H-7324-#6	WASHER - #6 INT TOOTH	2
31	H-7327-#10	WASHER - #10 MEDIUM LOCK	4
32	S-1694	TYRAP	2
33	S-1781-42	LABEL - GROUND	1

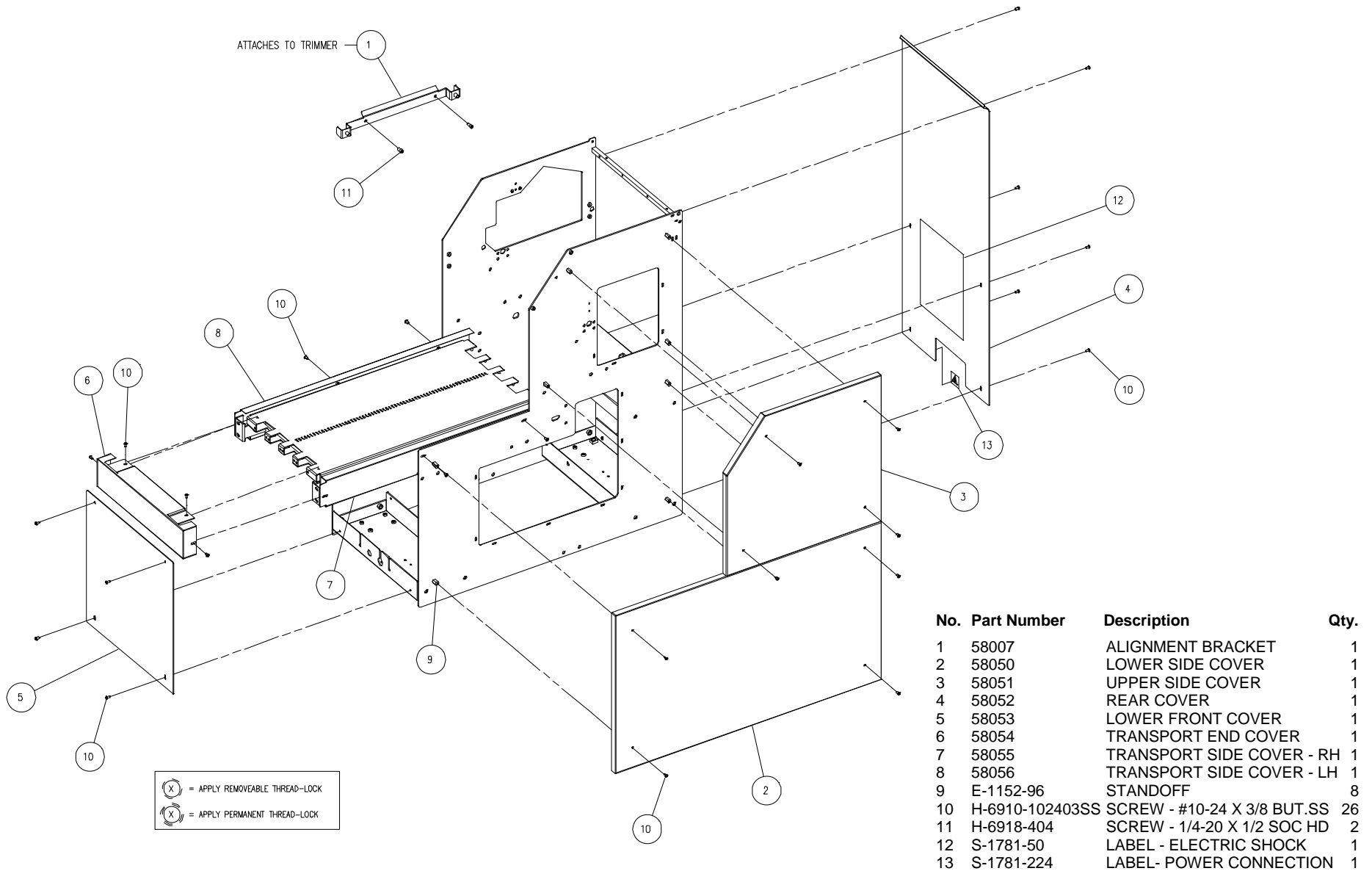
PL 5.62 Outfeed Stacker 58000TCA (8/9)



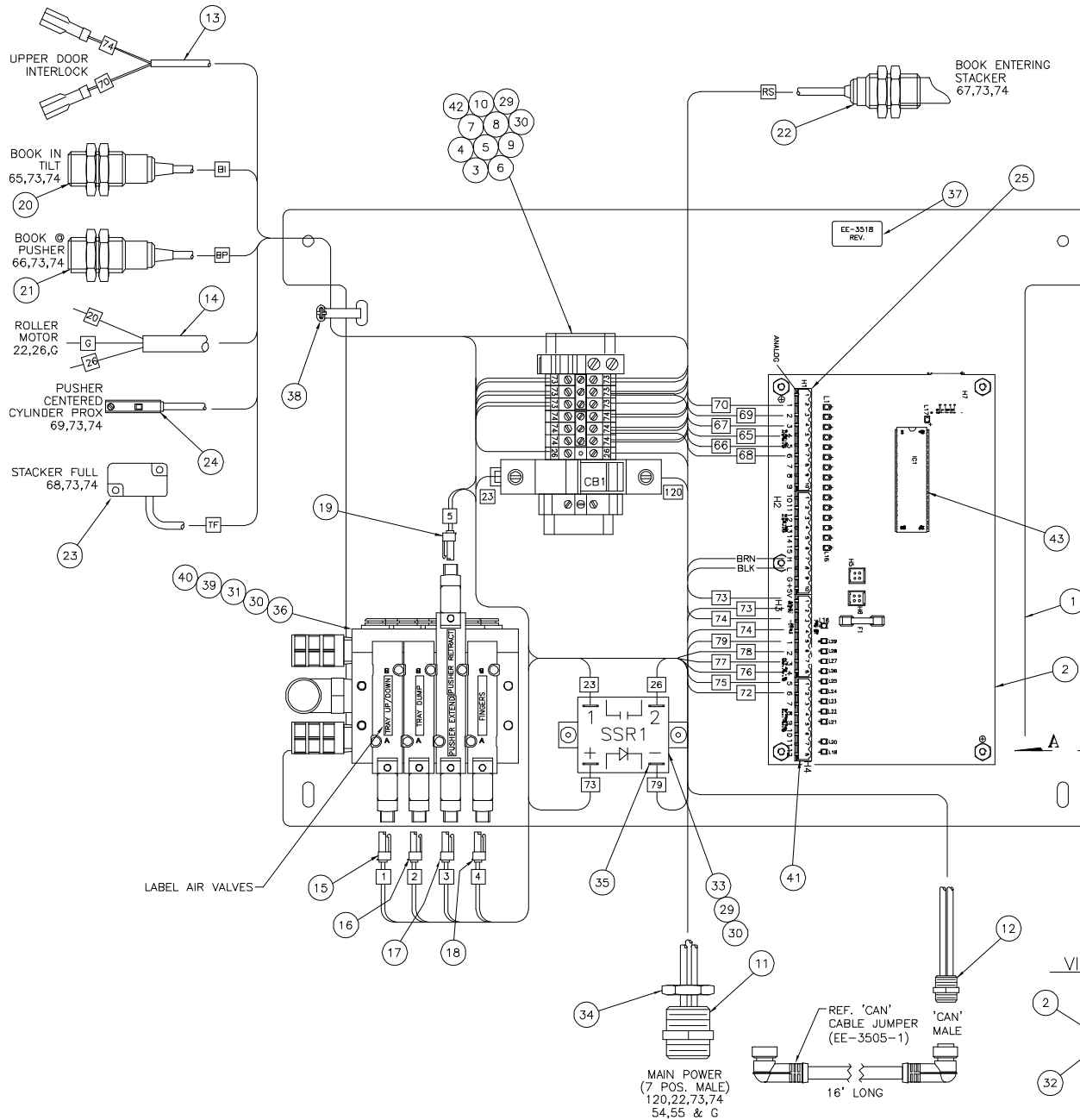
No.	Part Number	Description	Qty.
1	13940-1	HANDLE	1
2	58040	DOOR HINGE ROD	1
3	58041	TOP COVER	1
4	E-866-9	POS. ACTION MICROSWITCH	1
5	H-5254-402	SCREW - 1/4 X 1/4 SHSS	1
6	H-6423-#4	NUT - #4-40 HEX KEP	2
7	H-6910-102404SS	SCREW - #10-24 X 1/2 BUT. SS	6
8	H-6918-404	SCREW - 1/4-20 X 1/2 SOC HD	2
9	H-6923-44012	SCREW - #4-40 X 3/4 RND HD	2
10	H-7321-4	WASHER - 1/4 SAE PLAIN	2
11	H-7329-4	WASHER - 1/4 HIGH COL LOCK	4
12	S-1694	TYRAP	1



PL 5.63 Outfeed Stacker 58000TCA (9/9)



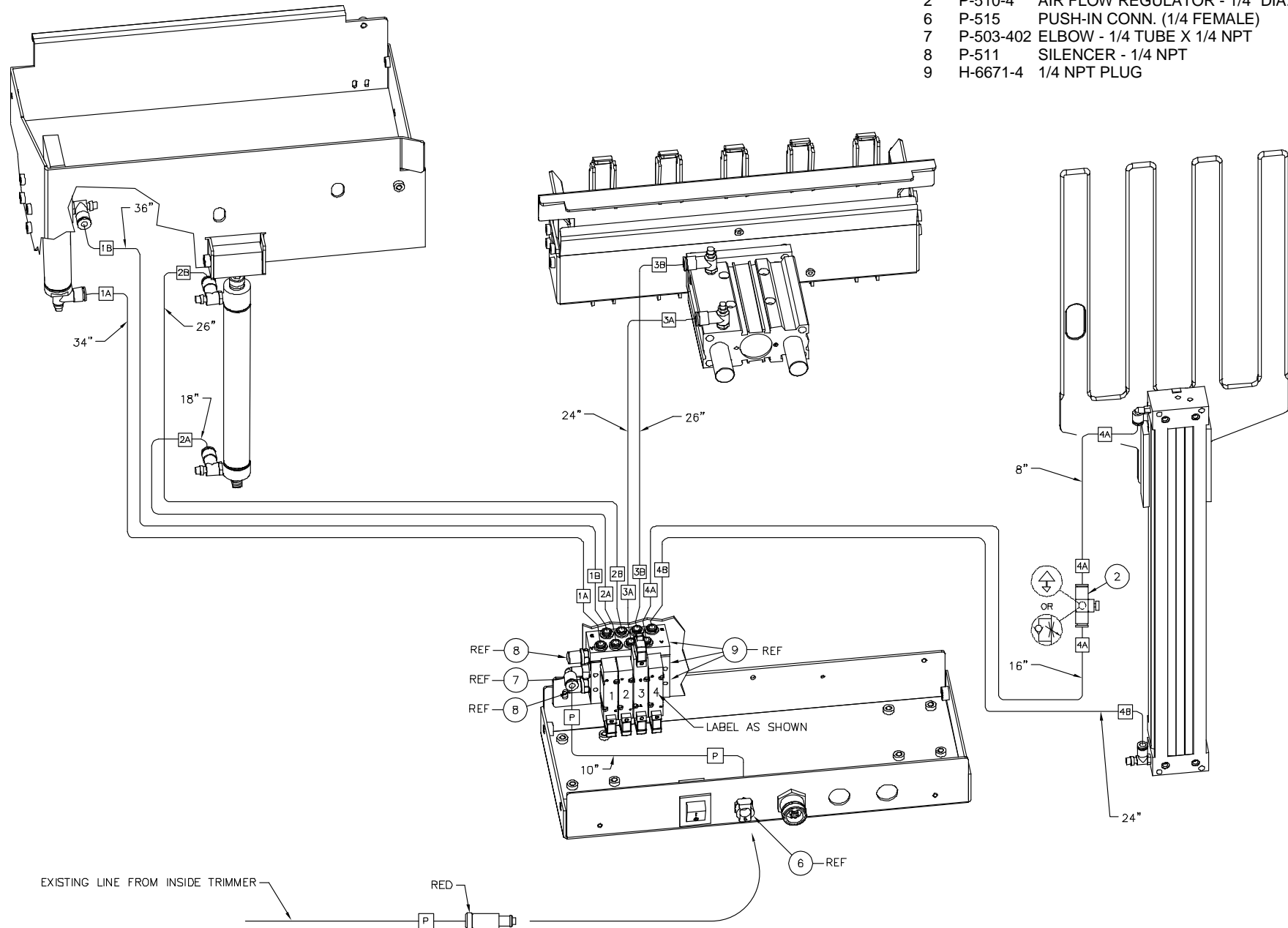
PL 5.64 Stacker Elec. Panel EE-3518



No.	Part Number	Description	Qty.
1	58009-1	PANEL - ELECTRICAL	1
2	EE-3508-1	PC ASSEMBLY - I/O,TC	1
3	E-2068-8	TERMINAL BLOCK - #10 AWG	7
4	E-1977-26	TERMINAL RAIL - 4" LONG	1
5	E-1453-6	SHRINK TUBING - 1" LONG	2
6	E-2507-3	FIXED BRIDGE - 3 POLE	2
7	E-2070-1	END BRACKET	1
8	E-1356-()	MARKING STRIP	1
9	E-2864	PLATE - SEPERATOR	1
10	E-3264-2	CIRCUIT BREAKER - 1.6A (CB1)	1
11	EE-3550	PIGTAIL ASM. - 7 POS.	1
12	EE-3460-5	PIGTAIL ASM. - 3 POS. "CAN"	1
13	EE-3540	CABLE ASM - UPPER DOOR INT.	1
14	EE-2949-7	CABLE ASM - ROLLER MOTOR	1
15	EE-3531-15	PLUG ASM. - AIR,TRAY LIFT (#1)	1
16	EE-3531-16	PLUG ASM. - AIR, TRAY DUMP (#2)	1
17	EE-3531-17	PLUG ASM. - AIR, PSH'R OUT (#3)	1
18	EE-3531-18	PLUG ASM. - AIR, FING'S DN (#4)	1
19	EE-3531-19	PLUG ASM. - AIR, PUSHER IN (#5)	1
20	EE-3541-3	SW. ASM. - BOOK IN TILT "BI"	1
21	EE-3541-4	SW. ASM. - BOOK @ PUSHER "BP"	1
22	EE-3541-5	SW. ASM. - BOOK ENT. STACKER	1
23	EE-2952-18	PROX. ASM. - TRAY FULL "TF"	1
24	EE-2397-5	PROX. ASM. - PSH'R CEN. (NPN)	1
25	E-2066-10	CONNECTOR - 10 POS PLUG-IN	2
26	E-709-R	WIRE - #18GA. RED (49" TOTAL)	1
27	E-1152-56	STAND-OFF - 1/2" LONG	5
28	H-6910-63203	SCREW, #6-32NC X 3/8" BUT HD	5
29	H-6910-83203	SCREW, #8-32NC X 3/8" BUT HD	4
30	H-7324-#8	WASHER, #8 INT. TOOTHLOCK	6
31	H-6910-83212	SCREW, #8-32NC X 1-3/4" BUT HD	4
32	H-6423-#6	NUT - #6-32 HEX (KEP)	5
33	E-2064-2	RELAY - SOLID STATE	1
34	E-519	NUT - CONDUIT LOCK	1
35	E-1214-65	CONN. - 1/4" FULLY INS. Q.D.	3
36	58008	MANIFOLD ASSEMBLY	1
37	E-1584-()	LABEL - ASM. NO./REV. LEVEL	1
38	S-1694	TYRAP - WIRE	1
39	P-511	SILENCER - 1/4" NPT	2
40	P-503-402	ELBOW - 1/4" TUBE TO 1/4" NPT	1
41	E-2066-8	CONN. - 8 POS PLUG-IN PCB	2
42	E-2068-3	TERMINAL BLOCK - GROUNDING	1
43	EE-1888-28	IC - PROG'D, STACKER TC	1

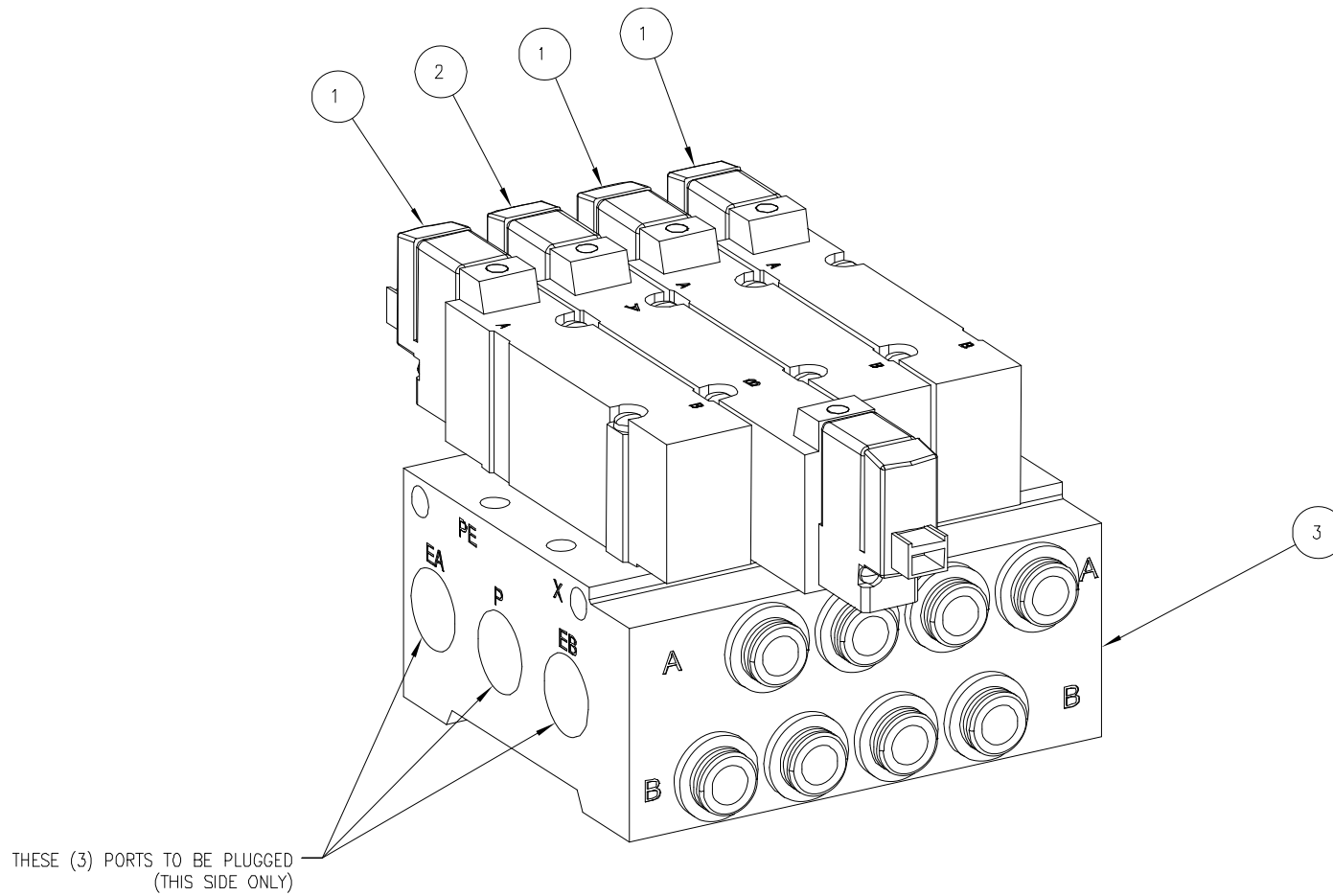
PL 5.65 Stacker Pneumatics 58000TCA-P

No.	Part No.	Description	Qty.
1	P-303	1/4" O.D. P.E. TUBING (SOLID BLUE)	-
2	P-510-4	AIR FLOW REGULATOR - 1/4" DIA.	1
6	P-515	PUSH-IN CONN. (1/4 FEMALE)	REF.
7	P-503-402	ELBOW - 1/4 TUBE X 1/4 NPT	REF.
8	P-511	SILENCER - 1/4 NPT	REF.
9	H-6671-4	1/4 NPT PLUG	REF.

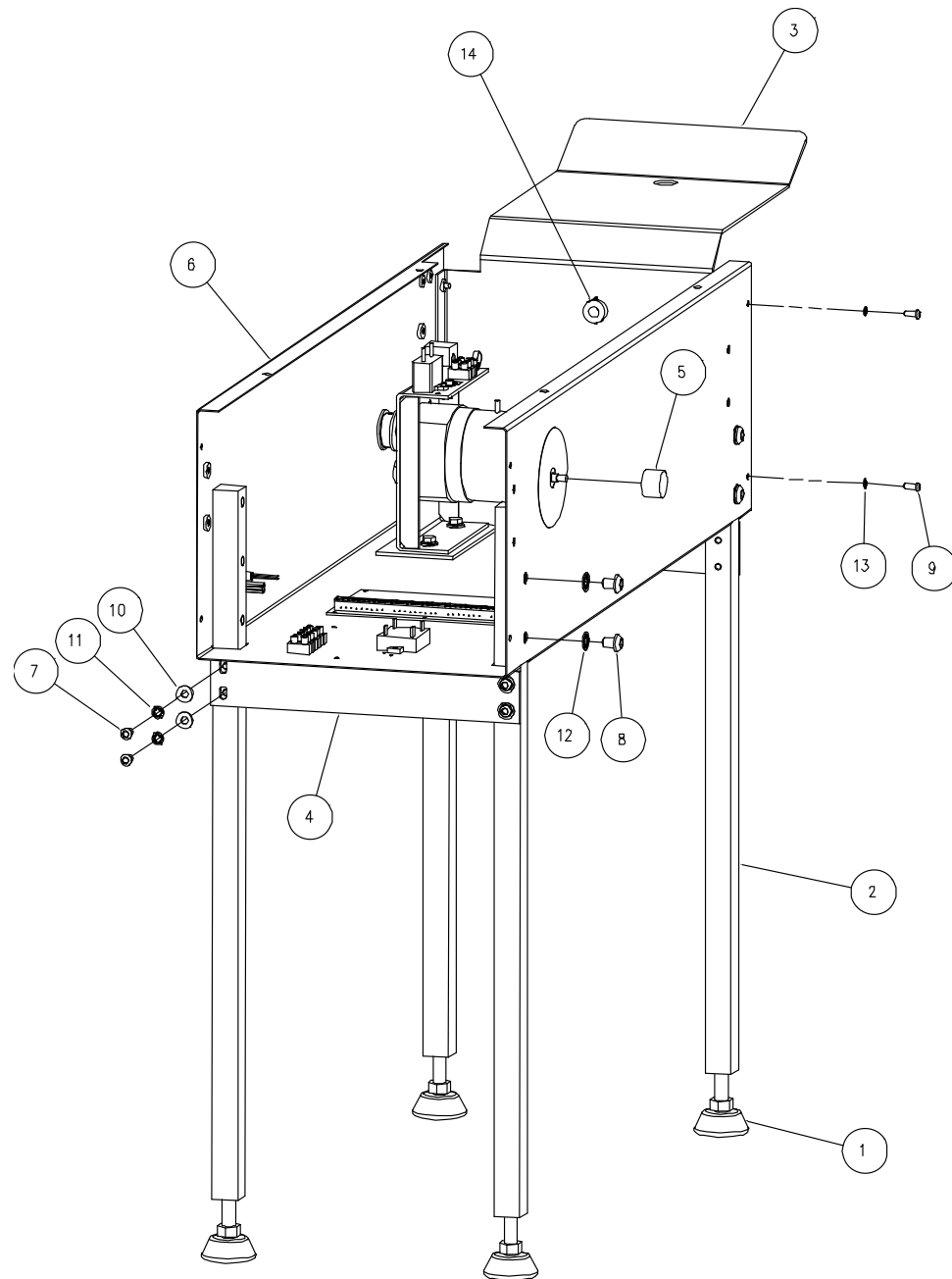


PL 5.66 Stacker Air Manifold 58008

No.	Part No.	Description	Qty.
1	56009	VALVE - 2 POSITION	3
2	56011-1	VALVE - 3 POS. CLOSED CENTER	1
3	58008-M	MANIFOLD - BAR STOCK TYPE	1



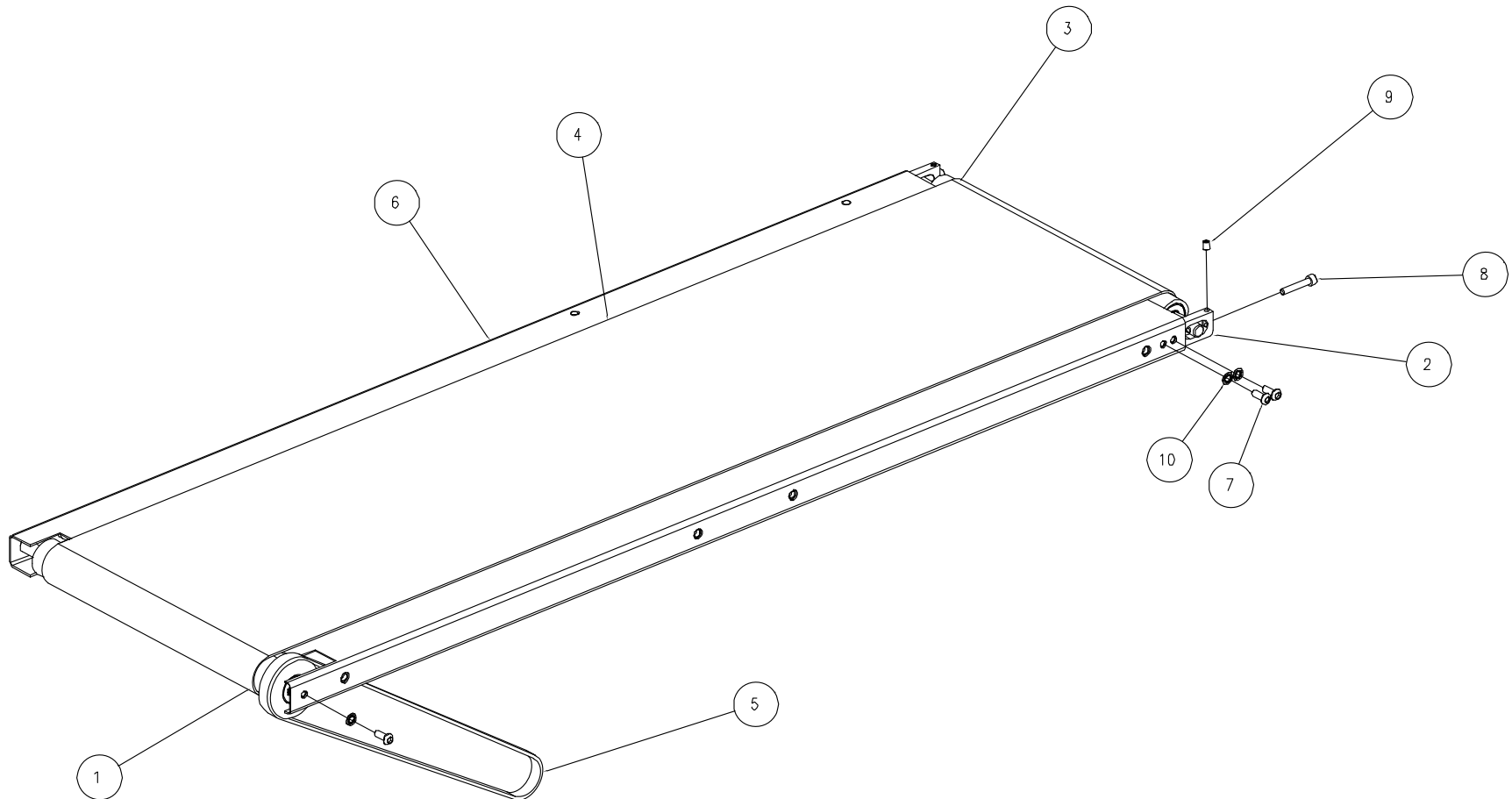
PL 5.67 Exit Conv. 56420TCA (1/3)



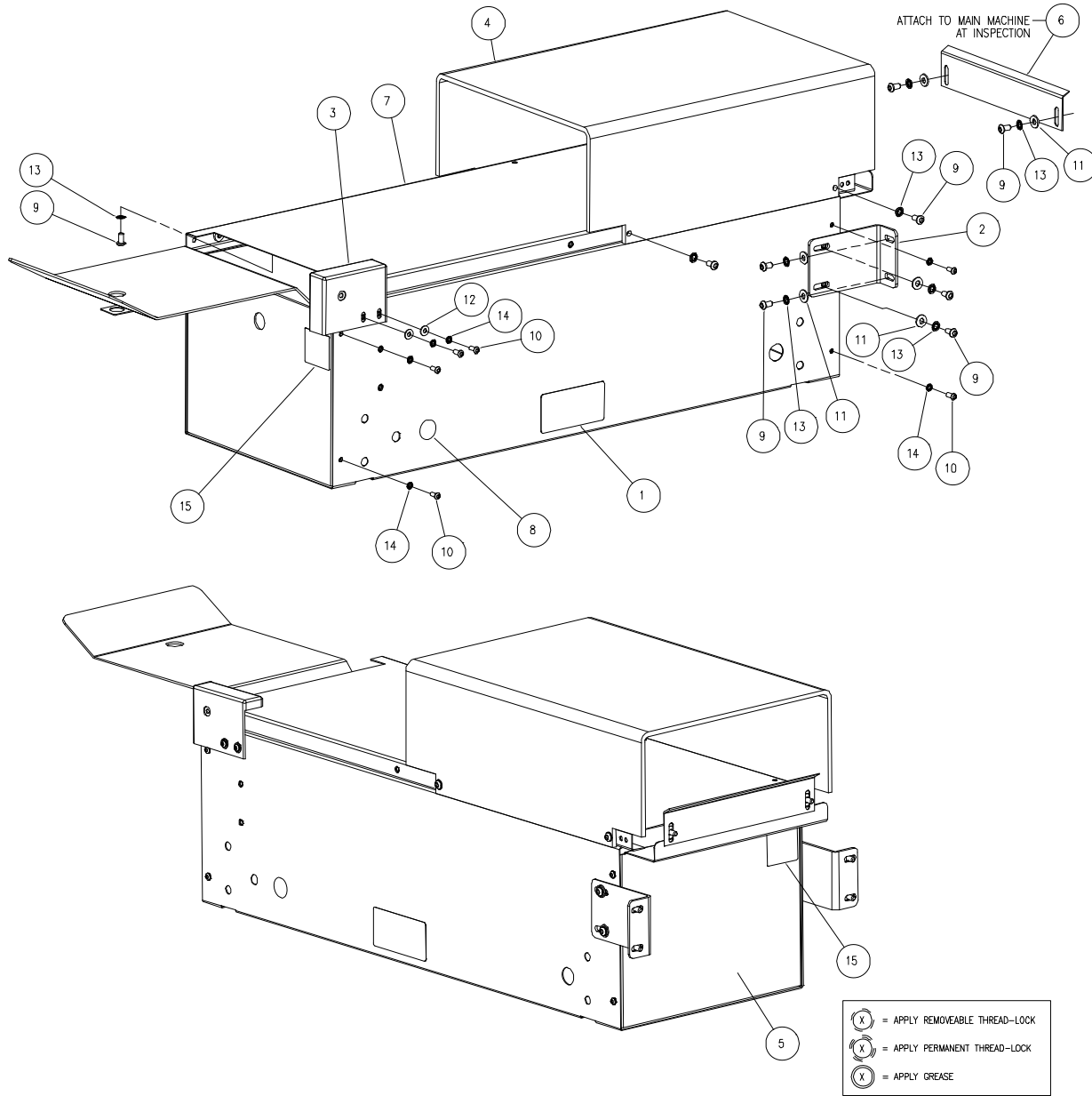
No.	Part Number	Description	Qty.
1	56410	LEVELING PAD	4
2	56419	LEG	4
3	56434	TRAY WELDMENT	1
4	56463	LEG BRACE	2
5	35126-4	KNOB	1
6	EE-3566	CASE ASM. W/ ELEC. COMP'S.	1
7	H-6910-404	SCREW - 1/4-20 X 1/2 BUT HD	8
8	H-6910-604	SCREW - 3/8-16 X 1/2 BUT HD	8
9	H-6910-102404	SCREW - #10-24 X 1/2 BUT HD	4
10	H-7321-4	WASHER - 1/4 SAE PLAIN	8
11	H-7324-8	WASHER - 1/4 INT TOOTH	8
12	H-7324-12	WASHER - 3/8 INT TOOTH	8
13	H-7324-#10	WASHER - #10 INT TOOTH	4
14	S-1350-16	STRAIN RELIEF BUSHING	1

PL 5.68 Exit Conv. 56420TCA (2/3)

No.	Part Number	Description	Qty.
1	56404	DRIVE ASM	1
2	56405	TENSIONER BLOCK	2
3	56406	IDLER ASM	1
4	56544	ENDLESS BELT- EXT. CONV.	1
5	56564	TIMING BELT- 250XL037	1
6	56426-1	FRAME	1
7	H-6910-102404	SCREW - #10-24 X 1/2 BUT HD	6
8	H-6918-102408	SCREW - #10-24 X 1 SOC HD	2
9	H-6938-102404	SCREW - #10-24 X 1/4 CUP SET	2
10	H-7324-#10	WASHER - #10 INT TOOTH	6

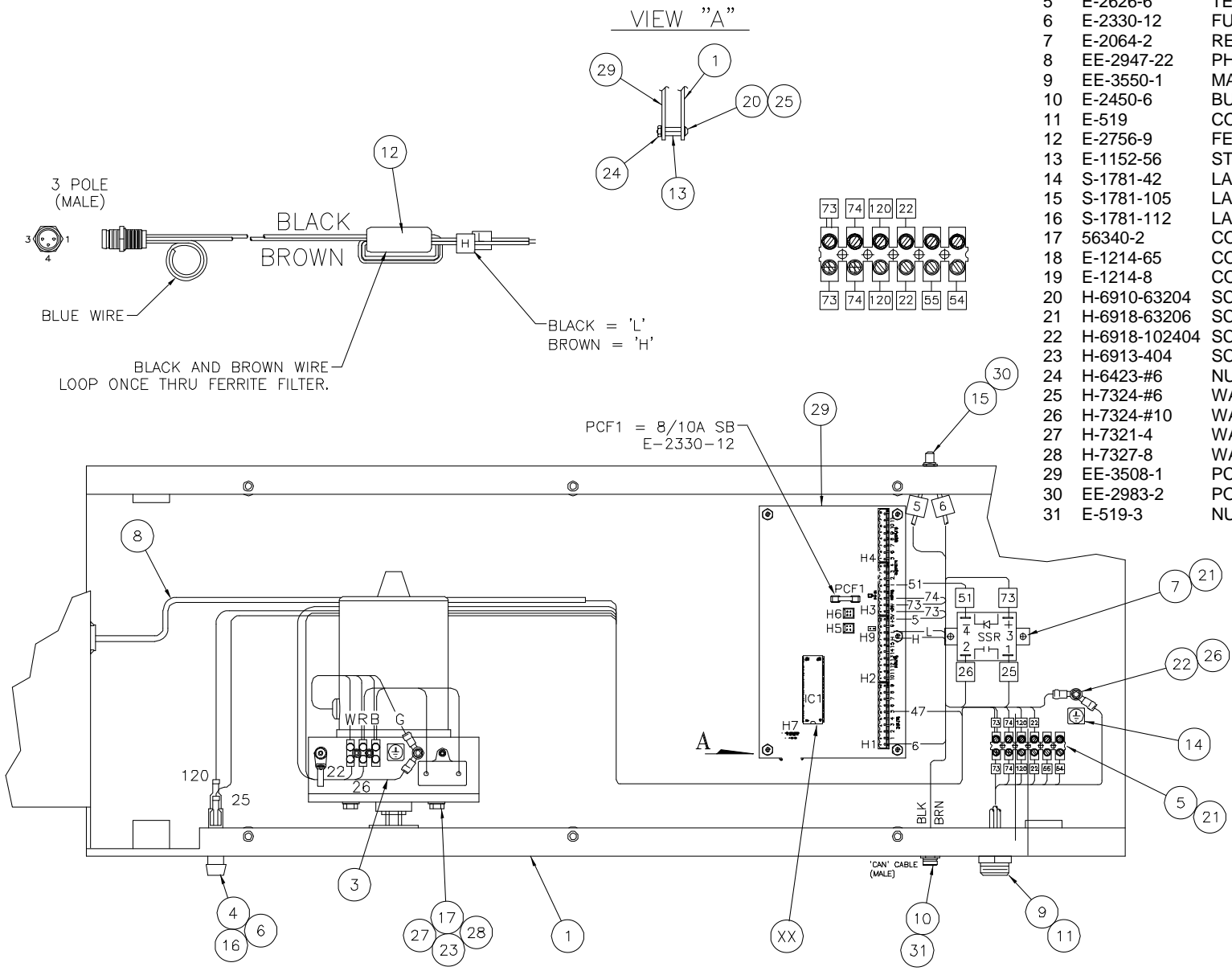


PL 5.69 Exit Conv. 56420TCA (3/3)



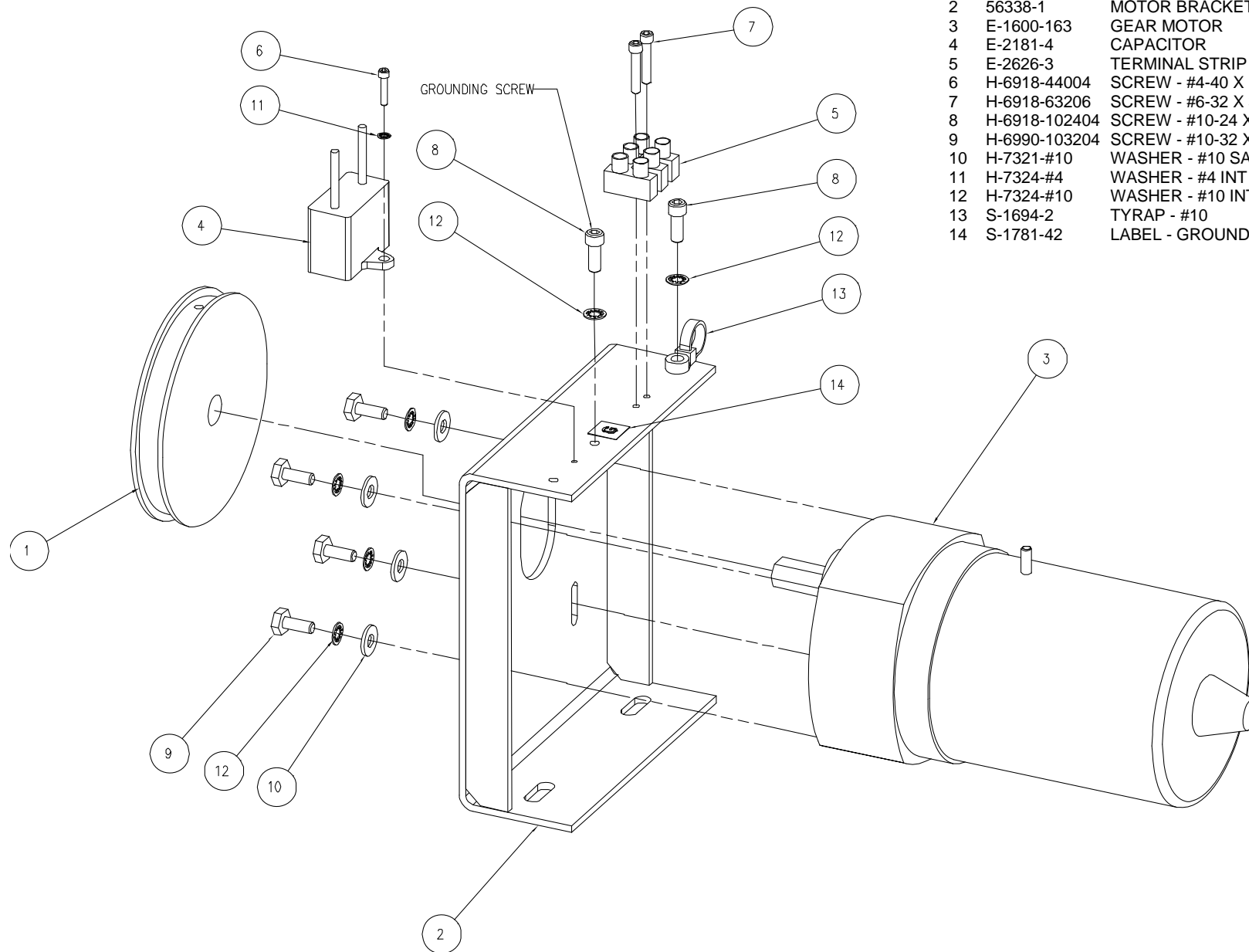
No.	Part Number	Description	Qty.
1	14050	SERIAL PLATE	1
2	56416	CONVEYOR MOUNT BRACKET	2
3	56465	PULLEY COVER	1
4	56467	CONVEYOR COVER	1
5	56479	END COVER	1
6	56503	ROLLER COVER	1
7	56426-1	FRAME	1
8	E-2196-11	HOLE PLUG	1
9	H-6910-404	SCREW - 1/4-20 X 1/2 BUT HD	18
10	H-6910-102404	SCREW - #10-24 X 1/2 BUT HD	10
11	H-7321-4	WASHER - 1/4 SAE PLAIN	10
12	H-7321-#10	WASHER - #10 SAE PLAIN	2
13	H-7324-8	WASHER - 1/4 INT TOOTH	18
14	H-7324-#10	WASHER - #10 INT TOOTH	10
15	S-1781-35	LABEL- ELEC. DANGER (EURO)	2

PL 5.70 Exit Conv. Elec. Panel EE-3566



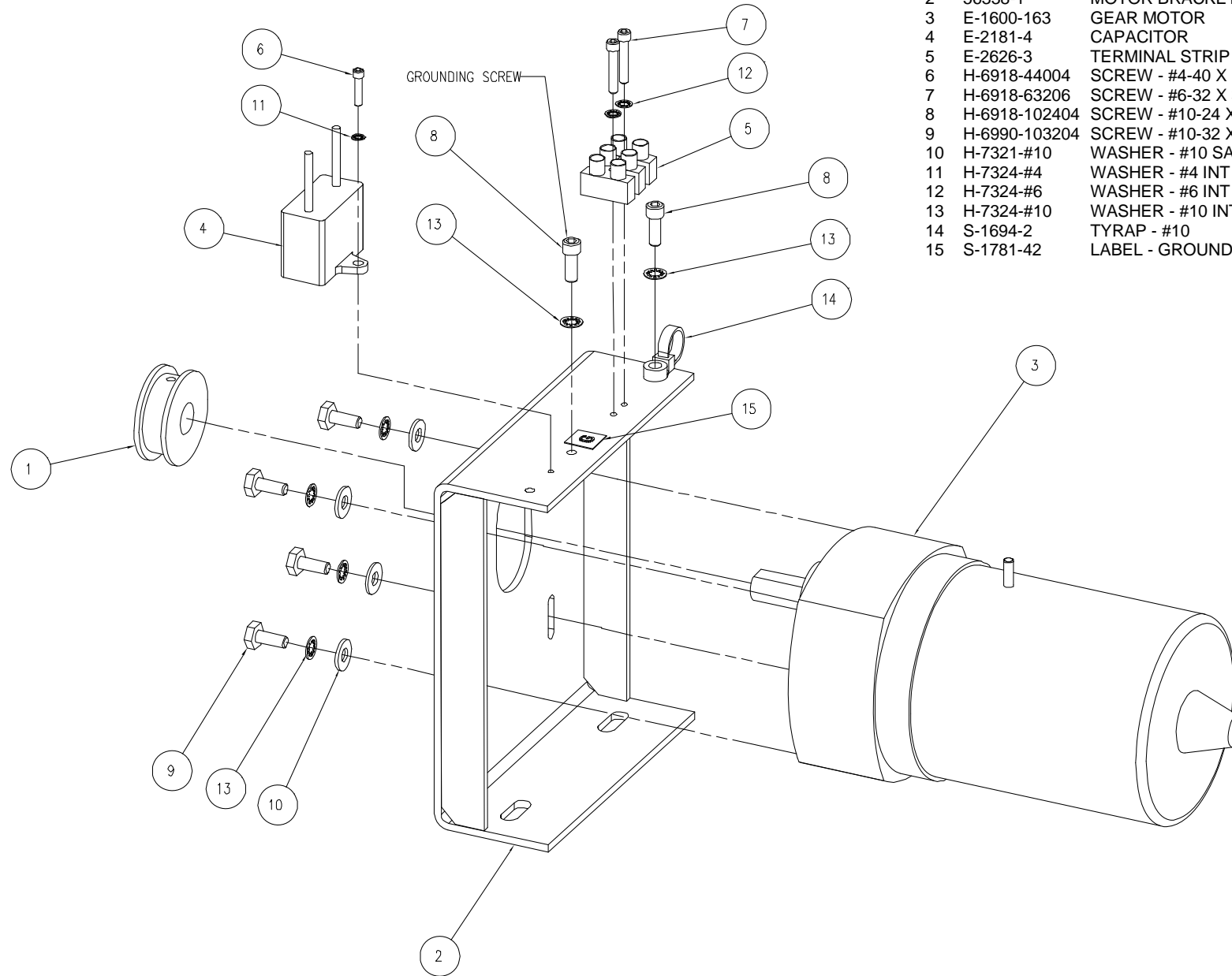
No.	Part Number	Description	Qty.
1	56409-1	CASE - CONVEYOR, TC EXIT	1
2	E-709-R	WIRE - #18 GA. RED	-
3	E-2743	WIRE - #18 GA. GRN/YEL	-
4	E-530-15	FUSE HOLDER - METRIC	1
5	E-2626-6	TERMINAL STRIP - 6 POS.	1
6	E-2330-12	FUSE - METRIC - 8/10A SB	1
7	E-2064-2	RELAY - SOLID STATE	1
8	EE-2947-22	PHOTO-SW. ASM. - TRAY FULL	1
9	EE-3550-1	MALE PLUG ASM. - POWER IN	1
10	E-2450-6	BULK HEAD PIGTAIL - 3 PIN 'CAN'	1
11	E-519	CONDUIT NUT - 1/2" STEEL	1
12	E-2756-9	FERRITE FILTER - SMALL CYL.	1
13	E-1152-56	STAND-OFF - 1/4" HEX 1/2" LG	5
14	S-1781-42	LABEL - GROUND	1
15	S-1781-105	LABEL - SPEED 'SWOOP'	1
16	S-1781-112	LABEL - FUSE - 8/10A	1
17	56340-2	CONVEYOR DRIVE ASM	1
18	E-1214-65	CONNECTOR- 1/4" FULL INS. Q.D.	5
19	E-1214-8	CONNECTOR- #10 RING INS.	2
20	H-6910-63204	SCREW - 6-32 X 1/2 BUT HD	5
21	H-6918-63206	SCREW - 6-32 X 3/4 SOC HD	4
22	H-6918-102404	SCREW - 10-24 X 1/2 SOC HD	1
23	H-6913-404	SCREW - 1/4-20 X 1/2 HEX HD	2
24	H-6423-#6	NUT, #6-32NC HEX (KEP STYLE)	5
25	H-7324-#6	WASHER - #6 INT. TOOTHLOCK	5
26	H-7324-#10	WASHER - #10 INT. TOOTHLOCK	1
27	H-7321-4	WASHER - 1/4 SAE PLAIN	2
28	H-7327-8	WASHER - 1/4 MEDIUM LOCK	2
29	EE-3508-1	PCB ASM. - CMT ACCESS. I/O	1
30	EE-2983-2	POT. ASM. - CONVEYOR SPEED	1
31	E-519-3	NUT - 'CAN' BULKHEAD	1

PL 5.71 Conveyor Drive Asm. 56340-1



No.	Part Number	Description	Qty.
1	56346	TIMING PULLEY - 56 GROOVE	1
2	56338-1	MOTOR BRACKET	1
3	E-1600-163	GEAR MOTOR	1
4	E-2181-4	CAPACITOR	1
5	E-2626-3	TERMINAL STRIP (3P)	1
6	H-6918-44004	SCREW - #4-40 X 1/2 SOC HD	1
7	H-6918-63206	SCREW - #6-32 X 3/4 SOC HD	2
8	H-6918-102404	SCREW - #10-24 X 1/2 SOC HD	2
9	H-6990-103204	SCREW - #10-32 X 1/2 HEX HD	4
10	H-7321-#10	WASHER - #10 SAE PLAIN	4
11	H-7324-#4	WASHER - #4 INT TOOTH	1
12	H-7324-#10	WASHER - #10 INT TOOTH	6
13	S-1694-2	TYRAP - #10	1
14	S-1781-42	LABEL - GROUND	1

PL 5.72 Conveyor Drive Asm. 56340-2



No.	Part Number	Description	Qty.
1	56563	TIMING PULLEY - 20 GROOVE	1
2	56338-1	MOTOR BRACKET	1
3	E-1600-163	GEAR MOTOR	1
4	E-2181-4	CAPACITOR	1
5	E-2626-3	TERMINAL STRIP (3P)	1
6	H-6918-44004	SCREW - #4-40 X 1/2 SOC HD	1
7	H-6918-63206	SCREW - #6-32 X 3/4 SOC HD	2
8	H-6918-102404	SCREW - #10-24 X 1/2 SOC HD	2
9	H-6990-103204	SCREW - #10-32 X 1/2 HEX HD	4
10	H-7321-#10	WASHER - #10 SAE PLAIN	4
11	H-7324-#4	WASHER - #4 INT TOOTH	1
12	H-7324-#6	WASHER - #6 INT TOOTH	2
13	H-7324-#10	WASHER - #10 INT TOOTH	6
14	S-1694-2	TYRAP - #10	1
15	S-1781-42	LABEL - GROUND	1