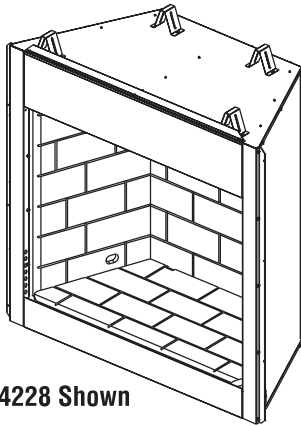




INSTALLATION AND OPERATING INSTRUCTIONS

UNIVERSAL VENT-FREE FIREBOX



UVFRC-4228 Shown

36" x 24", 36" x 28" & 42" x 28" Universal Vent-Free Fireboxes
P/N 700,032M REV. B 05/2006

MODELS

UVF-36

UVFRC-4228

UVFRC-3628

UVFRC-4228-H

UVFRC-3628-H

**INSTALLER: LEAVE THIS MANUAL WITH THE APPLIANCE.
CONSUMER: RETAIN THIS MANUAL FOR FUTURE REFERENCE.**

In the Commonwealth of Massachusetts:

- Installation must be performed by a licensed plumber or gas fitter;
- See Table of Contents for location of additional Commonwealth of Massachusetts requirements.

WARNING: DO NOT ATTEMPT TO BURN SOLID WOOD FUELS, OTHER GAS LOG SETS OR ANY OTHER COMBUSTIBLE MATERIALS IN THIS VENT-FREE FIREBOX.

FOR YOUR SAFETY: Do not store or use gasoline or other flammables or liquids in the vicinity of this or any other appliance.

FOR YOUR SAFETY: What to do if you smell gas:

- **DO NOT** light any appliance.
- **DO NOT** touch any electrical switches.
- Do not use any phone in your building.
- Immediately call your gas supplier from a neighbor's phone. Follow your gas suppliers instructions.
- If your gas supplier cannot be reached, call the fire department.

Installation and service must be performed by a qualified installer, service agency or the gas supplier.

FOR USE ONLY WITH A LISTED GAS-FIRED UNVENTED DECORATIVE ROOM HEATER NOT TO EXCEED 40,000 BTU/H.

DO NOT BURN WOOD OR OTHER MATERIAL IN THESE APPLIANCES.

WARNING: IMPROPER INSTALLATION, ADJUSTMENT, ALTERATION, SERVICE OR MAINTENANCE CAN CAUSE INJURY OR PROPERTY DAMAGE. REFER TO THIS MANUAL. FOR ASSISTANCE OR ADDITIONAL INFORMATION CONSULT A QUALIFIED INSTALLER, SERVICE AGENCY OR THE GAS SUPPLIER.

CAREFULLY REVIEW THE INSTRUCTIONS SUPPLIED WITH THE DECORATIVE TYPE VENT-FREE ROOM HEATER FOR THE MINIMUM FIREPLACE SIZE REQUIREMENT.

DO NOT INSTALL AN APPLIANCE IN THIS FIREBOX, UNLESS THIS FIREBOX MEETS THE MINIMUM DIMENSIONS REQUIRED FOR THE INSTALLATIONS.

THIS IS A VENT-FREE GAS-FIRED HEATER ENCLOSURE. IT USES AIR (OXYGEN) FROM THE ROOM IN WHICH IT IS INSTALLED. PROVISIONS FOR ADEQUATE COMBUSTION AND VENTILATION AIR MUST BE PROVIDED. REFER TO COMBUSTION AND VENTILATION AIR SECTION, PAGES 3 & 4.

Due to high temperatures, the appliance should be located out of traffic and away from furniture or draperies.

Do not place clothing or other materials on or near this appliance.

IMPORTANT: READ AND UNDERSTAND THESE INSTRUCTIONS COMPLETELY BEFORE INSTALLING YOUR VENT-FREE ROOM HEATERS.

Tested & Listed By



Beaverton Oregon USA

OMNI-Test Laboratories, Inc.

OTL Report No.116-F-38-5

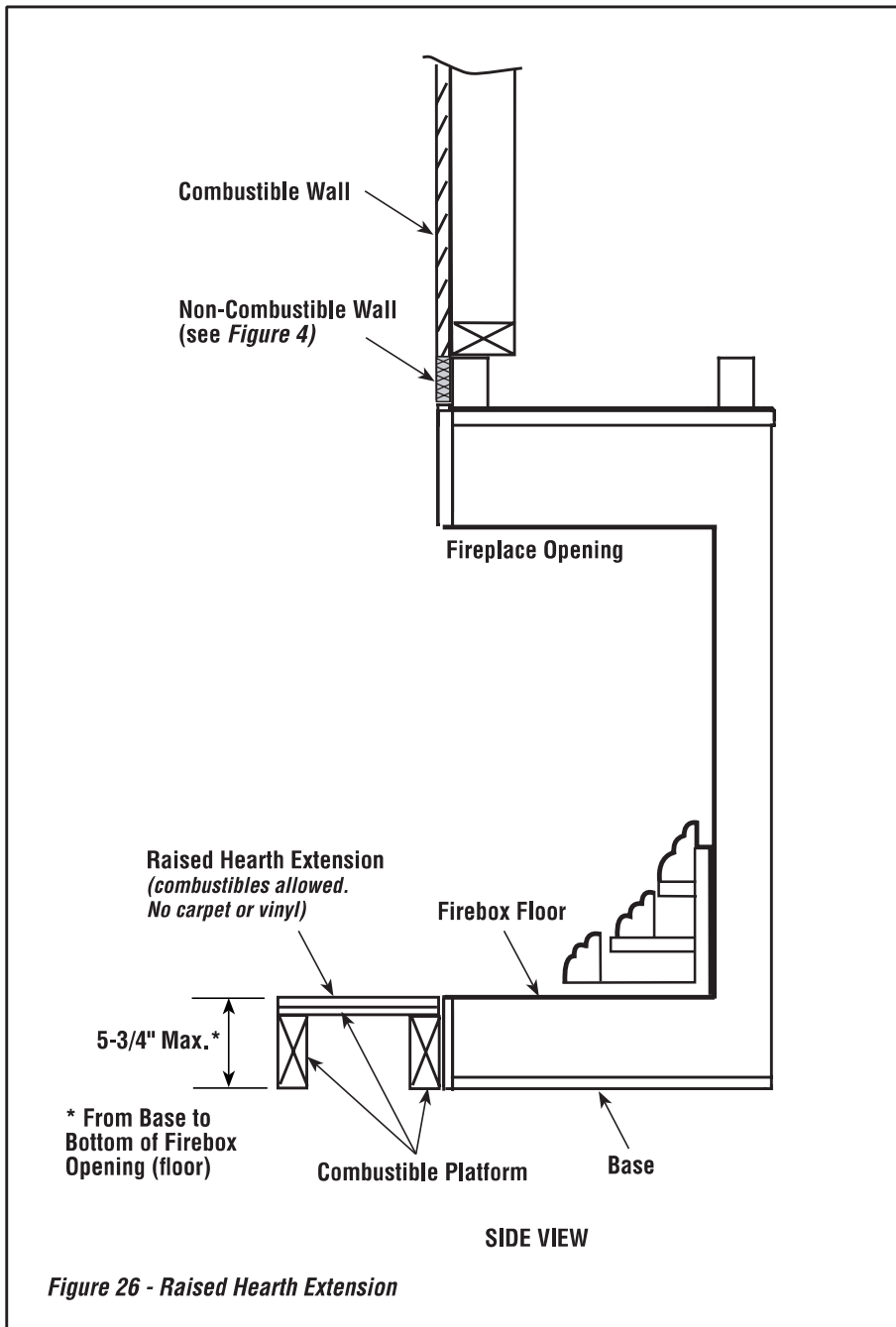
FIREBOX FINISHES

There are a wide variety of “finished looks” for your built-in Vent-Free firebox from formal wall decor with elaborate mantels to rustic wood paneling or warm brick facings.

Only noncombustible materials like marble, stone, tile, brick, etc. may overlap the black front facing. Seal all joints between the black facing and wall surrounds to prevent air intrusion. Use noncombustible caulking material only to seal the black metal facing to the surround material on the finished wall. See **Figures 3 & 26**.

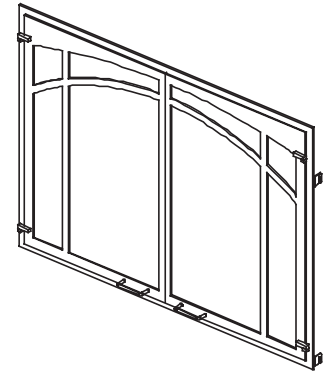
Raised Hearth Extension

A hearth extension may be used but is not required for these appliances. A raised hearth extension may be used as shown in **Figure 26**.



NOTE: DIAGRAMS & ILLUSTRATION ARE NOT TO SCALE.

APPROVED ACCESSORIES AND COMPONENTS

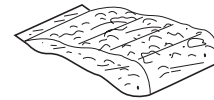


Decorative Arch Screen Panel Kit

This attractive screen door is easy to install and enhances the appearance of the appliance.

Decorative Screen Door Panel Kit		
Cat. No.	Model	Where Used
H1959	ASD3624-TI	UVF-36
H1960	ASD3628-TI	UVFRC-3628 & UVFRC-3628-H
H1961	ASD4228-TI	UVFRC-4228 & UVFRC-4228-H

(ref. Form # 750,209M)

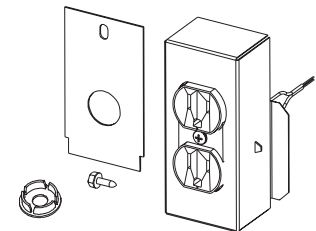


Decorative Volcanic Stone		
Cat. No.	Model No.	Description
80L42	FDVS	Bag of Volcanic Stone

(ref. Form #750,010M)

Decorative Volcanic Stone

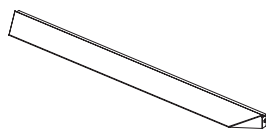
The decorative volcanic stone, Model FDVS, can be used to enhance the look of your appliance. Order model FDVS for replacement of stone when needed. Spread the decorative volcanic stone evenly around the bottom of the firebox.



Junction Box / Receptical Kit		
Cat. No.	Model No.	Description
H1958	JBK	Junction Box / Electrical Kit

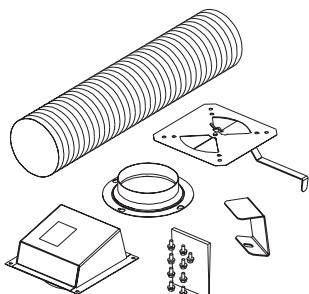
(ref. Form #750,203M)

APPROVED ACCESSORIES AND COMPONENTS



Charcoal Canopy		
Cat. #	Model	Models Where Used
H1989	FC36	UVFRC-3628, UVFRC-3628-H (UVF-36 standard part)
H1990	FC42	UVFRC-4228 & UVFRC-4228-H

(ref. Form #750,195M)



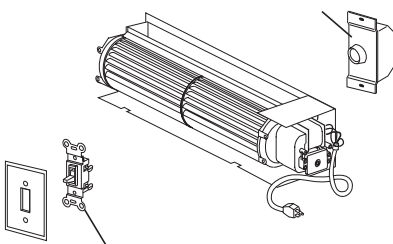
Outside Air Gate & Duct Kit		
Cat. No.	Model No.	Description
H3991	OAK-UVFRC	Outside Air Gate & Duct Kit

(ref. Form #750,206M)

Outside Air Gate & Duct Kit

These kits have an air gate assembly, 4" diameter duct and a termination hood. The air gate allows adjustment of the amount of outside air delivered to the fire for combustion. Only one kit, located on the right side of the fireplace, is required.

The variable speed control rheostat is included with FBK-200 models only



An ON/OFF wall switch can be used with the FBK-100 models (field supplied or order P/N 85L87 Wall Switch Kit, shown below)

* Forced Air Blower Kits		
Cat. No.	Model No.	Description
80L84	FBK-100	Blower, Standard (single speed)
80L85	FBK-200	Blower, Variable Speed (w/wall-mounted switch)
94L89	FBK-100-36	Blower, Standard, 36 Pack
94L90	FBK-200-36	Blower Kit - Variable Speed with Wall Switch 36 Pack

(ref. Form # 750,028M)

* The installation of these kits also require a Junction Box/Electrical Kit, not included. See ordering information below

Blower Kit

The FBK-100 blower provides for a constant velocity forced air circulation feature for your appliance. The FBK-200 assembly with variable speed wall switch provides a forced air circulation feature for your appliance.

Touch-Up Paint Kit



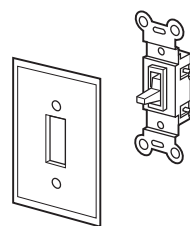
Repair of minor scratches and discoloration of the appliance charcoal painted surfaces may be accomplished with the touch-up paint kit.

Touch-Up Paint Kits		
Cat. No.	Model No.	Description
90L74	TPK-C	Touch-Up Paint (Charcoal)

(ref. Form # 504,216M)

ON/OFF Wall Switch Kit

The ON/OFF wall switch kit may be used to control the blower operation, if FBK-100 blower kit is installed. Install the ON/OFF wall switch in a convenient location near the fireplace.



White Wall Switch Kit		
Cat. No.	Model No.	Description
85L87	FWSK	ON/OFF Wall Switch Kit

SERENE HEAT® VENT-FREE GAS LOG SETS - MANUAL / PIEZO IGNITION, STANDING PILOT

(ref. Form #850,021M)

Cat. #	Model	Description	BTU/hr Input	Models Where Used
H2053	SHGL-18MN-R	18" Vent-Free Gas Log Set, Natural	25,000 - 36,000	UVF-36, UVFRC-3628 & UVFRC-3628-H
H2054	SHGL-18MP-R	18" Vent-Free Gas Log Set, Propane	27,000 - 36,000	UVF-36, UVFRC-3628 & UVFRC-3628-H
H2055	SHGL-24MN-R	24" Vent-Free Gas Log Set, Natural	26,000 - 39,000	UVF-36, UVFRC-3628 & UVFRC-3628-H
H2056	SHGL-24MP-R	24" Vent-Free Gas Log Set, Propane	31,000 - 39,000	UVF-36, UVFRC-3628 & UVFRC-3628-H

VENT-FREE GAS LOG SETS - MANUAL / PIEZO IGNITION, STANDING PILOT

(ref. Form #903,623M)

Cat. #	Model	Description	BTU/hr Input	Models Where Used
H2126	VFGL18-MSN-4	18" Vent-Free Gas Log Set, Natural	14,000 - 25,000	UVF-36, UVFRC-3628 & UVFRC-3628-H
H2127	VFGL18-MSP-4	18" Vent-Free Gas Log Set, Propane	14,000 - 25,000	UVF-36, UVFRC-3628, UVFRC-3628-H
H2128	VFGL24-MSN-4	24" Vent-Free Gas Log Set, Natural	17,000 - 32,000	UVF-36, UVFRC-3628 & UVFRC-3628-H
H2129	VFGL24-MSP-4	24" Vent-Free Gas Log Set, Propane	17,000 - 32,000	UVF-36, UVFRC-3628 & UVFRC-3628-H
H2130	VFGL28-MSN-4	28" Vent-Free Gas Log Set, Natural	17,000 - 32,000	UVFRC-4228 & UVFRC-4228-H
H2131	VFGL28-MSP-4	28" Vent-Free Gas Log Set, Propane	17,000 - 32,000	UVFRC-4228 & UVFRC-4228-H

REPLACEMENT PARTS

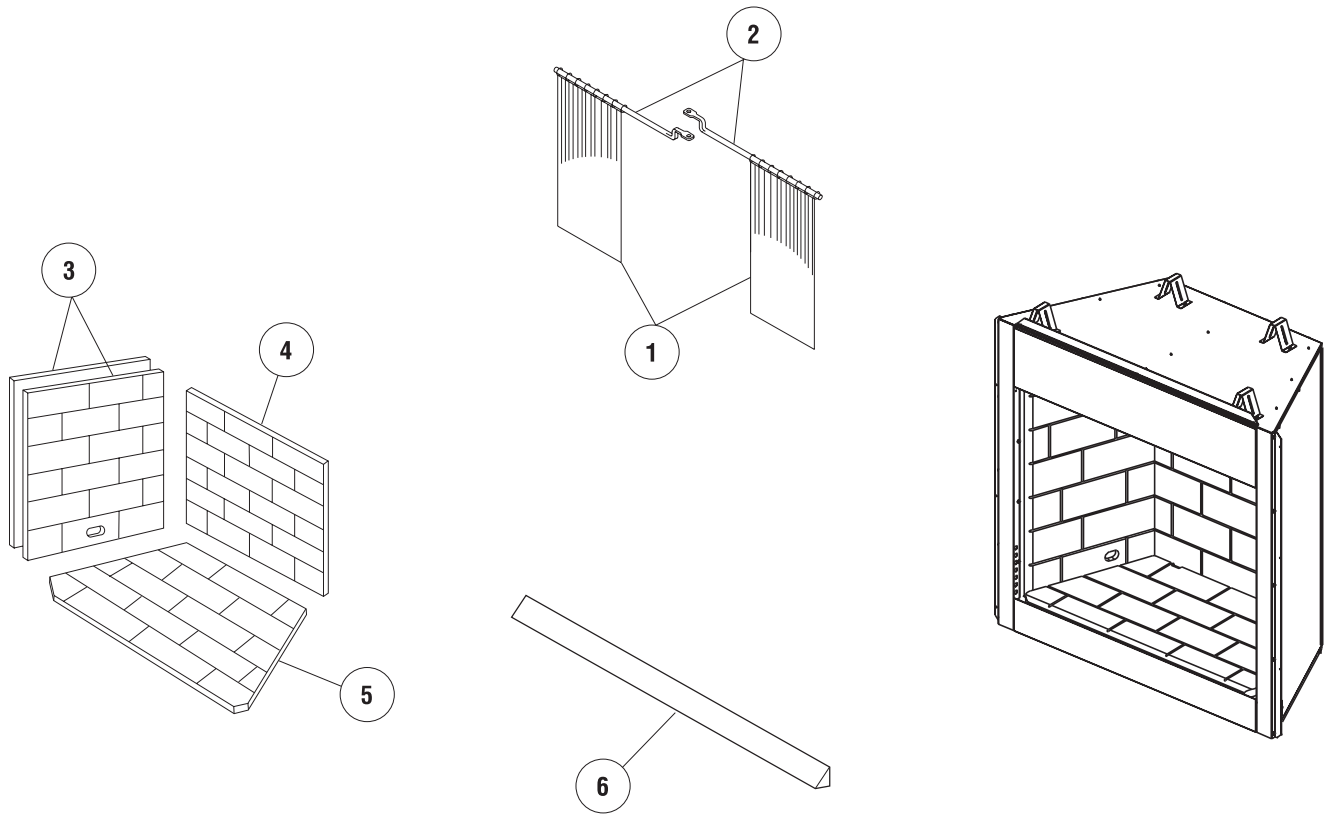
An exploded view of the firebox with numbered parts and a replacement parts list can be found on the Page. Normally, all parts should be ordered through your distributor or dealer. Parts will be shipped at prevailing prices at time of order.

When ordering repair parts, always give the following information:

1. The *model number of the firebox.
2. The *serial number of the firebox.
3. The part number.
4. The description of the part.
5. The quantity required.
6. The installation date of the firebox.

* **Note:** The model and serial number can be found on the rating label located on the bottom left front corner of the appliance.

If you encounter any problems or have any questions concerning the installation of a Vent-Free heater in this system, please contact your distributor or dealer or visit our website at www.lennox.com.



No.	Description	UVF-36		UVFRC-3628		UVFRC-3628-H		UVFRC-4228		UVFRC-4228-H	
		Part No.	Qty.	Part No.	Qty.	Part No.	Qty.	Part No.	Qty.	Part No.	Qty.
	Gas Fireplace Assembly	-	-	-	-	-	-	-	-	-	-
1.	Firescreen	H3814	2	H3820	2	H3820	2	H3827	2	H3827	2
2.	Rod, Screen	H3815	2	H3815	2	H3815	2	H3828	2	H3828	2
3a.	Refractory, Left	H3809	1	H3817	1	H3822	1	H3817	1	H3830	1
3b.	Refractory, Right	H3810	1	H3816	1	H3821	1	H3816	1	H3829	1
4.	Refractory, Rear	H3811	1	H3819	1	H3823	1	H3824	1	H3831	1
5.	Refractory, Bottom	-	-	H3818	1	H3818	1	H3825	1	H3825	1
6.	Canopy	H1989	1	H1989	1	H1989	1	H1990	1	H1990	1

NOTE: DIAGRAMS & ILLUSTRATION ARE NOT TO SCALE.