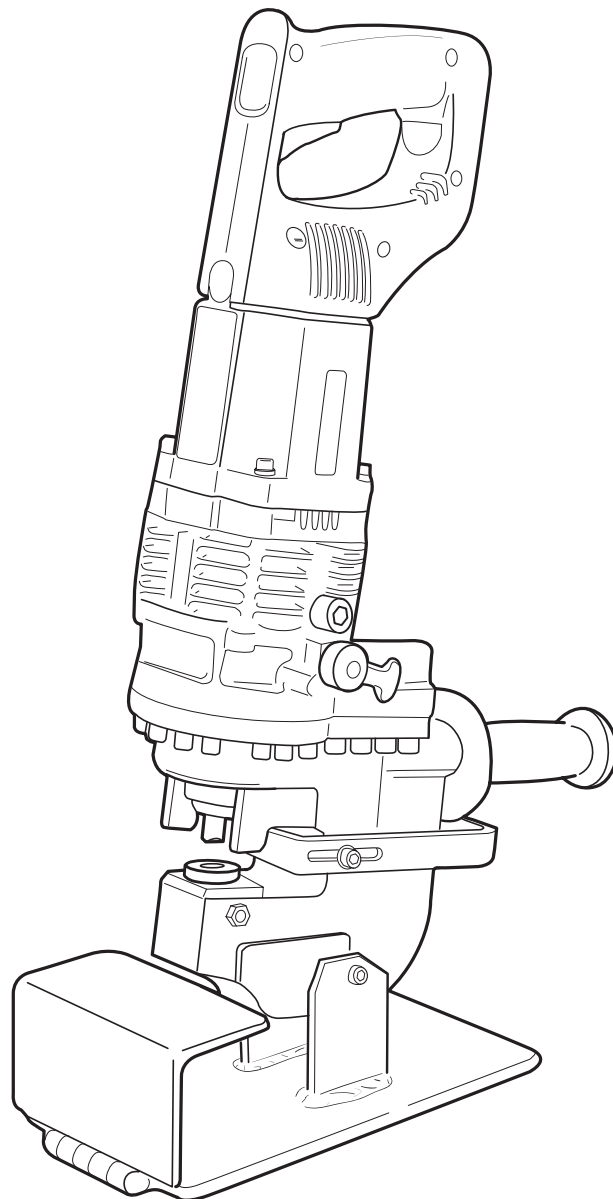


# **Hougen<sup>®</sup>-Ogura<sup>™</sup>**

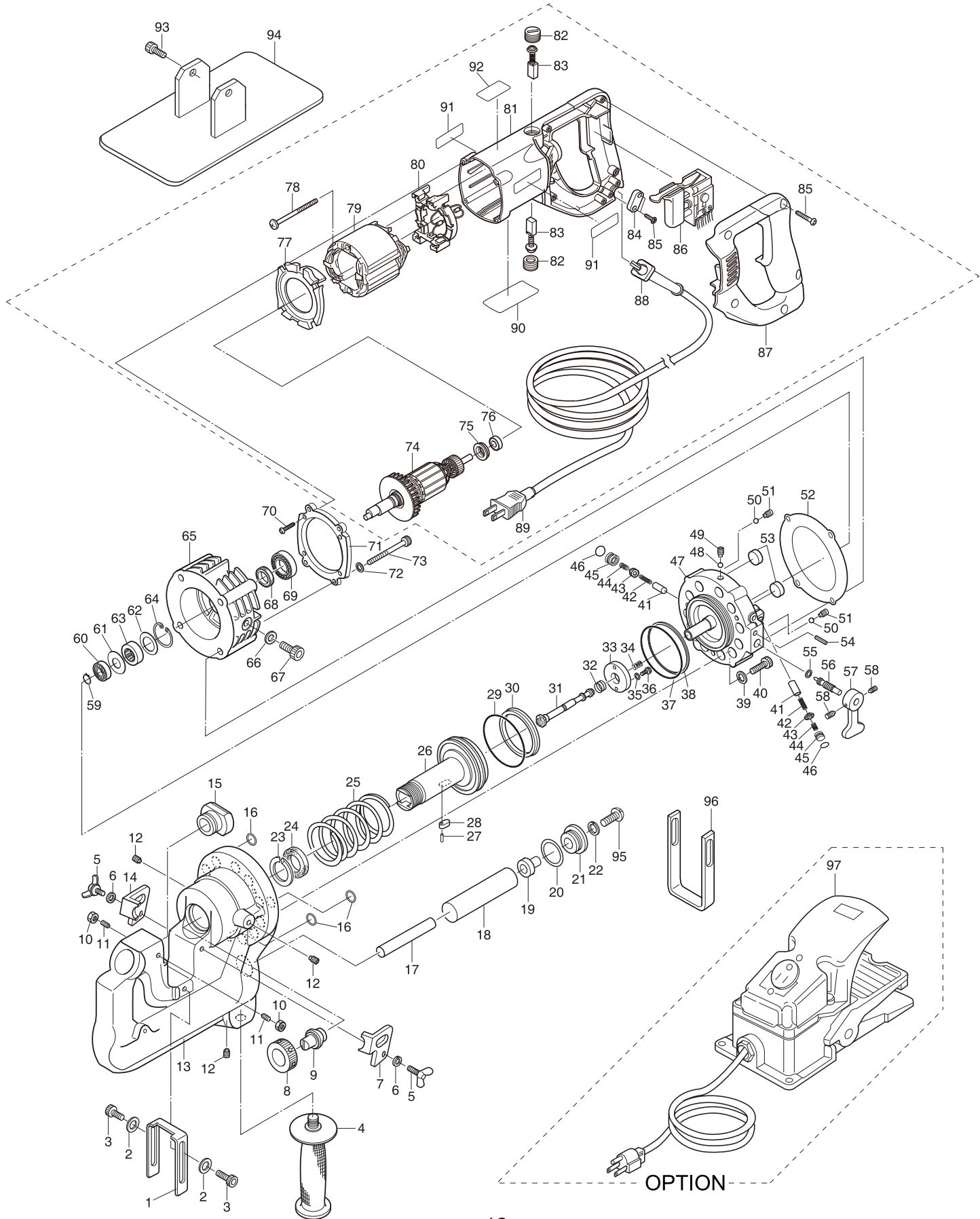
## **75002.5PR PUNCH PRO<sup>™</sup> ELECTRO-HYDRAULIC HOLE PUNCHER**

### **OPERATOR'S MANUAL**

COVERS HOLE PUNCHER PART NUMBERS 0752102 & 0752202



# PARTS BREAKDOWN



# PARTS LIST - 75002.5PR

Item	Part #	Description	Qty
1	76400	Slide Stopper	1
2	76401	Washer WM5	2
3	76402	Bolt HB5 x 12	2
4	75063	Grip Handle	1
5	75156	Bolt 6 x 15	2
6	75162	Washer SW6	2
7	76403	Stripper R	1
8	76404	Punch Retaining Nut	1
9	-----	Punch	1
10	75091	Nut NM6	2
11	75189	Bolt HS6 x 14	2
12	76405	Bolt GDL 1 / 16	3
13	76406	C-Frame	1
14	76407	Stripper L	1
15	-----	Die	1
16	75909	O-Ring P8	3
18	75137	Oil Leveler Sack	1 set
19	76408	Bushing	1
20	76409	O Ring P26	1
21	76410	Bushing Holder	1
22	75155	Washer SW*	1
23	76411	Back Up Ring	1
24	76412	SKY packing	1
25	75187	Punch Return Spring	1
26	76413	Punch Rod	1
27	75099	Spring Pin SRP2.5 x 10	1
28	75135	Punch Rod Key	1
29	76414	O-Ring S67	1
30	76415	Packing	1
31	76416	Spool Release Valve	1
32	75202	Valve Return Spring	1
33	75203	Stopper Plate	1
34	76417	Release Valve Spring	1
35	75101	Washer HW4	1
36	75205	Bolt HB4 x 6	1
37	76418	O-Ring G65	1
38	76419	Back Up Ring G65	1
40	76420	Bolt HB8 x 22	12
41	76421	Piston	2
42	75053	Piston Return Spring	2
43	75050	Check Valve	2
44	75052	Check Valve Spring	2
45	75325	Packing	2
46	75326	O-Ring S-8	2
47	76466	Cylinder with Piston	1 set
48	75208	Steel Ball D4	5
49	75207	Bolt HS5 x 5	5
50	76423	Steel Ball D3	2
51	76424	Bolt HS4 x 4	2
52	76425	Liner B	1
53	75054	Magnet	2

Item	Part #	Description	Qty
54	75209	Spring Pin SRP4 x 20	1
55	75085	O-Ring P4	1
56	75046	Return Valve	1
57	75047	Return Lever	1
58	75160	Bolt HS6 x 8	2
59	75256	Stop Ring	1
60	76467	Ball Bearing 698	1
61	76426	Needle Holder B	1
62	76427	Needle Holder A	1
63	76428	Needle Bearing	1
64	76429	Stop Ring H25	1
65	76430	Pump Case	1 set
66	75090	Seal Washer	1
67	75107	Bolt SB10 x 15	1
68	75259	Oil Seal UE15257	1
69	75327	Ball Bearing 6002RU	1
70	76431	Screw 5 x 25	4
71	76432	Motor Flange	1
72	75835	Washer HW5	4
73	76433	Bolt HB5 x 65	4
74	76434	Armature Set (115V)	1 set
	76435	Armature Set (230V)	1 set
75	76436	Insulator Washer	4
76	76437	Ball Bearing	4
77	76438	Baffle Plate	1
78	76439	Screw 5 x 50	2
79	76440	Field (115V)	1
	76441	Field (230V)	1
80	76442	Field Support Set	1
81	76443	Motor Housing Set	1
82	76444	Brush Cap	1
83	76445	Carbon Brush (Pair)	1 set
84	75848	Cord Clamp (115V)	1
	76446	Cord Clamp (230V)	1
85	75849	Screw 4 x 18	7
86	76447	Switch	1
87	76448	Handle Cover	1
88	75852	Strain Relief (115V)	1
	76449	Strain Relief (230V)	1
89	76450	Electric Supply Cord (115V)	1
	76451	Electric Supply Cord (230V)	1
	76477	Electric Supply Cord (230V, Type I)	1
90	76452	Name Label (115V)	1
	76477	Name Label (230V)	1
91	76453	Caution Label	1
92	76454	Warning Label	1
93	76455	Bolt HB6 x 15	2
94	76456	Work Stand	1
95	76457	Retaining Screw	1
96	76458	Slide Stopper	1
97	75110	Foot Switch (115V)	1
	76479	Foot Switch (230V)	1
	76480	Foot Switch (230V, Type I)	1
98	76459	Condenser	1

# PUNCHES AND DIES FOR 75002.5PR

ROUND PUNCH				MATERIAL		DIE		OBLONG PUNCH				MATERIAL		DIE	
Nominal	Size		Part No.	Thickness	Style	Size	Part No.	Nominal	Size		Part No.	Thickness	Style	Size	Part No.
	Actual	Metric							Actual	Metric					
15/64"	.234	6mm	76334	5/64 (.078) to 1/8 (.125) 14 to 11 GA.	F, A, H	Die 15/64 SA	76308	1/4"	.256	6.5mm	76347	5/64 (.078) to 1/8 (.125) 14 to 11 GA.	F, A, H	Die 1/4 x 3/8 A	76300
				5/64 (.078) to 1/4 (.250) 14 to 3 GA.	F, A, H	Die 15/64 SB	76309								
1/4"	.256	6.5mm	76335	5/64 (.078) to 1/8 (.125) 14 to 11 GA.	F, A, H	Die 1/4 SA	76310	1/4"	.256	6.5mm	76348	5/64 (.078) to 1/8 (.125) 14 to 11 GA.	F, A, H	Die 1/4 x 1/2 A	75643
				5/64 (.078) to 1/4 (.250) 14 to 3 GA.	F, A, H	Die 1/4 SB	76311								
5/16"	.315	8mm	76336	5/64 (.078) to 1/8 (.125) 14 to 11 GA.	F, A, H	Die 5/16 SA	76312	1/2"	.512	13mm	76349	5/64 (.078) to 1/8 (.125) 14 to 11 GA.	F, A, H	Die 11/32 x 1/2 A	75645
				5/64 (.078) to 1/4 (.250) 14 to 3 GA.	F, A, H	Die 5/16 SB	76313								
11/32"	.335	8.5mm	76337	5/64 (.078) to 1/8 (.125) 14 to 11 GA.	F, A, H	Die 11/32 SA	76314	11/32"	.335	8.5mm	76350	5/64 (.078) to 1/8 (.125) 14 to 11 GA.	F, A, H	Die 11/32 x 43/64 A	76302
				5/64 (.078) to 1/4 (.250) 14 to 3 GA.	F, A, H	Die 11/32 SB	76315								
3/8"	.394	10mm	76338	5/64 (.078) to 1/8 (.125) 14 to 11 GA.	F, A, H	Die 3/8 SA	76316	17/32"	.531	13.5mm	76351	5/64 (.078) to 1/8 (.125) 14 to 11 GA.	F, A, H	Die 23/64 x 17/32 A	76304
				5/64 (.078) to 1/4 (.250) 14 to 3 GA.	F, A, H	Die 3/8 SB	76317								
7/16"	.433	11mm	76339	19/64" (.297) max.	C	Die 3/8 C	75450	3/8"	.394	10mm	76352	5/64 (.078) to 1/8 (.125) 14 to 11 GA.	F, A, H	Die 3/8 x 19/32 A	76306
				5/64 (.078) to 1/8 (.125) 14 to 11 GA.	F, A, H	Die 7/16 SA	76318								
15/32"	.472	12mm	75910	5/64 (.078) to 1/4 (.250) 14 to 3 GA.	F, A, H	Die 7/16 SB	76319	19/32"	.591	15mm	76353	5/64 (.078) to 1/4 (.250) 14 to 3 GA.	F, A, H	Die 3/8 x 19/32 B	76307
				5/64 (.078) to 1/8 (.125) 14 to 11 GA.	F, A, H	Die 15/32 SA	75912								
1/2"	.512	13mm	76340	19/64" (.297) max.	C	Die 15/32 SB	75913	7/16"	.433	11mm	76355	5/64 (.078) to 1/8 (.125) 14 to 11 GA.	F, A, H	Die 7/16 x 5/8 A	75647
				5/64 (.078) to 1/8 (.125) 14 to 11 GA.	F, A, H	Die 1/2 SA	76320								
9/16"	.562	14mm	76341	5/64 (.078) to 1/4 (.250) 14 to 3 GA.	F, A, H	Die 1/2 SB	76321	5/8"	.625	15.9mm	76355	5/64 (.078) to 1/4 (.250) 14 to 3 GA.	F, A, H	Die 7/16 x 5/8 B	75648
				19/64" (.297) max.	C	Die 1/2 C	75452								
19/32"	.591	15mm	76342	5/64 (.078) to 1/8 (.125) 14 to 11 GA.	F, A, H	Die 9/16 SA	76322	1/2"	.512	13mm	76354	5/64 (.078) to 1/8 (.125) 14 to 11 GA.	F, A, H	Die 1/2 x 3/4 A	75649
				5/64 (.078) to 1/4 (.250) 14 to 3 GA.	F, A, H	Die 9/16 SB	76323								
5/8"	.625	15.9mm	76343	5/64 (.078) to 1/8 (.125) 14 to 11 GA.	F, A, H	Die 9/16 C	75453	3/4"	.750	19mm	76355	5/64 (.078) to 1/4 (.250) 14 to 3 GA.	F, A, H	Die 1/2 x 3/4 B	75650
				5/64 (.078) to 1/4 (.250) 14 to 3 GA.	F, A, H	Die 19/32 SA	76324								
11/16"	.688	17.5mm	76344	5/64 (.078) to 1/8 (.125) 14 to 11 GA.	F, A, H	Die 19/32 SB	76325	9/16"	.562	14mm	76355	5/64 (.078) to 1/8 (.125) 14 to 11 GA.	F, A, H	Die 9/16 x 13/16 A	75651
				5/64 (.078) to 1/4 (.250) 14 to 3 GA.	F, A, H	Die 5/8 SA	76326								
23/32"	.709	18mm	75911	5/64 (.078) to 1/8 (.125) 14 to 11 GA.	F, A, H	Die 5/8 SB	76327	13/16"	.827	21mm	76355	5/64 (.078) to 1/4 (.250) 14 to 3 GA.	F, A, H	Die 9/16 x 13/16 B	75652
				5/64 (.078) to 1/4 (.250) 14 to 3 GA.	F, A, H	Die 11/16 SA	76328								
3/4"	.750	19mm	76345	5/64 (.078) to 1/8 (.125) 14 to 11 GA.	F, A, H	Die 11/16 SB	76329	1/2"	.512	13mm	76355	5/64 (.078) to 1/4 (.250) 14 to 3 GA.	F, A, H	Die 9/16 x 13/16 B	75652
				5/64 (.078) to 1/4 (.250) 14 to 3 GA.	F, A, H	Die 23/32 SA	75915								
3/4"	.750	19mm	76345	5/64 (.078) to 1/8 (.125) 14 to 11 GA.	F, A, H	Die 23/32 SB	75916	3/4"	.750	19mm	76345	5/64 (.078) to 1/8 (.125) 14 to 11 GA.	F, A, H	Die 3/4 SA	76330
				5/64 (.078) to 1/4 (.250) 14 to 3 GA.	F, A, H	Die 3/4 SB	76331								

• Punching capacity data is based on mild steel of 65,000 psi tensile strength

