



LENNOX HEARTH PRODUCTS

INSTALLATION AND OPERATING INSTRUCTIONS

REFLECTIONS™

36" Electric Fireplace
P/N 850,019M REV. B 04/2007

MODELS

LSE-36R



This installation manual will enable you to obtain a safe, efficient and dependable installation of your electric fireplace. Please read and understand these instructions before beginning your installation.

Do not alter or modify the fireplace or its components under any circumstances. Any modification or alteration of the fireplace system, including but not limited to the fireplace and accessories, may void the warranty, listings and approvals of this system and could result in an unsafe and potentially dangerous installation.

IMPORTANT! TO ASSURE PROPER ALIGNMENT OF GLASS DOORS: INSTALL THIS FIREPLACE IN A SQUARE AND PLUMB CONDITION, USING SHIMS AS NECESSARY AT SIDES AND/OR BOTTOM.

**INSTALLER: DO NOT DISCARD THIS MANUAL
PLEASE LEAVE FOR THE HOMEOWNER**

FOR YOUR SAFETY

DO NOT STORE OR USE GASOLINE OR OTHER FLAMMABLE VAPORS AND LIQUIDS IN THE VICINITY OF THIS OR ANY OTHER APPLIANCE

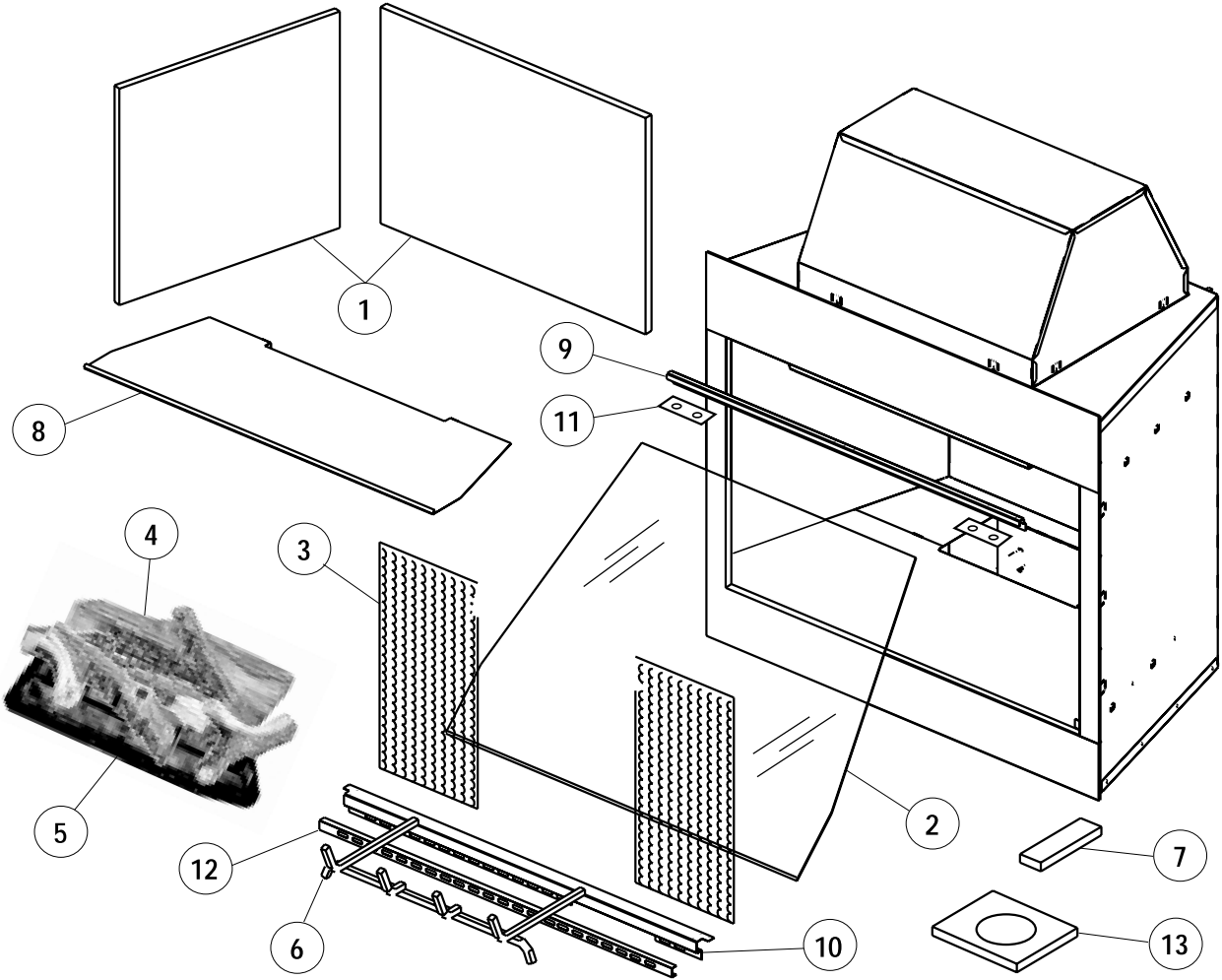
LENNOX™ ELECTRIC FIREPLACES ARE DESIGNED FOR USE AS A DECORATIVE APPLIANCE AND/OR AS A SUPPLEMENTAL HEATER. THEY ARE NOT INTENDED FOR CONTINUOUS USE AS A PRIMARY HEAT SOURCE.

**RETAIN THESE INSTRUCTIONS
FOR FUTURE REFERENCE**



OTL Report No. 116-F-12-2

REPLACEMENT PARTS



No.	DESCRIPTION	LSE-36R	
		Part No.	Qty.
	Electric Fireplace Assembly	-	-
1.	Refractory, (3 Piece Set)	42M46	1
2.	Glass	42M50	1
3.	Screen, (with Pulls)	66M45	2
4.	Log Set (Boxed)	H1091	1
5.	Ember Bed	42M40	1
6.	Grate	LB-102458	1
7.	Remote Control	H1455	1
8.	Floor	LB-102434	1
9.	Track, Door	499482	1
10.	Door Support	LB-102450	1
11.	Door Clips	LB-98109	2
12.	Grille	LB-102408	1
13.	DVD Disk	42M35	1

Note: Lennox does not supply replacement bulbs. Use only 15 watt compact florescent bulbs. We recommend a bulb with 900 lumens.

ACCESSORY PARTS AND COMPONENTS FOR THE LSE-36R

The accessory parts and components shown on this page are to be used only with your LSE-36R electric fireplace. Separate installation instructions are packaged with all accessories.

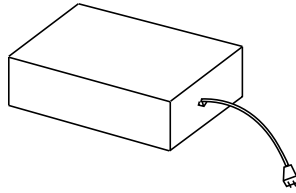
If you encounter any problems or have questions concerning the installation or application of this system, please contact your distributor. For the name of your nearest distributor call:

LENOX HEARTH PRODUCTS
1110 West Taft Avenue
Orange, CA 92865

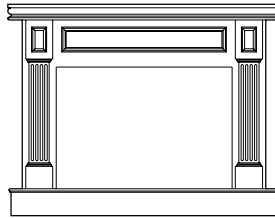
Model	Catalog Number	Weight
LSE-36R	H0807	177 lbs.

ACCESSORY COMPONENTS

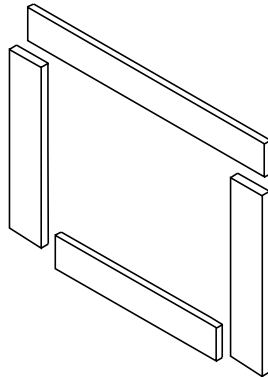
The following items are available for use with this appliance.



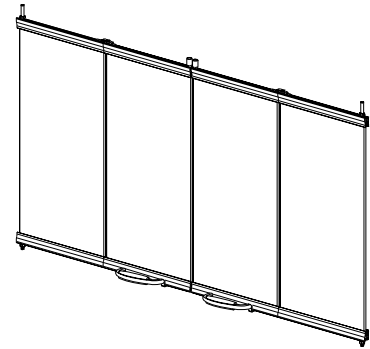
Upgrade 220V Heater Kit	H0808	EV-220
-------------------------	-------	--------



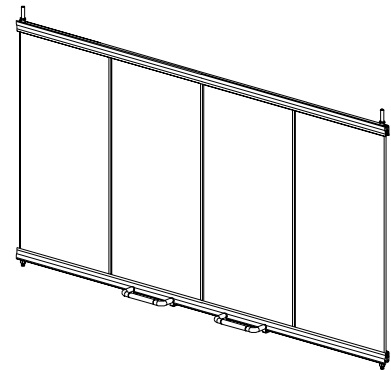
Cabinet Surround Kit, Wall		
- Paint Grade	H1282	CSKW-PG
- Unfinished Oak	H1283	CSKW-UO
- Finished Oak	H1284	CSKW-FO



Cabinet Surround Trim Kit		
- Bottacino Beige	H1285	CSTK-BB
- Jade Green	H1286	CSTK-JG
- Misty Black	H1287	CSTK-MB



Bi-Fold Doors	86L26	36 ABF
	86L27	36 ABF-BB
	86L28	36 ABF-BS



Glass Enclosure Panels	27M30	36GEP
	27M31	36GEP-BS

To ensure warranty and to prevent a potential fire hazard, do not use any other doors on these appliances.