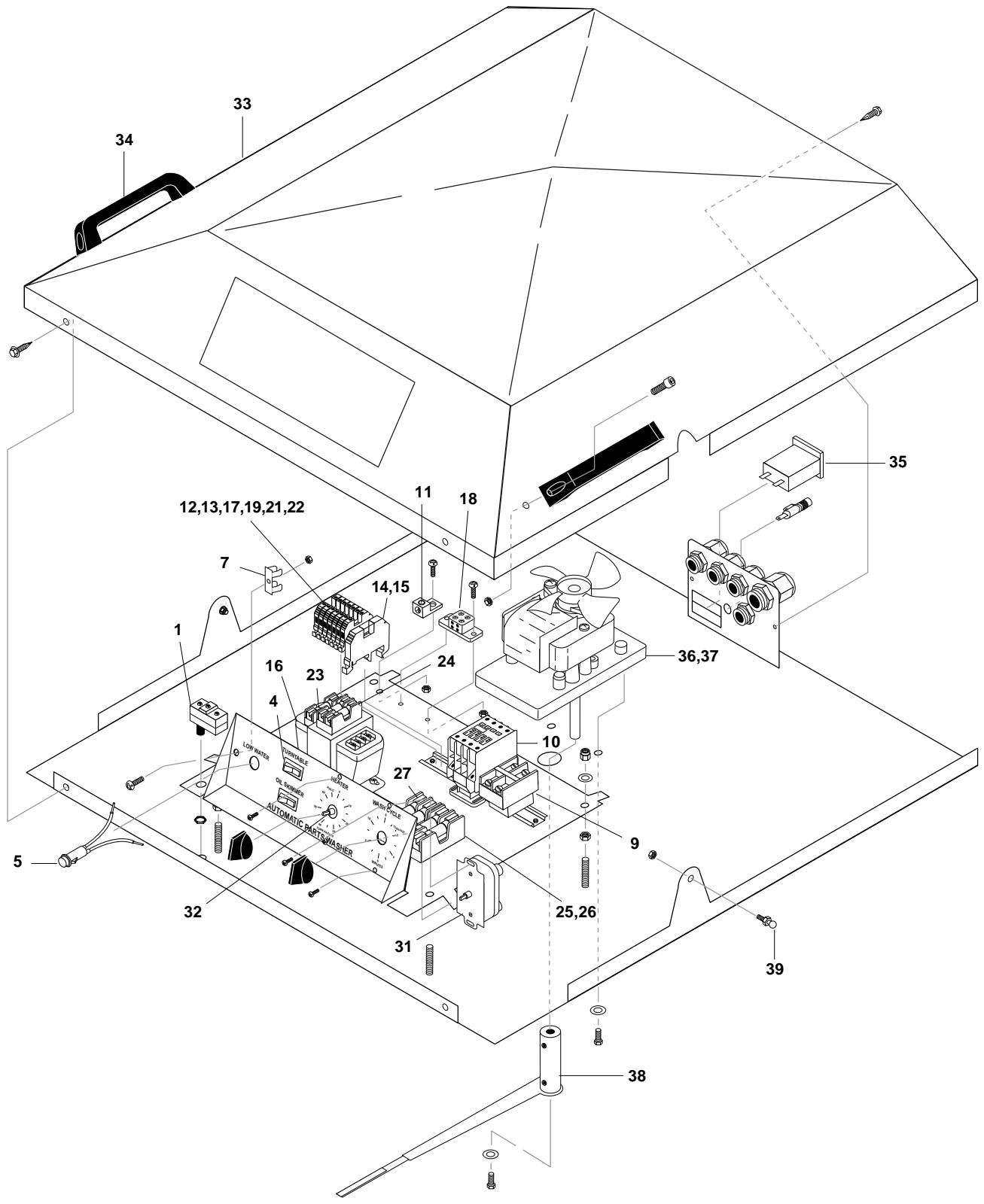


## 120V ELECTRICAL PANEL PARTS LIST

ITEM	PART NO.	DESCRIPTION	QTY	ITEM	PART NO.	DESCRIPTION	QTY
1	500.316	Contact, 3-Pole (C09) 9 Amp	1	14	501.201	Jumper, Electrical, (CJ6-3)	1
2	500.400	Lug, Ground, 2 Hole	1	15	501.964	Light, Indicator, .5", Red	1
3	500.413	Rail, End-Anchor EA35	2	16	502.118	Timer, 15 Minute Spring Wound	1
4	500.421	Switch, Lid/Door, 15 Amp	1	17	502.119	Block, Terminal, 2-Position	1
5	500.423	Boot, Switch, Threaded	1	18	500.754	Block, Terminal, Green (4)	1
6	500.773	Knob, Timer, Black	1	19	501.460	Fuse, Glass, 3 Amp	1
7	500.787	Switch, Rocker Lighted, Skimmer/TT, On/Off	2	20	502.406	Contact, 3-Pole (C12), NC Aux Contacts, 12 Amp Ind.	1
8	500.803	Block, Terminal, Blue (4)	3	21	500.764	Switch, Mercury Tilt	1
9	500.804	Block, Terminal, Grey (4)	3	22	500.765	Clip, Mounting	1
10	500.812	Relay, SPDT (K36)	1	23	4-050822	Meter, Hour, 115V (Opt.)	1
11	500.820	Relay, Base (121)	1	24	95-04-11432	Cover, Lid, 16 Gauge	1
12	501.054	Cap, End, Gray	1	25	500.521	Handle, Lid	2
13	502.377	Holder, Fuse, 1/4" x 1-1/4" Push/Turn Panel Mount For AGC	1	26	502.480	Gearmotor, 6 RPM	1
				27	95-04-11663	Arm, Torque Assembly	1
				28	502.482	Gasket, Gearmotor	1
				29	500.098	Stud, Ball, 5/16"	4

# EXPLODED VIEW - 230V ELECTRICAL PANEL



## 230V ELECTRICAL PANEL PARTS LIST

ITEM	PART NO.	DESCRIPTION	QTY	ITEM	PART NO.	DESCRIPTION	QTY
1	500.421	Switch, Lid, 15 Amp	1	18	502.119	Block, Terminal, 2-Pos.	1
2	500.423	Switch Boot, Threaded	1	19	500.413	Anchor, Rail-End, EA35	2
3	500.773	Knob, Timer, Black	1	20	501.460	Fuse, 3 Amp, Glass	1
4	500.787	Switch, Lighted Rocker Skimmer/TT On/Off	2	21	500.754	Block, Terminal, Green	2
5	501.964	Light, Indicator, Red, .50"	1	22	501.201	Jumper, Electrical (CJ6-3)	1
6	500.764	Switch, Mercury Tilt	1	23	500.391	Fuse, 2 Amp, FNM-2	1
7	500.765	Clip, Mounting	1	24	500.709	Fuse, Class R 2A FNQ-R-2	2
8	503.202	Label, Control	1	25	500.714	Block, Fuse, 2-Pole	2
9	503.427	Contactora, Def Purpose 30 Amp	1	26	500.847	Fuse, 25 Amp, Non-25	2
10	500.316	Contactora, 3-Pole (C09), 9 Amp Ind.	1	27	502.470	Fuse, 7 Amp FNR-R-7	2
11	500.400	Lug, Ground, 2-Hole	1	28	501.164	▲ Connector, 3 Pin Male	2
12	500.803	Block, Terminal, Blue	3	29	501.312	▲ Connector, 6 Pin Male	
13	500.804	Block, Terminal, Grey	3	30	501.165	Connector, Electric Female Pins	21
14	500.812	Relay, SPDT (K36)	1	31	500.074	Timer, 60 Min.	1
15	500.820	Relay, Base (121)	1	32	500.075	Timer, 12 Hr.	1
16	502.734	Transformer, 200 VA	1	33	95-04-11432	Cover, Lid, 16 Gauge	1
17	501.796	Jumper, Electrical (CJ6-2)	1	34	500.521	Lid, Handle	1
				35	4-050822	Meter, Hour (Optional)	1
				36	502.480	Gearmotor, 6 RPM	1
				37	502-482	Gasket, Gearmotor	1
				38	95-04-11663	Arm, Torque Assembly	1
				39	500.098	Stud, Ball, 5/16"	4

▲ Not Shown



## EXPLODED FRONT VIEW PARTS LIST

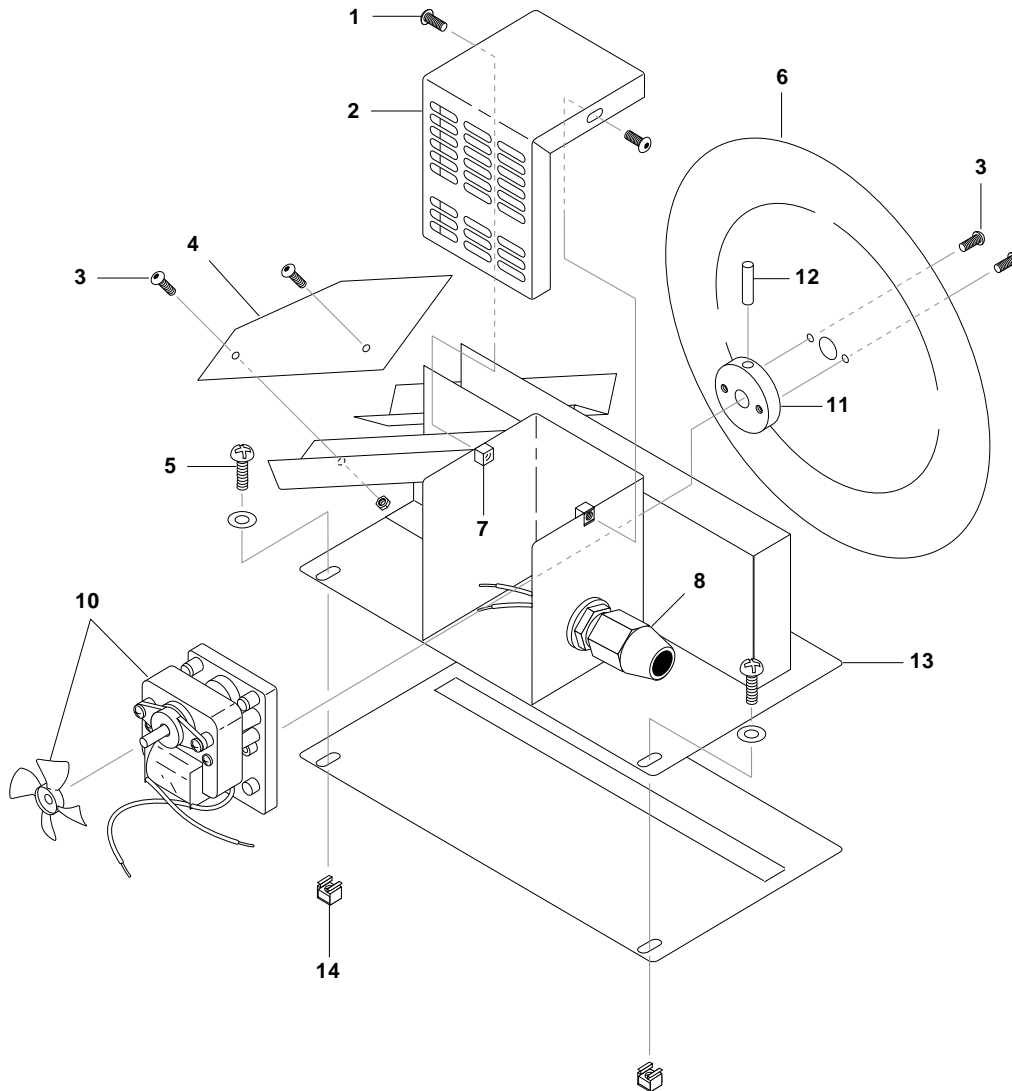
ITEM	PART NO.	DESCRIPTION	QTY	ITEM	PART NO.	DESCRIPTION	QTY
1	200.017	Container, Oil Collection	1	18	500.158	Screw, 10-32 x 1/2" Phillips	2
2	500.040	Faucet, Plastic	2	19	500.270	Nut, Nyloc 10-32	2
3	501.777	Latch, Vice Action		20	500.144	Elbow, 1/4" Street, 90° Blk	2
4	500.076	Drill, Pneumatic Air, 90°	1	21	500.028	Elbow, Barbed Male, 1/4" NPT x 1/4" Nylon, 90°	1
5	500.078	Hose Assembly, 1/4" x 62", NPT End	1	22	500.033	Clamp, Hose, 3/4" x 1-3/4", #020	2
6	502.187	Nozzle, #3, 80°	3	23	500.139	Elbow, 3/4", 45°, Black	1
7		Bearing, Thrust, 3/4" OD x 3/8" UHMW	1	24	500.269	Nut, 1/4"-20, Nyloc	2
8		Ring, Containment (Opt.)	1	25	500.118	Hose, 1/4", AG200	? ft.
9	95-04-11663	Arm Assy., Torque	1	26	200.866	Decant, White (Option)	1
10	500.081	Valve, Ball, 3-Way	1	27	500.136	Cap, 3/4" Black	1
11	500.041	Regulator, 1/4" NPT Air	1	28	500.021	Hose Barb, Male, 3/8" Hose x 1/4" NPT	2
12	500.004	Diaphragm, Pump-Air	1	29	500.039	Filter, Inlet, 1/4" NPT	1
13	500.003	Nozzle, #3, 50°	6	30	502.273	Screw, 10-24 x 1/4" MS, Phillips, Zinc	2
14				31	500.223	Cap, 1-1/2" Black	1
15	500.702	Holder, Power Brush	1	32	500.110	Guard, Edge, Vinyl, Black	2 ft.
16	9-5003	Brush, Polyflow	1	33	501.778	Gasket, Latch	1
17	502.208	Hose, 3/6"	24"	34	500.077	Brush, Wire Cup, 2-3/4" Dia, 1/4" Stem	1
				35	500.346	Washer, #10, Rubber Bonded	3
				36	500.668	Washer, #10 Flat	3
				37	500.050	Clip, Detail Brush	1
				38	502.644	Seal, Bulb Type, Nitrile	4 ft.
				39	501.880	Hose, 1/4" ID x 7/16" OD, Buna Tubing	? ft.
				40	4-029001000	Hose, 3/8", AG200	? ft.



## EXPLODED REAR VIEW PARTS LIST

ITEM	PART NO.	DESCRIPTION	QTY	ITEM	PART NO.	DESCRIPTION	QTY
1	502.820	Strut, Gas Spring, #70	2	17	500.142	Elbow, 1-1/4" Street, 90°	2
2	500.521	Strainer, Handle/Door, Small	2	18	500.012	Hose Barb, 1-1/4" Male, NPT	2
3	500.098	Stud, Ball, 5/16"-18UNC	4	19	500.033	Clamp, Hose, 3/4" x 1-3/4", #020	4
4	502.162	Element, Heating, 1.8Kw/120V/1Ph	1	20	500.129	Nut, 3/8"-16, Nyloc	4
	500.045	Element, Heating, 4.5Kw/230V/1Ph	1	21	501.318	Screw, 10 x 1/2", Self-Tapping	4
5	502.473	Hose, 1-1/4" x 14-1/2" Precut, 200 PSI	1	22	500.886	Screw, 10-24 x 3/4", Pan	3
6	503.215	Hose, 1-1/4" x 6-3/4" Precut, 200 PSI	1	23	500.177	Washer, 3/8" Flat	4
7	5-23848	Pump, Scott 1/2"HP 115V/230V/1Ph	1	24	500.144	Elbow, 1/4" Street, 90° Blk	1
8	500.824	Seal, Pump #126, 2 Pc. Viton-Ceramic	1	25	501.600	Strain Relief, 3/4" Straight	2
9	500.476	Valve, Solenoid, 1/2" Brass, 120V (Optional)	1	26	500.043	Strain Relief, 1/2" Straight	5
10	500.825	O-Ring, Pump, #126 BUNA	1	27	502.290	Nut, Cage, 10-24	3
11	501.148	Thermostat, Snap Disc, 180°, 1 Ph	1	28	502.548	Gasket, Skimmer Base, MPW, SCE41Sponge	1
12	95-04-9239	FlatStrap, 1/16" x 1/2" x 11-1/16" Brass	1	29	500.164	Strain Relief, 1/2", 90°	1
13	6-02071	Switch, Magnetic Reed Sensor, NC	1	30	500.046	Strain Relief, 1/2" Straight	1
14	6-02072	Switch, Magnetic Reed Sensor, NO	1	31	501.323	Cord, Electric, 10' 14/3, 15 Amp, 5-15P Plug	1
15	6-02073	Magnet, Reed Sensor Target	1	32	502.129	Nut, 1/2" Plastic, Heyco Fittings	1
16	500.225	Float, Poly, Cylindrical	1	33	502.293	Hose Adapter, 1/2" MPT x 3/4" FGHT	1
				34	500.802	Filter, Hose, w/6050 Mesh 304SS	1

## OIL SKIMMER - EXPLODED VIEW



## OIL SKIMMER PARTS LIST

ITEM	PART NO.	DESCRIPTION	QTY	ITEM	PART NO.	DESCRIPTION	QTY
1	90-1991	Screw, 10/32" x 1/2" BH, SOC, Black	2	5	502.364	Screw, 10-24 x 3/4", Panhead	3
	90-19996	Screw, 10/32" x 1/2" BH, SOC, SS	2	6	95-0749202	Disc, Skimmer SS	1
2	500.688	Cover, Motor, Disc Skimmer SS	1	7	90-2018	Nut, Cage, 10/32" x 16 Ga.	2
3	90-100010	Screw, 10/32" x 1/2", Slot Pan MS, SS	4	8	6-05159	Connector, 1/2" L/T Strt Blk	2
	90-100010	Screw, 10/32" x 1/2" Slot Pan SS	4	9	6-0128	Conduit, WTRT, Flex, 1/2"	6
4	95-071010015	Blade, Wiper, Disc Skimmer SS	2	10	5-1097	Motor, Disc Skimmer	1
				11	95-0749203	Hub, Disc Mount, Disc Skimmer	1
				12	90-500342	Pin, Roll 1/8" x 1" Steel	1
				13	502.548	Gasket, Skimmer Base	1
				14	502.290	Nut, Cage, 10-24	3