

REVISED STARTING
SERIAL # 130110096

PARTS LIST MANUAL

MODEL TMS-10



SHOWN WITH
OPTIONAL FOLDING STAND
PART NO. 24150

10" ELECTRIC TILE SAWS

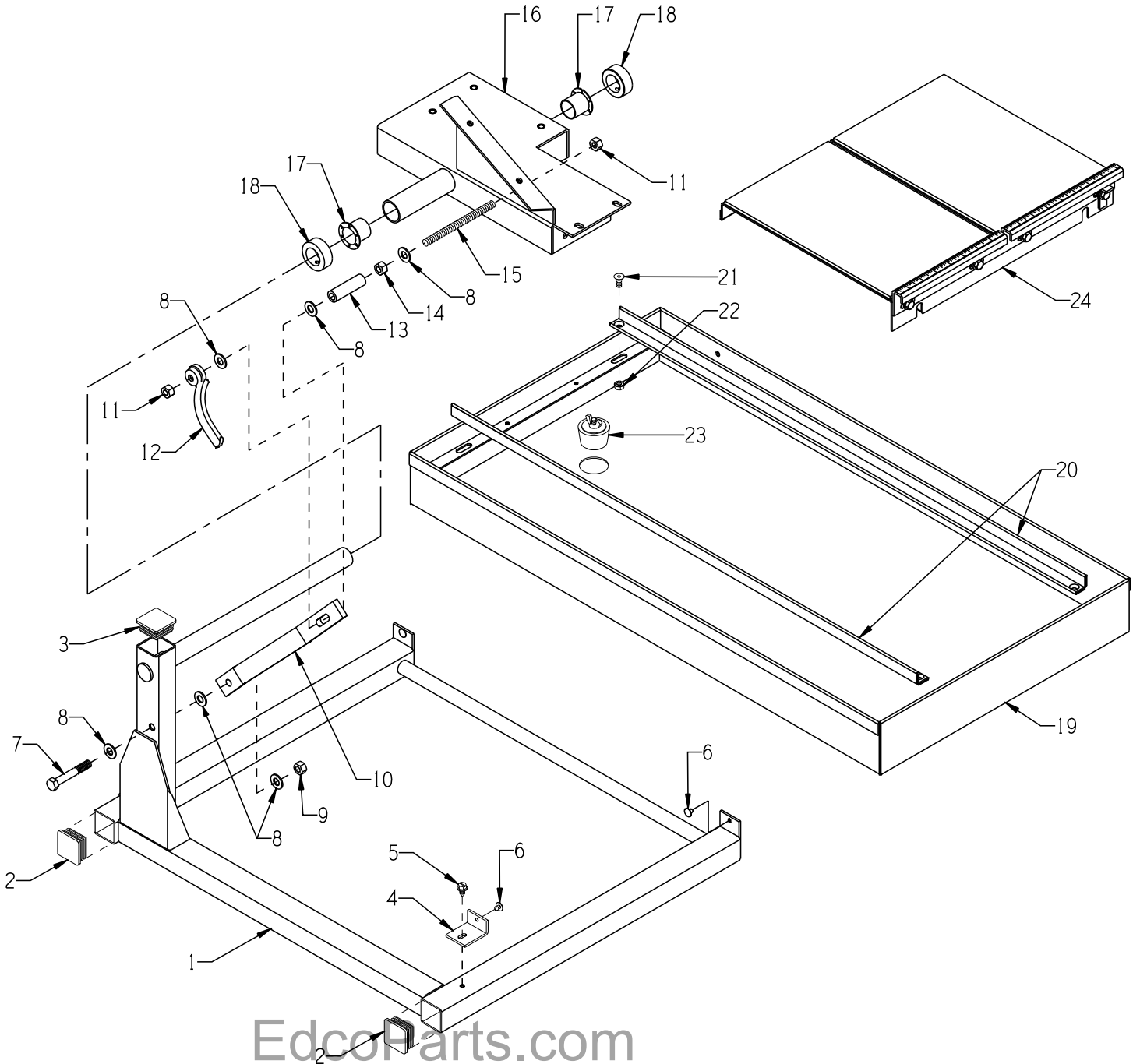
SKU #	MODEL #	POWER OPTION
24200	TMS10-1.5L	LEESON ELECTRIC MOTOR 1.5HP 60Hz 1-PHASE
24200-50	TMS10-1.5L/50	LEESON ELECTRIC MOTOR 1.5HP 50Hz 1-PHASE

EdcoParts.com

888-634-4289

An IBuy Stores Company

ILLUSTRATION 1: MAIN GROUPING



EdcoParts.com

888-634-4289

An iBuy Stores Company

PARTS LISTING - ILLUSTRATION 1 : MAIN GROUPING

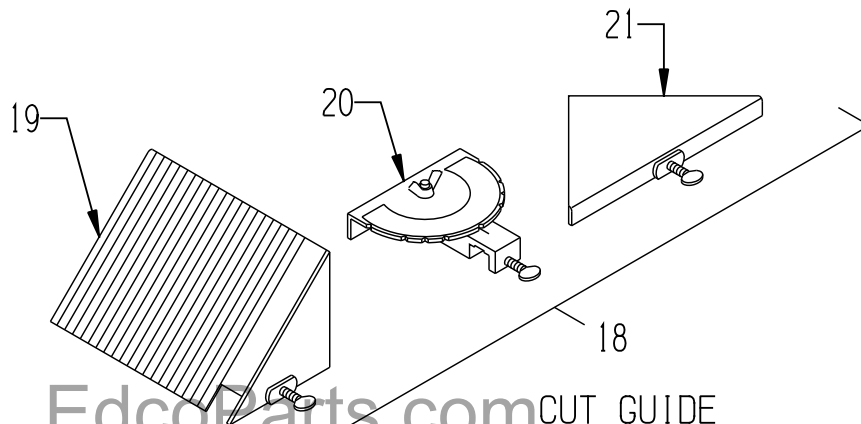
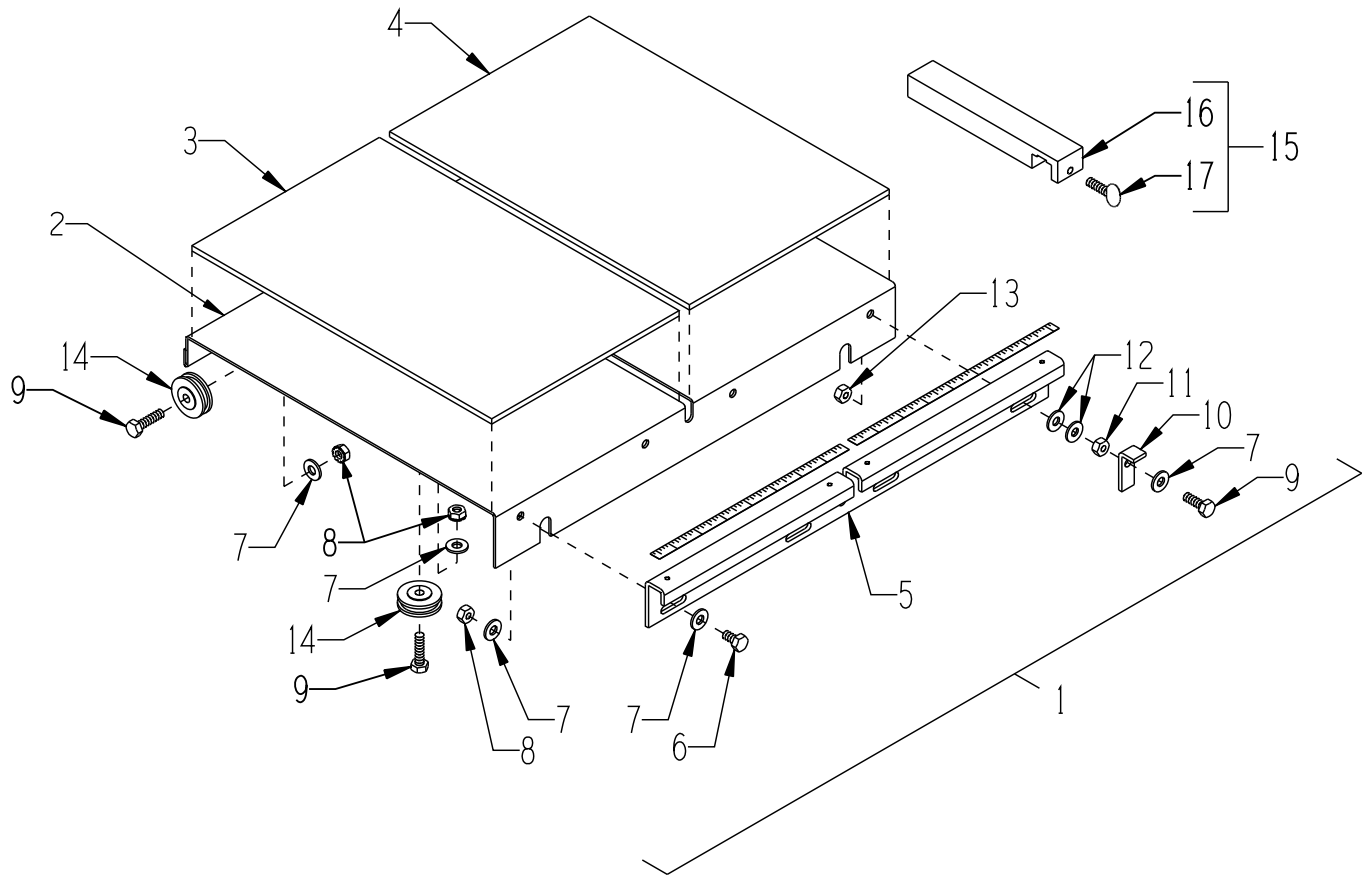
ITEM #	PART #	DESCRIPTION	QTY.
1	42107	BASE & POST FRAME WELDMENT, TMS-10	1
2	42123	PLUG, SQ. TUBE 1-1/2 X 14 GA., BLK.	2
3	42148	PLUG, SQ. TUBE 1-1/2 X 11 GA., BLK	1
4	42126	BRACKET, NYLON RIVET, TMS-10	2
5	10846	SCREW, CAP STSHW 1/4-20 X 1/2	2
6	42127	RIVET, NYLON PUSH-IN PANEL	2
7	10393	SCREW, CAP 3/8-24 X 2-1/2	1
8	10025	WASHER, FLAT 3/8 SAE ZINC (* SHIM AS REQUIRED TO ALIGN DECK PROPERLY)	6*
9	10004	NUT, HEX LOCK 3/8-24 ZINC	1
10	42162	LOCKING BAR, ARBOR HEIGHT, TMS-10	1
11	10156	NUT, HEX NYLON LOCK 3/8-16 ZINC	2
12	40044	NUT, TAIL HANDLE 3/8-16	1
13	42163	SPACER, ARBOR HEIGHT LOCKING BAR 5/8"OD x 3/8"ID x 2-1/8"L	1
14	10404	NUT, HEX 3/8-16 ZINC	1
15	42164	ROD, ALLTHREAD 3/8-16 X 5, TMS-10	1
16	42108N	DECK, MOTOR & ARBOR, TMS-10	1
17	41123	BEARING, SLEEVE 1"ID NYLON FLANGED	2
18	10427	COLLAR, LOCKING 1"ID	2
19	42101	PAN, TMS-10	1
20	42102B	TRACK RAIL 33-3/4"L, GMS/TMS-10	2
21	11540	SCREW, FLAT HD SLT 1/4-20 X 5/8	4
22	10861	NUT, KEPS LOCK 1/4-20 ZINC	4
23	40378	STOPPER ASSEMBLY 1-1/2"	1
24	42170	TABLE COMPLETE, ROLLING, TMS-10 (REFER TO ILLUS. 2 FOR BREAKDOWN)	1

EdcoParts.com

888-634-4289

An iBuy Stores Company

ILLUSTRATION 2: ROLLING TABLE ASSEMBLY



EdcoParts.com CUT GUIDE
888-634-4289 ACCESSORY PACKAGE
(OPTIONAL)

An iBuy Stores Company

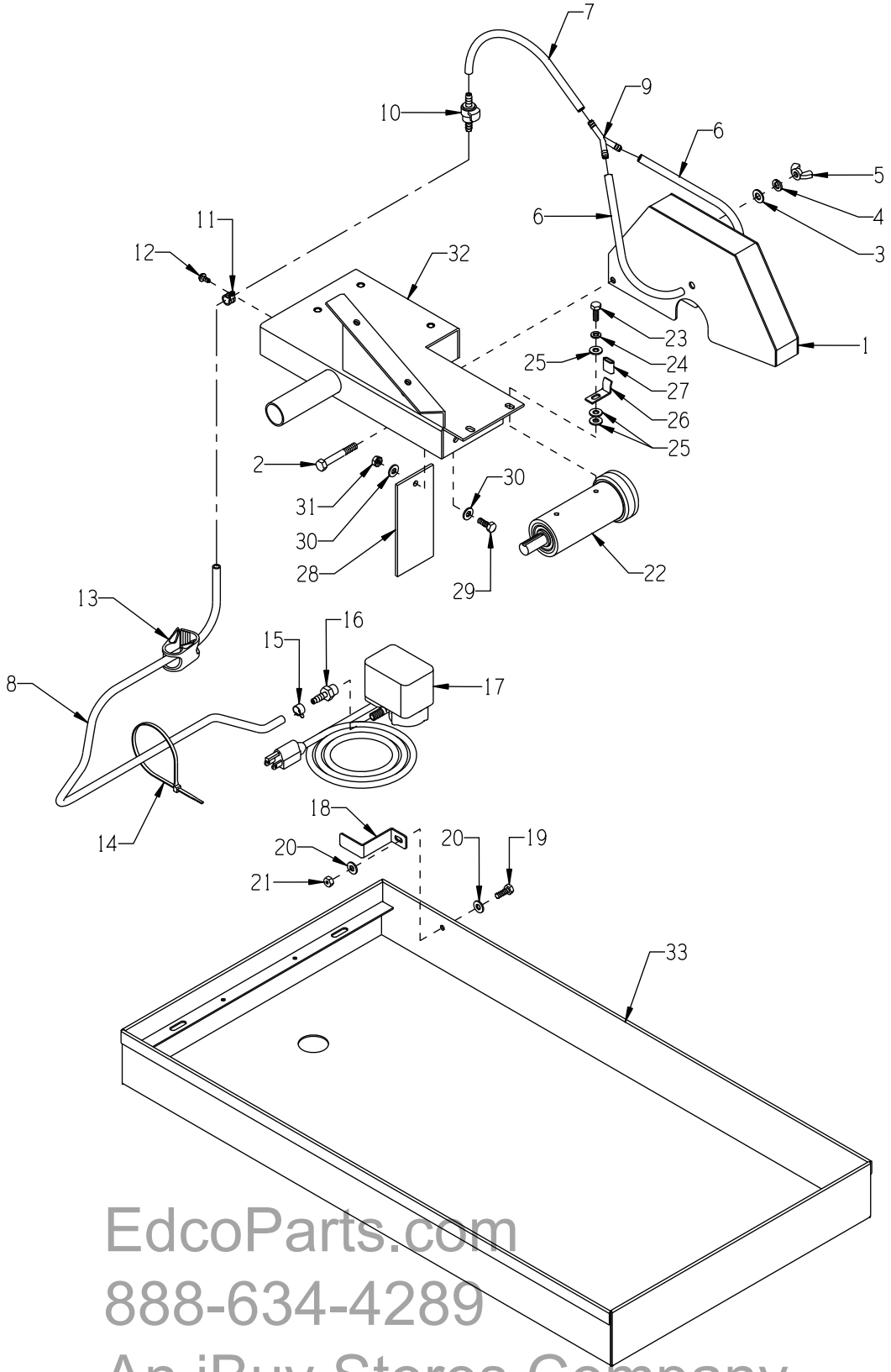
PARTS LISTING - ILLUSTRATION 2 : ROLLING TABLE ASSEMBLY			
ITEM #	PART #	DESCRIPTION	QTY.
1	42170	TABLE COMPLETE, ROLLING, TMS-10 (INCLUDES ITEMS 2 THRU 16 + RULER DECALS)	1
2	42171	TABLE, ROLLING, TMS-10	1
3	42222	RUBBER PAD 12 X 7-1/2 X 3/16	1
4	42221	RUBBER PAD 12 X 8 X 3/16	1
5	42172	TABLE FRONT PANEL, ROLLING, TMS-10 (NO RULER DECALS)	1
6	10018	SCREW, CAP 1/4-20 X 3/4	3
7	10602	WASHER, FLAT 1/4 SAE ZINC	13
8	10861	NUT, KEPS LOCK 1/4-20 ZINC	9
9	10031	SCREW, CAP 1/4-20 X 1	7
10	42106	LATCH, ROLLING TABLE	1
11	10013	NUT, HEX 1/4-20 ZINC	1
12	11704	WASHER, FLAT .257 X .624 X .060THK	2
13	10015	NUT, HEX LOCK 1/4-20 ZINC	1
14	14082	PULLEY BEARING 1-1/4DIA. X 1/4BORE	6
15	42160	GUIDE ASSY., STRAIGHT CUT, TMS-10 (INCLUDES ITEMS 16 & 17)	1
16	42132	GUIDE ONLY, STRAIGHT CUT, TMS-10	1
17	42133	SCREW, THUMB, SPADE HD 1/4-20 X 3/4	1
18	42149	ACCESSORY PACKAGE, TMS-10 (INCLUDES ITEMS 19, 20 & 21)	1
19	42155	GUIDE ASSY., 45 DEG. MITER, TMS-10	1
20	42150	GUIDE ASSY., ADJ. PROTRACTOR, TMS10	1
21	42153	GUIDE ASSY., DUAL 45D ANGLE, TMS-10	1

EdcoParts.com

888-634-4289

An iBuy Stores Company

ILLUSTRATION 3: BLADE GUARD & WATER PUMP GROUPING



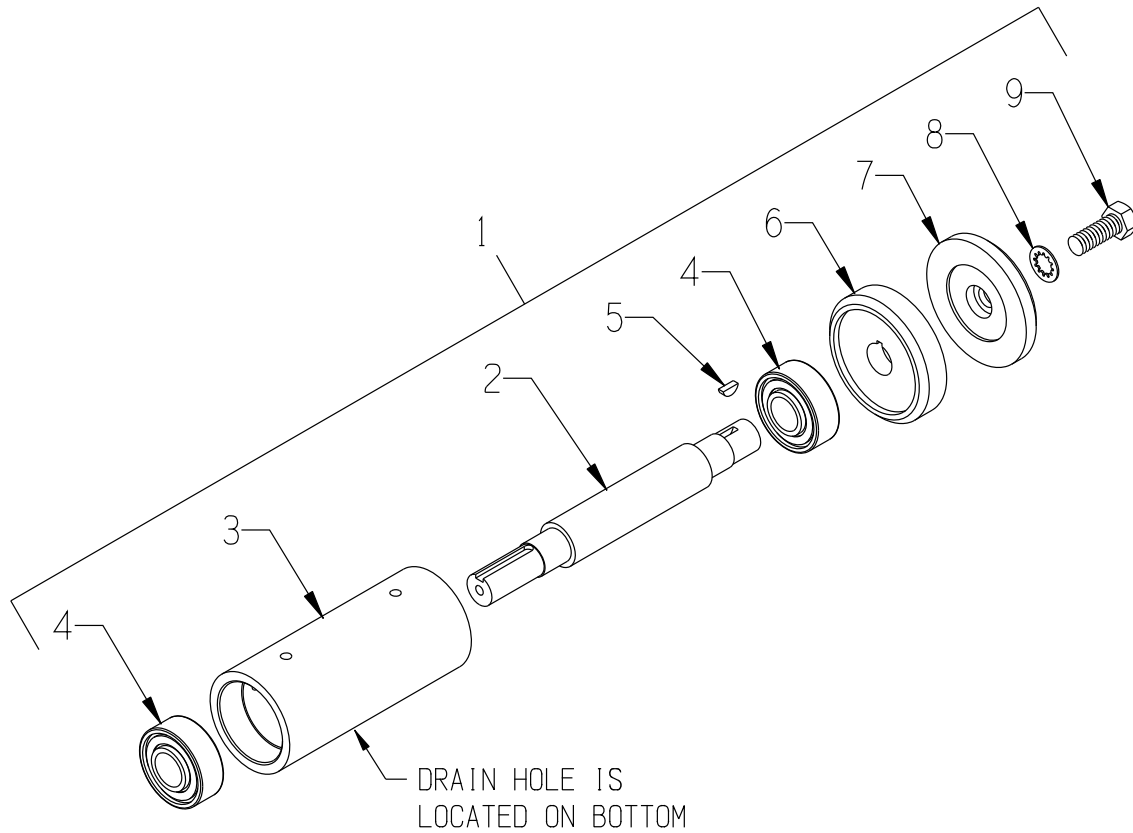
EdcoParts.com
888-634-4289
An iBuy Stores Company

PARTS LISTING - ILLUSTRATION 3 : BLADE GUARD & WATER PUMP GROUPING			
ITEM #	PART #	DESCRIPTION	QTY.
1	42113	GUARD, BLADE 10"	1
2	10341	SCREW, CAP 5/16-18 X 2-1/4	1
3	10213	WASHER, FLAT 5/16 SAE ZINC	1
4	10801	WASHER, LOCK 5/16 ZINC	1
5	10902	NUT, WING 5/16-18	1
6	42141	HOSE 1/4"ID X 8"L	2
7	42142	HOSE 1/4"ID X 12"L, TMS-10	1
8	42143	HOSE 1/4"ID X 36"L, TMS-10	1
9	99323	BARBED FITTING, "Y" 1/4"HOSE	1
10	42134	COUPLING, QUICK-DISCONNECT 1/4"	1
11	11690	CLAMP, LOOM, 3/8"	1
12	10877	SCREW, CAP STSHW 10-24 X 1/2	1
13	42131	CLAMP, TUBE, FLOW CONTROL 3/4"	1
14	10982	TIE, CABLE, BLACK NYLON 11-1/4"	4
15	10762	CLAMP, HOSE, SPRING-BAND 3/8" GREEN	1
16	42165	ADAPTER, FEMALE 1/8FNPT X 1/4"HOSE	1
17	42130	PUMP, WATER, TILE SAW	1
18	42166	RETAINER, WATER PUMP, TMS-10	1
19	10018	SCREW, CAP 1/4-20 X 3/4	1
20	10602	WASHER, FLAT 1/4 SAE ZINC	2
21	10861	NUT, KEPS LOCK 1/4-20 ZINC	1
22	42114T	ARBOR ASSY. COMPLETE, TMS-10 (REFER TO ILLUS. 4 FOR BREAKDOWN)	1
23	10018	SCREW, CAP 1/4-20 X 3/4	4
24	10038	WASHER, LOCK 1/4 ZINC	4
25	10602	WASHER, FLAT 1/4 SAE ZINC	6
26	42128	BRACKET, BLADE GUARD RETAINER	1
27	42144	COVER, VIBRATION	1
28	42161	FLAP, SPLASH 2-1/2 X 5-1/4	1
29	10018	SCREW, CAP 1/4-20 X 3/4	1
30	10602	WASHER, FLAT 1/4 SAE ZINC	2
31	10861	NUT, KEPS LOCK 1/4-20 ZINC	1
32	42108N	DECK, MOTOR & ARBOR, TMS-10 (REFER TO ILLUS. 1, ITEM 16)	1
33	42101	PAN, TMS-10 (REFER TO ILLUS. 1, ITEM 21)	1

EdcoParts.com
888-634-4289

An iBuy Stores Company

ILLUSTRATION 4: ARBOR ASSEMBLY



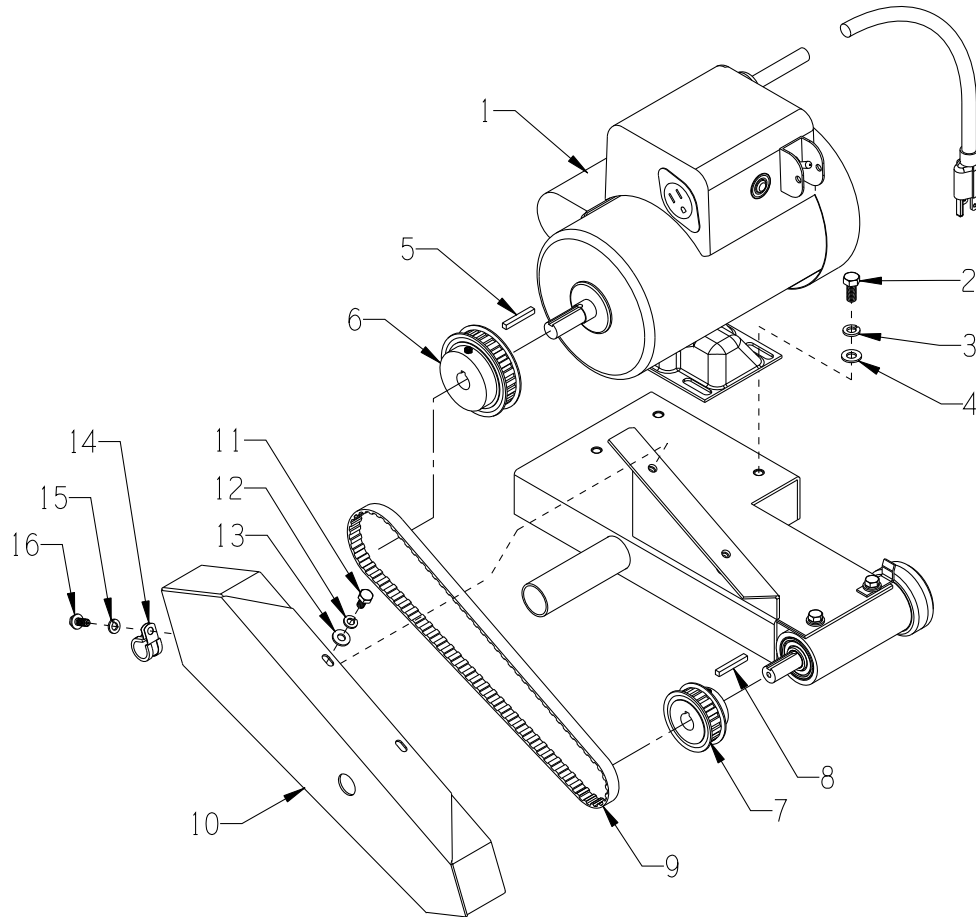
ITEM #	PART #	DESCRIPTION	QTY.
1	42114T	ARBOR ASSY. COMPLETE, TMS-10 (INCLUDES ITEMS 2 THRU 9)	1
2	42115	ARBOR SHAFT 6-3/4\"L	1
3	42116	ARBOR HOUSING	1
4	42119	BEARING, RADIAL BALL 17mm X 40mm X .563in	2
5	40036	KEY, WOODRUFF 1/8 X 3/8 (#403)	1
6	42117	ARBOR BACKING PLATE 2-1/2\"	1
7	42118	ARBOR BLADE CAP 2-1/2\"	1
8	10453	WASHER, LOCK, INT. TOOTH 3/8\"	1
9	10021	SCREW, CAP 3/8-24 X 1	1

EdcoParts.com

888-634-4289

An iBuy Stores Company

ILLUSTRATION 5: MOTOR & BELT DRIVE GROUPING



ITEM #	PART #	DESCRIPTION	QTY.
1	16036	MOTOR, LEESON 1.5HP-1P 60HZ 1650RPM	1
	16063	MOTOR, LEESON 1.5HP-1P 50HZ 1375RPM	1
2	10053	SCREW, CAP 5/16-18 X 3/4	4
3	10213	WASHER, FLAT 5/16 SAE ZINC	4
4	10801	WASHER, LOCK 5/16 ZINC	4
5	-----	KEY 3/16SQ. X 1-3/8 (INCLUDED W/ MOTOR)	1
6	42120	PULLEY, TIMING, 24L050 X 5/8"BORE	1
7	42121	PULLEY, TIMING, 17L050 X 5/8"BORE	1
8	10060	KEY 3/16SQ X 1-1/4	1
9	42124	BELT, TIMING 300L050	1
10	42112	COVER, BELT, TMS-10	1
11	10834	SCREW, CAP 1/4-20 X 1/2 ZINC	2
12	10038	WASHER, LOCK 1/4 ZINC	3
13	10602	WASHER, FLAT 1/4 SAE ZINC	2
14	11565	CLAMP, LOOM, 5/8" (SAE SIZE 10)	1
15	10038	WASHER, LOCK 1/4 ZINC	1
16	10846	SCREW, CAP STSHW 1/4-20 X 1/2	1

DECAL SHEET



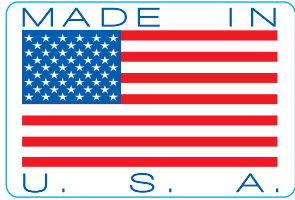
THROTTLE

CHECK OIL DAILY

exceeds 85dBA

WARNING
THERE IS NO OIL IN THIS MACHINE

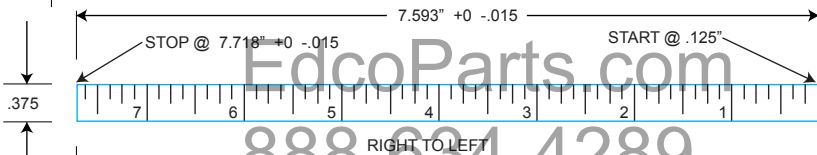
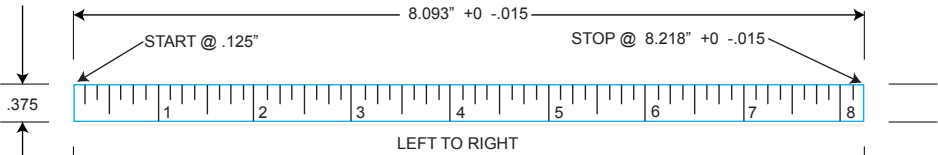
GMS-10 14 x 17
P/N 92209 RevA



CALIFORNIA PROPOSITION 65 WARNING
The engine exhaust from this product contains chemicals known to the State of California to cause cancer, birth defects or other reproductive harm.



RENTAL-TOUGH®



EdcoParts.com
888-634-4289

An iBuy Stores Company

DECALS CONTINUED

OFF

115 VOLTS

SINGLE PHASE

ON

220 VOLTS

ROTATION

**Electric-3 4 x 7
P/N 92208 Rev. A**

CAUTION

GENERATOR SIZE REQUIREMENT

↔

**RATE GENERATOR AT 3 TIMES
MOTOR RATED HORSEPOWER**

NOTE: Locate this decal so it is visible from operator's position on all electric machines

PN: 91326

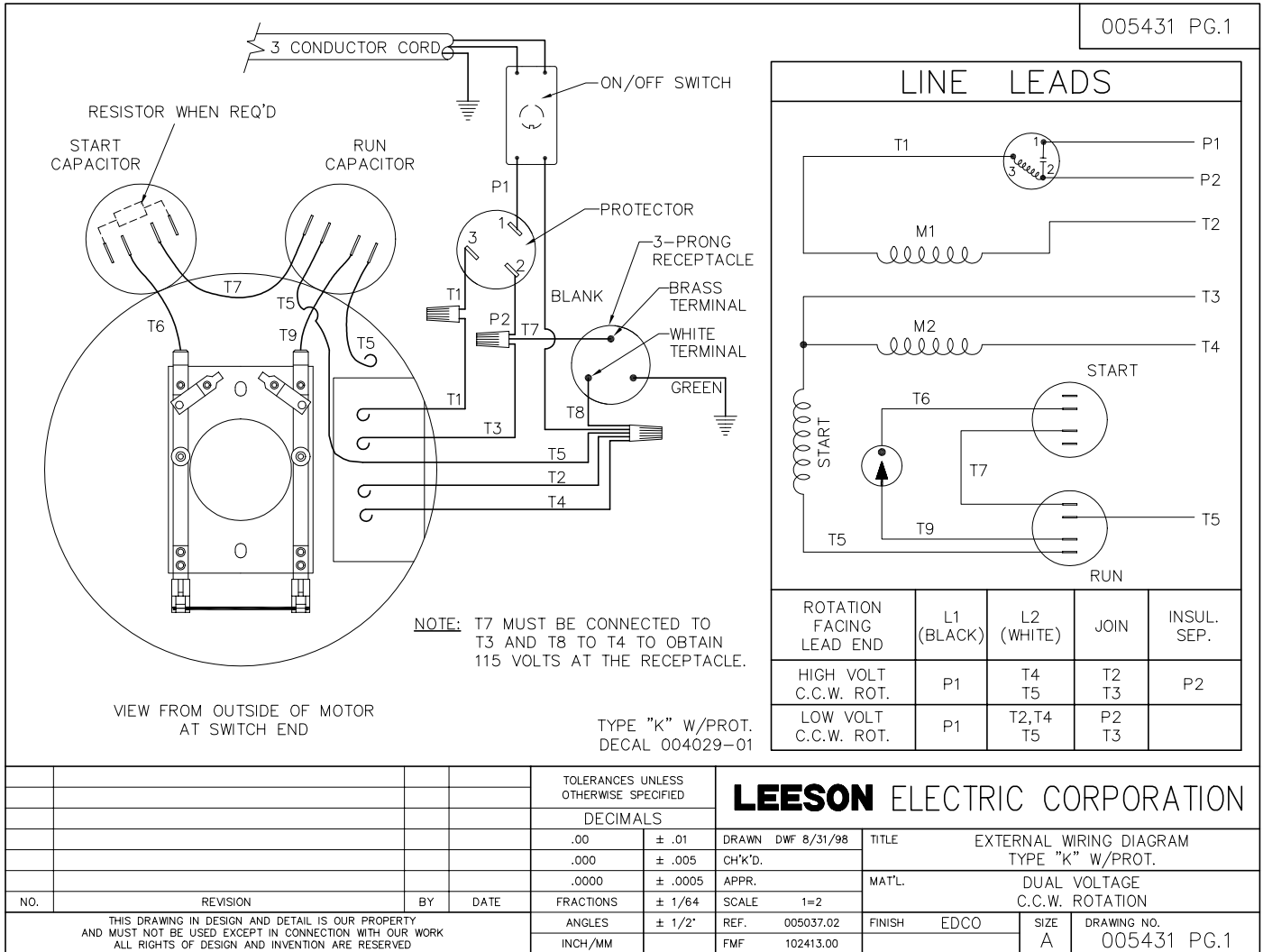
EdcoParts.com
888-634-4289

An iBuy Stores Company

WIRING DIAGRAM FOR 60 HERTZ MOTOR

LEESON CAT. NO. 102413
1.5HP 60Hz 1-PHASE

005431 PG.1



LEESON ELECTRIC CORPORATION

TOLERANCES UNLESS OTHERWISE SPECIFIED				DRAWN DWF 8/31/98				TITLE EXTERNAL WIRING DIAGRAM TYPE "K" W/PROT.			
DECIMALS				CH'K'D.				MAT'L.			
.00 ± .01				APPR.				DUAL VOLTAGE C.C.W. ROTATION			
.000 ± .005				SCALE 1=2				FINISH EDCO			
.0000 ± .0005				REF. 005037.02				SIZE A			
NO. REVISION BY DATE				FRACTIONS ± 1/64				DRAWING NO. 005431 PG.1			
				ANGLES ± 1/2'				FMF 102413.00			
THIS DRAWING IN DESIGN AND DETAIL IS OUR PROPERTY AND MUST NOT BE USED EXCEPT IN CONNECTION WITH OUR WORK ALL RIGHTS OF DESIGN AND INVENTION ARE RESERVED				INCH/MM							

REPLACEMENT PARTS	
PART #	DESCRIPTION
16139	SWITCH, TOGGLE DPST (ON/OFF)
16153	RESET BUTTON, LEESON 300002.02 CEJ53CA
16174	CAPACITOR, RUN, LEESON 003014.02, 50MFD 240V
16181	CAPACITOR, START, LEESON 003024.01, 374 MFD 115V