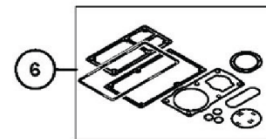
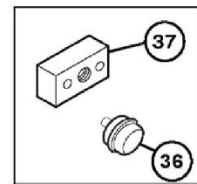
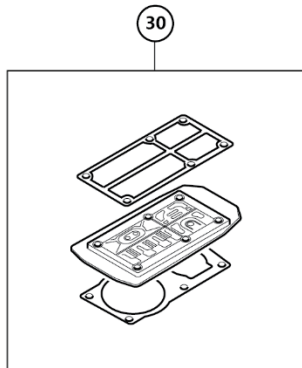
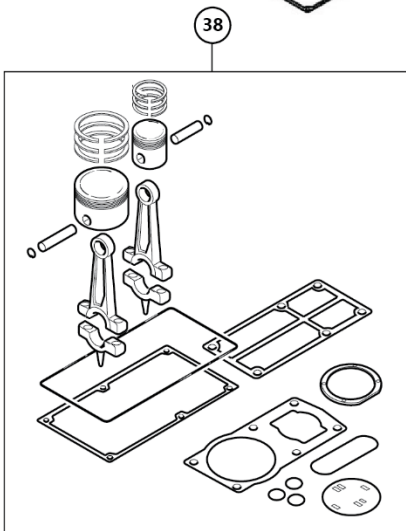
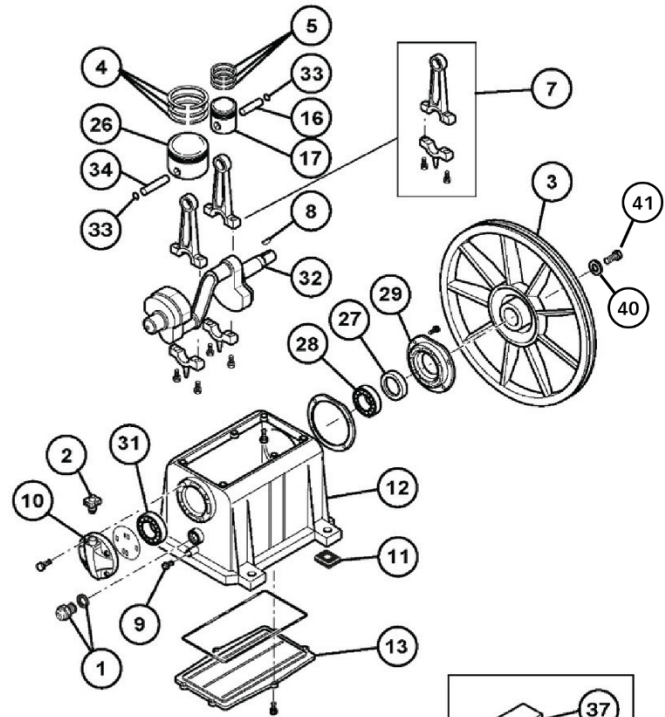
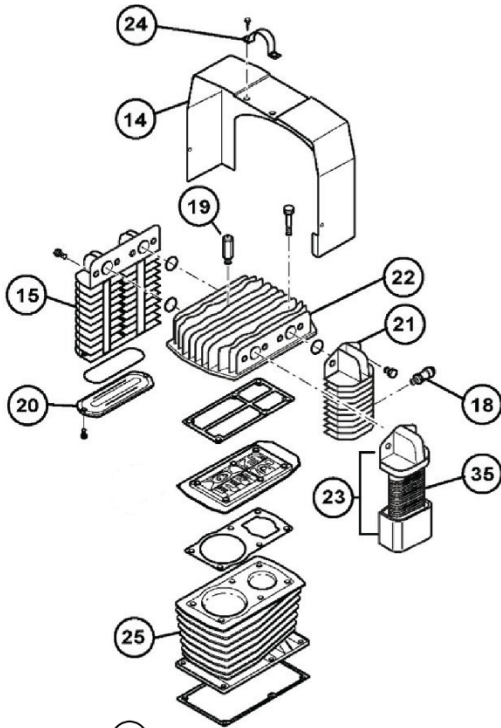
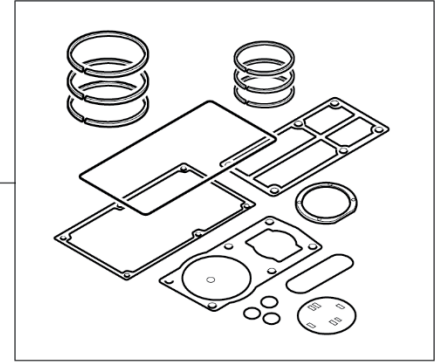


ROLAIR®

SCHEMATIC FOR MODEL
PMP22BK119



PARTS LIST FOR PMP22BK119

| Schem # | Description | Part # | Qty. | |
|---------|-------------------------------------|-----------------------------|------|-------------------------|
| 1 | Sight Gauge | FC012031000 | 1 | |
| 2 | Breather/Oil Fill Plug | FC312047000 | 1 | |
| 3 | Flywheel | FC113178007 | 1 | |
| 4 | Ring Set – LP*** | BK119RINGS/GASKETS (-O, -N) | 1 | O = 105 mm x 52 mm bore |
| 5 | Ring Set – HP*** | BK119RINGS/GASKETS (-O, -N) | 1 | N = 105 mm x 58 mm bore |
| 6 | Gasket Set | FC213153020 | 1 | |
| 7 | Connecting Rod | FC413125016 | 2 | |
| 8 | Keystock | FC018008000 | 1 | |
| 9 | Oil Drain Plug | FC011001000 | 1 | |
| 10 | End Cover | FC113141006 | 1 | |
| 11 | Mounting Pad | FC113141028 | 4 | |
| 12 | Crankcase | FC113153013 | 1 | |
| 13 | Lower Cover | FC113153007 | 1 | |
| 14 | Shroud | FC113178004 | 1 | |
| 15 | Intercooler Assembly | FC013141042 | 1 | |
| 16 | Piston Pin – HP | BK119REPKIT (-O, -N) | 1 | |
| 17 | Piston – HP | BK119REPKIT (-O, -N) | 1 | |
| 18 | Safety Valve – Aftercooler | FC047002000 | 1 | |
| 19 | Safety Valve – Intercooler | FC047086000 | 1 | |
| 20 | Intercooler Connector | FC113141040 | 1 | |
| 21 | Aftercooler | FC113163025 | 1 | |
| 22 | Head | FC113178002 | 1 | |
| 23 | Complete Filter Assembly | FC317071000 | 1 | |
| 24 | Lift Bracket | FC113178011 | 1 | |
| 25 | Cylinder – prior to Oct 2017 | FC113179001 | 1 | O = 105 mm x 52 mm bore |
| | Cylinder – after Oct 2017 | FCBR300000SGL | 1 | N = 105 mm x 58 mm bore |
| 26 | Piston – LP | BK119REPKIT (-O, -N) | 1 | |
| 27 | Oil Seal | FC010008000 | 1 | |
| 28 | Ball Bearing | FC033015000 | 1 | |
| 29 | Bearing Carrier | FC113141046 | 1 | |
| 30 | Valve Plate Assembly** | FC413153004 | 1 | |
| 31 | Ball Bearing | FC033027000 | 1 | |
| 32 | Crankshaft | FC113178006 | 1 | |
| 33 | Snap Ring | FC015013000 | 4 | |
| 34 | Piston Pin – LP | FC113125022 | 1 | |
| 35 | Filter Element Only* | NLA | 1 | |
| 36 | Metal Intake Assembly | FS10100 | 1 | |
| 37 | BK119 Intake Flange | NPTFLANGE1.0 | 1 | |
| 38 | Overhaul Kit**** (before 09/17) | BK119REPKIT-O | 1 | O = 105 mm x 52 mm bore |
| | Overhaul Kit**** (after 09/17) | BK119REPKIT-N | 1 | N = 105 mm x 58 mm bore |
| 39 | Ring & Gasket Set*** (before 09/17) | BK119RINGS/GASKETS-O | 1 | |
| | Ring & Gasket Set*** (after 09/17) | BK119RINGS/GASKETS-N | 1 | |
| 40 | Washer | FC014005001 | 1 | |
| 41 | Bolt | FC014010041 | 1 | |

*As of 08/20 Filter Element Only (Ref#35) is NLA, order the Complete Filter Assembly (Ref#23).

**Includes head and upper cylinder gaskets

***Rings for both pistons and gasket set (#6)

****Two connecting rod/piston assemblies, ring set and gasket set (#4,5,6,7,16,17,26,33 & 34)