

# PARTS MANUAL



*Mikasa* SERIES  
**MODEL MVC-88VGE/VGEW**  
**ONE-WAY PLATE COMPACTOR**  
**(ROBIN EX170D54011 GASOLINE ENGINE)**

Revision #2 (07/13/20)

THIS MANUAL MUST ACCOMPANY THE EQUIPMENT AT ALL TIMES.

# MVC-88VGE/VGEW PLATE COMPACTOR — TABLE OF CONTENTS

## MVC-88VGE/VGEW Plate Compactor

Table Of Contents .....	2
Explanation Of Codes In Remarks Column .....	4
Suggested Spare Parts .....	5

## Component Drawings

Nameplate and Decals .....	6-7
Body Assembly .....	8-9
Vibrator Assembly .....	10-11
Sprinkler Assembly (Option) .....	12-13
Transport Wheel Assembly (Option) .....	14-15

### NOTICE

Specification and part number are subject to change without notice

## Robin EX170D54011 ENGINE DRAWINGS

Air Cleaner Assembly .....	16-17
Camshaft Assembly .....	18-19
Carburetor Assembly .....	20-21
Crankcase Assembly .....	22-23
Crankshaft and Piston Assembly .....	24-25
Cylinder Head Assembly .....	26-27
Fuel Tank Assembly .....	28-29
Governor Assembly .....	30-31
Ignition Coil/Flywheel Assembly .....	32-33
Muffler Assembly .....	34-35
Recoil Starter Assembly .....	36-37
Tool Kit Assembly .....	38-39

# MVC-88VGE/VGEW— EXPLANATION OF CODES IN REMARKS COLUMN

The following section explains the different symbols and remarks used in the Parts section of this manual. Use the help numbers found on the back page of the manual if there are any questions.

## NOTICE

The contents and part numbers listed in the parts section are subject to change **without notice**. Multiquip does not guarantee the availability of the parts listed.

## SAMPLE PARTS LIST

NO.	PART NO.	PART NAME	QTY.	REMARKS
1	12345	BOLT.....	1	INCLUDES ITEMS W/%
2%		WASHER, 1/4 IN.....		NOT SOLD SEPARATELY
2%	12347	WASHER, 3/8 IN....	1	MQ-45T ONLY
3	12348	HOSE .....	A/R	MAKE LOCALLY
4	12349	BEARING .....	1	S/N 2345B AND ABOVE

## NO. Column

**Unique Symbols** — All items with same unique symbol

(@, #, +, %, or >) in the number column belong to the same assembly or kit, which is indicated by a note in the “Remarks” column.

**Duplicate Item Numbers** — Duplicate numbers indicate multiple part numbers, which are in effect for the same general item, such as different size saw blade guards in use or a part that has been updated on newer versions of the same machine.

## NOTICE

When ordering a part that has more than one item number listed, check the remarks column for help in determining the proper part to order.

## PART NO. Column

**Numbers Used** — Part numbers can be indicated by a number, a blank entry, or TBD.

TBD (To Be Determined) is generally used to show a part that has not been assigned a formal part number at the time of publication.

A blank entry generally indicates that the item is not sold separately or is not sold by Multiquip. Other entries will be clarified in the “Remarks” Column.

## QTY. Column

**Numbers Used** — Item quantity can be indicated by a number, a blank entry, or A/R.

A/R (As Required) is generally used for hoses or other parts that are sold in bulk and cut to length.

A blank entry generally indicates that the item is not sold separately. Other entries will be clarified in the “Remarks” Column.

## REMARKS Column

Some of the most common notes found in the “Remarks” Column are listed below. Other additional notes needed to describe the item can also be shown.

**Assembly/Kit** — All items on the parts list with the same unique symbol will be included when this item is purchased.

Indicated by:

“INCLUDES ITEMS W/(unique symbol)”

**Serial Number Break** — Used to list an effective serial number range where a particular part is used.

Indicated by:

“S/N XXXXX AND BELOW”

“S/N XXXX AND ABOVE”

“S/N XXXX TO S/N XXX”

**Specific Model Number Use** — Indicates that the part is used only with the specific model number or model number variant listed. It can also be used to show a part is NOT used on a specific model or model number variant.

Indicated by:

“XXXXX ONLY”

“NOT USED ON XXXX”

**“Make/Obtain Locally”** — Indicates that the part can be purchased at any hardware shop or made out of available items. Examples include battery cables, shims, and certain washers and nuts.

**“Not Sold Separately”** — Indicates that an item cannot be purchased as a separate item and is either part of an assembly/kit that can be purchased, or is not available for sale through Multiquip.

## MVC-88VGE/VGEW — SUGGESTED SPARE PARTS

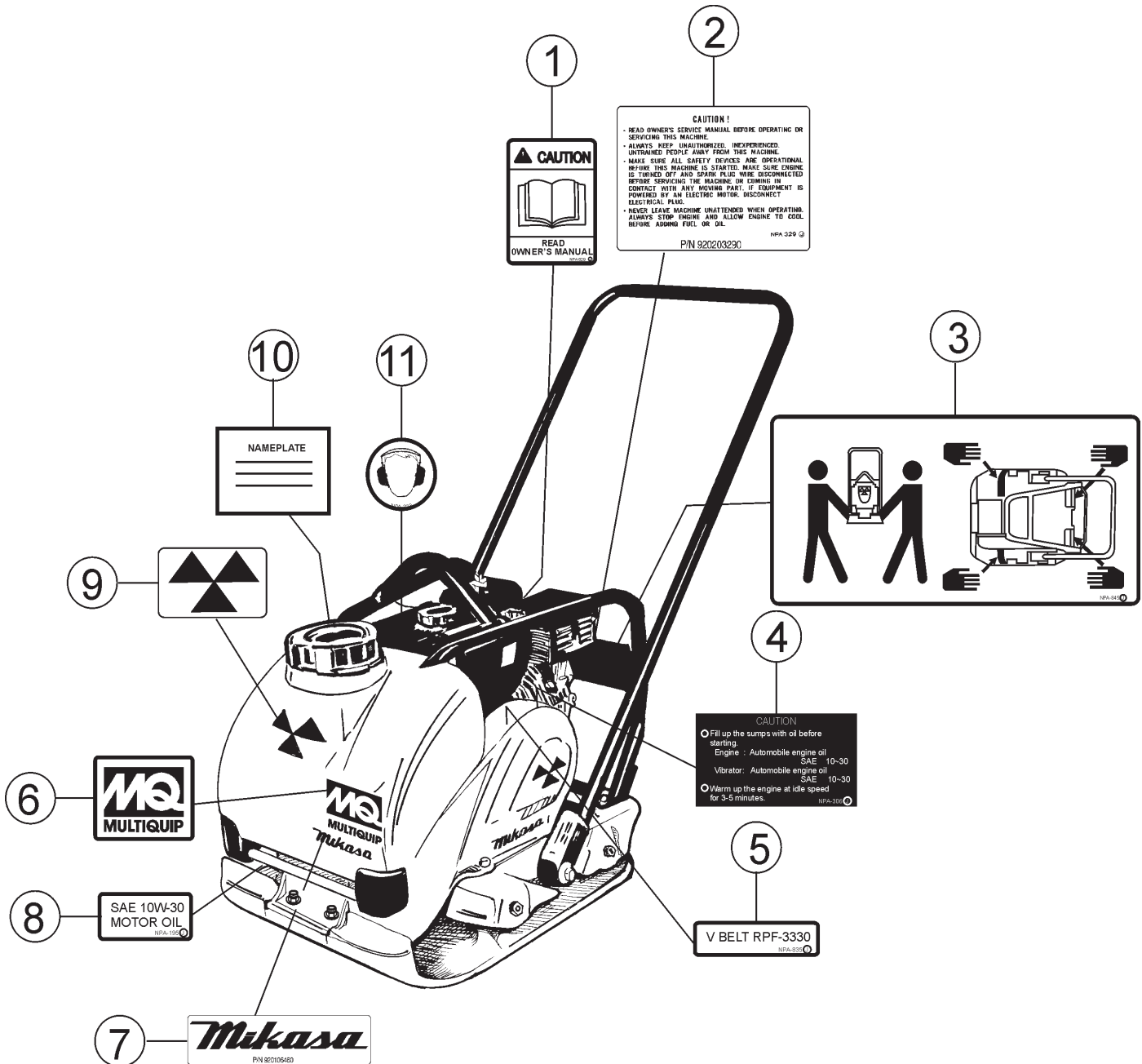
MVC-88VGE/VGEW 1 TO 5 UNITS WITH ROBIN  
EX170D54011 ENGINE

### *1 to 5 Units*

<u>Qty.</u>	<u>P/N</u>	<u>Description</u>
3 .....	070100332 .....	V-BELT
5 .....	0650149670 .....	SPARK PLUG
1 .....	2825011118 .....	ROPE, RECOIL STARTER
5 .....	2773261107 .....	ELEMENT, AIR CLEANER
1 .....	0430430060 .....	CAP, FUEL TANK
1 .....	0641360010 .....	FUEL FILTER, FUEL TANK
4 .....	939010140 .....	SHOCK ABSORBER

# MVC-88VGE/VGEW— NAMEPLATE AND DECALS

## NAME PLATE AND DECALS



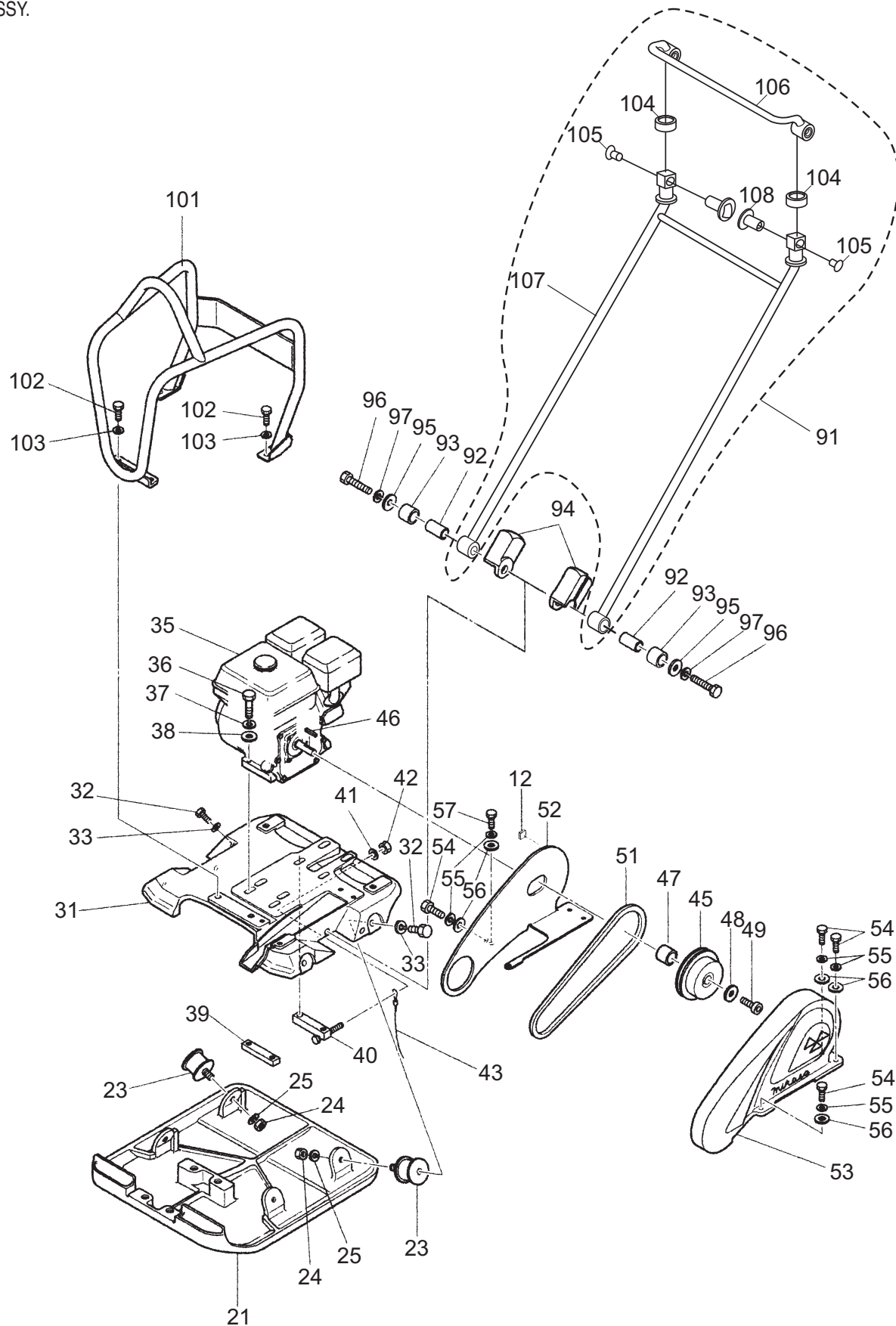
# MVC-88VGE/VGEW— NAMEPLATE AND DECALS

## NAME PLATE AND DECALS

<u>NO</u>	<u>PART NO</u>	<u>PART NAME</u>	<u>QTY.</u>	<u>REMARKS</u>
1	920207690	DECAL, READ OWNERS MANUAL .....	1 .....	NPA-769
2	920203290	DECAL, CAUTION .....	1 .....	NPA-329
3	920208450	DECAL, LIFTING .....	1 .....	NPA-845
4	920203060	DECAL, CAUTION (START ENG/VIBR) .	1 .....	NPA-306
5	920208350	DECAL, V- BELT RPF-3330 .....	1 .....	NPA-835
6	920201580	DECAL, MQ LOGO .....	2 .....	NPA-158
7	920105070	DECAL, MIKASA LOGO (NAME) .....	1 .....	NPA-507
8	920201950	DECAL, MOTOR OIL .....	1 .....	NPA-195
9	920101410	DECAL, MIKASA LOGO (TRIANGLE) ...	1 .....	NPA-141
10		NAMEPLATE, SERIAL NO. ....	1 .....	CONTACT MQ PARTS DEPT. W/MODEL & S/N
11	920203330	EAR PROTECTION LABEL .....	1 .....	NPA-333

# MVC-88VGE/VGEW—BODY ASSY.

BODY ASSY.



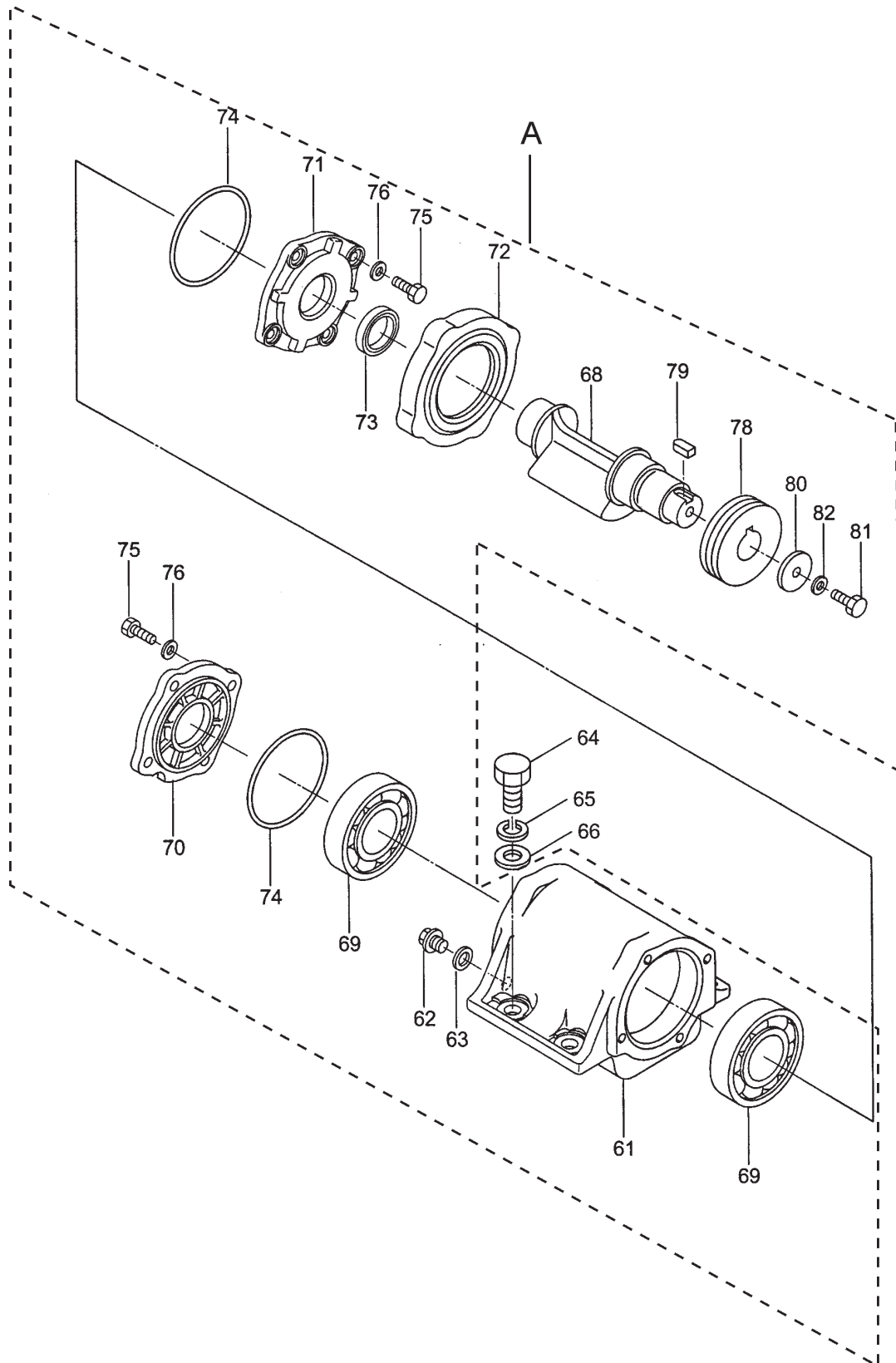
# MVC-88VGE/VGEW— BODY ASSY.

## BODY ASSY.

<u>NO</u>	<u>PART NO</u>	<u>PART NAME</u>	<u>QTY.</u>	<u>REMARKS</u>
12	416454360	RUBBER PLATE 25X25X8	1	
21	416115973	VIBRATING PLATE	1	
23	939010140	SHOCK ABSORBER 50D-45H	4	
24	020310080	NUT M10	4	
25	030210250	WASHER, LOCK M10	4	
31	416115980	BASE	1	
32	001221025	BOLT 10X25 T	4	
33	030210250	WASHER, LOCK M10	4	
35	911221701	ENGINE ASSY. EX170D54011	1	
36	001220845	BOLT 8X45 T	4	
37	030208200	WASHER, LOCK M8	4	
38	031108160	WASHER, FLAT M8	4	
39	404412290	ENGINE NUT	1	
40	416452780	ENGINE NUT (W/BOLT)	1	
41	031108160	WASHER, FLAT M8	1	
42	022710809	NYLON NUT M8	1	
43	959404350	EARTH WIRE	1	
45	416338990	CLUTCH ASSY.	1	
46	2062600113	KEY 4.77 X 4.77 X 35	1	
47	416452800	COLLAR 19.05-25-15.6	1	
48	952400130	WASHER	1	
49	009110004	SOCKET HEAD BOLT 5/16X24	1	
51	070100332	V-BELT RPF-3330	1	
52	416115950	BELT COVER (INSIDE)	1	
53	416010020	BELT COVER	1	
54	001220825	BOLT 8X25 T	4	
55	030208200	WASHER, LOCK M8	5	
56	031108160	WASHER, FLAT M8	1	
57	001220820	BOLT 8X20 T	1	
91	416910070	VIB. PROOF HANDLE .....	1	INCLUDES ITEMS W/ #
92	416452730	COLLAR 13-20-44	2	
93	404433430	RUBBER 20X32X28.5/52H	2	
94	416452360	HANDLE STOPPER	2	
95	952405600	WASHER 12.5 X 35 X 4.5	2	
96	001211253	BOLT 12X65 H	2	
97	030212300	WASHER, LOCK M12	2	
101	416115940	GUARD HOOK	1	
102	001221025	BOLT 10X25 T	4	
103	030210250	WASHER, LOCK M10	4	
104#	416459340	RUBBER	2	
105#	009120407	BOLT, SUNK HEAD 10X20T	2	
106#	416217070	GRIP, HANDLE	1	
107#	416118520	VIB. PROOF HANDLE	1	
108#	416459320	NUT, VIB. PROOF HANDLE	2	

# MVC-88VGE/VGEW—VIBRATOR ASSY.

VIBRATOR ASSY.



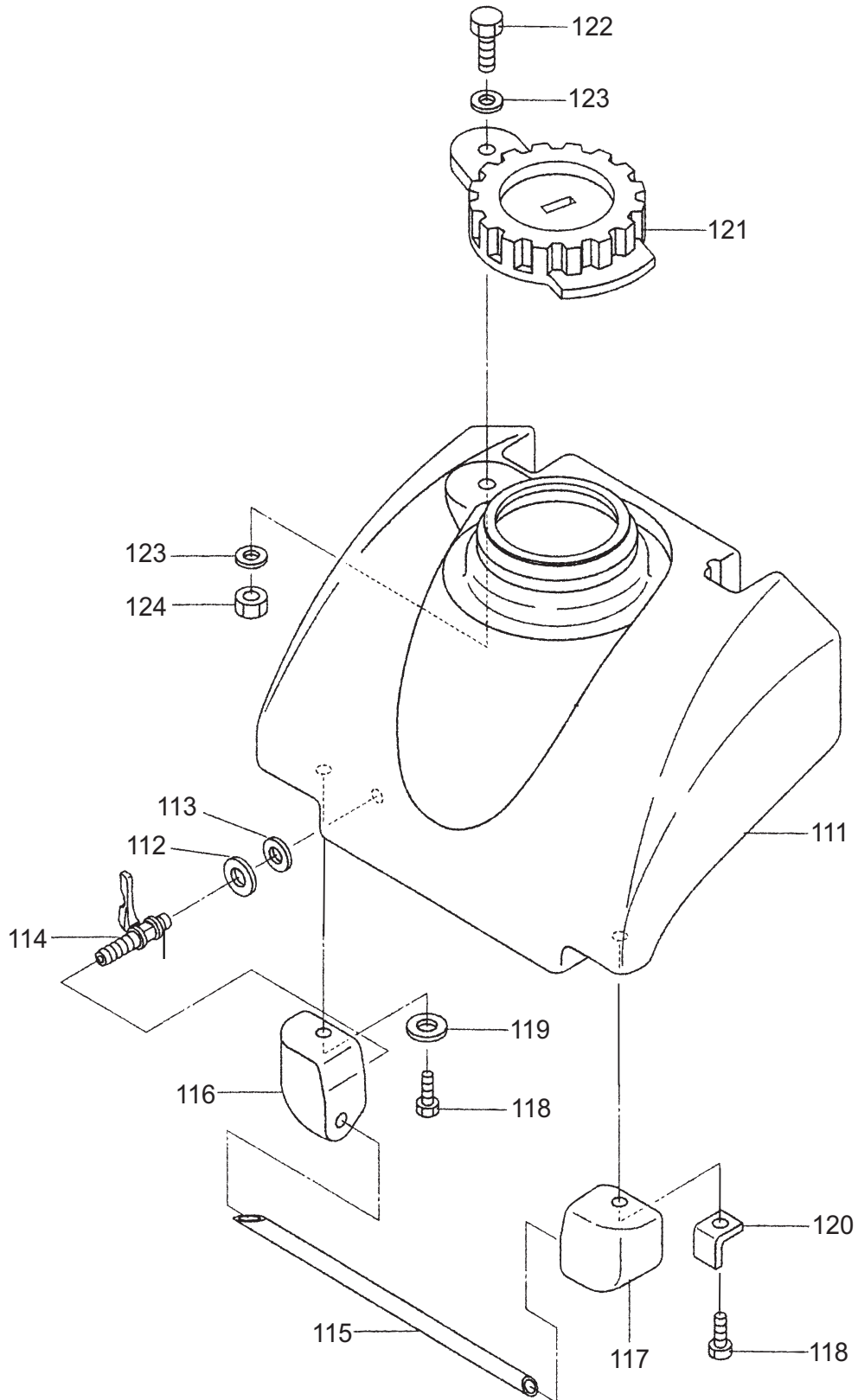
# MVC-88VGE/VGEW—VIBRATOR ASSY.

VIBRATOR ASSY.

<u>NO</u>	<u>PART NO</u>	<u>PART NAME</u>	<u>QTY.</u>	<u>REMARKS</u>
A	416910030	VIBRATOR ASSY .....	1 .....	INCLUDES ITEMS W/ #
61#	416115991	VIBRATING CASE	1	
62#	953400270	PLUG 1/4X14 10L	1	
63#	953405260	PACKING 1/4	1	
64	001221640	BOLT 16X40 T	4	
65	030216400	WASHER, LOCK M16	4	
66	031116260	WASHER, FLAT M16	4	
68#	416215530	ECCENTRIC ROTATOR	1	
69#	040306211	BEARING 6211C3	2	
70#	416338900	CASE COVER (R)	1	
71#	416338910	CASE COVER (L)	1	
72#	416338920	BELT COVER GUARD	1	
73#	060403060	OIL SEAL TC-35488	1	
74#	050101000	O-RING G-100	2	
75#	001220825	BOLT 8X25 T	8	
76#	030208200	WASHER, LOCK M8	8	
78#	416454430	PULLEY A1-28-81-20	1	
79#	951405240	KEY 7X7X19 R	1	
80#	952404250	WASHER 11X40X4	1	
81#	001221025	BOLT 10X25 T	1	
82#	030210250	WASHER, LOCK M10	1	

# MVC-88VGE/VGEW—SPRINKLER ASSY. (OPTION)

SPRINKLER ASSY. (OPTION)



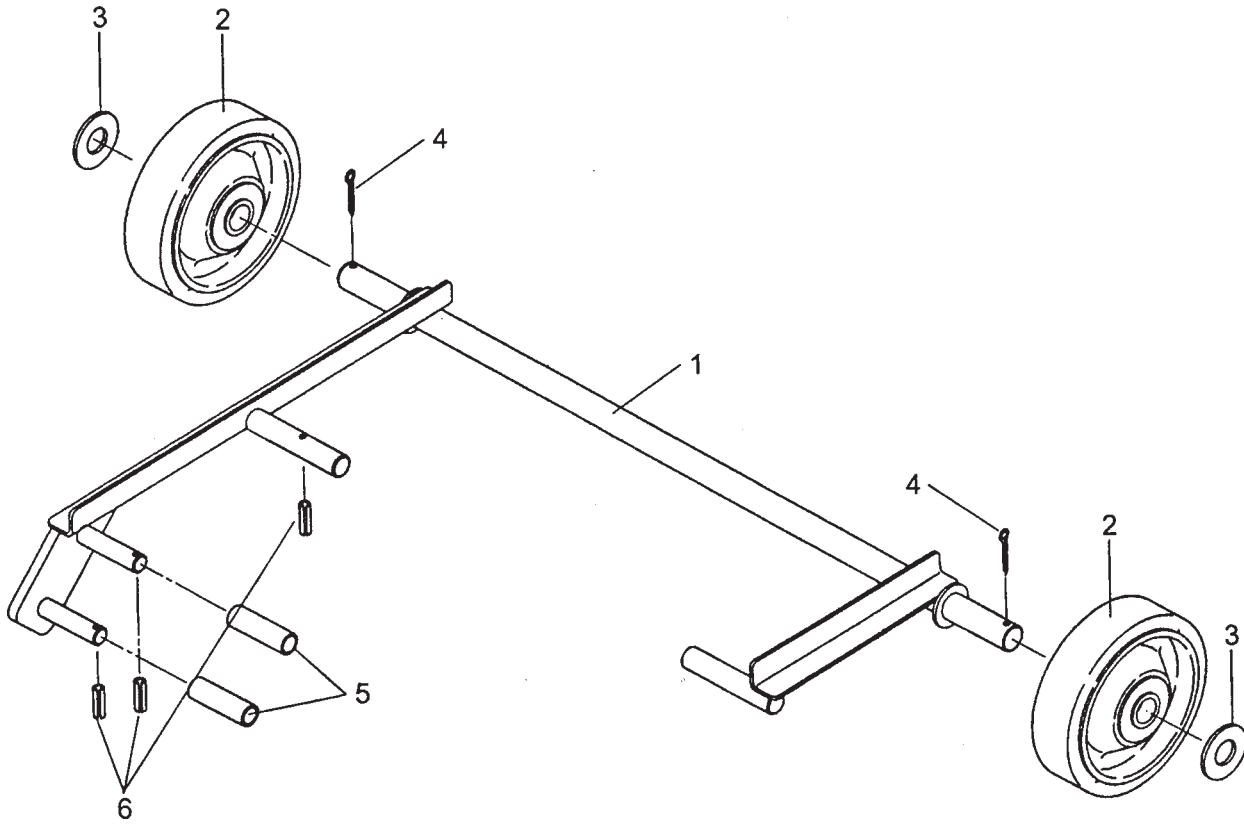
# MVC-88VGE/VGEW—SPRINKLER ASSY. (OPTION)

## SPRINKLER ASSY. (OPTION)

<u>NO</u>	<u>PART NO</u>	<u>PART NAME</u>	<u>QTY.</u>	<u>REMARKS</u>
111	416910010	WATER TANK (W/CAP ONLY) .....	1 .....	REPLACES 416116010, INCLUDES ITEMS W/#
112	033910050	WASHER 14.5X30X1.6	1	
113	953406390	PACKING 13X28X2	1	
114	954403241	COCK PT1/4	1	
115	416338930	SPRINKLING PIPE	1	
116	416338940	PIPE HOLDER (L)	1	
117	416452750	PIPE HOLDER (R)	1	
118	001220825	FLANGE BOLT 8X25	2	
119	416453780	PACKING 8X19X2T	3	
120	416452790	STAY, PIPE HOLDER	1	
121#	954300342	CAP, WATER TANK (NBR)	1	
122#	001241030	BOLT 10X30	1	
123#	033910010	WASHER 10.5X21X2	2	
124#	022910180	NYLON NUT M10	1	

# MVC-88VGE/VGEW—TRANSPORT WHEEL ASSY. (OPTION)

TRANSPORT WHEEL ASSY. (OPTION )



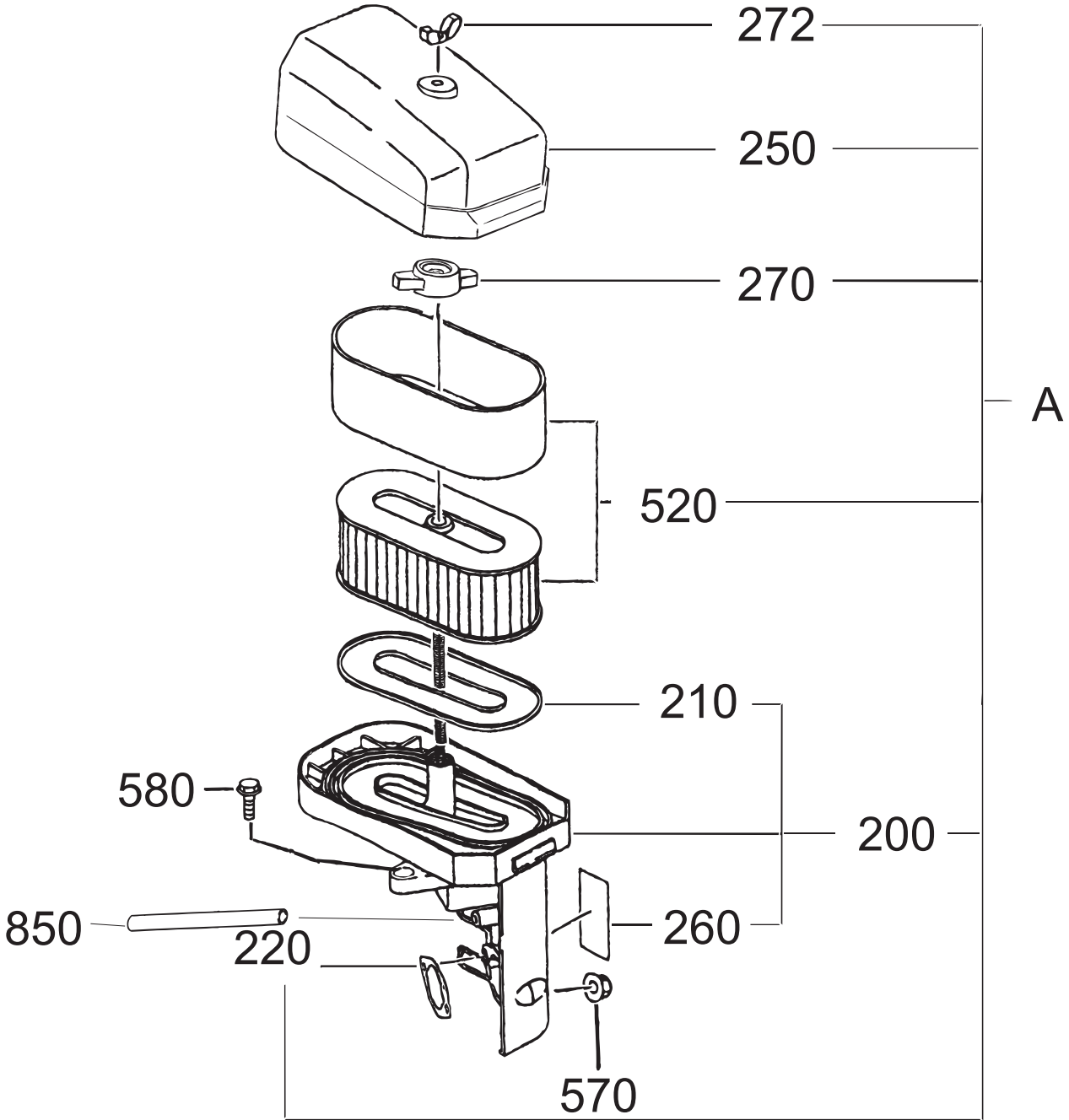
## MVC-88VGE/VGEW—TRANSPORT WHEEL ASSY. (OPTION)

### TRANSPORT WHEEL ASSY. (OPTION )

<u>NO</u>	<u>PART NO</u>	<u>PART NAME</u>	<u>QTY.</u>	<u>REMARKS</u>
1	416116160	WHEEL SHAFT	1	
2	959404310	WHEEL 150X42	2	
3	031120320	WASHER, FLAT M20	2	
4	025203030	SPLIT COTTER PIN 3X30	2	
5	416454150	ROLLER	2	
6	025403025	SPRING PIN 3X25	3	

**ROBIN EX170D54011 ENGINE — AIR CLEANER ASSY.**

AIR CLEANER ASSY.



## ROBIN EX170D54011 ENGINE — AIR CLEANER ASSY.

### AIR CLEANER ASSY.

<u>NO.</u>	<u>PART NO.</u>	<u>PART NAME</u>	<u>QTY.</u>	<u>REMARKS</u>
A	2773261500	AIR CLEANER AY. ....	1	INCLUDES ITEMS W/ #
200#	2773263008	BASE CP CLEANER	1	
210#	2773261008	PACKING CLEANER	1	
220#	2773260408	GASKET, CLEANER	1	
250#	2773264008	COVER CP CLEANER	1	
260#	2773260908	LABEL, THROTTLE	1	
270#	2773274108	WING NUT(P)	1	
272#	2773274008	WING NUT	1	
272#	2773274308	WING NUT	1	
520#	2773261107	CLEANER ELEMENT	1	
570	0023806000	FLANGE NUT	2	
580	0110060050	FLANGE BOLT	1	
850	0851080000	RUBBER PIPE, 8X11XM	1	



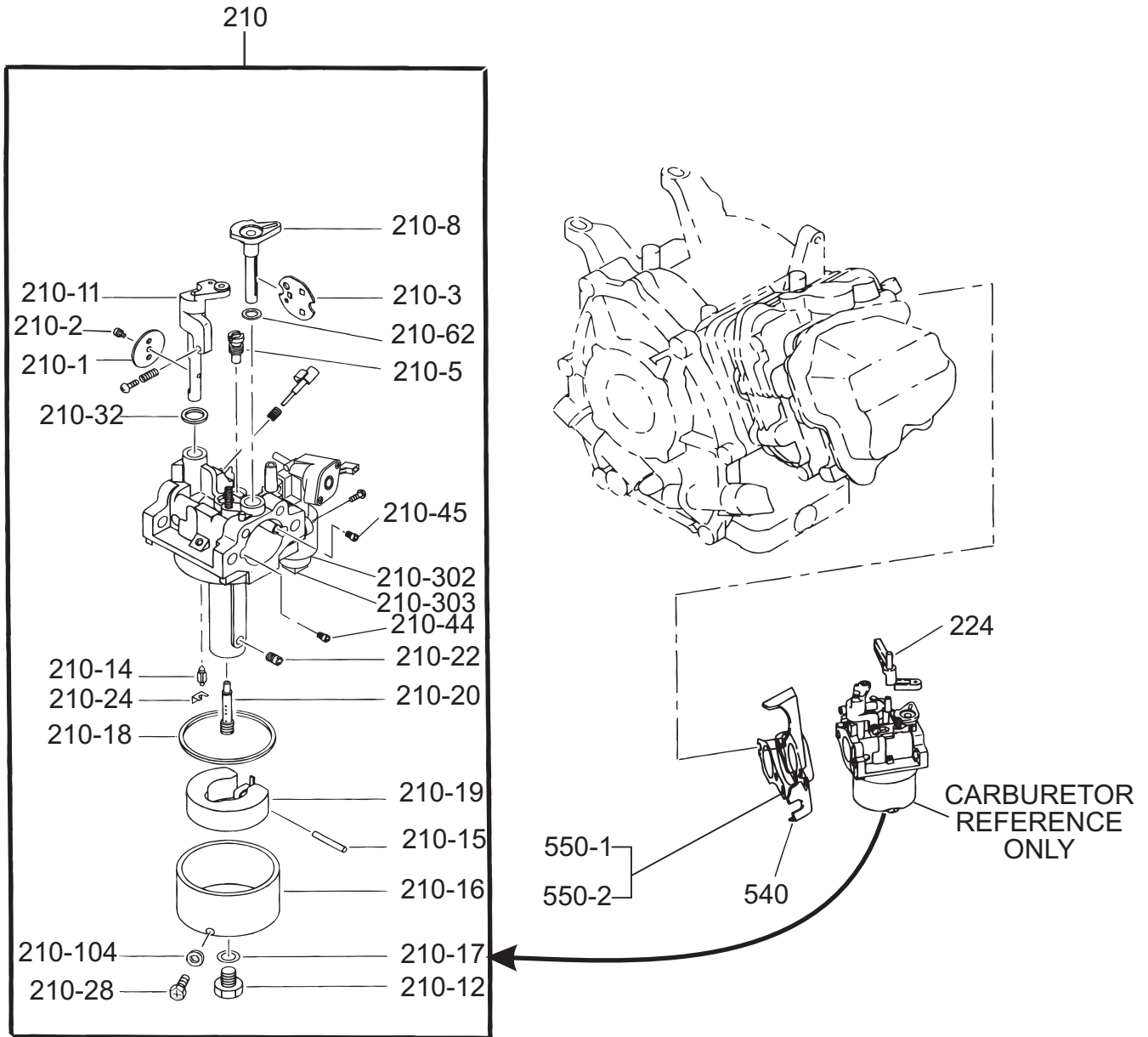
# ROBIN EX170D54011 ENGINE — CAMSHAFT ASSY.

CAMSHAFT ASSY.

<u>NO</u>	<u>PART NO</u>	<u>PART NAME</u>	<u>QTY.</u>	<u>REMARKS</u>
10	2773160101	CAMSHAFT .....	1 .....	INCLUDES ITEMS W/%
25	2773510103	PIN, CAMSHAFT	1	
27	0240060010	O-RING	1	
34%	2773860103	PIN, SPRING	1	
35%	2773640103	RELEASE LEVER	1	
37%	2773650103	CLIP	1	
38%	2773870103	RETURN SPRING	1	
150	2773560111	CHAIN, TIMING	1	
160	2773691103	TENSIONER	1	
163	2773710103	SPRING, TENSIONER	1	
166	2773690203	PIN, TENSIONER	1	
170	2773691313	CHAIN, GUIDE	1	

# EX-170D40050 — CARBURETOR ASSY.

CARBURETOR ASSY.



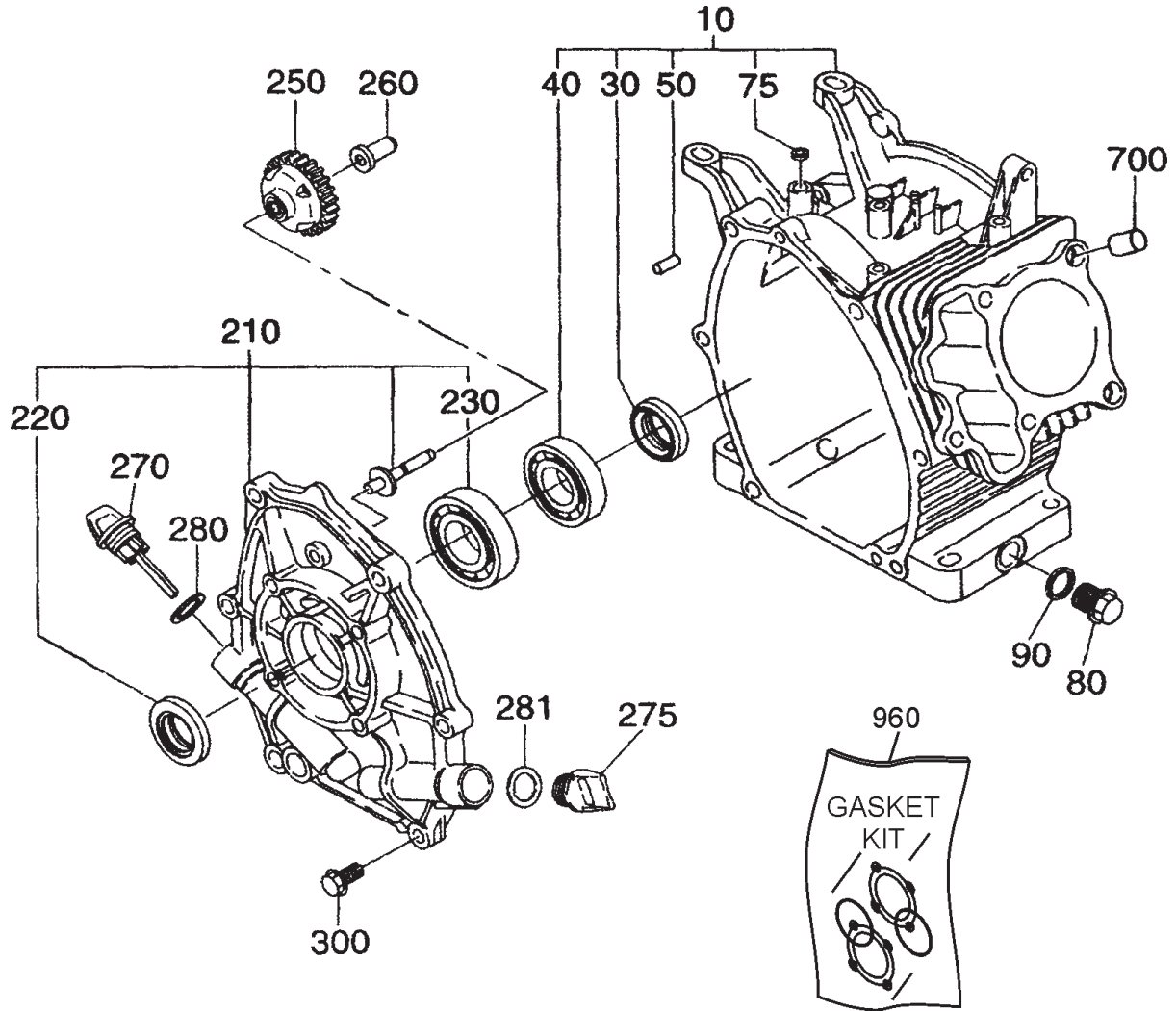
# EX-170D40050 — CARBURETOR ASSY.

## CARBURETOR ASSY.

<u>NO</u>	<u>PART NO</u>	<u>PART NAME</u>	<u>QTY.</u>	<u>REMARKS</u>
210	2776230220	CARBURETOR ASSY. ....	1.....	INCLUDES ITEMS W/ *
210-1*	2776253508	THROTTLE VALVE	1	
210-2*	2096235108	SCREW	1	
210-3*	2776252508	CHOKE VALVE	1	
210-5*	2466242008	PILOT JET	1	
210-8*	2776252008	CHOKE LEVER	1	
210-11*	2776253108	THROTTLE SHAFT	1	
210-12*	2276245108	BOLT	1	
210-14*	2776250008	NEEDLE	1	
210-15*	2776251508	FLOAT PIN	1	
210-16*	2776250608	FLOAT BODY	1	
210-17*	2146245008	PACKING	1	
210-18*	2146254008	FLOAT CHAMBER PACKING	1	
210-19*	2266250608	FLOAT ASSY.	1	
210-20*	2776244008	MAIN NOZZLE	1	
210-22*	2266241208	MAIN JET	1	
210-24*	2266270108	CLIP	1	
210-28*	2776236008	BOLT	1	
210-32*	2466239008	SEAL, THROTTLE	1	
210-44*	2486241008	AIR JET	1	
210-45*	1066241008	AIR JET (PILOT)	1	
210-62*	2366268008	SEAL	1	
210-104*	2366254108	PACKING	1	
210-302*	2776211018	PACKING	1	
210-303*	2776210018	CUP	1	
224	2774380101	CHOKE LEVER	1	
540	27732902J1	INSULATOR	1	
550-1	27735902J3	GASKET (1), INSULATOR	1	
550-2	27735903J3	GASKET (2), INSULATOR	1	

# ROBIN EX170D54011 ENGINE — CRANKCASE ASSY.

CRANKCASE ASSY.



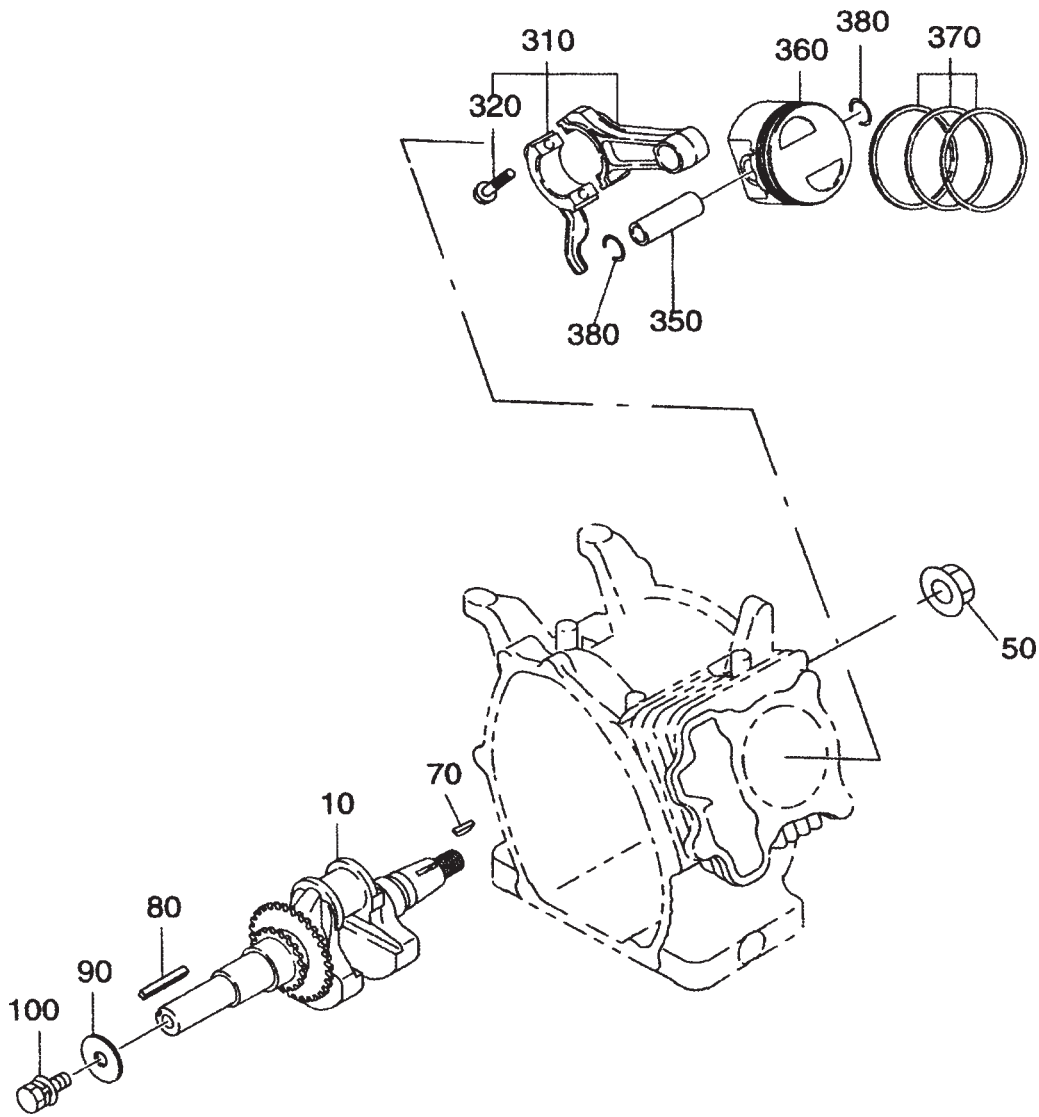
# ROBIN EX170D54011 ENGINE — CRANKCASE ASSY.

CRANKCASE ASSY.

<b>NO</b>	<b>PART NO</b>	<b>PART NAME</b>	<b>QTY.</b>	<b>REMARKS</b>
10	2771010241	CRANKCASE CP, W/OIL SENSOR .....	1 .....	INCLUDES ITEMS W/*
30*	0440250200	OIL SEAL	1	
40*	0600280021	BALL BEARING	1	
50*	2771501103	PIPE KNOCK	2	
75*	0440060020	OIL SEAL	1	
80	0401140030	PLUG	2	
90\$	0211140020	GASKET	2	
210	2771100221	MAIN BEARING COVER CP .....	1 .....	INCLUDES ITEMS W/%
220%	0440250210	OIL SEAL	1	
230%	0600250140	BALL BEARING	1	
250	27745004H1	GOVERNOR GEAR	1	
260	2774190103	GOVERNOR SLEEVE	1	
270	2776360113	OIL GAUGE	1	
275	2776500103	FILLER, PLUG	1	
280\$	0213160020	GASKET	1	
281	0213160020	GASKET	1	
300	0010408350	FLANGE BOLT	6	
700	2771501103	PIPE KNOCK	2	
960	2779900107	GASKET SET .....	1 .....	INCLUDES ITEMS W/ \$, ITEMS 620 AND 690 IN CYLINDER HEAD ASSY, AND ITEM 340 IN MUFFLER ASSY

# EX-170D40050 — CRANKSHAFT/PISTON ASSY.

CRANKSHAFT/PISTON ASSY.



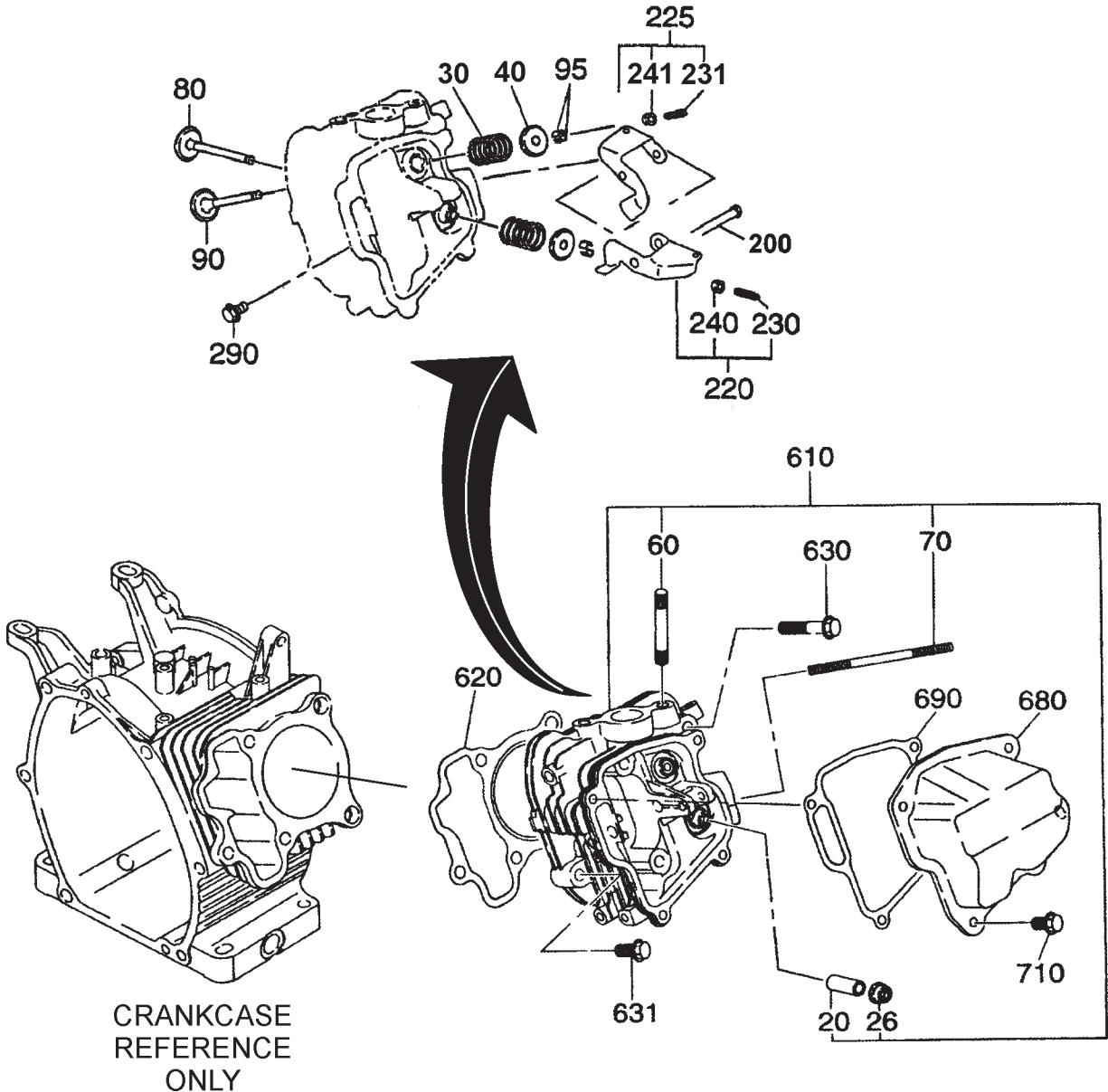
# EX-170D40050 — CRANKSHAFT/PISTON ASSY.

## CRANKSHAFT/PISTON ASSY.

<u>NO</u>	<u>PART NO</u>	<u>PART NAME</u>	<u>QTY.</u>	<u>REMARKS</u>
10	2772090141	CRANKSHAFT	1	
50	0180140020	FLANGE NUT	1	
70	0323030010	WOODRUFF KEY	1	
80	2062600113	KEY	1	
90	0200080050	WASHER	1	
100	0011308200	BOLT & WASHER ASSY.	1	
310	2772250110	CONNECTING ROD ASSY. ....	1	INCLUDES ITEMS W/*
320*	2772300103	CONNECTING ROD BOLT	2	
350	2772330103	PISTON PIN	1	
360	27723401J3	PISTON STD.	1	
360	27723403H3	PISTON, 0.25 O.S.	1	
360	27723404H3	PISTON, 050 O.S.	1	
370	2772350117	PISTON RING SET STD.	1	
370	2772350217	PISTON RING SET, 0.25 O.S.	1	
370	2772350317	PISTON RING SET, 0.5 O.S.	1	
380	0565160010	CLIP	2	

**EX-170D40050 — CYLINDER HEAD ASSY.**

CYLINDER ASSY.



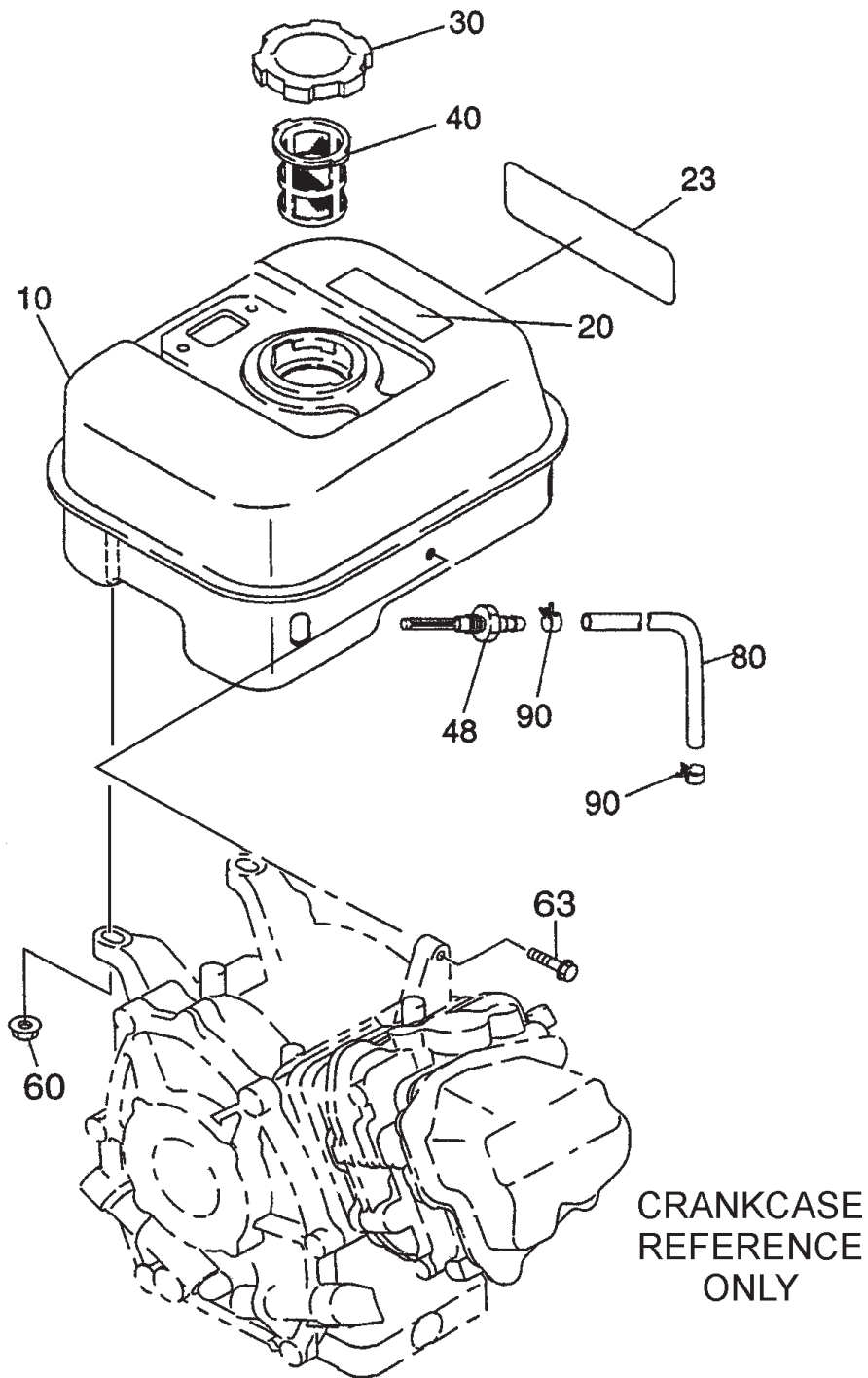
# EX-170D40050 — CYLINDER HEAD ASSY.

## CYLINDER ASSY.

<u>NO</u>	<u>PART NO</u>	<u>PART NAME</u>	<u>QTY.</u>	<u>REMARKS</u>
20#	2371420203	VALVE GUIDE	2	
26#	2771601001	STEM SEAL	1	
30	2793360103	VALVE, SPRING	2	
40	2693370103	SPRING RETAINER	2	
60#	0105080250	STUD	2	
70#	0105060351	STUD	2	
80	27733401H3	INTAKE VALVE	1	
90	27733501H3	EXHAUST VALVE	1	
95	13210KA031	COLLET VALVE	4	
200	2773500201	PIN, ROCKER	1	
200-1	2773500203	PIN (ONLY), ROCKER	1	
200-2	0031305000	CLIP 104#		
220	2773610100	ROCKER, ARM ASSY. IN .....	1	INCLUDES ITEMS W/ +
225	2773620200	ROCKER, ARM EX .....	1	INCLUDES ITEMS W/ \$
230+	0149050020	ADJUSTING SCREW	1	
231\$	0149050020	ADJUSTING SCREW	1	
240+	0170050030	NUT	1	
241\$	0170050030	NUT	1	
290	0110060020	FLANGE BOLT	1	
610	2771300111	CYLINDER HEAD .....	1	INCLUDES ITEMS W/ #
620	2771500123	GASKET HEAD	1	
630	0110080240	FLANGE BOLT	4	
631	0010408350	FLANGE BOLT	1	
680	2771550101	ROCKER, COVER	1	
690	2771600113	GASKET, LOCKER COVER	1	
710	0110060020	FLANGE BOLT	4	

# EX-170D40050 — FUEL TANK ASSY.

FUEL TANK ASSY.

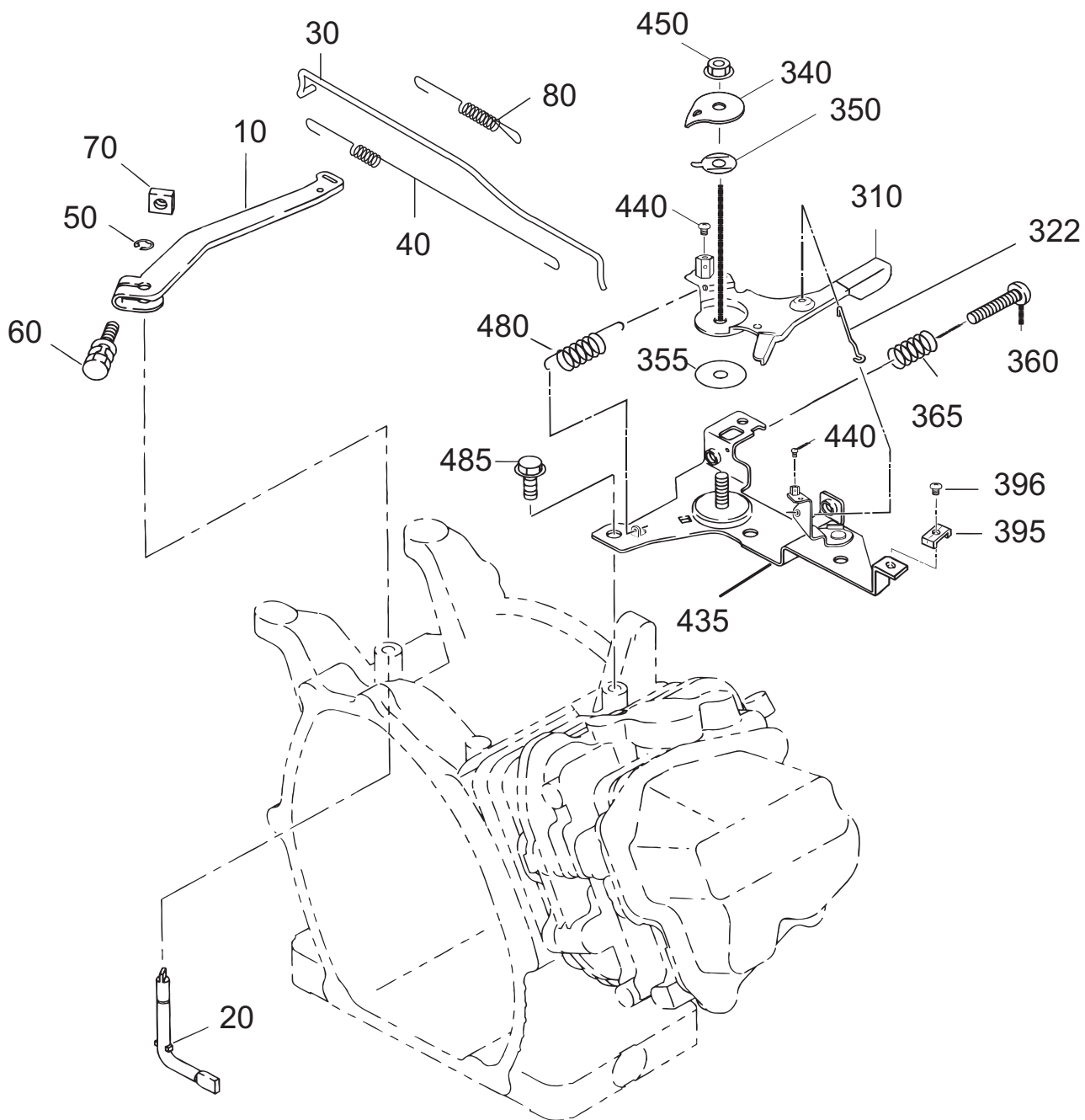


## FUEL TANK ASSY.

<b><u>NO</u></b>	<b><u>PART NO</u></b>	<b><u>PART NAME</u></b>	<b><u>QTY.</u></b>	<b><u>REMARKS</u></b>
10	2776010201	FUEL TANK	1	
20	0732005181	LABEL, WARNING	1	
23	2779510103	LABEL, MODEL	1	
30	0430430060	FUEL TANK, CAP	1	
40	0641360010	FUEL FILTER	1	
48	0505120020	UNION	1	
60	0023806000	FLANGE, NUT	2	
63	0110060130	FLANGE, BOLT	1	
80	0851960000	RUBBER PIPE, 6DX11D	1	
90	0561100030	HOSE CLAMP, 10DX8BX1T	2	

# EX-170D40050 — GOVERNOR ASSY.

## GOVERNOR ASSY.

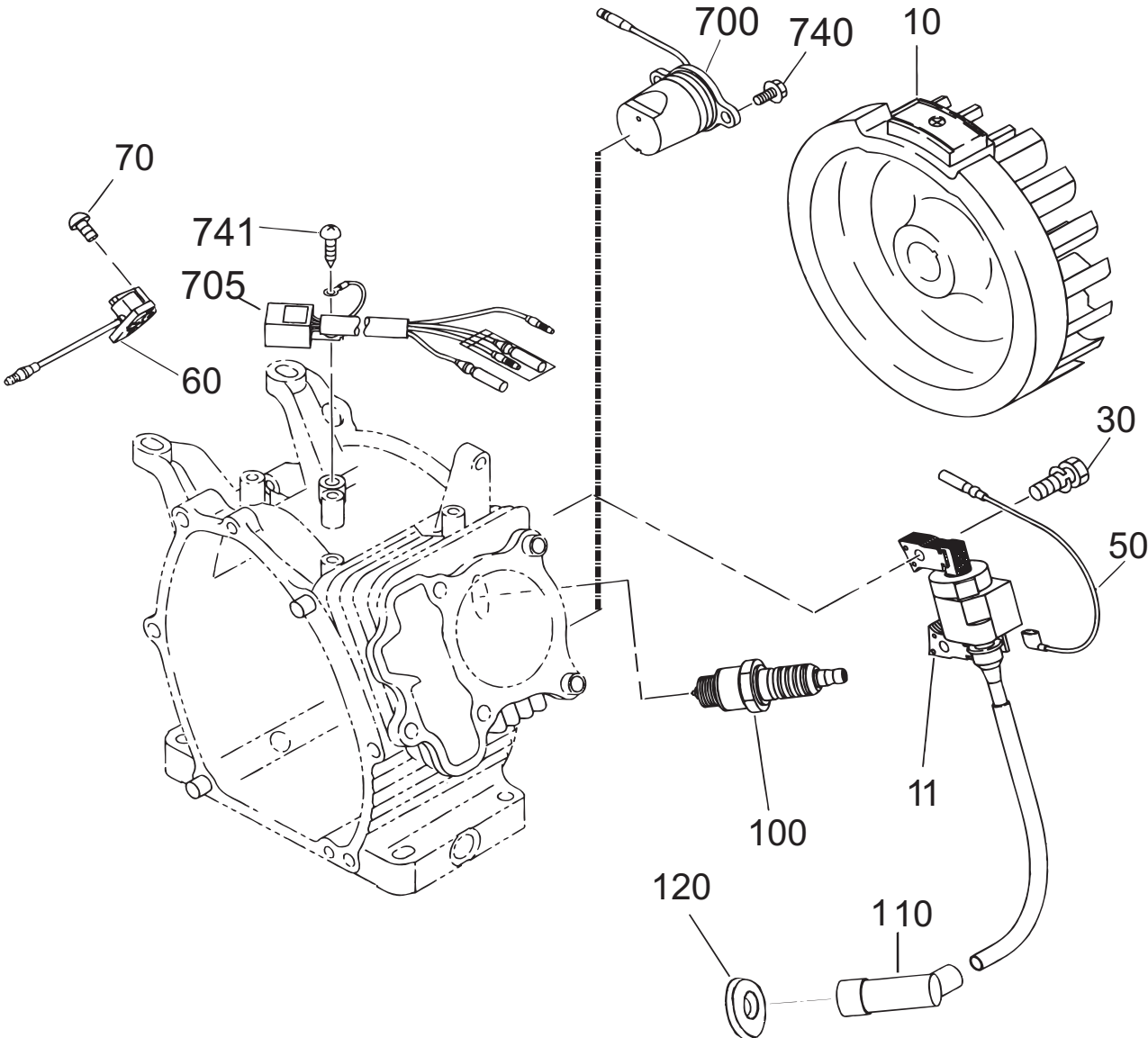


## GOVERNOR ASSY.

<b><u>NO</u></b>	<b><u>PART NO</u></b>	<b><u>PART NAME</u></b>	<b><u>QTY.</u></b>	<b><u>REMARKS</u></b>
10	2774230123	GOVERNOR, LEVER	1	
20	2774220133	GOVERNOR, SHAFT	1	
30	2774270111	GOVERNOR, ROD	1	
40	2774280123	ROD, SPRING	1	
50	0031305000	CLIP	1	
60	0130060240	BOLT & WASHER ASSY	1	
70	0186060020	NUT	1	
80	2794250263	GOVERNOR, SPRING	1	
310	2774330601	SPEED CONTROL, LEVER	1	
322	2774370101	LINK ROD CP	1	
340	2774350203	STOP, PLATE	1	
350	2774450103	FRICTION PLATE W/ LOCK	1	
355	0217060070	FRICTION, WASHER	1	
360	0043106250	SCREW	1	
365	2374500423	SPRING, ADJUST	1	
395	2774390203	CLAMP	1	
396	0131050030	SCREW AND WASHER ASSY	1	
435	2774600201	SPEED, CONT. BRACKET	1	
440	0043104080	SCREW	2	
450	0023506000	LOCK NUT	1	
480	2674510103	RETURN SPRING	1	
485	0110060020	FLANGE, BOLT	2	

# EX-170D40050 — IGNITION COIL/FLYWHEEL ASSY.

ELECTRIC DEVICE ASSY.



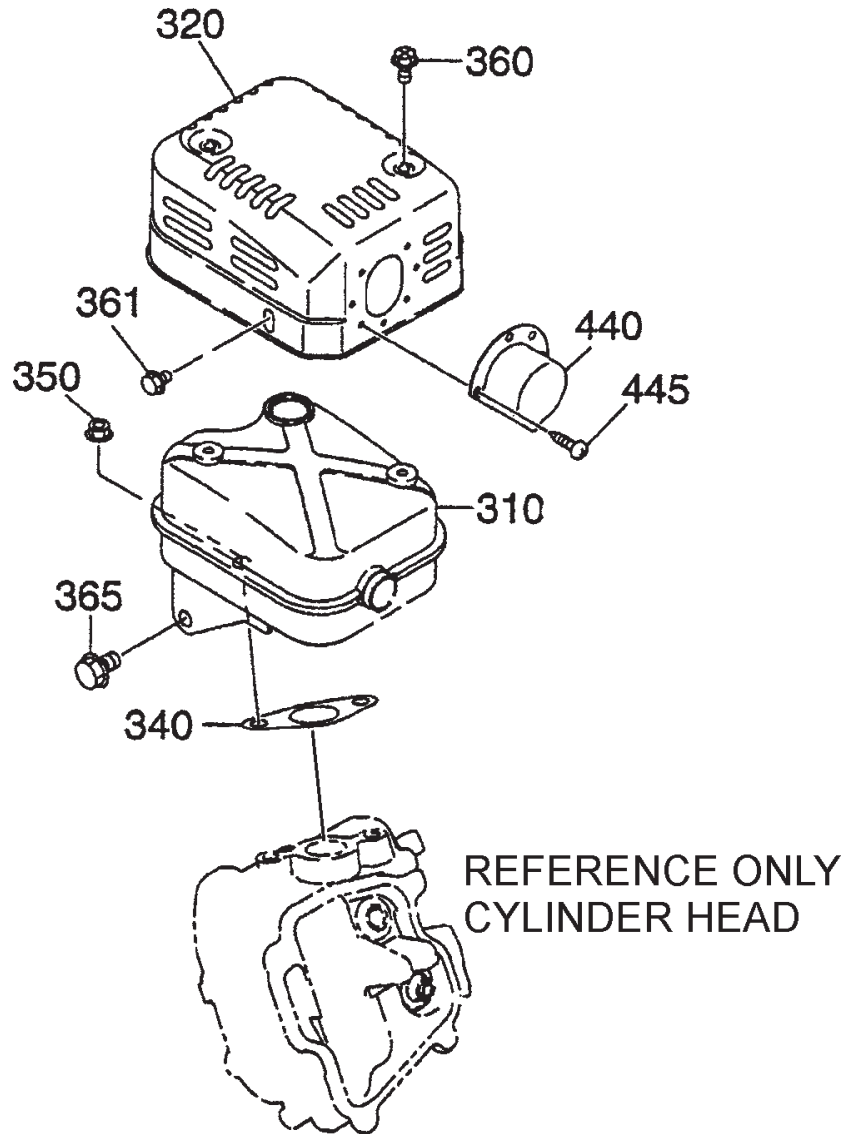
## EX-170D40050 — IGNITION COIL/FLYWHEEL ASSY.

ELECTRIC DEVICE ASSY.

<u>NO</u>	<u>PART NO</u>	<u>PART NAME</u>	<u>QTY.</u>	<u>REMARKS</u>
10	2777923011	FLYWHEEL	1	
11	2777943101	IGNITION COIL	1	
30	0011406250	BOLT & WASHER	2	
50	27773102H1	WIRE 2	1	
60	0660000361	STOP SWITCH ASSY., ON-OFF	1	
70	0150040090	TAPPING SCREW	2	
100	0650149670	SPARK PLUG	1	
110	0655000270	SPARK PLUG CAP	1	
120	2795520103	GROMMET, PLUG CAP	1	
700	2777630111	OIL SENSOR CP	1	
705	KU31104311	FLOAT C/U CP	1	
740	0011406160	BOLT AND WASHER ASSY	2	
741	0152050010	TAPPING SCREW	1	

# EX-170D40050 — MUFFLER ASSY.

MUFFLER ASSY.



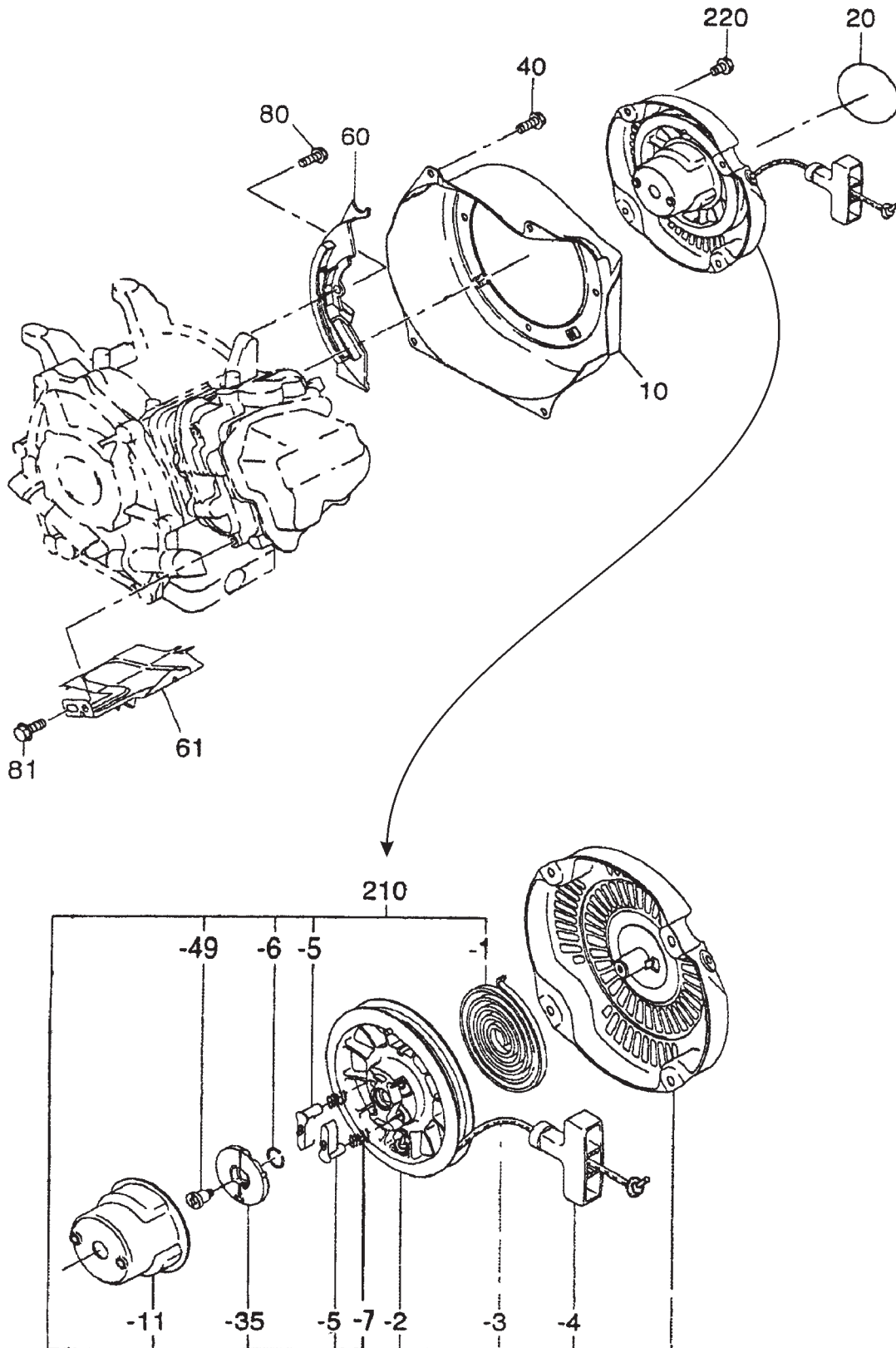
## EX-170D40050 — MUFFLER ASSY.

### MUFFLER ASSY.

<u>NO</u>	<u>PART NO</u>	<u>PART NAME</u>	<u>QTY.</u>	<u>REMARKS</u>
310	2763010121	MUFFLER	1	
320	2773420111	MUFFLER COVER	1	
340	2773520203	GASKET, MUFFLER	1	
350	9802008280	FLANGE, NUT	2	
360	0152060090	TAPPING BOLT	2	
361	0110060010	FLANGE BOLT	1	
365	0110080150	FLANGE BOLT	1	
440	27737001H1	DEFLECTOR	1	
445	0150040060	TAPPING SCREW	2	

# EX-170D40050 — RECOIL STARTER ASSY.

RECOIL STARTER ASSY.

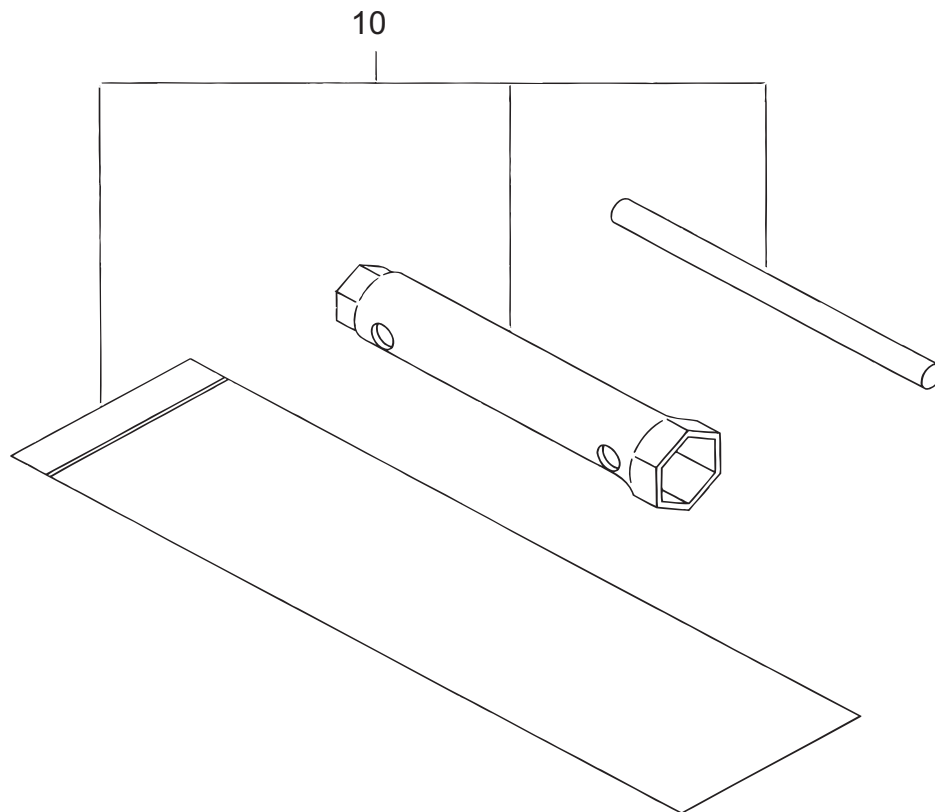


## EX-170D40050 — RECOIL STARTER ASSY.

### RECOIL STARTER ASSY.

<u>NO</u>	<u>PART NO</u>	<u>PART NAME</u>	<u>QTY.</u>	<u>REMARKS</u>
10	2775120201	BLOWER, HOUSING CP	1	
20	0732005140	LABEL, TRADEMARK	1	
40	0110060030	FLANGE, BOLT	4	
60	2775271111	BAFFLE, CASE 1	1	
61	2775270203	BAFFLE, HEAD 2	1	
80	0010406160	FLANGE, BOLT	1	
81	0110060020	FLANGE, BOLT	1	
210	2695020130	RECOIL STARTER ASSY. ....	1	INCLUDES ITEMS W/*
210-1*	2705011508	SPIRAL, SPRING	1	
210-2*	2695012008	REEL	1	
210-3*	2825011118	STARTER ROPE	1	
210-4*	2615010008	STARTER KNOB	1	
210-5*	2705012508	RACHET	2	
210-6*	2275013108	FRICTION SPRING	1	
210-7*	2275013508	RETURN SPRING	2	
210-11*	2695014518	STARTER PULLEY	1	
210-35*	2705026108	RACHET GUIDE	1	
210-49*	2275015208	SET SCREW	1	
220	0110060010	FLANGE, BOLT	1	

TOOL KIT



# EX-170D40050 — TOOL KIT ASSY.

TOOL KIT

<u>NO</u>	<u>PART NO</u>	<u>PART NAME</u>	<u>QTY.</u>	<u>REMARKS</u>
10	27790301H0	TOOL KIT	1	