



**SPARE PARTS LIST**  
**HTC GL 270**





**Table of contents**

Greyline 270 Chassis ..... 3

Greyline 270 Grinding head..... 5

Greyline 270 Grind holder ..... 7

Greyline 270 – Add-on edge grinding kit..... 9

Greyline 270 Dust cover V.2.....11

Greyline 270 Electrical – 110V .....13

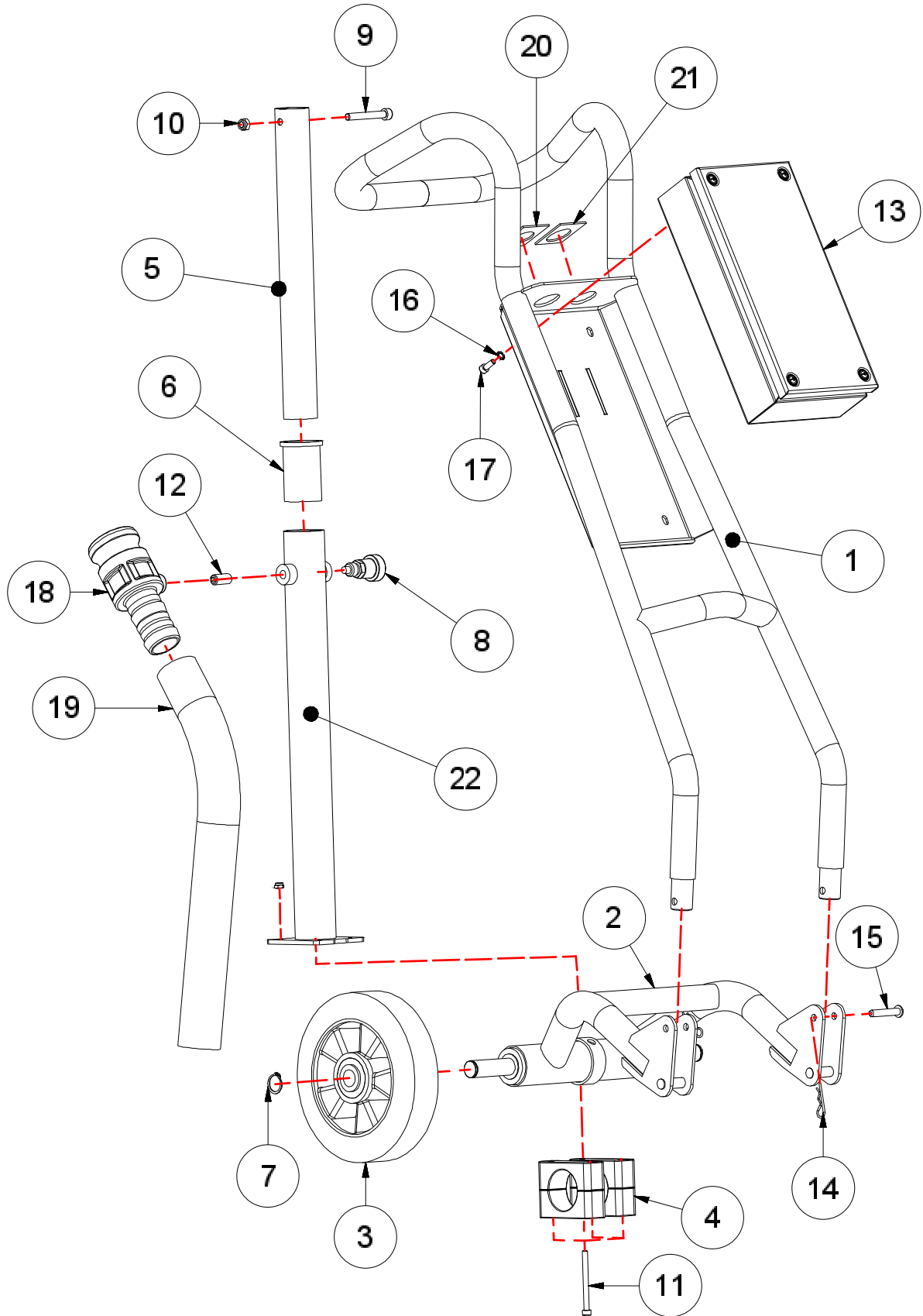
Greyline 270 Electrical – 230v 50Hz.....15

Greyline 270 Electrical – 230v 60Hz.....17

Greyline 270HD Electrical – 230v 50Hz.....19



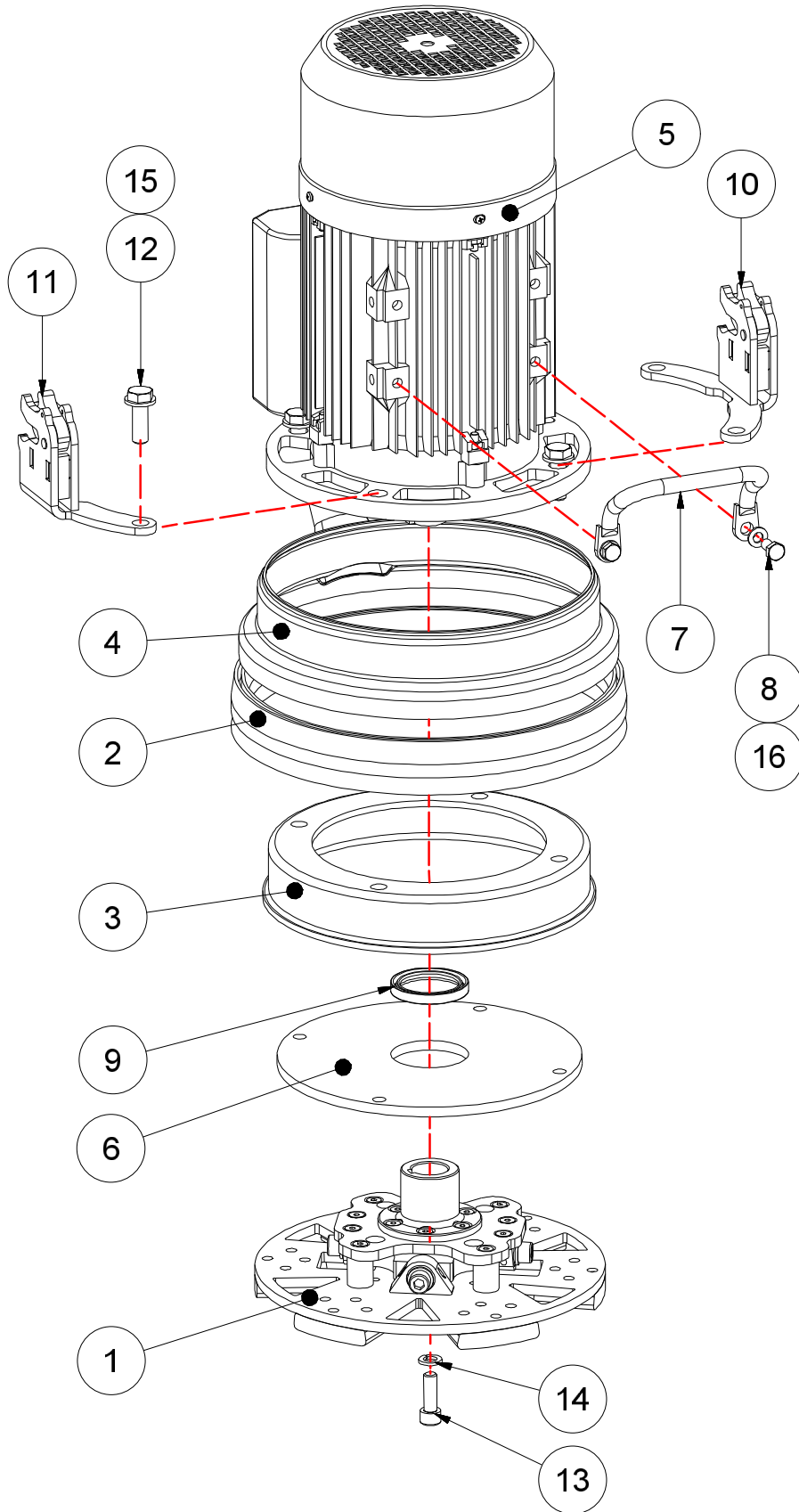
**Greyline 270 Chassis**



## Greyline 270 Chassis

Item	Description	Part no	Qty
1	UPPER CHASSIS GREYLINE 270	593520701	1
2	LOWER CHASSIS GREYLINE 270	595695401	1
3	WHEEL	593408701	2
4	PIPE CLAMP	595633801	2
5	CHASSIS POSITIONER INNER TUBE	593519301	1
6	CHASSIS POSITIONER GUIDE BUSHING	593524201	1
7	CIRCLIP SGA 20	593496301	2
8	LEVER INDEXING PLUNGER M16	593456801	1
9	SCREW M8X60	593500301	1
10	LOCKNUT M8	593499801	1
11	SCREW M6X70	593510201	4
12	SCREW M12X25	593511201	1
13	POWER UNIT GL 270 1x110V 50/60Hz	593547701	1
13	POWER UNIT GL 270 1x230V 50Hz	593547001	1
13	POWER UNIT GL 270 1x230V 60Hz	593547201	1
13	POWER UNIT GL 270 HD 1x230V 50Hz	595725701	1
14	LOCKING CLIP	593502501	2
15	PIN 8X41	593510601	2
16	WASHER M6	593511001	4
17	SCREW M6X16	593500701	4
18	CAMLOCK 2"MALE SPECIAL GL 40MM	593460501	1
19	SUCTION HOSE 40MM	110169	0,55 M
20	OVERLAY GL "EM STOP"	593459601	1
21	OVERLAY GL "ON - OFF"	593458701	1
22	CHASSIS POSITIONER GL	593524101	1
23	LOCKNUT M6	593500001	4

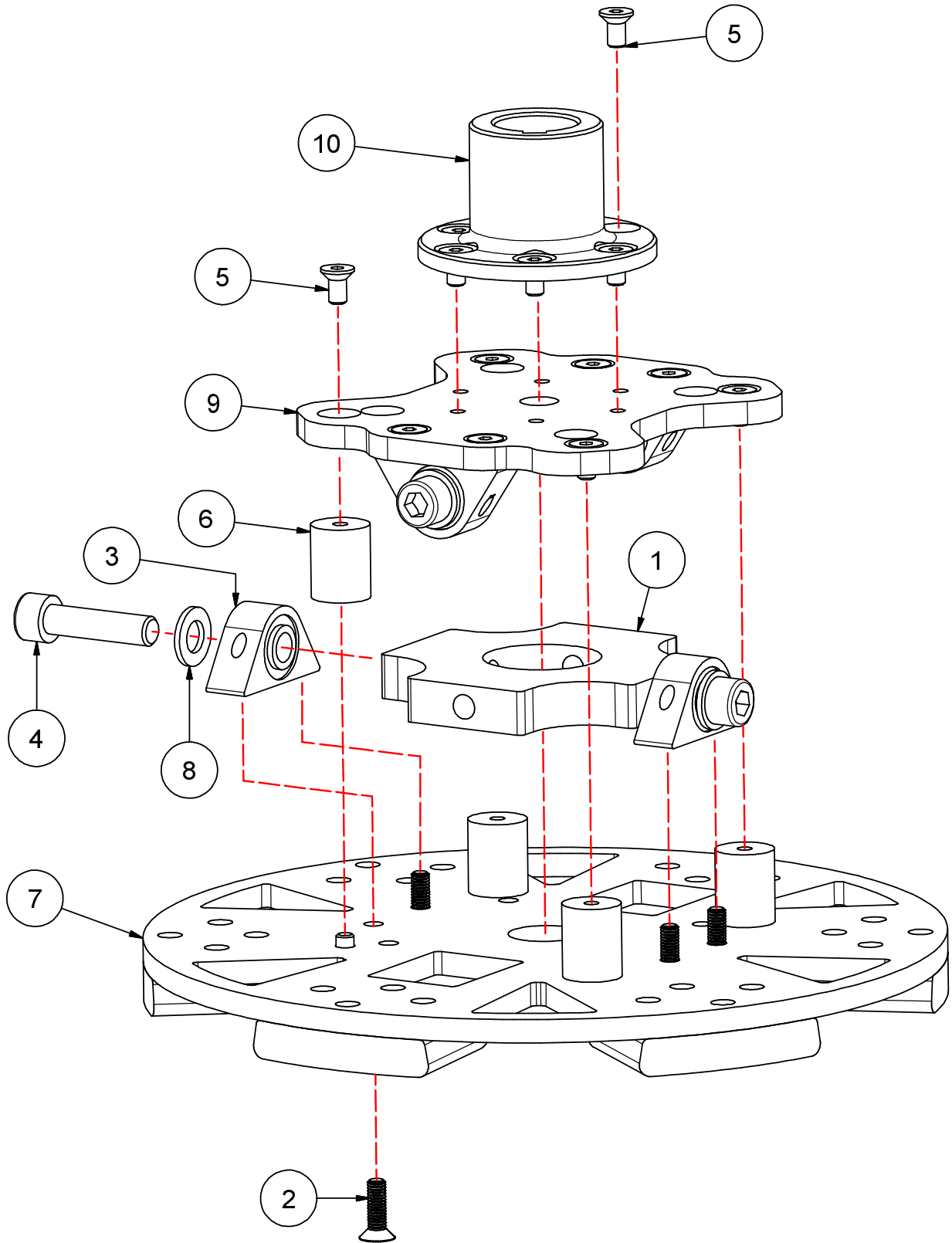
### Greyline 270 Grinding head



**Greyline 270 Grinding head**

Item	Description	Part no	Qty
1	GRIND HOLDER CARDAN GL 270	593516901	1
2	BRUSH STRIP	593446101	0,95 M
3	COVER GUIDE GL 270	593519001	1
4	DUST COVER GL 270	593520801	1
5	MOTOR 1,5KW 6-POL 1x110V 50Hz	593456601	1
	RUN CAPACITOR 140 µF	593551001	1
	START CAPACITOR 800µF	593550601	1
5	MOTOR 1,5KW 6 POL 1x110V 60Hz	113082	1
	RUN CAPACITOR 140µF	593551001	1
	START CAPACITOR 800µF	593550601	1
5	MOTOR 1,5KW 6 POL 1x230V 50Hz	593455901	1
	RUN CAPACITOR 45µF	593551101	1
	START CAPACITOR 200µF	593550701	1
5	MOTOR 1,5KW 6 POL 1x230V 60Hz	593456501	1
	RUN CAPACITOR 50µF	593551201	1
	START CAPACITOR 200µF	593550701	1
5	MOTOR 2,2KW 4-POL 1x230V 50HZ	593472901	1
	RUN CAPACITOR 50µF	593551201	1
	START CAPACITOR 250µF	593550901	1
6	MOTOR FASTENING PLATE GL 270	593520401	1
7	LIFTING HANDLE 1,5 KW MOTOR	593520301	1
8	SCREW M8X16	593500601	2
9	SEALING 45X60X8	593416701	1
10	GRINDHEAD BRACKET COMPLETE LEFT	593521701	1
11	GRINDHEAD BRACKET COMPLETE RIGHT	593521801	1
12	SCREW M12X35	593510901	4
13	SCREW M10X30	593504101	1
14	WASHER M10	593509901	1
15	WASHER M12	593499401	4
16	WASHER M8	593500401	2

### Greyline 270 Grind holder

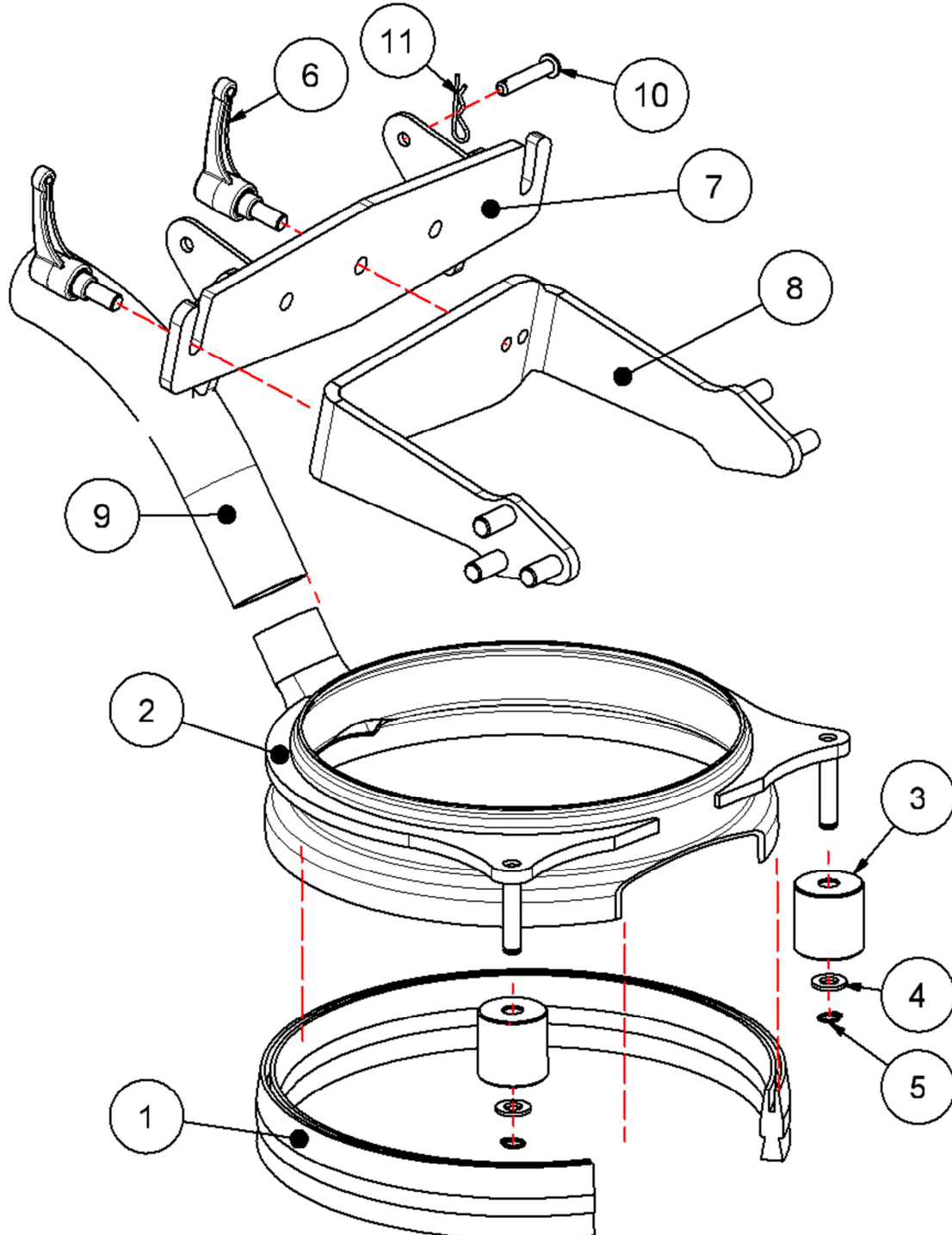


---

**Greyline 270 Grind holder****GRIND HOLDER CARDAN GL 270 - 500481**

Item	Description	Part no	Qty
1	CARDAN CONNECTION	593438401	1
2	SCREW M6X20	593505101	8
3	EAR CARDAN	593616401	4
4	SCREW M10X35	593508101	4
5	SCREW M6X12	310323	16
6	SHOCK ABSORBER 20x25	595748401	4
7	TOOL HOLDER GL 270	593516801	1
8	WASHER M10	593499101	4
9	GRINDHOLDER UPPER CARDAN	593516701	1
10	MOTOR COUPLER	593518901	1

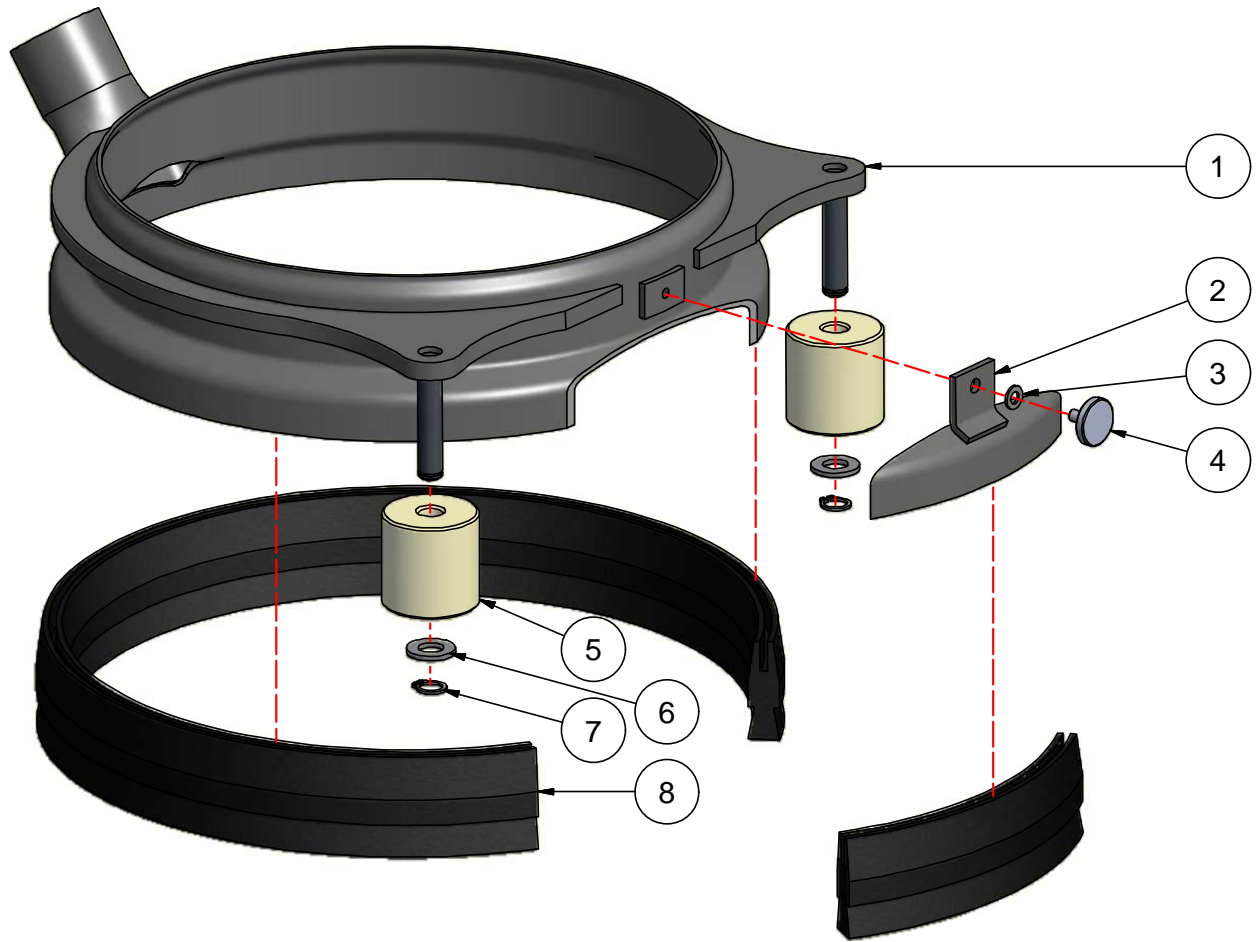
### Greyline 270 – Add-on edge grinding kit



**Greyline 270 – Add-on edge grinding kit****EDGE GRINDING KIT HTC GL 270 - 113152**

Item	Description	Part no	Qty
1	BRUSH STRIP	593446101	0,8 M
2	DUST COVER 270 EDGE GRINDER	593521201	1
3	WHEEL 270 EDGE GRINDER COVER	593521301	2
4	WASHER M10	593499101	2
5	CIRCLIP SGA 10	593503101	2
6	HANDLE	593458901	2
7	EDGE GRINDER 270 BRACKET	595695801	1
8	EDGE GRINDER 270 FORK	593521101	1
9	SUCTION HOSE 40MM	110169	1,0 M
10	PIN 8X50	593459501	2
11	LOCKING CLIP	593502501	2

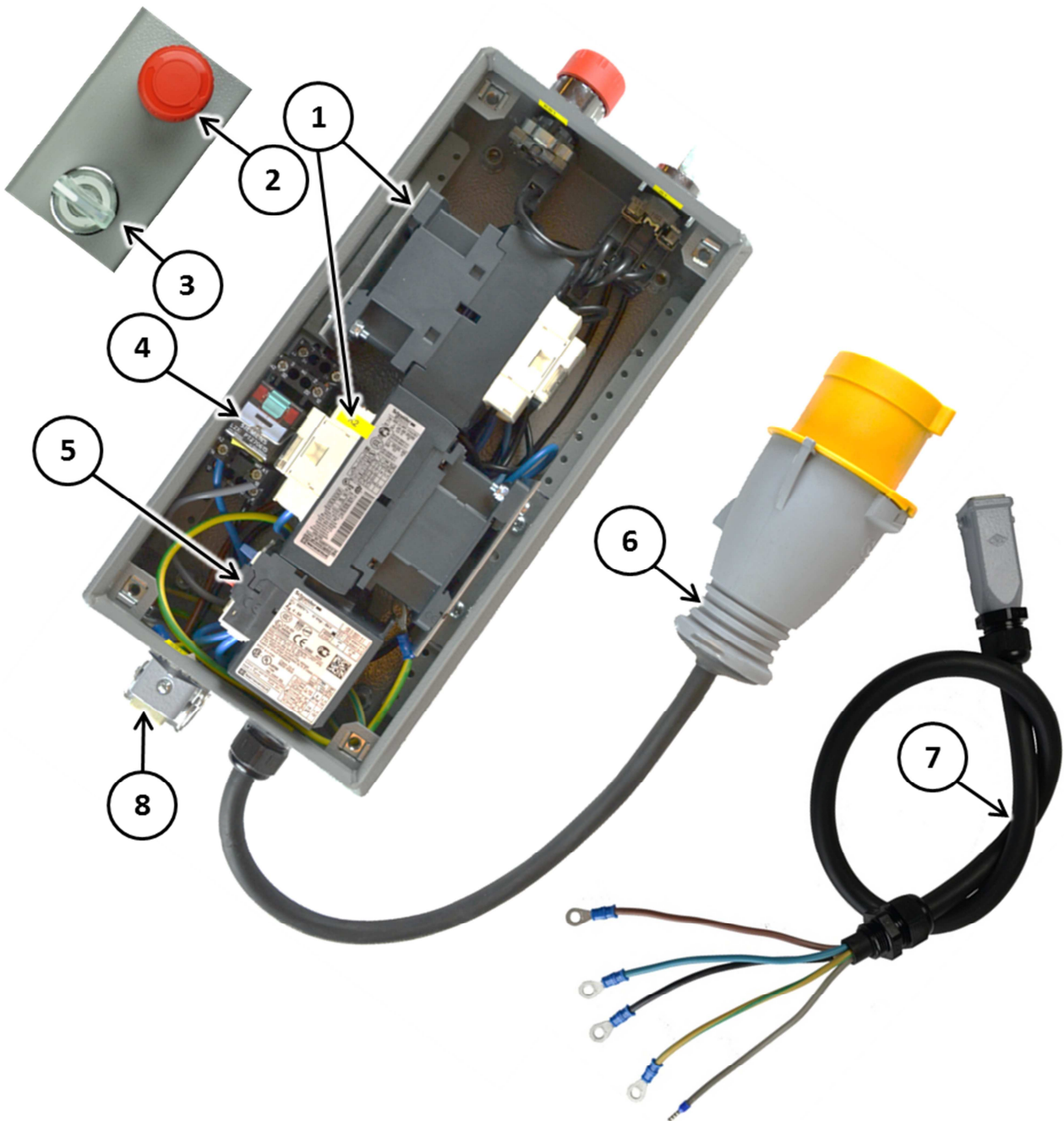
### Greyline 270 Dust cover V.2



Item	Description	Part no	Qty
1	DUST COVER	593521201	1
2	DUST COVER FRONT	594041601	1
3	WASHER M5	593504301	1
4	SCREW M5X8	593513101	1
5	WHEEL 270 EDGE GRINDER COVER	593521301	2
6	WASHER M10	593499101	2
7	CIRCLIP SGA 10	593503101	2
8	BRUSH STRIP (HEIGHT 15mm)	593446101	150mm + 750mm



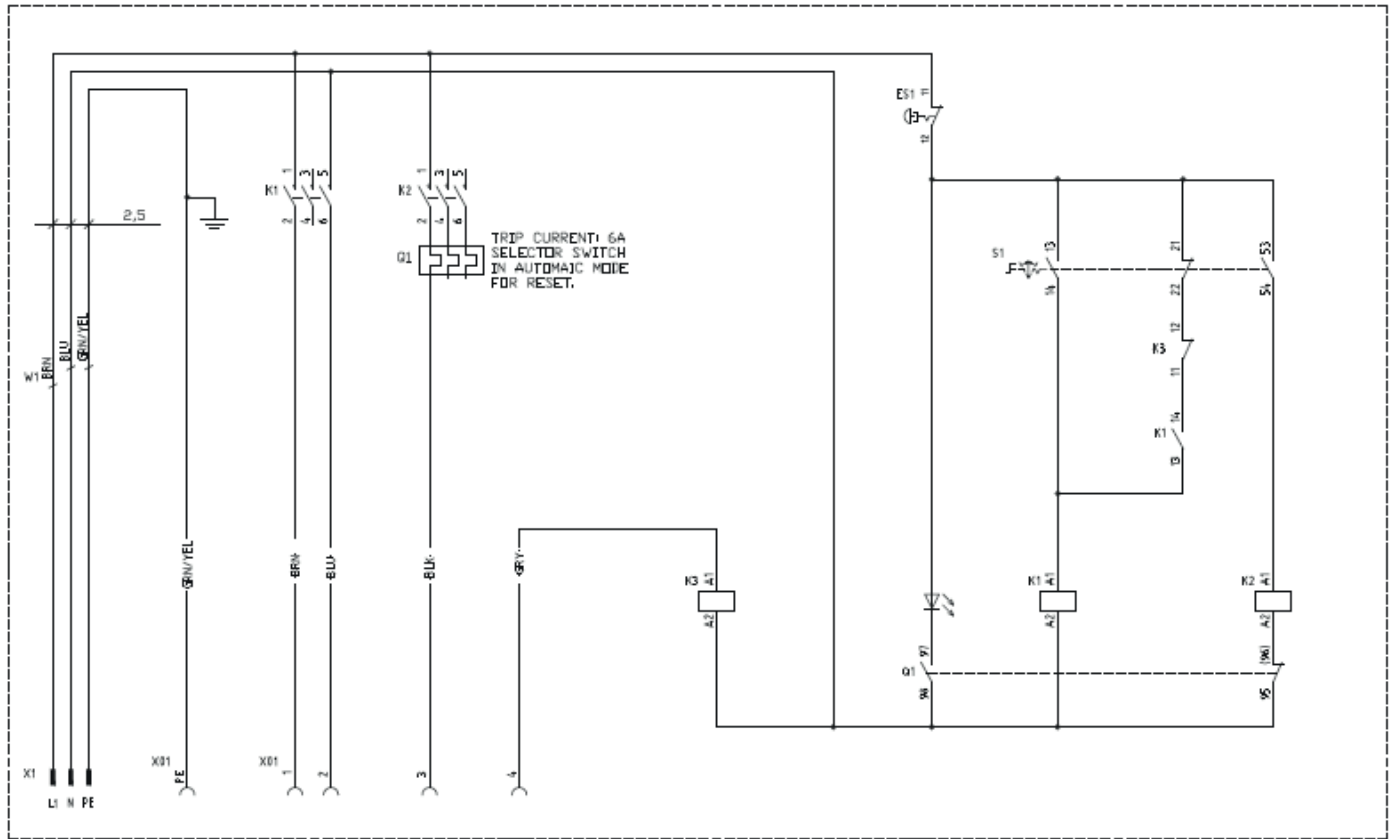
### Greyline 270 Electrical – 110V

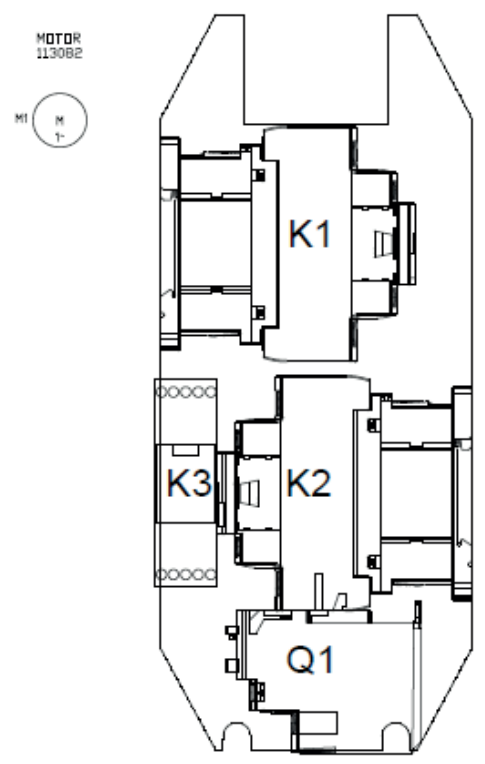
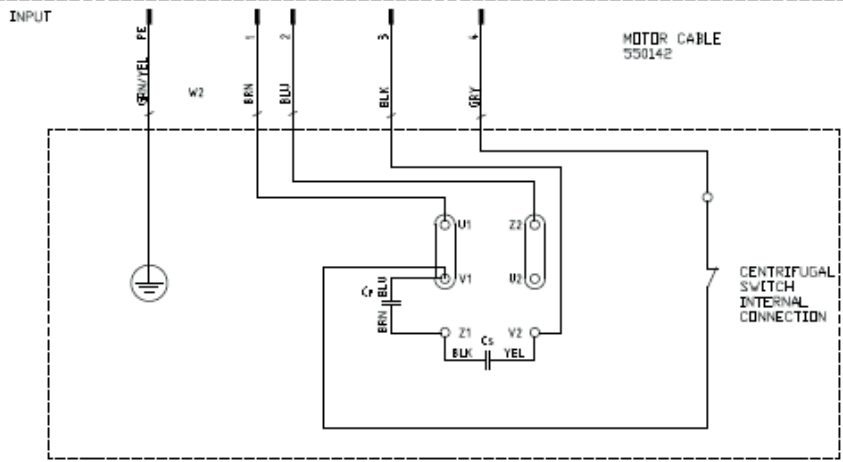
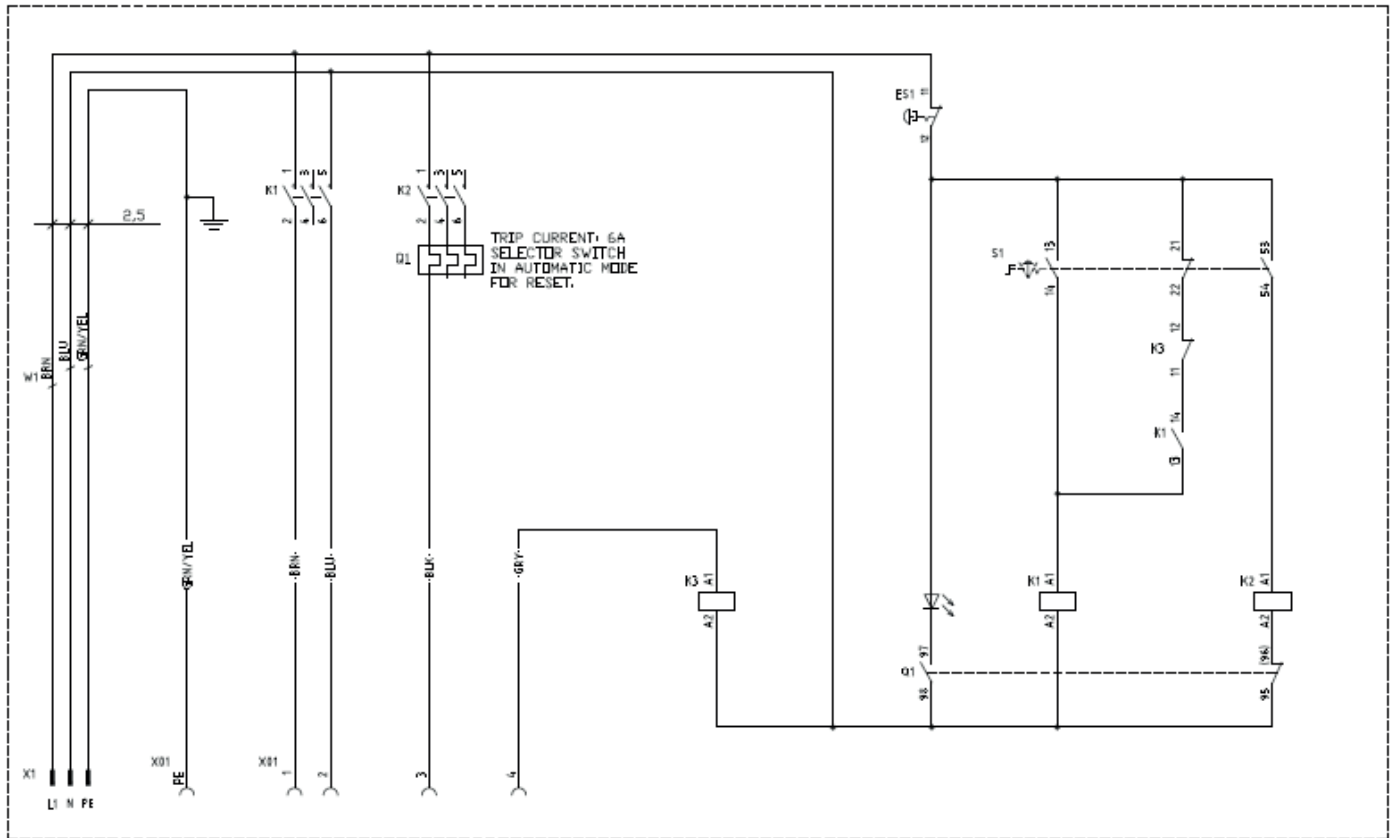


---

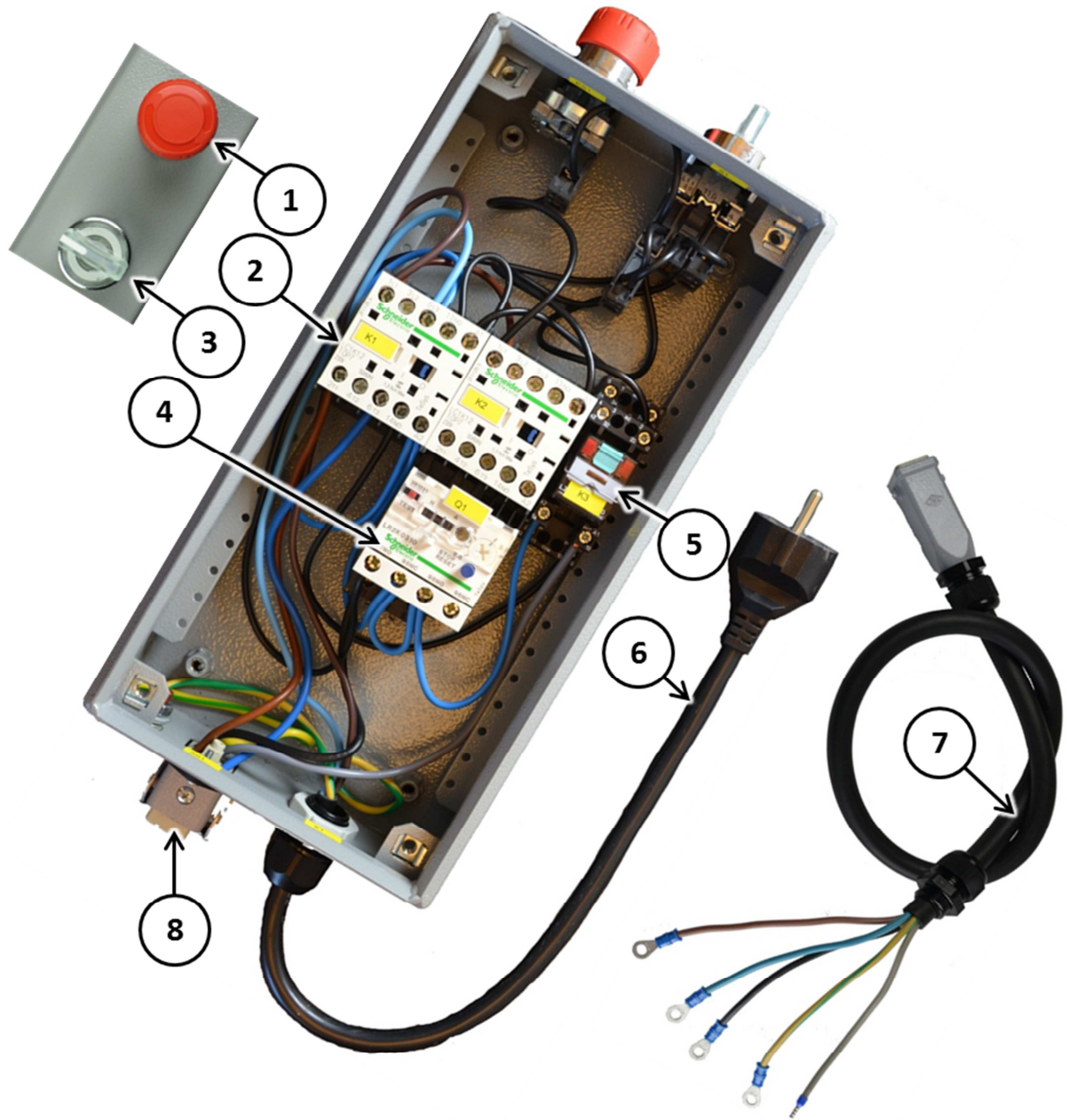
**Greyline 270 Electrical – 110V**
**POWER UNIT HTC GL 270 1x110V - 550173**

Item	Tag	Description	Part no	Qty
1	K1. K2	CONTACTOR	593551801	2
2	ES1	PRESS BUTTON EM.STOP	593398901	1
		MOUNTING BASE	593614901	1
		CONTACT BLOCK NC	593399701	1
3	S1	KNOB WHITE 3-POS	593406101	1
		MOUNTING BASE	593614901	1
		LIGHT BLOCK LED ORANGE	593551401	1
		CONTACT BLOCK NC	593399701	1
		CONTACT BLOCK NO	593399601	2
4	K3	RELAY	593552101	1
		RELAY BASE	593552001	1
5	Q1	RELAY OVERCURRENT 4A-6A	593551601	1
6	X1	PLUG 32A 3P YELLOW	595732101	1
7	W2	MOTOR CABLE GL 5X2.5 COMPL	593546501	1
8	X01	MOTOR CABLE INL. 1-PH GL COMPL	593547401	1





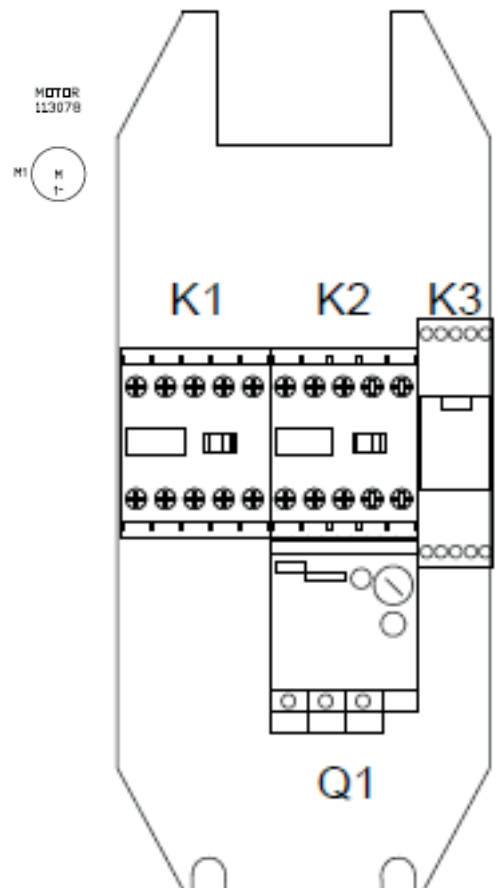
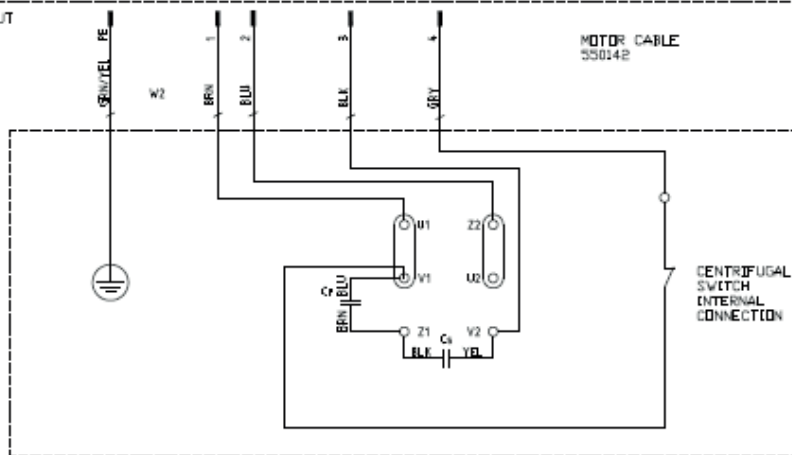
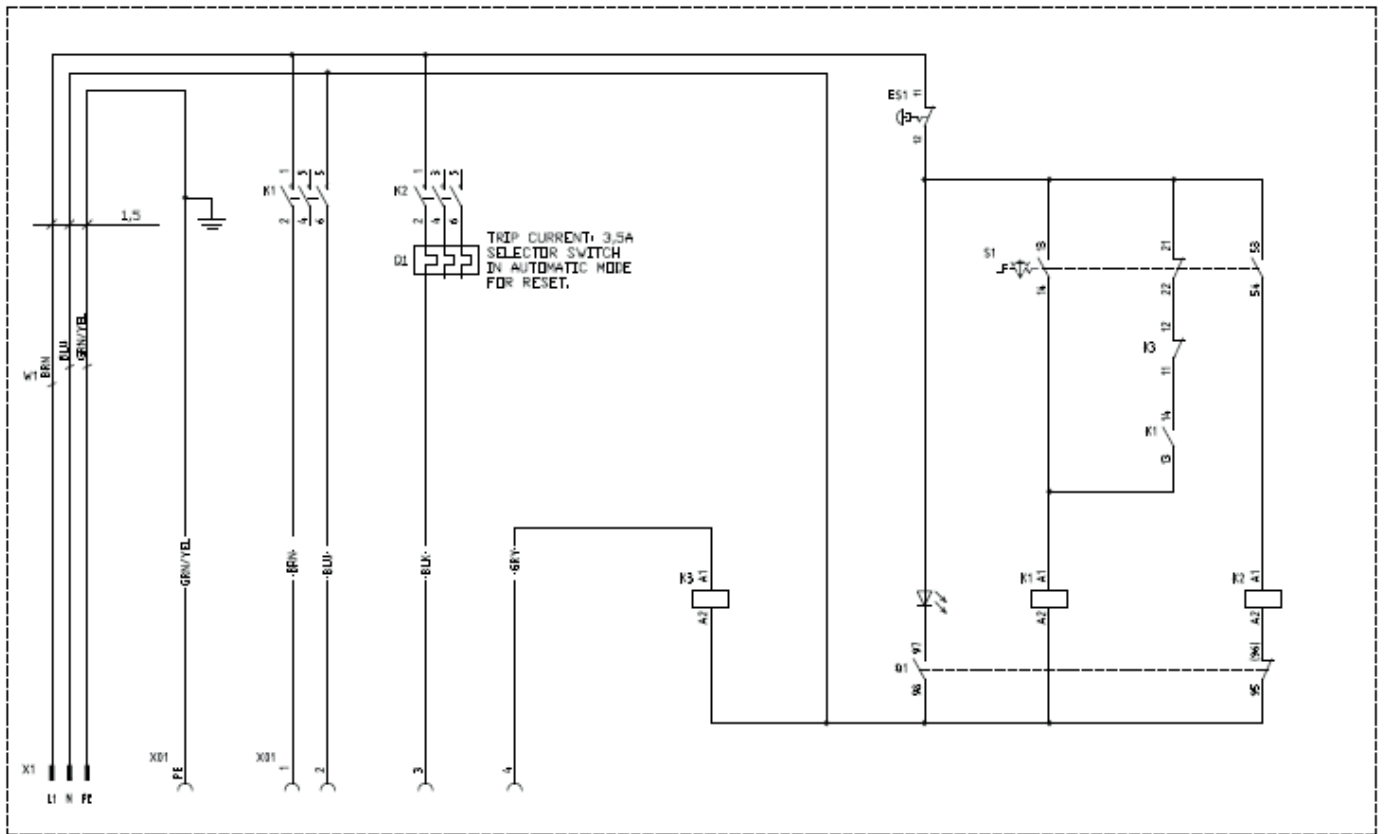
**Greyline 270 Electrical – 230v 50Hz**



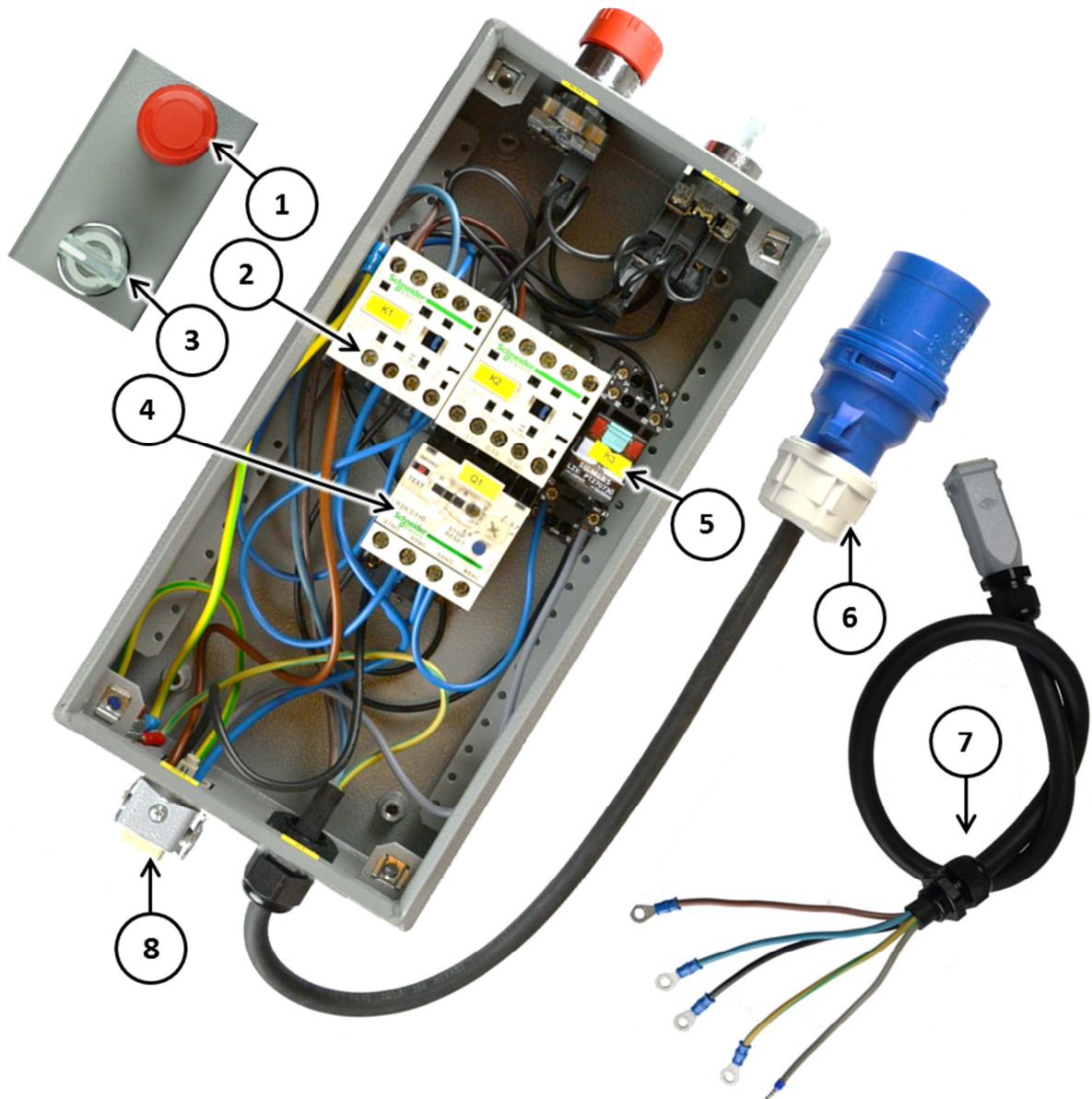
---

**Greyline 270 Electrical – 230v 50Hz**
**POWER UNIT HTC GL 270 1x230 50Hz - 550164**

Item	Tag	Description	Part no	Qty
1	ES1	PRESS BUTTON EM.STOP	593398901	1
		MOUNTING BASE	593614901	1
		CONTACT BLOCK NC	593399701	1
2	K1. K2	CONTACTOR	593550201	2
3	S1	KNOB WHITE 3-POS	593406101	1
		MOUNTING BASE	593614901	1
		LIGHT BLOCK LED ORANGE	593551401	1
		CONTACT BLOCK NC	593399701	1
		CONTACT BLOCK NO	593399601	2
4	Q1	RELAY OVERCURRENT 2.6A-3.7A	593551501	1
5	K3	RELAY	593551901	1
		RELAY BASE	593552001	1
6	W1	POWER CABLE 1PH 230V EU	593550401	1
7	W2	MOTOR CABLE GL 1-PH COMPL	593546501	1
8	X01	MOTOR CABLE INLET 2.2KW	593552901	1



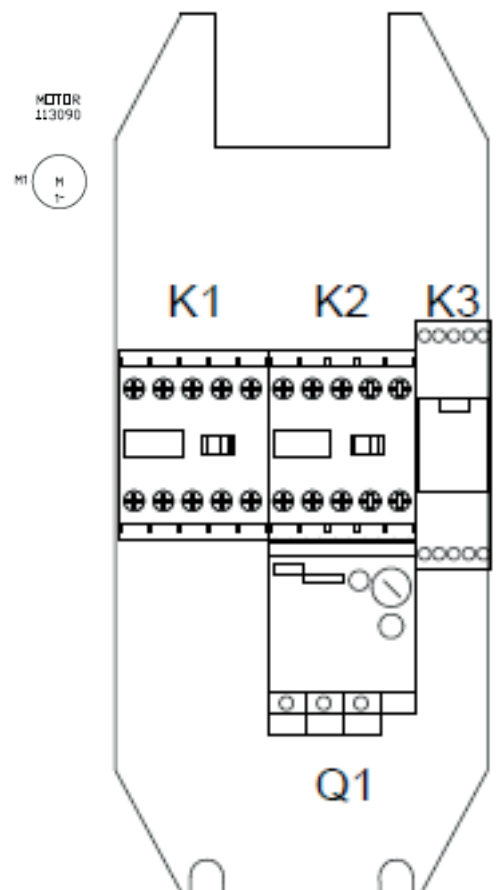
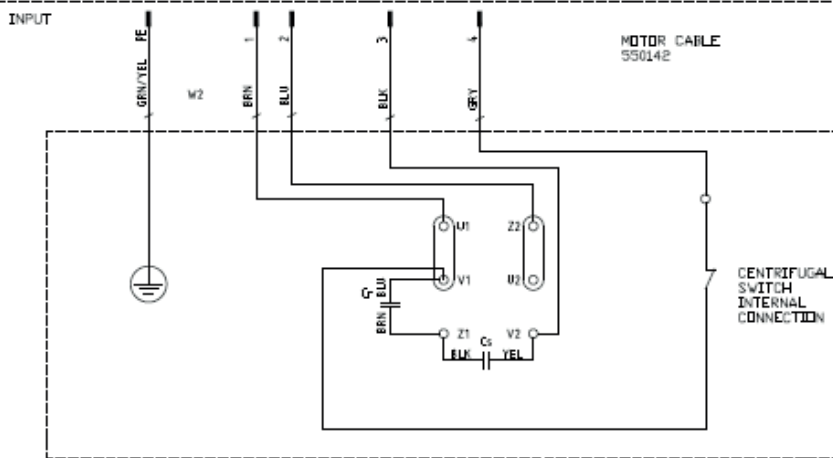
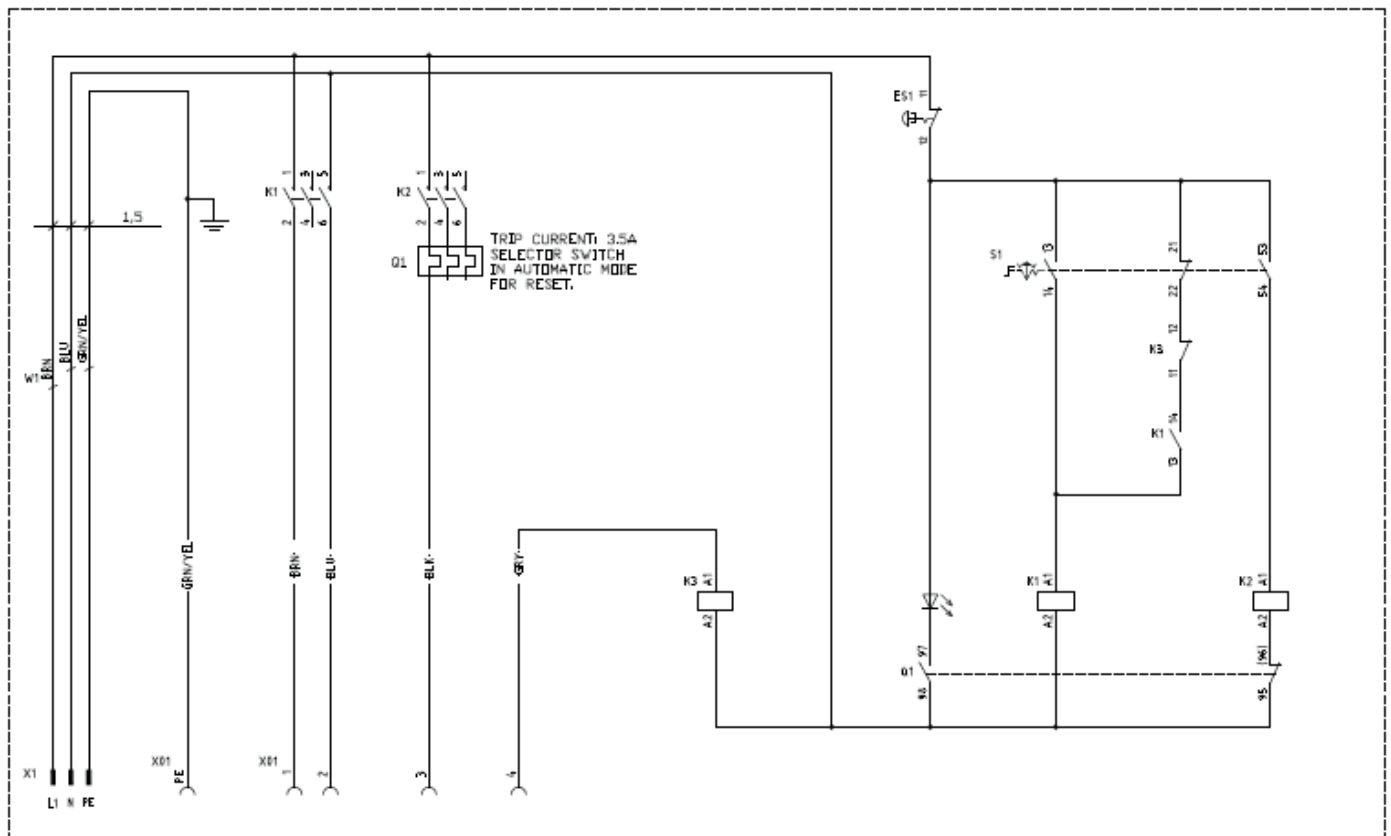
### Greyline 270 Electrical – 230v 60Hz



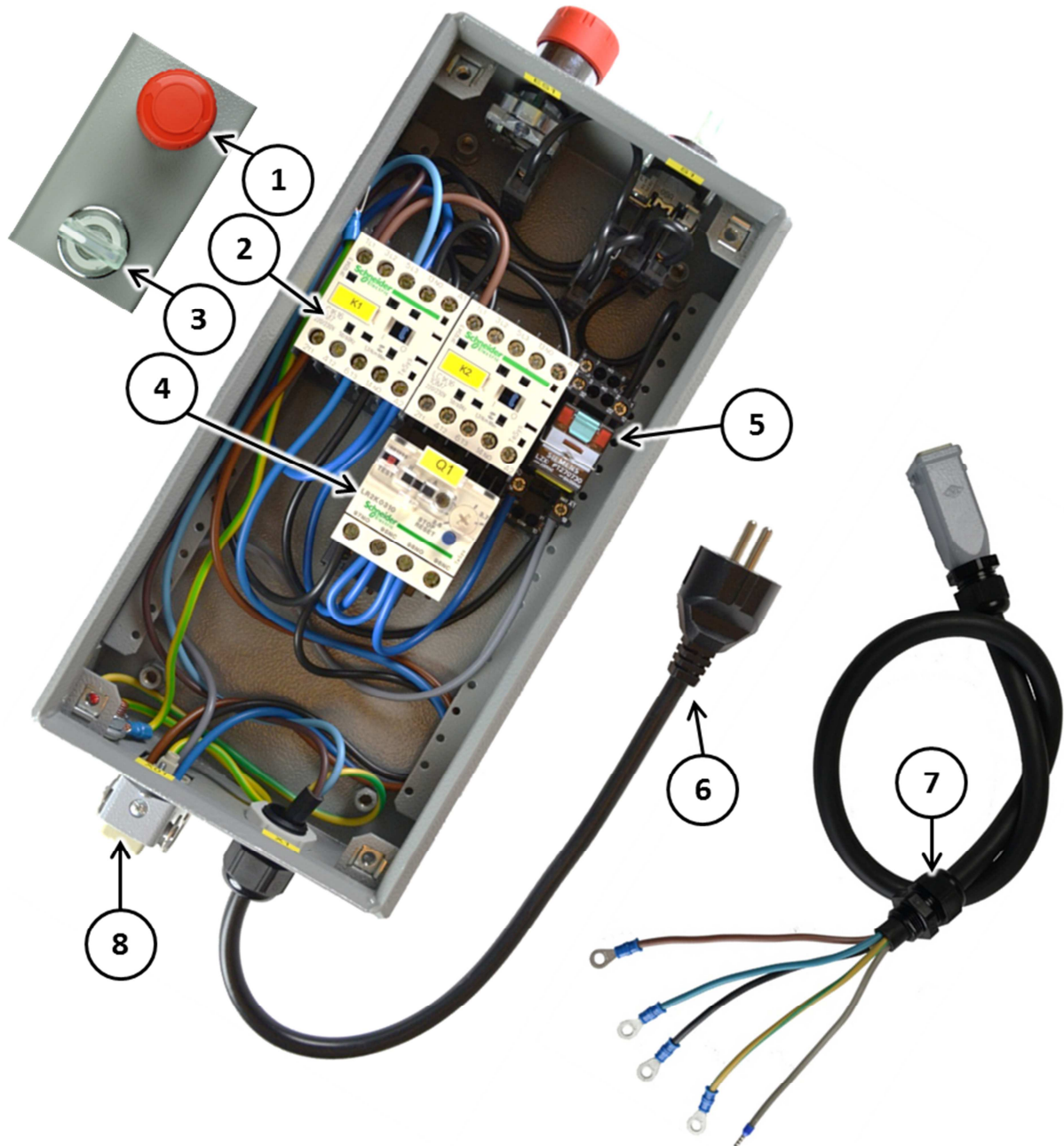
---

**Greyline 270 Electrical – 230v 60Hz**
**POWER UNIT HTC GL 270 1x230v 60Hz - 550166**

Item	Tag	Description	Part no	Qty
1	ES1	PRESS BUTTON EM.STOP	593398901	1
		MOUNTING BASE	593614901	1
		CONTACT BLOCK NC	593399701	1
2	K1. K2	CONTACTOR	593550201	2
3	S1	KNOB WHITE 3-POS	593406101	1
		MOUNTING BASE	593614901	1
		LIGHT BLOCK LED ORANGE	593551401	1
		CONTACT BLOCK NC	593399701	1
		CONTACT BLOCK NO	593399601	2
4	Q1	RELAY OVERCURRENT 2.6A-3.7A	593551501	1
5	K3	RELAY	593551901	1
		RELAY BASE	593552001	1
6	X1	PLUG 16A 3P BLUE	593633101	1
7	W2	MOTOR CABLE GL 1-PH COMPL	593546501	1
8	X01	MOTOR CABLE INL. 1-PH GL COMPL	593547401	1



**Greyline 270HD Electrical – 230v 50Hz**



**Greyline 270HD Electrical – 230V 50Hz**

**POWER UNIT HTC GL 270HD 1x230v 50Hz - 550175**

Item	Tag	Description	Part no	Qty
1	ES1	PRESS BUTTON EM.STOP	593398901	1
		MOUNTING BASE, METAL	593614901	1
		CONTACT BLOCK NC	593399701	1
2	K1/K2	CONTACTOR	593550201	2
3	S1	KNOB WHITE 3-POS	593406101	1
		MOUNTING BASE	593614901	1
		CONTACT BLOCK NO	593399601	2
		CONTACT BLOCK NC	593399701	1
		LIGHT BLOCK LED ORANGE	593551401	1
4	Q1	RELAY OVERCURRENT 2.6A-3.7A	593551501	1
5	K3	RELAY	593551901	1
		RELAY SOCKET	593552001	1
6	W1	POWER CABLE 1PH 230V EU	593550401	1
7	W2	MOTOR CABLE 1-PHASE GL COMPL	593546501	1
8	X01	MOTOR CABLE INL. 1-PH GL COMPL	593547401	1

