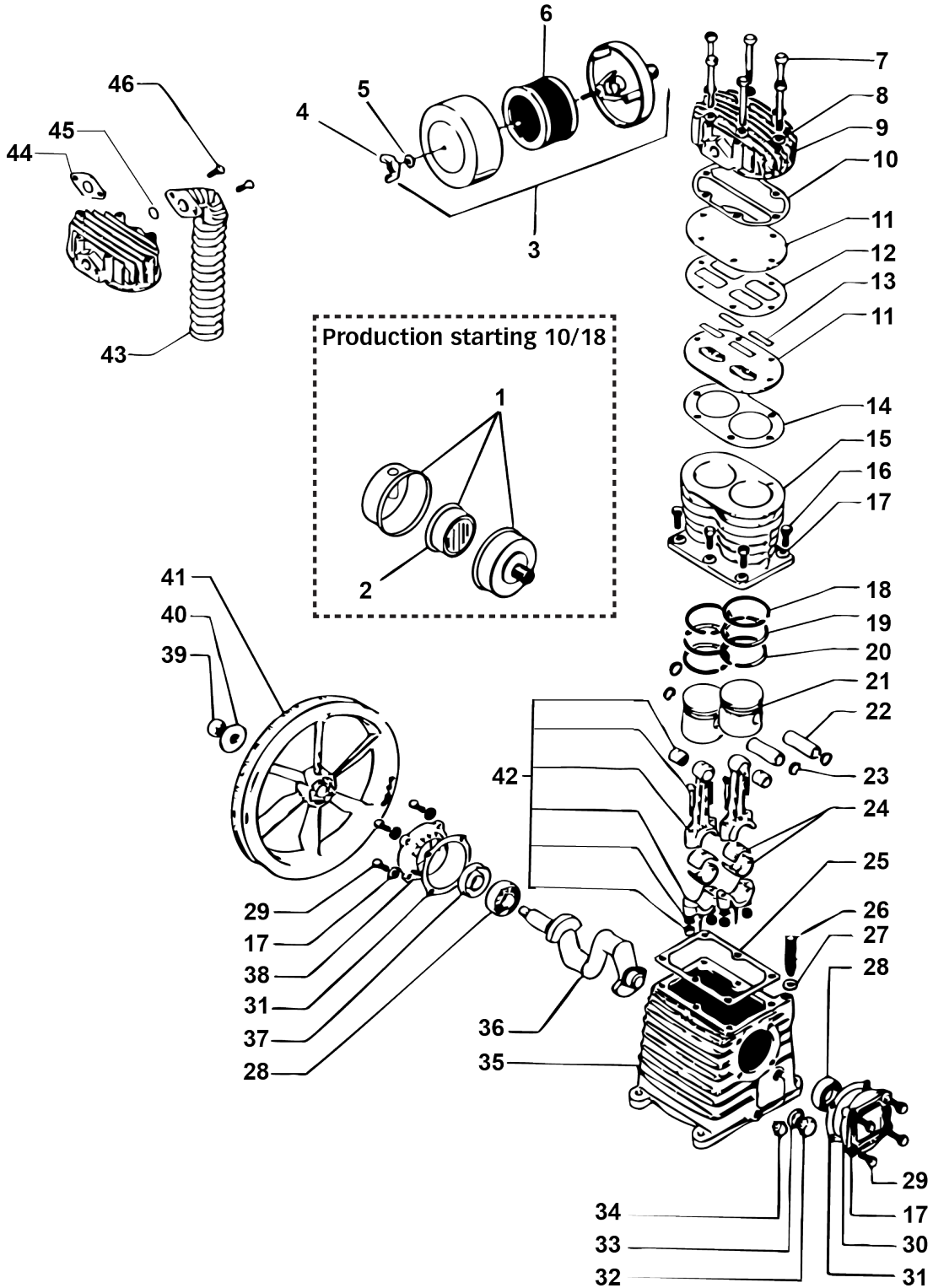


**SCHEMATIC FOR
PMP12K17**





**PARTS LIST FOR
PMP12K17**

Sch.#	Description	Part#	Qty
1	Intake Assy (current)	FS10052	1
2	Element - FS10052	433	1
3	Intake Assy (old style)	FS14050	1
4	Wingnut - FS14050	FSNUT	1
5	Washer - FS14050	FSWASHER	1
6	Element - FS14050	431	1
7	Head Bolt	37300990CH	6
8	Washer	37500400CH	6
9	Head	31301170CH	1
10	Gasket	30501090CH	1
11	Valve Plate	32701030CH	2
12	Gasket	30501100CH	1
13	Reed Valve	32700350CH	4
14	Gasket	30501110CH	1
15	Cylinder	31601010CH	1
16	Bolt	37301140CH	6
17	Washer	37508130CH	14
18	Ring (compression)	31200300CH	2
19	Ring (scraper)	31200290CH	2
20	Ring (oil)	31200280CH	2
21	Piston	31200270CH	2
22	Piston Pin	31200260CH	2
23	Snap Ring	37600230CH	4
24	Con Rod Inserts	31100210CH	2
25	Gasket	30501120CH	1
26	Oil Fill/Breather	36507050CH	1
27	O Ring	30509290CH	1
28	Roller Bearing	30300030CH	2
29	Bolt	37300070CH	8
30	Bearing Carrier	30400830CH	1
31	Gasket	30500150CH	2
32	Sight Glass w/seal	36500140CH	1
33	Seal	Order #32	1
34	Oil Drain Plug	BLSQPL0250	1
35	Crankcase	33101160CH	1
36	Crankshaft	30201000CH	1
37	Oil Seal	30300040CH	1
38	Bearing Carrier	30400890CH	1
39	Nut	37400720CH	1
40	Washer	37500730CH	1
41	Flywheel	31007280CH	1
42	Con Rod Assembly	31100750CH1	1
43	Aftercooler	3290146ACH	1
44	Gasket (old style)	30501490CH	1
45	O Ring (current)	30502510CH	1
46	Bolt	37302530CH	2
Kits			
	Gasket Set (10, 12, 14, 25, 26, 31, 32, 45)	K17GASKETS	1
	Ring Set (18, 19, 20)	K17RINGS	1
	Valve Plate Assembly (10, 11, 12, 13, 14)	1700VK17	1
	Piston Assembly (18, 19, 20, 21, 22, 23)	1700PK17	2
	Valve Repair Kit (10, 12, 13, 14)	VKK17	1
	Complete Rebuild Kit (K17GASKETS, K17RINGS, 1, 13 & Synth Blend Oil)	K17REPKIT/BLNDSYN	1