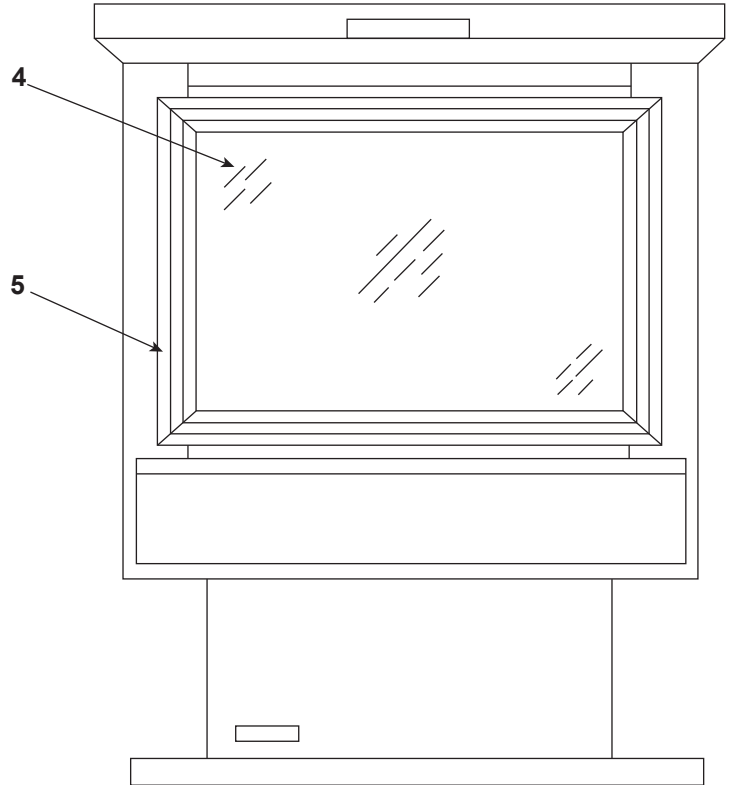
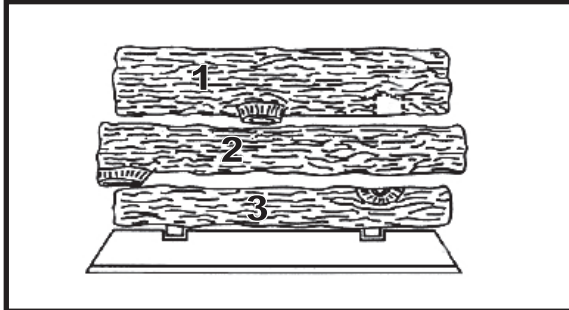


**Log Set Assembly**



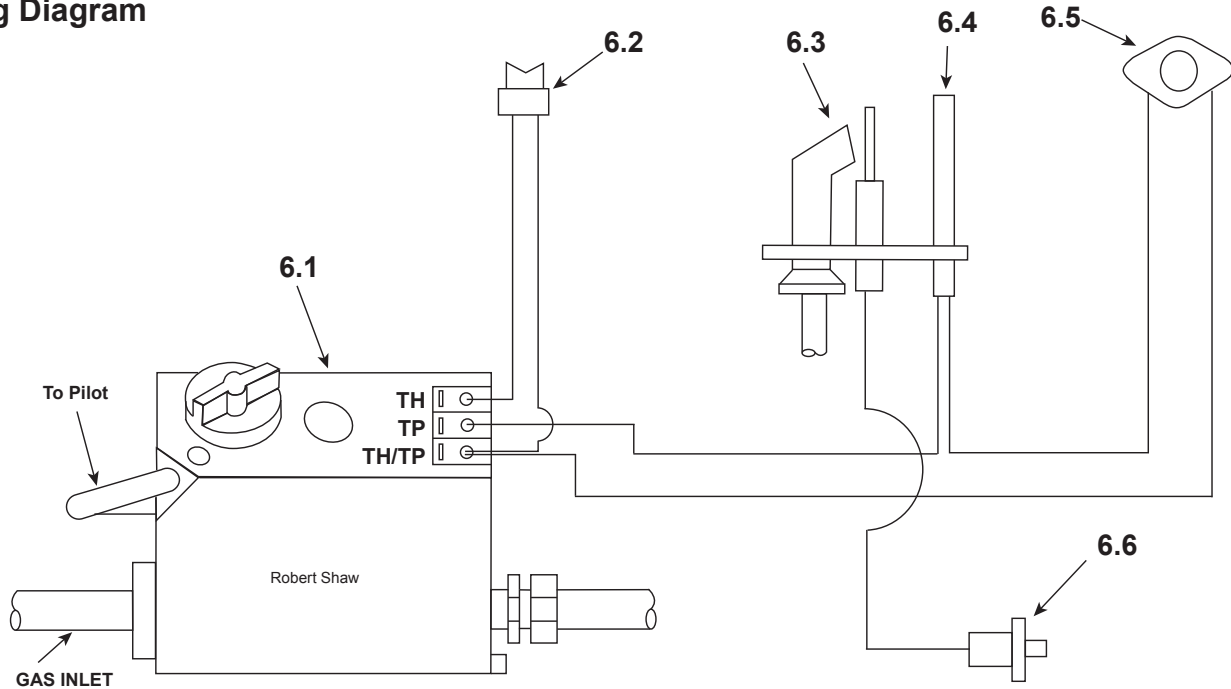
IMPORTANT: THIS IS DATED INFORMATION. Parts must be ordered from a dealer or distributor. **Hearth and Home Technologies does not sell directly to consumers.** Provide model number and serial number when requesting service parts from your dealer or distributor.



**Stocked  
at Depot**

ITEM	DESCRIPTION	COMMENTS	PART NUMBER	
	Log Assembly	No longer available	16769D	
1	Back Log	No longer available	SRV15691	
2	Middle Log	No longer available	SRV15693	
3	Front Log	No longer available	15690C	
4	Glass Panel	No longer available	16274C	
5	Door Assembly	No longer available	16273B	
	Ashlip	No longer available	17252B	
	Brass Trim	No longer available	16253B	
	Mineral Wool	Qty 2 req	SRV14333	
	Side Door Seal	No longer available	16268B	
	Top Door Seal	No longer available	16264A	
	Vermiculite		28746	
	Installation and Operating Instructions		17222	

**#6 Standing Pilot Ignition  
Wiring Diagram**



IMPORTANT: THIS IS DATED INFORMATION. Parts must be ordered from a dealer or distributor. **Hearth and Home Technologies does not sell directly to consumers.** Provide model number and serial number when requesting service parts from your dealer or distributor.



**Stocked  
at Depot**

ITEM	DESCRIPTION	COMMENTS	PART NUMBER	
6.1	Valve (R/S) - NG		060-500	Y
	Valve (R/S) - LP		SRV25810	Y
	Valve (W/R) - NG		SRV71492	Y
	Valve (W/R) - LP	No longer available	71485	
6.2	ON/OFF Rocker		SRV060-511	Y
6.3	Pilot Assembly - with Thermopile - NG		4021-728	Y
	Pilot Assembly - with Thermopile - LP		4021-729	Y
6.4	Thermopile		2103-512	Y
6.5	High Limit Switch		SRV24968	Y
6.6	Push Button Ignitor		291-513	Y
	Burner	No longer available	18072C	
	Burner Orifice (.093) - NG		SRV16752	Y
	Burner Orifice (.059) - LP		SRV13445	Y
	Burner Supply Tube	No longer available	16242B	
	Pilot Tube Kit		26471	Y
	Conversion Kit NG	Not available for White Rogers	CKN	Y
	Conversion Kit LP		CKP	Y
	Pilot Orifice (.021) - NG		SRV446-505	Y
	Pilot Orifice (.0115) - LP		SRV446-517	Y