

OPERATION AND PARTS MANUAL



MODEL MP3 MASONRY SAW (3HP SINGLE-PHASE ELECTRIC MOTOR)

Revision #2 (10/08/19)

THIS MANUAL MUST ACCOMPANY THE EQUIPMENT AT ALL TIMES.

SUGGESTED SPARE PARTS

MP3 MASONRY SAW WITH ELECTRIC MOTOR

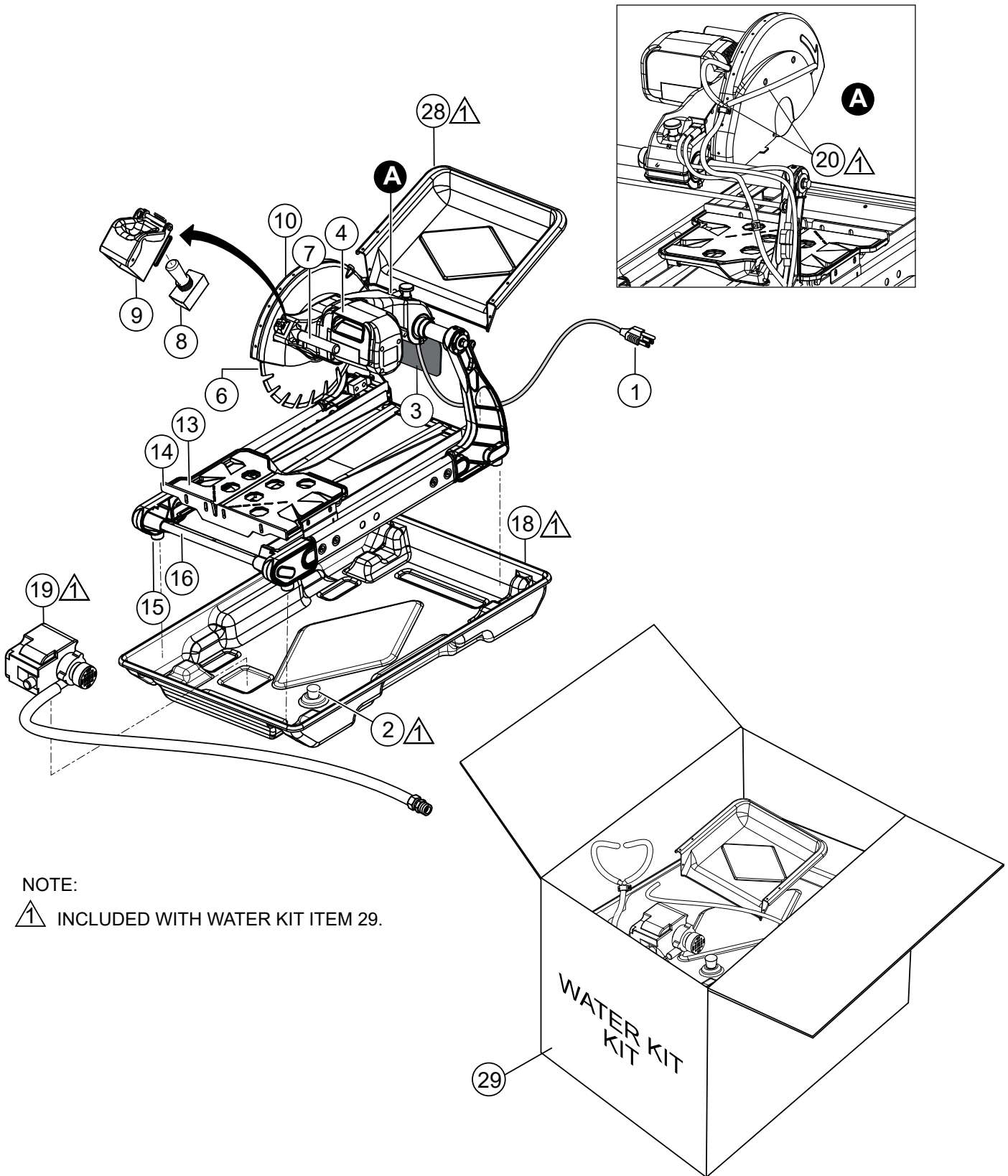
1 to 3 units

Qty.	P/N	Description
1.....	TS100003.....	POWER TOGGLE SWITCH
3.....	MS25099.....	CARBON BRUSH
1.....	TS100027.....	WATER PUMP
1.....	MS141137.....	ALUMINUM MOTOR COMP.
1.....	MS25077.....	AIR FILTER

NOTICE

Part numbers on this Suggested Spare Parts list may supersede/replace the part numbers shown in the following parts lists.

MAIN SAW ASSY.



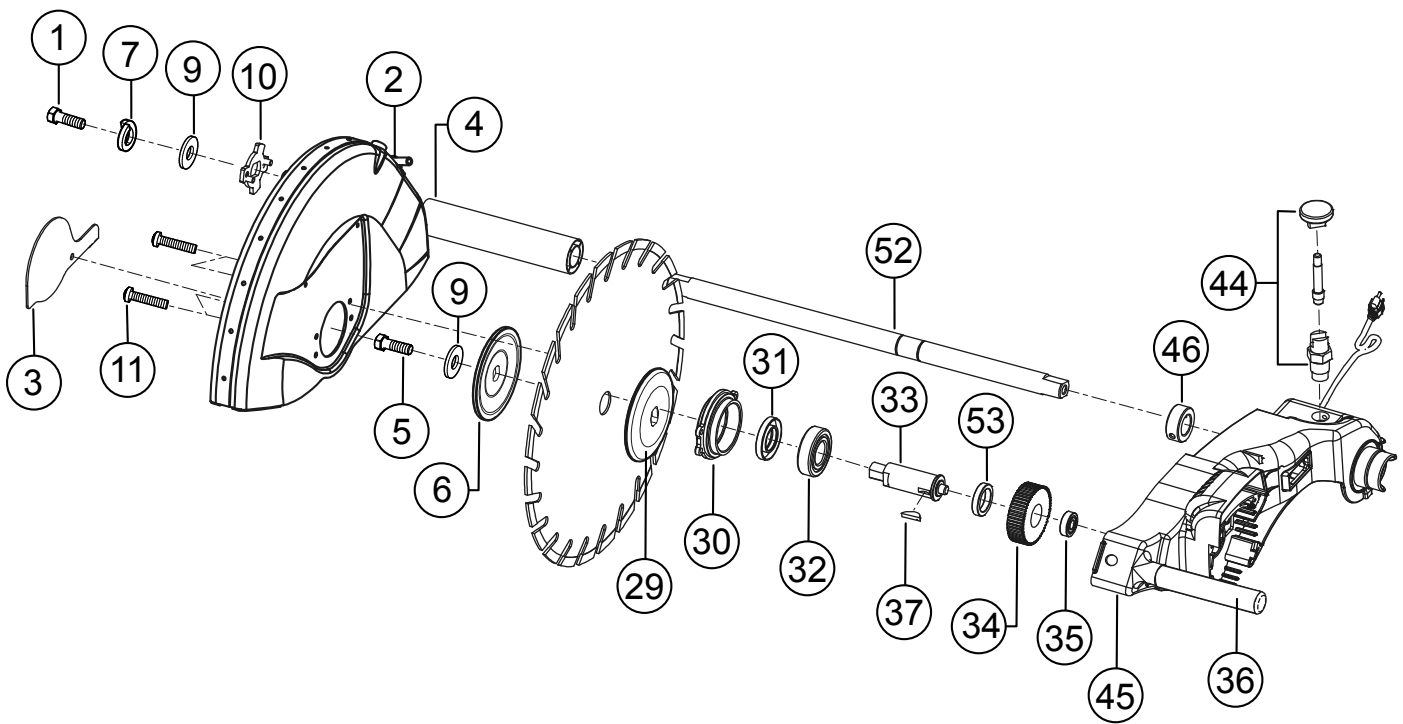
NOTE:

 INCLUDED WITH WATER KIT ITEM 29.

MAIN SAW ASSY.

<u>NO.</u>	<u>PART NO.</u>	<u>PART NAME</u>	<u>QTY.</u>	<u>REMARKS</u>
1	MS141001	POWER CABLE, MOTOR	1	
2#	S1000-48	DRAIN PLUG	1	
3	TS141028	SPLASH GUARD, RUBBER	1	
4	MS141049	MOTOR INTAKE COVER, PLASTIC	1	
6		BLADE, DIAMOND	1CONTACT UNIT SALES DEPT.
7	MS25062PR	BAR HANDLE	1	
8	TS100003	POWER TOGGLE SWITCH, ON/OFF	1	
9	MS100003	TOGGLE SWITCH SAFETY BRACKET	1	
10	MS141002M	BLADE GUARD	1	
13	141023	CUTTING TABLE ASSY.	1	
14	MS141022	GUIDE, RULER	1	
15	TS141029	RUBBER SUPPORT FOOT	4	
16	MS141019	FRAME CROSS TUBE	1	
18#	MS141024	WATER TRAY	1	
19#	TS100027	WATER PUMP (115V/60HZ)	1	
20#	TS141063	VINYL HOSE KIT	1	
28#	TS141061	REAR SPLASH PAN	1	
29	MS3WK	WATER KIT (OPTION).....	1INCLUDES ITEMS W/# CONTACT UNIT SALES DEPT

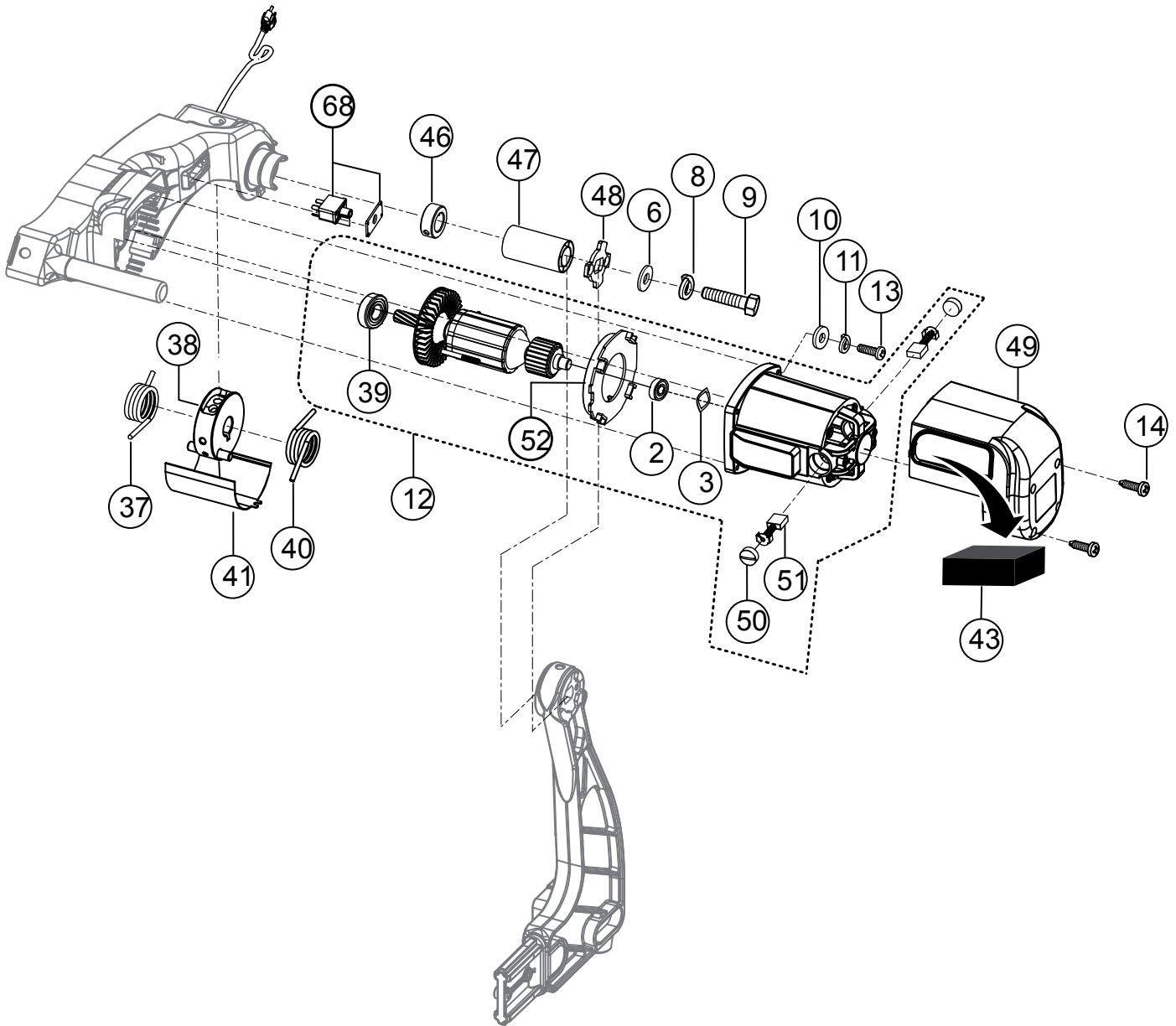
BLADE GUARD ASSY.



BLADE GUARD ASSY.

<u>NO.</u>	<u>PART NO.</u>	<u>PART NAME</u>	<u>QTY.</u>	<u>REMARKS</u>
1	MS0302	SCREW	1	
2	MS141002M	BLADE GUARD	1	
3	MS25031PR	ARBOR COVER GUARD	1	
4	MS141004	CROSS BAR TUBE	1	
5	MS25032	BLADE LOCKING BOLT	1	
6	MS25034PR	FLANGE, OUTER	1	
7	0307	WASHER, LOCK, M10	1	
9	0306	WASHER, FLAT M10	2	
10	MS141048	CROSSBAR POSITION BRACKET	1	
11	MS25058	SCREW, BLADE GUARD SECURITY	4	
29	MS25035PR	FLANGE, INNER	1	
30	MS25039	BLADE SHAFT RETAINING PLATE	1	
31	MS25161	OUTER SHAFT SPACER	1	
32	MS25160	OUTER SHAFT BEARING	1	
33	MS25157	BLADE SHAFT	1	
34	MS25158	BLADE SHAFT GEAR	1	
35	MS25153	OUTER MOTOR BEARING	1	
36	MS25062PR	BAR HANDLE	1	
37	MS25156	WOODRUFF KEY	1	
44	MS2504395	CUTTING HEAD LOCKING PIN	1	
45	MS141045M	CUTTING HEAD	1	
46	MS25025PR	COLLAR, CUTTING HEAD	1	
52	MS141052	CUTTING HEAD PIVOT BAR	1	
53	MS25159	INNER DRIVE SHAFT SPACER	1	

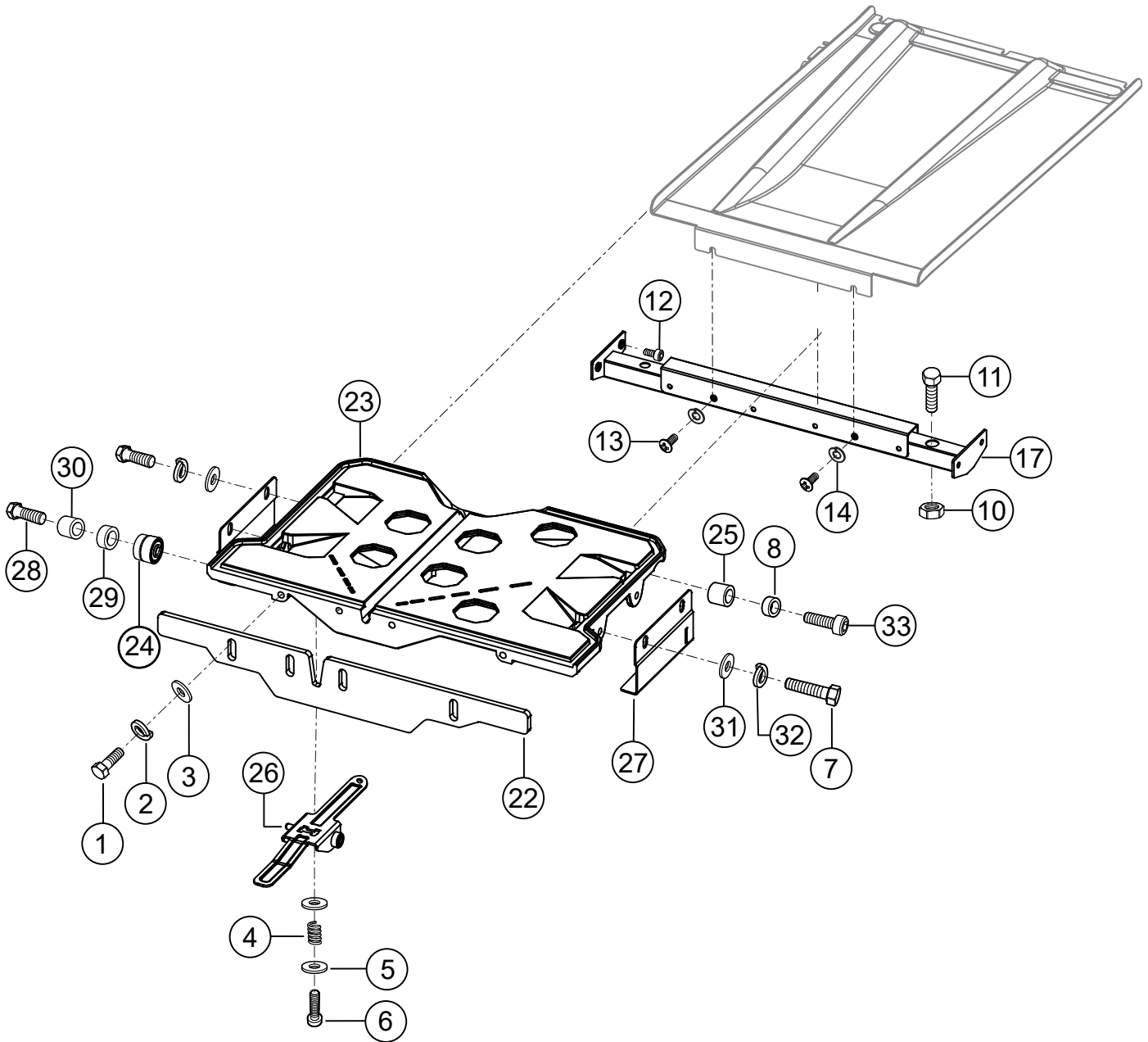
ELECTRIC MOTOR ASSY.



ELECTRIC MOTOR ASSY.

<u>NO.</u>	<u>PART NO.</u>	<u>PART NAME</u>	<u>QTY.</u>	<u>REMARKS</u>
2#	MS25153	BEARING, MOTOR OUTER	1	
3#	141084	WAVE WASHER	1	
6	0306	WASHER, FLAT M10	1	
8	0307	WASHER, LOCK M10	1	
9	MS0305	SCREW, CROSSBAR	1	
10	25054	WASHER, FLAT M5	1	
11	11725	WASHER, LOCK M5.....	1.....	REPLACES P/N 25053
12	MS141137	ALUMINUM MOTOR, COMPLETE.....	1.....	INCLUDES ITEMS W/#
13	MS25155	MOTOR HOUSING SCREW	4	
14	MS25105	SCREW, PHILLIPS PAN	4	
37	MS250221PR	TENSION SPRING, OUTSIDE	1	
38	MS25020PR	CUTTING HEAD ANGLE BRACKET	1	
39#	MS25150	MOTOR BEARING, INNER	1	
40	MS25022PR	TENSION SPRING, INSIDE	1	
41	MS141041M	SPRING COVER	1	
43	MS25077	AIR FILTER	1	
46	MS25025PR	LOCKING COLLAR, PIVOT TUBE	1	
47	MS141047	CROSSBAR PIVOT TUBE, (SHORT)	1	
48	MS141048	CROSSBAR PIVOT BRACKET	1	
49	MS141049	MOTOR END COVER	1	
50#	MS25098	CARBON BRUSH CAP	2	
51#	MS25099	CARBON BRUSH (2-PIECE SET)	2	
52#	MS25152	MOTOR RETAINING PLATE	1	
68	MS141038	CIRCUIT BREAKER	1	

CUTTING TABLE ASSY.

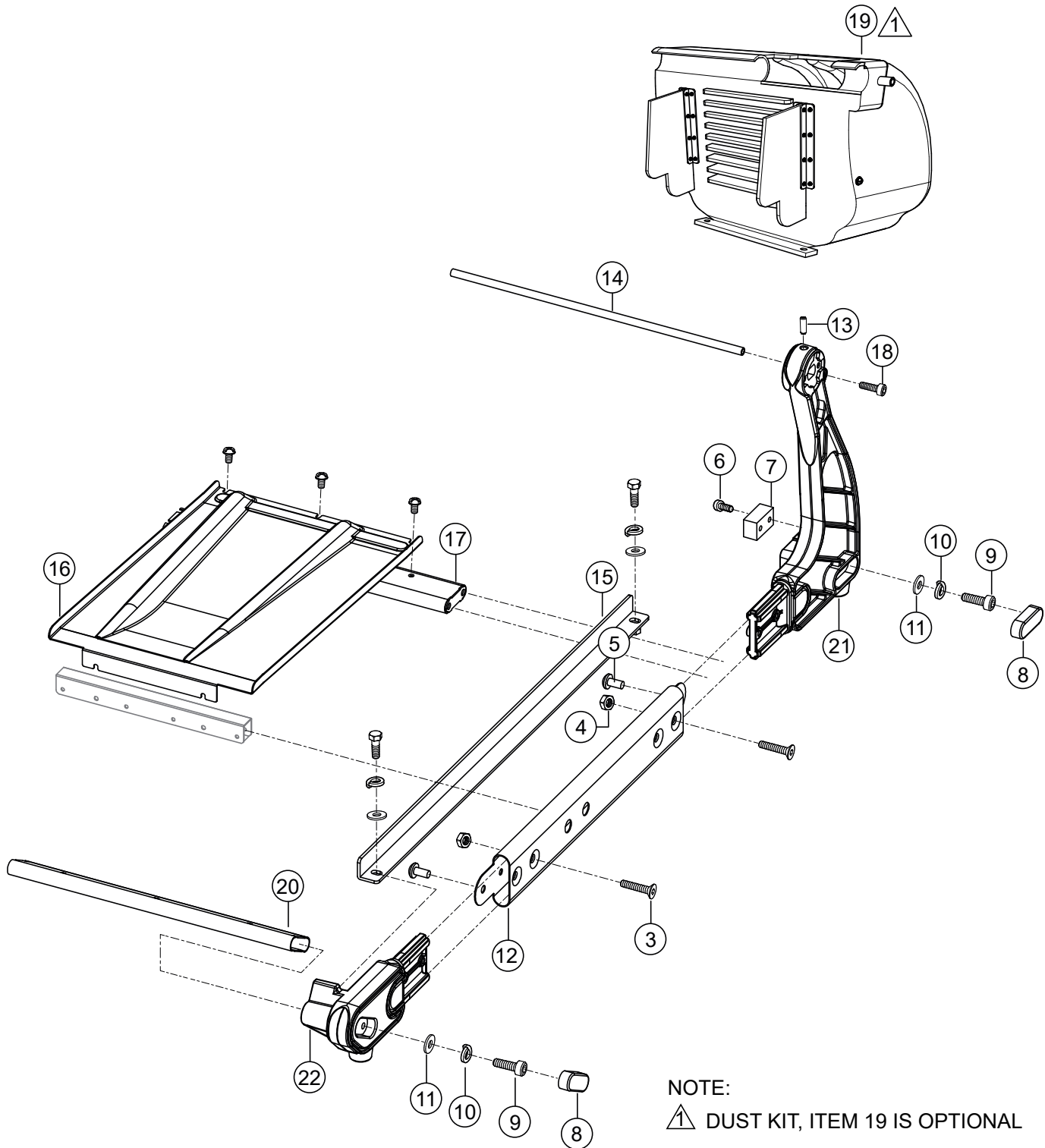


CUTTING TABLE ASSY.

<u>NO.</u>	<u>PART NO.</u>	<u>PART NAME</u>	<u>QTY.</u>	<u>REMARKS</u>
1#	TP0322	HEX BOLT	4	
2#	TS0121	WASHER, LOCK M8	4	
3#	0120	WASHER, NARROW M8	4	
4#	25096	SPRING	1	
5#	0384	WASHER	2	
6#	25095	BOLT	1	
7#	TS11124	LOCK BOLT, M8	1	
8	420246	SPACER	2	
10	0610001	NUT, M6	2	
11	150016	HEX BOLT, M6	2	
12	150331	SCREW, M6	4	
13	25100	CROSS SCREW M5	2	
14	11725	SPRING LOCK WASHER M5.....	2.....	REPLACES P/N 25053
17	MS141017M	METAL PAN BRACKET	1	
22#	MS141022	RULER GUIDE, CUTTING TABLE	1	
23	MS141023	CUTTING TABLE COMPLETE	1.....	INCLUDES ITEMS W/#
24#	MS1000J24	WHEELS, ROLLER U-SHAPED (2-PC. SET)	1	
25#	MS141025	WHEELS, ROLLER, SOLID (2-PC. SET)	1	
26#	MS2509495	TABLE LOCK BRACKET	1	
27#	141013	"L" BRACKET, TABLE	1	
28	01161	HEX BOLT, M8	2	
29	150070	SPACER	2	
30	150070.1	SPACER	2	
31	0120	WASHER, NARROW M8	2	
32	0121	WASHER, SPRING LOCK M8	2	
33	1061	BOLT, M8	2	

RIGHT-SIDE SAW ASSY.

RIGHT-SIDE MAIN SAW ASSEMBLY.
VIEW FROM OPERATOR'S POSITION.

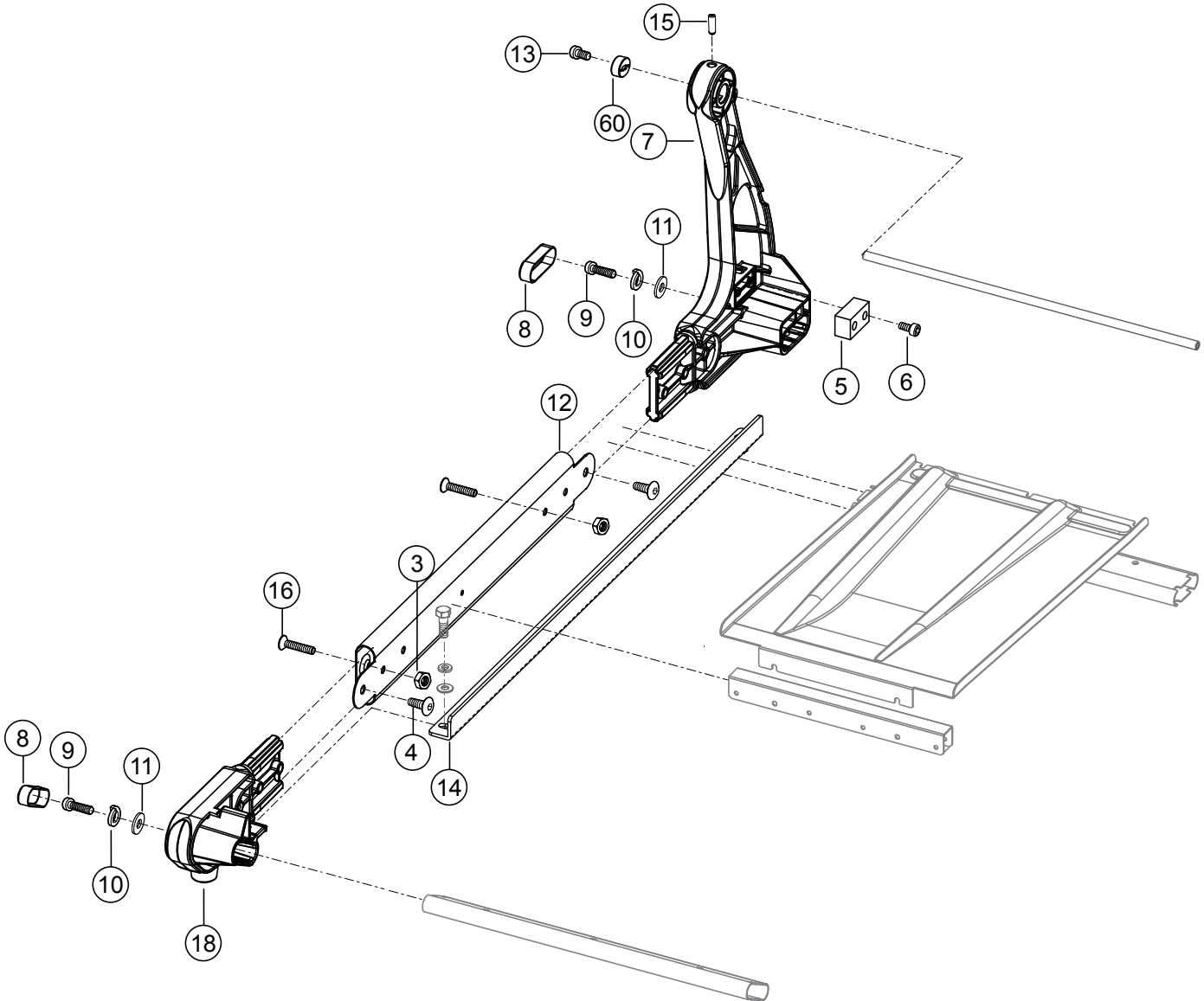


RIGHT-SIDE SAW ASSY.

<u>NO.</u>	<u>PART NO.</u>	<u>PART NAME</u>	<u>QTY.</u>	<u>REMARKS</u>
3	150214	SCREW, SHC M8	4	
4	0155	NUT, M8	4	
5	150338	SCREW, SHH M10	3	
6	150333	SCREW, SHH M6	2	
7	MS12142	RUBBER STOP	1	
8	MS141008	RUBBER CAP COVER	2	
9	1061	SCREW, SHH M8	2	
10	0121	WASHER, LOCK M8	2	
11	0120	WASHER, NARROW M8	2	
12	MS141010M	SIDE FRAME	1	
13	25102	SET SCREW, M10 FLAT POINT	1	
14	MS141012	PIVOT BAR	1	
15	MS25015PR	CUTTING TABLE RAILS (2-PC. SET)	1	
16	MS141014	METAL SAW PAN	1	
17	MS141015	REAR PAN CROSS TUBE	1	
18	MS0305	SCREW, M10	1	
19	MP3DK	DUST KIT.....	1	OPTIONAL-CONTACT UNIT SALES DEPT.
20	MS141019	FRONT PAN CROSS TUBE	1	
21	MS141020M	REAR FRAME SUPPORT, RIGHT SIDE	1	
22	MS141021M	FRONT FRAME JOINT, RIGHT SIDE	1	

LEFT-SIDE SAW ASSY.

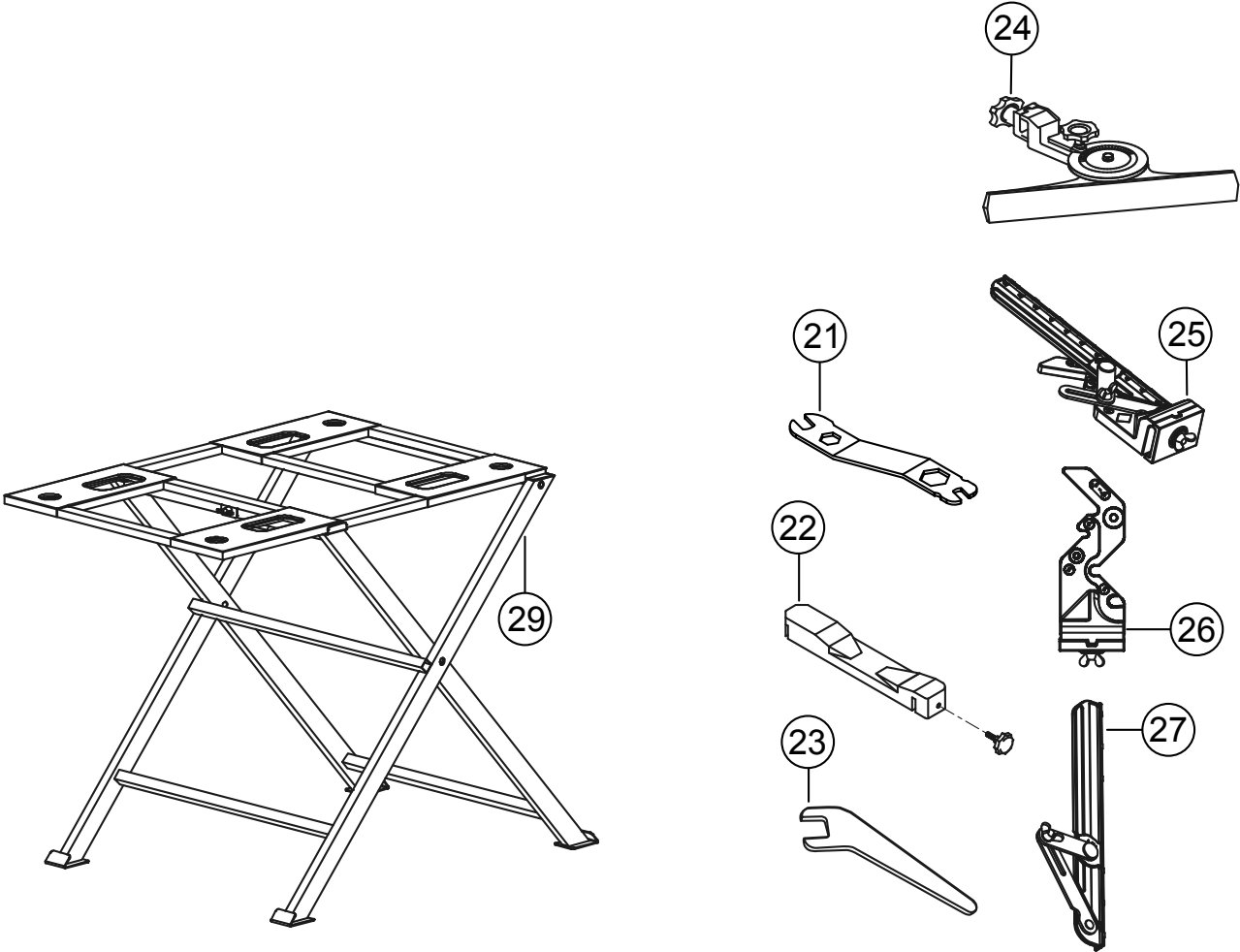
LEFT-SIDE MAIN SAW ASSEMBLY.
VIEW FROM OPERATOR'S POSITION.



LEFT-SIDE SAW ASSY.

<u>NO.</u>	<u>PART NO.</u>	<u>PART NAME</u>	<u>QTY.</u>	<u>REMARKS</u>
3	0155	NUT, M8	4	
4	150338	SCREW, SHH M10	3	
5	MS12142	RUBBER STOP	1	
6	150333	SCREW, SHH M6	2	
7	MS141007M	REAR FRAME SUPPORT, LEFT SIDE	1	
8	MS141008	RUBBER CAP COVER	2	
9	1061	SCREW, SHH M8	2	
10	0121	WASHER, LOCK M8	2	
11	0120	WASHER, NARROW M8	2	
12	MS141010M	SIDE FRAME	1	
13	MS0305	SCREW, M10	1	
14	MS25015PR	CUTTING TABLE RAILS (2-PC. SET)	1	
15	25102	SET SCREW, FLAT POINT M10	1	
16	150214	SCREW, SHC M8	4	
18	MS141018M	LEFT FRONT JOINT	1	
60	141060	STOPPER, POSITION CROSS BAR	1	

TOOLS AND ACCESSORIES



TOOLS AND ACCESSORIES

<u>NO.</u>	<u>PART NO.</u>	<u>PART NAME</u>	<u>QTY.</u>	<u>REMARKS</u>
21	MS100041	WRENCH, MULTIPLE USE	1.....	INCLUDED ACCESSORY
22	TS100035	RIP GUIDE, 45°/90°	1.....	INCLUDED ACCESSORY
23	MS141037	WRENCH, 19MM.....	1.....	INCLUDED ACCESSORY
24	MS100044	ANGLE GUIDE, 180°	1.....	OPTIONAL ACCESSORY
25	MS1000MG	MASTER GUIDE.....	1.....	OPTIONAL ACCESSORY
26	MS1000MG1	MASTER ANGLE GUIDE	1.....	OPTIONAL ACCESSORY
27	MS1000MG2	MASTER RULER GUIDE.....	1.....	OPTIONAL ACCESSORY
29	MS3SS	SUPPORT STAND KIT	1.....	OPTIONAL ACCESSORY