

FIGURE 1 - MK-1280 SAW - P/N 166561

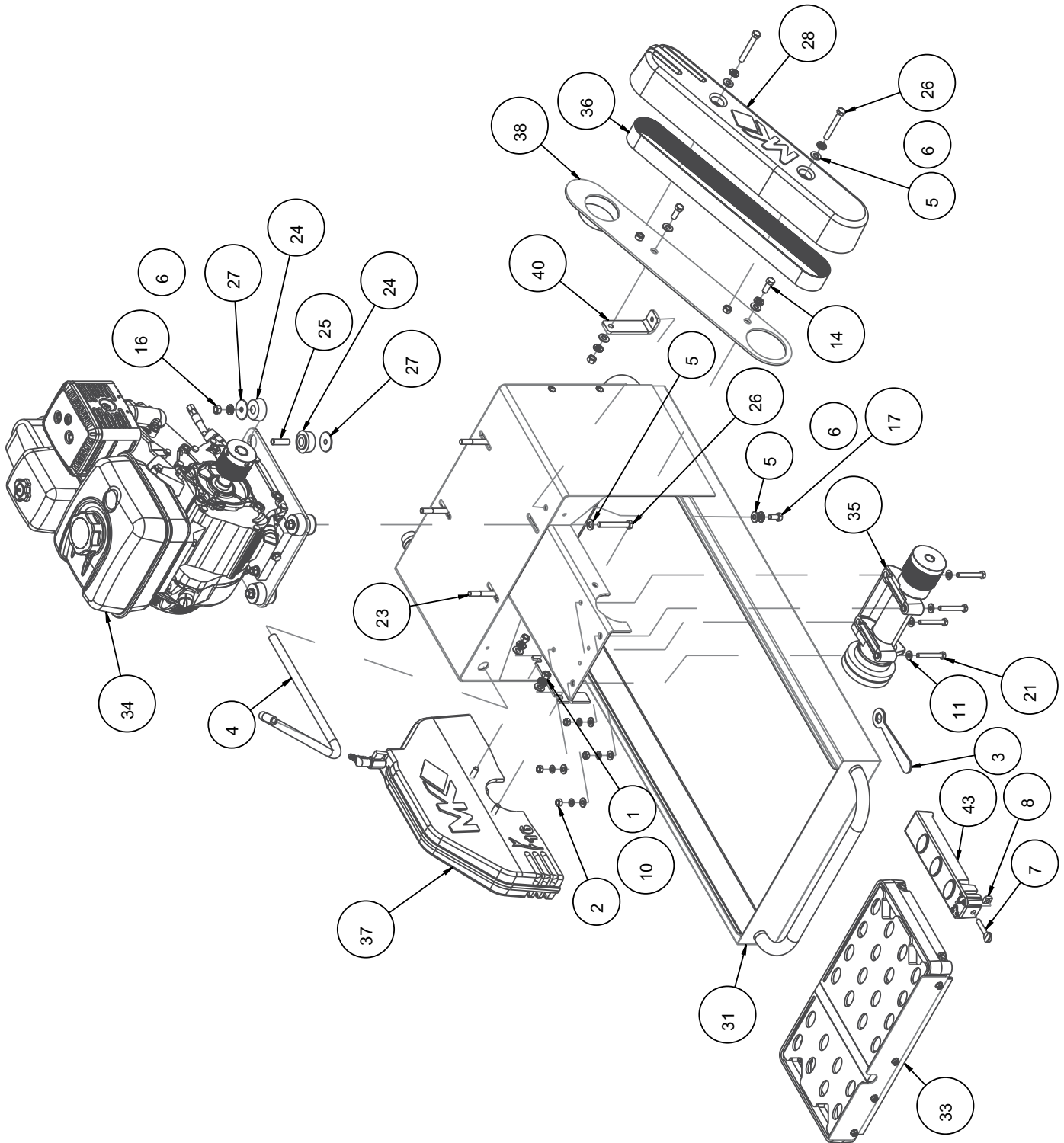


FIGURE 1 - MK-1280 PAVER SAW - P/N 166561

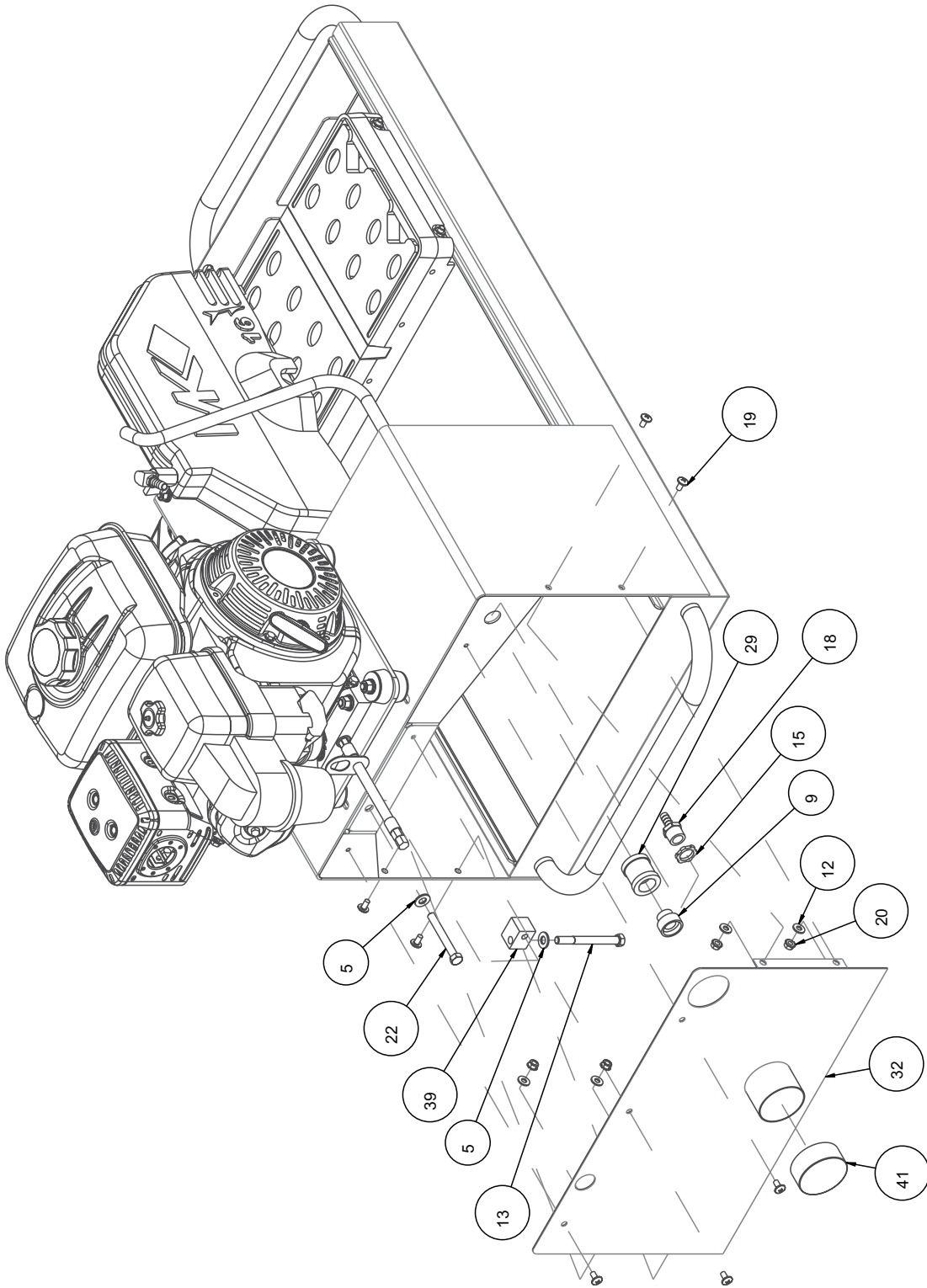
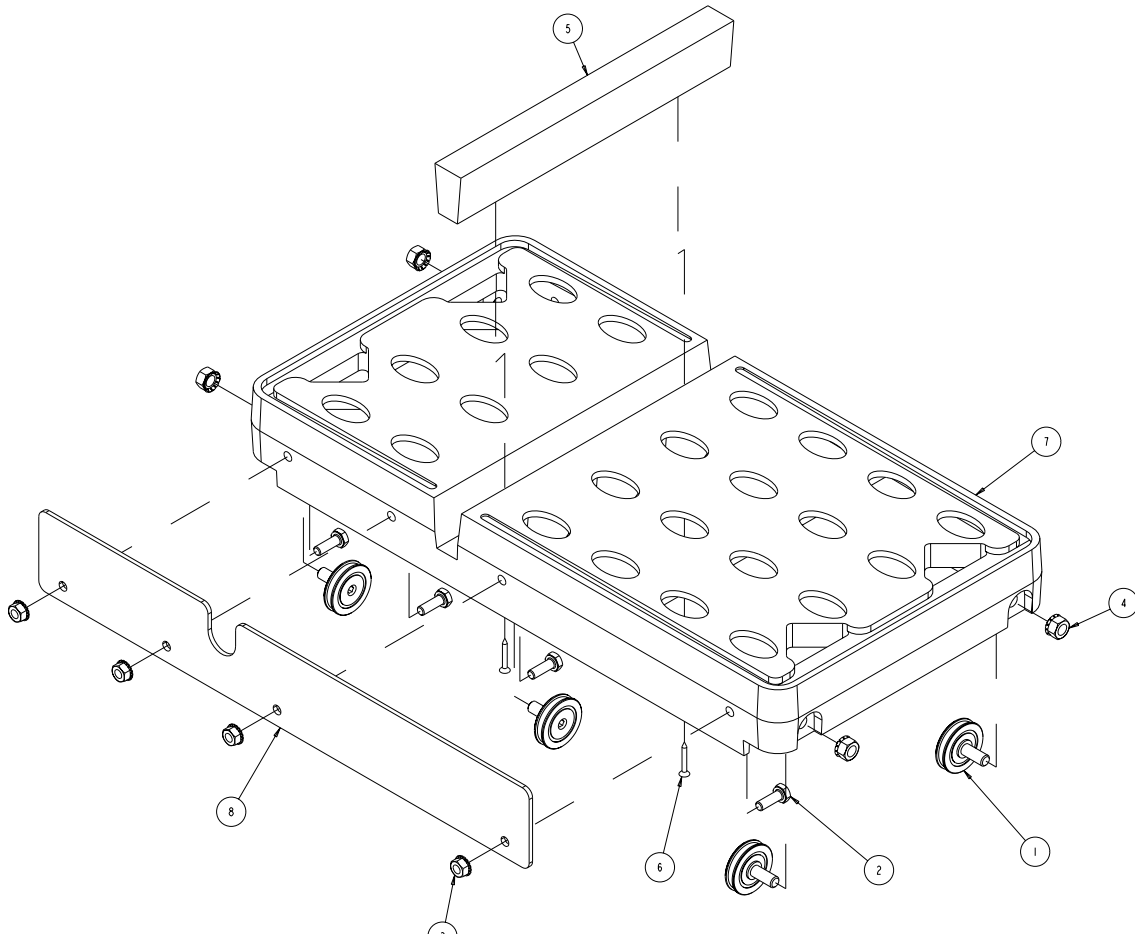


FIGURE 1 - MK-1280 PAVER SAW - P/N 166561

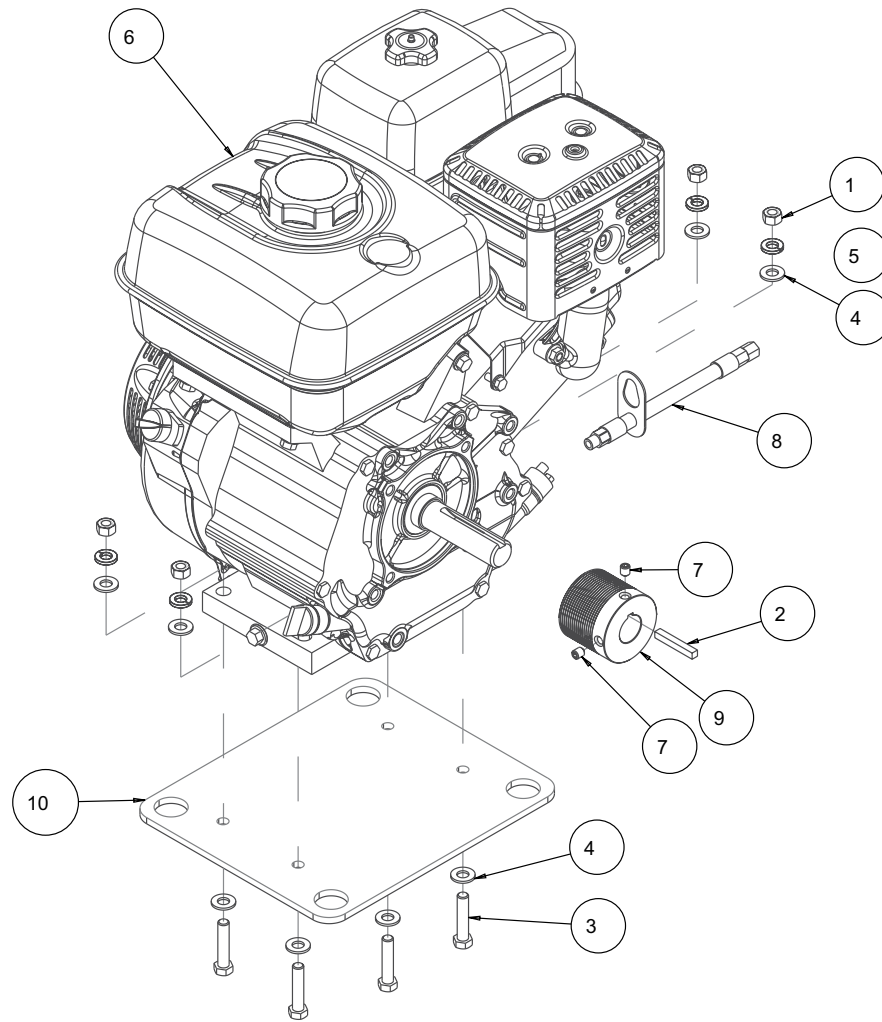
ITEM	DESCRIPTION	PART #	QTY
1	NUT, 3/8-16 HEX	101188	3
2	NUT, HEX, 5/16 - 18	101196	4
3	WRENCH, 3/4 BOX END	134056	1
4	HOSE, WATER VINYL 3/8 X 1/2, 30'	150845	1
5	WASHER, 3/8 SAE FLAT	150923	13
6	WASHER, 3/8 SPLIT LOCK	150925	11
7	SCREW, THUMB 5/16-18 X 1 - 1/2	151155	1
8	NUT, SQUARE 5/16-18	151156	1
9	FITTING, 1/2 MNPT X 3/4 FNH	151322	1
10	WASHER, LOCK, SPLIT, 5/16	151747	4
11	WASHER, FLAT, SAE, 5/16	151754	8
12	WASHER, 1/4 SAE, FLAT	151915	4
13	SCREW, 3/8 - 16 X 3-3/4 HEX HD CAP	152504	1
14	SCREW, HEX HD CAP, 3/8 - 16 X 1	152507	2
15	NUT, LOCK STEEL 1/2" NPT	152729	1
16	NUT, 3/8 -16 HEX CENTERLOCK	153522	4
17	SCREW, HEX, 3/8 -16 X 3/4	153527	1
18	FITTING, 1/2 MNPT X 3/8 BARB	153653	1
19	SCREW, 1/4 - 20 X 1/2 TRUSS HEAD	153880	7
20	NUT, HEX TW, 1/4 - 20	153941	4
21	SCREW, HEX, 5/16 - 18 X 2 - 1/4	153951	4
22	BOLT, HEX HEAD TAP, 3/8 - 16 X 3	155830	1
23	SCREW, 3/8 - 16 X 2 - 1/2 HEX HEAD CAP	156030	2
24	MOUNT, SHOCK MK-5000	156105	8
25	STAND OFF, SHOCK MOUNT	156560	4
26	SCREW, HEX HD CAP, 3/8 - 16 X 2 - 3/4	156774	3
27	WASHER, FENDER, 3/8 ID X 1-1/2 OD	158523	8
28	BELT GUARD, OUTER, ARBOR, COMP	160888	1
29	FITTING, 1/2 NPT COUPLER	164208	1
30	ASSY, WARN LBL, MASNRY ELEC GAS	166011-GAS	1
31	FRAME, MAIN MK-1280	166555	1
32	BACKSPLASH, MK-1280	166576	1
33	ASSY, TABLE, MK-1280	166577	1
34	ASSY, ENGINE, HONDA, MK-1280	166578	1
35	ASSY, ARBOR, MK-1280	166579	1
36	BELT, 16J420	166580	1
37	ASSY, BLADE GUARD, 16", MK-1280	166581	1
38	GUARD, BELT, INNER	166585	1
39	GUIDE, TENSION	167750	1
40	BRACKET, BELT GUARD	167763	1
41	CAP, VACUUM	167777	1
42	OWNER'S MANUAL, MK-1280	168579	1
43	CASTING, SQUARING ARM-COMP	231276	1

FIGURE 2 - ASSY, TABLE - P/N 166577



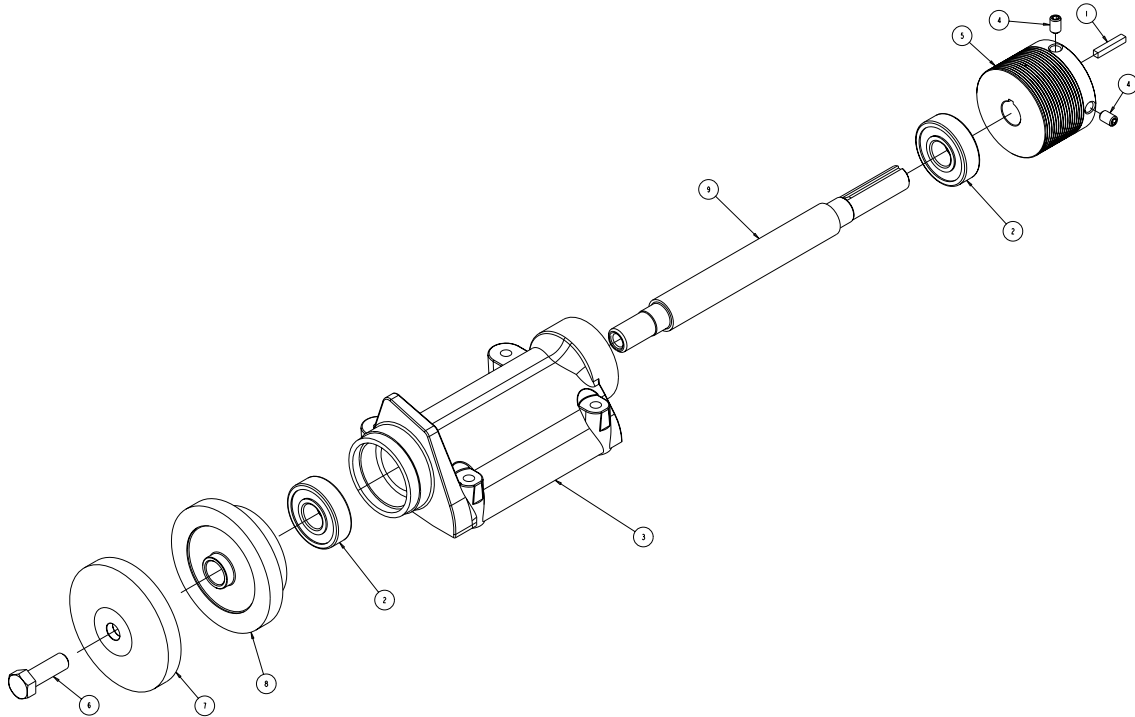
ITEM	DESCRIPTION	PART #	QTY
1	WHEEL, CONVEYOR CART	133090	4
2	SCREW, HEX HD, 1/4 - 20 X 3/4	152370	4
3	NUT, HEX W/WSHR, 1/4 - 20	153941	4
4	NUT, HEX, TW, 5/16 - 18	153942	4
5	WOOD STRIP, TABLE INSERT	158283	1
6	SCREW, DRYWL, FLAT HD, #6X1	159906	2
7	CASTING, TABLE, MK-1280	165398	1
8	BACKSTOP, TABLE	166584	1

FIGURE 3 - ASSY, ENGINE, HONDA - P/N 166578



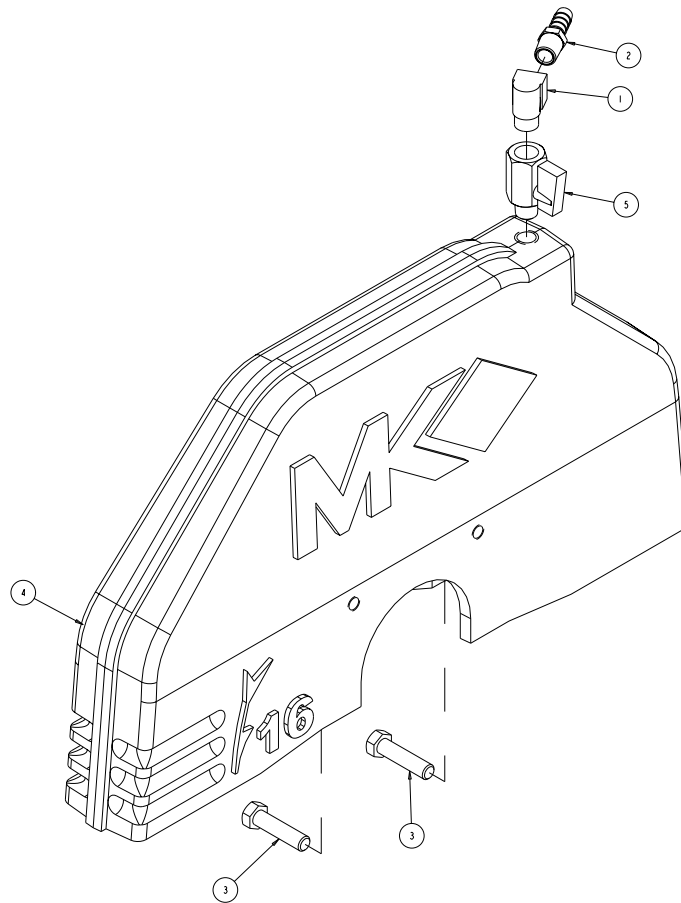
ITEM	DESCRIPTION	PART #	QTY
1	NUT, 3/8 - 16 HEX	101188	4
2	KEY, SQUARE, 1/4 X 1-3/4	150796	1
3	SCREW, 3/8 - 16 X 1-3/4 HEX HD	150920	4
4	WASHER, 3/8 SAE FLAT	150923	8
5	WASHER, 3/8 SPLIT LOCK	150925	4
6	ENGINE, HONDA GX270	155396	1
7	SCREW, SET, KNR CUP, 5/16 - 18 X 3/8	157083	2
8	ASSY, OIL DRAIN, 10MM	157577-01	1
9	PULLEY, 16J25 X 1.0 BORE	158470	1
10	PLATE, MOTOR MOUNT	166556	1

FIGURE 4 - ASSY, ARBOR - P/N 166579



ITEM	DESCRIPTION	PART #	QTY
1	KEY, 3/16 SQ X 1 - 1/8	150344	1
2	BEARING, ARBOR HOUSING	154594	2
3	CASTING, 2000/5000 ARBPR - COMP	154637	1
4	SCREW, 5/16 - 18 X 3/8 SOCKET HEAD SET	157084	2
5	PULLEY, 16J28 X .75 BORE	160362	1
6	SCREW, 1/2 - 13 X 1-1/12 HEX HEAD, LEFT HAND	160818	1
7	FLANGE, OUTER, MASONRY, 4"	161304	1
8	FLANGE, INNER, MASONRY, 4"	161305	1
9	SHAFT, BLADE	166586	1

FIGURE 5 - ASSY, 16" BLADE GUARD - P/N 166581



ITEM	DESCRIPTION	PART #	QTY
1	ELBOW, 1/4 MNPT STREET	154615	1
2	FITTING, 1/4 MNPT X 3/8 BARB	154659	1
3	SCREW, HEX HEAD 3/8 - 16 X 1 - 1/2 LG.	156656	2
4	CASTING, BLADE GUARD, 16" - COMP	166558	1
5	VALVE, BALL, 1/4"M TO 1/4"F	231248	1