



Illustrated Parts Breakdown  
Illustration des pièces détachées

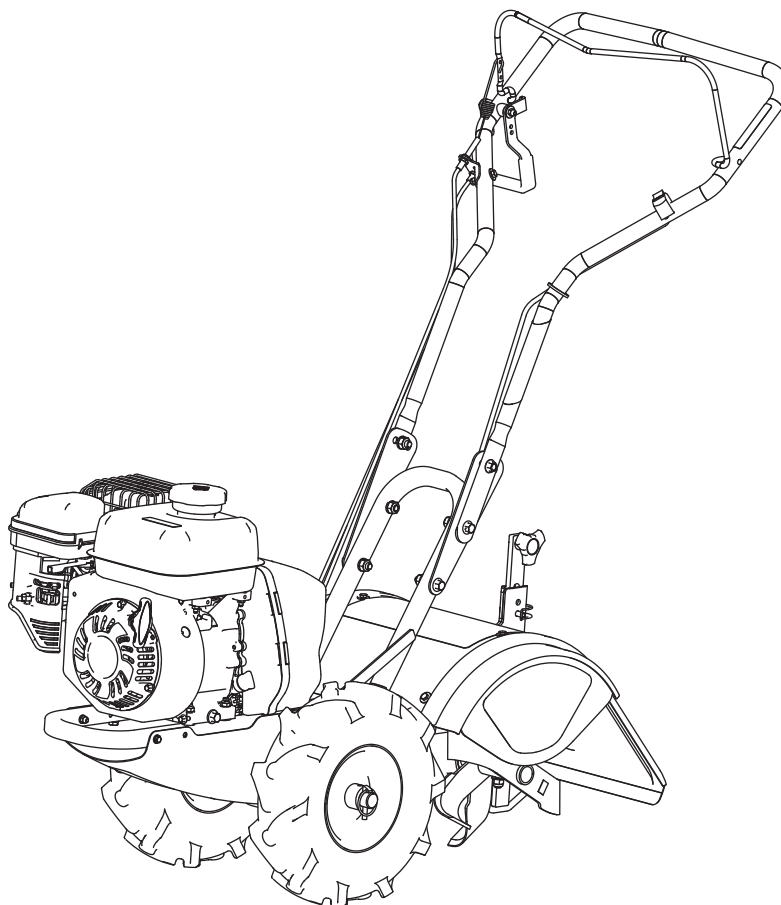
**VICTORY™**  
Rear Tine Tiller

Model Numbers, Numéros de modèle :  
**33970**

ENGLISH

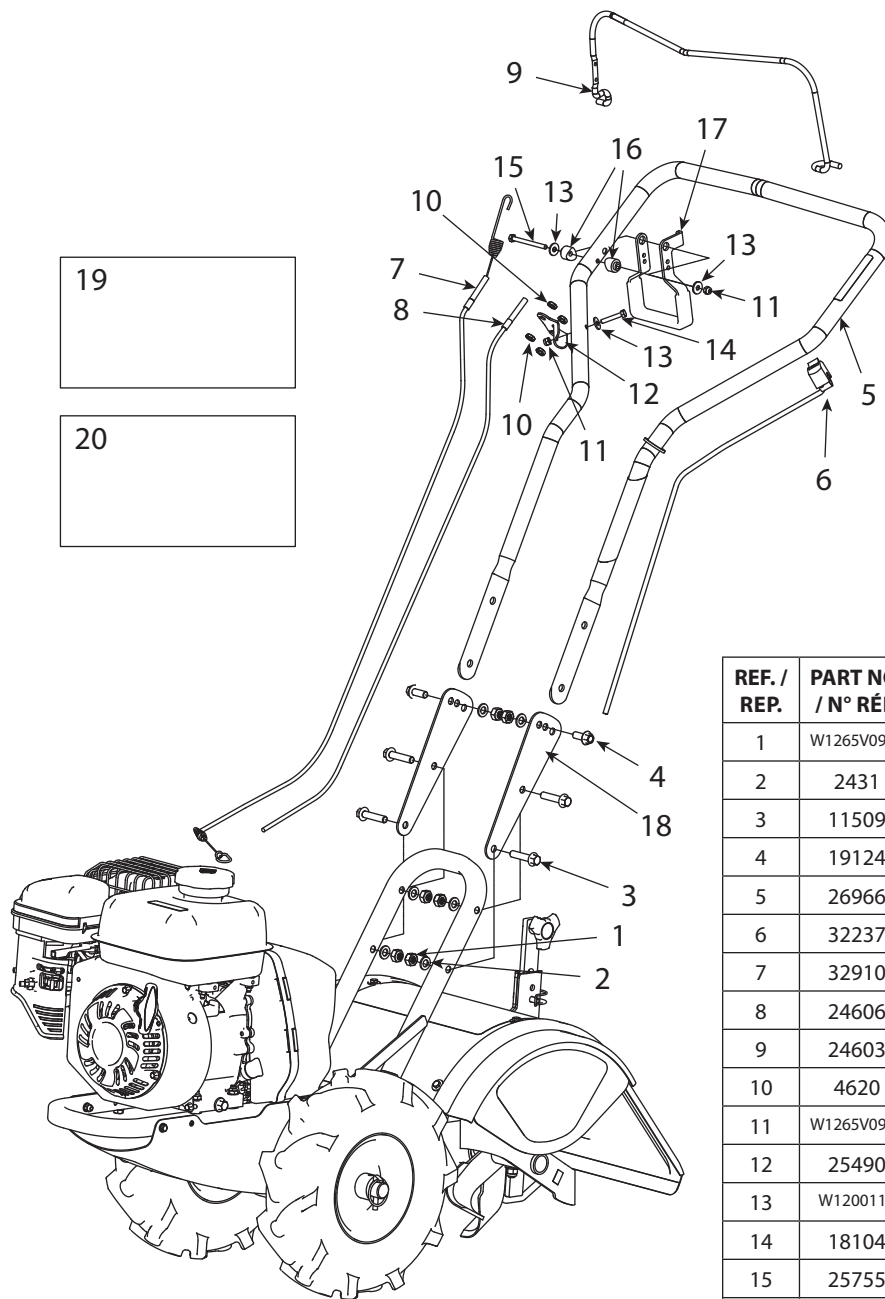
FRANÇAIS

S/N



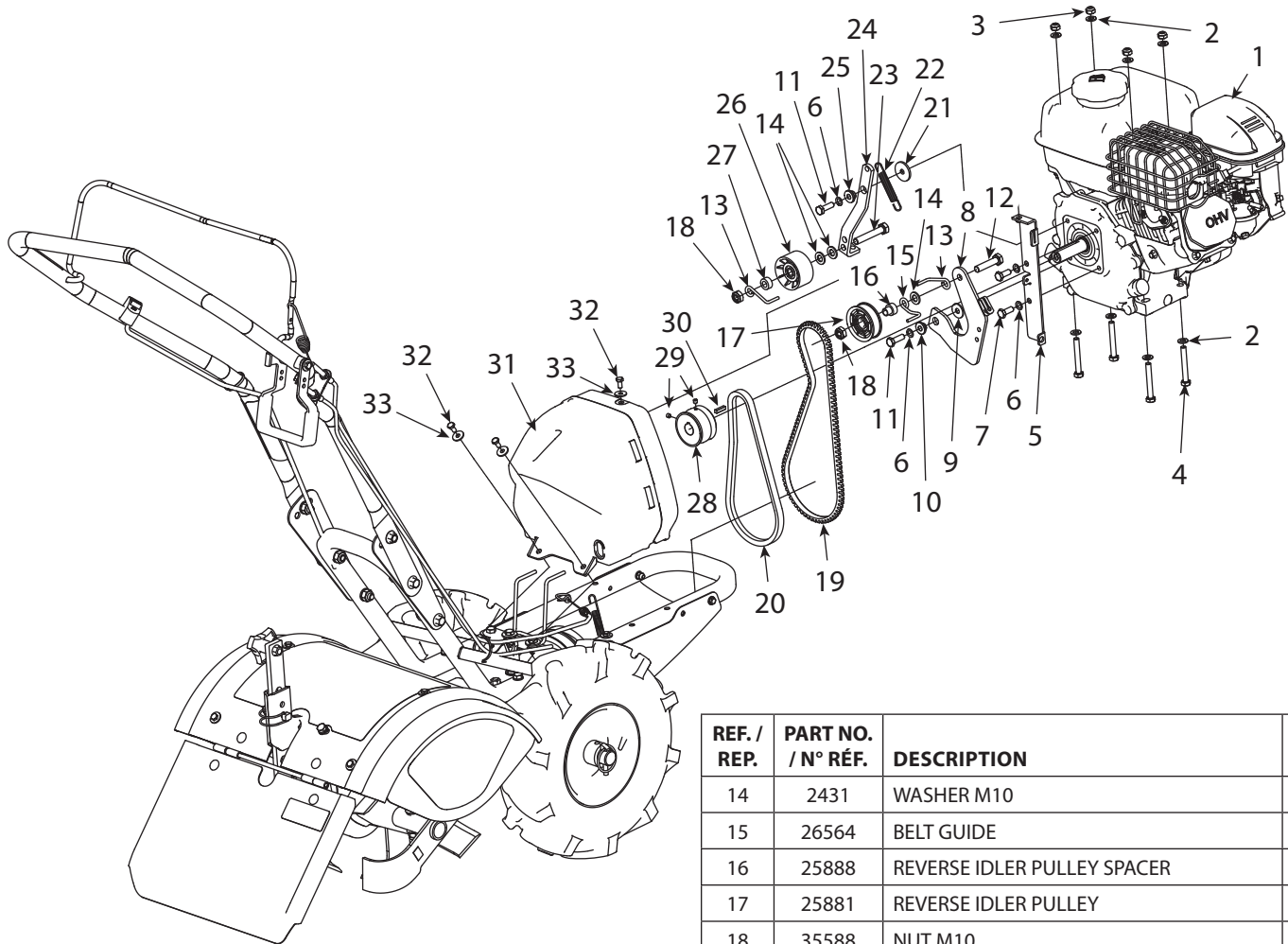
© 2020 Ardisam  
All Rights Reserved  
Tous droits réservés  
P/N: 35582  
ECN:12409  
REV 1: 10/11/2019

**ILLUSTRATED PARTS BREAKDOWN / ILLUSTRATION DES PIÈCES DÉTACHÉES - Handlebar Assembly**



REF. / REP.	PART NO. / N° RÉF.	DESCRIPTION	QTY. / QTÉ
1	W1265V0903	NUT M10	6
2	2431	WASHER M10	6
3	11509	BOLT M10 X 45	4
4	19124	BOLT M10 X 25	2
5	26966	HANDLEBAR	1
6	32237	ON/OFF SWITCH	1
7	32910	FORWARD CABLE	1
8	24606	REVERSE CABLE	1
9	24603	FORWARD DRIVE LEVER	1
10	4620	NUT M8	4
11	W1265V0913	NUT M6	2
12	25490	CABLE BRACKET	1
13	W1200117	WASHER M6	3
14	18104	BOLT M6 X 35	1
15	25755	BOLT M6 X 70	1
16	24610	REVERSE HANDLE SPACER	2
17	25744	REVERSE DRIVE LEVER	1
18	13285	HANDLEBAR ADJUSTMENT PLATE	2
19	35578	MANUAL BAG	1
20	20140	PARTS BAG	1

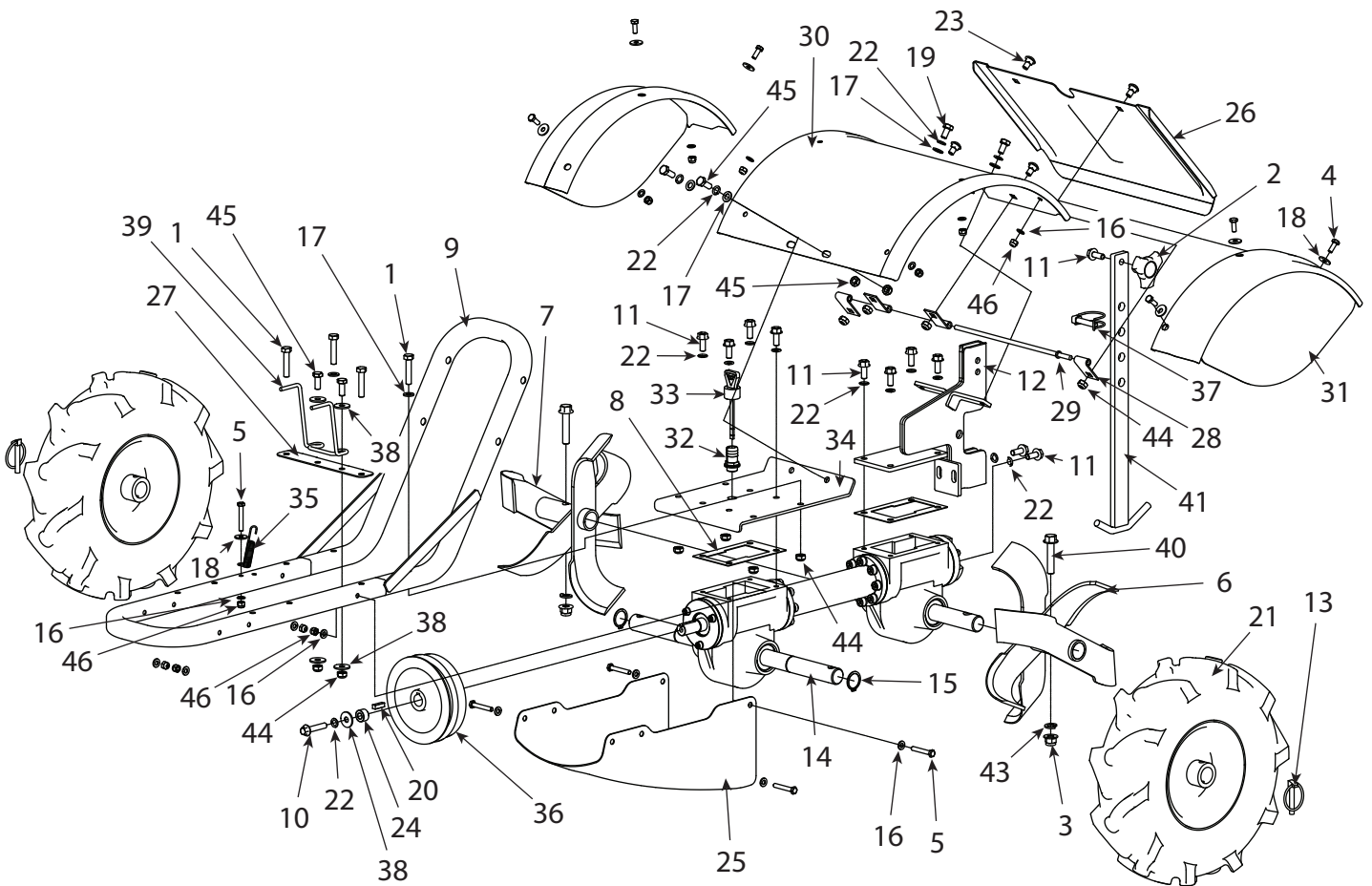
**ILLUSTRATED PARTS BREAKDOWN / ILLUSTRATION DES PIÈCES DÉTACHÉES - Engine & Mount**



REF. / REP.	PART NO. / N° RÉF.	DESCRIPTION	QTY. / QTÉ
1	31776	ENGINE 212CC VIPER	1
2	20143	WASHER M8 SMALL	8
3	W1265V0900	NUT M8	4
4	20144	BOLT M8 X 60	4
5	24614	CABLE MOUNT PLATE	1
6	21640	WASHER M8 SPRING	4
7	W1265V0904	BOLT M8 X 20	2
8	53682	REVERSE ARM	1
9	3245	WASHER M8	1
10	33002	FLANGED REVERSE ARM BUSHING	1
11	13826	BOLT M8 X 25	2
12	20016	BOLT M10 X 45	1
13	25885	BELT GUIDE	2

REF. / REP.	PART NO. / N° RÉF.	DESCRIPTION	QTY. / QTÉ
14	2431	WASHER M10	3
15	26564	BELT GUIDE	1
16	25888	REVERSE IDLER PULLEY SPACER	1
17	25881	REVERSE IDLER PULLEY	1
18	35588	NUT M10	2
19	24995	REVERSE BELT	1
20	32993	FORWARD BELT	1
21	32996	WASHER M8 LARGE	1
22	1407	FORWARD ARM SPRING	1
23	35586	BOLT M10 X 60	1
24	53617	FORWARD ARM	1
25	32994	FLANGED FORWARD ARM BUSHING	1
26	32995	FORWARD IDLER PULLEY	1
27	25889	FORWARD IDLER PULLEY SPACER	1
28	30939	ENGINE PULLEY	1
29	20919	SET SCREW M6 X 8	2
30	20176	ENGINE PULLEY KEY	1
31	24771	BELT GUARD	1
32	W1200115	BOLT M6 X 12	3
33	20148	WASHER M6	3

**ILLUSTRATED PARTS BREAKDOWN / ILLUSTRATION DES PIÈCES DÉTACHÉES - Transmission, Tines & Hood**

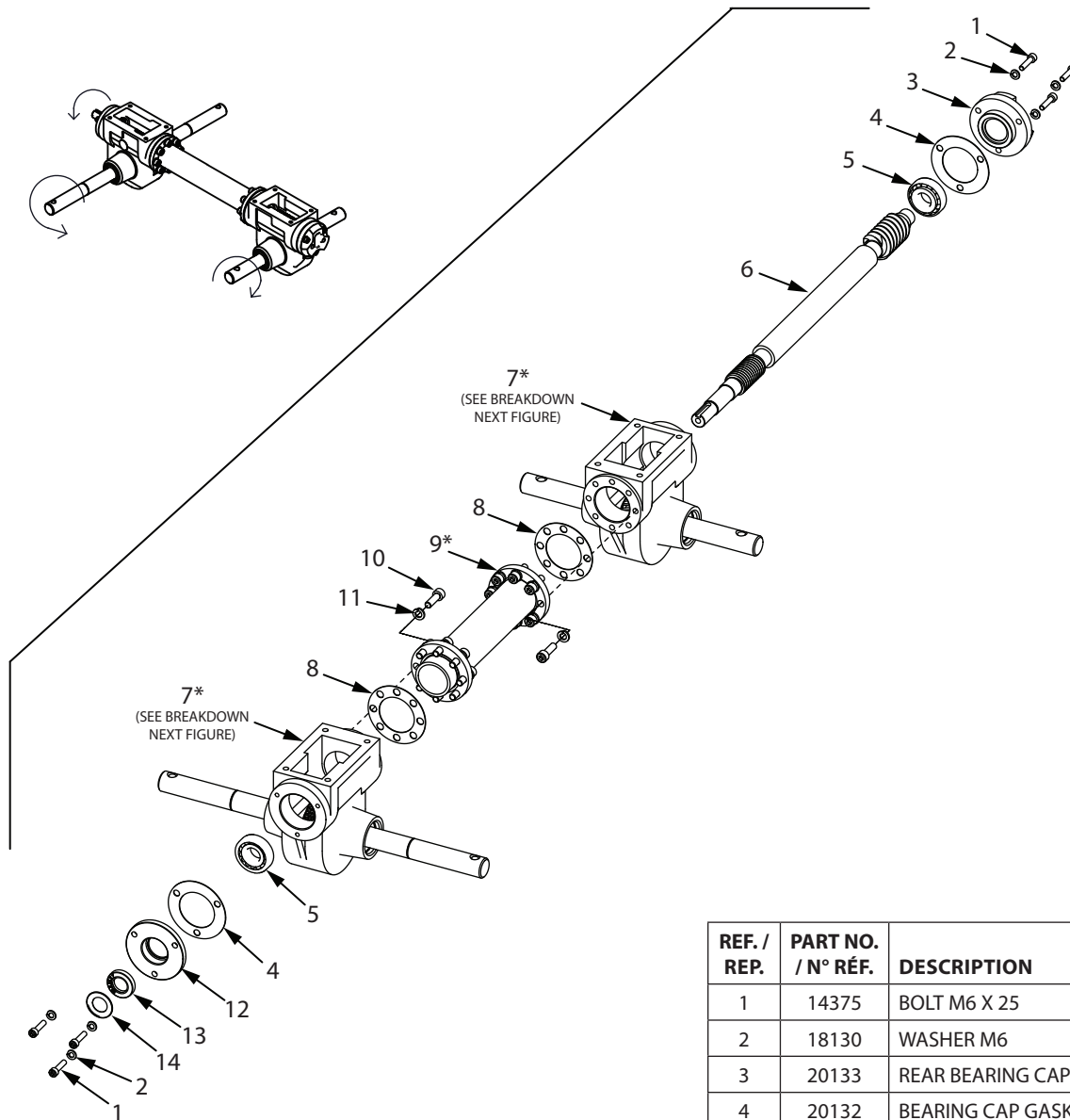


REF. / REP.	PART NO. / N° RÉF.	DESCRIPTION	QTY. / QTÉ
1	12770	BOLT M8 X 40	4
2	13601	KNOB M8	1
3	16903	NUT M10	2
4	17986	BOLT M6 X 16	6
5	18103	BOLT M6 X 40	5
6	1900LCRT	LEFT TINE SET	1
7	1900RCRT	RIGHT TINE SET	1
8	19864	TRANSMISSION COVER GASKET	2
9	19867	ENGINE MOUNT	1
10	19922	BOLT M8 X 40	1
11	19945	BOLT M8 X 20	11
12	20003	TAIL MOUNT	1
13	20109	LINCH PIN	2
14	20111	CRT TRANSMISSION	1
15	20138	SNAP RING 25 MM	2
16	W1200117	WASHER M6 SMALL	15
17	20143	WASHER M8 SMALL	6
18	20148	WASHER M6	9
19	20150	BOLT M8 X 16	2
20	20197	TRANSMISSION PULLEY KEY	1
21	20967	PNEUMATIC WHEEL	2
22	21640	WASHER M8 SPRING	15
23	21939	BOLT M8 X 15 CARRIAGE	4
24	24617	TRANSMISSION SHAFT SPACER	1
25	24764	LOWER PAN	1
26	24778	BEAVER TAIL	1
27	33136	BELT GUARD MOUNT	1
28	24868	HINGE BRACKET	4

\* Item Not Shown. Article non montré.

REF. / REP.	PART NO. / N° RÉF.	DESCRIPTION	QTY. / QTÉ
29	24869	HINGE ROD	1
30	26964	TINE HOOD	1
31	24873	SIDE SHIELD	2
32	24877	TRANSMISSION VENT M16	1
33	24879	TRANSMISSION DIPSTICK	1
34	26965	TINE HOOD MOUNT	1
35	24885	REVERSE ARM SPRING	1
36	30938	TRANSMISSION PULLEY	1
37	31563	LOCK PIN	1
38	3245	WASHER M8	5
39	32992	BELT GUIDE	1
40	35699	BOLT M10 X 50	2
41	53655	CRT DRAG STAKE	1
42*	1690	MYSTIC 00 GREASE 1 QT	1
43	W1200119	WASHER M10 SPRING	2
44	W1265V0900	NUT M8	12
45	W1265V0904	BOLT M8 X 20	4
46	W1265V0913	NUT M6	11

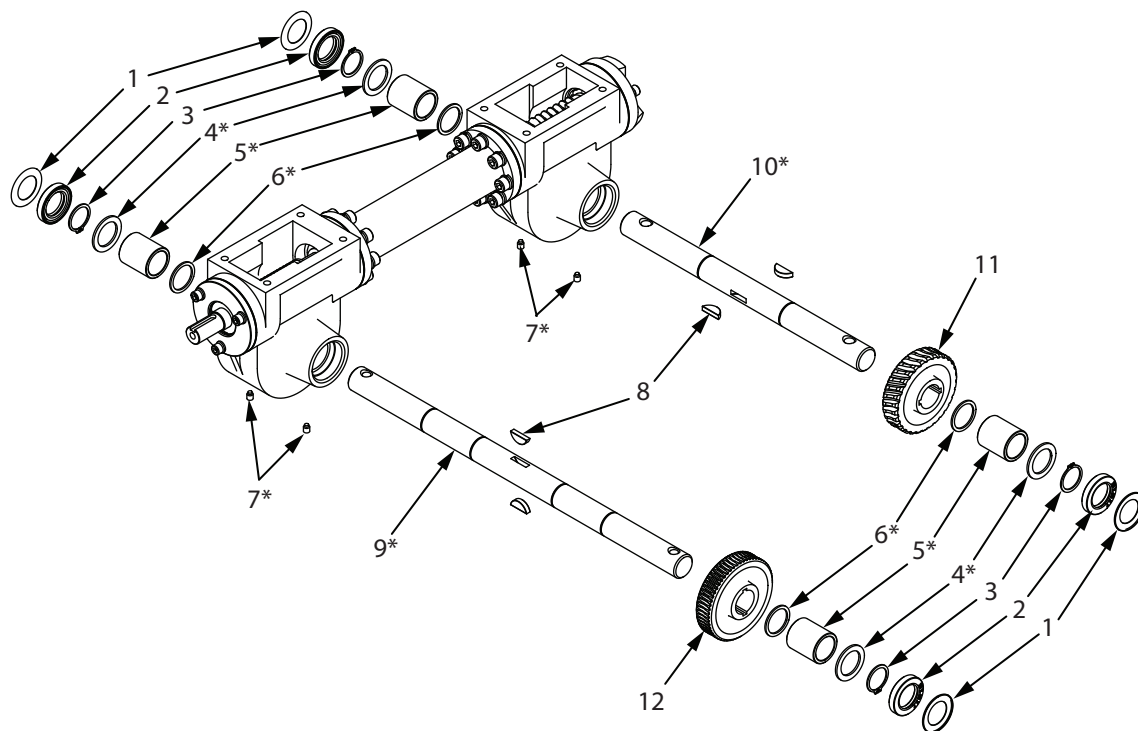
**ILLUSTRATED PARTS BREAKDOWN / ILLUSTRATION DES PIÈCES DÉTACHÉES - Transmission Breakdown**



REF. / REP.	PART NO. / N° RÉF.	DESCRIPTION	QTY. / QTÉ
1	14375	BOLT M6 X 25	6
2	18130	WASHER M6	6
3	20133	REAR BEARING CAP	1
4	20132	BEARING CAP GASKET	2
5	20137	BEARING TAPERED 20MM ID X 47MM OD	2
6	19993	CRT DRIVE SHAFT	1
7	*	CAST TRANSMISSION HOUSING	2
8	14028	TRANSMISSION HOUSING GASKET	2
9	*	FLANGED PIPE	1
10	400022	BOLT M8 X 25	16
11	W1200114	WASHER M8	16
12	20134	FRONT END CAP	1
13	20136	DRIVE SHAFT SEAL 20MM X 35MM	1
14	20131	DRIVE SHAFT SEAL COVER	1

\* Order transmission assembly 20111.

**ILLUSTRATED PARTS BREAKDOWN / ILLUSTRATION DES PIÈCES DÉTACHÉES - Transmission Breakdown**



REF. / REP.	PART NO. / N° RÉF.	DESCRIPTION	QTY. / QTÉ
1	20130	AXLE SHAFT SEAL COVER	4
2	20135	AXLE SHAFT SEAL 25MM X 40MM	4
3	20138	SNAP RING 25MM	4
4	*	SHIM 37 X 26 X 2 MM	4
5	*	BUSHING 25 X 32 X 36.5 MM	4
6	*	SHIM 26 X 32 X 1.5 MM	4
7	*	SETSCREW M6 X 8.5	4
8	1500P113	GEAR KEY	4
9	*	WHEEL AXLE	1
10	*	TINE AXLE	1
11	20128	TINE GEAR 30 TOOTH	1
12	19982	WHEEL GEAR 61 TOOTH	1

\* Order transmission assembly 20111.