

REVISED STARTING
SERIAL # 110710019

PARTS LIST MANUAL

MODELS 2EC AND 2GC



ELECTRIC MODEL



GASOLINE MODEL

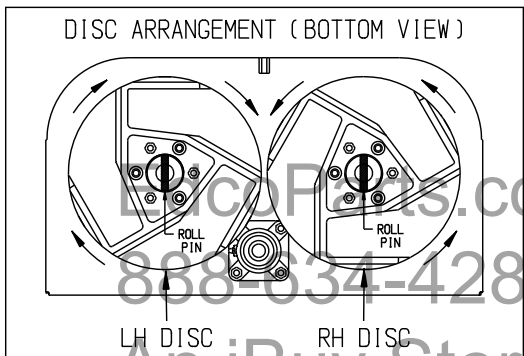
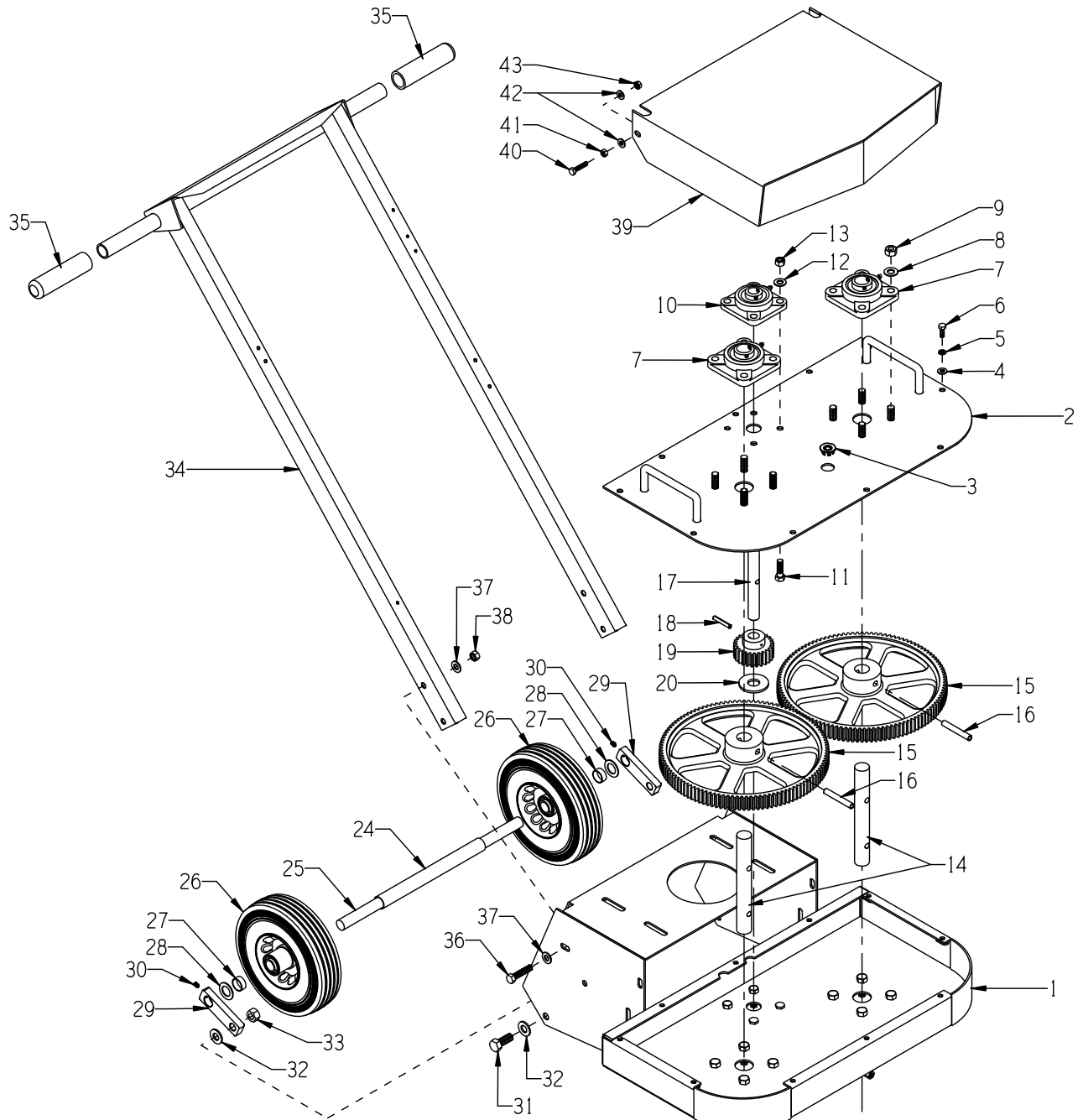


PROPANE MODEL

DUAL-DISC CONCRETE FLOOR GRINDERS

| SKU # | MODEL # | POWER OPTION |
|----------|-----------|--|
| 50100 | 2EC-1.5HP | ELECTRIC MOTOR 1.5HP 60Hz 1-PHASE 115/230V |
| 51300-50 | 2EC-2B/50 | ELECTRIC MOTOR 2HP 50Hz 1-PHASE 110/220V |
| 50800 | 2EC-3B | ELECTRIC MOTOR 3HP 60Hz 1-PHASE 230V |
| 51800 | 2GC-5.5H | HONDA GASOLINE ENGINE MODEL GXV160 |
| 51400 | 2GC-11H | HONDA GASOLINE ENGINE MODEL GXV340 |
| 54800 | 2GC-11P | HONDA PROPANE ENGINE MODEL GXV340 115V STARTER |

ILLUSTRATION 1 : MAIN GROUPING



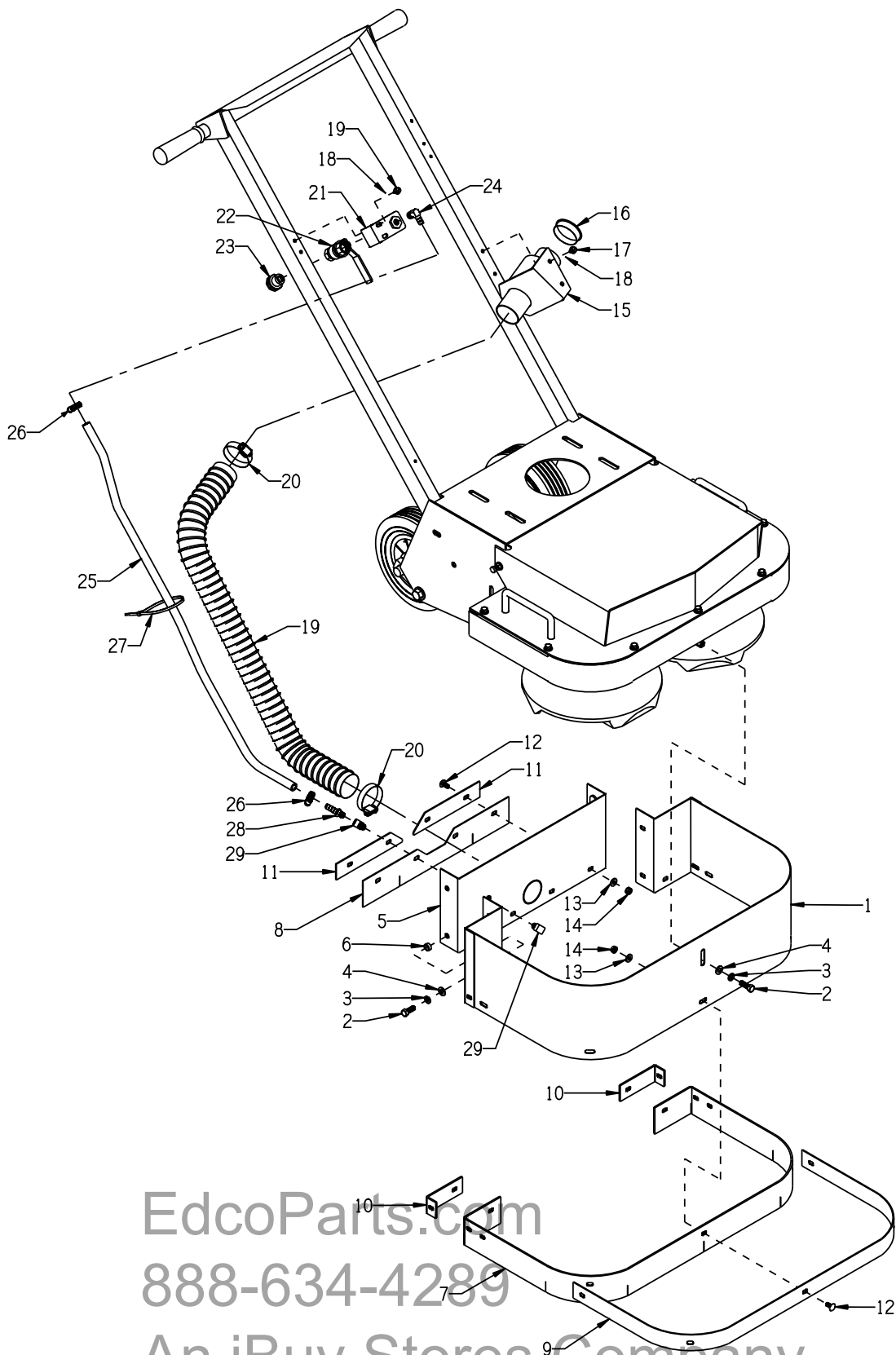
| PARTS LISTING - ILLUSTRATION 1: MAIN GROUPING | | | |
|---|---------|--|------|
| ITEM # | PART # | DESCRIPTION | QTY. |
| 1 | 77022 | MAIN FRAME & GEAR CASE, 2-EC/GC | 1 |
| 2 | 77007 | COVER, GEAR CASE, 2-EC/GC | 1 |
| 3 | 10005 | PLUG, HOLE 7/8" BRIGHT ZINC | 1 |
| 4 | 10602 | WASHER, FLAT 1/4 SAE ZINC | 10 |
| 5 | 10038 | WASHER, LOCK 1/4 ZINC | 10 |
| 6 | 10018 | SCREW, CAP 1/4-20 X 3/4 | 10 |
| 7 | 77008 | BEARING, BALL 1" 4-HOLE FLANGE, ND | 4 |
| 8 | 10450 | WASHER, LOCK 7/16 ZINC | 16 |
| 9 | 10481 | NUT, HEX 7/16-20 ZINC | 16 |
| 10 | 77009 | BEARING, BALL 3/4" 4-HOLE FLANGE | 2 |
| 11 | 10309 | SCREW, CAP 3/8-24 X 1-1/4 ZINC | 4 |
| 12 | 10811 | WASHER, LOCK 3/8 ZINC | 8 |
| 13 | 10014 | NUT, HEX 3/8-24 ZINC | 8 |
| 14 | 77013 | SHAFT, LARGE GEAR 1"DIA X 7-13/16"L | 2 |
| 15 | 77012 | GEAR, SPUR 112 TOOTH (DRIVEN) | 2 |
| 16 | 10007 | PIN, ROLL 3/8 X 2-1/2 | 2 |
| 17 | 77011 | SHAFT, PINION GEAR 3/4DIA X 7-3/8"L | 1 |
| 18 | 10037 | PIN, ROLL 1/4 X 1-1/2 | 1 |
| 19 | 77053 | GEAR, SPUR 25 TOOTH (PINION) | 1 |
| 20 | 10009 | WASHER, FLAT 3/4 SAE ZINC | 1 |
| 21 | 9999 | DISC ASSY. COMPLETE, MULTI-ACCY. LH (SEE ILLUS. 3) | 1 |
| 22 | 8888 | DISC ASSY. COMPLETE, MULTI-ACCY. RH (SEE ILLUS. 3) | 1 |
| 23 | 10063 | PIN, ROLL 3/8 X 2 | 2 |
| 24 | 77215 | AXLE SPACER 9-5/8"L, 2-EC/GC | 1 |
| 25 | 77209 | AXLE SHAFT 3/4"DIA. X 17"L, 2-EC/GC | 1 |
| 26 | 79013SH | WHEEL, STL.HUB 8 X 2-1/2 X 3/4"BRG. | 2 |
| 27 | 77214 | SPACER, WHEEL 3/8"L, 2-EC/GC | 2 |
| 28 | 11597 | WASHER .755"ID X 1.25"OD X .060"THK (*USE AS REQ'D.) | 2* |
| 29 | 86305 | FLIP-HOLDER, WHEEL AXLE | 2 |
| 30 | 10139 | SCREW, SET 1/4-20 X 5/16 | 2 |
| 31 | 10321 | SCREW, CAP 1/2-20 X 1-1/4 | 2 |
| 32 | 10312 | WASHER, FLAT 1/2 SAE ZINC | 2 |
| 33 | 10205 | NUT, HEX LOCK 1/2-20 ZINC | 2 |
| 34 | 74010 | HANDLE BAR, 2-EC/GC | 1 |
| 35 | 10608 | GRIP, HAND 1" MODEL AT | 2 |
| 36 | 10029 | SCREW, CAP 3/8-24 X 1-3/4 | 4 |
| 37 | 10025 | WASHER, FLAT 3/8 SAE ZINC | 8 |
| 38 | 10004 | NUT, HEX LOCK 3/8-24 ZINC | 8 |
| 39 | 77077 | HOOD, GRINDER, 2-EC/GC | 1 |
| 40 | 10860 | BOLT, TAP 1/4-20 X 1-1/4 (FULL THD) | 2 |
| 41 | 10013 | NUT, HEX 1/4-20 ZINC | 2 |
| 42 | 10602 | WASHER, FLAT 1/4 SAE ZINC | 2 |
| 43 | 10861 | NUT, KEPS LOCK 1/4-20 ZINC | 2 |

EdcoParts.com

888-634-4280

An iBuy Stores Company

ILLUSTRATION 2: SKIRT, VACUUM PORT & WATER HOOK-UP GROUPING



EdcoParts.com
888-634-4289
An iBuy Stores Company

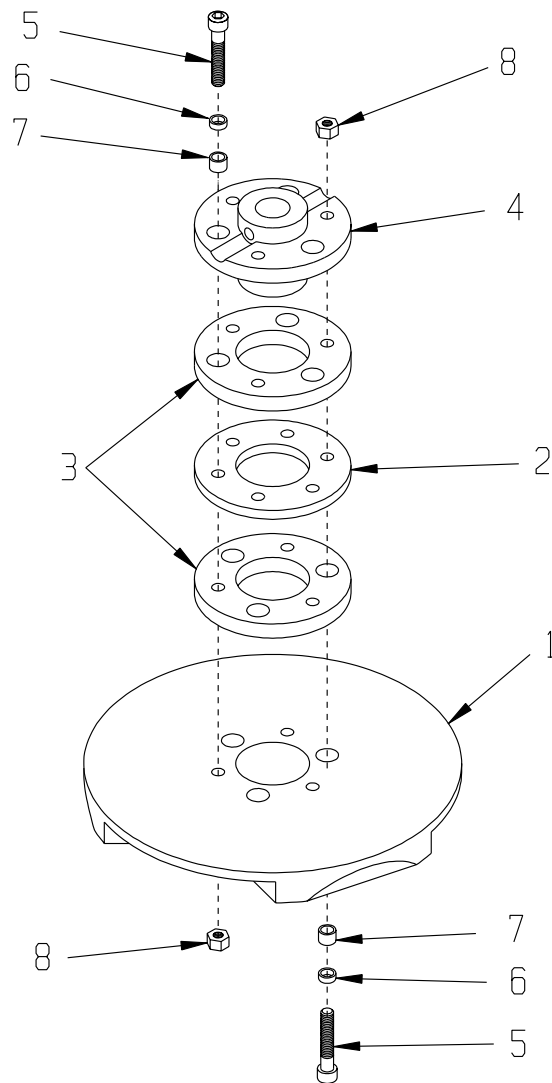
| PARTS LISTING - ILLUSTRATION 2: SKIRT, VACUUM PORT & WATER HOOK-UP GROUPING | | | |
|--|---------------|--|-------------|
| ITEM # | PART # | DESCRIPTION | QTY. |
| 1 | 77001 | SKIRT GUARD, 2-EC/GC | 1 |
| 2 | 10806 | SCREW, CAP 5/16-18 X 1 | 5 |
| 3 | 10801 | WASHER, LOCK 5/16 ZINC | 5 |
| 4 | 10213 | WASHER, FLAT 5/16 SAE ZINC | 5 |
| 5 | 77112 | PANEL, VACUUM PORT 2", 2-EC/GC | 1 |
| 6 | 10113 | SPACER, STEEL 9/16OD X 3/8ID X 7/32 | 2 |
| 7 | 77141 | RUBBER SEAL, SKIRT, 2-EC/GC 2-1/2 x 56 | 1 |
| 8 | 77142 | RUBBER SEAL, SKIRT REAR, 2-EC/GC 2-1/2 x 16 | 1 |
| 9 | 77143 | RETAINING STRIP, RUBBER SEAL, 2-EC/GC | 1 |
| 10 | 77339 | RETAINING BRKT., SKIRT CORNER | 2 |
| 11 | 77144 | RETAINING STRIP, REAR SEAL, 2-EC/GC | 2 |
| 12 | 11676 | BOLT, CARRIAGE 1/4-20 X 5/8 GRADE 2 | 13 |
| 13 | 10602 | WASHER, FLAT 1/4 SAE ZINC | 13 |
| 14 | 10861 | NUT, KEPS LOCK 1/4-20 ZINC | 13 |
| 15 | 86347 | BRACKET, MULTI-VAC PORT 2-3" | 1 |
| 16 | 65021 | CAP/PLUG 2" RED PLASTIC, FLANGED | 1 |
| 17 | 10846 | SCREW, CAP STSHW 1/4-20 X 1/2 | 4 |
| 18 | 10038 | WASHER, LOCK 1/4 ZINC | 4 |
| 19 | 77113 | HOSE, FLEX 2"ID X 32"L, GRINDERS | 1 |
| 20 | 10766 | CLAMP, HOSE, SAE #32, ADJ. TO 2-1/2 | 2 |
| 21 | 56022 | BRACKET, WATER VALVE | 1 |
| 22 | 10711 | VALVE, BALL 1/2 FPT | 1 |
| 23 | 80021 | CONN., SWIVEL FEM. 3/4HOSE X 1/2MPT | 1 |
| 24 | 10799 | BARB ELBOW 90, 3/8HOSE X 1/4MPT | 1 |
| 25 | 65081 | HOSE, WATER 3/8"ID X 34"L | 1 |
| 26 | 50069 | CLAMP, HOSE, SAE #6, ADJ. TO 13/16 | 2 |
| 27 | 10982 | TIE, CABLE, BLACK NYLON 11-1/4" | 2 |
| 28 | 10694 | BARB, 3/8HOSE X 1/8MPT | 1 |
| 29 | 10772 | ELBOW, STREET 1/8NPT X 45 (BRASS) | 2 |

EdcoParts.com

888-634-4289

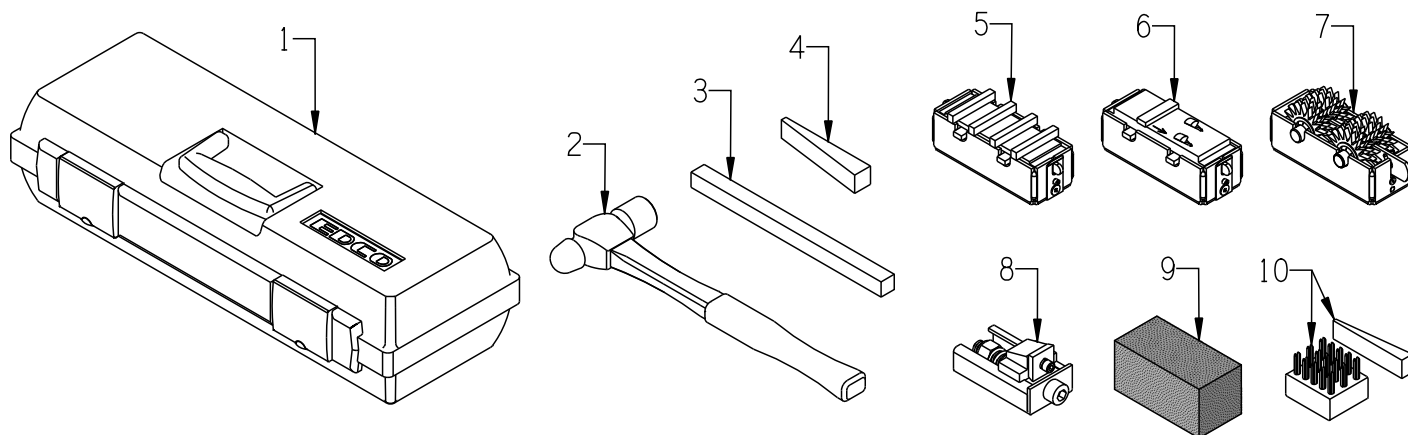
An iBuy Stores Company

ILLUSTRATION 3: MULTI-ACCESSORY DISC ASSEMBLY



| ITEM # | PART # | DESCRIPTION | QTY.* |
|--------|--------|---|-------|
| 1-8 | 8888 | DISC ASSEMBLY COMPLETE, RIGHT-HAND (ITEMS 1 THRU 8) | 2 |
| | 9999 | DISC ASSEMBLY COMPLETE, LEFT-HAND (ITEMS 1 THRU 8) | 2 |
| 1 | 77088 | MULTI-ACCESSORY DISC ONLY R.H. FOR 8888 ASSEMBLY | 1 |
| | 77099 | L.H. FOR 9999 ASSEMBLY | 1 |
| 2 | 77020 | RING, HUB CARRIER, 6-HOLE | 1 |
| 3 | 10112 | RING, NEOPRENE, 4-1/2"OD X 1/2"THK | 2 |
| 4 | 77010 | HUB, ALUMINUM 6-HOLE (GRINDER) | 1 |
| 5 | 10114 | SCREW, SKT. HD. CAP 3/8-24 X 2-1/4 | 6 |
| 6 | 10113 | SPACER, STEEL 9/16OD X 3/8ID X 7/32" | 6 |
| 7 | 10011 | SPACER, STEEL 5/8OD X 3/8ID X 3/8" | 6 |
| 8 | 10058 | NUT, HEX LOCK 3/8-24 W/ NYLON PATCH | 6 |

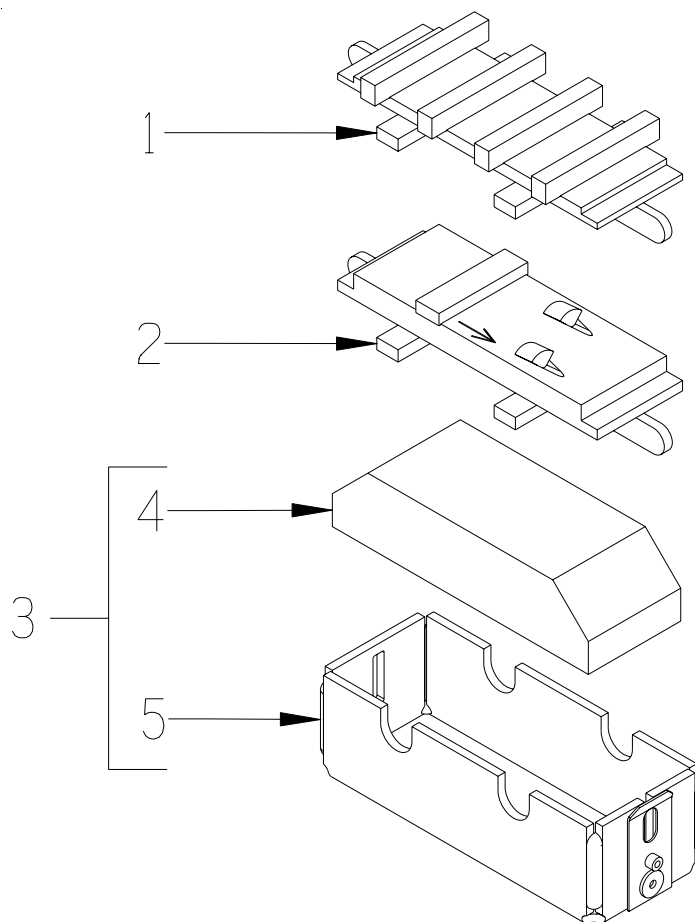
*QUANTITIES FOR ITEMS 1 THRU 8 ARE PER EACH DISC ASSEMBLY
1 RIGHT-HAND & 1 LEFT-HAND DISCS REQUIRED PER 2-DISC GRINDER

ILLUSTRATION 4: TOOL BOX & MULTI-DISC ACCESSORIES


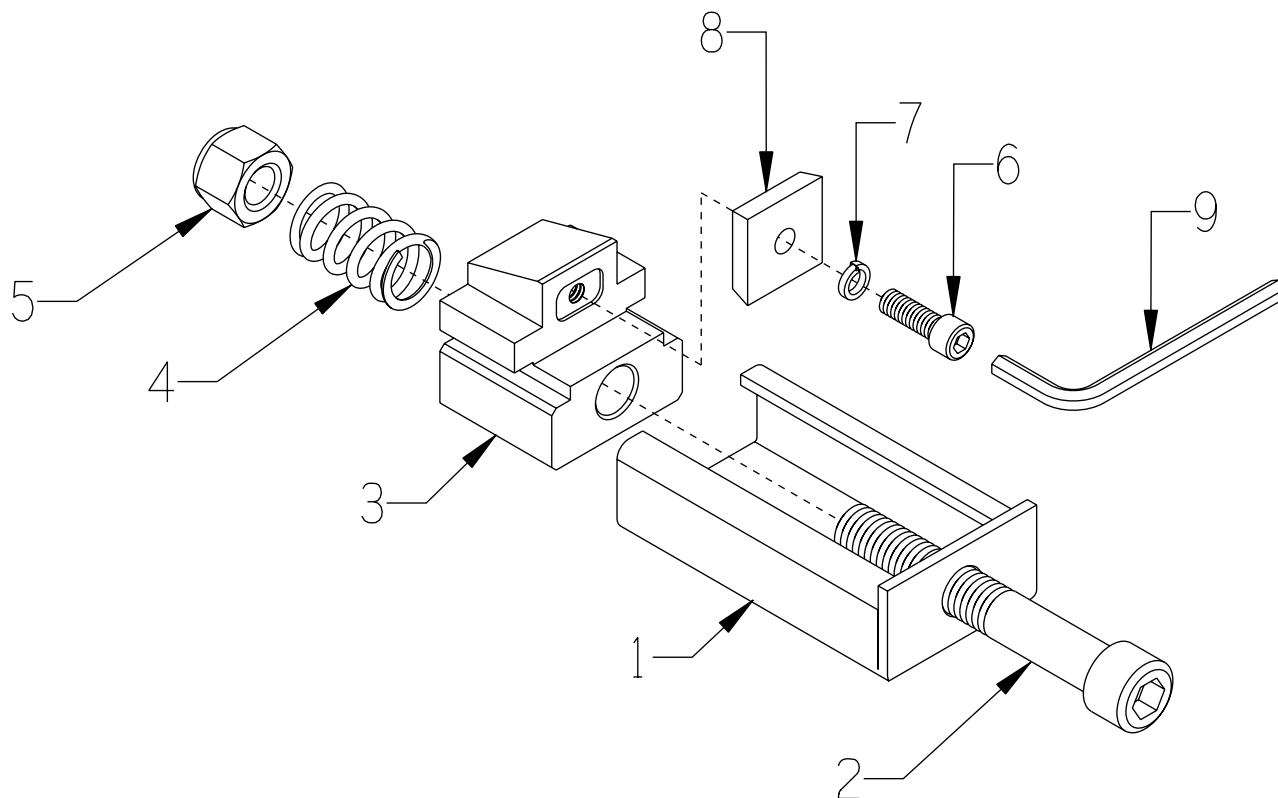
| ITEM # | PART # | DESCRIPTION | QTY. |
|--------|--------|---|------|
| 1-3 | 12004 | TOOL BOX W/ HAMMER & PUNCH, BLACK | 1 |
| | 12005 | TOOL BOX W/ HAMMER & PUNCH, RED | 1 |
| 1 | 12001 | TOOL BOX, BLACK (DYMA-SERTS™) | 1 |
| | 12002 | TOOL BOX, RED (STRIP-SERTS™) | 1 |
| 2 | 12003 | HAMMER, BALL PEIN 16 OZ. | 1 |
| 3 | 12006 | PUNCH, GRINDER WEDGE, 5/8SQ X 9 | 1 |
| 4 | 12160 | WEDGE CG225, HARDWOOD | 6 |
| 5 | ----- | DYMA-SERT™ ACCY. W/ HOLDING CASE (SEE ILLUS. 5 FOR MORE DETAILS) | 6 |
| 6 | ----- | PCDYMA-SERT™ ACCY. W/ HOLDING CASE (SEE ILLUS. 5 FOR MORE DETAILS) | 6 |
| 7 | 12114 | SCARIFIER ACCESSORY: CG221 SCARIFIER HOLDING CASE ONLY | 6 |
| | 12120 | CG222 TAW SCARIFIER, STANDARD INSERT | |
| | 12130 | CG223 TAW SCARIFIER, HEAVY-DUTY INSERT | |
| 8 | 12400 | STRIP-SERT™ ASSEMBLY (SEE ILLUS. 6 FOR MORE DETAILS) | 6 |
| 9 | 11074 | CG224V VITRIFIED GRINDING STONES: C10S SUPER COARSE | 6 |
| | 11014 | C10 COARSE | |
| | 11024 | C24 MEDIUM | |
| | 11034 | C80 FINE | |
| | 11084 | C120 SUPER FINE | |
| 10 | 12170 | CG101 WIRE BRUSH W/JR322 WEDGE | 6 |
| | 12180 | WEDGE ONLY JR322, HARDWOOD | 6 |

 EdcoParts.com
 888-634-4289

An iBuy Stores Company

ILLUSTRATION 5: DYMA-SERT™ & PCDYMA-SERT™ ASSEMBLIES


| ITEM # | PART # | DESCRIPTION | QTY.* |
|--------------------------------------|------------|---------------------------------------|-------|
| 1 | | DYMA-SERT™ (SOLD SEPARATELY): | 6 |
| | 19110 | EG-1X, 30-40 GRIT (GENERAL PURPOSE) | |
| | 19130 | EG-2X, 30-40 GRIT (ABRASIVE CONCRETE) | |
| | 19180 | EG-3X, 30-40 GRIT (EPOXY MORTARS) | |
| | 19250 | EG-5X, 50 GRIT (TERRAZZO) | |
| | 19260 | EG-7X, 80 GRIT (TERRAZZO) | |
| | 19270 | EG-9X, 120 GRIT (TERRAZZO) | |
| | 19290 | EG-23X, 200-230 GRIT (POLISHING) | |
| 2 | EDP2PCD-30 | PCDYMA-SERT™ (SOLD SEPARATELY) | 6 |
| 3 | 19120 | CG221D DYMA-SERT HOLDING CASE W/PAD | 6 |
| 4 | 19140 | RUBBER SHOCK PAD | 6 |
| 5 | 19121 | DYMA-SERT™ HOLDING CASE | 6 |
| * QUANTITIES BASED ON 2-DISC GRINDER | | | |

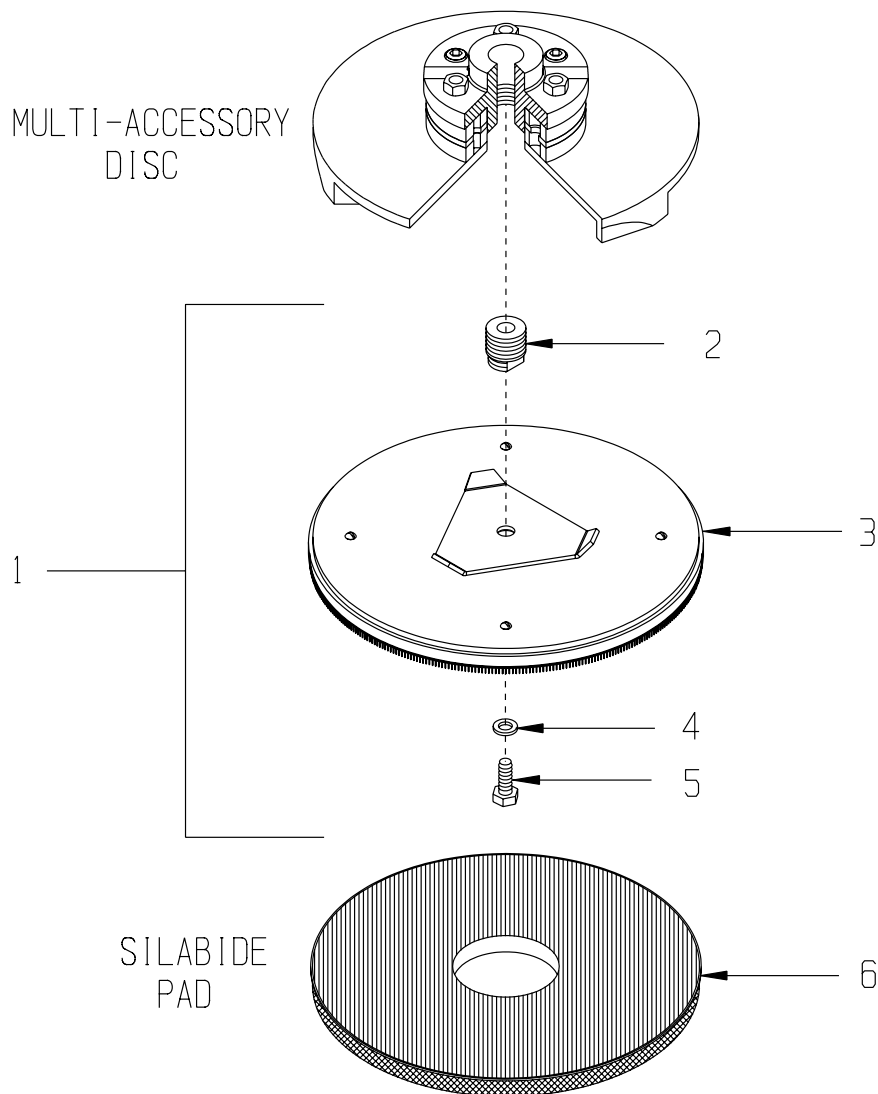
ILLUSTRATION 6: STRIP-SERT™ ASSEMBLY


| ITEM # | PART # | DESCRIPTION | QTY. |
|--------|--------|---|------|
| 1-8 | 12400 | STRIP-SERT ASSY. WITH PRO TUNGSERT | 6* |
| 1-7 | 12401 | STRIP-SERT ASSY. WITHOUT PRO TUNGSERT | 6* |
| 1 | 12404 | TUNGSERT HOLDER BOX, STRIP-SERT | 1** |
| 2 | 12405 | SCREW, SKT.HD.CAP 1/2-13 X 3.5,GR.5 | 1** |
| 3 | 12403 | TUNGSERT BLOCK, STRIP-SERT | 1** |
| 4 | 12406 | SPRING, COMP. .765"OD X 1.25"FL | 1** |
| 5 | 10155 | NUT, HEX NYLON LOCK 1/2-13 | 1** |
| 6 | 11573 | SCREW, SKT. HD. CAP 1/4-20 X 3/4 | 1** |
| 7 | 11688 | WASHER, HI-COLLAR LOCK .26ID X .363 | 1** |
| 8 | 12407 | PRO TUNGSERT (PACK OF 6) INCLUDES: 6 SCREWS & WASHERS, ITEMS 6 & 7 & 1 HEX WRENCH, ITEM 9. | 1** |
| 9 | 12413 | WRENCH, HEX L-KEY 3/16", SHORT-ARM | 1 |

*QUANTITIES BASED ON 2-DISC GRINDER

**QUANTITIES BASED ON 1 STRIP-SERT ACCESSORY

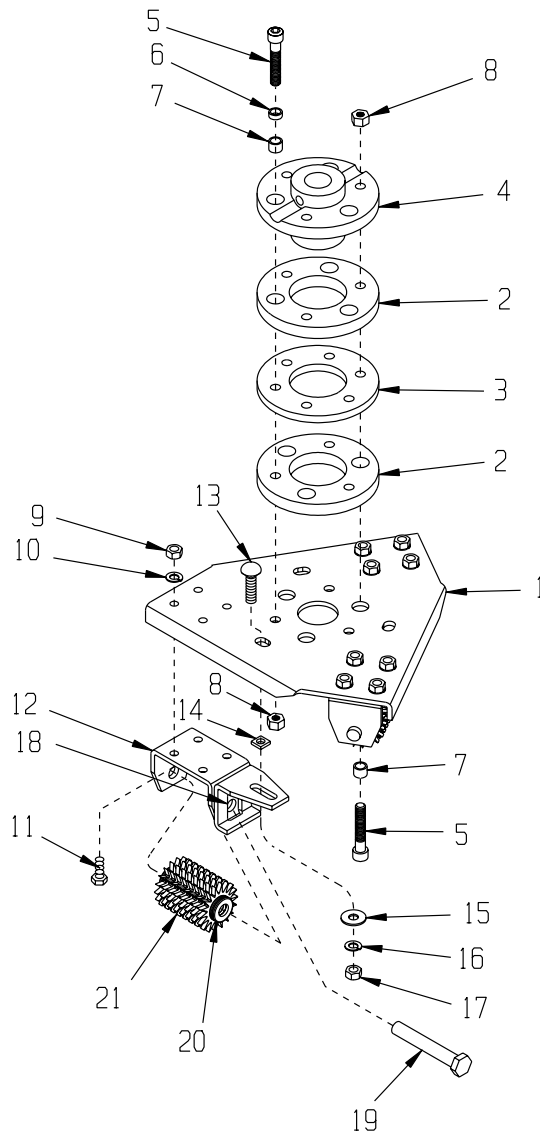
ILLUSTRATION 7: OPTIONAL PAD DRIVER DISC ASSEMBLY



| ITEM # | PART # | DESCRIPTION | QTY.* |
|--|--------|---|-------|
| 1 | 76040 | PAD DRIVER DISC ASSEMBLY (INCLUDES ITEMS 2 THRU 5) | 2 |
| 2 | 76042 | HUB STUD, PAD DRIVER (GRINDER) | 1 |
| 3 | 76041 | DISC ONLY 11", PAD DRIVER | 1 |
| 4 | 10312 | WASHER, FLAT 1/2 SAE ZINC | 1 |
| 5 | 10304 | SCREW, CAP 1/2-20 X 1 | 1 |
| 6 | 13013 | SILABIDE PAD, 11" MEDIUM (NOT INCLUDED W/ ASSEMBLY) | 2 |
| *QUANTITIES FOR ITEMS 2 THRU 5 ARE PER EACH DISC ASSEMBLY QUANTITIES FOR ITEMS 1 AND 6 ARE PER 2-DISC GRINDER | | | |

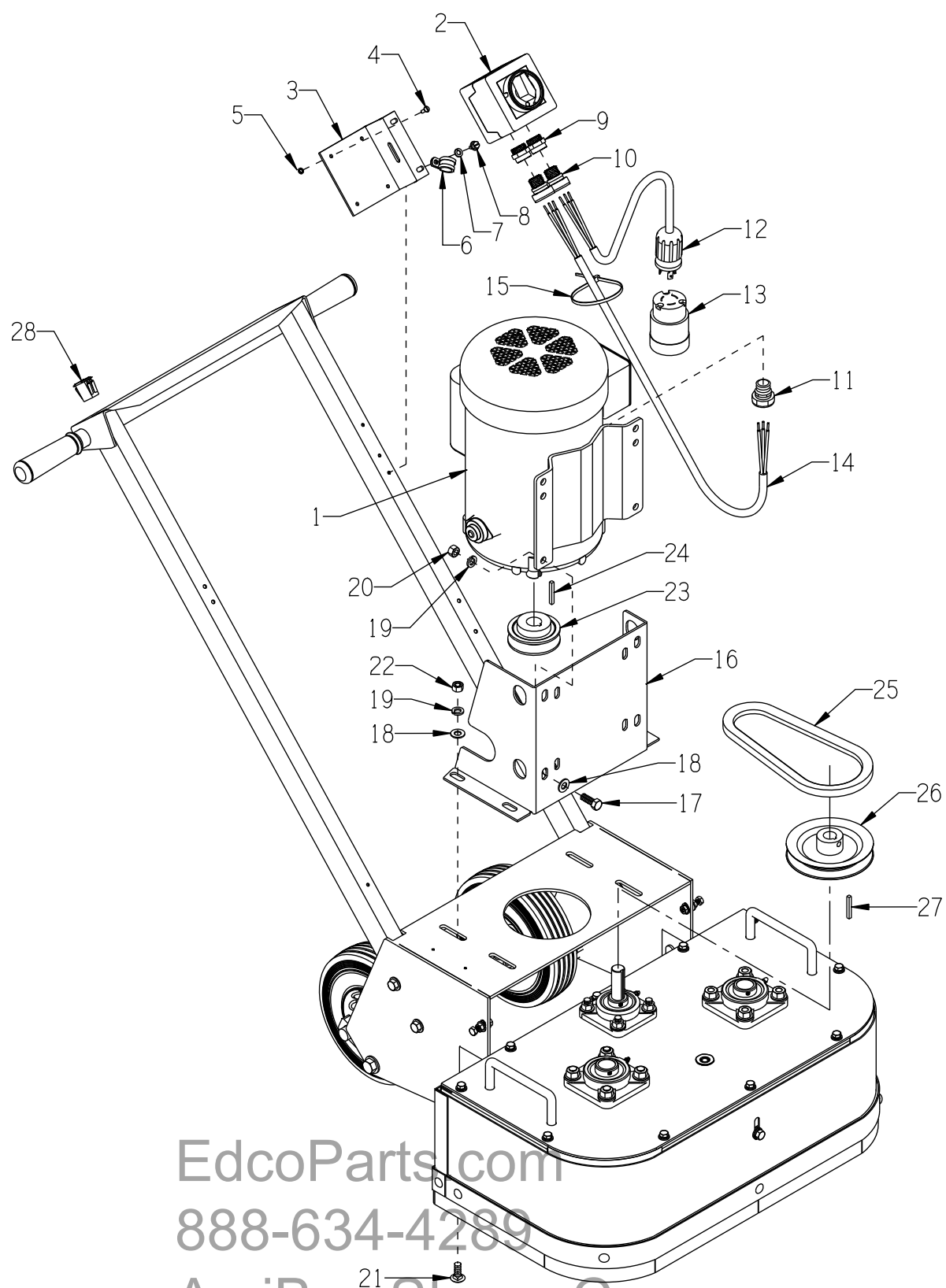
ILLUSTRATION 8: OPTIONAL SURFACER DISC ASSEMBLY

E-2ECGC-PL-0711A



| ITEM # | PART # | DESCRIPTION | QTY.* | ITEM # | PART # | DESCRIPTION | QTY.* |
|--------|--------|-------------------------------------|-------|--|-------------------------------|--------------------------------|-------|
| 1-21 | 2222 | DISC ASSEMBLY COMPLETE, R.H. | 1 | 10 | 10801 | WASHER, LOCK 5/16 ZINC | 12 |
| | 2222C | W/ STEEL CUTTERS. | | 11 | 10048 | SCREW, CAP 5/16-24 X 3/4 | 12 |
| | 3333 | DISC ASSEMBLY COMPLETE, L.H. | 1 | 12 | 77074 | HOLDER, CUTTER SHAFT | 3 |
| | 3333C | W/ STEEL CUTTERS | | 13 | 10802 | BOLT, CARRIAGE 3/8-16 X 1 | 3 |
| | | W/ CARBIDE CUTTERS | | 14 | 10089 | CLIP, SPEED NUT 3/8 | 3 |
| 1 | | DISC ONLY, SURFACER | | 15 | 10025 | WASHER, FLAT 3/8 SAE ZINC | 3 |
| | 77122 | RIGHT HAND DISC | 1 | 16 | 10811 | WASHER, LOCK 3/8 ZINC | 3 |
| | 77133 | LEFT HAND DISC | 1 | 17 | 10404 | NUT, HEX 3/8-16 ZINC | 3 |
| 2 | 10112 | RING, RUBBER 4-1/2"OD X 1/2"THK | 2 | 18 | 77075 | RETAINER, CUTTER SHAFT | 3 |
| 3 | 77020 | RING, HUB CARRIER, 6-HOLE | 1 | 19 | 77048 | CG226 CUTTER SHAFT 1/2 X 3-1/4 | 3 |
| 4 | 77010T | HUB, CAST IRON, 6-HOLE | 1 | 20 | 12230 | CG227 SPACER 1/2"ID | 33 |
| 5 | 10114 | SCREW, SKT. HD. CAP 3/8-24 X 2-1/4 | 6 | 21 | | CUTTERWHEEL | |
| 6 | 10113 | SPACER, STL. 9/16OD X 3/8ID X 7/32 | 3 | | 12206 | JRS501P 2" POINTED STEEL | 24 |
| 7 | 10011 | SPACER, STL. 5/8OD X 3/8ID X 3/8 | 6 | 20156 | CP206T 1-3/4" 6-POINT CARBIDE | 18 | |
| 8 | 10058 | NUT, HEX LOCK 3/8-24 W/ NYLON PATCH | 6 | *QUANTITIES FOR ITEMS 2 THRU 21 ARE PER EACH DISC ASSEMBLY | | | |
| 9 | 10054 | NUT, HEX 5/16-18 ZINC | 12 | 1 RIGHT-HAND & 1 LEFT HAND DISC REQD. PER 2-DISC GRINDER | | | |

**ILLUSTRATION 9:
MOTOR & BELT DRIVE GROUPING FOR 1.5 HP UNITS**

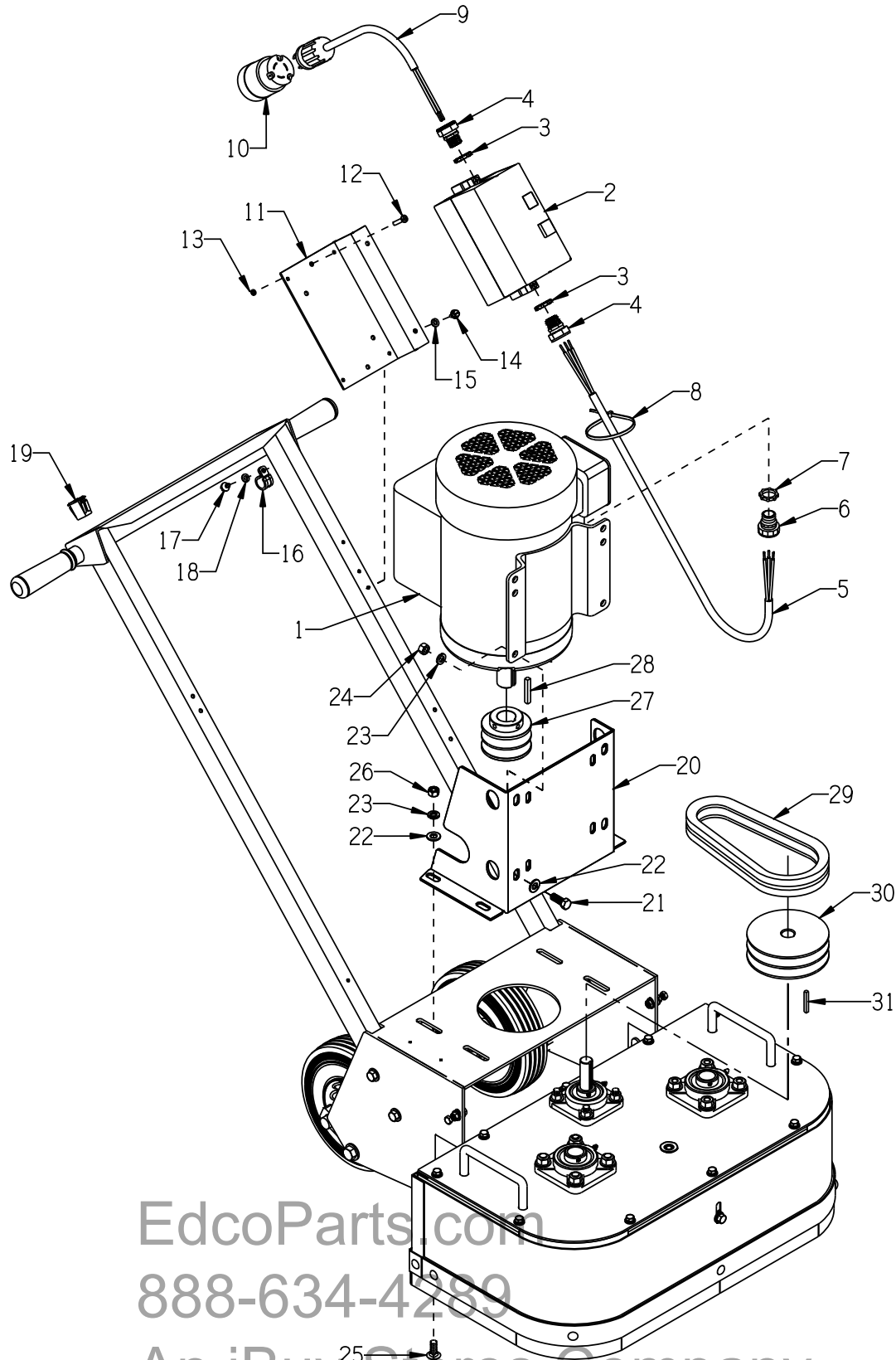


EdcoParts.com
888-634-4289
An iBuy Stores Company

**PARTS LISTING - ILLUSTRATION 9:
MOTOR & BELT DRIVE GROUPING FOR 1.5 HP UNITS**

| ITEM # | PART # | DESCRIPTION | QTY. |
|--------|----------------|---|--------|
| 1 | 76027 | MOTOR, BALDOR 1.5HP-1P-60HZ-115/230V-1725RPM BALDOR SPEC. 36F57-385 (7/8" SHAFT) REPLACEMENT PARTS: | 1 |
| | 77039 | CAPACITOR, START, BALDOR, 850-950MFD 115V | 1 |
| | 16101 | RESET BUTTON, BALDOR TPCRT31CA | 1 |
| | 76002 | SWITCH, TOGGLE DPDT (SCREW TERM.) | 1 |
| | 16070 | MOTOR, LEESON 1.5HP-1P-60HZ-115/230V-1740RPM LEESON CAT. NO. 132189 (1-1/8" SHAFT) REPLACEMENT PARTS: | 1 |
| | 16524 | CAPACITOR, START, LEESON, 1190MFD 125V | 1 |
| | 16161 | RESET BUTTON, LEESON BRJ44DB | 1 |
| | 16534 | SWITCH, TOGGLE DPDT (PUSH-ON TERM.) | 1 |
| 2 | 77043 | SWITCH, ROTARY CAM ON/OFF, LOVATO | 1 |
| 3 | 77042 | BRACKET, LOVATO ROTARY CAM SWITCH | 1 |
| 4 | 11663 | SCREW, MACHINE 8-32 X 1/2 (LOCATED INSIDE OF SWITCH BOX) | 4 |
| 5 | 10462 | NUT, KEPS LOCK 8-32 ZINC | 4 |
| 6 | 11690 | CLAMP, LOOM, 3/8" | 1 |
| 7 | 10038 | WASHER, LOCK 1/4 ZINC | 2 |
| 8 | 10846 | SCREW, CAP STSHW 1/4-20 X 1/2 | 2 |
| 9 | 77043-1 | SWITCH ADAPTER, PG16 TO 1/2"NPT | 2 |
| 10 | 40066 | STRAIN RELIEF 1/2NPT X .350-.450" | 2 |
| 11 | 16176 | STRAIN RELIEF 3/4NPT X .350-.450" | 1 |
| 12 | 77044 | PLUG W/ 12/3 WIRE HARNESS, LOCKING | 1 |
| 13 | 40041 | CONNECTOR, LOCKING 20A/125V L5-20C | 1 |
| 14 | 77045 | WIRE HARNESS 12/3 X 42"LOA | 1 |
| 15 | 10982 | TIE, CABLE, BLACK NYLON 11-1/4" | 2 |
| 16 | 77037 | MOUNT, MOTOR | 1 |
| 17 | 10021 | SCREW, CAP 3/8-24 X 1 | 4 |
| 18 | 10025 | WASHER, FLAT 3/8 SAE ZINC | 8 |
| 19 | 10811 | WASHER, LOCK 3/8 ZINC | 4 |
| 20 | 10014 | NUT, HEX 3/8-24 ZINC | 4 |
| 21 | 10802 | BOLT, CARRIAGE 3/8-16 X 1 FULL THD. | 4 |
| 22 | 10404 | NUT, HEX 3/8-16 ZINC | 4 |
| 23 | 77017 77030 | SHEAVE 3"OD X 1GR.B X 7/8"BORE (BALDOR 1.5HP) SHEAVE 3"OD X 1GR.B X 1-1/8"BORE (LEESON 1.5HP) | 1 1 |
| 24 | ---- | KEY (INCLUDED W/ MOTOR) | 1 |
| 25 | 10051 | BELT 5L-270 (21/32" X 27") | 1 |
| 26 | 3654 | SHEAVE 5"OD X 1GR.B X 3/4"BORE | 1 |
| 27 | 10016 | KEY 3/16SQ X 1-1/2 | 1 |
| 28 | 15204 | PLUG, RECT. HOLE, PLASTIC SNAP-IN | 1 |

**ILLUSTRATION 10:
MOTOR & BELT DRIVE GROUPING FOR 2HP 50Hz & 3HP 60Hz UNITS**



EdcoParts.com

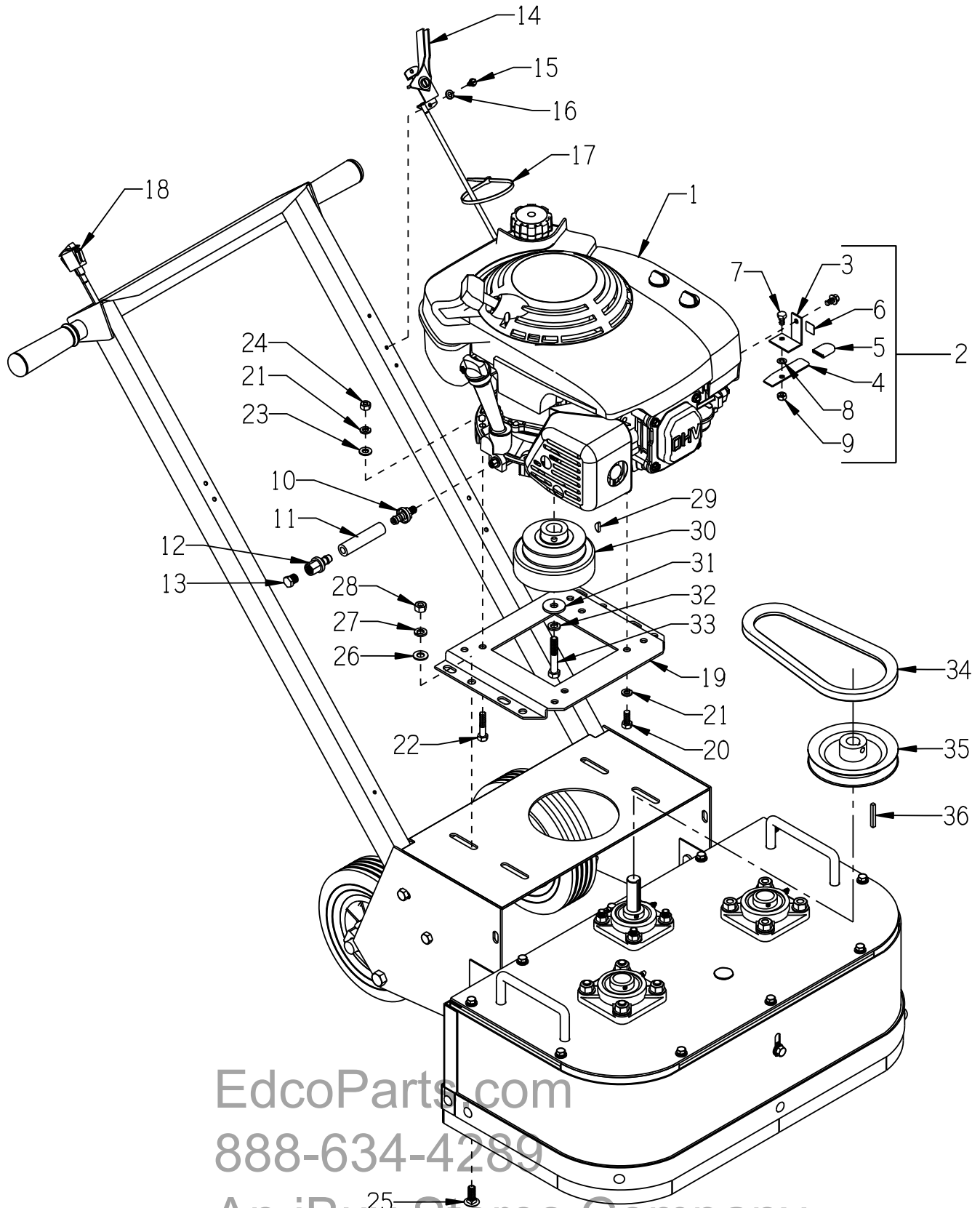
888-634-4289

An iBuy Stores Company

**PARTS LISTING - ILLUSTRATION 10:
MOTOR & BELT DRIVE GROUPING FOR 2HP 50Hz & 3HP 60Hz UNITS**

| ITEM # | PART # | DESCRIPTION | QTY. |
|--------|--------------|--|--------|
| 1 | 16019 | MOTOR, BALDOR 2HP-1PH-50HZ-110/220V-20/10A BALDOR CAT. #L3605T-50 | 1 |
| | 40051 | REPLACEMENT PARTS: CAPACITOR, START, 645-774MFD 125V | 1 |
| | 16164 | CAPACITOR, RUN, 40MFD 370V | 1 |
| | 16003 | MOTOR, BALDOR 3HP-1PH 60HZ-230V-14A BALDOR CAT. #L3609T | 1 |
| | 40051 | REPLACEMENT PARTS: CAPACITOR, START, 645-774MFD 125V | 1 |
| | 16535 | CAPACITOR, START, 460-552MFD 125V | 1 |
| | 16536 | CAPACITOR, RUN, 60MFD 370V | 1 |
| 2 | 16470 | STARTER ACI #128839, 110V 50Hz 17.5-21.5A OL | 1 |
| | 16460 | STARTER ACI #128840, 220V 50Hz 9.0-12.5A OL | 1 |
| | 16405 | STARTER ACI #128841, 230V 60Hz 11.3-16.0A OL | 1 |
| 3 | 10790 | CONDUIT LOCK NUT 1/2 NP | 2 |
| 4 | 41130 | STRAIN RELIEF 1/2NPT X .550-.650" | 2 |
| 5 | 77045 | WIRE HARNESS 12/3 X 42"LOA | 1 |
| 6 | 16176 | STRAIN RELIEF 3/4NPT X .350-.450" | 1 |
| 7 | 10740 | CONDUIT LOCK NUT 3/4 NP | 1 |
| 8 | 10982 | TIE, CABLE, BLACK NYLON 11-1/4" | 2 |
| 9 | 77044 | PLUG W/ 12/3 WIRE HARNESS, LOCKING | 1 |
| 10 | 40000 | CONNECTOR, LOCKING 20A/250V L6-20C | 1 |
| 11 | 86027 | MOUNTING BRKT., STARTER | 1 |
| 12 | 11732 | SCREW, MACHINE 10-32 X 1-3/4 RPH | 2 |
| | 10384 | SCREW, MACHINE 10-32 X 1 RHP | 1 |
| 13 | 10832 | NUT, KEPS LOCK 10-32 ZINC | 3 |
| 14 | 10846 | SCREW, CAP STSHW 1/4-20 X 1/2 | 2 |
| 15 | 10038 | WASHER, LOCK 1/4 ZINC | 2 |
| 16 | 11690 | CLAMP, LOOM, 3/8" | 1 |
| 17 | 10831 | WASHER, LOCK, INT. TOOTH #10 | 1 |
| 18 | 10877 | SCREW, CAP STSHW 10-24 X 1/2 | 1 |
| 19 | 15204 | PLUG, RECT. HOLE, PLASTIC SNAP-IN | 1 |
| 20 | 77037 | MOUNT, MOTOR | 1 |
| 21 | 10021 | SCREW, CAP 3/8-24 X 1 | 4 |
| 22 | 10025 | WASHER, FLAT 3/8 SAE ZINC | 8 |
| 23 | 10811 | WASHER, LOCK 3/8 ZINC | 4 |
| 24 | 10014 | NUT, HEX 3/8-24 ZINC | 4 |
| 25 | 10802 | BOLT, CARRIAGE 3/8-16 X 1 FULL THD. | 4 |
| 26 | 10404 | NUT, HEX 3/8-16 ZINC | 4 |
| 27 | 77030 | SHEAVE 3"OD X 1GR.B X 1-1/8"BORE (2HP 50Hz) | 1 |
| | 79023 | SHEAVE 3"OD X 2GR.B X 1-1/8"BORE (3HP 60Hz) | 1 |
| 28 | ----- | KEY (INCLUDED W/ MOTOR) | 1 |
| 29 | 10051 | BELT 5L 270 (21/32" X 27") | 1 OR 2 |
| 30 | 3654 | SHEAVE 5"OD X 1GR.B X 3/4"BORE (2HP 50Hz) | 1 |
| | 77058 | SHEAVE 5"OD X 2GR.B X 3/4"BORE (3HP 60Hz) | 1 |
| 31 | 10016 | KEY 3/16SQ X 1-1/2 | 1 |

**ILLUSTRATION 11:
ENGINE & BELT DRIVE GROUPING FOR HONDA GX160**



EdcoParts.com

888-634-4289

An iBuy Stores Company

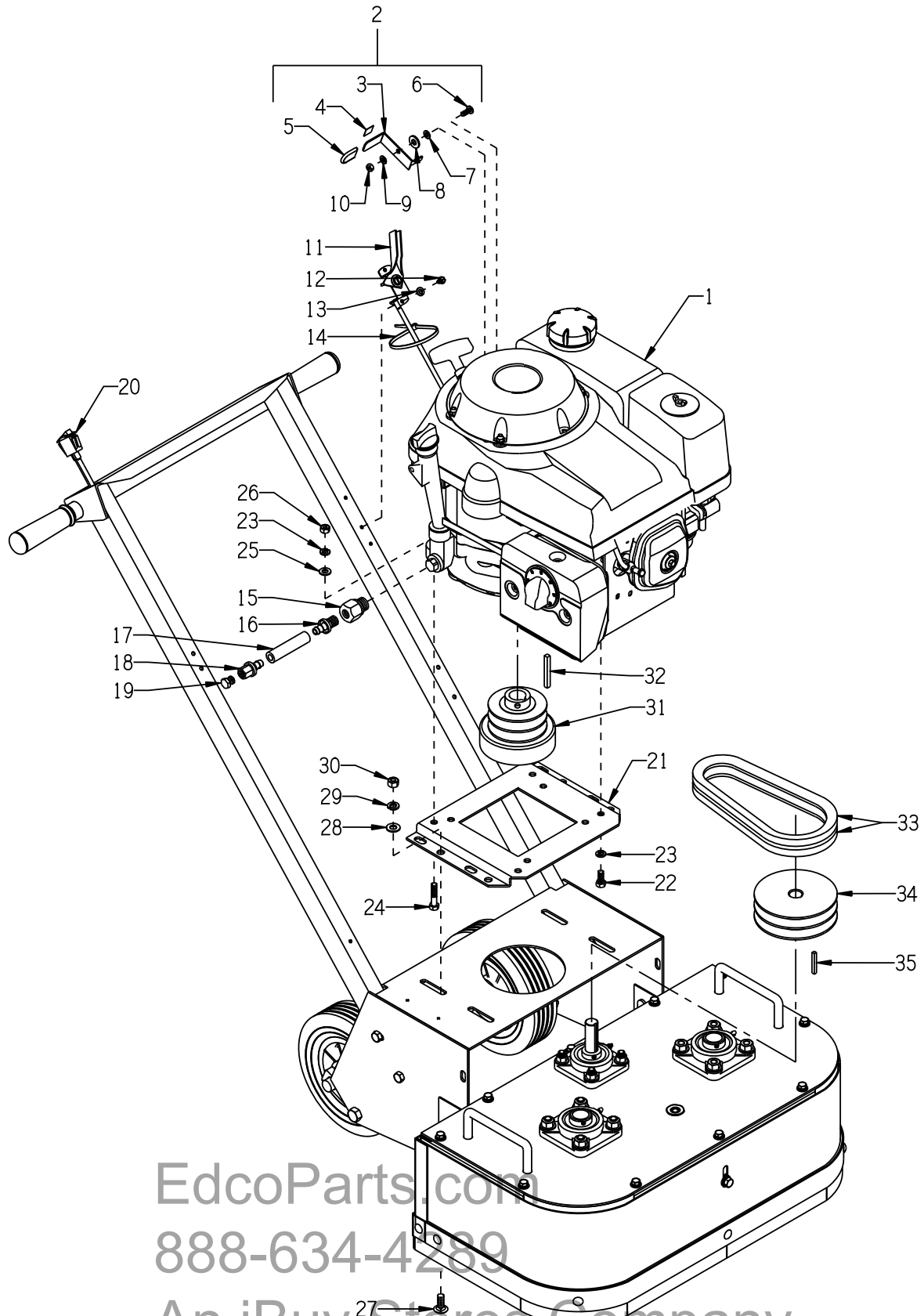
| PARTS LISTING - ILLUSTRATION 11: ENGINE & BELT DRIVE GROUPING FOR HONDA GX160 | | | |
|--|--------|--|------|
| ITEM # | PART # | DESCRIPTION | QTY. |
| 1 | 76020 | ENGINE, HONDA GXV160UH2-N12 WITH STANDARD DUAL ELEMENT AIR CLEANER | 1 |
| 2 | 15180 | MANUAL CHOKE KIT FOR HONDA GXV160 (INCLUDES ITEMS 3 THRU 9) | 1 |
| 3 | 15182 | BRKT., CHOKE CONTROL, GXV160 | 1 |
| 4 | 15181 | LEVER, CHOKE CONTROL, GXV160 | 1 |
| 5 | 15184 | CAP, FLAT RED .062 X .75 X 1 | 1 |
| 6 | 91301 | DECAL, CHOKE 5/8 X 5/8 | 1 |
| 7 | 10834 | SCREW, CAP 1/4-20 X 1/2 | 1 |
| 8 | 15186 | WASHER, BELLEVILLE .500 X.255 X.018 | 1 |
| 9 | 10150 | NUT, HEX NYLON LOCK 1/4-20 | 1 |
| 10 | 11541 | BARB, PUSH-ON 3/8 HOSE X10MM X 1.25 | 1 |
| 11 | 72106 | HOSE, PUSH-ON 3/8"ID X 2-1/4"L | 1 |
| 12 | 11544 | BARB, PUSH-ON 3/8 HOSE X 1/4FPT | 1 |
| 13 | 10776 | PIPE PLUG 1/4 NPT (BRASS) | 1 |
| 14 | 40388 | CABLE, THROTTLE, LEVER-TYPE 24" | 1 |
| 15 | 10877 | SCREW, CAP STSHW 10-24 X 1/2 | 2 |
| 16 | 10831 | WASHER, LOCK, INT. TOOTH #10 | 2 |
| 17 | 10982 | TIE, CABLE, BLACK NYLON 11-1/4" | 1 |
| 18 | 15201A | SWITCH W/ WIRES, ROCKER RED ON-OFF ADDITIONAL PARTS REQ'D. (NOT SHOWN); | 1 |
| | 50084 | TERM., RING #10 16-14GA. INSULATED | 1 |
| | 10831 | WASHER, LOCK, INT. TOOTH #10 | 1 |
| | 10877 | SCREW, CAP STSHW 10-24 X 1/2 | 1 |
| | 10970 | CONN., WIRE QUICK-SPLICE 18-14 GA. | 1 |
| | 36042 | CLIP, NATURAL CORD, 1/8" X 1/4" | 2 |
| 19 | 76023 | MOUNT, ENGINE, VERT. SHAFT | 1 |
| 20 | 10048 | SCREW, CAP 5/16-24 X 3/4 | 2 |
| 21 | 10801 | WASHER, LOCK 5/16 ZINC | 4 |
| 22 | 10342 | SCREW, CAP 5/16-18 X 1-1/2 | 2 |
| 23 | 10213 | WASHER, FLAT 5/16 SAE ZINC | 2 |
| 24 | 10054 | NUT, HEX 5/16-18 ZINC | 2 |
| 25 | 10802 | BOLT, CARRIAGE 3/8-16 X 1 FULL THD. | 4 |
| 26 | 10025 | WASHER, FLAT 3/8 SAE ZINC | 4 |
| 27 | 10811 | WASHER, LOCK 3/8 ZINC | 4 |
| 28 | 10404 | NUT, HEX 3/8-16 ZINC | 4 |
| 29 | 10019 | KEY, WOODRUFF 5/32 X 5/8 (#505) | 1 |
| 30 | 77024 | CLUTCH, CENTRIFUGAL 3.5 X 1GR X 7/8 | 1 |
| 31 | 72006 | WASHER, 1-1/4OD X 13/32ID X 1/8THK | 1 |
| 32 | 10811 | WASHER, LOCK 3/8 ZINC | 1 |
| 33 | 10336 | SCREW, CAP 3/8-24 X 2-1/4 | 1 |
| 34 | 10051 | BELT-5L-270 (21/32" X 27") | 1 |
| 35 | 3654 | SHEAVE 5"OD X 1GR.B X 3/4"BORE | 1 |
| 36 | 10016 | KEY 3/16SQ X 1-1/2 | 1 |

EdcoParts.com

888-634-4289

AntiBuy Stores Company

**ILLUSTRATION 12:
ENGINE & BELT DRIVE GROUPING FOR HONDA GX340**



EdcoParts.com

888-634-4289

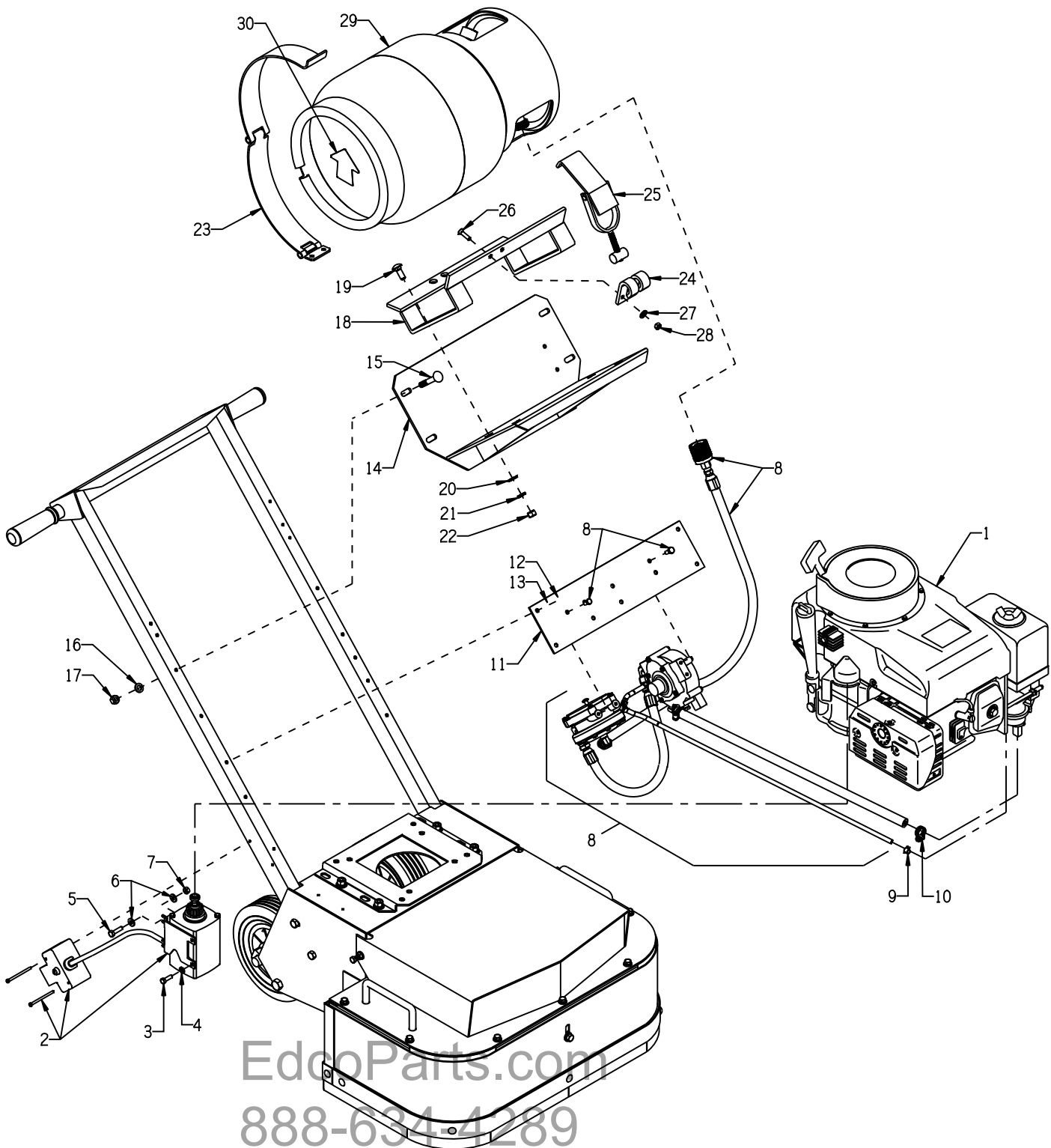
An iBuy Stores Company

**PARTS LISTING - ILLUSTRATION 12:
ENGINE & BELT DRIVE GROUPING FOR HONDA GX340**

| ITEM # | PART # | DESCRIPTION | QTY. |
|--------|---|---|----------------------------|
| 1 | 76004 15012 | ENGINE HONDA GASOLINE MODEL GXV340UT2-DX3 (SHOWN) HONDA PROPANE MODEL GXV340UT2-DP23 (ILLUS. 13) | 1 |
| 2 | 15190 | MANUAL CHOKE KIT - GASOLINE ENGINE ONLY (INCLUDES ITEMS 3 THRU 10) | 1 |
| 3 | 15183 | LEVER, CHOKE CONTROL, GXV340 | 1 |
| 4 | 91301 | DECAL, CHOKE 5/8 X 5/8 | 1 |
| 5 | 15184 | CAP, FLAT RED .062 X .75 X 1 | 1 |
| 6 | 15185 | SCREW, MACHINE M6 X 16MM PHILLIP HD | 1 |
| 7 | 15188 | WASHER .265"ID, .50"OD, .029-.035"THK | 1 |
| 8 | 15187 | WASHER, FIBER .75 X .25 X .093 | 1 |
| 9 | 15186 | WASHER, BELLEVILLE .500 X.255 X.018 | 1 |
| 10 | 28026 | NUT, HEX NYLON LOCK M6 X 1MM | 1 |
| 11 | 40388 | CABLE, THROTTLE, LEVER-TYPE 24" | 1 |
| 12 | 10877 | SCREW, CAP STSHW 10-24 X 1/2 | 2 |
| 13 | 10831 | WASHER, LOCK, INT. TOOTH #10 | 2 |
| 14 | 10982 | TIE, CABLE, BLACK NYLON 11-1/4" | 1 |
| 15 | 11689 | ADAPTER, 20MM X 1.5 TO 1/4FPT | 1 |
| 16 | 10657 | BARB, PUSH-ON 3/8 HOSE X 1/4MPT | 1 |
| 17 | 72106 | HOSE, PUSH-ON 3/8"ID X 2-1/4"L | 1 |
| 18 | 11544 | BARB, PUSH-ON 3/8 HOSE X 1/4FPT | 1 |
| 19 | 10776 | PIPE PLUG 1/4 NPT (BRASS) | 1 |
| 20 | 15201A 50084 10831 10877 10970 36042 | SWITCH W/ WIRES, ROCKER RED ON-OFF ADDITIONAL PARTS REQ'D. (NOT SHOWN); TERM., RING #10 16-14GA. INSULATED WASHER, LOCK, INT. TOOTH #10 SCREW, CAP STSHW 10-24 X 1/2 CONN., WIRE QUICK-SPLICE 18-14 GA. CLIP, NATURAL CORD, 1/8" X 1/4" | 1 1 1 1 1 2 |
| 21 | 76023 | MOUNT, ENGINE, VERT. SHAFT | 1 |
| 22 | 10048 | SCREW, CAP 5/16-24 X 3/4 | 2 |
| 23 | 10801 | WASHER, LOCK 5/16 ZINC | 4 |
| 24 | 10606 | SCREW, CAP 5/16-18 X 1-1/4 | 2 |
| 25 | 10213 | WASHER, FLAT 5/16 SAE ZINC | 4 |
| 26 | 10054 | NUT, HEX 5/16-18 ZINC | 4 |
| 27 | 10802 | BOLT, CARRIAGE 3/8-16 X 1 FULL THD. | 4 |
| 28 | 10025 | WASHER, FLAT 3/8 SAE ZINC | 4 |
| 29 | 10811 | WASHER, LOCK 3/8 ZINC | 4 |
| 30 | 10404 | NUT, HEX 3/8-16 ZINC | 4 |
| 31 | 76024 | CLUTCH, CENTRIFUGAL 3.5 X 2GR X 1 | 1 |
| 32 | 10307 | KEY 1/4SQ X 2-1/4 | 1 |
| 33 | 10051 | BELT 5L270 (21/32" X 27") | 2 |
| 34 | 77058 | SHEAVE 5"OD X 2GR.B X 3/4"BORE | 1 |
| 35 | 10016 | KEY 3/16SQ X 1-1/2 | 1 |

EdcoParts.com
888-634-4289
An iBuy Stores Company

ILLUSTRATION 13: PROPANE GROUPING



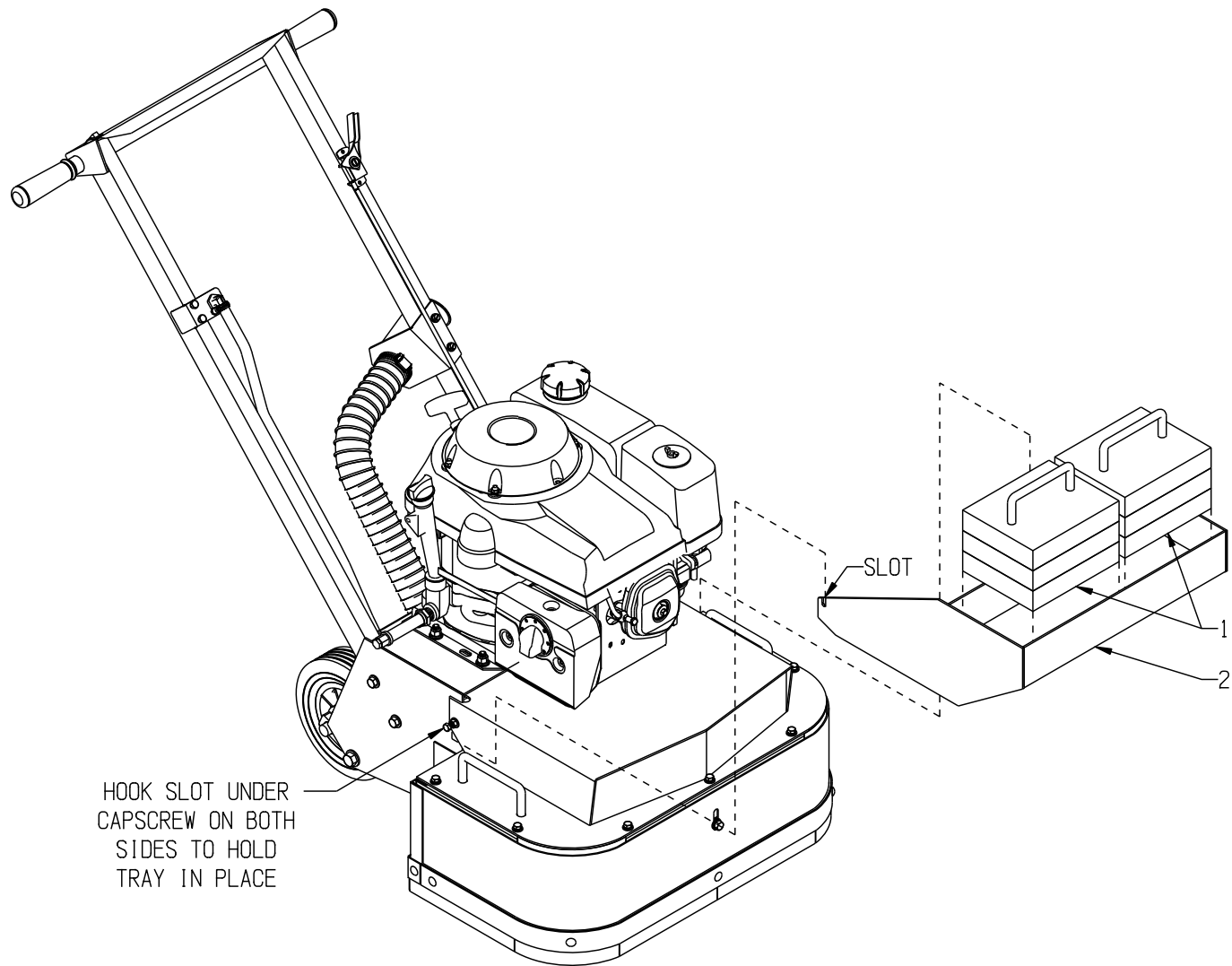
EdcoParts.com
888-634-4289

An iBuy Stores Company

PARTS LISTING - ILLUSTRATION 13 : PROPANE GROUPING

| ITEM # | PART # | DESCRIPTION | QTY. |
|--------|---------|--|------|
| 1 | 15012 | ENGINE, HONDA PROPANE MODEL GXV340T2-DP23 (SEE ILLUS. 12) | 1 |
| 2 | 15126 | STARTER KIT, ELECTRIC 120 VOLT AC (INCLUDES POWER CORD - NOT SHOWN) | 1 |
| 3 | 11634 | SCREW, CAP M6 X 1.0P X 20MM | 2 |
| 4 | 10038 | WASHER, LOCK 1/4 ZINC | 2 |
| 5 | 10031 | SCREW, CAP 1/4-20 X 1 | 2 |
| 6 | 10602 | WASHER, FLAT 1/4 SAE (USE 2 FOR SHIMS WHEN REQ'D.) | 4 |
| 7 | 10013 | NUT, HEX 1/4-20 ZINC | 2 |
| 8 | 15102 | VAPOR KIT FOR HONDA GXV340T2-DP23 KIT INCLUDES: HIGH PRESSURE VAPOR REGULATOR G-SE-50 2A-C (1 EA.) FUELOCK VAPOR FILTER G-SE-VFF30-2-4 (1 EA.) HIGH PRESSURE HOSE W/ FITTINGS 11-1/2" (1 EA.) HIGH PRESSURE HOSE W/ FITTINGS 38-1/2" (1 EA.) HOSE, PUSH LOCK 3/8"ID X 32"L (1 EA.) HOSE, VACUUM 3/16"ID X 48"L (1 EA.) REGO 7141F FEMALE COUPLING, BRASS (1 EA.) FITTING 1/4NPT X 3/8FLARE 90DEG, BRASS (3 EA.) FITTING 3/8" PIPE X 3/8" HOSE BARB ELBOW, BRASS . . . (1 EA.) FITTING 1/8NPT X 3/16" HOSE, ELBOW, BRASS (1 EA.) FITTING 1/8NPT X 3/16" HOSE BARB, BRASS (1 EA.) FITTING 3/16" TEE, NYLON (1 EA.) MOUNTING SCREWS (4 EA.) | 1 |
| 9 | 11720 | CLAMP, HOSE SPRING-TYPE 1/8" BLACK 02-041 | 6 |
| 10 | 50069 | CLAMP, HOSE, SAE #6, ADJ. TO 13/16 | 2 |
| 11 | 77063 | PROPANE REGULATOR MOUNT PLATE | 1 |
| 12 | 10846 | SCREW, CAP STSHW 1/4-20 X 1/2 | 4 |
| 13 | 10038 | WASHER, LOCK 1/4 ZINC | 4 |
| 14 | 77062 | PROPANE TANK MOUNT | 1 |
| 15 | 10908 | BOLT, CARRIAGE 3/8-16 X 2-1/2 | 4 |
| 16 | 10811 | WASHER, LOCK 3/8 ZINC | 4 |
| 17 | 10404 | NUT, HEX 3/8-16 ZINC | 4 |
| 18 | 77061-1 | PROPANE TANK CRADLE BRACKET ONLY | 1 |
| 19 | 10802 | BOLT, CARRIAGE 3/8-16 X 1 FULL THD. | 4 |
| 20 | 10025 | WASHER, FLAT 3/8 SAE ZINC | 4 |
| 21 | 10811 | WASHER, LOCK 3/8 ZINC | 4 |
| 22 | 10404 | NUT, HEX 3/8-16 ZINC | 4 |
| 23 | 77061-2 | PROPANE TANK STRAP W/ HINGE | 1 |
| 24 | 77061-3 | PROPANE TANK CLAW BRACKET | 1 |
| 25 | 77061-4 | PROPANE TANK TOGGLE CLAMP | 1 |
| 26 | 11661 | SCREW, FLAT HD SLT 1/4-20 X 1 | 2 |
| 27 | 10602 | WASHER, FLAT 1/4 SAE | 2 |
| 28 | 10861 | NUT, KEPS LOCK 1/4-20 ZINC | 2 |
| 29 | 15130 | PROPANE TANK 20LB. HORZ./VERT. | 1 |
| 30 | 91122 | DECAL, ARROW, RED, 3 X 3 | 1 |

**ILLUSTRATION 14:
OPTIONAL WEIGHT BLOCKS & TRAY**



| ITEM # | PART # | DESCRIPTION | QTY. |
|--------|--------|------------------------------|--------|
| 1 | 77049 | WT-55 WEIGHT 55 LBS. (25 KG) | 1 OR 2 |
| 2 | 77050 | WT-1 WEIGHT HOLDING TRAY | 1 |

888-634-4289

An iBuy Stores Company