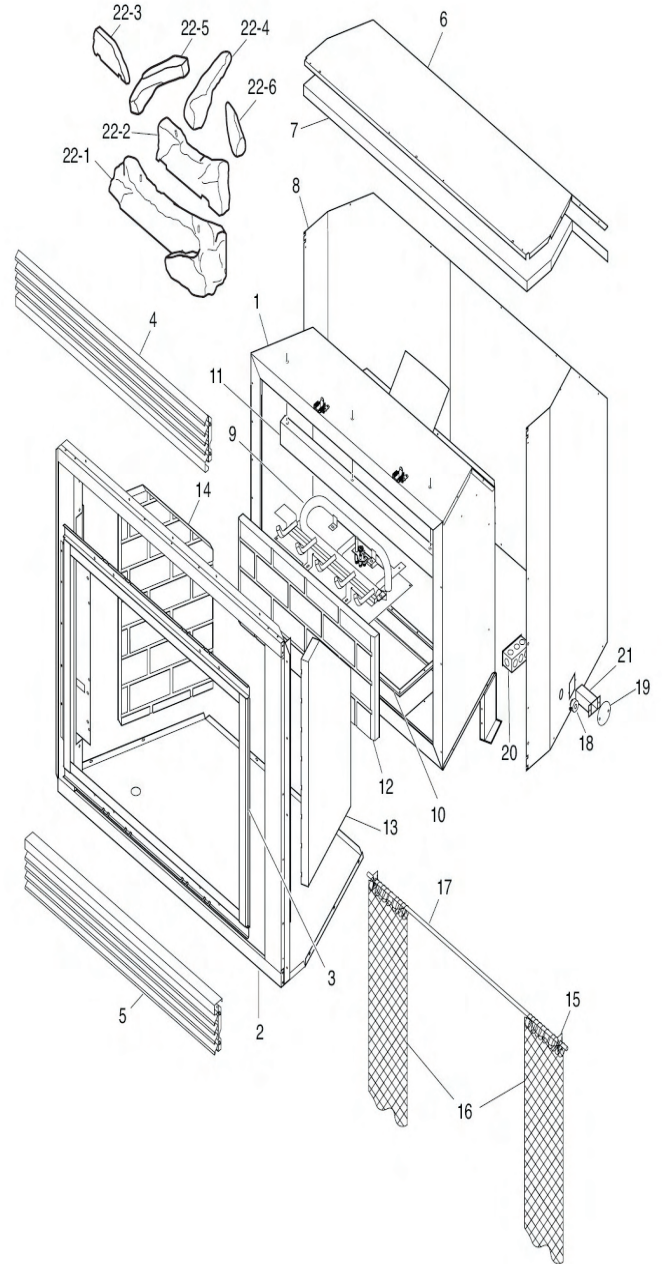


# FMI Tudor 32" Direct Vent Firebox

MODELS: T32N-A, T32P-A, T32NR-A, T32PR-A, T32NB-A, T32PB-A, T32NRB-A, T32PRB-A, T32EN-A, T32EP-A, T32ENR-A, T32EPR-A, T32ENB-A, T32EPB-A, T32ENRB-A, T32EPRB-A,

	Part Number	Description
1	**	Firebox Assembly
2	**	Face Weldment
3	108892-01	Door Assembly
4	109155-01	Top Stamped Louver
	108903-01	Top Rolled Louver
5	109155-02	Bottom Stamped Louver
	108903-02	Bottom Rolled Louver
6	**	Fireplace Top
7	**	Fireplace Top Insulation
8	**	Fireplace Surround
9	108885-01	Burner Assembly (Natural Gas)
	108885-02	Burner Assembly (Propane Gas)
10	108890-01	Burner Base Gasket
11	109082-03	Heat Shield
12	108897-01	Rear Refractory (B Models Only)
13	108901-01	Right Refractory (B Models Only)
14	108901-02	Left Refractory (B Models Only)
15	11418	Push-On Nut
16	12125	Screen
17	109479-01	Screen Rod
18	14123	Strain Relief
19	21171	Gas Knock-Out Cover
20	24353	Handy Box Assembly
21	24460	Gas Conduit Assembly
22	109222-01	Log Set
22-1	109403-01	Front Log (No. 1)
22-2	109404-01	Rear Log (No. 2)
22-3	109407-01	Base Log (No. 3)
22-4	109406-01	Crossover Log (No. 4)
22-5	109405-01	Left Top Log (No. 5)
22-6	109408-01	Right Top Log (No. 6)
<b>PARTS AVAILABLE - NOT SHOWN</b>		
	25487	Lava Rock/Bag Assembly





# FMI Tudor 32" Direct Vent Elec. Ign. Burner Assembly

MODELS: T32EN-A, T32EP-A, T32ENR-A, T32EPR-A, T32ENB-A, T32EPB-A, T32ENRB-A, T32EPRB-A

	Part Number	Description
1	11102	Screw #8-32 x 3/8 PPH Zinc
2	11105	Screw #10 x 1/2 Zinc
3	108886-01	Base Grate Assembly
4	108891-01	Burner
5	108866-01	Pilot Assembly (Natural)
	108866-02	Pilot Assembly (Propane/LP)
6	27113	Air Deflector
7	**	Burner Assembly Base
8	26808	Valve Bracket
9	11179	Screw #10-24 x 1/4 Zinc
10	14253	Flexible Connector
11	14500	Brass Fitting
12	14569	Electronic Valve (Natural)
	14570	Electronic Valve (Propane/LP)
13	26827	Switch Bracket
14	104509-02	Aluminum Tubing Assembly
15	104506-25	Orifice #47 (Natural)
	14514	Orifice #55 (Propane/LP)
16	14528	Brass Elbow Fitting
17	108863-01	Supply Connect Plug
18	23416	Electronic Components Board
19	14129	Transformer
20	11147	Screw, #10-24 x 1/2 PPH Blk
21	110286-01	Ignition Module, Syntek
22	11186	Screw, #8-32 x 1 Zinc
23	11201	Hex Nut
24	17223	Magnet
25	14520	Female Spade Connector
26	14134	18 Ga. Black Wire
27	14126	16 Ga. Green Wire
28	14115	Spade Tongue Connector
29	14149	Right Angle Spade Connector

