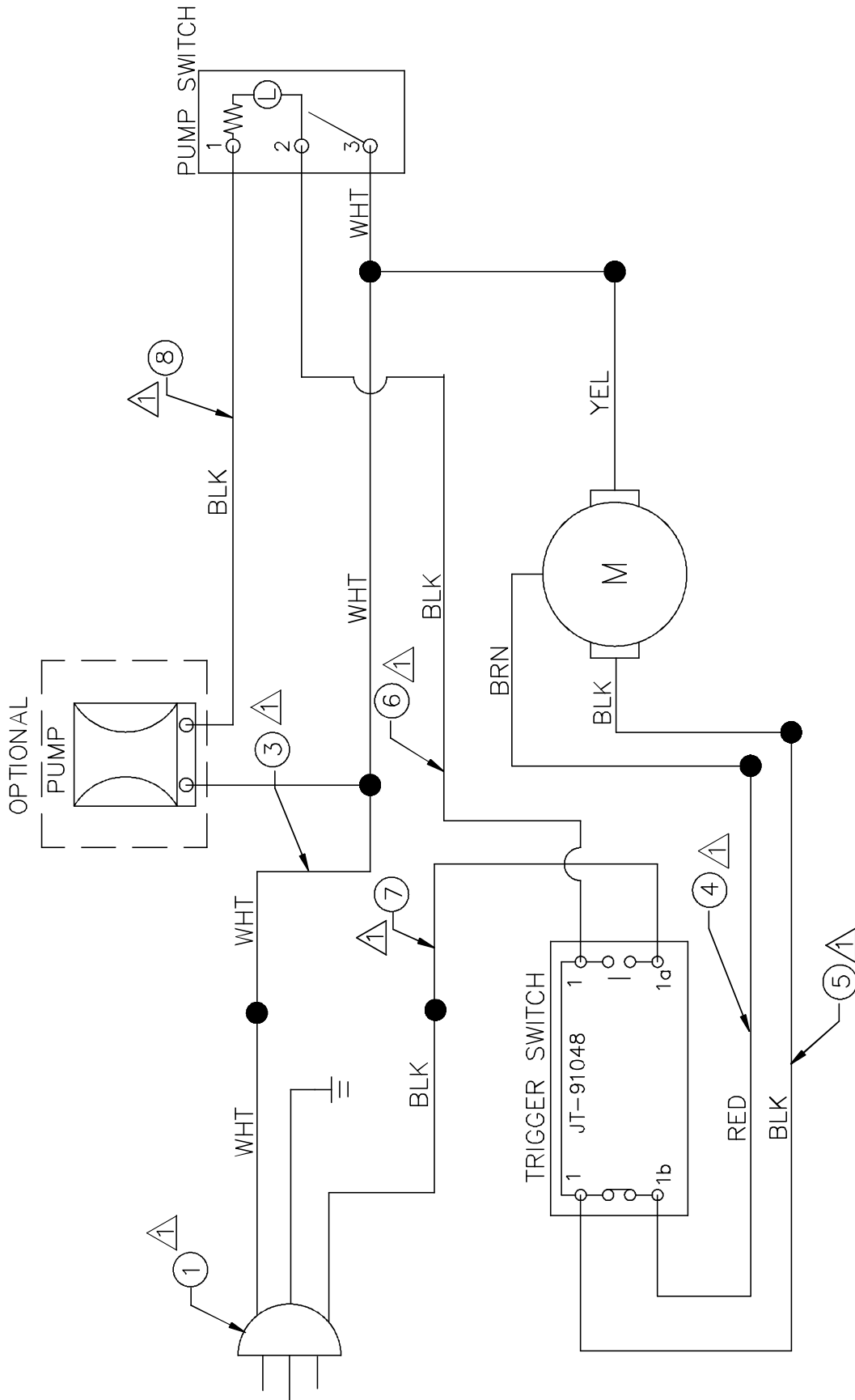
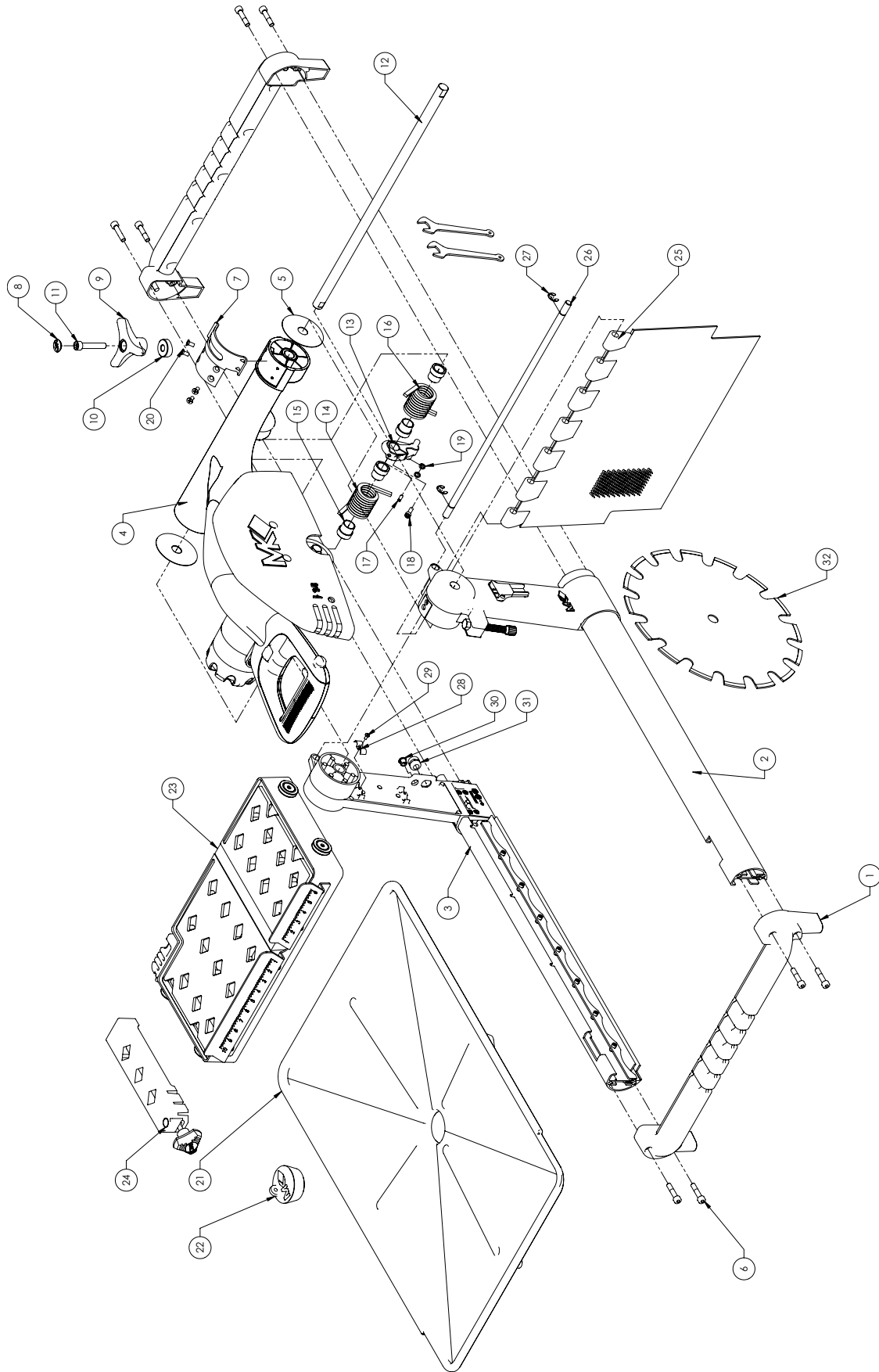


BRICK SAW ELECTRICAL WIRING DIAGRAM



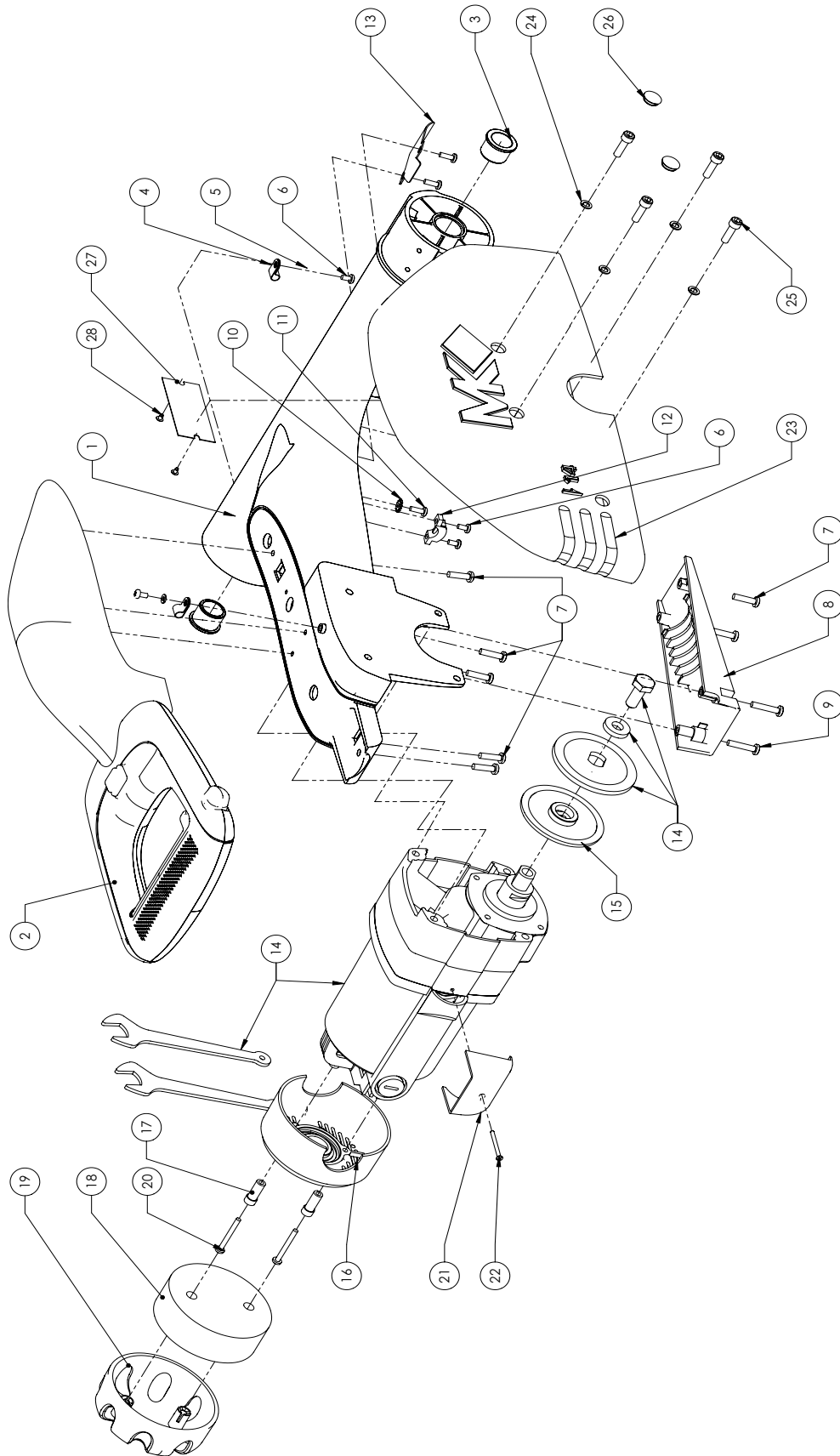
ASSEMBLY FINAL (WITHOUT MISTING COMPONENTS)



PART LIST, ASSEMBLY, FINAL

ITEM NO.	PART NUMBER	DESCRIPTION	QTY.
1	166231	ASSY, END CAP	2
2	166234	ASSY, RIGHT FRAME	1
3	166235	ASSY, LEFT FRAME	1
4	166238	ASSY, CUTTING HEAD	1
5	164675	RING, WEAR	2
6	164721	SCREW, SOC HD CAP, M8x30mm	8
7	164712	INDICATOR, DEPTH	1
8	166311	COVER, KNOB	1
9	166312	KNOB, TRI	1
10	164727	BUSHING, LOCK	1
11	164773	SCREW, SOC HD CAP TAPPING, M10x56mm	1
12	164658	SHAFT, PIVOT	1
13	166313	RETAINER, SPRING	1
14	164660	SPRING, TORSION, LH	1
15	164661	SPACER, SPRING	4
16	164762	SPRING, TORSION, RH	1
17	164787	SCREW, SOC SET, M5x16mm	1
18	164775	SCREW, SOC HD CAP, M6x25mm	1
19	164803	WASHER, FLAT, M7	2
20	164789	SCREW, FLAT HD PHIL, M6x13mm	4
21	164634	PAN, WATER	1
22	159858	PLUG, DRAIN	1
23	166233	ASSY, TABLE	1
24	166230	ASSY, RIP GUIDE	1
25	164769	CURTAIN, SPLASH	1
26	164665	ROD CURTAIN	1
27	164798	RING, E-RETAINING, 10mm	2
28	164724	CLAMP, TWIN	1
29	164776	SCREW, PAN HD PHIL, M4x8mm	1
30	164726	BUSHING, SNAP	1
31	164725	BUSHING, STRAIN RELIEF	1
32	157957-BK	BLADE	1

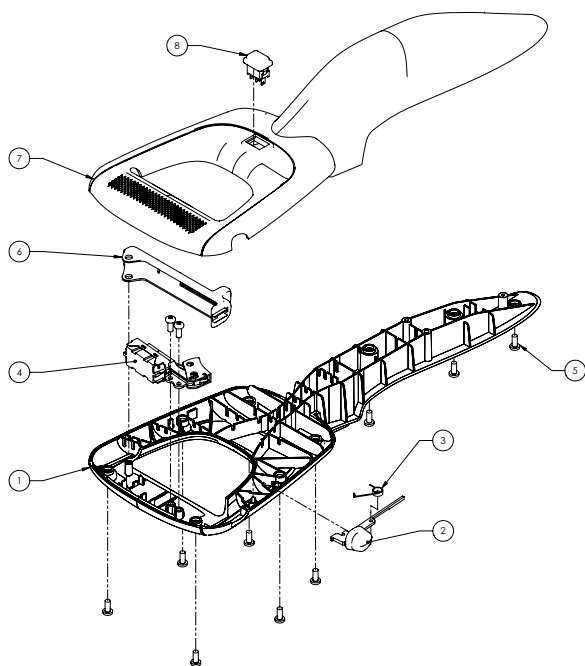
ASSEMBLY, CUTTING HEAD



PART LIST, ASSEMBLY, CUTTING HEAD (P# 166238)

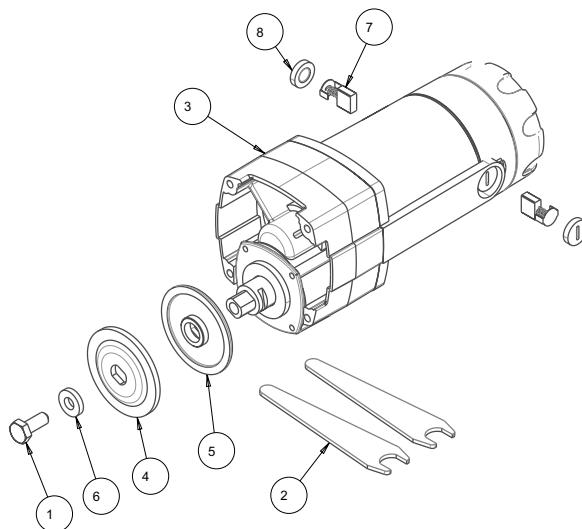
ITEM NO.	PART NUMBER	DESCRIPTION	QTY.
1	164673	ARM	1
2	166237	ASSY, HANDLE	1
3	164674	BUSHING, ARM	2
4	164698	CLAMP, TUBE	2
5	164795	WASHER, FLAT, M4	2
6	164776	SCREW, PAN HD PHIL, M4x8mm	4
7	164792	SCREW, PAN HD PHIL, M5x20mm	7
8	164680	COVER, PUMP	1
9	164781	SCREW, PAN HD PHIL, M5x25mm	2
10	164797	WASHER, TOOTH LOCK EXT, M4	1
11	164778	SCREW, PAN HD PHIL, M4x12mm	3
12	164759	CLAMP, CABLE	1
13	166314	SHIELD, POWER CORD	1
14	166232	MOTOR & ACCESSORIES	1
15	158106	FLANGE, INNER	1
16	157877	CAP, MOTOR	1
17	157879	SPACER, FILTER	2
18	157729	FILTER	1
19	157878	CAP, FILTER	1
20	158157	SCREW, PAN HD COMB SELF TAPPING, #8x1-1/2"	2
21	157880	COVER, WIRE	1
22	158160	SCREW, FLAT HD PHIL, #6x1-1/2"	1
23	164681	GUARD, BLADE	1
24	166249	WASHER, LOCK, M6	4
25	164775	SCREW, SOC HD CAP, M6x25mm	4
26	164685	PLUG, SCREW HOLE	2
27	157500	TAG, SERIAL	1
28	157849	PIN, DRIVE, #7x5/16	2

PARTS & LIST <CON'T>



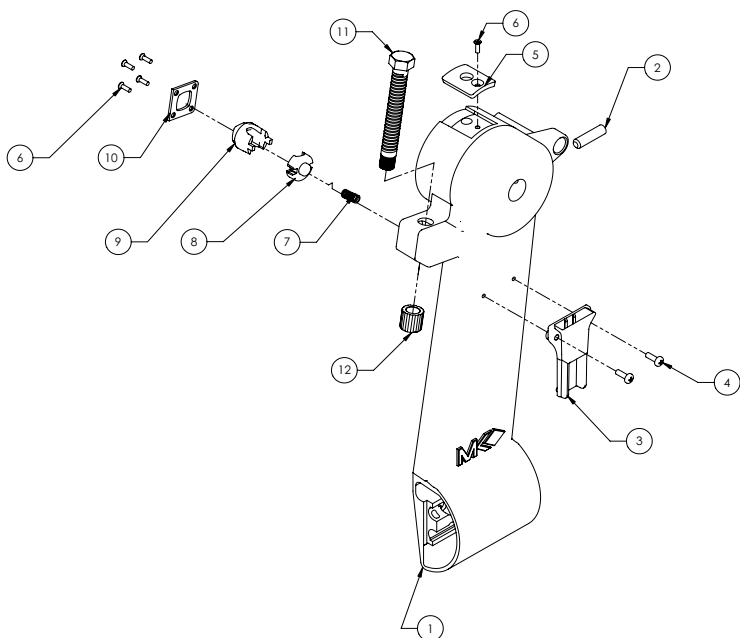
ASSY, HANDLE (P#166237)

ITEM NO.	PART NUMBER	DESCRIPTION	QTY.
1	164667	HANDLE, LOWER	1
2	164671	BUTTON, LOCK	1
3	164734	SPRING, RETURN	1
4	164832	SWITCH, TRIGGER	1
5	164791	SCREW, PAN HD, SELF TP, #10 x 1/2	11
6	164670	LEVER, SWITCH	1
7	164668	HANDLE, UPPER	1
8	166315	SWITCH, PUMP	1



MOTOR & ACCESSORIES (P#166232)

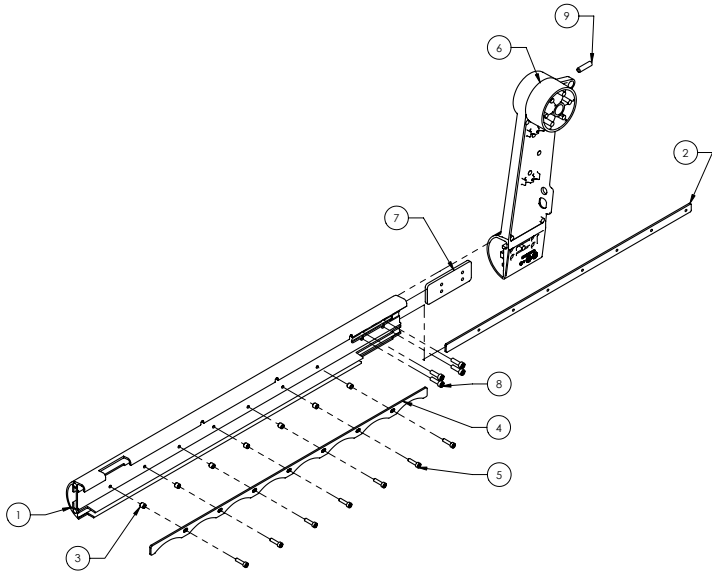
ITEM NO.	PART NUMBER	DESCRIPTION	QTY.
1	152272	SCREW, M10 X 1.5 HEX HD CAP	1
2	153450	WRENCH, TILESAW, 11/16 OPEN END	2
3	157801-C	MTR, 115V, 15A, AC	1
4	158105	FLANGE, OUTER	1
5	158106	FLANGE, Ø 3.0 INNER	1
6	166134	WASHER, HARDENED, 10.5X23X4.5MM	1
7	166228	BRUSH, MTR	2
8	166229	BRUSH CAP, MOTOR	2



ASSY, VERTICAL SUPPORT, RIGHT (P#166236)

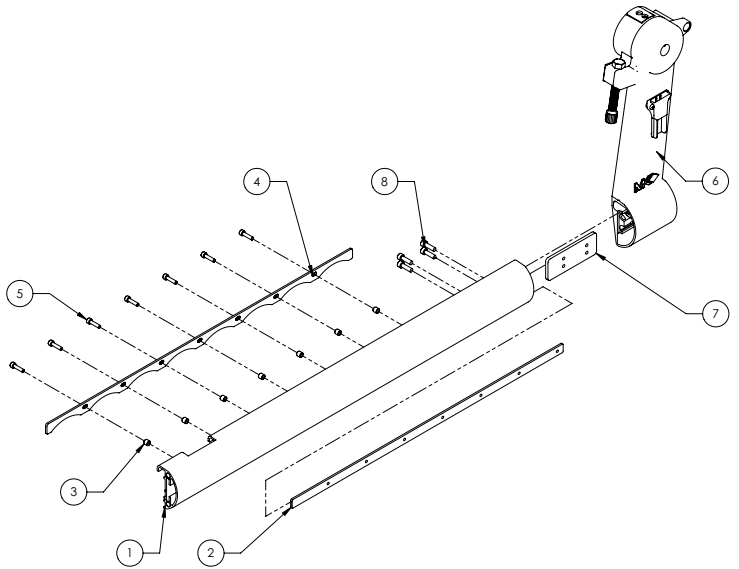
ITEM NO.	PART NUMBER	DESCRIPTION	QTY.
1	166227	SUPPORT, RIGHT VERTICAL	1
2	164788	SCREW, SOC SET, M8x30mm	1
3	164669	HOLDER, WRENCH	1
4	164778	SCREW, PAN HD PHIL, M4x12mm	2
5	164723	PLATE, LOCKING, CUTTING HEAD	1
6	164784	SCREW, FLAT HD PHIL, M4x10mm	5
7	164717	SPRING, RELEASE	1
8	166316	SEAT SPRING	1
9	164718	BUTTON, RELEASE	1
10	164716	COVER, RELEASE BUTTON	1
11	164713	STOP, DEPTH	1
12	164714	CAP, DEPTH STOP	1

ASSEMBLY THE WHOLE FRAME & PART LIST



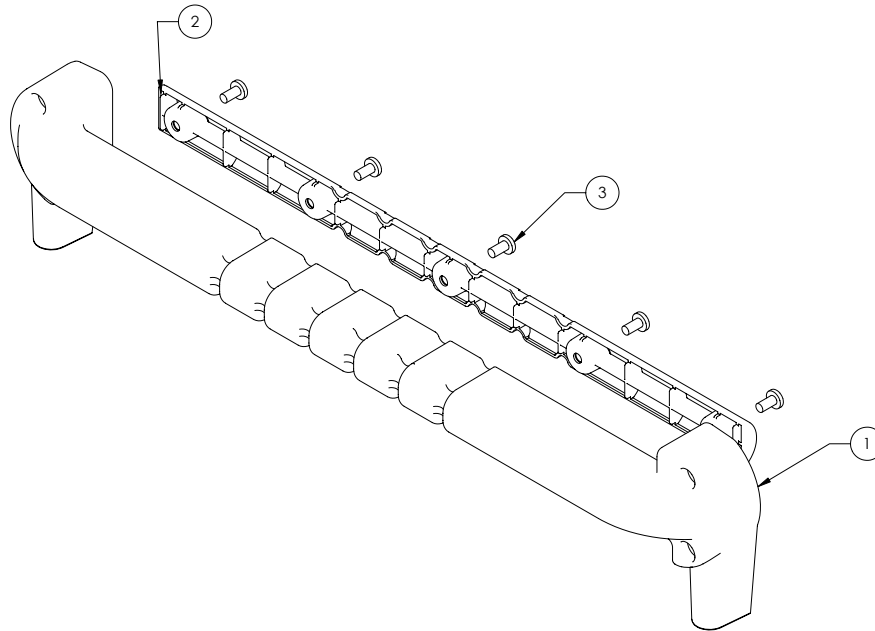
ASSY, LEFT FRAME (P#166235)

ITEM NO.	PART NUMBER	DESCRIPTION	QTY.
1	164649	FRAME, LEFT	1
2	164722	PLATE, RAIL SUPPORT	1
3	164651	STANDOFF, RAIL	7
4	164650	RAIL, STEEL	1
5	164774	SCREW, SOC HD CAP, M5x20mm	7
6	164655	SUPPORT, LEFT VERTICAL	1
7	164657	PLATE, RAIL SUPPORT	1
8	164775	SCREW, SOC HD CAP, M6x25mm	4
9	164788	SCREW, SOC SET, M8x30mm	1



ASSY, RIGHT FRAME (P#166234)

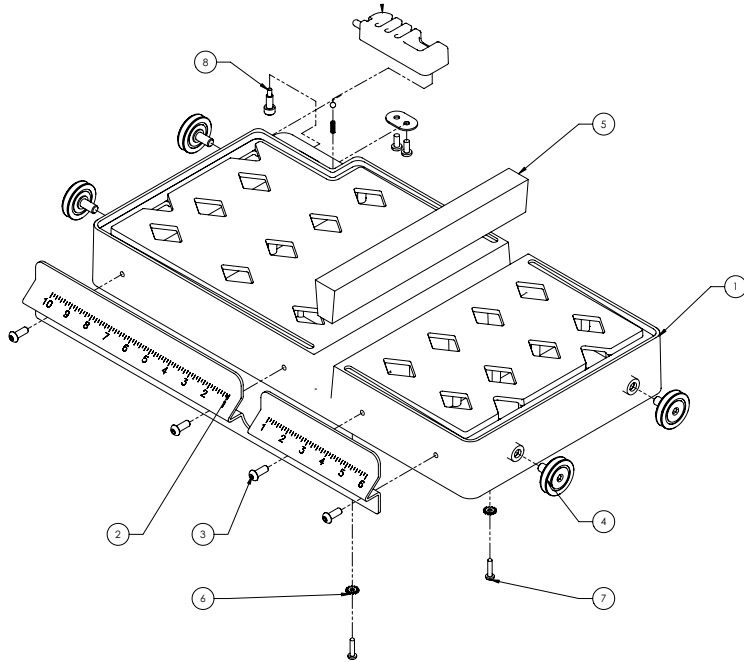
ITEM NO.	PART NUMBER	DESCRIPTION	QTY.
1	164648	FRAME, RIGHT	1
2	164722	PLATE, RAIL SUPPORT	1
3	164651	STANDOFF, RAIL	7
4	164650	RAIL, STEEL	1
5	164774	SCREW, SOC HD CAP, M5x20mm	7
6	166236	ASSY, SUPPORT, RIGHT VERTICAL	1
7	164657	PLATE, RAIL SUPPORT	1
8	164775	SCREW, SOC HD CAP, M6x25mm	4



ASSY, END CAP (P#166231)

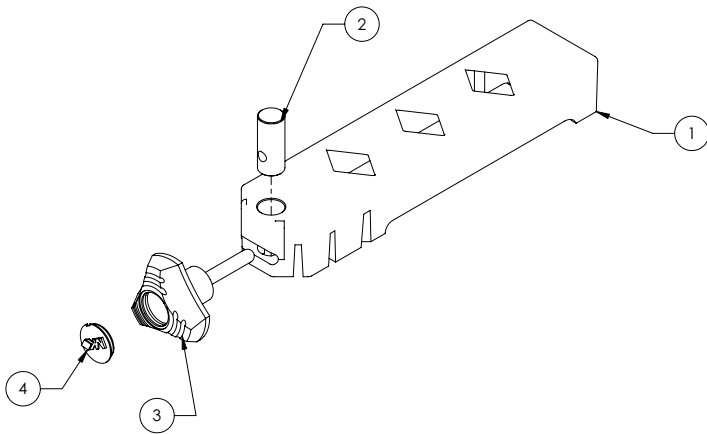
ITEM NO.	PART NUMBER	DESCRIPTION	QTY.
1	164652	END CAP	1
2	164653	COVER, END CAP	1
3	164783	SCREW, PAN HD PHIL, M6x12mm	5

ASSEMBLY TABLE, TABLE LOCK & PART LIST



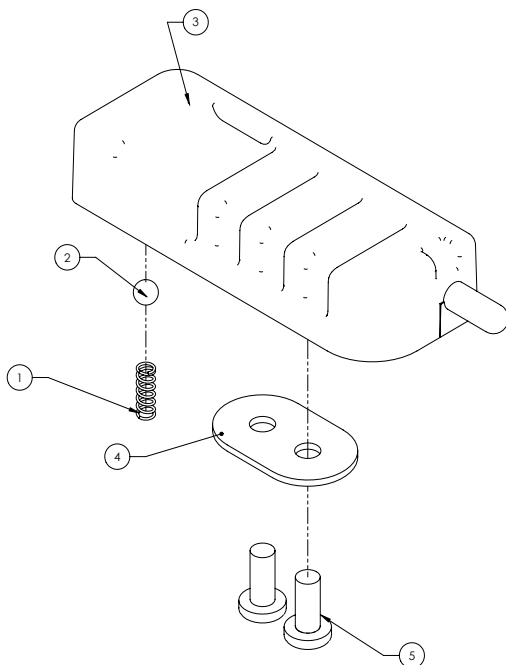
ASSY, TABLE (P#166233)

ITEM NO.	PART NUMBER	DESCRIPTION	QTY.
1	164636	TABLE	1
2	164637	FENCE, TABE	1
3	164772	SCREW, PAN HD PHIL, M6x16mm	4
4	133090	WHEEL, ROLLER	4
5	164641	STRIP, WOOD	1
6	164797	WASHER, TOOTH LOCK EXT, M4	2
7	164796	SCREW, WOOD, M4x20mm	2
8	164760	PIN, GUIDE	1
9	166239	KIT, TABLE LOCK	1



ASSY, RIP GUIDE (P#166230)

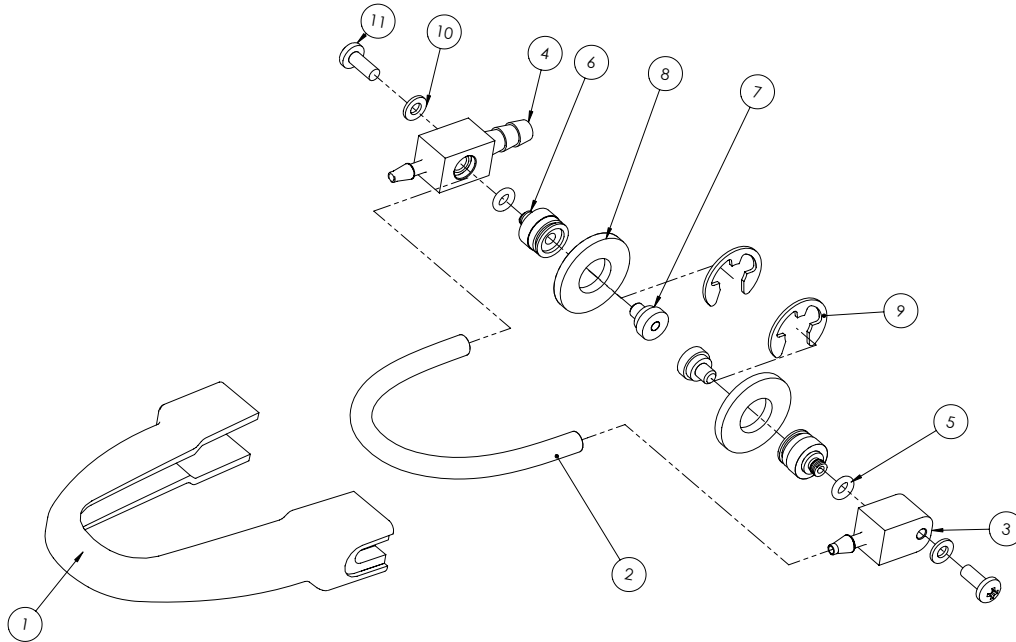
ITEM NO.	PART NUMBER	DESCRIPTION	QTY.
1	164645	GUIDE, RIP	1
2	164646	PIN, SWIVEL	1
3	164659	KNOB	1
4	164728	COVER, KNOB	1



KIT, TABLE LOCK (P#166239)

ITEM NO.	PART NUMBER	DESCRIPTION	QTY.
1	164644	SPRING, TABLE LOCK	1
2	164643	BALL, STEEL, 5mm	1
3	164642	LOCK, TABLE	1
4	164719	WASHER, DOUBLE HOLE	1
5	164791	SCREW, PAN HD PHIL, M5x12mm	2

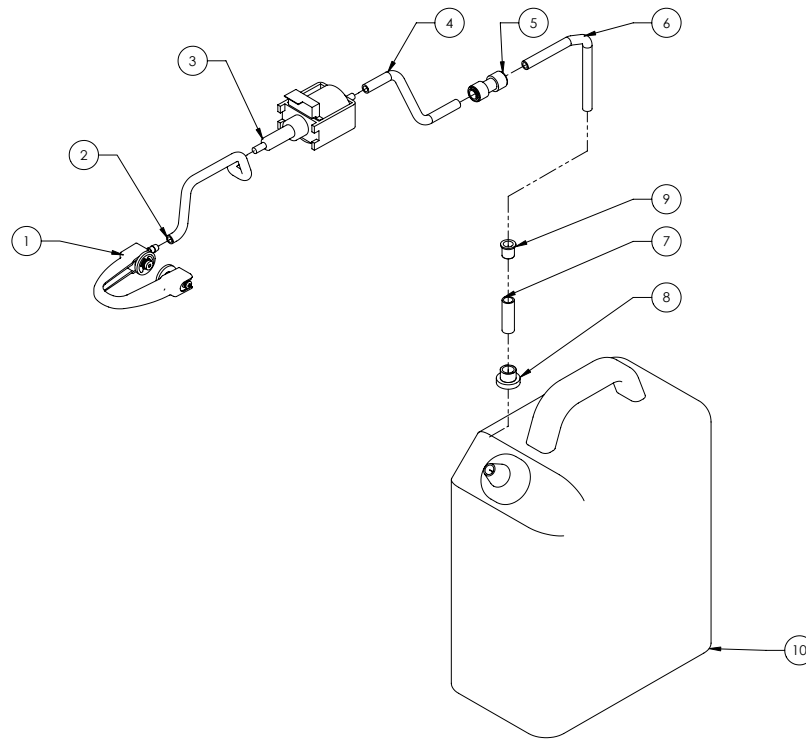
ASSEMBLY MISTING SYSTEM & PART LIST



MODULE, MISTING (P#166240)

ITEM NO.	PART NUMBER	DESCRIPTION	QTY.
1	164703	COVER, PLASTIC TUBE	1
2	164704	TUBING, PVC, 1/4x3/16x3.55"	1
3	164702	FITTING, SHORT	1
4	164701	FITTING, LONG	1
5	165009	O-RING, 7.8x1.9mm	2
6	164700	ADAPTER, NOZZLE	2
7	164699	NOZZLE, .012"	2
8	166194	WASHER, RUBBER, 26x12x3mm	2
9	166195	RING, E-RETAINING, 9mm	2
10	165007	WASHER, FLAT, M4	2
11	165006	SCREW, PAN HD PHIL, M4x8mm	2

ASSEMBLY MISTING SYSTEM WATER TANK & PART LIST



KIT, MISTING (P#165013-MK)

ITEM NO.	PART NUMBER	DESCRIPTION	QTY.
1	166240	MODULE, MISTING	1
2	165008	TUBING, POLYURETHANE, 3/8x.245x19	1
3	164693	PUMP	1
4	165005	TUBING, POLYURETHANE, 3/8x.245x24	1
5	165004	COUPLING, PUSH-TO-CONNECT, 3/8x3/8	1
6	164692	TUBING, PVC, 3/8x1/4x51"	1
7	165001	TUBING, PVC, 1/2x3/8x1-1/2	1
8	164691	FILTER	1
9	165003	GROMMET	1
10	165002	CONTAINER, WATER	1
11	165011	INSTRUCTION SHEET (NOT SHOWN)	1
12	152566	CARTON, OUTER (NOT SHOWN)	1