

Illustrated Parts Breakdown

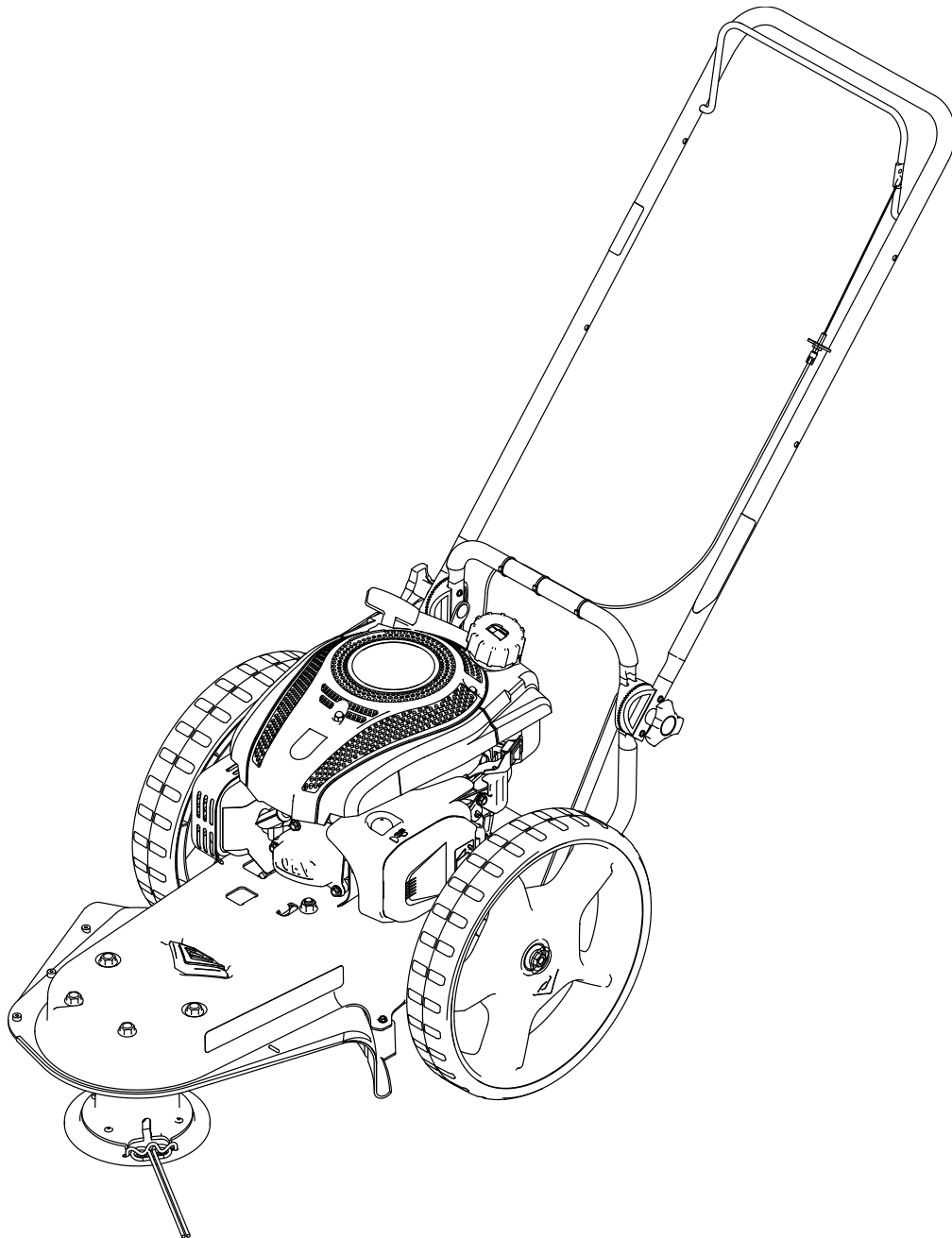
**28463**  
String Mower

**Model #: 28463**

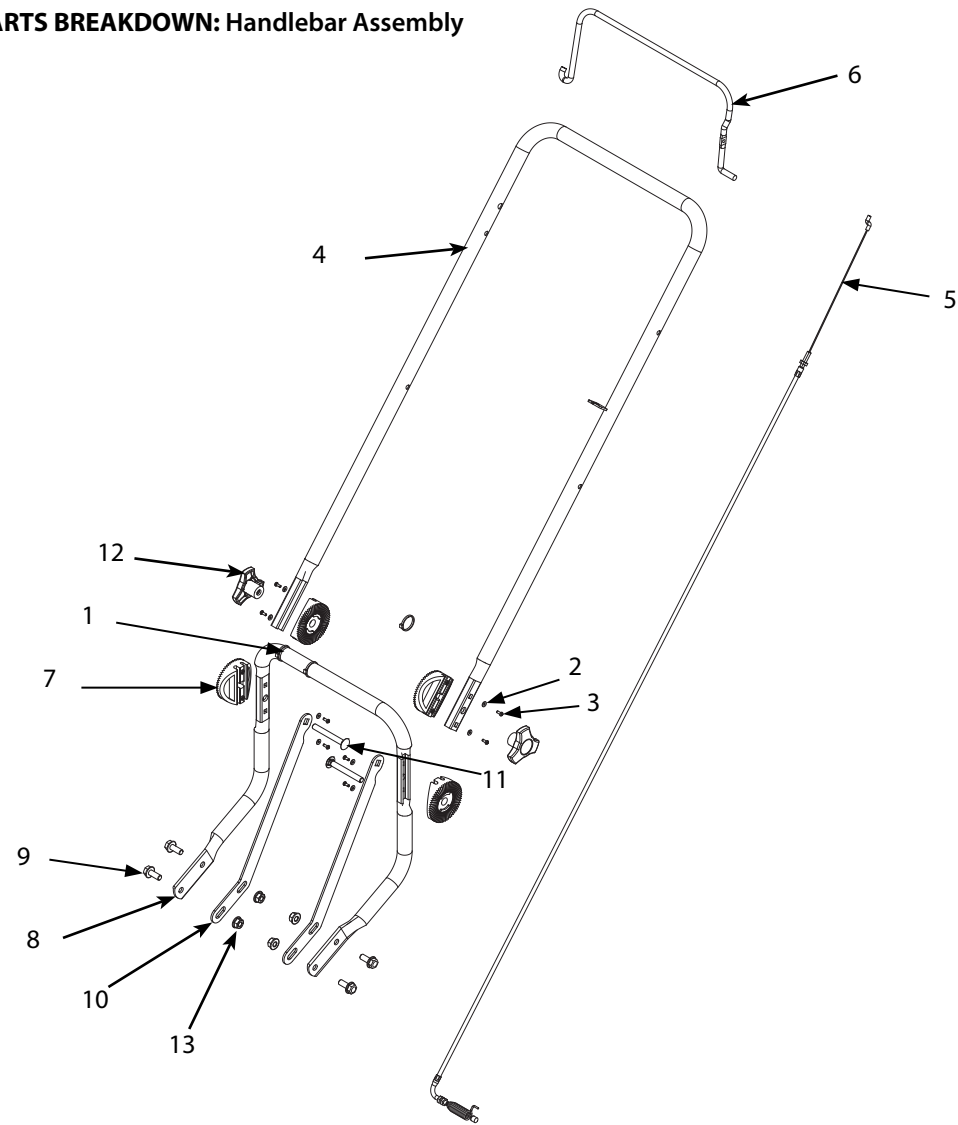
ENGLISH

FRENCH

S/N



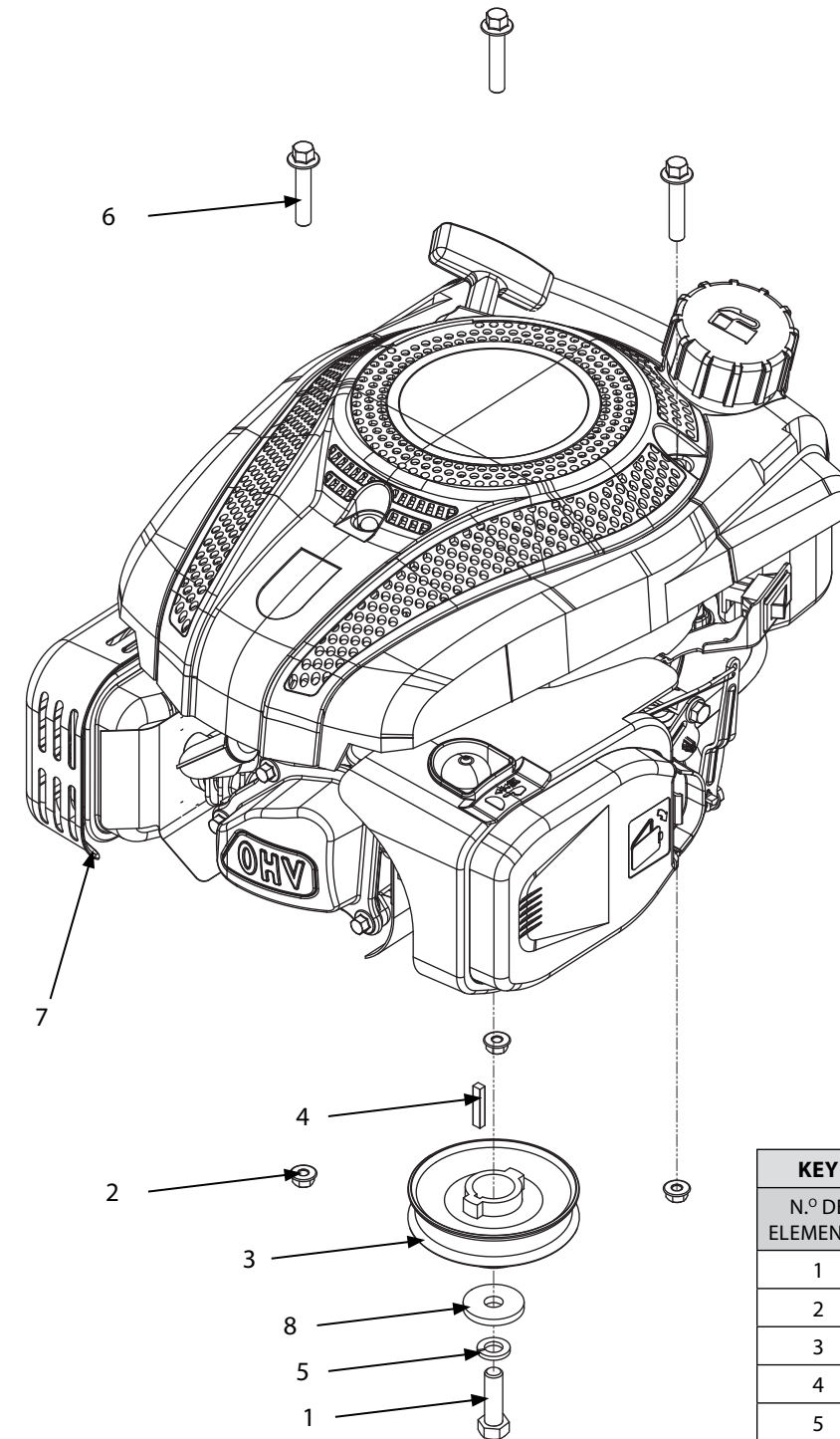
ILLUSTRATED PARTS BREAKDOWN: Handlebar Assembly



KEY	PART #	DESCRIPTION	QTY.
N.º DE ELEMENTO	N.º DE PIEZA	DESCRIPCIÓN	CANT.
1	106	ZIP TIE 5.75 IN	3
2	16360	WASHER M3	8
3	16397	SCREW M3-10	8
4	17526	UPPER HANDLEBAR	1
5	17527	CABLE	1
6	17528	ENGAGEMENT LEVER	1
7	19912	HANDLE PIVOT	4
8	19941	LOWER HANDLEBAR	1

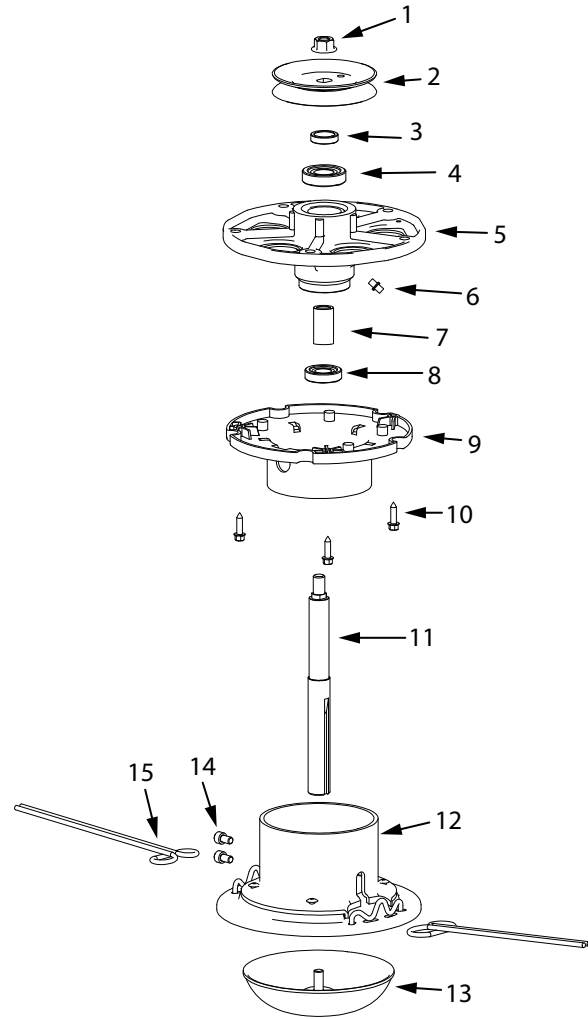
KEY	PART #	DESCRIPTION	QTY.
N.º DE ELEMENTO	N.º DE PIEZA	DESCRIPCIÓN	CANT.
9	19945	BOLT M8 X 20	4
10	27683	HANDLEBAR BRACE	2
11	27800	BOLT M8 X 65	2
12	28354	KNOB	2
13	64132	NUT M8	4

ILLUSTRATED PARTS BREAKDOWN: Engine and Pulley Assembly



KEY	PART #	DESCRIPTION	QTY.
N.º DE ELEMENTO	N.º DE PIEZA	DESCRIPCIÓN	CANT.
1	1426	BOLT 3/8-16 X 1-1/4	1
2	16400	NUT M8	3
3	29610	ENGINE PULLEY	1
4	16602	KEY 4M X 5M	1
5	1916965	WASHER 3/8 IN	1
6	19922	BOLT M8 X 40	3
7	27787	ENGINE 150CC RV150	1
8	331040	WASHER M10	1

ILLUSTRATED PARTS BREAKDOWN: Mower Head



KEY	PART #	DESCRIPTION	QTY.
N.º DE ELEMENTO	N.º DE PIEZA	DESCRIPCIÓN	CANT.
1	16903	NUT M10	1
2	16595	PULLEY	1
3	19925	SPACER M17.5 X 23.5 X 6	1
4	19966	BEARING 17 X 40 X 12 MM	1
5	16317	JACKSHAFT HOUSING	1
6	16598	GREASE FITTING M6 X 1.0	1
7	19960	JACKSHAFT SPACER	1
8	19959	BEARING 17 X 35 X 10 MM	1
9	16337	WEED WRAP GUARD	1
10	16779	BOLT M5 X 20	3
11	19928	JACKSHAFT	1
12	19924	CUTTER HEAD	1
13	19923	BUMP HEAD	1
14	19919	BOLT M6 X 10	2
15	21884	LINE 0.155 INCH	1

ILLUSTRATED PARTS BREAKDOWN: Base Unit

