

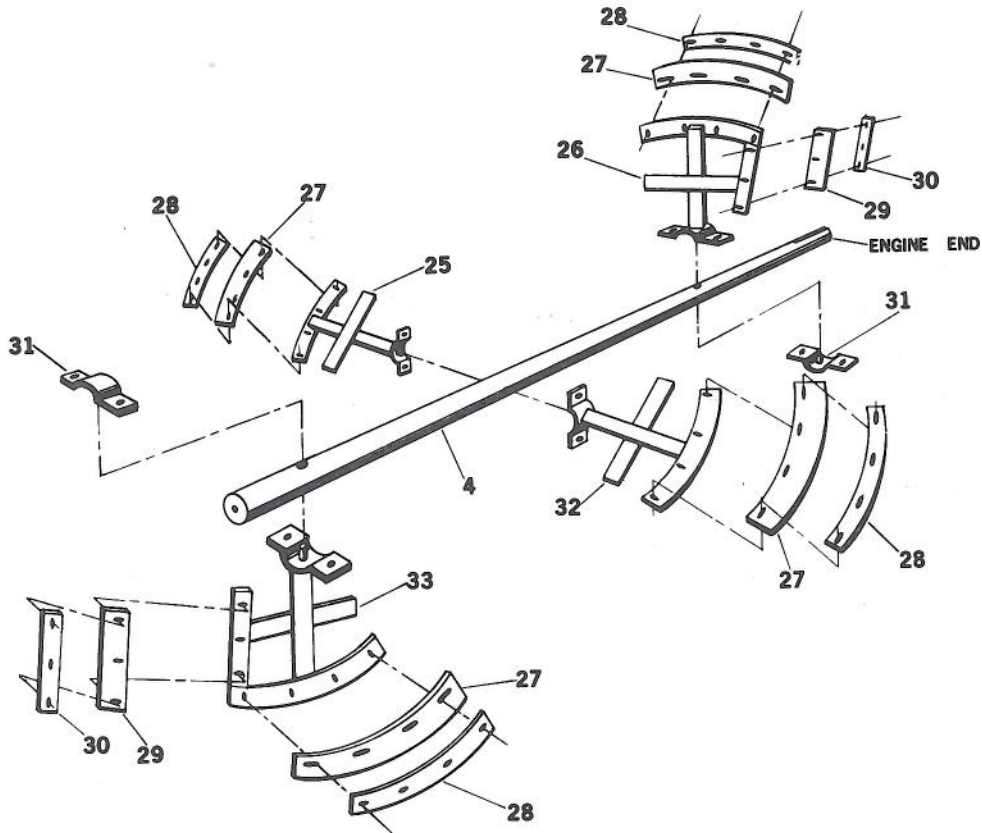
## FRAME AND DRUM ASSEMBLY

| ITEM | DESCRIPTION        | QTY | 601PM                  | 801PM       |
|------|--------------------|-----|------------------------|-------------|
|      |                    |     | PART NO.               | PART NO.    |
| 1    | Frame              | 1   | 24204                  | 26602       |
| 2    | Cowl - rear        | 1   | 24018                  | 24018       |
| 3    | Cowl - front       | 1   | 27574                  | 27574       |
| 5    | Trunnion Housing   | 2   | 24021                  | 24021       |
| 6    | Grease Fitting     | 4   | 46042                  | 46042       |
| 7    | Grease Fitting Cap | 4   | 47001                  | 47001       |
| 8    | Bearing            | 2   | 32003                  | 32003       |
| 9    | Double Spacer      | 2   | 26230                  | 26230       |
| 10   | Seal               | 6   | 24022                  | 24022       |
| 11   | Single Spacer      | 6   | 24017                  | 24017       |
| 12   | Drum               | 1   | 24202                  | 24203       |
| 13   | Dump Handle        | 1   | 24406                  | 24406       |
| 14   | Hand Grip          | 1   | 47000                  | 47000       |
| 15   | Guard Lifter       | 1   | 24126                  | 24126       |
| 16   | Guard              | 1   | 24208                  | 24211       |
| 17   | Tow Pole           | 1   | 26096                  | 26096       |
| 18   | Drum Latch Spacer  | 1   | <del>24027</del> 26229 | 26229       |
| 19   | Drum Latch         | 1   | 26228                  | 26228       |
| 20   | Inner Seal         | 2   | 26279                  | 26279       |
| 21   | Safety Chain Kit   | 1   | *                      | 21757 21653 |

\*Safety Chain Kit available only on 601PM with optional towing package

**NOTE:** If your mixer has a WELDED ON bearing housing you must purchase this bearing kit version: ST22153  
The ST23432 featured here is for the BOLT on version ONLY.

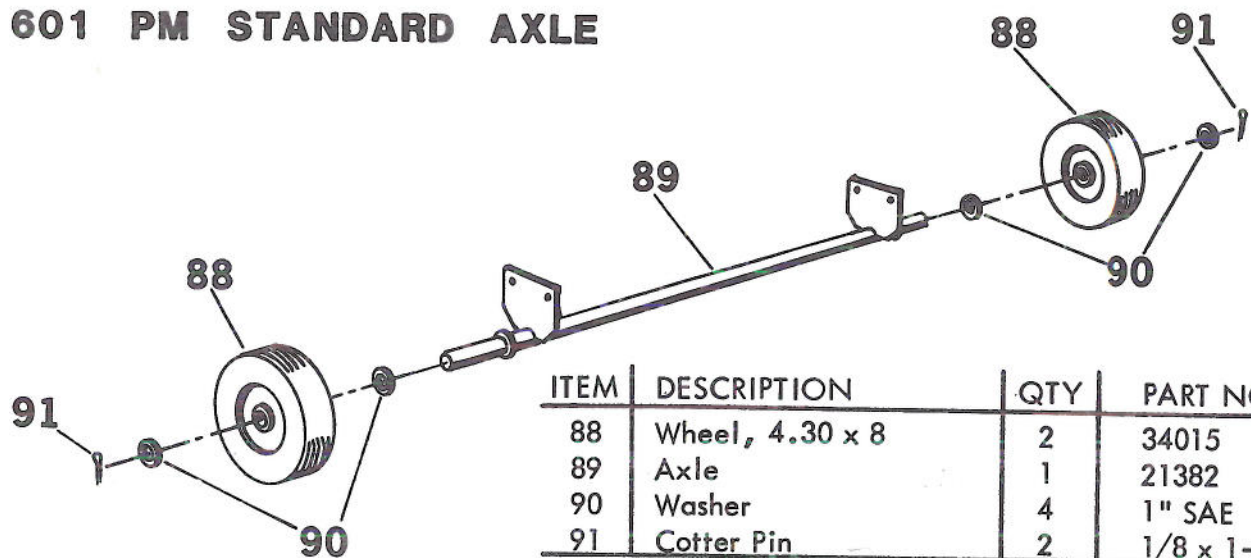
# 601 PM PADDLE ASSEMBLY



| ITEM | DESCRIPTION            | QTY | PART NO. |
|------|------------------------|-----|----------|
| 4    | Paddle Shaft           | 1   | 24205    |
| 25   | Paddle - E.E.C.        | 1   | 24221    |
| 26   | Paddle - E.E.          | 1   | 24222    |
| 27   | Blade, rubber - center | 4   | 24106*   |
| 27   | Blade, steel - center  | 4   | 24109*   |
| 28   | Backer - center        | 4   | 24104*   |
| 29   | Blade, rubber - end    | 2   | 24033*   |
| 29   | Blade, steel - end     | 2   | 24073*   |
| 30   | Backer - end           | 2   | 24031*   |
| 31   | Paddle Clamp           | 2   | 24107    |
| 32   | Paddle - T.P.C.        | 1   | 24220    |
| 33   | Paddle - T.P.E.        | 1   | 24219    |
|      | Blade Set - rubber     | 1   | 21047    |
|      | Blade Set - steel      | 1   | 21065    |
|      | Backer Set             | 1   | 21048    |
|      | Paddle Assembly        | 1   | 21199    |

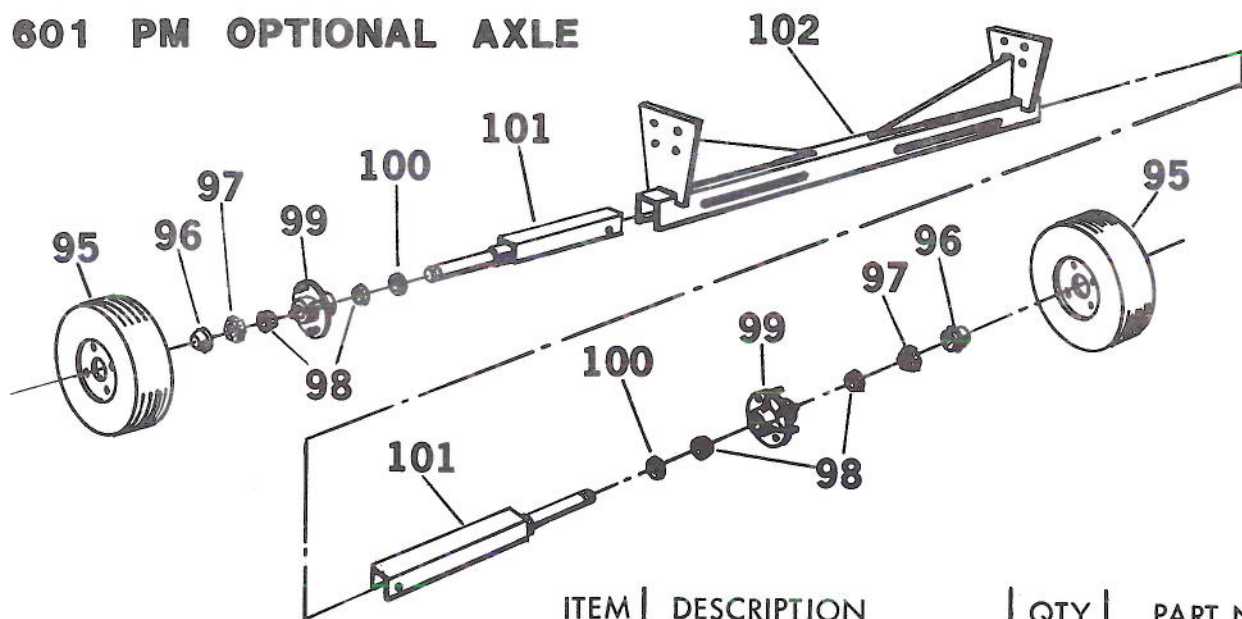
\*For convenience, order blades and backers in sets.

### 601 PM STANDARD AXLE



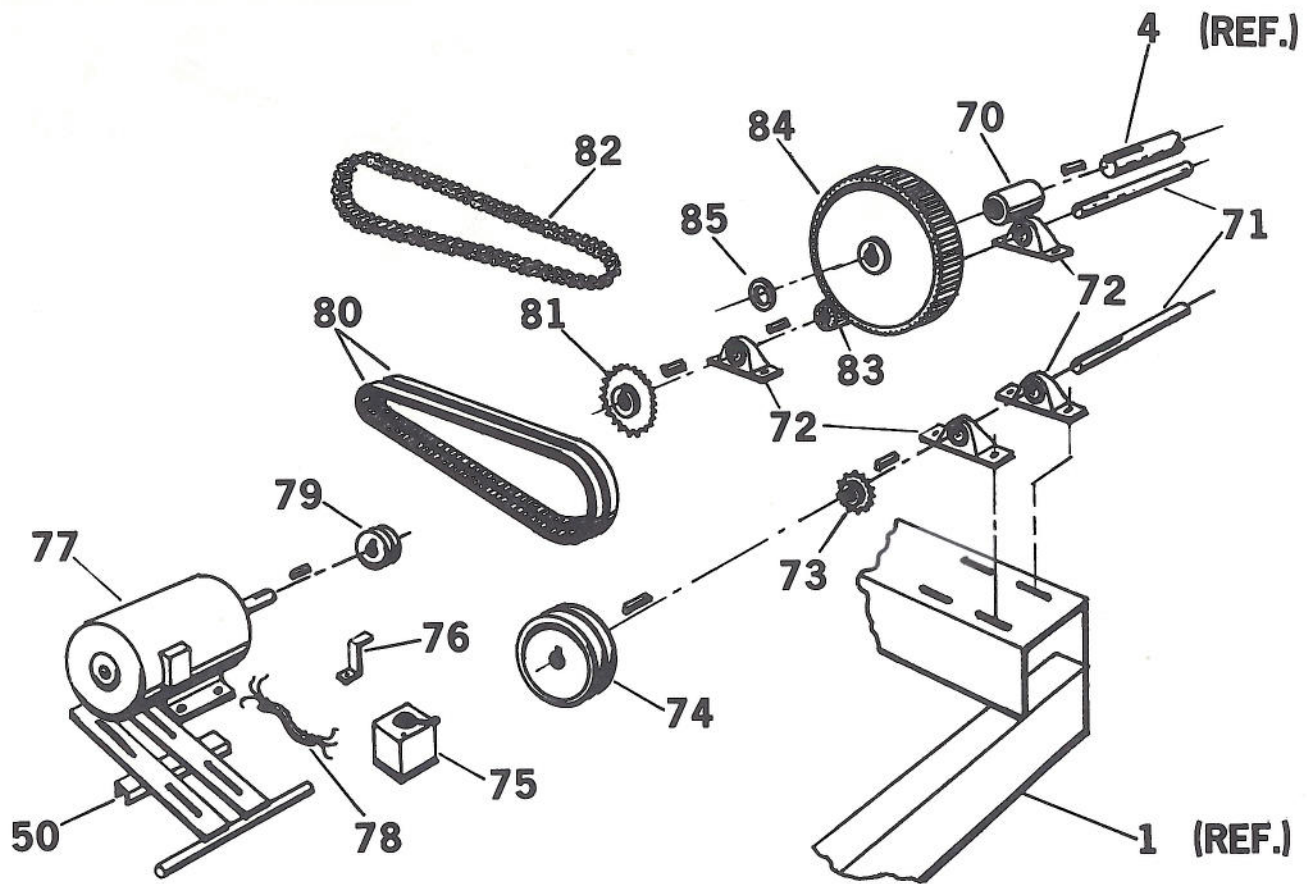
| ITEM | DESCRIPTION     | QTY | PART NO.    |
|------|-----------------|-----|-------------|
| 88   | Wheel, 4.30 x 8 | 2   | 34015       |
| 89   | Axle            | 1   | 21382       |
| 90   | Washer          | 4   | 1" SAE      |
| 91   | Cotter Pin      | 2   | 1/8 x 1-1/2 |

### 601 PM OPTIONAL AXLE



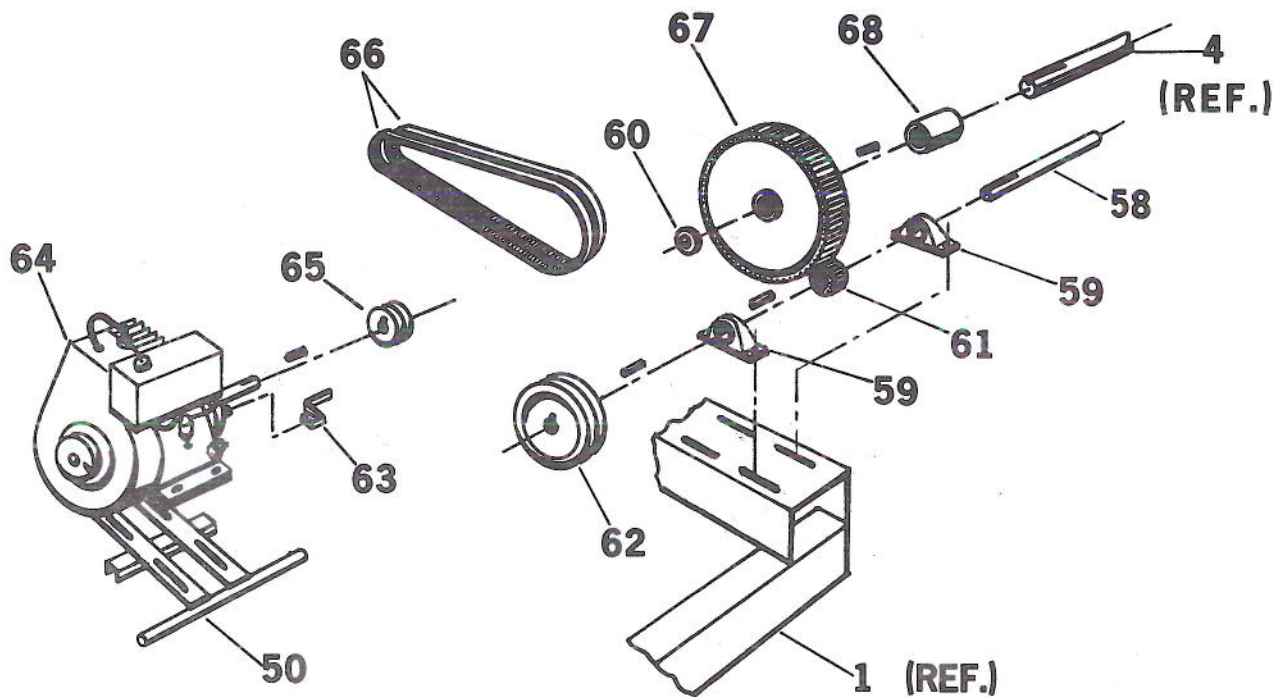
| ITEM | DESCRIPTION           | QTY | PART NO.    |
|------|-----------------------|-----|-------------|
| 95   | Tire & Rim (4.80 x 8) | 2   | 34605       |
| 96   | Dust Cap              | 2   | 34573       |
| 97   | Castellated Nut       | 2   | -           |
| 98   | Bearing               | 4   | 32051       |
| 99   | Hub                   | 2   | 34501       |
| 100  | Wheel Seal            | 2   | 32052       |
| 101  | Half Axle Assembly    | 2   | 26061 27543 |
| 102  | Axle Support Assembly | 1   | 27542       |
|      | Complete Assembly     | 1   | 21322       |

# 601,801 PM POWER TRAIN, ELECTRIC



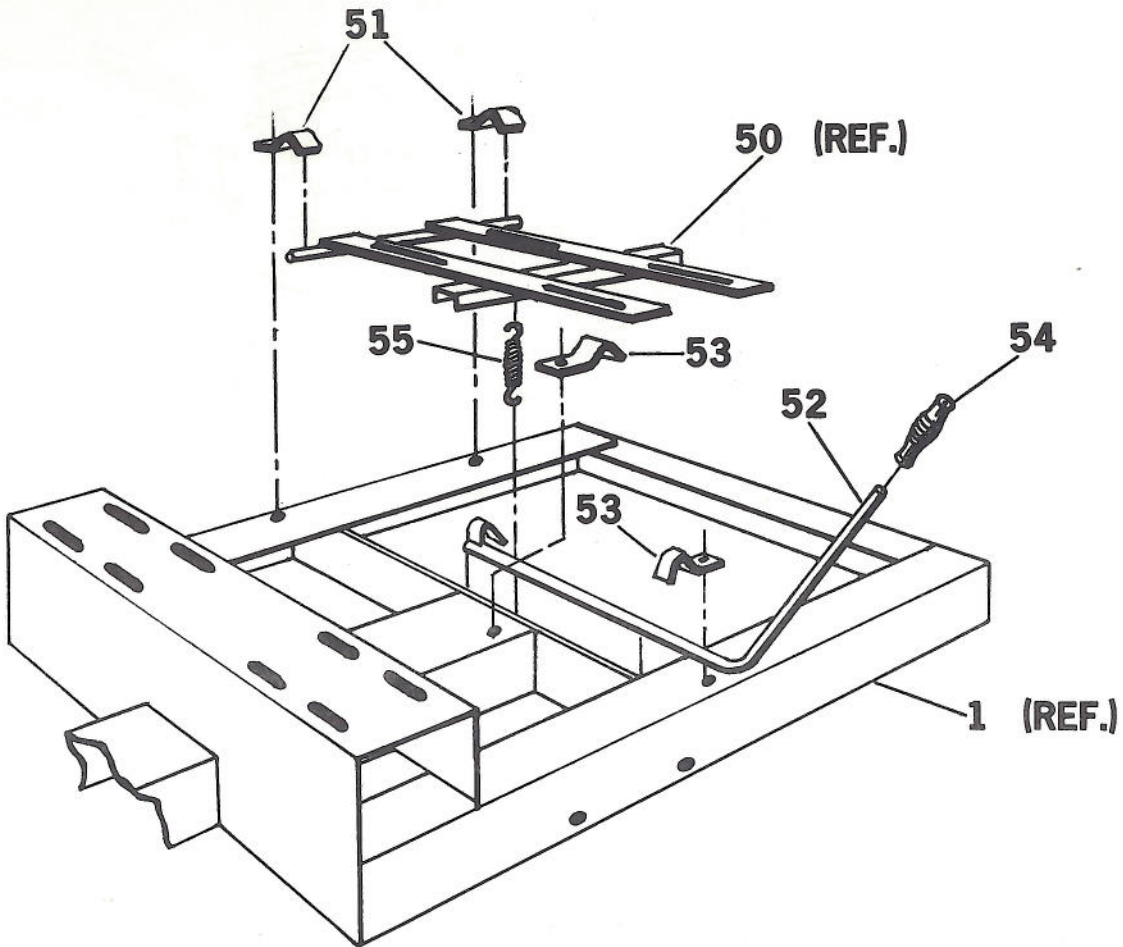
| ITEM | DESCRIPTION          | QTY | 601PM   | 801PM |
|------|----------------------|-----|---------|-------|
|      |                      |     | 1.5 hp. | 2 hp. |
| 50   | Motor Base           | 1   | 27568   | 27568 |
| 70   | Spacer               | 1   | 24048   | 24048 |
| 71   | Countershaft         | 2   | 24036   | 24036 |
| 72   | Pillow Block Brg     | 4   | 32097   | 32097 |
| 73   | Sprocket (small)     | 1   | 34126   | 34126 |
| 74   | Sheave (large)       | 1   | 34056   | 34056 |
| 75   | Switch, dual voltage | 1   | 36017   | 30136 |
| 76   | Belt Guide           | 1   | 26199   | 26199 |
| 77   | Electric Motor       | 1   | 30009   | 30053 |
| 78   | Pigtail              | 1   | 48016   | 48016 |
| 79   | Sheave (small)       | 1   | 34068   | 34068 |
| 80   | Belt                 | 2   | 34159   | 34159 |
| 81   | Sprocket (large)     | 1   | 34127   | 34127 |
| 82   | Chain, RC50          | 1   | 21184   | 21184 |
| 83   | Pinion               | 1   | 26881   | 26881 |
| 84   | Bull Gear            | 1   | 26933   | 26933 |
| 85   | Shaft Washer         | 2   | 26326   | 26326 |

# 801,801 PM POWER TRAIN, GAS ENGINE



| ITEM | DESCRIPTION      | QTY | PART NO. |               |        |         |       |
|------|------------------|-----|----------|---------------|--------|---------|-------|
|      |                  |     | 601PM    | 601PM & 801PM |        | 801PM   |       |
|      |                  |     | 5 hp.    | 8 hp.         | 7 hp.  | 7.5 hp. | 7 hp. |
|      |                  |     | B & S    | B & S         | Kohler | Robin   | Wisc. |
| 50   | Motor Base       | 1   | 27566    | 27563         | 27565  | 27567   | 27564 |
| 58   | Countershaft     | 1   | 24036    | 24036         | 24036  | 24036   | 24036 |
| 59   | Pillow Block Brg | 2   | 32097    | 32097         | 32097  | 32097   | 32097 |
| 60   | Shaft Washer     | 2   | 26326    | 26326         | 26326  | 26326   | 26326 |
| 61   | Pinion           | 1   | 26881    | 26881         | 26881  | 26881   | 26881 |
| 62   | Sheave (large)   | 1   | 34056    | 34056         | 34056  | 34056   | 34056 |
| 63   | Belt Guide       | 1   | 26199    | 26199         | 26199  | 26199   | 26199 |
| 64   | Engine           | 1   | 30025    | 30005         | 30085  | 30116   | 30028 |
| 65   | Sheave (small)   | 1   | 34521    | 34051         | 34051  | 34051   | 34050 |
| 66   | V-Belt           | 2   | 34812    | 34014         | 34014  | 34014   | 34052 |
| 67   | Bull Gear        | 1   | 26933    | 26933         | 26933  | 26933   | 26933 |
| 68   | Spacer           | 1   | 24048    | 24048         | 24048  | 24048   | 24048 |

# 601,801 PM CLUTCH & MOTOR BASE ASSEMBLY



| ITEM | DESCRIPTION               | QTY | PART NO.                     |
|------|---------------------------|-----|------------------------------|
| 50   | Motor Base                | 1   |                              |
| 51   | Motor Base Mtg. Bracket   | 2   | 27571                        |
| 52   | Hand Clutch Lever         | 1   | <del>27570</del> 27786 } ECN |
| 53   | Hand Clutch Lever Bracket | 2   | <del>27559</del> 27787 } 798 |
| 54   | Hand Grip                 | 1   | 34687                        |
| 55   | Extension Spring          | 1   | 34849                        |