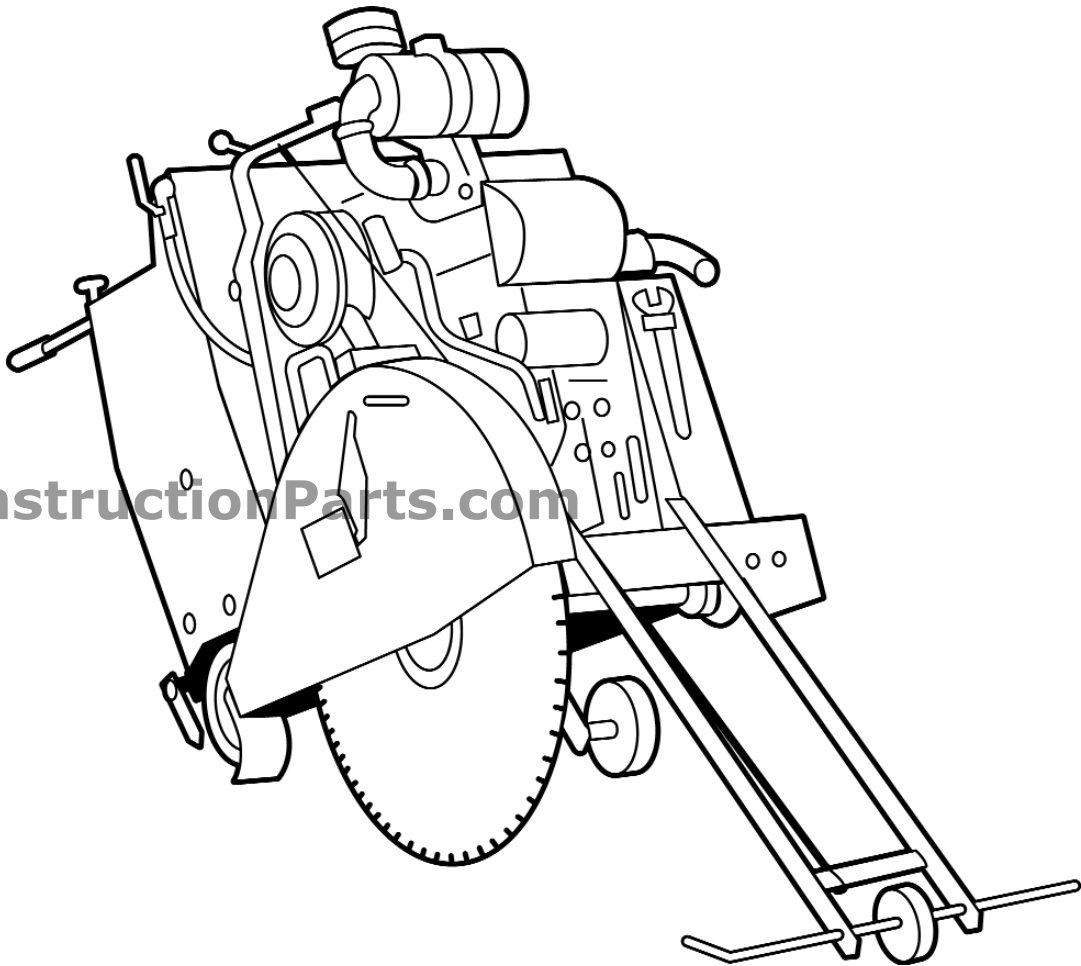
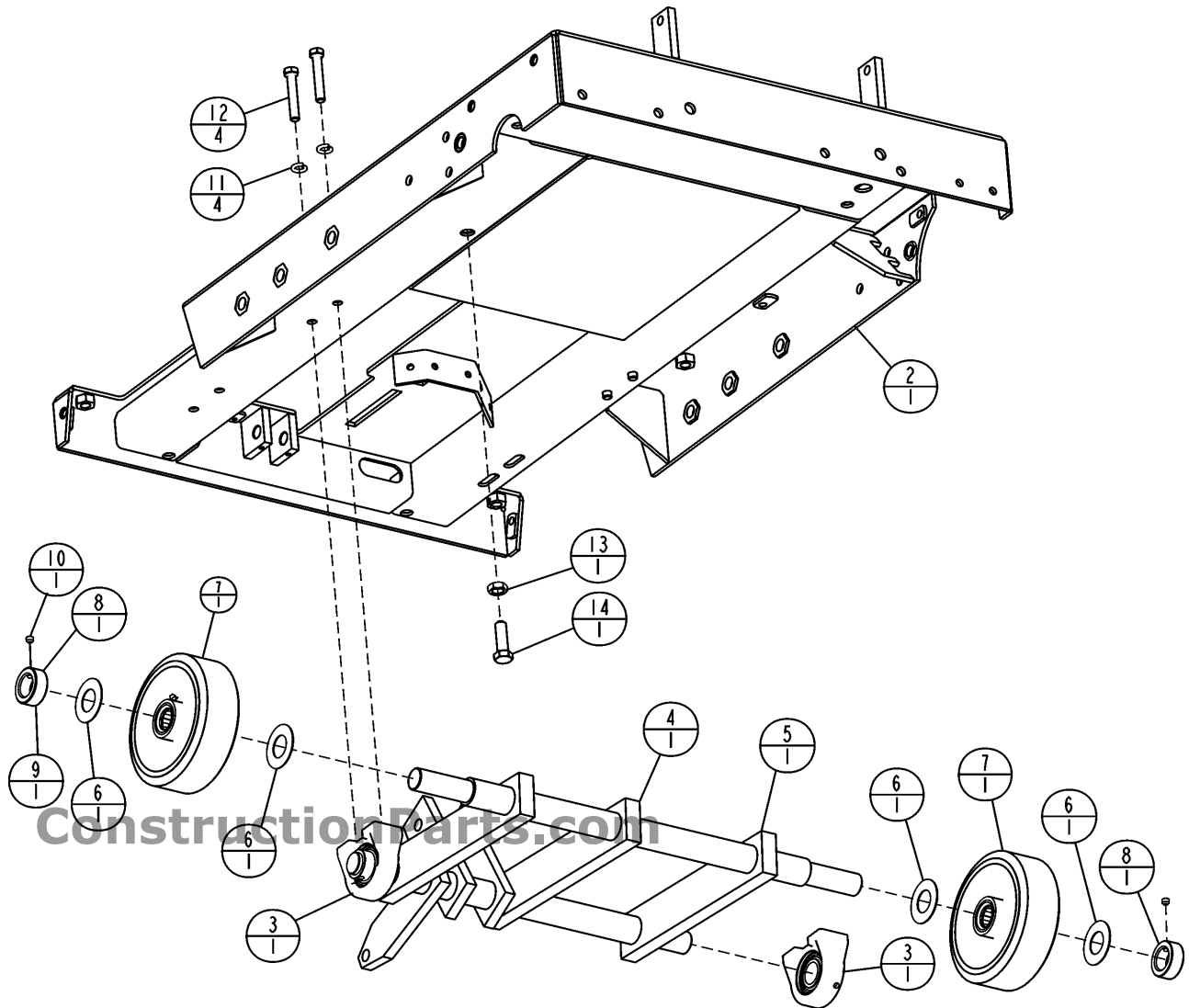


**FS3100D Diesel**



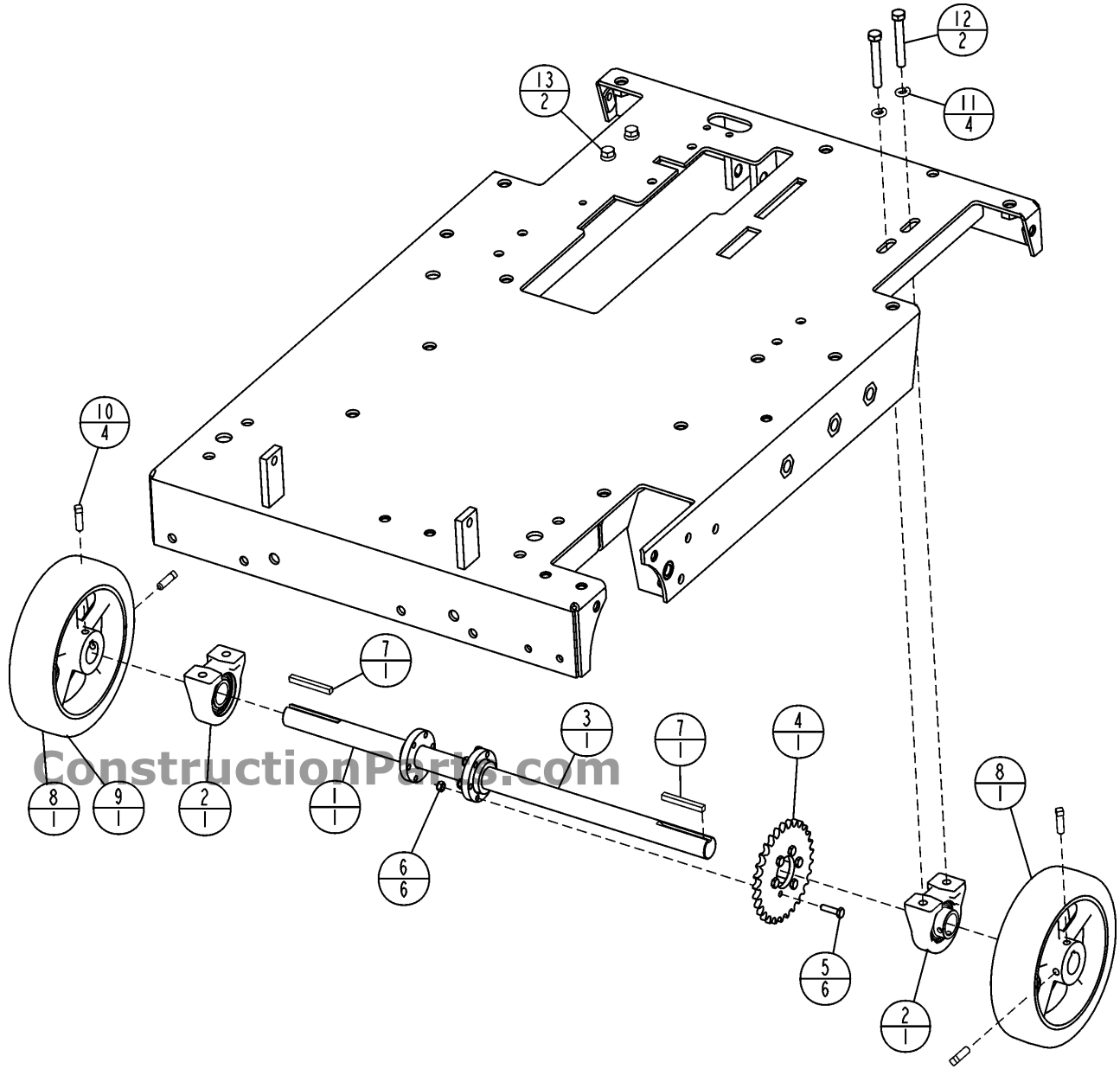
ConstructionParts.com

Diagram 1 - Chassis Assembly, Front Axle Assembly  
 Diagrama 1 - Ensamblaje de chasis, Conjunto de eje frontal



Diag Loc.	Part No.	Description	Qty. Req.
--	198461	Chassis Assy (complete)	1
2	198459	Frame Weldment	1
3	045241	Bearing, Pillow Block 1.0 Dia Bore	2
4	166041	Front Axle Assy (Incl. Items 5-10)	1
5	163969	Front Axle Weldment	1
6	046402	Washer, Flat 1.031 ID x 2.00 OD x .048 Thk	4
7	191716	Wheel, 6 Inch Dia x 2 Wide w/ Ball Bearing	2
7a	191714	Ball Bearing	1
8	048078	Set Collar Assembly, 1 ID (Incl. Items 9 & 10)	2
9	043260	Set Collar, 1 ID	1
10	020551	Screw, Set Soc Cup Pt .312-18UNC x .25	1
11	020786	Lockwasher, Split .375 Dia	4
12	020365	Capscrew, Hex Hd .375-16UNC x 2.25	4
13	173010	Nut, Low Hex M12 x 1.75 (7mm Tall)	1
14	172306	Capscrew, Hex Hd M12 x 1.175 x 40mm	1

Diagram 2 - Rear Axle Assembly  
 Diagrama 2 - Conjunto de eje trasero 888-634-4289



Diag Loc.	Part No.	Description	Qty. Req.
1	183992	Rear Axle Assy, (Incl. Items 2-10)	1
2	045241	Bearing, Pillow Block 1.0 Dia Bore	2
3	183987	Axle, Rear Weldment	1
4	183320	Drive Sprocket, 29 Tooth #40	1
5	139740	Capscrew, Hex Hd M6 x 1.0 x 25mm	6
6	139745	Locknut, Fiber M6 x 1.0	6
7	020071	Key, Square .250 x 2.25 Lg	2
8	166017	Wheel Assembly (w/ Set Screws) (Incl. Items 9 & 10)	2
9	045090	Wheel, 8 Inch Dia x 2 Wide	1
10	020531	Screw, Set Sq Hd .312-18UNC x 1.00	4
11	020786	Lockwasher, Split .375 Dia	4
12	020437	Capscrew, Hex Hd .375-16UNC x 2.50	2
13	020365	Capscrew, Hex Hd .375-16UNC x 2.25	2

Diagram 3 - Chassis Group  
Diagrama 3 - Grupo de chasis 888-634-4289

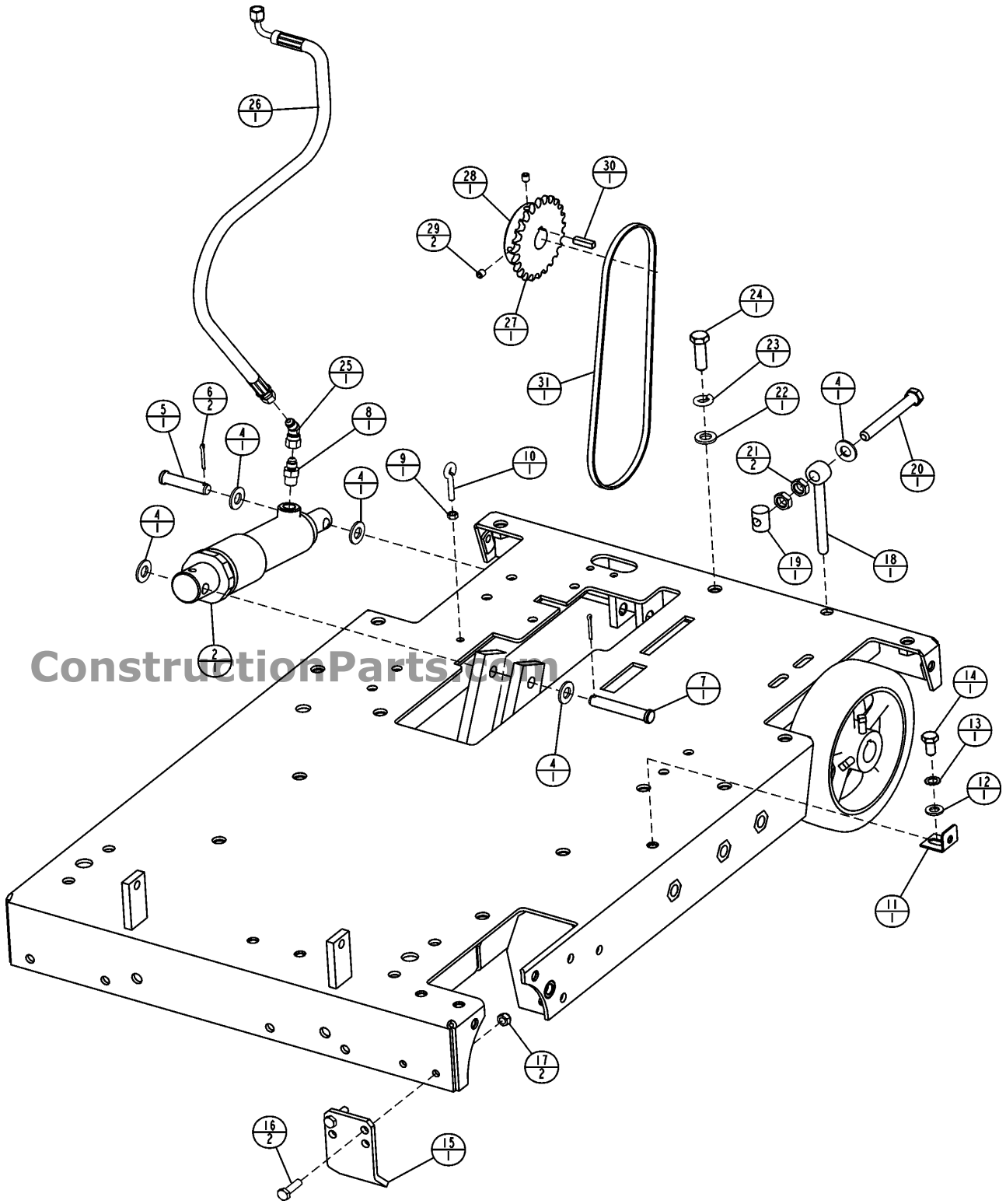
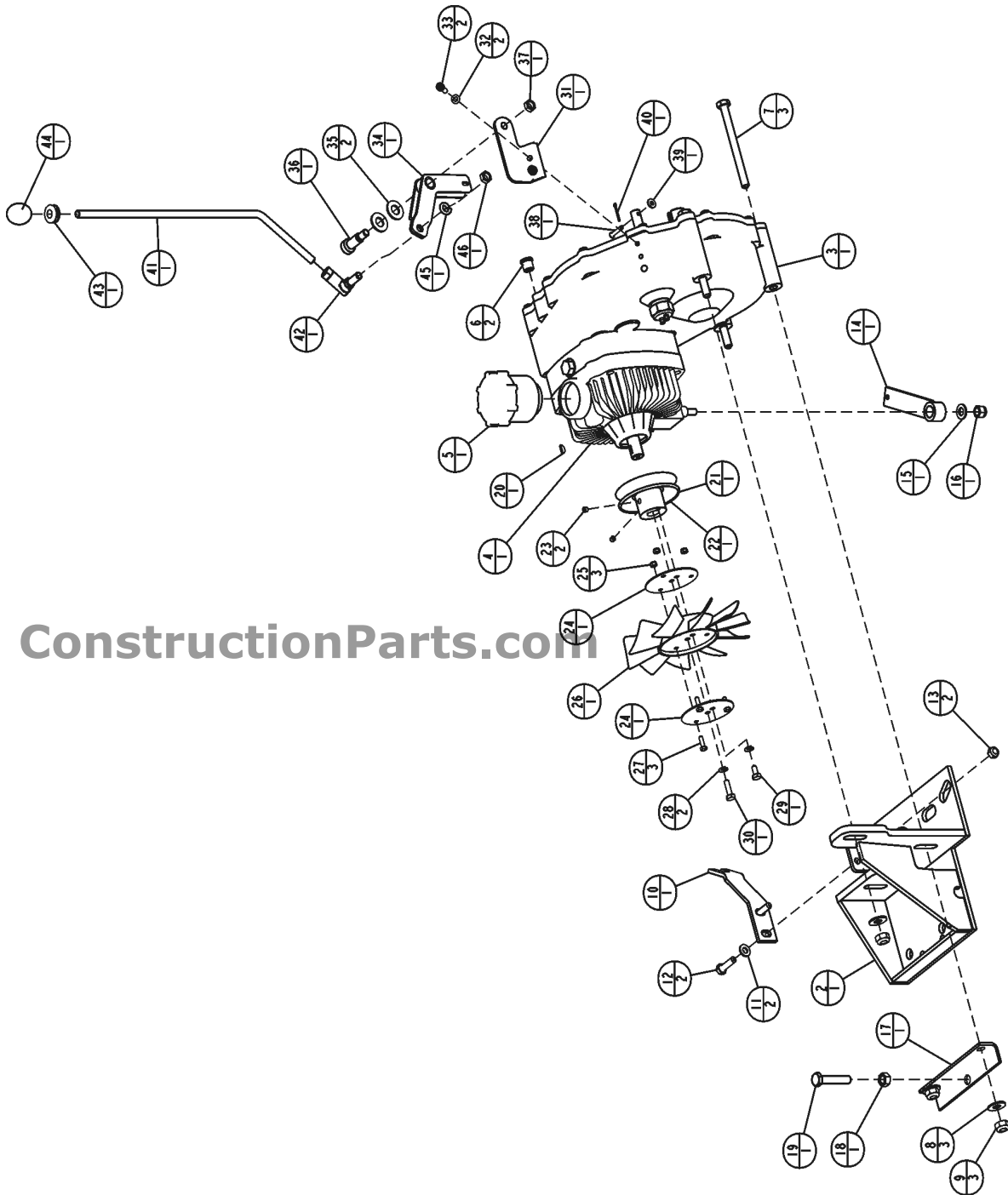


Diagram 3 - Chassis Group  
 Diagrama 3 - Grupo de chasis 888-634-4289

Diag Loc.	Part No.	Description	Qty. Req.
—	198458	Chassis Group (Complete)	1
2	176604	Hydraulic Cylinder	1
2a	198281	Cylinder w/ Valve (for CE certified saws only)	1
2b	198243	Cylinder	1
2c	198282	Valve	1
4	020766	Washer, Flat .500 SAE	5
5	176699	Pin, Clevis .50 Dia x 2.25 Lg	1
6	020614	Pin, Cotter .125 x 1.00	2
7	176700	Pin, Clevis .50 Dia x 3.00 Lg	1
8	15700938	Fitting, Connector #4 Tube x 1.4 NPT	1
9	172017	Nut, Hex Hd M6 x 1.00	1
10	167449	Eyebolt, M6 x 50mm	1
11	167433	Bracket, Guard Mounting (Metric)	1
12	173014	Washer, Flat M10	1
13	173006	Lockwasher, External Tooth, M10	1
14	139744	Capscrew, Hex Hd M10 x 1.50 x 20mm	1
15	198462	Belt Protector	1
16	139753	Capscrew, Hex Hd M8 x 1.25 x 30mm	2
17	139738	Locknut, Fiber M8 x 1.25	2
18	163132	Guide Pen	1
19	167720	Guide Swivel, M12 x 1.75	1
20	167439	Capscrew, Hex Hd M12 x 1.75 x 100mm	1
21	173010	Nut, Low Hex M12 x 1.75 x 100mm	2
22	173042	Washer, Flat M12	1
23	020788	Lockwasher, Split .500 Dia	1
24	172306	Capscrew, Hex Hd M12 x 1.75 x 40mm	1
25	165744	Fitting, 45 degree Elbow #4 Swivel Nut	1
26	166643	Hose Assy, Depth Stop Cylinder	1
27	176725	Sprocket Assy, 24 Teeth (Incl. Items 28 & 29)	1
28	176605	Sprocket, 24 Teeth	1
29	020550	Screw, Set Soc Cup Pt .312-18UNC x .375	2
30	020082	Key, Square .250 x 1.00 Lg	1
31	176703	Chain, #40 Roller	1

Diagram 4 - Transmission Group, Diesel  
Diagrama 4 - Grupo de transmisión 888-634-4289



ConstructionParts.com

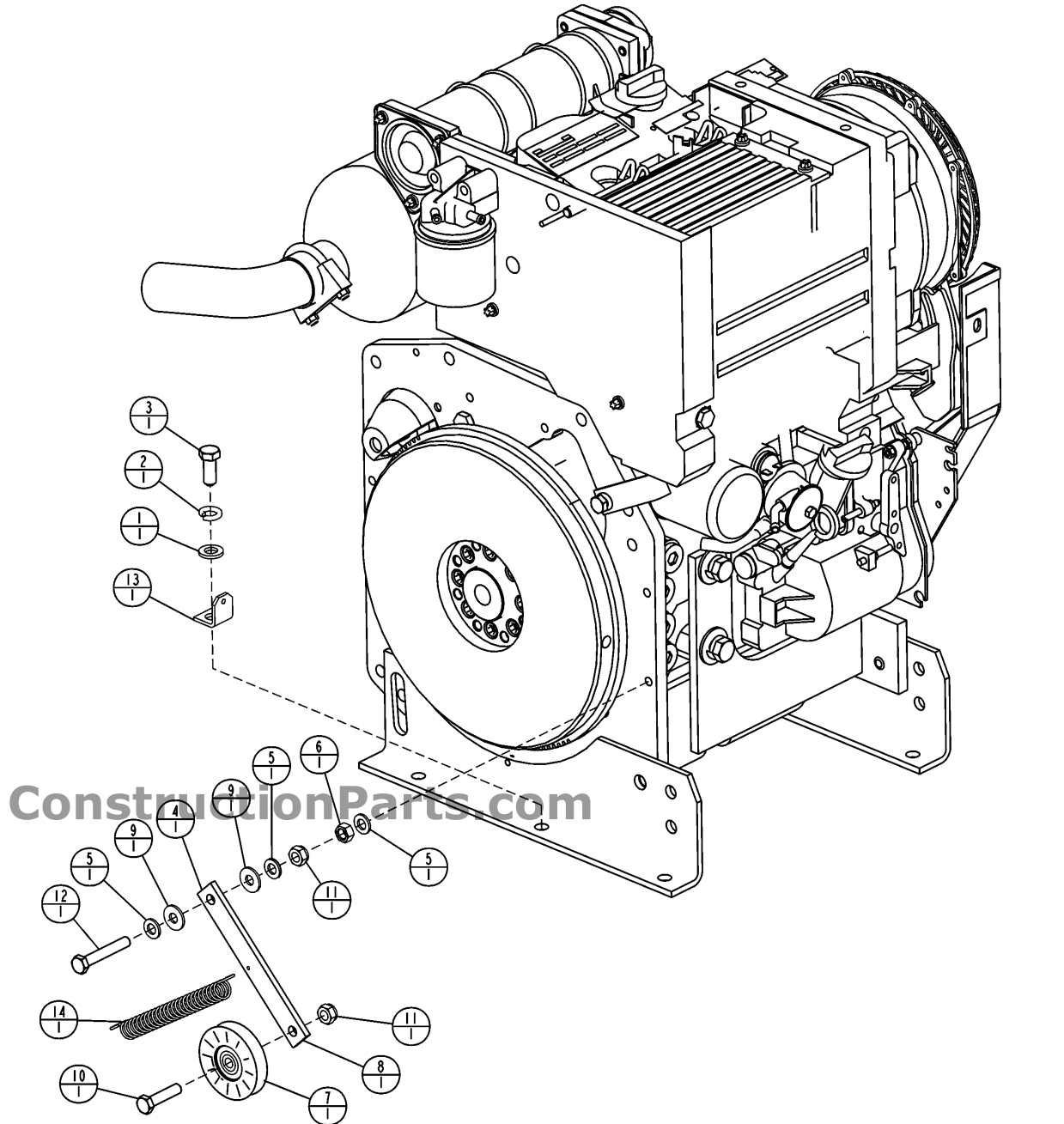
ConstructionParts.com

888-634-4289

Diagram 4 - Transmission Group  
 Diagrama 4 - Grupo de transmisión **888-634-4289**

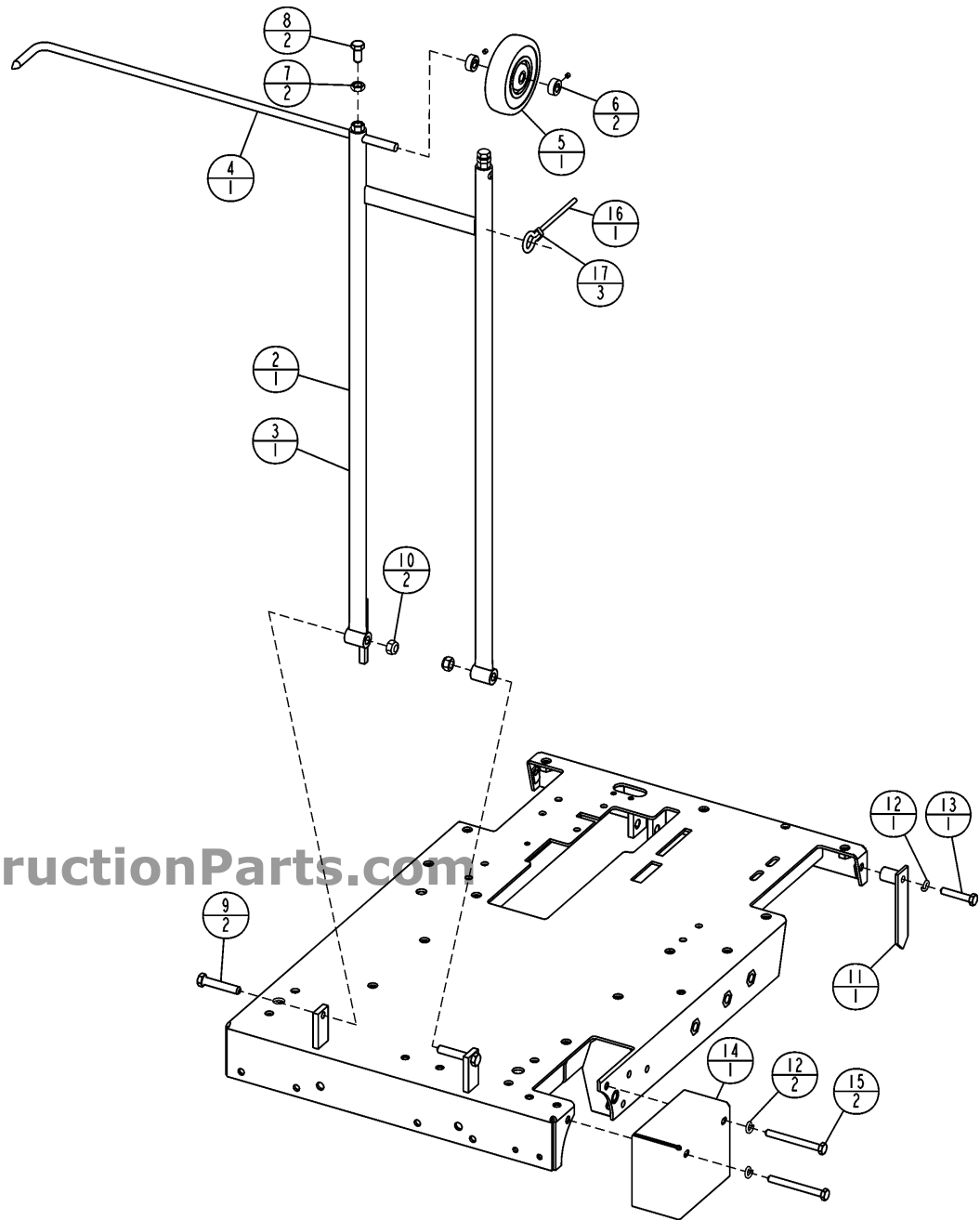
Diag Loc.	Part No.	Description	Qty. Req.
---	181380	Transmission Group, Complete	1
2	176516	Gearbox Mtg Bracket Weldment	1
3	166553	Single Speed Gearbox Assy (Incl. Items 4 & 5)	1
4	046131	Transmission, Hydrostatic, Eaton (Incl. Item 5)	1
5	048326	Oil Reservoir w/ Cap and O-Ring.	1
6	15700950	Plug, Hex Hd #6 SAE	2
7	176668	Capscrew, Hex Hd M10 x 1.50 x 120mm	3
8	020743	Washer, Flat .375 Dia	3
9	139748	Locknut, Fiber M10 x 1.50	1
10	176531	Cable Bracket	2
11	173059	Washer, Flat M8	2
12	139753	Capscrew, Hex Hd M8 x 1.25 x 30mm	2
13	139738	Locknut, Fiber M8 x 1.25	1
14	176533	Speed Control Arm	1
15	173014	Washer, Flat M10	1
16	020199	Locknut, Fiber .375-16UNC	1
17	176523	Tensioning Bracket	1
18	139750	Nut, Hex Hd M10 x 1.50	1
19	164968	Capscrew, Hex Hd M10 x 1.50 x 50mm	1
20	020085	Key, Woodruff #404 (Flat Bottom)	1
21	176718	Transmission Pulley Assembly (Incl. Items 22 & 23)	1
22	176535	Transmission Pulley	1
23	020540	Screw, Set Soc Cup Pt .250-20UNC x .25	2
24	163040	Fan Attachment Plate	2
25	172316	Locknut, Fiber M5 x 0.8	3
26	163105	Plastic Fan Blade	1
27	172315	Capscrew, Hex Hd M5 x 0.8 x 16mm	3
28	020776	Lockwasher, Split .250 Dia (Hi-Collar)	2
29	021423	Capscrew, Hex Hd .250-20UNC x .50	1
30	020381	Capscrew, Hex Hd .250-20UNC x .875	1
31	176525	Shift Pivot Bracket	2
32	163689	Lockwasher, Split M6	2
33	167502	Capscrew, Soc Hd M6 x 1.0 x 20mm	1
34	181362	Link Shifter Assembly, Standard	2
35	020766	Washer, Flat .500 SAE	1
36	139022	Shoulder Bolt, .375-16UNC x .500 Shank x 1.0	1
37	020168	Nut, Jam Hex Hd .375-16UNC	1
38	166601	Pin, Clevis .188 Dia x 1.0	1
39	020739	Washer, Flat #10 SAE	1
40	020612	Pin, Cotter .094 x .75	1
41	181359	Shifter Rod, Std	1
42	166690	Ball Joint, .375-24UNF RH	1
43	181361	Grommet, 7/16ID x 11/16 Dia Hole	1
44	041427	Knob, Black	1
45	020786	Lockwasher, Split .375 Dia	1
46	020171	Nut, Jam Hex Hd .375-24UNF RH	1

Diagram 5 - Accessory Idler Group  
 Diagrama 5 - Grupo de accesorios de piñón



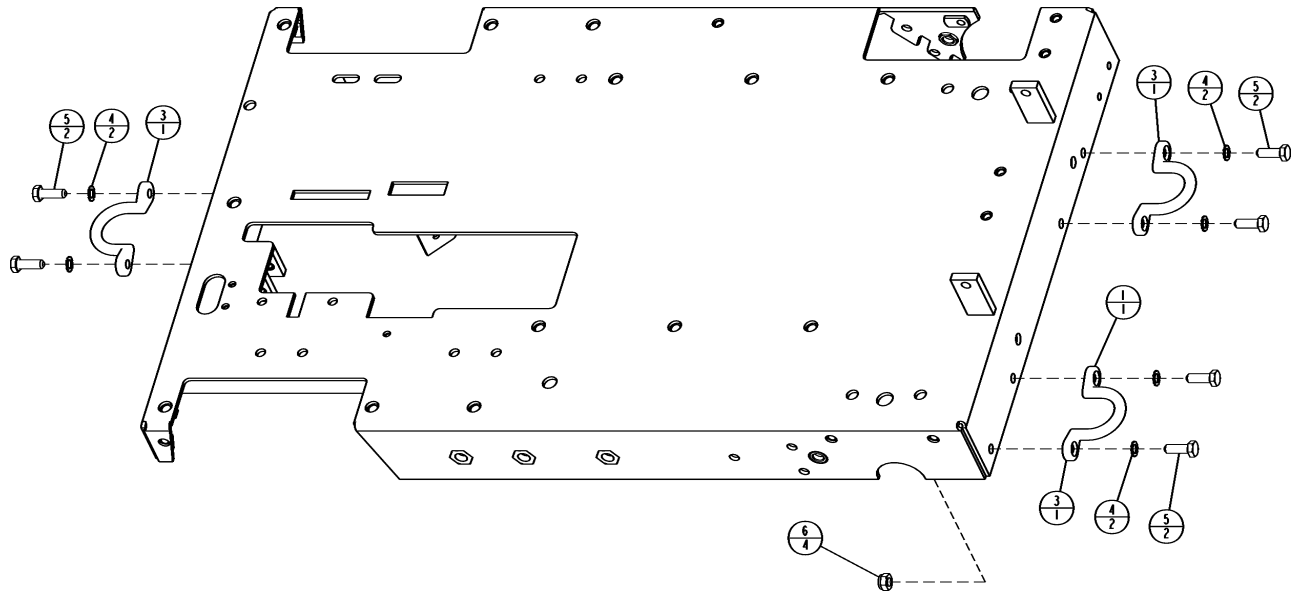
Diag Loc.	Part No.	Description	Qty. Req.
1	173042	Washer, Flat M12	1
2	020788	Lockwasher, Split .500 Dia	1
3	139741	Capscrew, Hex Hd M12 x 1.75 x 30mm	1
4	183818	Accessory Idler Group (Incl. Items 5-14)	1
5	173014	Washer, Flat M10	3
6	139750	Nut, Hex Hd M10 x 1.50	1
7	167764	Pulley Assembly, M10 Bore	1
8	183765	Idler Arm, Deutz 2 Cyl.	1
9	046101	Washer, Fiber 1.0 OD x 13/32 ID x 3/32	2
10	177064	Capscrew, Hex Hd M10 x 1.50 x 45mm	1
11	139748	Locknut, Fiber M10 x 1.50	2
12	167748	Capscrew, Hex Hd M10 x 1.50 x 65mm	1
13	163259	Spring Clip	1
14	139102	Spring, Extension .75 Dia x 4	1

Diagram 6 - Pointer & Sheave Guard  
 Diagrama 6 - Salvaguarda de indicador y polea



Diag Loc.	Part No.	Description	Qty. Req.
—	183804	Pointer Group (Complete)	1
2	167453	Front Pointer Assembly (Incl. Items 3-8)	1
3	167423	Front Pointer Weldment, FS3100D	1
4	160196	Front Pointer Rod	1
5	163582	Wheel, Front Pointer 5 Inch Dia	1
6	060735	Collar, Shaft .5 ID	2
7	173010	Nut, Low Hex M12 x 1.75 (7mm Tall)	2
8	139751	Capscrew, Hex Hd M12 x 1.75 x 25mm	2
9	167431	Capscrew, Hex Hd M12 x 1.75 x 65mm	2
10	139742	Locknut, Fiber M12 x 1.75	2
11	047091	Rear Pointer Weldment	1
12	162004	Lockwasher, Split M10	3
13	164968	Capscrew, Hex Hd M10 x 1.50 x 50mm	1
14	198308	Flange Cover	1
15	139763	Capscrew, Hex Hd M10 x 1.50 x 100mm	2
16	043201	Sash Cord, 1/4 Dia x 10FT	1
17	043203	Clamp, Circle	3

Diagram 7 - Tie Down Kit - Optional  
 Diagrama 7 - Juego de anclaje por debajo Opcional



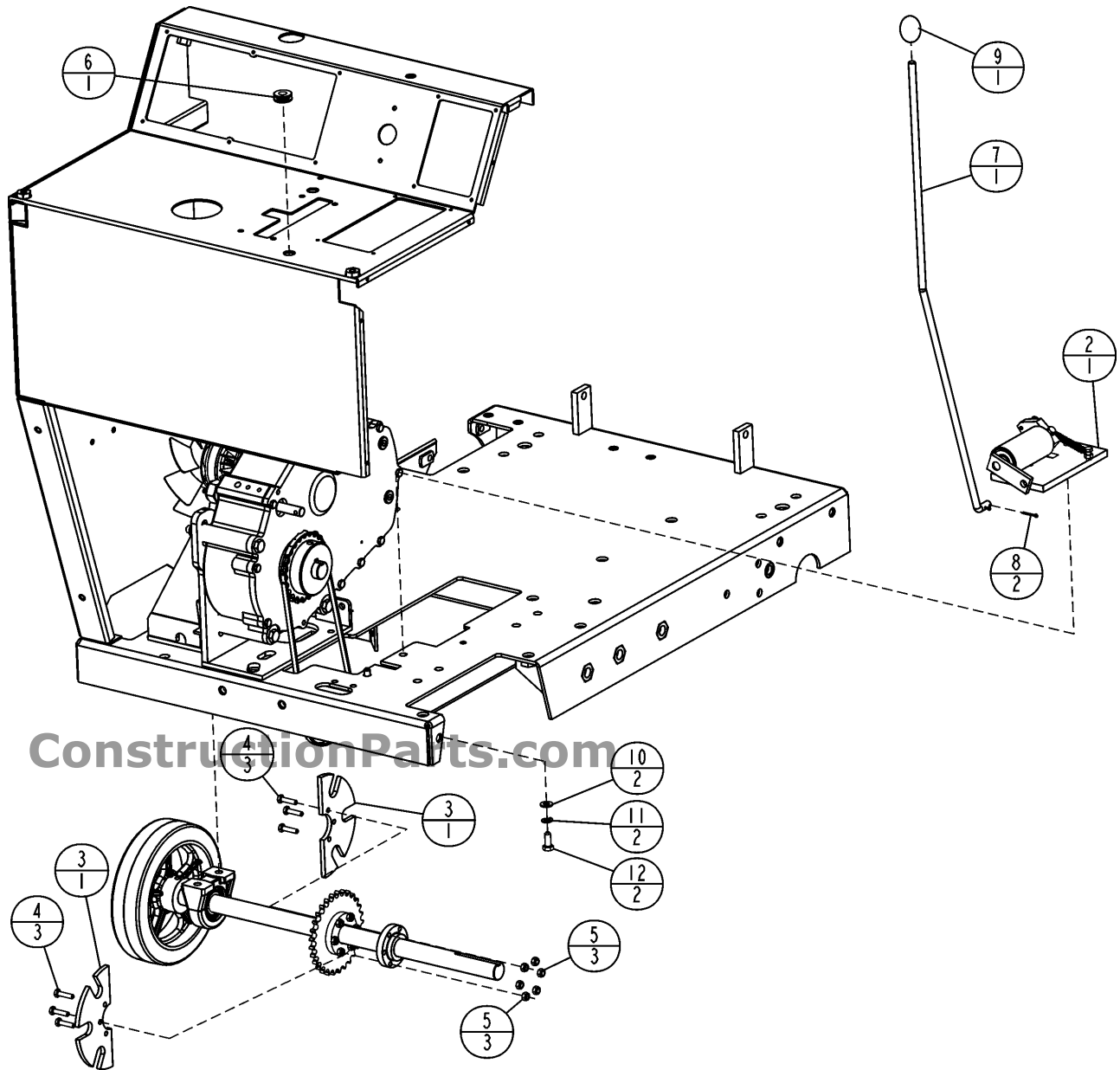
ConstructionParts.com

Diag Loc.	Part No.	Description	Qty. Req.
---	167568	Tie Down Kit (Complete)	1
2	0A7667	Instruction Sheet, Tie Down Kit	1
3	163977	Tie Down Chain Loop	3
4	173006	Lockwasher, External Tooth, M10	6
5	047792	Capscrew, Hex Hd M10 x 1.50 x 30mm	6
6	139748	Locknut, Fiber M10 x 1.50	4

ConstructionParts.com

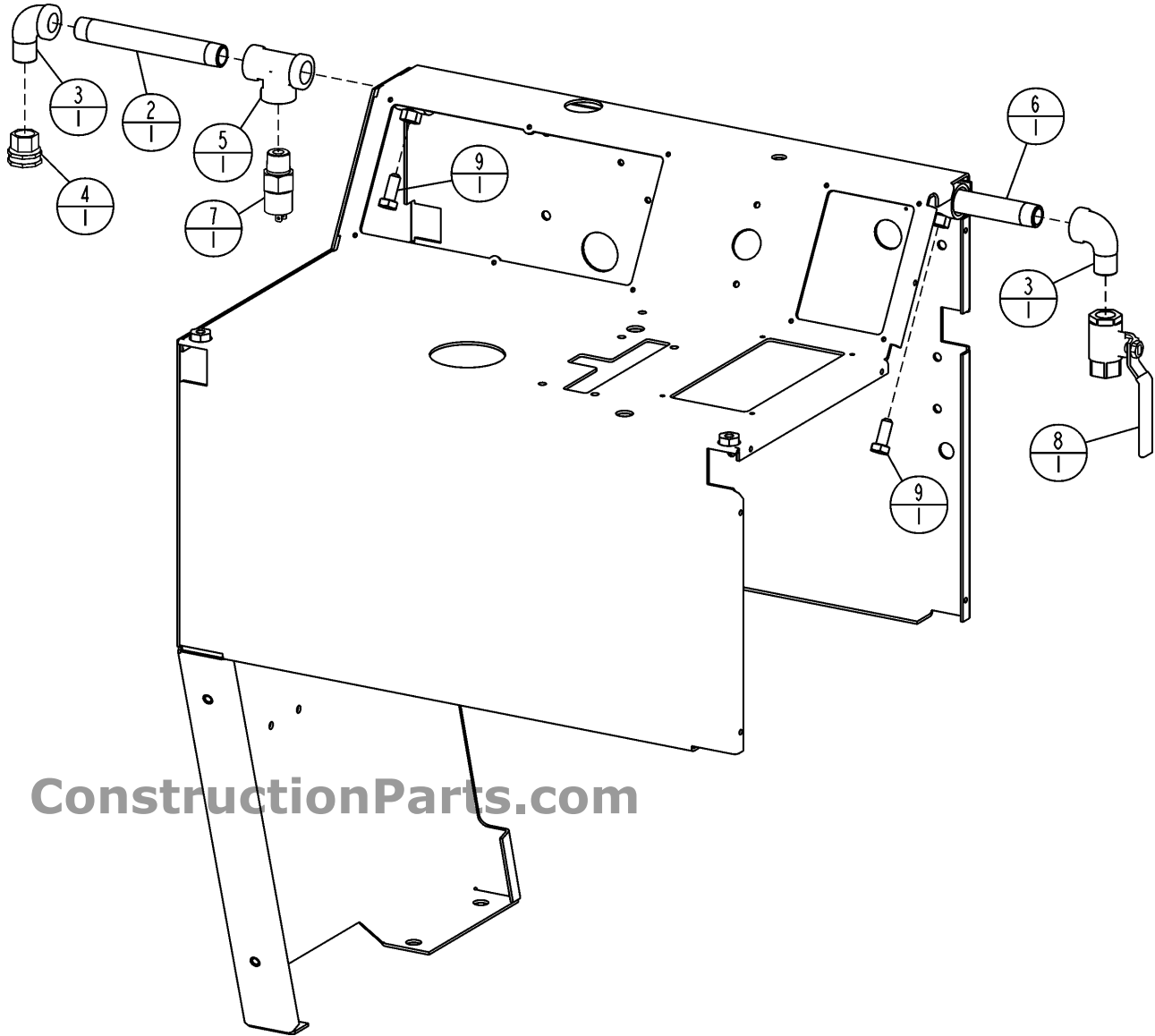
888-634-4289

Diagram 8 - Parking Brake Assembly, 542183989 - Optional  
 Diagrama 8 - Ensamblaje de freno de estacionamiento, 542183989 - Opcional



Diag Loc.	Part No.	Description	Qty. Req.
—	183989	Brake Assembly Group	1
2	183985	Brake Assembly	1
3	183967	Brake Disc	2
4	139740	Capscrew, Hex Hd M6 x 1.0 x 25mm	6
5	139745	Locknut, Fiber M6 x 1.0	6
6	178957	Bushing, 7/16ID x 11/16 Dia Hole	1
7	183975	Control Rod	1
8	020612	Pin, Cotter .094 x .75	2
9	041427	Knob, Black	1
10	173059	Washer, Flat M8	2
11	020785	Lockwasher, Split .312 Dia	2
12	197227	Capscrew, Hex Hd M8 x 1.25 x 20mm	2

Diagram 9 - Water Piping & Switch Group  
 Diagrama 9 - Grupo de tuberías de agua e interruptores



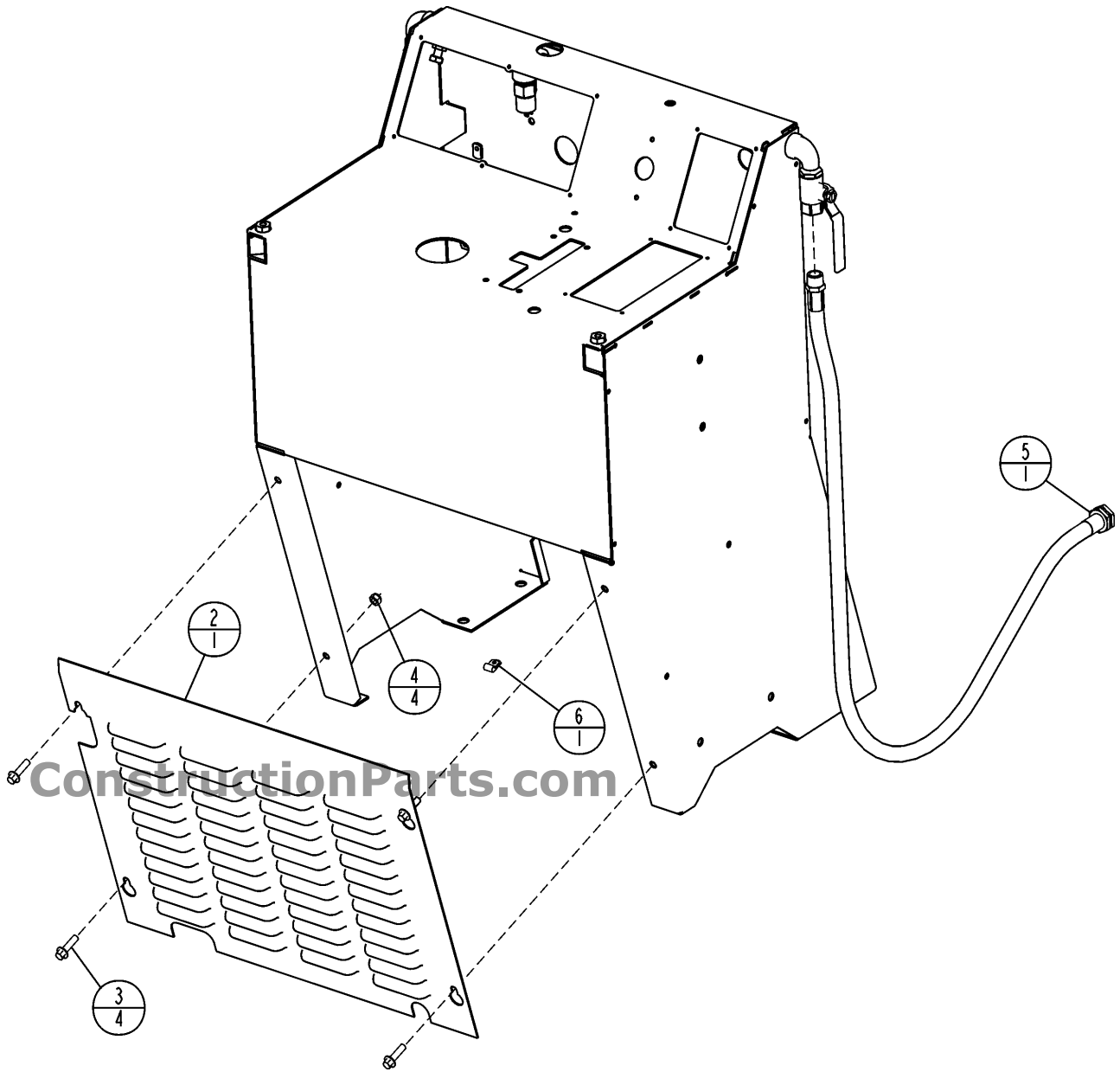
ConstructionParts.com

Diag Loc.	Part No.	Description	Qty. Req.
---	181384	Water Piping & Switch Group (Complete)	1
2	020280	Nipple, Pipe 1/2 NPT x 6	1
3	020810	Elbow, Street, 90 degree x 1/2 NPT	2
4	045642	Hose Swivel Assembly	1
5	020730	Tee, Female, 1/2 NPT, Galvanized	1
6	176185	Pipe Nipple, 1/2 NPT x 17.63	1
7	178724	Pressure Switch, N.O.	1
8	040261	Ball Valve, 1/2 NPT	1
9	139749	Capscrew, Hex Hd M10 x 1.50 x 25mm	2

ConstructionParts.com

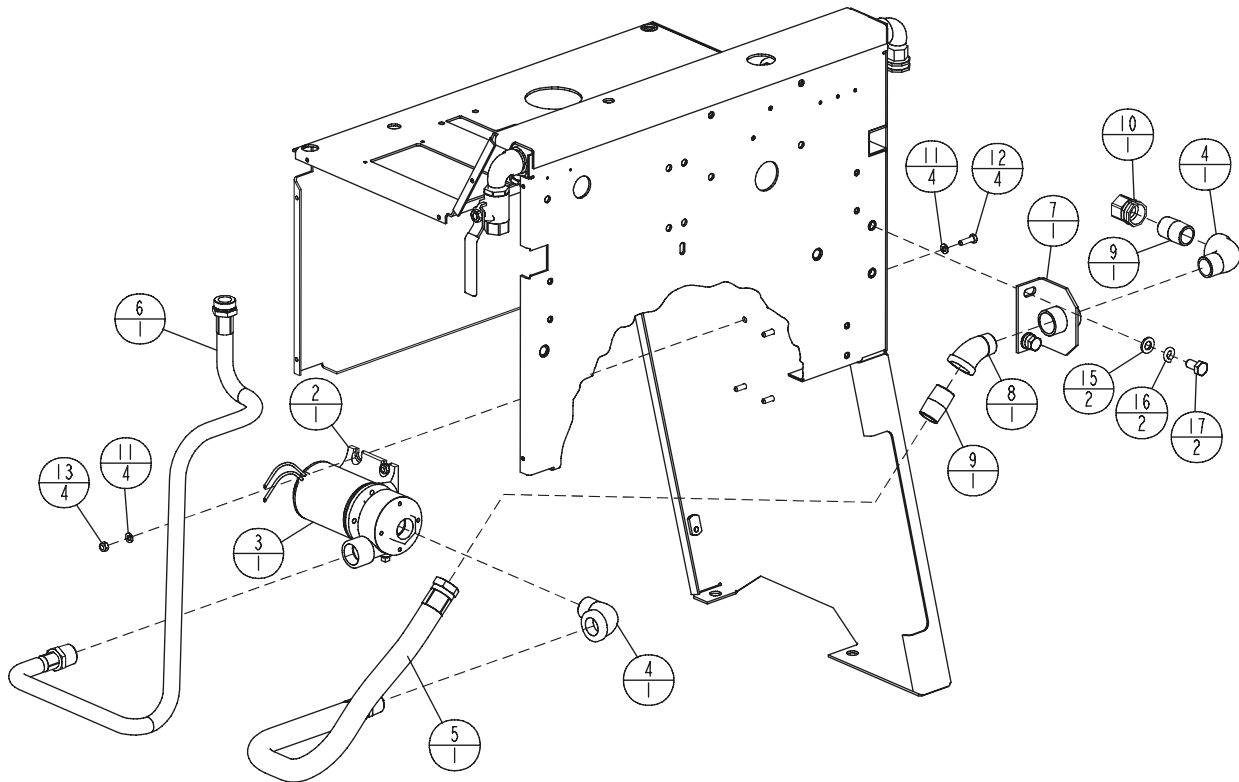
888-634-4289

Diagram 10 - Attachment Group  
 Diagrama 10 - Grupo de acoplamiento  
 ConstructionParts.com 888-634-4289



Diag Loc.	Part No.	Description	Qty. Req.
---	198465	Attachment Group (Complete)	1
2	198463	Transmission Guard Assy	1
3	167925	Capscrew, Flange Hd M8 x 1.25 x 30mm (F-Thread)	4
4	139738	Locknut, Fiber M8 x 1.25	4
5	163656	Water Hose Assembly	1
6	160465	Clamp, Vinyl Coated 3/16 Hole x 5/16 ID	1

Diagram 11 - Electric Water Pump Group, Optional  
 Diagrama 11 - Grupo de bomba de agua eléctrica, Opcional



ConstructionParts.com

Diag Loc.	Part No.	Description	Qty. Req.
—	183416	Electric Water Pump Group (Complete)	1
2	183414	Water Pump Assembly (Incl. Items 3-10)	1
3	183419	Water Pump Modified	1
4	040273	Elbow, Street, 90 degrees x 3/4 NPT	2
5	163770	Hose Assy, Water Pump Inlet	1
6	163769	Hose Assy, Water Pump Outlet	1
7	163594	Water Pump Bracket Weldment	1
8	191067	Elbow, Street, 45 degrees x 3/4 NPT	1
9	020296	Close Nipple, 3/4 NPT	2
10	045643	Hose Adapter, Swivel (w/Filter Washer)	1
11	139746	Washer, Flat M6	8
12	139761	Capscrew, Hex Hd M6 x 1.0 x 20mm	4
13	139745	Locknut, Fiber M6 x 1.0	4
14	166214	Cable Tie	1
15	173014	Washer, Flat M10	2
16	162004	Lockwasher, Split M10	2
17	139744	Capscrew, Hex Hd M10 x 1.50 x 20mm	2

ConstructionParts.com

888-634-4289

**ConstructionParts.com**

Diagram 12 - Depth Indicator Group, Depth Stop Group  
Diagrama 12 - Grupo de indicador de profundidad, Grupo de tope de profundidad

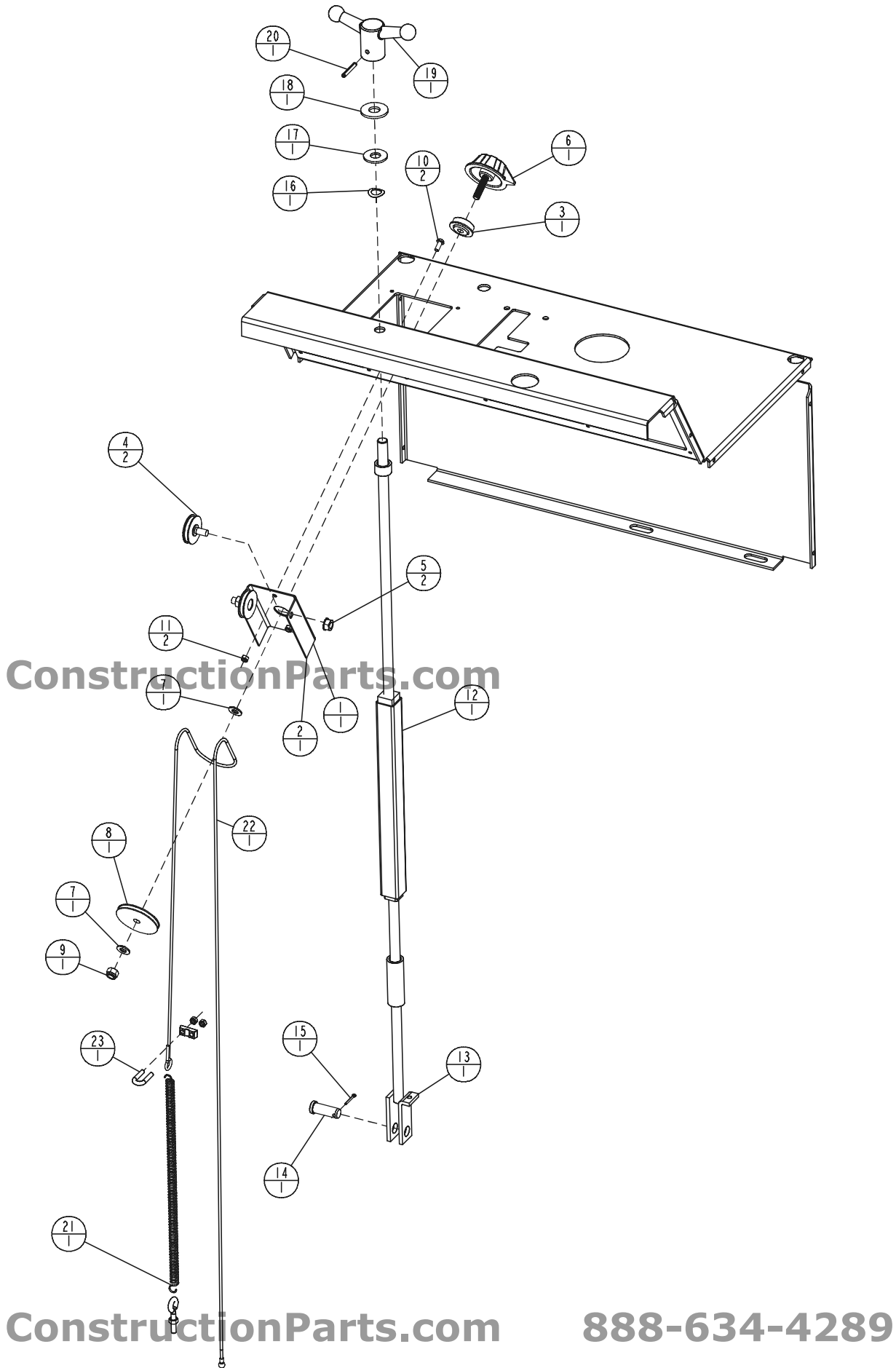


Diagram 12 - Depth Indicator Group, Depth Stop Group  
 Diagrama 12 - Grupo de indicador de profundidad, Grupo de tope de profundidad

Diag Loc.	Part No.	Description	Qty. Req.
1	167464	Depth Indicator Group (Incl. Items 2-11)	1
2	043711	Mounting Bracket	1
3	043696	Bearing, Flange	1
4	030822	Grooved Bearing w/ Stud	2
5	032366	Nut, Keps .313UNC	2
6	163261	Knob, Decorative	1
7	020763	Washer, Flat .312 SAE	2
8	043694	Pulley, Depth Indicator	1
9	020197	Locknut, Fiber .3125-18UNC	1
10	167722	Screw, Mach Pan Hd M5 x .80 x 12mm)	2
11	172316	Locknut, Fiber M5 x 0.8	2
12	167456	Depth Stop Group (Incl. Items 13-23)	1
13	163238	Depth Stop Assembly	1
14	160164	Pin, Clevis .500 Dia	1
15	020612	Pin, Cotter .094 x .75	1
16	046425	Washer, Bow .813 OD x .516 ID x .025 Thk	1
17	046424	Washer, Fiber Special	1
18	020745	Washer, Flat .500 Dia	1
19	047591	Handle, Depth Stop	1
20	020641	Pin, Roll 188 x 1.25	1
21	163168	Spring	1
22	163228	Cable w/ Ball, Depth Stop	1
23	167477	Clamp, Cable 6.5mm	1

Diagram 13 - Fuel Line Group, Fuel Tank Group  
 Diagrama 13 - Grupo de tubería de combustible, Depósito de combustible

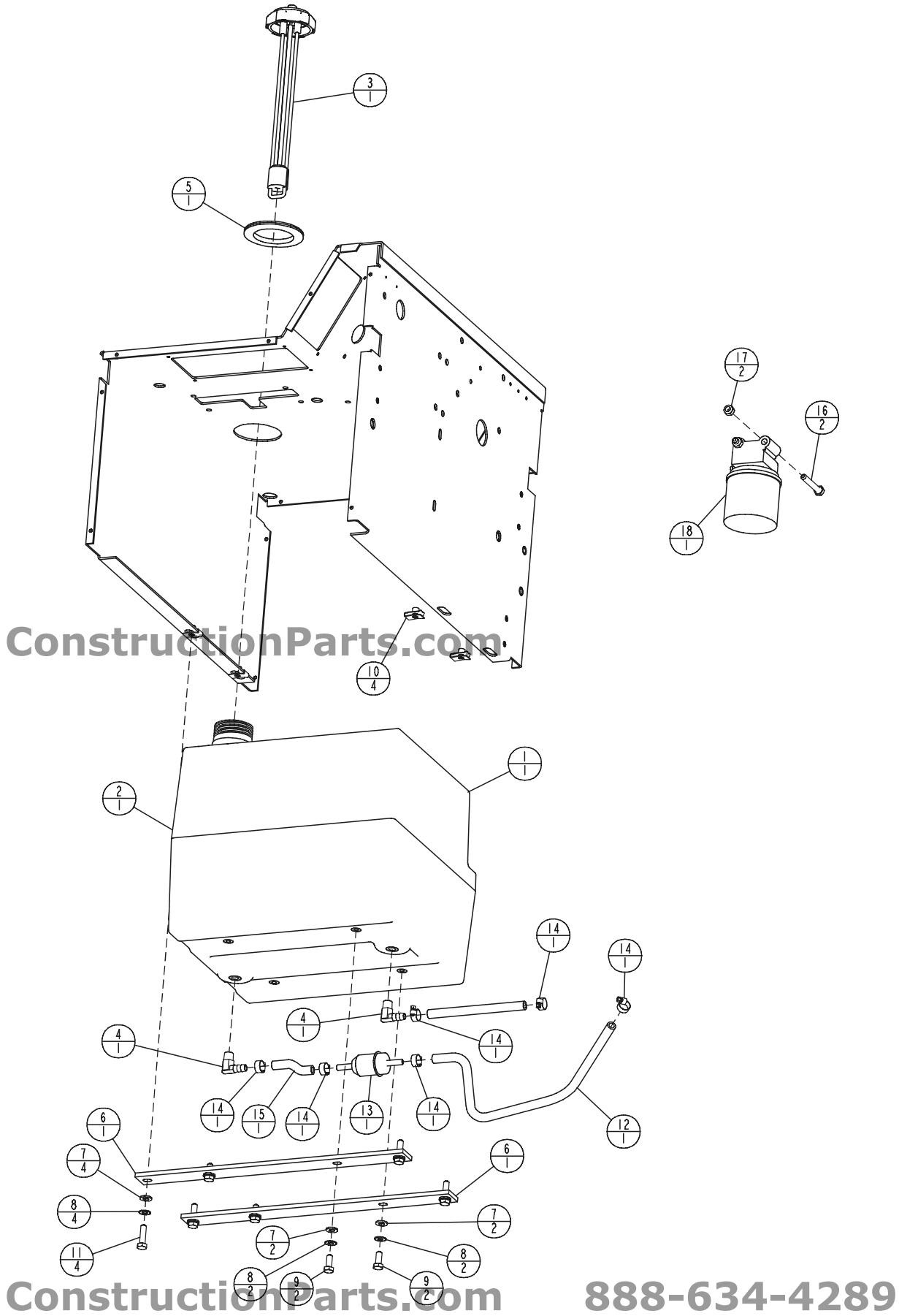


Diagram 13 - Fuel Line Group, Fuel Tank Group  
 Diagrama 13 - Grupo de tubería de combustible, Depósito de combustible

Diag Loc.	Part No.	Description	Qty. Req.
1	183805	Fuel Tank Group, Diesel (Incl. Items 2-11)	1
2	183919	Fuel Tank, Black Plastic - Diesel	1
3	160194	Gas Cap, w/ Gauge	1
4	183859	Elbow, Barb, .31 Hose x .25 NPT	2
5	045390	Grommet, Fuel Tank	1
6	164246	Fuel Tank Mounting Bar	2
7	173059	Washer, Flat M8	8
8	173019	Lockwasher, External Tooth, M8	8
9	197227	Capscrew, Hex Hd M8 x 1.25 x 20mm	4
10	167555	U-Nut, M8 x 1.25	4
11	139753	Capscrew, Hex Hd M8 x 1.25 x 30mm	4
12	183824	Fuel Line Group (Incl. Items 12-18)	1
13	183855	Filter, Diesel Fuel (In-Line)	1
14	020049	Hose Clamp, Worm Drive	6
15	160723	Hose, 5/16 ID Fuel Line	1
16	183854	Capscrew, Hex Hd M8 x 1.25 x 55mm	2
17	139738	Locknut, Fiber M8 x 1.25	2
18	183826	Filter, Diesel Fuel (Spin-On)	1

Diagram 14 - Hydraulic Pump Assembly  
Diagrama 14 - Ensamblaje de bomba hidráulica 888-634-4289

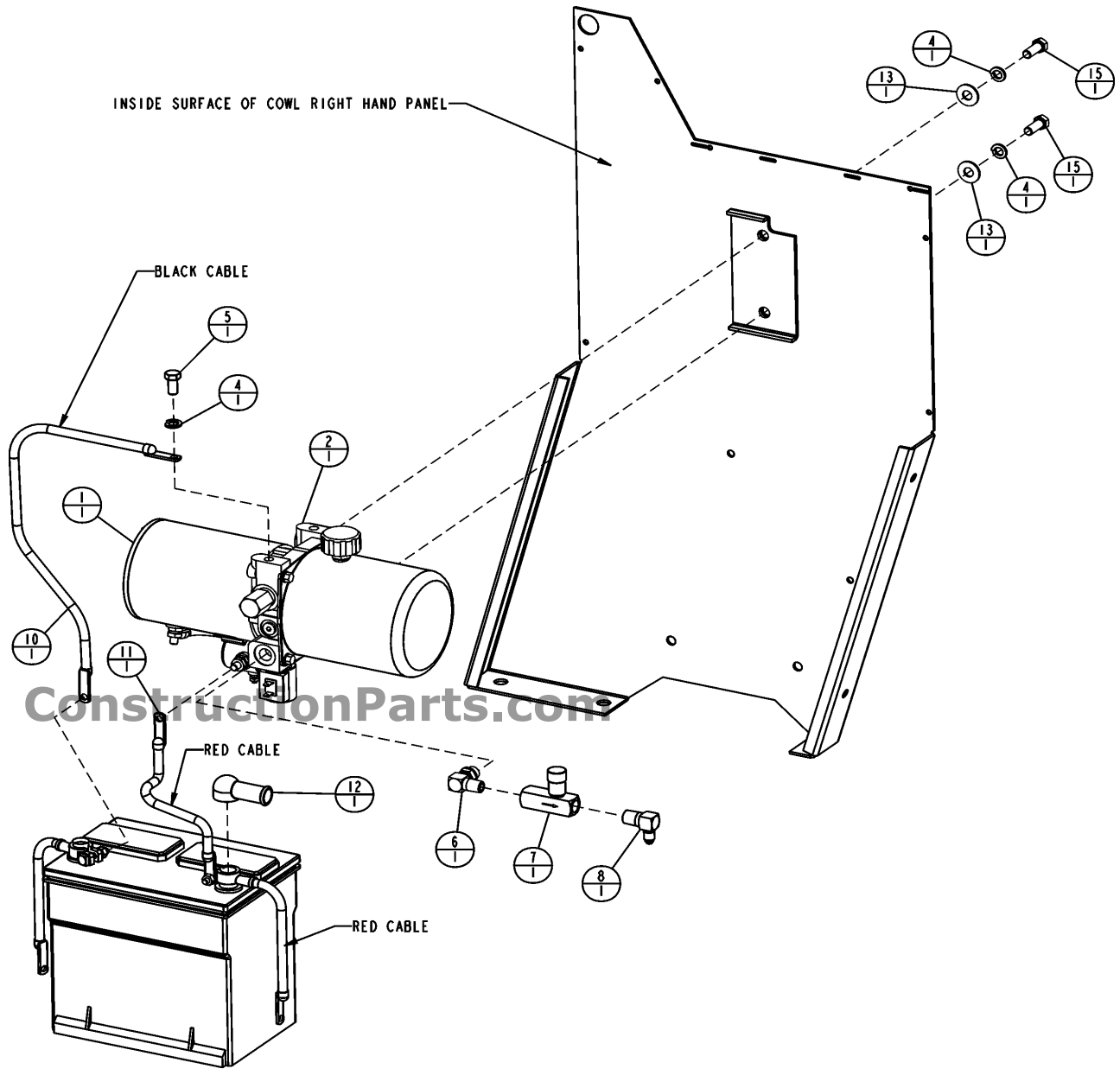


Diagram 14 - Hydraulic Pump Assembly  
 Diagrama 14 - Ensamblaje de bomba hidráulica

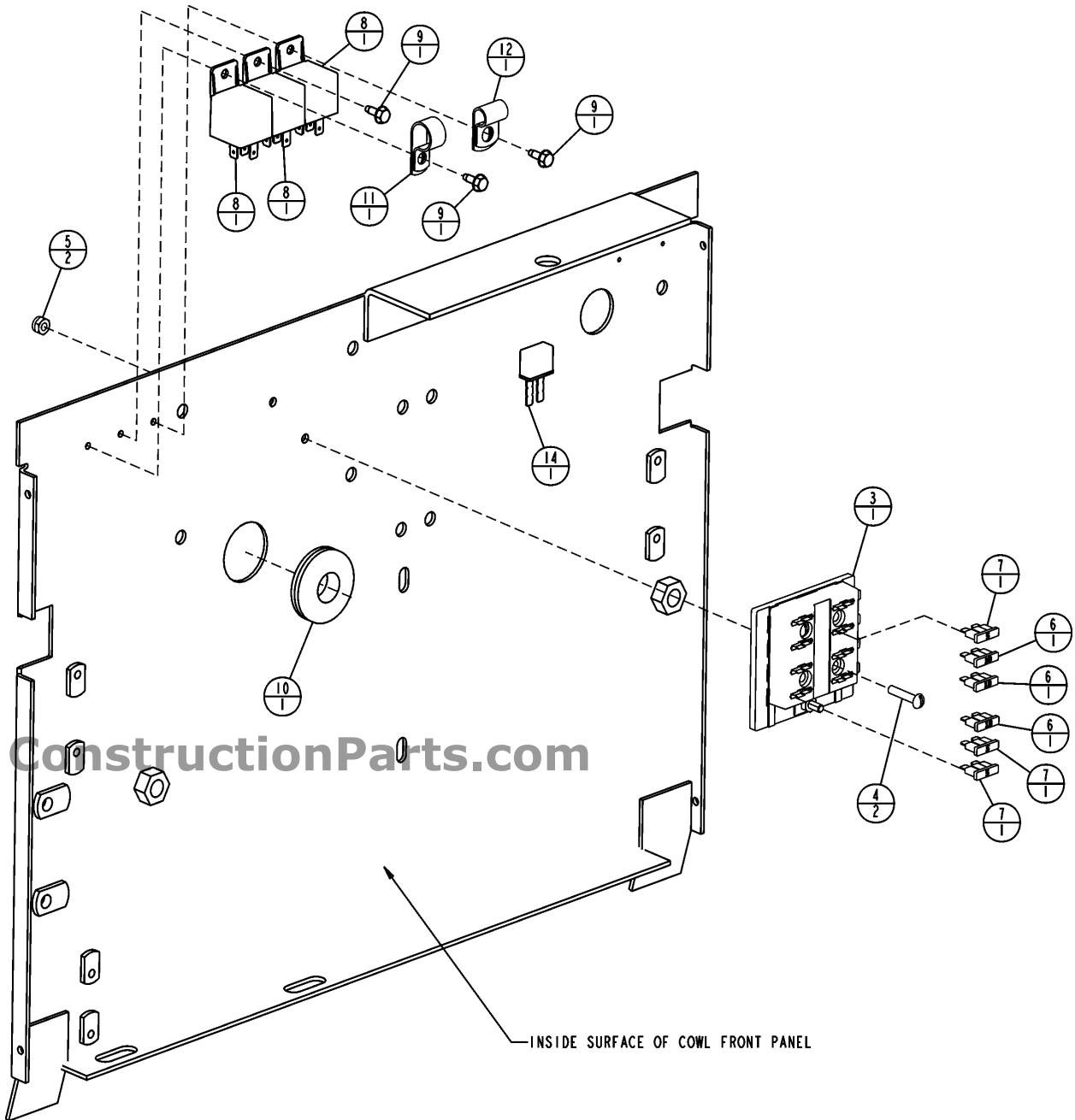
Diag Loc.	Part No.	Description	Qty. Req.
1	183411	Hydraulic Pump Assy (Incl. Items 2-12)	1
2	166633	Pump, Hydraulic Lift	1
3	090749	Hydraulic Oil, Dexron 3	1.5 Qt.
4	020786	Lockwasher, Split .375 Dia	1
5	020322	Capscrew, Hex Hd .375-16UNC x .75	1
6	166627	Fitting, 90 degree Elbow, 3/8 SAE x 1/4 NPT	1
7	166623	Valve, Flow Control	1
8	15700941	Fitting, 90 degree Elbow, 4 JIC x 1/4 NPT	1
9	197101	Wire Tie, .094 x 8.0 Lg	1
10	176714	Battery Cable, Negative Black 18 Inches	1
11	176838	Cable, Battery Positive, 12 Inches	1
12	177066	Rubber Boot, Battery Terminal	1
13	020743	Washer, Flat .375 Dia	2
14	020786	Lockwasher, Split .375 Dia	2
15	020323	Capscrew, Hex Hd .375-16UNC x 1.00	2

**ConstructionParts.com**

**ConstructionParts.com**

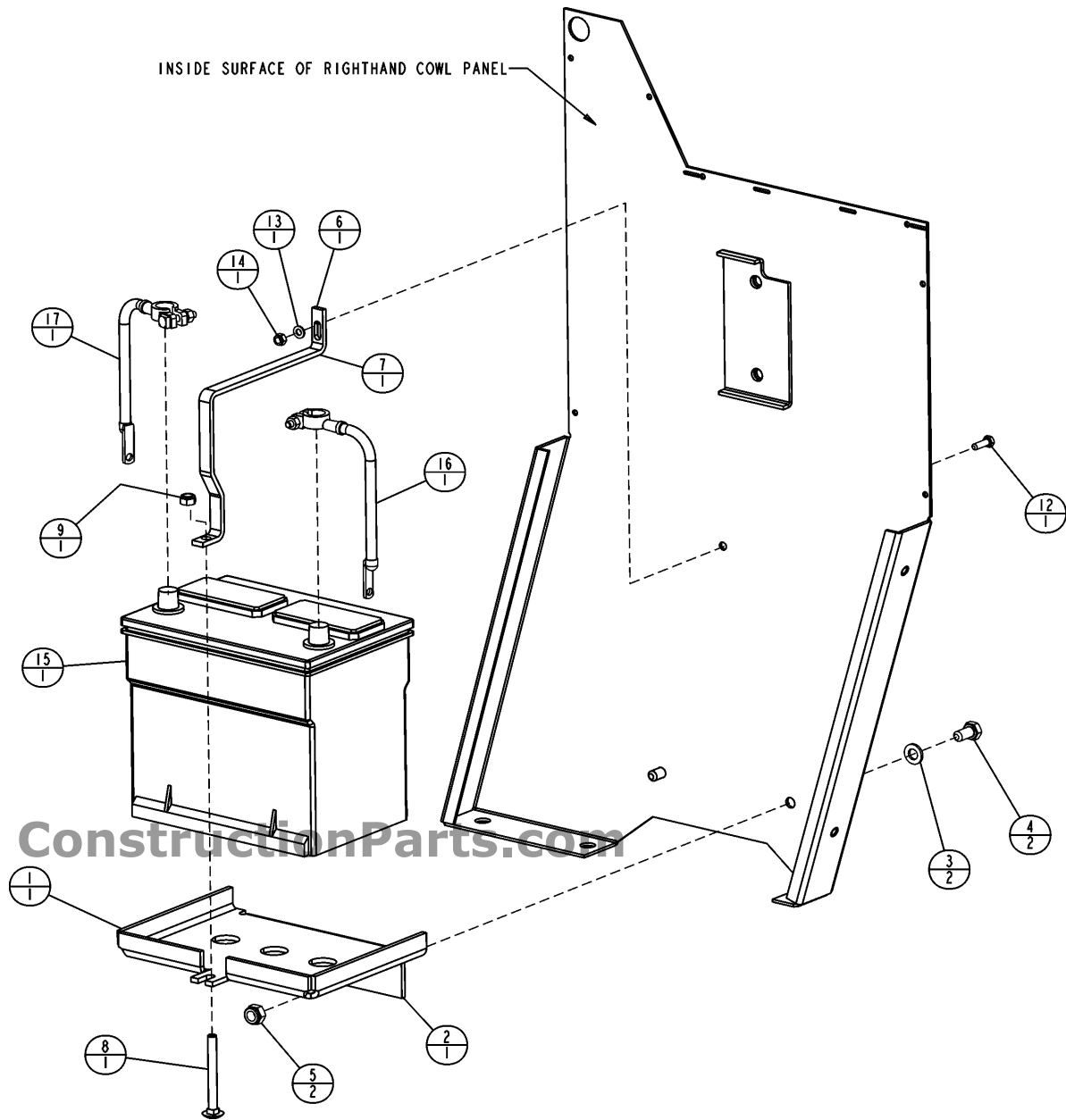
**888-634-4289**

Diagram 15 - Cowl Electrical Group  
 Diagrama 15 - Grupo eléctrico de cubierta de motor



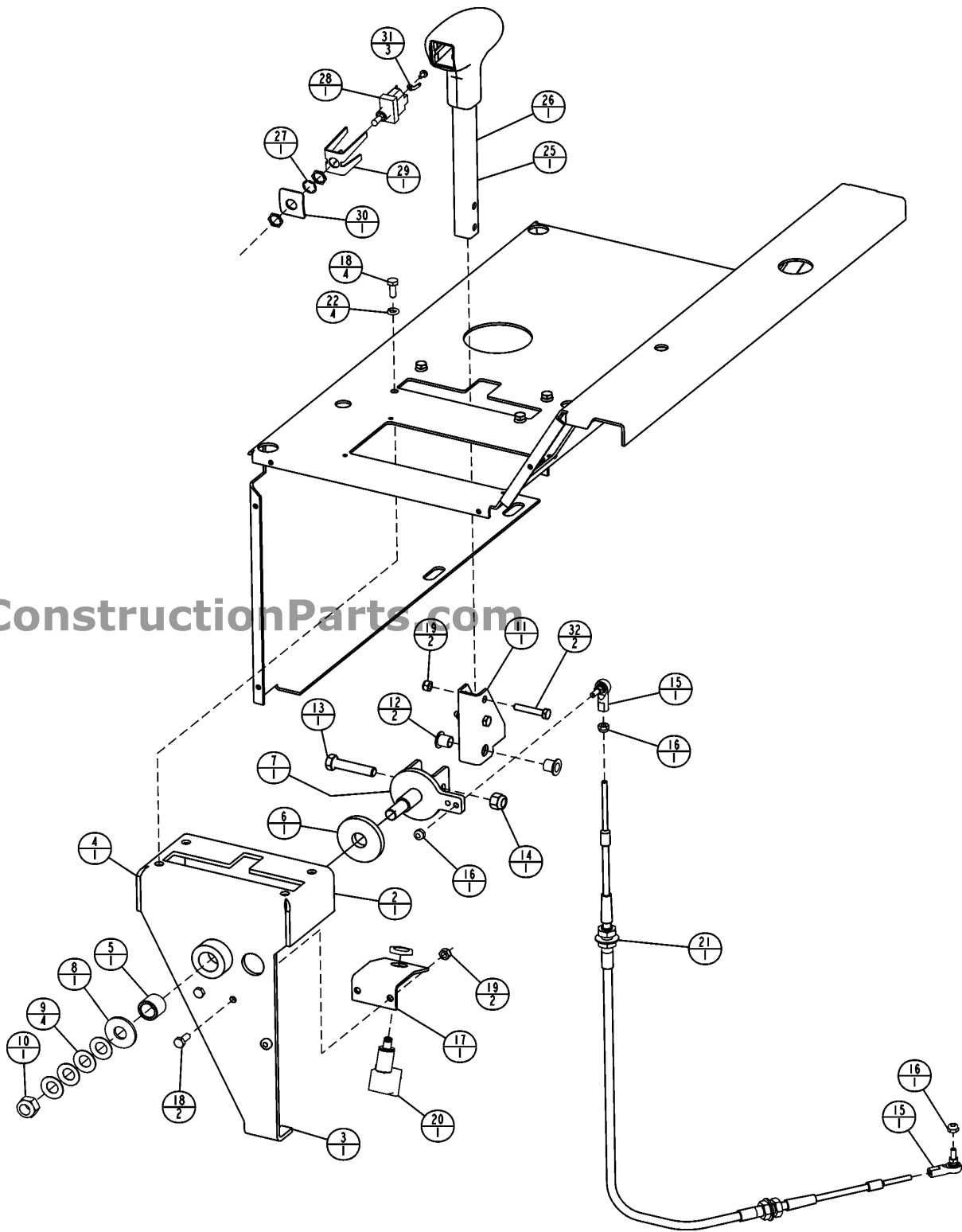
Diag Loc.	Part No.	Description	Qty. Req.
---	183852	Cowl Electrical Group (Complete)	1
2	182126	Cowl Wiring Harness, Diesel	1
3	166622	Fuse Block	1
4	020410	Screw, Mach Rd Hd #10-24UNC x 1.00	2
5	020194	Locknut, Fiber #10-24UNC	2
6	166855	Fuse, 10 Amp	3
7	166857	Fuse, 5 Amp	3
8	166708	Relay, NO/NC	3
9	166951	Screw, Hex Wash Hd Sif Tap #10-24UNC x .50 Type F	3
10	163672	Grommet, 3/4 ID x 1 7/16 Hole Size	1
11	166673	Clamp, Vinyl Coated 1/4 Hole x 5/8 ID	1
12	166674	Clamp, Vinyl Coated 3/8 Hole x 3/8 ID	1
13	197101	Wire Tie, .094 x 8.0 Lg	3
14	178645	Circuit Breaker, 30 Amp	1

Diagram 16 - Battery Bracket Group, Battery Group  
 Diagrama 16 - Grupo de ménsula de batería, Grupo de batería



Diag Loc.	Part No.	Description	Qty. Req.
1	191743	Battery Bracket Group (Incl. Items 2-5)	1
2	164748	Bracket, Battery	1
3	173014	Washer, Flat M10	2
4	139744	Capscrew, Hex Hd M10 x 1.50 x 20mm	2
5	139748	Locknut, Fiber M10 x 1.50	2
6	191744	Battery Group, Wet (Metric), Diesel (Incl. Items 7-17)	1
7	191735	Bar, Battery Holddown	1
8	181178	Bolt, Battery Holddown	1
9	139738	Locknut, Fiber M8 x 1.25	1
10	167351	Tape, Protective	1
11	15701358	Split Loom, 1/2 Inch	42 In.
12	139761	Capscrew, Hex Hd M6 x 1.0 x 20mm	1
13	139746	Washer, Flat M6	1
14	139745	Locknut, Fiber M6 x 1.0	1
15	191578	Battery, 12V Wet	1
16	048541	Battery Cable, Positive 48 Inch	1
17	163179	Battery Cable, Negative Black (40 Inch)	1

Diagram 17 - Speed Control Lever Group, Handle & Switch Group  
Diagrama 17 - Grupo de palanca de control de velocidad, Grupo de mango e interruptor



ConstructionParts.com

ConstructionParts.com

888-634-4289

Diagram 17 - Speed Control Lever Group, Handle & Switch Group  
 Diagrama 17 - Grupo de palanca de control de velocidad, Grupo de mango e interruptor

Diag Loc.	Part No.	Description	Qty. Req.
---	183807	Cowl Group, Diesel (Complete)	1
2	183178	Speed Control Lever Group (Incl. Items 3-24)	1
3	183401	Speed Control Lever Assembly (Incl. Items 4-21)	1
4	176994	Speed Control/Shift Frame	1
5	163186	Bushing, Brass	1
6	181039	Washer, Friction .656 ID	1
7	176996	Arm, Shifter Pivot	1
8	020745	Washer, Flat .500 Dia	4
9	183124	Spring Washer, Bellville Disc	1
10	139742	Locknut, Fiber M12 x 1.75	1
11	176998	Shift Pivot Point	1
12	183001	Iglide Bushing	2
13	183154	Capscrew, Hex Hd .375-16UNC	1
14	020199	Locknut, Fiber .375-16UNC	1
15	166466	Rod End, #10-32UNF	2
16	166891	Locknut, Fiber #10-32UNF	1
17	183137	Bracket, Neutral Safety Switch	1
18	163688	Capscrew, Hex Hd M6 x 1.0 x 16mm	2
19	139745	Locknut, Fiber M6 x 1.0	2
20	176398	Switch Neutral Safety	1
21	166465	Cable, Push-Pull	4
22	163689	Lockwasher, Split M6	4
23	163688	Capscrew, Hex Hd M6 x 1.0 x 16mm	2
24	166891	Locknut, Fiber #10-32UNF	1
25	183630	Handle & Switch Group, (Incl. Items 26-33)	1
26	182100	Handle & Switch Assembly (Incl. Items 27-31)	1
27	182115	Toggle Switch Assembly (Incl. Items 28-31)	1
28	182102	Switch, Toggle	1
29	182095	Bracket, Mounting	1
30	182096	Plate, Cover	1
31	182099	Terminal, Solder	3
32	167483	Capscrew, Hex Hd M6 x 1.0 x 35mm	2
33	139745	Locknut, Fiber M6 x 1.0	2

Diagram 18 - Control Panels: Engine & Pump, Instrument Panel Assembly  
Diagrama 18 - Paneles de control: Máquina y bomba, Conjunto de panel de instrumentos

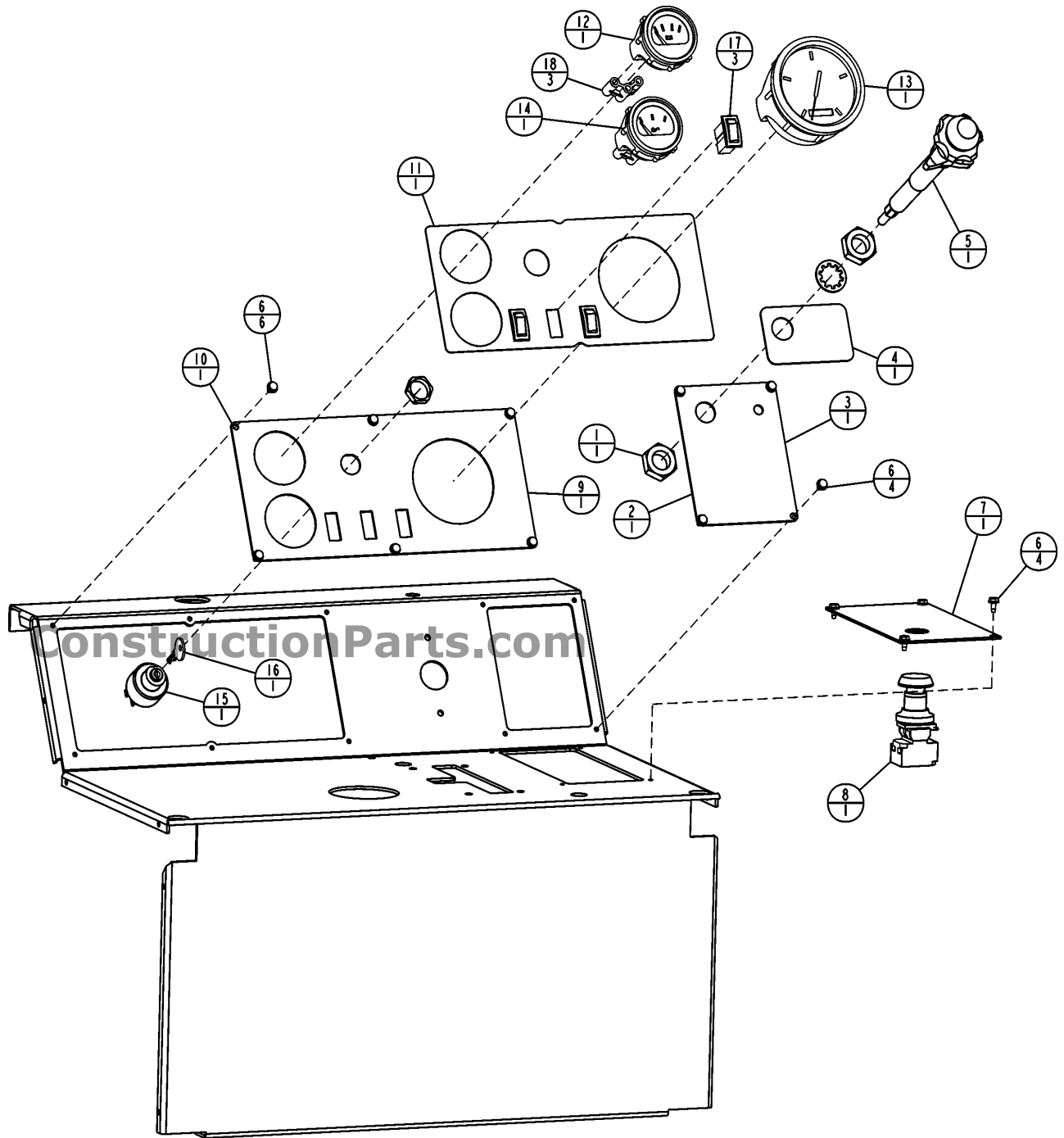
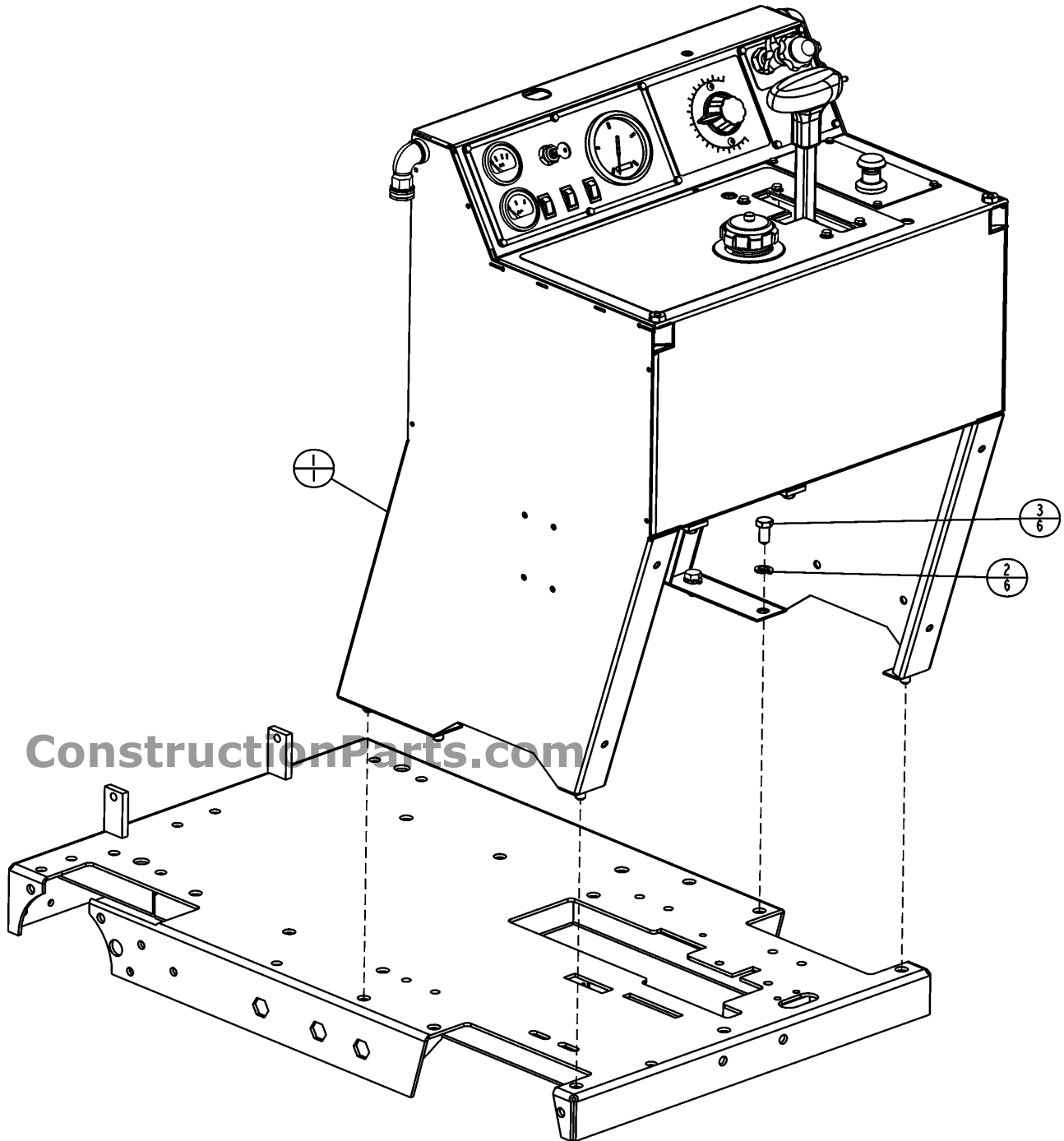


Diagram 18 - Control Panels: Engine & Pump, Instrument Panel Assembly  
 Diagrama 18 - Paneles de control: Máquina y bomba, Conjunto de panel de instrumentos

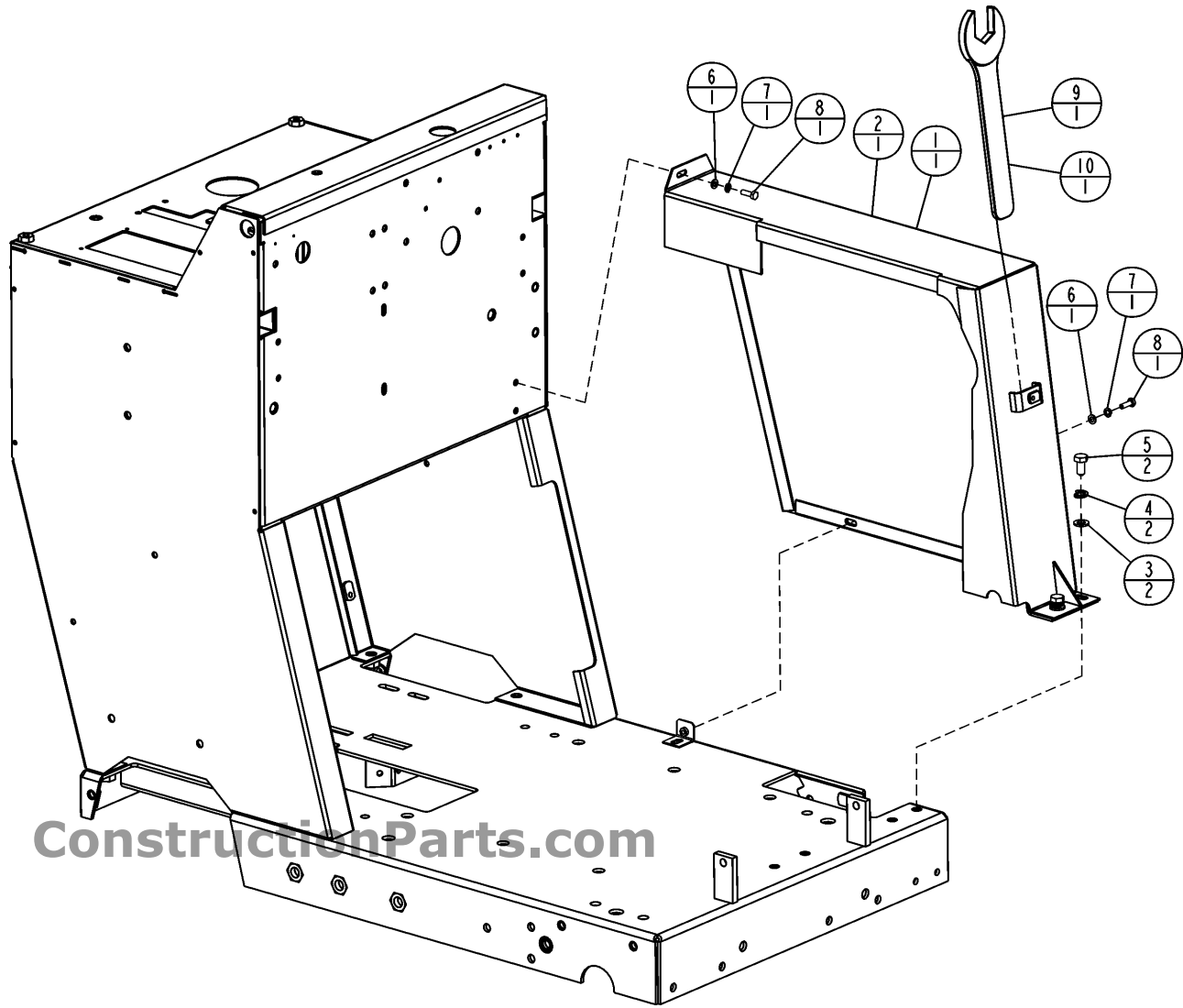
Diag Loc.	Part No.	Description	Qty. Req.
1	198840	Control Panels: Engine & Pump (Incl. Items 2-8)	1
2	198472	Panel Assembly, Engine Control - Diesel (Incl. Items 3-5)	1
3	198453	Panel, Dash Cover	1
4	183769	Decal, Throttle - Diesel	1
5	160172	Cable, Throttle	1
6	020587	Screw, Hex Wash Hd Slf Tap #10-24UNC x .375 Type D	8
7	198454	Pump Cover Plate	1
8	176383	Switch, Mushroom Stop	1
9	198473	Instrument Panel Assy, Diesel (Incl. Items 10-18)	1
10	198471	Instrument Panel, Diesel	1
11	191006	Decal, Instrument Panel	1
12	183896	Gauge, DC Voltmeter	1
13	182137	Calibrated Gauge, Tach/Hourmeter - Deutz 2 Cyl	1
14	183853	Gauge, Oil Pressure	1
15	166707	Switch, Ignition Key (Incl. Item 16)	1
16	166854	Key, Ignition (Set of 2)	1
17	166711	Switch, Rocker SPST	3
18	183897	Connector, Gauge	3
19	020587	Screw, Hex Wash Hd Slf Tap #10-24UNC x .375 Type D	6

Diagram 19 - Hardware Mounting & Cowl Weldment  
 Diagrama 19 - Tornillería de montaje y soldadura de cubierta de motor

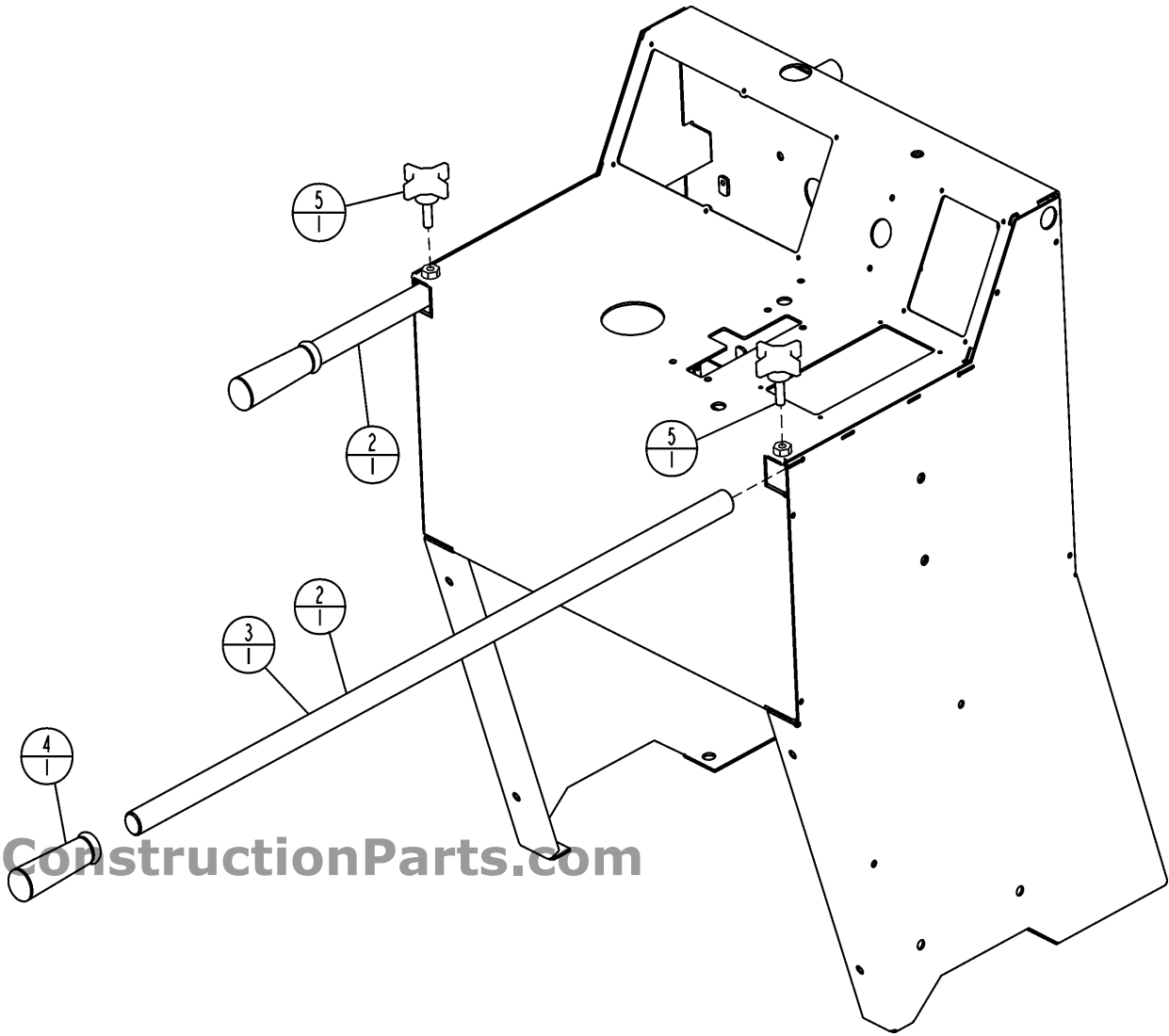


Diag Loc.	Part No.	Description	Qty. Req.
1	198450	Cowl Weldment	1
2	020788	Lockwasher, Split .500 Dia	6
3	139751	Capscrew, Hex Hd M12 x 1.75 x 25mm	6

Diagram 20 - Belt Guard Assembly  
 Diagrama 20 - Ensamblaje de salvaguarda de banda 888-634-4289

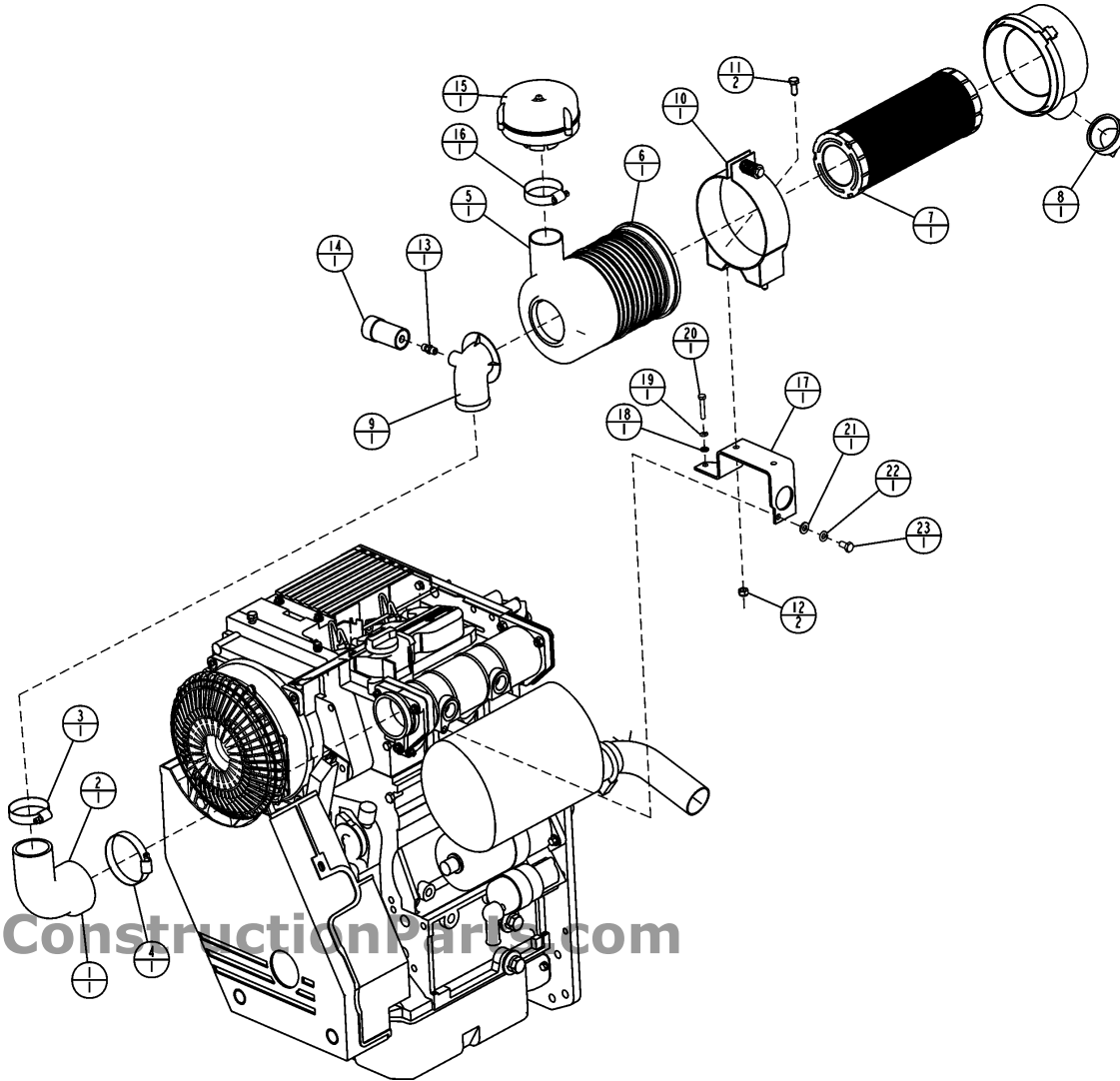


Diag Loc.	Part No.	Description	Qty. Req.
1	198475	Belt Guard Assembly (Incl. Items 2-8)	1
2	198476	Belt Guard Weldment	1
3	173014	Washer, Flat M10	2
4	162004	Lockwasher, Split M10	2
5	139744	Capscrew, Hex Hd M10 x 1.50 x 20mm	2
6	139746	Washer, Flat M6	2
7	163689	Lockwasher, Split M6	2
8	139761	Capscrew, Hex Hd M6 x 1.0 x 20mm	2
9	164649	Bladeshaft Wrench Group (Incl. Item 10)	1
10	043650	Wrench, Bladeshaft	1



Diag Loc.	Part No.	Description	Qty. Req.
--	164684	Handle Group (Complete)	1
2	164647	Handle Assembly (Incl. Items 3 & 4)	2
3	117194	Handle Bar	1
4	139568	Grip, Handle	1
5	166038	Knob, 1.25 x 3/8-16UNC-2A	2

Diagram 22 - Air Cleaner Hose Group, Air Cleaner Group  
 Diagrama 22 - Grupo de manguera Air Cleaner, Grupo Air Cleaner



Diag Loc.	Part No.	Description	Qty. Req.
1	183809	Air Cleaner Hose Group (Incl. Items 2-4)	1
2	183689	Hose, Air Intake	1
3	020050	Hose Clamp, Worm Drive SAE 3	1
4	15701380	Hose Clamp, Worm Drive SAE 56	1
5	183808	Air Cleaner Group (Incl. Items 6-23)	1
6	181320	Air Cleaner Assembly (Incl. Items 7-9)	1
7	181322	Primary Element	1
8	181340	Valve, Air Cleaner	1
9	181320	Elbow, Air Cleaner Outlet	1
10	181321	Band Assembly, Air Cleaner Mount	1
11	197227	Capscrew, Hex Hd M8 x 1.25 x 20mm	2
12	139738	Locknut, Fiber M8 x 1.25	2
13	166880	Adaptor, Restriction Indicator	1
14	163664	Air Restriction Indicator	1
15	183487	Precleaner, Impeller Type (Incl. Item 16)	1
16	020050	Hose Clamp, Worm Drive SAE 3	1
17	183685	Air Cleaner Mount	1
18	139746	Washer, Flat M6	1
19	163689	Lockwasher, Split M6	1
20	167483	Capscrew, Hex Hd M6 x 1.0 x 35mm	1
21	173059	Washer, Flat M8	1
22	020785	Lockwasher, Split .312 Dia	1
23	172028	Capscrew, Hex Hd M8 x 1.25 x 16mm	1
	181323	Safety Element (Not Shown - Incl. With Air Cleaner Group)	1

Diagram 23 - Engine Group, Engine Group  
Diagrama 23 - Grupo de máquina

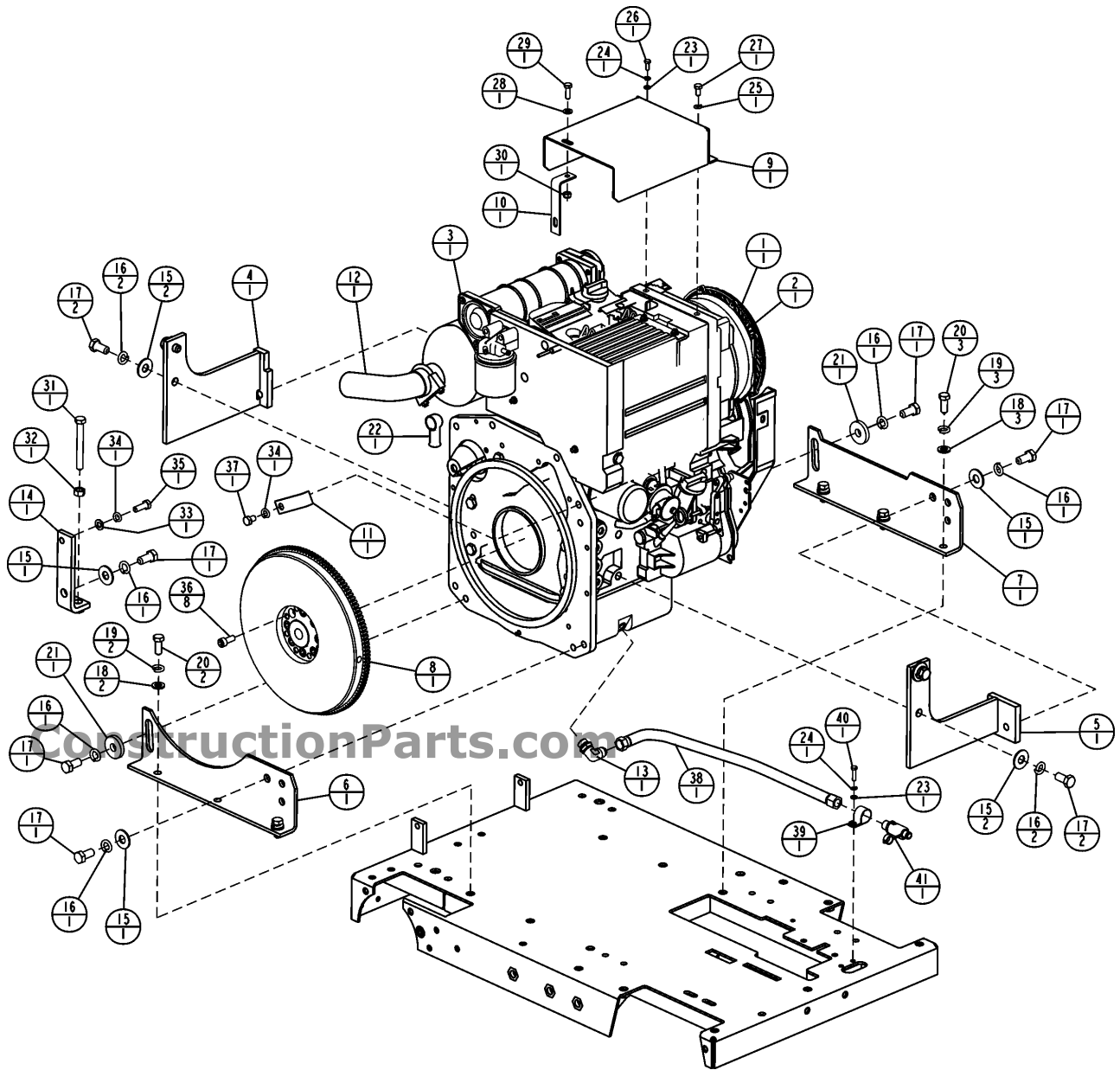
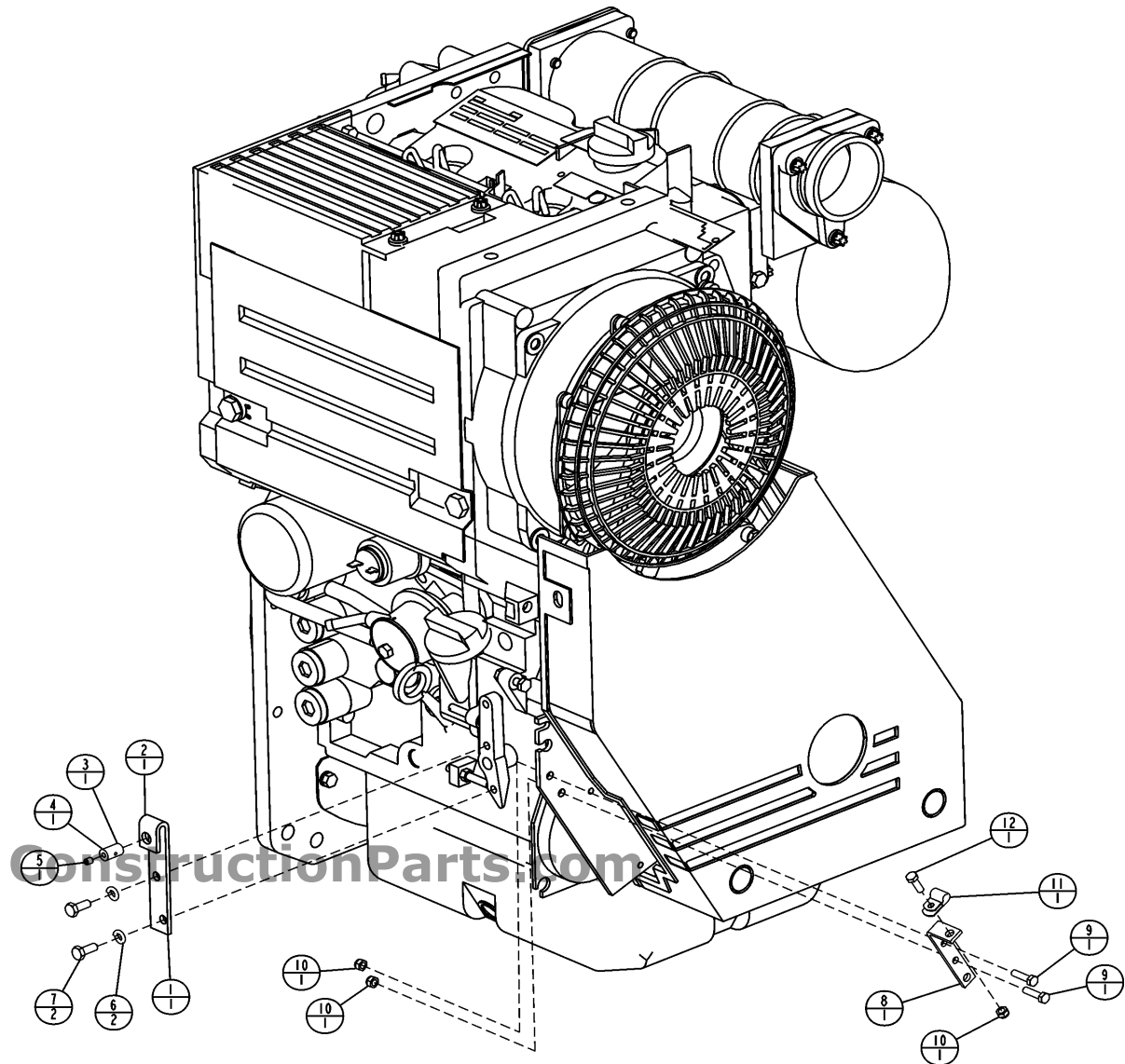


Diagram 23 - Engine Group, Engine Group  
 Diagrama 23 - Grupo de máquina

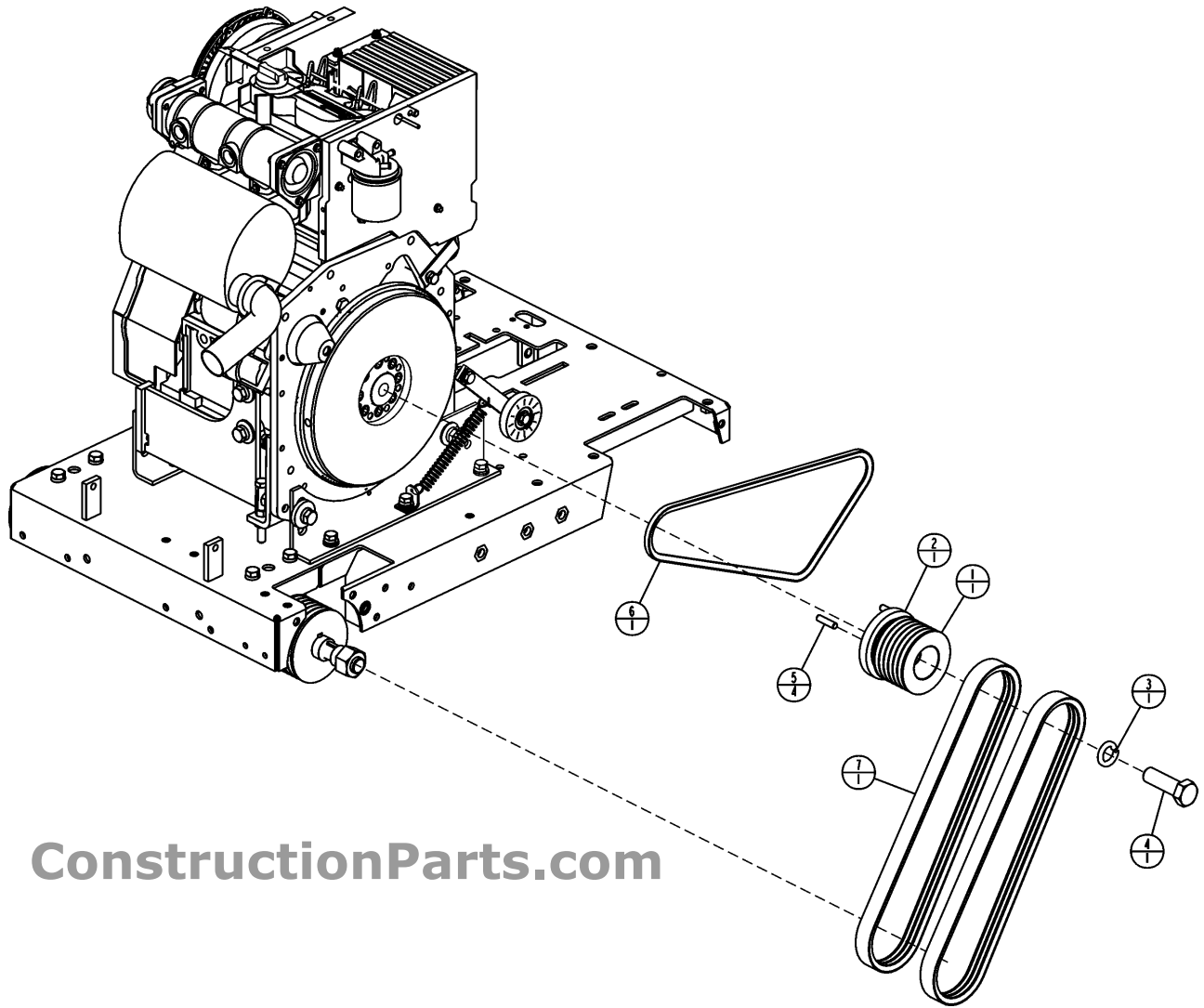
ConstructionParts.com 888-634-4289

Diag Loc.	Part No.	Description	Qty. Req.
2	183857	Engine Group, Diesel (Less Air Cleaner & Misc. Parts) (Complete)	1
3	183856	Engine Modified Deutz F2L	1
4	183677	Front Engine Mount	1
5	183679	Rear Engine Mount	1
6	183648	Bracket, LH Engine Foot	1
7	183650	Right Engine Foot Bracket	1
8	191130	Flywheel-Narrow Ring Gear Assy	1
9	183745	Heat Shield	1
10	183747	Bracket, Heat Shield	1
11	183777	Bracket, Hose Support	1
12	183779	Elbow, Exhaust Outlet	1
13	183767	Fitting, Elbow, Metric-JIC	1
14	183695	Belt Tensioner Assy	1
15	183850	Washer, Flat .562 Dia	7
16	166358	Lockwasher, Split M14	9
17	183789	Capscrew, Hex Hd M14 x 2.0 x 30mm	9
18	173042	Washer, Flat M12	5
19	020788	Lockwasher, Split .500 Dia	5
20	139741	Capscrew, Hex Hd M12 x 1.75 x 30mm	5
21	183781	Washer, Flat 1.75 OD x .594 ID	2
22	177066	Rubber Boot, Battery Terminal	1
23	139746	Washer, Flat M6	2
24	163689	Lockwasher, Split M6	2
25	020785	Lockwasher, Split .312 Dia	1
26	163688	Capscrew, Hex Hd M6 x 1.0 x 16mm	1
27	172028	Capscrew, Hex Hd M8 x 1.25 x 16mm	1
28	173059	Washer, Flat M8	1
29	167478	Capscrew, Hex Hd M8 x 1.25 x 25mm	1
30	139738	Locknut, Fiber M8 x 1.25	1
31	167439	Capscrew, Hex Hd M12 x 1.75 x 100mm	1
32	173009	Nut, Hex Hd M12 x 1.75	1
33	173014	Washer, Flat M10	1
34	162004	Lockwasher, Split M10	2
35	047792	Capscrew, Hex Hd M10 x 1.50 x 30mm	1
36	183814	Capscrew, Soc Hd M10 x 1.00 x 25mm (12.9)	8
37	173005	Capscrew, Hex Hd M10 x 1.50 x 16mm	1
38	183764	Hose, Oil Drain	1
39	166955	Clamp, Vinyl Coated 3/8 Hole x 1.00 ID	1
40	139740	Capscrew, Hex Hd M6 x 1.0 x 25mm	1
41	166907	Valve, Oil Drain	1

Diagram 24 - Engine Throttle Control Hardware  
 Diagrama 24 - Dispositivos de control de acelerador de máquina



Diag Loc.	Part No.	Description	Qty. Req.
-	183822	Engine Throttle Control Hardware (Complete)	1
2	183701	Bracket, Throttle Lever	1
3	046179	Pivot Pin Assembly (Incl. Items 4 & 5)	1
4	046193	Pivot Pin for Speed Control	1
5	020547	Screw, Set Soc Cup Pt #10-24UNC x .25	1
6	163689	Lockwasher, Split M6	2
7	163688	Capscrew, Hex Hd M6 x 1.0 x 16mm	2
8	046418	Bracket, Throttle	1
9	167761	Capscrew, Hex Hd M5 x 0.8 x 20mm	2
10	172316	Locknut, Fiber M5 x 0.8	3
11	160465	Clamp, Vinyl Coated 3/16 Hole x 5/16 ID	1
12	172315	Capscrew, Hex Hd M5 x 0.8 x 16mm	1
-	183175	Deutz Engine Alternator V-Belt (Not Shown)	1
-	183825	Oil Filter, Deutz (Not Shown)	1
-	183827	Valve/Cover Gasket Deutz (Not Shown)	1
-	183828	Oil Cap, Deutz (Not Shown)	1



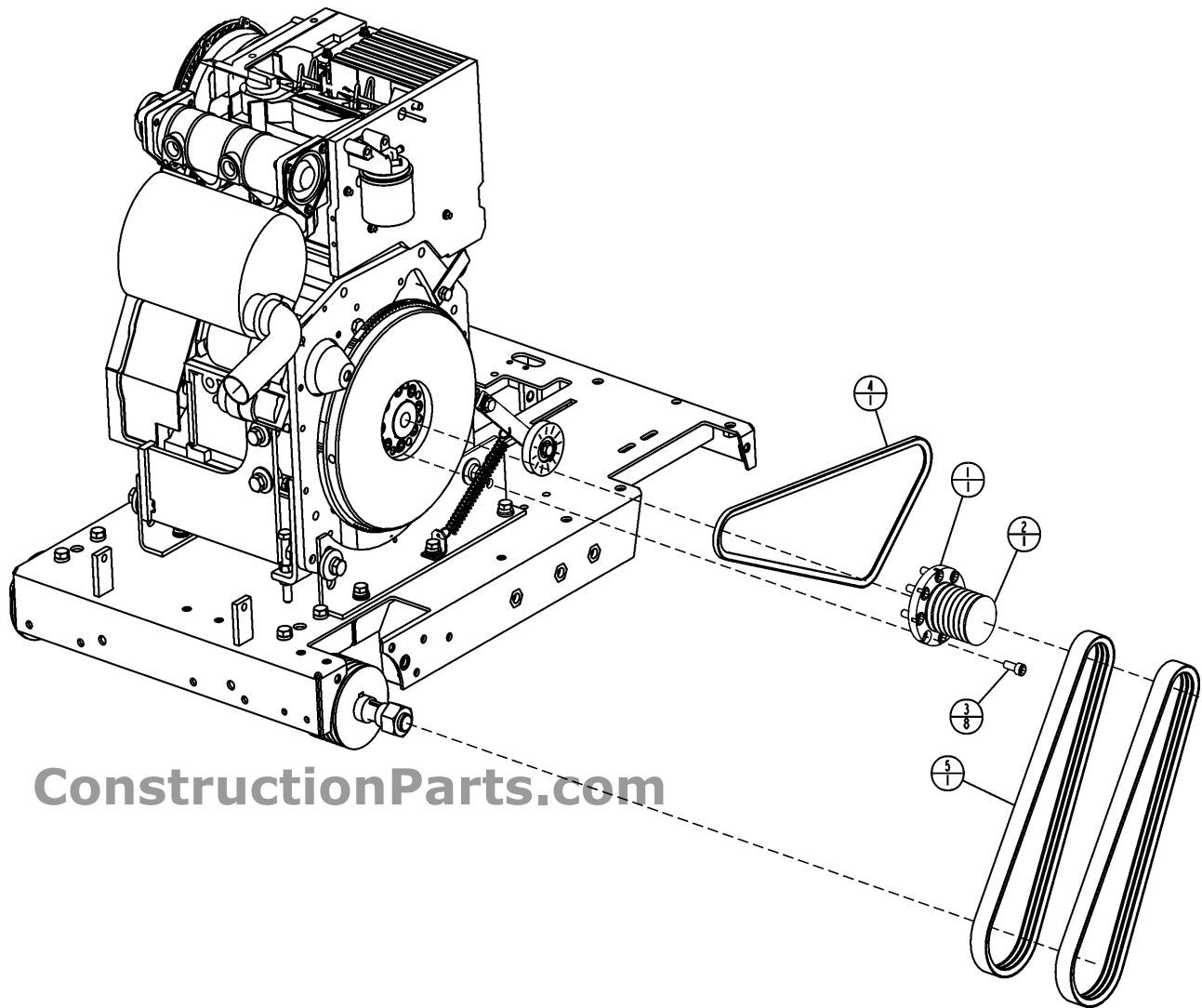
ConstructionParts.com

Diag Loc.	Part No.	Description	Qty. Req.
-	183813	Belts & Pulleys, 18 Inch (Complete)	1
2	183643	Pulley, Flange 4.12 x 7 Gr	1
3	183815	Lockwasher, Split M24	1
4	183639	Capscrew, Hex Hd M24 x 2.0 x 80mm	1
5	183703	Pin, Dowel .375 x .75	4
6	163585	V-Belt, 3VX450 (Drive Accessory)	1
7	160726	V-Belt, 3VX450 (3 bands set of 2)	1

ConstructionParts.com

888-634-4289

Diagram 26 - Belts & Pulleys Assembly, 26"/30"  
 Diagrama 26 - Ensamblaje de bandas y poleas, 26"/30"



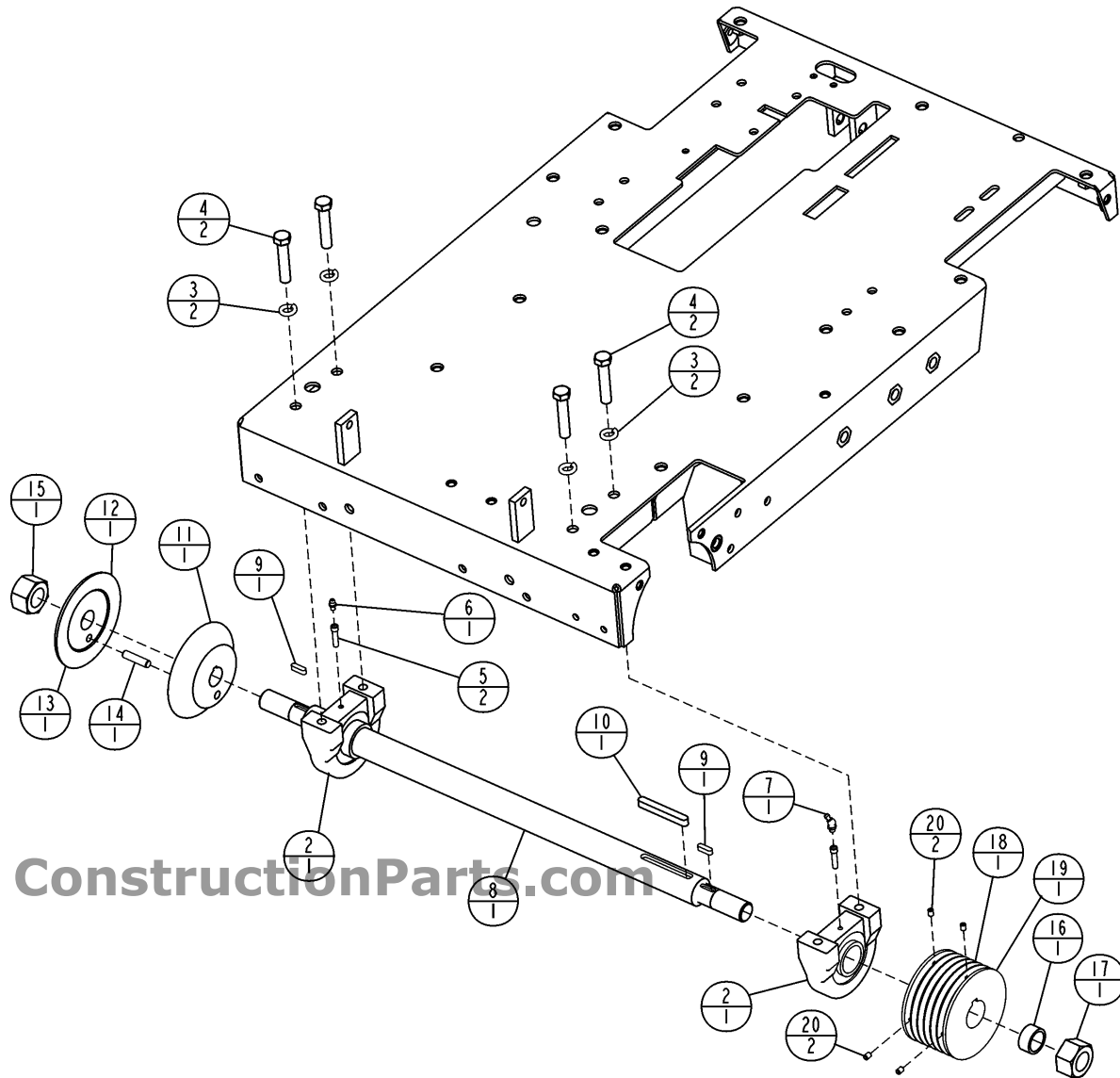
ConstructionParts.com

Diag Loc.	Part No.	Description	Qty. Req.
-	183812	Belts & Pulleys, 26/30 Inch (Complete)	1
2	183642	Pulley, Flange 2.8 x 7 Gr	1
3	183814	Capscrew, Soc Hd M10 x 1.00 x 25mm (12.9)	8
4	166022	V-Belt, 3VX430 (Accessory Drive)	1
5	183816	V-Belt, 3VX430 (3 bands set of 2)	1

ConstructionParts.com

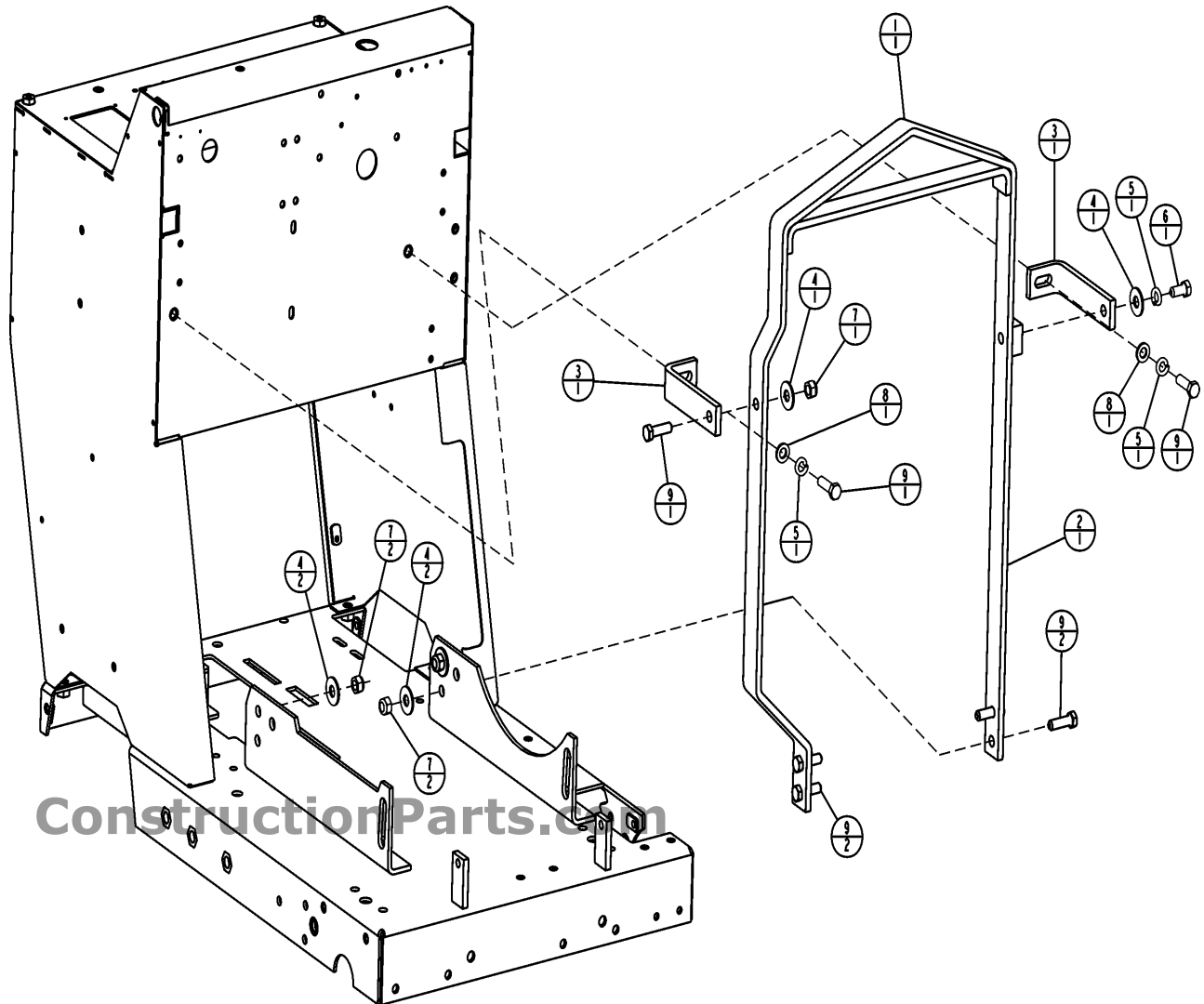
888-634-4289

Diagram 27 - Bladeshaft Assembly  
 Diagrama 27 - Ensamblaje de eje de hoja



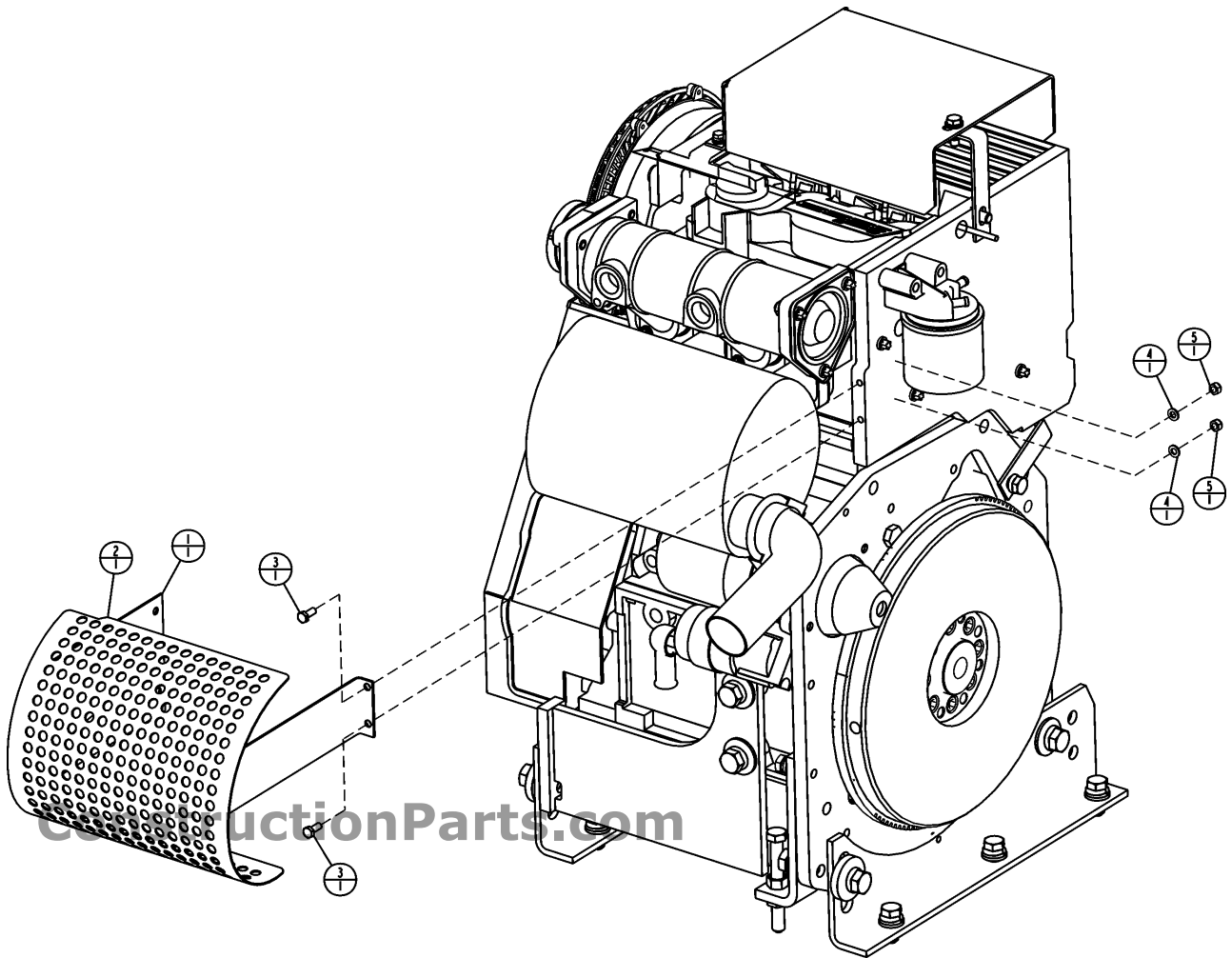
Diag Loc.	Part No.	Description	Qty. Req.
—	183636	Bladeshaft Assembly (Complete)	1
2	183144	Bearing, Ball, Pillow Block 1.438 ID	2
3	020788	Lockwasher, Split .500 Dia	4
4	021403	Capscrew, Hex Hd .500-13UNC x 2.5	4
5	183637	Grease Zerk Ext. Tube	2
6	110102	Grease Fitting, 1/4-28UNF	1
7	164296	Fitting, Grease 1/4-28UNF x 90 degrees	1
8	164233	Bladeshaft	1
9	043054	Key, Square (Round Ends) .25 x .844	2
10	183785	Key, Square (Round Ends)	1
11	167187	Blade Collar, Inner 5 Inch	1
12	167367	Blade Flange Assy, Outer 5 Inch (Incl. Items 13 & 14)	1
13	167188	Blade Flange, Outer 5 Inch	1
14	020304	Pin, Dowel .375 x 1.50	1
15	020017	Nut, Hex Hd 1-14UNF LH	1
16	048732	Thread Protector Sleeve	1
17	020018	Nut, Hex Hd 1-14UNF RH	1
18	183635	Pulley Assy, 6GR3V4.75 (w/ss) (Incl. Items 19 & 20)	1
19	183652	Pulley, 3V 6 Gr x 4.75 O.D.	1
20	020541	Screw, Set Soc Cup Pt .250-20UNC-.375	4

Diagram 28 - Lift Bail Group  
 Diagrama 28 - Grupo de estribo elevador



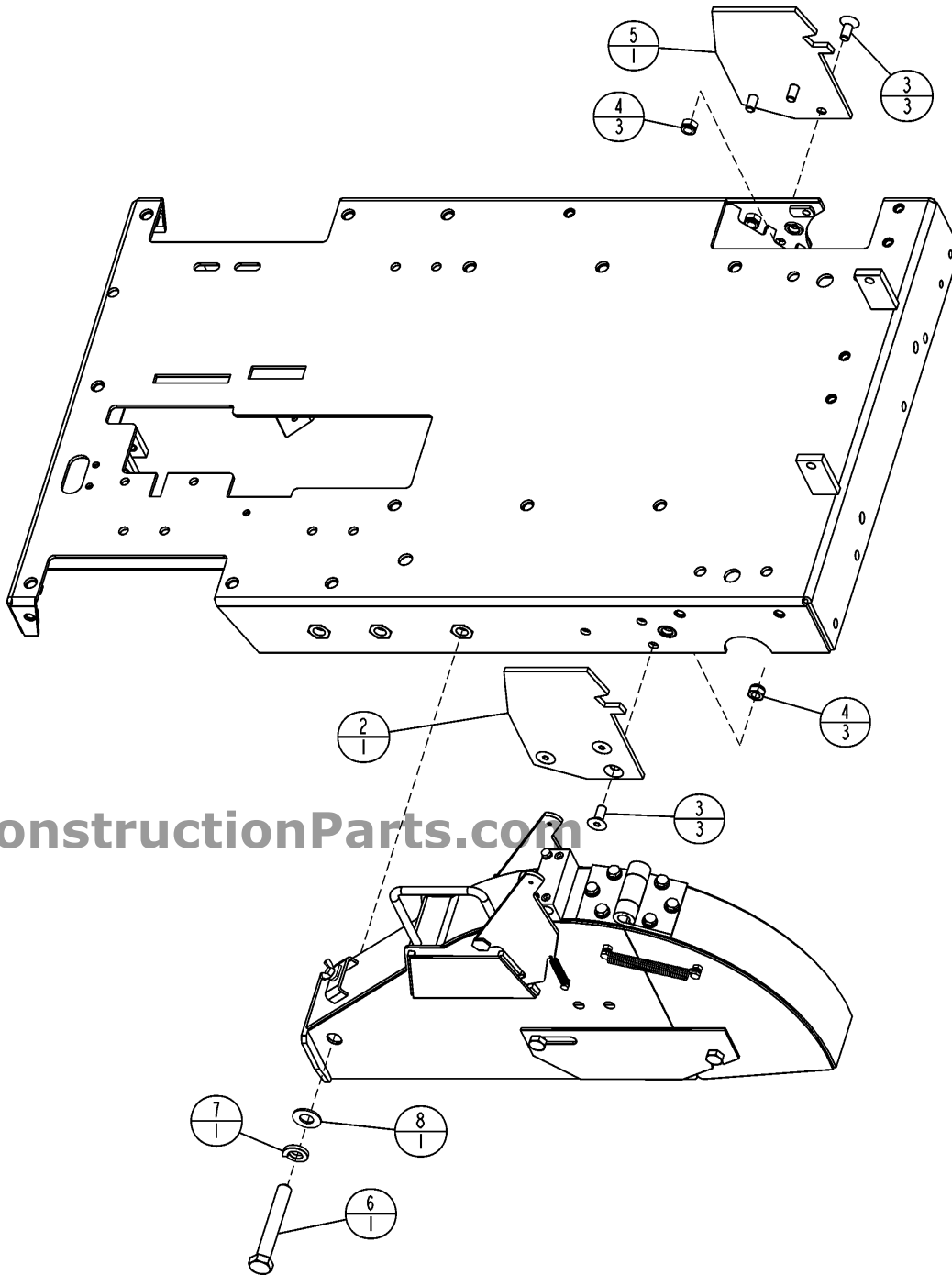
Diag Loc.	Part No.	Description	Qty. Req.
---	183817	Lift Bail Group (Complete)	1
2	183665	Lift bail Weldment	1
3	183668	Lift Bail Brace	2
4	020745	Washer, Flat .500 Dia	6
5	172495	Lockwasher, Split M12	3
6	139751	Capscrew, Hex Hd M12 x 1.75 x 25mm	1
7	139742	Locknut, Fiber M12 x 1.75	5
8	173042	Washer, Flat M12	2
9	172306	Capscrew, Hex Hd M12 x 1.75 x 40mm	7

Diagram 29 - Muffler Heat Shield Kit - Optional  
 Diagrama 29 - Juego de protector térmico del silenciador del tubo de escape - Opcional



Diag Loc.	Part No.	Description	Qty. Req.
---	191038	Muffler Heat Shield Kit	1
2	191050	Muffler Guard, 2 Cyl Deutz	1
3	163688	Capscrew, Hex Hd M6 x 1.0 x 16mm	2
4	139746	Washer, Flat M6	2
5	139745	Locknut, Fiber M6 x 1.0	2

Diagram 30 - Attach Group, Slip-On  
 Diagrama 30 - Grupo de acoplamiento, deslizable

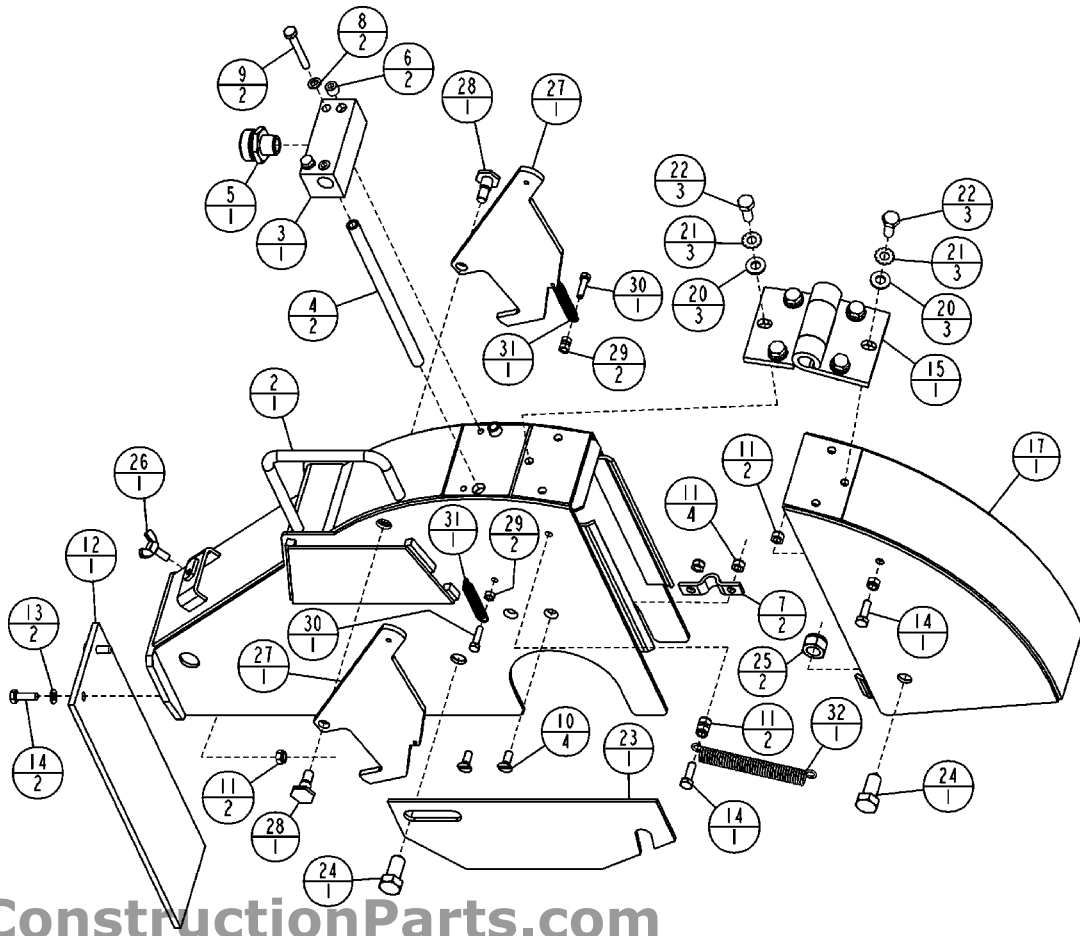


ConstructionParts.com

Diag Loc.	Part No.	Description	Qty. Req.
-	198196	Attach Group, Slip-On (Complete)	1
2	198197	Spade, RH Slip-On Guard	1
3	167491	Scapscrew, Flat Hd Soc M10 x 1.25 x 25mm	6
4	139748	Locknut, Fiber M10 x 1.50	6
5	198198	Spade, LH Slip-On Guard	1
6	166957	Capscrew, Hex Hd M16 x 2.0 x 110mm	1
7	020790	Lockwasher, Split .625 Dia	1
8	020767	Washer, Flat .625 SAE	1

ConstructionParts.com 888-634-4289

Diagram 31 - Blade Guard Assembly - 18" Slip-On, 2" Wide  
 Diagrama 31 - Ensamblaje de salvaguarda de hoja 18" Deslizable, 2" Wide



Diag Loc.	Part No.	Description	Qty. Req.
---	198163	Blade Guard Assembly, 18" (450mm) (Slip-On) (Complete)	1
2	198169	Rear Blade Guard Weldment, 18 Inch	1
3	166750	Manifold, Assembly	1
4	166986	Tube, Water, 18 Inch Blade	2
5	040275	Adapter, 3/8 NPT x Male Garden Hose	1
6	020864	Plug, Soc Hd 1/8 NPT Brass	2
7	163395	Clamp, Water Tube	2
8	163689	Lockwasher, Split M6	2
9	139759	Capscrew, Hex Hd M6 x 1.0 x 45mm	2
10	167818	Capscrew, Slot Flat Hd M6 x 1.0 x 16mm	4
11	139745	Locknut, Fiber M6 x 1.0	10
12	163275	Splash Guard	1
13	139746	Washer, Flat M6	2
14	139761	Capscrew, Hex Hd M6 x 1.0 x 20mm	4
15	166790	Hinge, Machined, 18 Inch	1
17	198170	Front Blade Guard Weldment, 18 Inch	1
18	046128	Decal, Warning (Bl'd Grd Size)	1
19	167289	Decal, Blade Direction (Small)	1
20	173059	Washer, Flat M8	6
21	173019	Lockwasher, External Tooth, M8	6
22	197227	Capscrew, Hex Hd M8 x 1.25 x 20mm	6
23	198188	Cover, Blade Shaft	1
24	139751	Capscrew, Hex Hd M12 x 1.75 x 25mm	2
25	139742	Locknut, Fiber M12 x 1.75	2
26	197170	Wing Bolt, M6 x 1.0 x 16mm	1
27	166816	Latch, Blade Guard, Slip-On	2
28	167503	Bolt, Latch Pivot M8 x 1.25	2
29	172011	Nut, Hex Hd M5 x 0.80	4
30	167761	Capscrew, Hex Hd M5 x 0.8 x 20mm	2
31	163188	Spring, .36 Inch OD x .050 Dia Wire	2
32	166813	Spring, .518 Inch Dia	1

Diagram 31a - Blade Guard Assembly - 18" (450mm) Slip-On, 3" Wide  
Diagrama 31a - Conjunto de protector de hoja - 18 pulg (450 mm) de montaje deslizante, 3" Wide

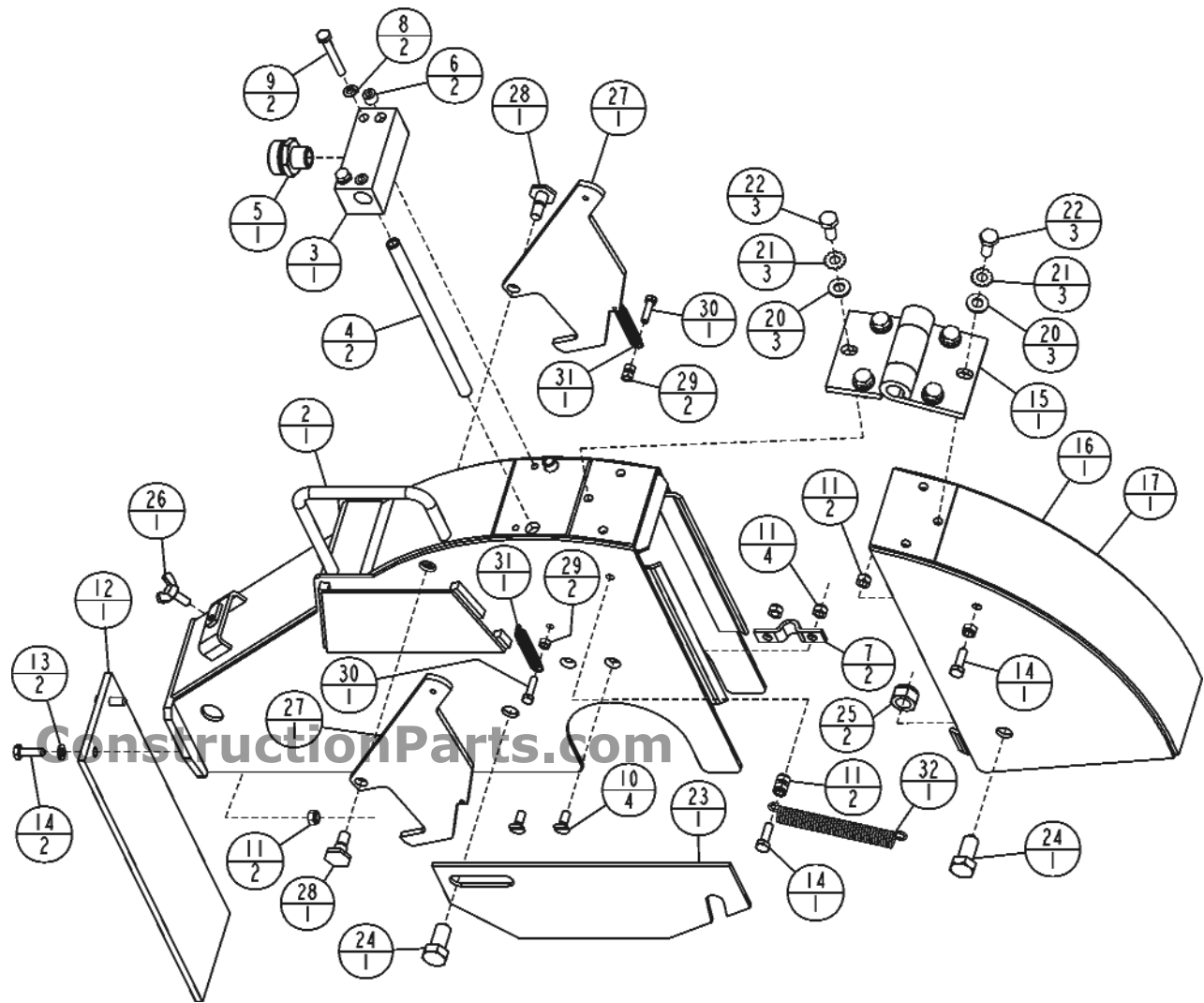
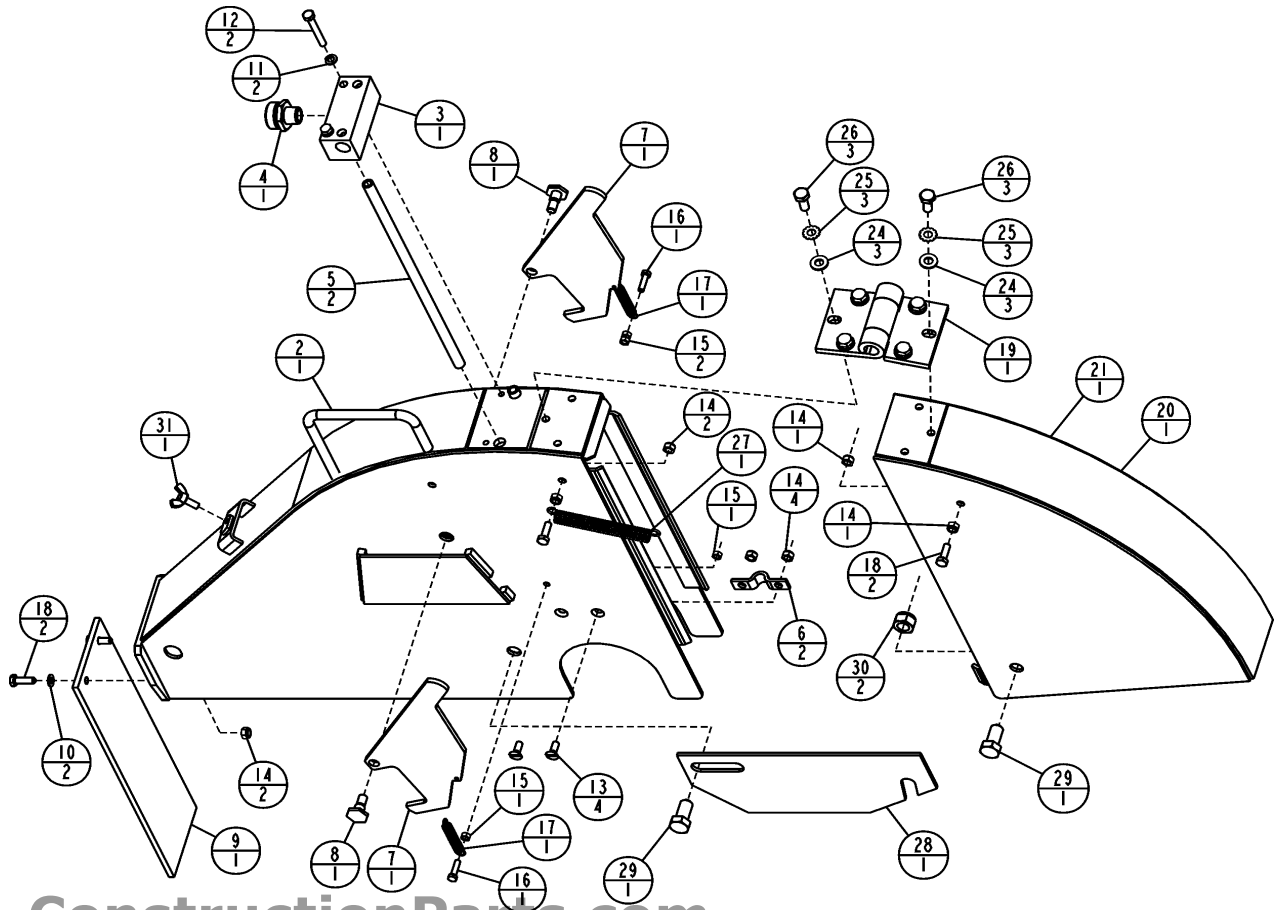


Diagram 31a - Blade Guard Assembly - 18" (450mm) Slip-On, 3" Wide  
 Diagrama 31a - Conjunto de protector de hoja - 18 pulg (450 mm) de montaje deslizante, 3" Wide

DIAG. LOC.	PART NO.	DESCRIPTION	QTY. REQ.
-	542198778	Blade Guard Assembly, 18" (450mm) (Slip On) (Complete)	1
2	542198779	Rear Blade Guard Weldment, - 18 Inch	1
3	166750	Manifold, Assembly	1
4	166986	Tube, Water, 18 Inch Blade	2
5	040275	Adapter, 3/8 NPT x Male Garden Hose	1
6	020864	Plug, Soc Hd 1/8 NPT Brass	2
7	163395	Clamp, Water Tube	2
8	163689	Lockwasher, Split M6	2
9	139759	Capscrew, Hex Hd M6 x 1.0 x 45mm	2
10	167818	Capscrew, Slot Flat Hd M6 x 1.0 x 16mm	4
11	139745	Locknut, Fiber M6 x 1.0	10
12	163275	Splash Guard	1
13	139746	Washer, Flat M6	2
14	139761	Capscrew, Hex Hd M6 x 1.0 x 20mm	4
15	166790	Hinge, Machined (18 Inch)	1
16	542198780	Blade Guard, Front - 18 Inch, w/ Decals (Incl. Items 17 - 19)	1
17	542198781	Front Blade Guard Weldment, 18 Inch	1
18	046128	Decal, Warning (Bld Grd Size)	1
19	167289	Decal, Blade Direction (Small)	1
20	173059	Washer, Flat M8	6
21	173019	Lockwasher, External Tooth, M8	6
22	197227	Capscrew, Hex Hd M8 x 1.25 x 20mm	6
23	198188	Cover, Blade Shaft	1
24	139751	Capscrew, Hex Hd M12 x 1.75 x 25mm	2
25	139742	Locknut, Fiber M12 x 1.75	2
26	197170	Wing Bolt, M6 x 1.0 x 16 mm	1
27	166816	Latch, Blade Guard, Slip-on	2
28	167503	Bolt, Latch Pivot M8 x 1.25	2
29	172011	Nut, Hex Hd M5 x 0.80	4
30	167761	Capscrew, Hex Hd M5 x 0.8 x 20mm	2
31	163188	Spring, .36 Inch OD x .050 Dia Wire	2
32	166813	Spring, .518 Inch Dia	1

Diagram 32 - Blade Guard Assembly - 26" Slip-On  
 Diagrama 32 - Ensamblaje de salvaguarda de hoja - 26" Deslizable

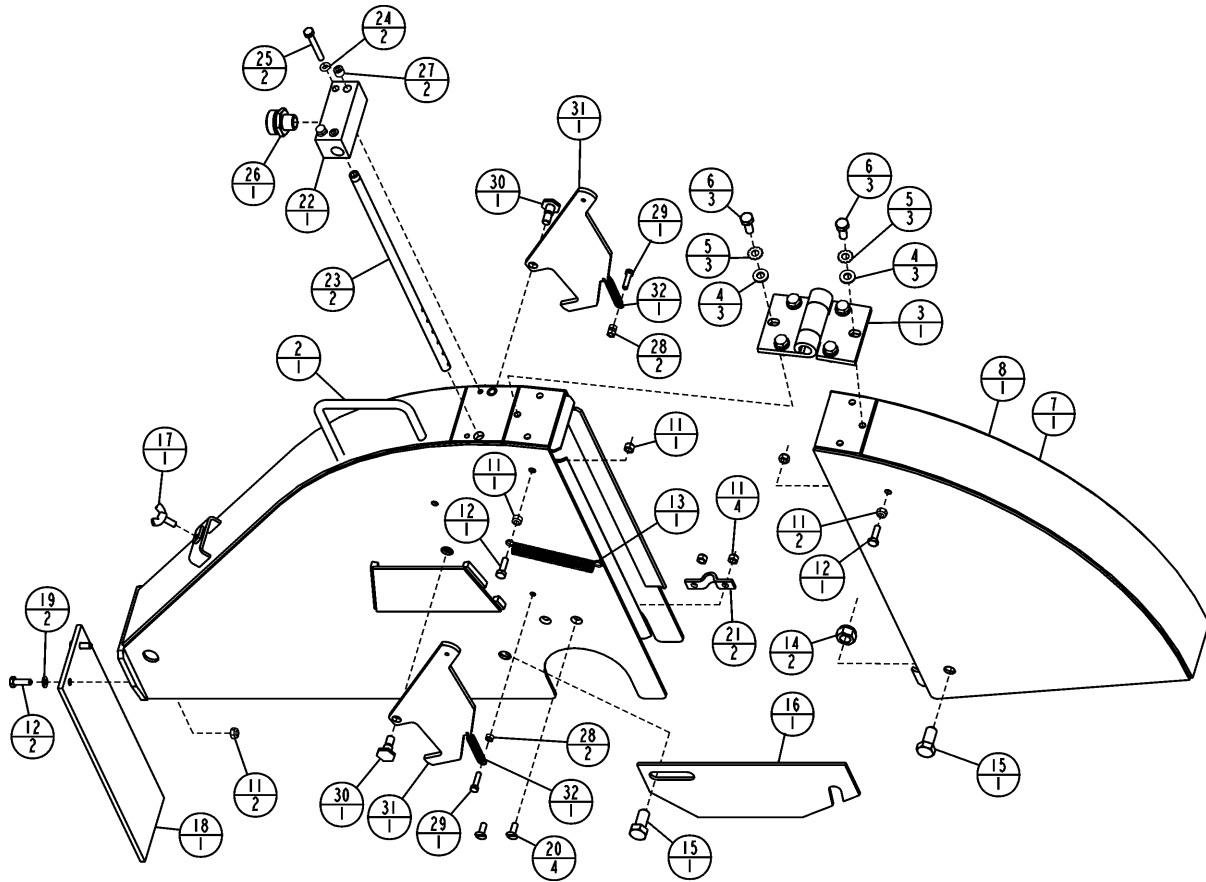


ConstructionParts.com

Diag Loc.	Part No.	Description	Qty. Req.
---	198164	Blade Guard Assembly, 26" (600mm) (Slip-On) (Complete)	1
2	198171	Blade Guard Weldment, Rear 26 Inch	1
3	166750	Manifold, Assembly	1
4	040275	Adapter, 3/8 NPT x Male Garden Hose	1
5	166985	Tube, Water, 26 Inch Blade	2
6	163395	Clamp, Water Tube	2
7	166816	Latch, Blade Guard, Slip-On	2
8	167503	Bolt, Latch Pivot M8 x 1.25	2
9	163275	Splash Guard	1
10	139746	Washer, Flat M6	2
11	163689	Lockwasher, Split M6	2
12	139759	Capscrew, Hex Hd M6 x 1.0 x 16mm	2
13	167818	Capscrew, Slot Flat Hd M6 x 1.0 x 16mm	4
14	139745	Locknut, Fiber M6 x 1.0	10
15	172011	Nut, Hex Hd M5 x 0.80	4
16	167761	Capscrew, Hex Hd M5 x 0.8 x 20mm	2
17	163188	Spring, .36 Inch OD x .050 Dia Wire	2
18	139761	Capscrew, Hex Hd M6 x 1.0 x 20mm	4
19	166790	Hinge, Machined (26 Inch)	1
20	198182	Blade Guard, Front - 26 Inch w/Decals (Incl. Items 21-23)	1
21	198172	Front Blade Guard Weldment, 26 Inch S.O.	1
22	046128	Decal, Warning (Bld Grd Size)	1
23	167289	Decal, Blade Direction (Small)	1
24	173059	Washer, Flat M8	6
25	173019	Lockwasher, External Tooth M8	6
26	197227	Capscrew, Hex Hd M8 x 1.25 x 20mm	6
27	166813	Spring, .518 Inch Dia	1
28	542198188	Cover, Blade Shaft	1
29	139751	Capscrew, Hex Hd M12 x 1.75 x 25mm	2
30	139742	Locknut, Fiber M12 x 1.75	2
31	197170	Wing Bolt, M6 x 1.0 x 16mm	1

ConstructionParts.com 888-634-4289

Diagram 33 - Blade Guard Assembly - 30" Slip-On  
 Diagrama 33 - Ensamblaje de salvaguarda de hoja - 30" Deslizable



ConstructionParts.com

Diag. Loc.	Part No.	Description	Qty. Req.
--	198165	Blade Guard Assembly, 30" (750mm) (Slip-On) (Complete)	1
2	166802	Rear Blade Guard Weldment, 30 Inch (Slip-On)	1
3	166790	Hinge, Machined 30 Inch (Slip-On)	1
4	173059	Washer, Flat M8	6
5	173019	Lockwasher, External Tooth, M8	6
6	197227	Capscrew, Hex Hd M8 x 1.25 x 20mm	6
7	198183	Front Blade Guard, w/Decals (Incl. Items 8-10)	1
8	198174	Front Blade Guard Weldment, 30 nch (Slip-On)	1
9	167289	Decal, Blade Direction (Small)	1
10	046128	Decal, Warning (Bld Grd Size)	1
11	139745	Locknut, Fiber M6 x 1.0	10
12	139761	Capscrew, Hex Hd M6 x 1.0 x 20mm	4
13	166813	Spring, .518 Inch Dia	1
14	139742	Locknut, Fiber M12 x 1.75	2
15	139751	Capscrew, Hex Hd M12 x 1.75 x 25mm	2
16	166818	Cover, Blade Shaft	1
17	197170	Wing Bolt, M6 x 1.0 x 16mm	1
18	163275	Splash Guard	1
19	139746	Washer, Flat M6	2
20	167818	Capscrew, Slot Flat Hd M6 x 1.0 x 16mm	4
21	163395	Clamp, Water Tube	2
22	166750	Manifold, Assembly	1
23	166815	Water Tube Assy, 30 Inch (Slip-On)	2
24	163689	Lockwasher, Split M6	2
25	139759	Capscrew, Hex Hd M6 x 1.0 x 45mm	2
26	040275	Adapter, 3/8 NPT x Male Garden Hose	1
27	020864	Plug, Soc Hd 1.8 NPT Brass	2
28	172011	Nut, Hex Hd M5 x 0.80	4
29	167761	Capscrew, Hex Hd M5 x 0.8 x 20mm	2
30	167503	Bolt, Latch Pivot M8 x 1.25	2
31	166816	Latch, Blade Guard, Slip-On	2
32	163188	Spring, .36 Inch OD x .050 Dia Wire	2

ConstructionParts.com 888-634-4289