

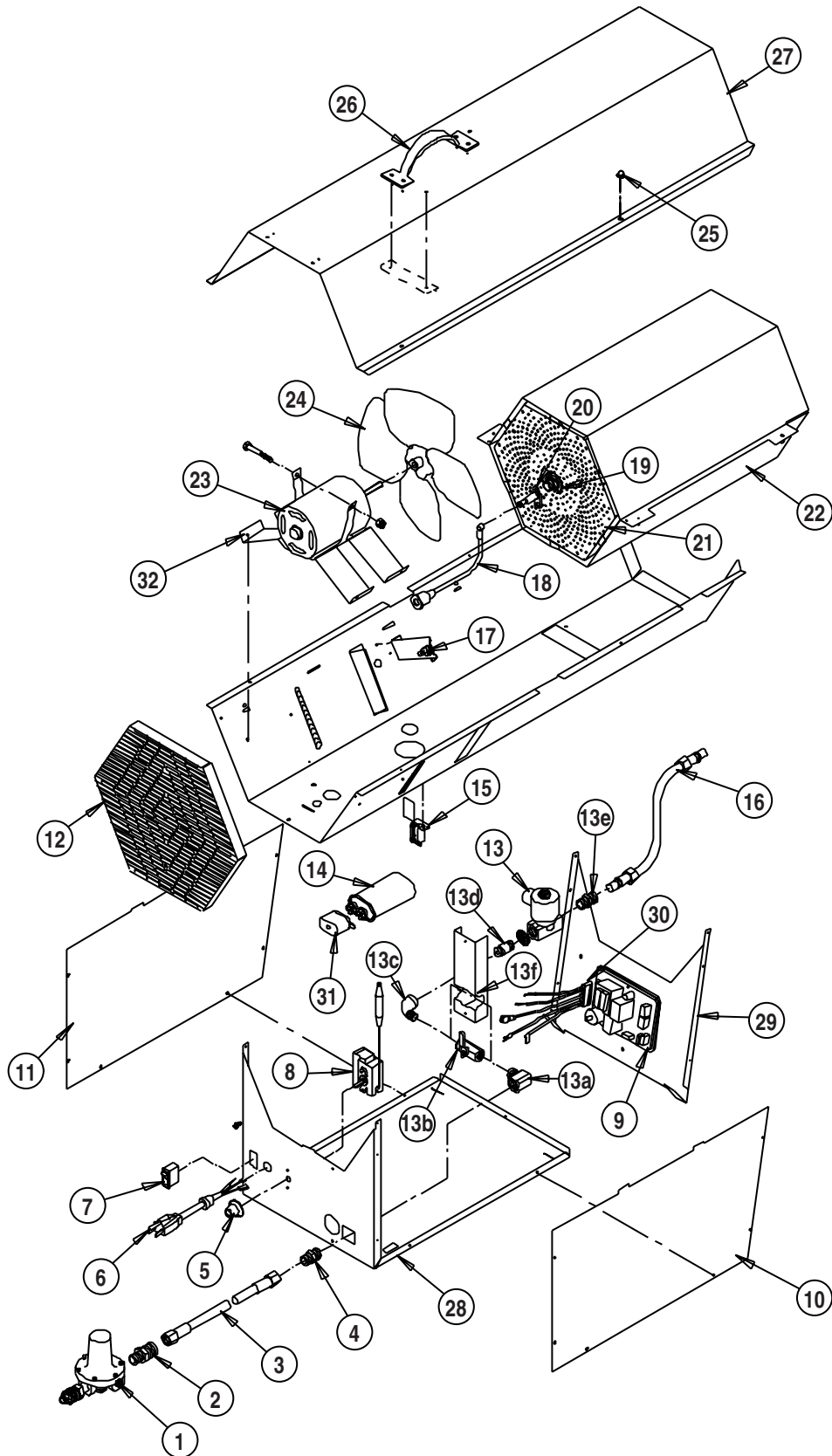


TRADESMAN

Portable Forced Air Heaters

Portable Forced Air Heaters

MODELS 304D & CP400A



Portable Forced Air Heaters



PARTS IDENTIFICATION

Item	Description	Model	
		304D	CP400A
1	Regulator	-----400-08997-----	
2	Adapter, Hose 1/4 NPT x 1/2 NPS	-----310-06771-----	
3	Hose	-----400-20243-----	
4	Adapter, Hose 3/8 NPT x 1/2 NPS	-----310-03536-----	
5	Knob, Thermostat	-----130-04805-----	
6	Power Cord	-----120-05795-----	
7	Switch, On/Off	-----120-03834-----	
8	Thermostat	-----550-05829-----	
9	Control, Ignition	-----550-07324-----	
10	Case Panel, Right Side	-----271-08017-----	
11	Case Panel, Left Side	-----271-08016-----	
12	Air Inlet Guard	-----225-06307-----	
13	Solenoid Valve Assembly (Includes Solenoid Valve Throttle Valve & Piping)	-----400-08023-----	
13A	Ell, Brass	-----130-08011-----	
13B	Valve, Throttle	-----130-06871-----	
13C	Ell, Black Pipe	-----130-01175-----	
13D	Nipple	-----130-02421-----	
13E	Union	-----130-08894-----	
13F	Bracket	-----225-08010-----	
13G	Solenoid Valve	-----400-08022-----	
14	Capacitor	-----120-04720-----	
15	Switch, Air Proving w/ Bracket	-----400-06739-----	
16	Tube, Manifold w/ Compression Nuts	-----550-08029-----	
17	Switch, Backflash w/ Bracket	-----400-06664-----	
18	Wire Igniter	-----120-20409-----	
19	Orifice, Burner w/ Retaining Rings	550-06715	550-20410
20	Igniter	-----500-20312-----	
21	Burner Plate	-----260-06314-----	
22	Combustion Chamber	-----400-08051-----	
23	Motor	-----120-04719-----	
24	Fan	-----130-06697-----	
25	Acorn Nut	-----130-03938-----	
26	Handle	-----550-03941-----	
27	Case, Top	-----271-08013-----	
28	Case, Bottom & Back	-----271-08014-----	
29	Case, Front	-----271-08015-----	
30	Wire Harness	-----120-07028-----	
31	Capacitor Boot	-----120-24938-----	
32	Mount, Motor w/ Bolt	-----260-06717-----	