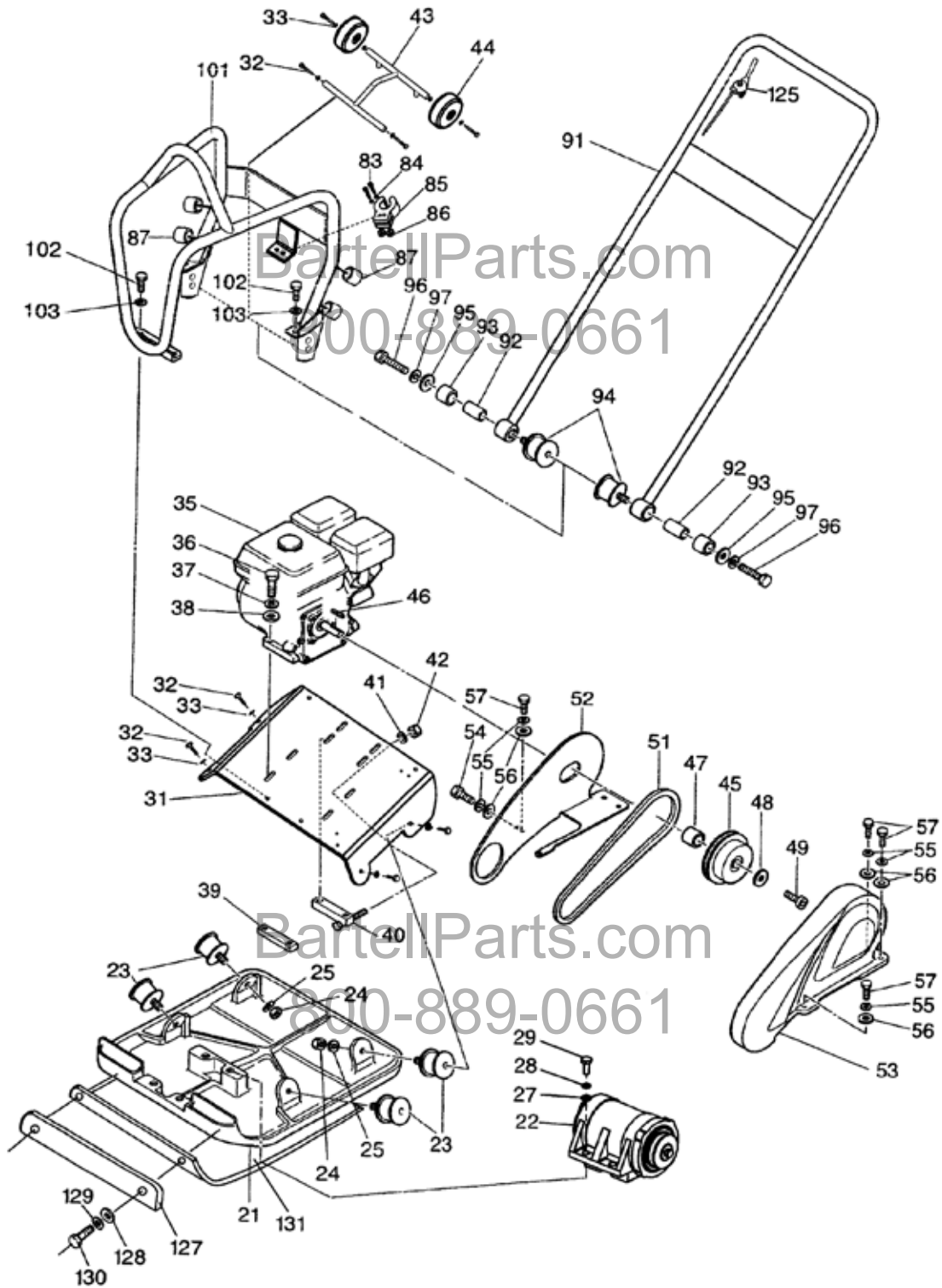


PARTS LIST 1

B200

GENERAL ASSEMBLY



PARTS LIST 1

B200

GENERAL ASSEMBLY

ITEM NO.	PART NO.	DESCRIPTION	QTY.	REMARK
21	60811	BASE PLATE	1	rev 00 - 04/2011
22	60855	EXCITER ASSEMBLY	1	rev 01 - 09/2011
23	60813	VIBRATION MOUNT	4	rev 00 - 04/2011
24	60835	HEX NUT, M10	4	rev 00 - 04/2011
25	11621	WASHER, LOCK, M10	4	rev 00 - 04/2011
27	60831	WASHER, FLAT, M10	4	rev 00 - 04/2011
28	60832	WASHER, LOCK, M10	4	rev 00 - 04/2011
29	60830	HHCS, M16 x 40	4	rev 00 - 04/2011
31	60814	BRIDGE	1	rev 00 - 04/2011
32	60833	HHCS, M10 x 30	4	rev 00 - 04/2011
33	11621	WASHER, LOCK, M10	4	rev 00 - 04/2011
35	21333 21386 21388	HONDA, GX160 ENGINE VANGUARD, 6.5HP ENGINE HONDA GC160 ENGINE	1 1 1	rev 00 - 04/2011
36	10453	HHCS, M8 X 50	4	rev 00 - 04/2011
37	10998	WASHER, LOCK, M8	4	rev 00 - 04/2011
38	11000	WASHER, FLAT, M8	4	rev 00 - 04/2011
39	60815	ENGINE NUT, FRONT	1	rev 00 - 04/2011
40	60816	ENGINE NUT, REAR	1	rev 00 - 04/2011
41	30818	WASHER, FLAT, M8	1	rev 00 - 04/2011
42	11617	HEX NUT, LOCK, M8	1	rev 00 - 04/2011
43	60817	TRANSPORTER FRAME	1	rev 00 - 04/2011
44	60818	TRANSPORTER WHEEL	2	rev 00 - 04/2011
45	60819	CLUTCH	1	rev 00 - 04/2011
46	10206	KEY	1	rev 00 - 04/2011
47	11254	CLUTCH SPACER	1	rev 00 - 04/2011
48	30042	RETAINING WASHER	1	rev 01 - 09/2011
49	11256	FHSCS, 5/16-24 x 1"LG	1	rev 01 - 09/2011
50	N/R		1	rev 01 - 09/2011
51	60820 30024 30195 30024	V-BELT, AX32 V-BELT, AX33 V-BELT, AX34 V-BELT, AX33	1	rev 00 - 04/2011 rev 01 - 05/2012 rev 02 - 05/2013 As of Serial # 130007 and up.
52	60821	BELT GUARD BRACKET	1	rev 00 - 04/2011
53	60822	BELT GUARD	1	rev 00 - 04/2011
54	10999	HHCS, M8 X 20	1	rev 00 - 04/2011

PARTS LIST 1

B200

GENERAL ASSEMBLY - CONT.

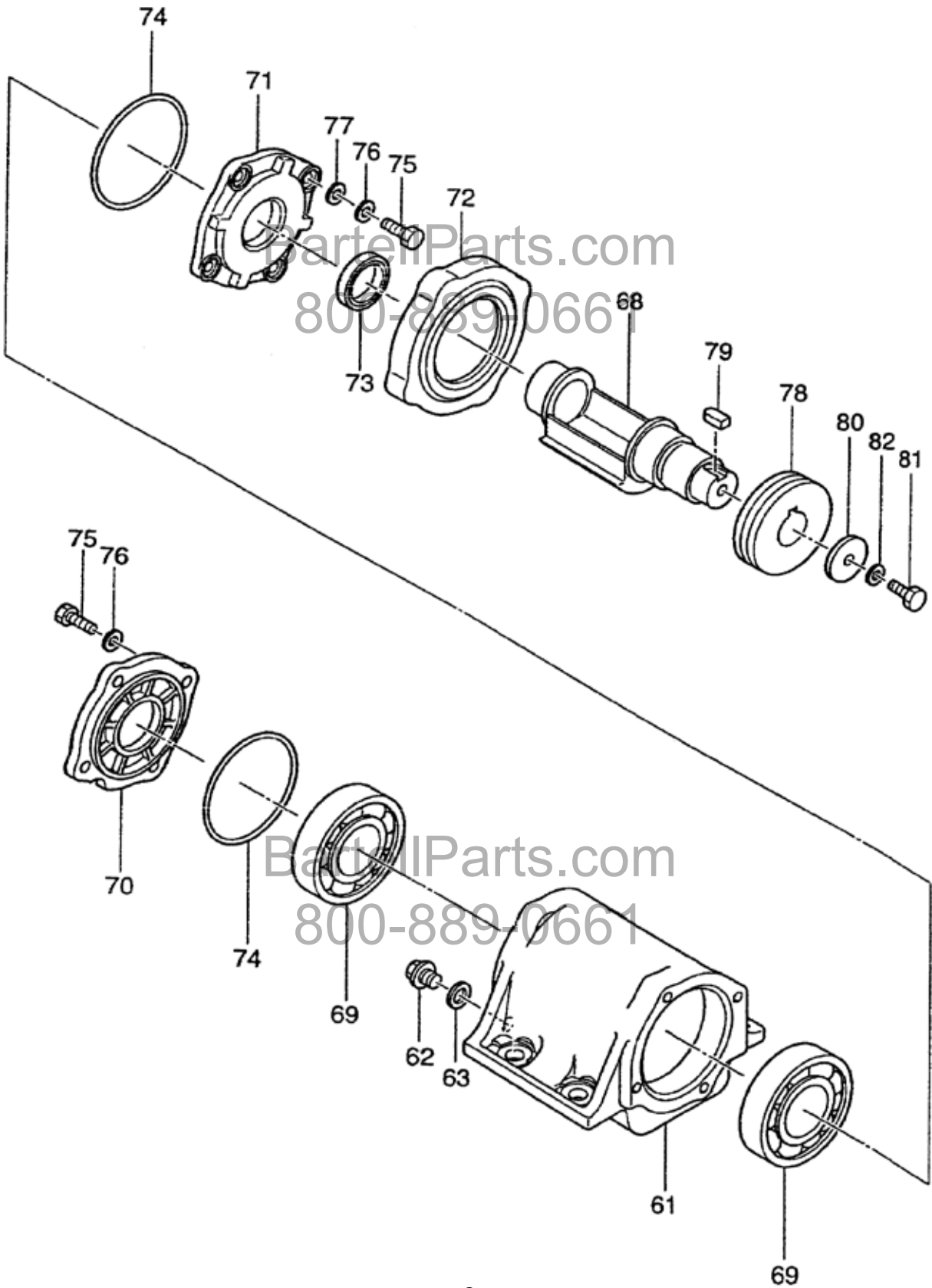
55	10998	WASHER, LOCK, M8	5	rev 00 - 04/2011
56	11000	WASHER, FLAT, M8	5	rev 00 - 04/2011
57	11619	HHCS, M8 x25	4	rev 00 - 04/2011
83	11635	HHCS, M6 x 30	2	rev 00 - 04/2011
84	14447	WASHER, FLAT, M6	2	rev 00 - 04/2011
85	60823	RUBBER CLAMP	1	rev 00 - 04/2011
86	10069	HEX NUT, M6	2	rev 00 - 04/2011
87	60824	VIBRATION PAD	4	rev 00 - 04/2011
91	60825	HANDLE	1	rev 00 - 04/2011
92	60826	BUSHING	2	rev 00 - 04/2011
93	60827	VIBRATION ISOLATOR	2	rev 00 - 04/2011
94	60828	VIBRATION MOUNT	2	rev 00 - 04/2011
95	10993	WASHER, FLAT, M12	2	rev 00 - 04/2011
96	60836	HHCS, M12 x 65	2	rev 00 - 04/2011
97	10735	WASHER, LOCK, M12	2	rev 00 - 04/2011
101	60829	ROLL CAGE	1	rev 00 - 04/2011
102	14602	HHCS, M10 x 25	4	rev 00 - 04/2011
103	11621	WASHER, LOCK, M10	4	rev 00 - 04/2011
125	60854	THROTTLE LEVER & CABLE	1	rev 01 - 09/2011
127	60860	CLAMP BAR	1	OPTIONAL
128	31177	WASHER, FLAT, M10	2	OPTIONAL
129	11621	WASHER, LOCK, M10	2	OPTIONAL
130	14997	HHCS, M10 x 45	2	OPTIONAL
131	60861	URETHANE MAT	1	OPTIONAL

BartellParts.com
800-889-0661

PARTS LIST 2

B200

EXCITER ASSEMBLY



PARTS LIST 2

B200

EXCITER ASSEMBLY - 60855

ITEM NO.	PART NO.	DESCRIPTION	QTY.	REMARK
61	60837	EXCITER HOUSING	1	rev 00 - 04/2011
62	60847	PLUG	1	rev 00 - 04/2011
63	60848	PLUG SEAL RING	1	rev 00 - 04/2011
68	60838	EXCITER SHAFT	1	rev 02 - 06/2013
69	60845	BEARING	2	rev 00 - 04/2011
70	60840	END CAP, RIGHT	1	rev 00 - 04/2011
71	60839	END CAP, LEFT	1	rev 00 - 04/2011
72	60841	END COVER	1	rev 00 - 04/2011
73	60844	OIL SEAL, SHAFT	1	rev 00 - 04/2011
74	60843	O-RING	2	rev 00 - 04/2011
75	11619	HHCS, M8 X 25MM	8	rev 00 - 04/2011
76	10998	WASHER, LOCK, M8	8	rev 00 - 04/2011
77	11000	WASHER, FLAT, M8	8	rev 00 - 04/2011
78	60842	SHEAVE	1	rev 00 - 04/2011
79	60846	KEY, EXCITER SHAFT	1	rev 00 - 04/2011
80	14998	RETAINING WASHER	1	rev 00 - 04/2011
81	13348	HHCS, M10 X 25MM	1	rev 01 - 09/2011
82	11621	WASHER, LOCK, M10	1	rev 01 - 09/2011

BartellParts.com
800-889-0661