

PARTS MANUAL



**WHISPERWATT™ SERIES
MODEL DCA45SSIU4FC8
60Hz GENERATOR
(ISUZU 4LE2X DIESEL ENGINE)**

PARTS LIST NO. M1871300904

Revision #0 (04/13/22)



THIS MANUAL MUST ACCOMPANY THE EQUIPMENT AT ALL TIMES.

DCA45SSIU4FC8 60 Hz Generator

Explanation Of Code In Remarks Column.....	4
Suggested Spare Parts	5

Component Drawings

Generator Assembly	6–7
Control Panel Assembly	8–9
Control Box 1 Assembly	10–13
Control Box 2 Assembly	14–15
Engine And Radiator Assembly.....	16–19
Output Terminal Assembly.....	20–23
Battery Assembly.....	24–25
Muffler Assembly	26–27
Fuel Tank Assembly.....	28–29
Enclosure Assembly	30–35
Rubber Seals Assembly	36–37
Battery Charger Assembly (Option).....	38–39
Engine Block Heater Assembly (Option)	40–41
Nameplate And Decals Assembly	42–43

NOTICE

Specifications and part numbers are subject to change without notice.

EXPLANATION OF CODE IN REMARKS COLUMN

The following section explains the different symbols and remarks used in the Parts section of this manual. Use the help numbers found on the back page of the manual if there are any questions.

NOTICE

The contents and part numbers listed in the parts section are subject to change **without notice**. Multiquip does not guarantee the availability of the parts listed.

SAMPLE PARTS LIST

NO.	PART NO.	PART NAME	QTY.	REMARKS
1	12345	BOLT	1	INCLUDES ITEMS W/%
2%		WASHER, 1/4 IN.		NOT SOLD SEPARATELY
2%	12347	WASHER, 3/8 IN. ...	1	MQ-45T ONLY
3	12348	HOSE	A/R	MAKE LOCALLY
4	12349	BEARING	1	S/N 2345B AND ABOVE

NO. Column

Unique Symbols — All items with same unique symbol (@, #, +, %, or >) in the number column belong to the same assembly or kit, which is indicated by a note in the “Remarks” column.

Duplicate Item Numbers — Duplicate numbers indicate multiple part numbers, which are in effect for the same general item, such as different size saw blade guards in use or a part that has been updated on newer versions of the same machine.

NOTICE

When ordering a part that has more than one item number listed, check the remarks column for help in determining the proper part to order.

PART NO. Column

Numbers Used — Part numbers can be indicated by a number, a blank entry, or TBD.

TBD (To Be Determined) is generally used to show a part that has not been assigned a formal part number at the time of publication.

A blank entry generally indicates that the item is not sold separately or is not sold by Multiquip. Other entries will be clarified in the “Remarks” Column.

QTY. Column

Numbers Used — Item quantity can be indicated by a number, a blank entry, or A/R.

A/R (As Required) is generally used for hoses or other parts that are sold in bulk and cut to length.

A blank entry generally indicates that the item is not sold separately. Other entries will be clarified in the “Remarks” Column.

REMARKS Column

Some of the most common notes found in the “Remarks” Column are listed below. Other additional notes needed to describe the item can also be shown.

Assembly/Kit — All items on the parts list with the same unique symbol will be included when this item is purchased.

Indicated by:

“INCLUDES ITEMS W/(unique symbol)”

Serial Number Break — Used to list an effective serial number range where a particular part is used.

Indicated by:

“S/N XXXXX AND BELOW”

“S/N XXXX AND ABOVE”

“S/N XXXX TO S/N XXX”

Specific Model Number Use — Indicates that the part is used only with the specific model number or model number variant listed. It can also be used to show a part is NOT used on a specific model or model number variant.

Indicated by:

“XXXXX ONLY”

“NOT USED ON XXXX”

“Make/Obtain Locally” — Indicates that the part can be purchased at any hardware shop or made out of available items. Examples include battery cables, shims, and certain washers and nuts.

“Not Sold Separately” — Indicates that an item cannot be purchased as a separate item and is either part of an assembly/kit that can be purchased, or is not available for sale through Multiquip.

SUGGESTED SPARE PARTS

DCA45SSIU4FC8 WHISPERWATT GENERATOR WITH ISUZU 4LE2X DIESEL ENGINE

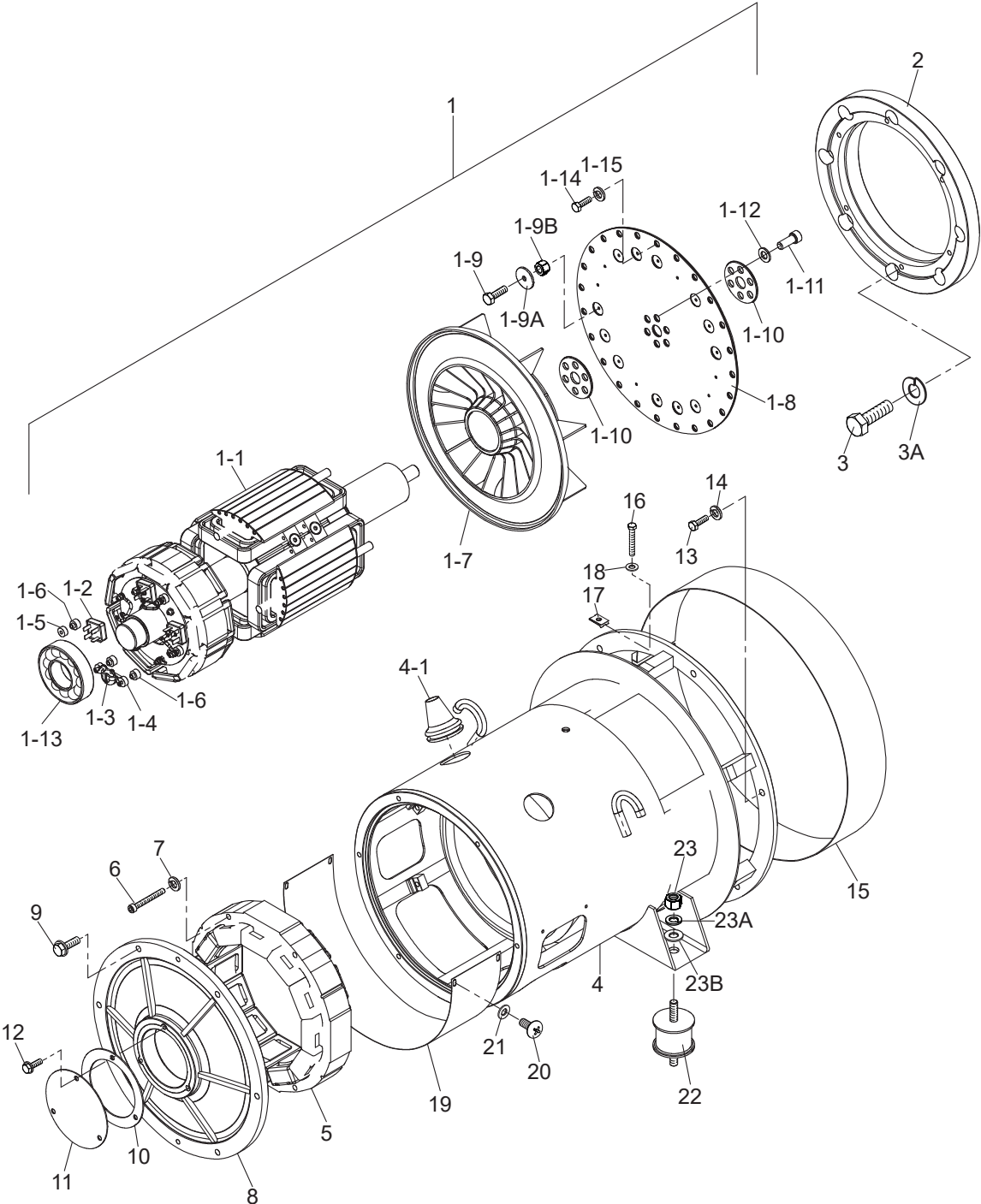
1 TO 3 UNITS

Qty.	P/N	Description
3.....	2944566410.....	ELEMENT, OIL FILTER
3.....	P822769	AIR FILTER (SAFETY)
3.....	PMAF25436.....	CARTRIDGE AIR FILTER (PRIMARY)
6.....	8982369900.....	ELEMENT, FUEL FILTER (MAIN)
6.....	8982369910.....	ELEMENT, FUEL FILTER (PRE)
6.....	8980682751.....	FILTER FUEL, FEED PUMP
1.....	Y0601806683	FUSE, 8A 250V
2.....	0601806671.....	FUSE, 15A
3.....	0601802149.....	FUSE, 10A
1.....	0601802133.....	FUSE, 5A
1.....	0601806644.....	FUSE, 30A
2.....	0601814453.....	ALARM LAMP
2.....	0601808803.....	CIRCUIT BREAKER 1P 20A
3.....	0601808804.....	CIRCUIT BREAKER 2P 50A
1.....	0605505050.....	CAP, FUEL TANK

NOTICE

Part number on this Suggested Spare Parts list may supersede/replace the P/N shown in the text pages of this book.

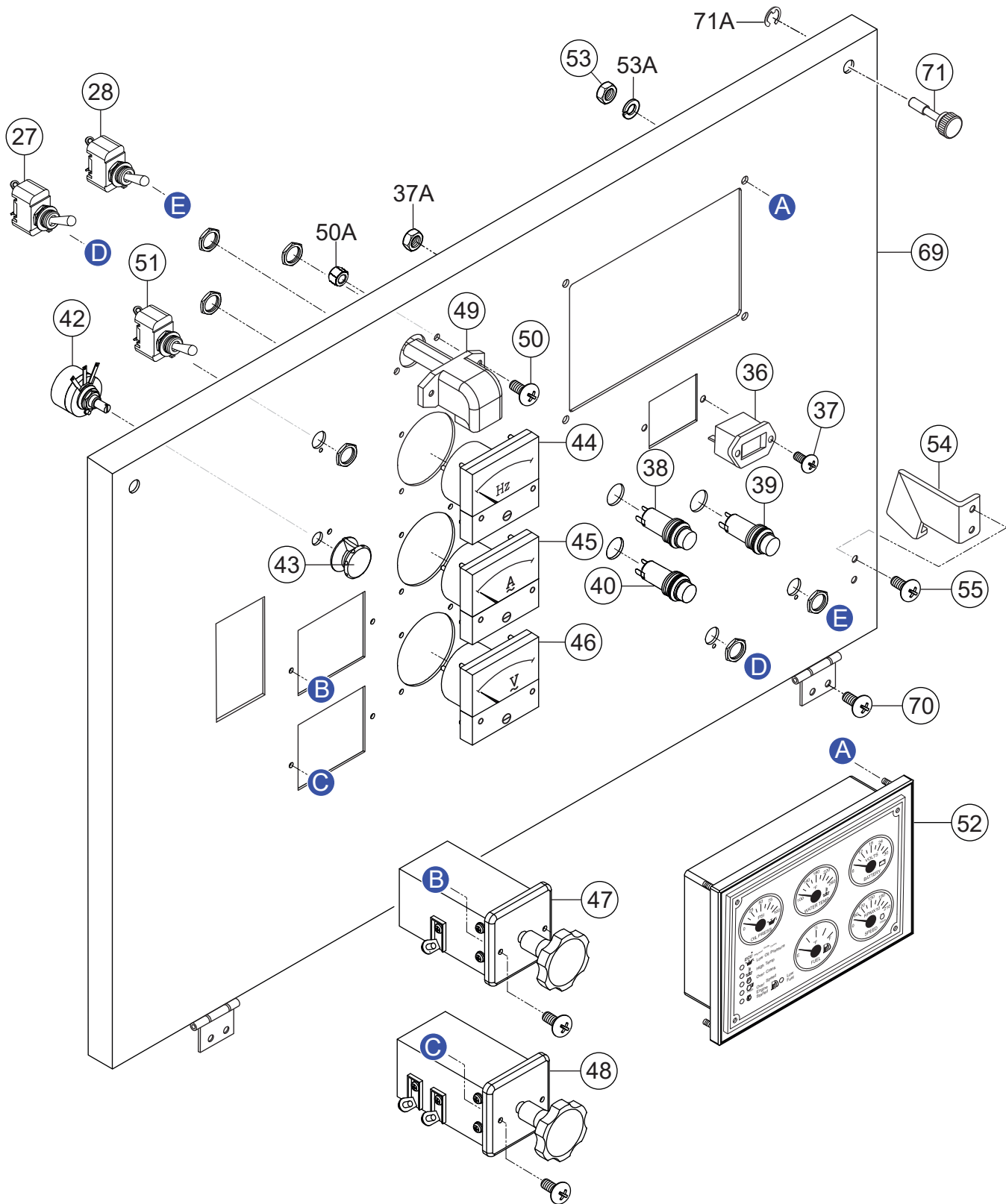
GENERATOR ASSY.



GENERATOR ASSY.

<u>NO.</u>	<u>PART NO.</u>	<u>PART NAME</u>	<u>QTY.</u>	<u>REMARKS</u>
1	B3110100702	ROTOR ASSY.	1	INCLUDES ITEMS W/\$
1-1\$		FIELD ASSY.	1	
1-2\$	0601820083	RECTIFIER, S25VB60	3	
1-3\$	0601822664	ZNR	1	
1-4\$	B3120100804	HOLDER, ZNR	1	
1-5\$	B3120100604	INSULATOR WASHER	3	
1-6\$	B3120100704	INSULATOR WASHER	5	
1-7\$	B3111100603	FAN	1	
1-8\$	B3163100204	COUPLING DISK.....	3	PURCHASE ITEM 1-9 AS A SET
1-9	Y0019104016	HEX. HEAD BOLT	1	
1-9A	B4163700004	BALANCING WEIGHT	1	
1-9B	Y0204104000	U-NUT	1	
1-10\$	B3163200104	COUPLING WASHER	2	
1-11\$	0342612030	HEX. SOCKET HEAD CAP SCREW	6	
1-12\$	0046512000	WASHER, FLAT	6	
1-13\$	0071906309	BEARING	1	
1-14	014208020	HEX. HEAD BOLT.....	6	REPLACES P/N 0010308020
1-15	0040008000	WASHER, LOCK	6	
2	M1164400203	COUPLING RING	1	
3	012210035	HEX. HEAD BOLT.....	8	REPLACES P/N 0010310035
3A	0040010000	WASHER, LOCK	8	
4	B3130101003	STATOR ASSY.	1	INCLUDES ITEMS W/#
4-1#	0845041904	GROMMET	2	
5	B3137000803	FIELD ASSY., EXCITER	1	
6	0016008060	HEX. SOCKET HEAD CAP SCREW	4	
7	0042508000	WASHER, LOCK	4	
8	B3153000513	END BRACKET	1	
9	0017108035	HEX. HEAD BOLT	6	
10	B3153400504	PACKING	1	
11	B3153400404	COVER, SUCTION	1	
12	0017106016	HEX. HEAD BOLT	3	
13	0105091025	HEX. HEAD BOLT.....	6	REPLACES P/N 0010310025
14	0040010000	WASHER, LOCK	6	
15	B3131300004	COVER, END BRACKET	1	
16	0340406040	HEX. HEAD BOLT	1	
17	020106050	NUT, USN-6001	1	REPLACES P/N 0600815000
18	952404470	WASHER, FLAT	1	REPLACES P/N 0041206000
19	B3131300804	COVER, END BRACKET	1	
20	0029205012	MACHINE SCREW	4	
21	0401450050	WASHER, FLAT	4	REPLACES P/N 0041205000
22	Y0605000407	RUBBER SUSPENSION	2	
23	0030012000	HEX. NUT	2	
23A	0040012000	WASHER, LOCK	2	
23B	031112230	WASHER, FLAT	2	REPLACES P/N 0041212000

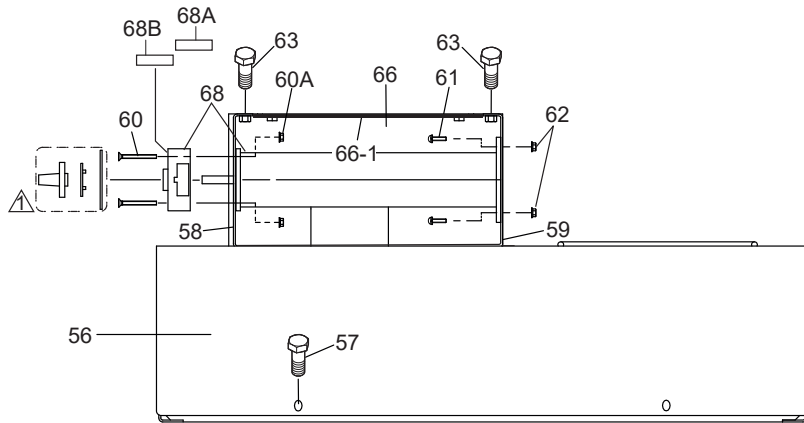
CONTROL PANEL ASSY.



CONTROL PANEL ASSY.

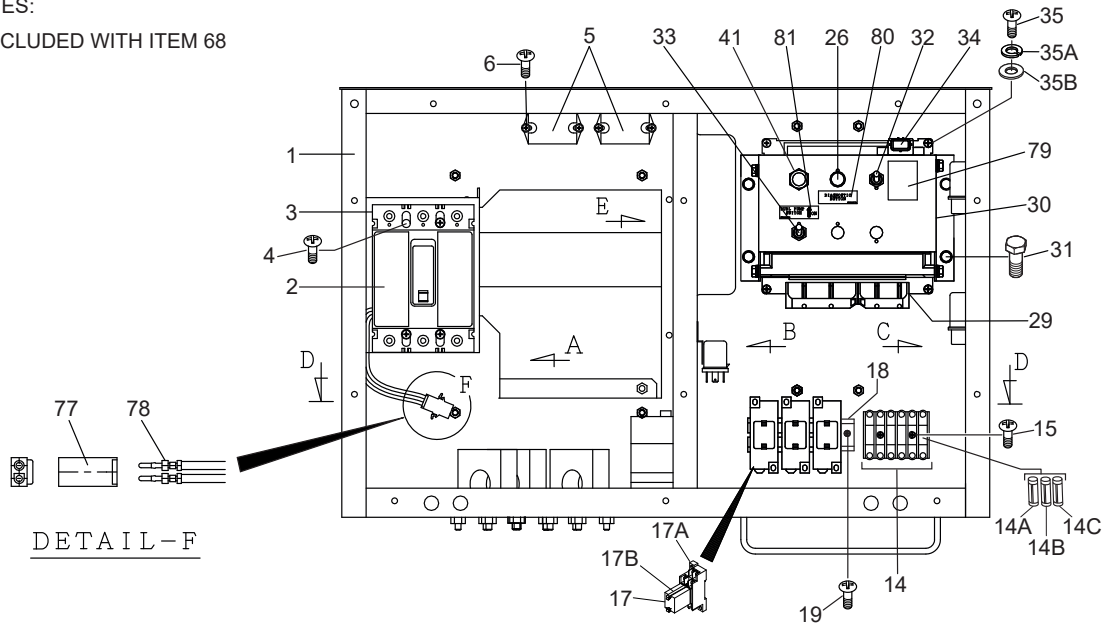
<u>NO.</u>	<u>PART NO.</u>	<u>PART NAME</u>	<u>QTY.</u>	<u>REMARKS</u>
27	82608	AUTO START/STOP SWITCH	1	REPLACES P/N 0601831340
28	0601830710	ENGINE SPEED SWITCH	1	
36	0601800682	HOUR METER #82014	1	
37	0027103015	MACHINE SCREW	2	
37A	0207003000	SELF-LOCKING NUT	2	
38	Y0601814453	FUEL LEAK DETECTED ALARM LAMP	1	
39	Y0601814453	PREHEAT LAMP	1	
40	Y0601814453	WARNING LAMP	1	INCLUDES ITEM W/%
42	0601840073	RHEOSTAT (VR) 2W 1K Ω	1	
43	0601840100	KNOB, 25N	1	REPLACES P/N 0601840121
44	0601807641	FREQUENCY METER 45~65HZ 240V	1	
45	0601808986	AC AMMETER, 0~75A, 0~150A/5A	1	
46	0601806859	AC VOLTMETER, 0~600V	1	
47	0601801040	CHANGE-OVER SW., AMMETER, SL-2AS	1	
48	0601801041	CHANGE-OVER SW., VOLTMETER, SL-2VS	1	
49	Y0601810170	PANEL LIGHT, 12V	1	
50	0027104020	MACHINE SCREW	2	
50A	OEMAA8	SELF-LOCKING NUT	2	REPLACES P/N 0207004000
51	0601830710	PANEL LIGHT SWITCH	1	
52	Y0602203074	CONTROLLER, ECU-754	1	
53	Y0206707000	HEX. NUT	4	
53A	Y0044807000	WASHER, LOCK	4	
54	M1224100104	STOPPER	1	
55	0027105015	MACHINE SCREW	2	
69	M1224000203	CONTROL PANEL	1	
70	0027105010	MACHINE SCREW	4	
71	M9220100004	SET SCREW	2	
71A	0080200007	E-SNAP RING	2	

CONTROL BOX 1 ASSY.

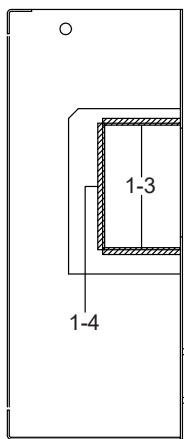


NOTES:

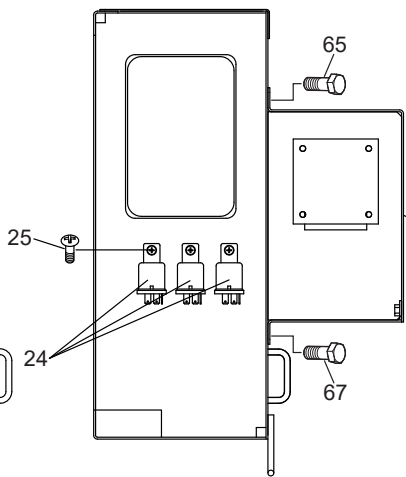
△ INCLUDED WITH ITEM 68



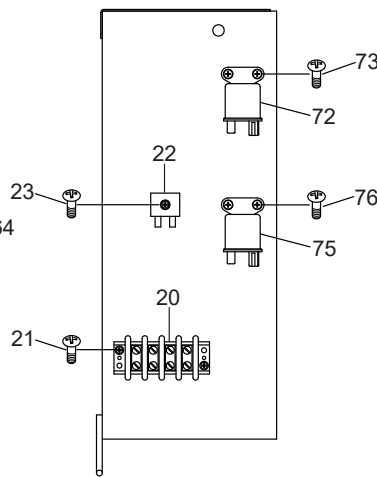
DETAIL-F



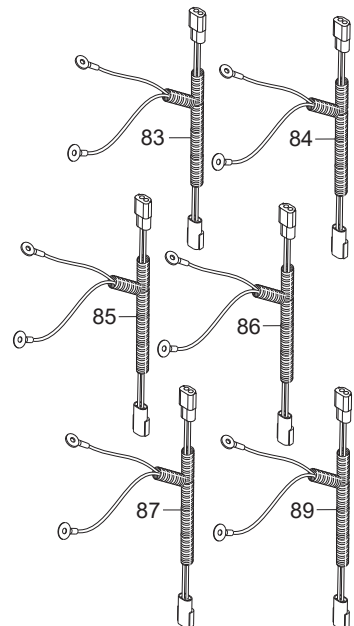
VIEW-A



VIEW-B



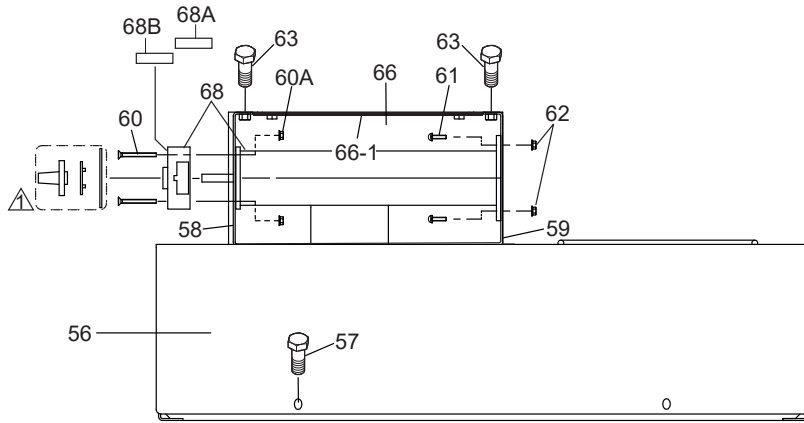
VIEW-C



CONTROL BOX 1 ASSY.

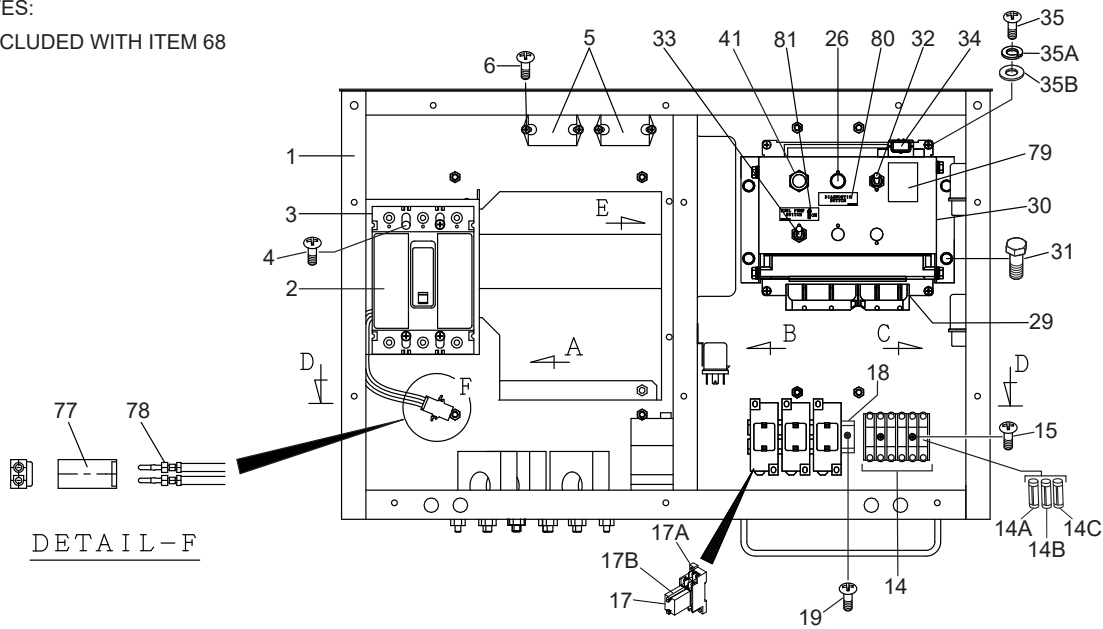
<u>NO.</u>	<u>PART NO.</u>	<u>PART NAME</u>	<u>QTY.</u>	<u>REMARKS</u>
1	M1214000412	CONTROL BOX	1	
1-3	Y0411100080	EDGING	2	
1-4	Y0411100130	EDGING	1	
2	0601870431	CIRCUIT BREAKER, 3P 110A	1	
3	0601870490	END CAP KIT	2	
4	0021004040	MACHINE SCREW	4	
5	0601823863	RELAY UNIT	2	
6	7538070	MACHINE SCREW	4.....	REPLACES P/N 0027104015
14	0601802218	HOLDER, FUSE	2.....	REPLACES P/N Y0601802214
14A	0601806671	FUSE, 15A	2	
14B	0601802149	FUSE, 10A	3	
14C	0601802133	FUSE, 5A	1	
15	0027103015	MACHINE SCREW	2	
17	LY2DUS12VDC	RELAY	3.....	REPLACES P/N 0601827656
17A	PTF08A	BASE	3.....	REPLACES P/N 0601823109
17B	PYCA1	CLIP	6.....	REPLACES P/N 0601824400
18	Y0290000100	MOUNTING RAIL	1	
19	0027104010	MACHINE SCREW	2	
20	0601815153	TERMINAL BLOCK	1	
21	7538070	MACHINE SCREW	2.....	REPLACES P/N 0027104015
22	0601821370	RECTIFIER	2.....	REPLACES P/N 0601823240
23	0027104030	MACHINE SCREW	1	
24	5825500290	RELAY	3.....	REPLACES P/N 0602201400
25	0027105010	MACHINE SCREW	3	
26	0601831205	PUSH BUTTON SWITCH	1	
29	8975062140	ENGINE CONTROLLER (ECM)	1.....	REPLACES P/N 8982460530
30	M1214600204	CONTROLLER BRACKET	1	
31	011106015	HEX. HEAD BOLT	8.....	REPLACES P/N 0016906015
32	0601830710	DIAGNOSTIC SWITCH	1	
33	0601830762	FUEL PUMP SWITCH	1	
34	8972177780	BAROMETRIC PRESSURE SENSOR	1.....	REPLACES P/N 0602130220
35	0021005020	MACHINE SCREW	2	
35A	0032005000	WASHER, LOCK.....	2.....	REPLACES P/N 0040005000
35B	58151	WASHER, FLAT	2.....	REPLACES P/N 0041205000
41	Y0601814453	ALARM LAMP	1	
56	M1213500704	CONTROL BOX COVER	1	
57	011106015	HEX. HEAD BOLT	4.....	REPLACES P/N 0016906015
58	M1213601104	SWITCH BRACKET	1	
59	M1213601204	SWITCH BRACKET	1	
60	0021104035	MACHINE SCREW	4	
60A	OEMAA8	SELF-LOCKING NUT	4.....	REPLACES P/N 0207004000
61	7538070	MACHINE SCREW	4.....	REPLACES P/N 0027104015
62	OEMAA8	SELF-LOCKING NUT	4.....	REPLACES P/N 0207004000
63	011106015	HEX. HEAD BOLT	8.....	REPLACES P/N 0016906015
64	M1213602604	SWITCH COVER	1	
65	011106015	HEX. HEAD BOLT	4.....	REPLACES P/N 0016906015

CONTROL BOX 1 ASSY. (CONT'D.)

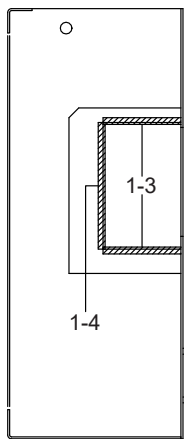


NOTES:

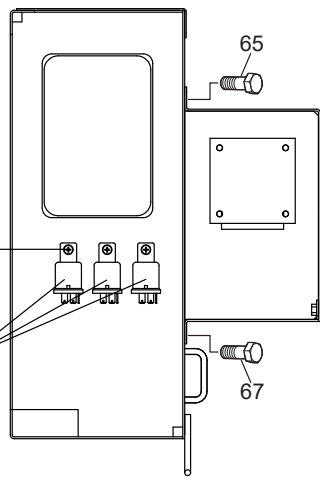
△ INCLUDED WITH ITEM 28



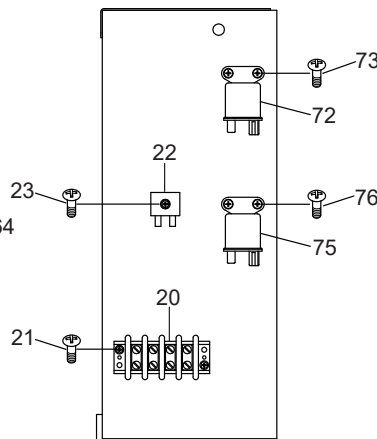
DETAIL - F



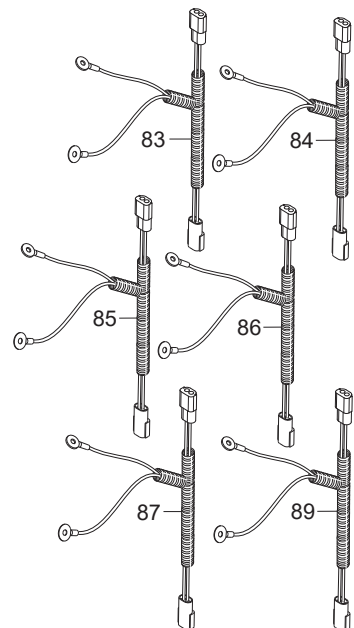
VIEW-A



VIEW-B



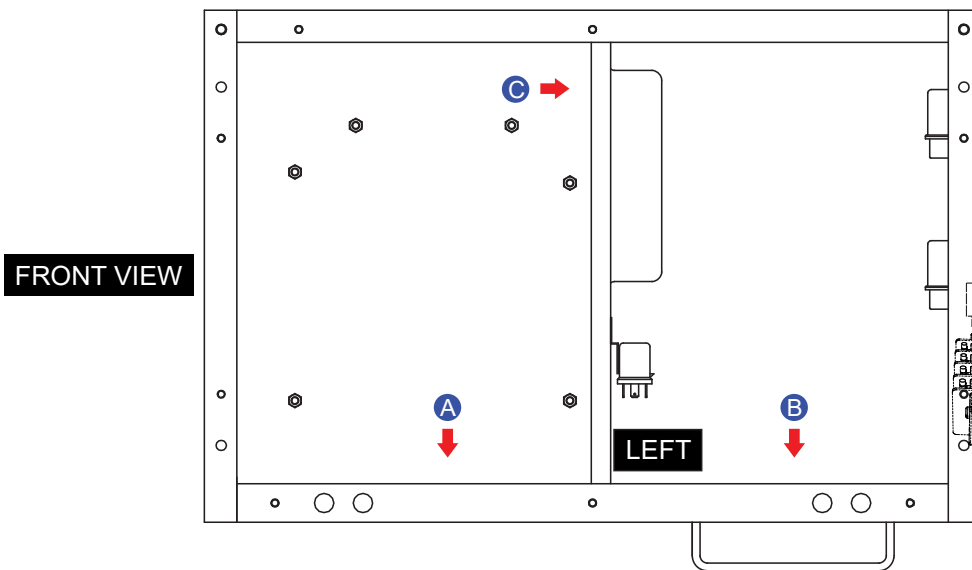
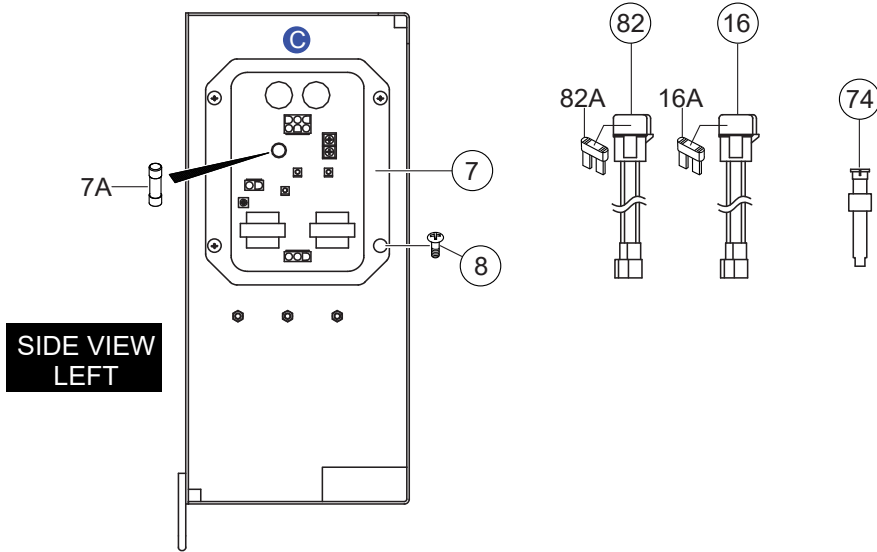
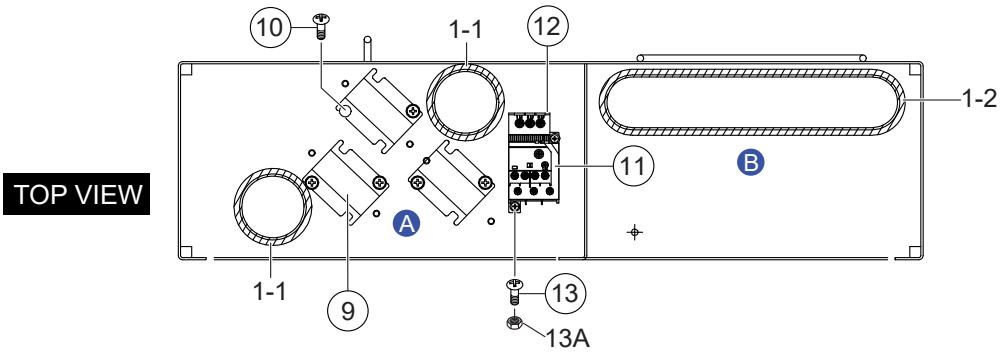
VIEW-C



CONTROL BOX 1 ASSY. (CONT'D.)

<u>NO.</u>	<u>PART NO.</u>	<u>PART NAME</u>	<u>QTY.</u>	<u>REMARKS</u>
66	M1213602704	SWITCH COVER	1	
66-1	0317700180	WEATHER STRIP	1	
67	011106015	HEX. HEAD BOLT.....	4.....	REPLACES P/N 0016906015
68	M1270100204	SELECTOR SWITCH	1	
68A	M1550003104	DECAL: SELECTOR SWITCH NUMBER.....	1.....	M15000310
68B	M1550003204	DECAL: SELECTOR SWITCH NUMBER.....	1.....	M15000320
72	8944001061	RELAY, STARTER.....	1.....	REPLACES P/N 8942481610
73	0027105010	MACHINE SCREW	2	
75	8970119490	GLOW PLUG RELAY.....	1.....	REPLACES P/N 0602202685
76	0027105010	MACHINE SCREW	2	
77	0601812626	PLUG	1	
78	0601812712	PINS (MALE)	2	
79	M9520000904	DECAL: DIAGNOSTIC SWITCH.....	1.....	M92000090
80	M9520001104	DECAL: DIAGNOSTIC BUTTON.....	1.....	M92000110
81	M9520002104	DECAL: FUEL PUMP SWITCH.....	1.....	M92000210
83	M1247700714	WIRE HARNESS, GENERATOR	1	
84	M1358201712	WIRE HARNESS, ENGINE	1	
85	M1358200302	WIRE HARNESS, CONTROLLER	1	
86	M1358202204	WIRE HARNESS, PRESSURE SWITCH	1	
87	8983346930	WIRE HARNESS, PCV HEATER.....	1.....	REPLACES P/N 0602044311
89	M1358203304	WIRE HARNESS, FUEL LEAK/SENDER	1	

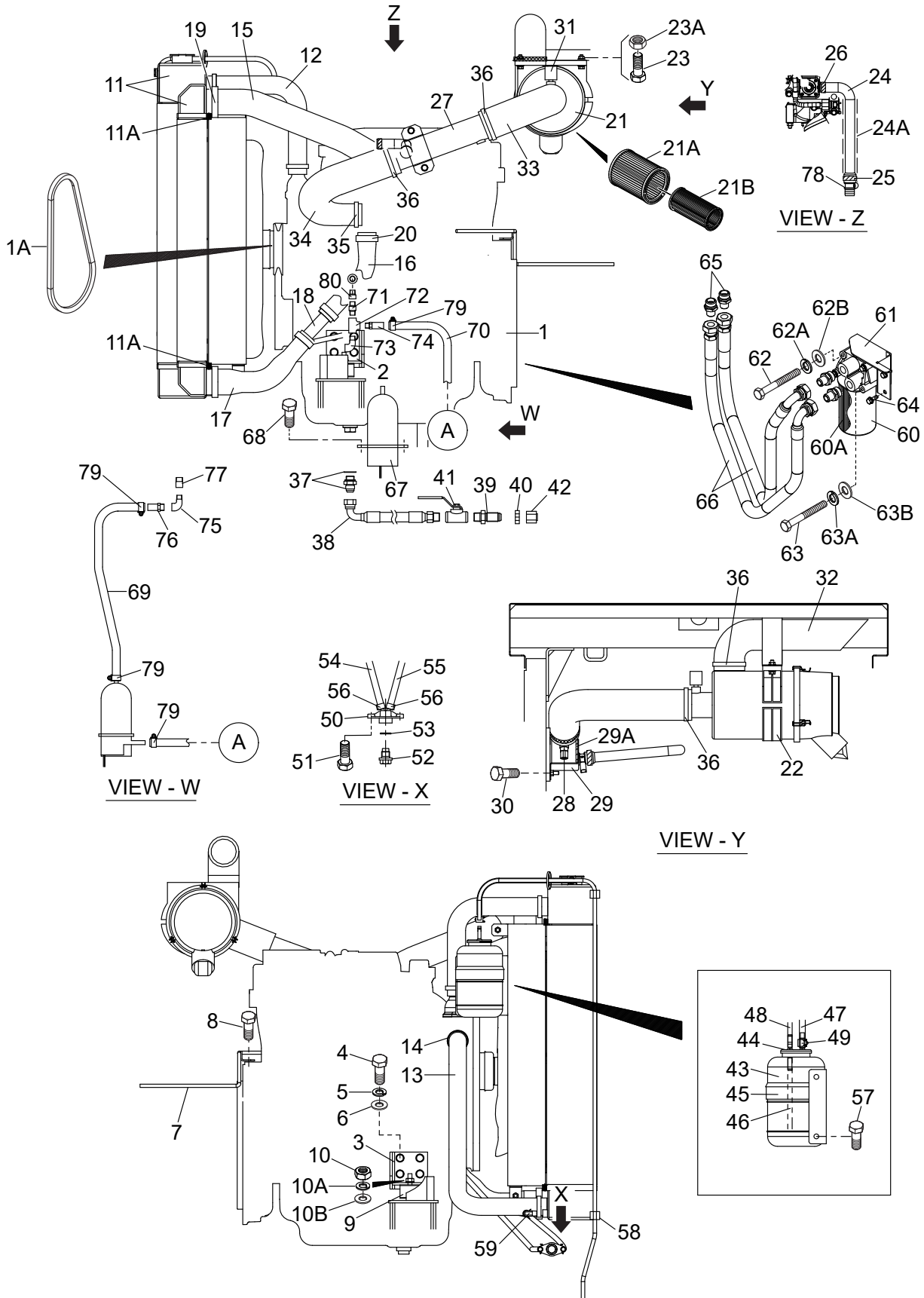
CONTROL BOX 2 ASSY.



CONTROL BOX 2 ASSY.

<u>NO.</u>	<u>PART NO.</u>	<u>PART NAME</u>	<u>QTY.</u>	<u>REMARKS</u>
1-1	Y0411100185	EDGING	2	
1-2	Y0411100585	EDGING	1	
7	0601820608	AUTOMATIC VOLTAGE REGULATOR	1	
7A	Y0601806683	FUSE, 250V, 8A	1	
8	0027105015	MACHINE SCREW	4	
9	Y0601809693	CURRENT TRANSFORMER	3	
10	011808015	MACHINE SCREW	6	REPLACES P/N 0027106015
11	Y0601820843	OVER CURRENT RELAY	1	
12	Y0601820844	OVER CURRENT RELAY BASE	1	
13	0027104020	MACHINE SCREW	2	
13A	OEMAA8	SELF-LOCKING NUT	2	REPLACES P/N 0207004000
16	C3358201704	HOLDER, FUSE	1	REPLACES P/N M2357202104
16A	0601806644	FUSE, 30A	2	
74	0601806640	FUSE, 65A	1	
82	C3358201704	HOLDER, FUSE	1	REPLACES P/N M2357202104
82A	0601806645	FUSE, 10A	1	

ENGINE AND RADIATOR ASSY.



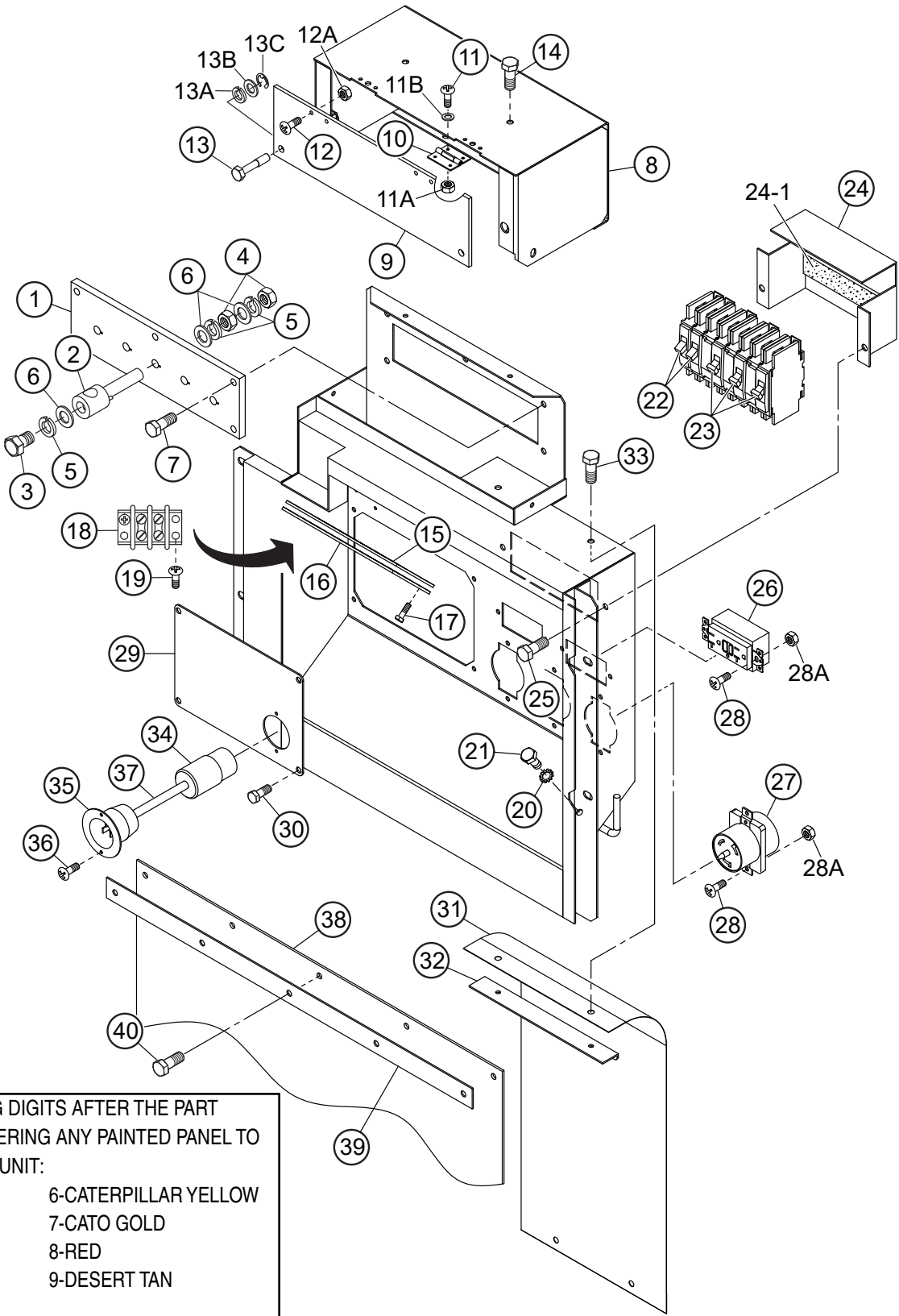
ENGINE AND RADIATOR ASSY.

<u>NO.</u>	<u>PART NO.</u>	<u>PART NAME</u>	<u>QTY.</u>	<u>REMARKS</u>
1	M1924200084	ENGINE, ISUZU 4LE2X	1	
1A	8980490340	BELT, COOLING FAN, L950	1	
2	M1304200004	ENGINE FOOT	1	
3	M1304200104	ENGINE FOOT	1	
4	0105091025	HEX. HEAD BOLT.....	8	REPLACES P/N 0010310025
5	0040010000	WASHER, LOCK	8	
6	031110160	WASHER, FLAT.....	8	REPLACES P/N 0041210000
7	M1358300403	CLAMPER ROD	1	
8	012210020	HEX. HEAD BOLT.....	2	REPLACES P/N 0017110020
9	Y0605000407	RUBBER SUSPENSION	2	
10	0030012000	HEX. NUT	2	
10A	0040012000	WASHER, LOCK	2	
10B	031112230	WASHER, FLAT.....	2	REPLACES P/N 0041212000
11	Y0602012904	RADIATOR AND INTER-COOLER	1	
11A	M1494102104	ACOUSTIC SHEET	1	
12	M1311500603	RADIATOR HOSE, UPPER	1	
13	M1311500703	RADIATOR HOSE, LOWER	1	
14	0605515149	HOSE BAND	4	
15	M1311500803	INTER-COOLER HOSE, UPPER	1	
16	M1311500903	INTER-COOLER HOSE, UPPER/LOWER	1	
17	M1311501003	INTER-COOLER HOSE, LOWER	1	
18	M1311400004	INTER-COOLER PIPE	1	
19	Y0605515300	HOSE BAND	3	
20	Y0605515264	HOSE BAND	3	
21	Y0602046590	AIR CLEANER.....	1	INCLUDES ITEMS W/#
21A#	PMAF25436	PRIMARY ELEMENT.....	1	REPLACES P/N 0602046309
21B#	P822769	SAFETY ELEMENT.....	1	REPLACES P/N 0602046689
22	Y0602040553	AIR CLEANER BAND	1	
23	011208030	HEX. HEAD BOLT.....	2	REPLACES P/N 0016908030
23A	020108060	SELF-LOCKING NUT.....	2	REPLACES P/N 0207008000
24	M1327200104	BLOW-BY HOSE	1	
24A	Y0378100170	AEROFLEX TUBE	1	
25	Y0605515321	HOSE BAND	1	
26	Y0605515198	HOSE BAND	1	
27	M1374000113	AIR CLEANER PIPE	1	
28	8121468300	INLET AIR TEMPERATURE SENSOR.....	1	REPLACES P/N 0603210240
29	M1374200214	BRACKET, AIR CLEANER PIPE	1	
29A	Y0222100060	RUBBER SEAL	1	
30	011008020	HEX. HEAD BOLT.....	2	REPLACES P/N 0016908020
31	0602040651	INDICATOR, AIR CLEANER	1	
32	M1374100703	AIR CLEANER HOSE	1	
33	M1374100503	AIR CLEANER HOSE	1	
34	M1374100603	AIR CLEANER HOSE	1	
35	0605515147	HOSE BAND	1	
36	9500202080	HOSE BAND.....	4	REPLACES P/N 0605515178
37	0602022581	ADAPTER, 10M 24X2.0	1	
38	M1321100304	DRAIN HOSE	1	
39	0603306590	CONNECTOR	1	
40	0603300285	LOCKNUT	1	
41	0605511395	VALVE	1	

ENGINE AND RADIATOR ASSY. (CONT'D.)

<u>NO.</u>	<u>PART NO.</u>	<u>PART NAME</u>	<u>QTY.</u>	<u>REMARKS</u>
42	0602021070	CAP	1	
43	0845031303	RESERVE TANK.....	1	REPLACES P/N M9300000103
44	0802081104	CAP, RESERVE TANK	1	REPLACES P/N M9300100003
45	M2316100304	BRACKET, RESERVE TANK	1	
46	Y0193600165	HOSE	1	
47	0199900450	OVER FLOW HOSE	1	
48	0193601500	OVER FLOW HOSE	1	
49	0605515189	HOSE BAND	2	
50	1622014103	DRAIN JOINT	1	REPLACES P/N M9602000003
51	011206020	HEX. HEAD BOLT	2	REPLACES P/N 0016906020
52	0802011104	DRAIN BOLT.....	1	REPLACES P/N M9200200004
53	0150000018	O-RING	1	
54	Y0199900440	DRAIN HOSE	1	
55	Y0199901310	DRAIN HOSE	1	
56	0605515189	HOSE BAND	4	
57	011008020	HEX. HEAD BOLT	2	REPLACES P/N 0016908020
58	0602220911	CLAMP	2	
59	Y0605512183	HOSE JOINT	1	
60	8980756710	OIL FILTER ASSY.....	1	INCLUDES ITEMS W/%
60A%	2944566410	OIL FILTER ELEMENT	1	REPLACES P/N 0602041008
61	M1324400004	BRACKET, OIL FILTER	1	
62	Y0010108090	HEX. HEAD BOLT	2	
62A	0040008000	WASHER, LOCK	2	
62B	0401450080	WASHER, FLAT	2	REPLACES P/N 0041208000
63	Y0010108110	HEX. HEAD BOLT	2	
63A	Y0040008000	WASHER, LOCK	2	
63B	Y0041208000	WASHER, FLAT	2	
64	011208025	HEX. HEAD BOLT	2	REPLACES P/N 0016908025
65	Y0602022534	STRAIGHT ADAPTER	4	
66	M1324300004	OIL FILTER HOSE	2	
67	EE10814	WATER HEATER	1	REPLACES P/N Y0602014292
68	011206020	HEX. HEAD BOLT	2	REPLACES P/N 0019206020
69	Y0269300860	HOSE	1	
70	Y0269300650	HOSE	1	
71	0131502000	NIPPLE	1	
72	Y0130402000	TEE	1	
73	0130202000	STREET ELBOW	1	
74	Y0602022939	HOSE JOINT	1	
75	0130204000	ELBOW	1	
76	0602022292	HOSE JOINT	1	
77	Y0603307381	BUSHING	1	
78	8981924670	PCV HEATER	1	REPLACES P/N Y0602044300
79	Y0605515198	HOSE BAND	4	
80	Y0603307380	BUSHING	1	

OUTPUT TERMINAL ASSY.



ADD THE FOLLOWING DIGITS AFTER THE PART NUMBER WHEN ORDERING ANY PAINTED PANEL TO INDICATE COLOR OF UNIT:

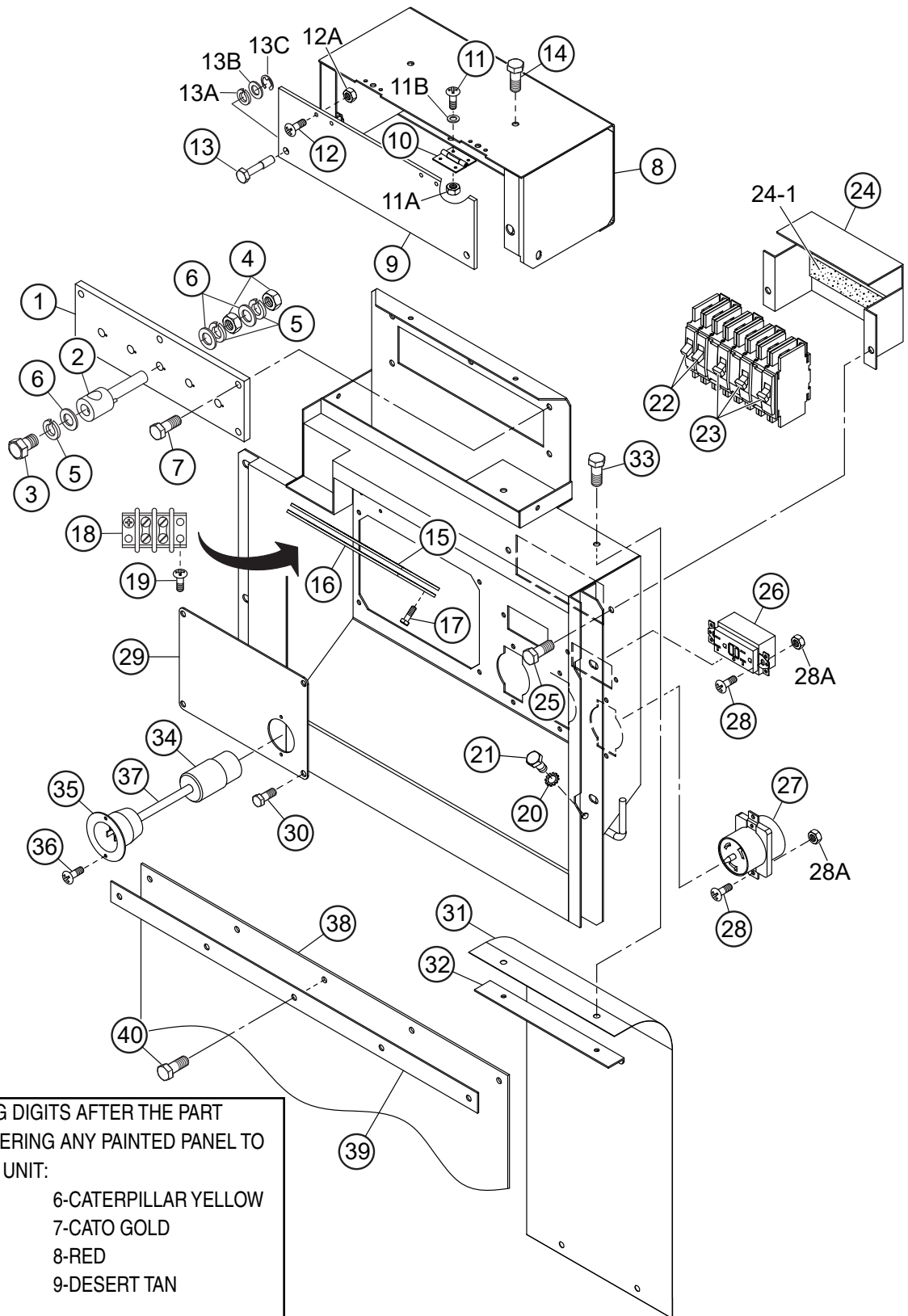
1-ORANGE	6-CATERPILLAR YELLOW
2-WHITE	7-CATO GOLD
3-SPECTRUM GREY	8-RED
4-SUNBELT GREEN	9-DESERT TAN
5-BLACK	

THE SERIAL NUMBER MAY BE REQUIRED.

OUTPUT TERMINAL ASSY.

NO.	PART NO.	PART NAME	QTY.	REMARKS
1	8111860303	TERMINAL PANEL	1.....	REPLACES P/N M1230700103
2	0801831704A	OUTPUT TERMINAL BOLT	5.....	REPLACES P/N M9220100204
3	012210020	TIE BOLT	5.....	REPLACES P/N M9220100104
4	0039310000	HEX. NUT	10	
5	0040010000	WASHER, LOCK	15	
6	0041410000	WASHER, FLAT	20	
7	011208025	HEX. HEAD BOLT.....	5.....	REPLACES P/N 0016908025
8	M1237100303	3-PHASE OUTPUT TERMINAL COVER	1	
9	M1236100704	OUTPUT WINDOW	1	
10	0605010040	HINGE	2	
11	0027103010	MACHINE SCREW	4	
11A	0207003000	HEX. NUT	4.....	REPLACES P/N 0030003000
11B	0041203000	WASHER, FLAT	4	
12	0027103010	MACHINE SCREW	4	
12A	0207003000	HEX. NUT	4.....	REPLACES P/N 0030003000
13	M9220100804	SET SCREW	2	
13A	0040006000	WASHER, LOCK	2	
13B	952404470	WASHER, FLAT	2.....	REPLACES P/N 0041206000
13C	0080200005	E-SNAP RING	2	
14	011106015	HEX. HEAD BOLT.....	4.....	REPLACES P/N 0016906015
15	M1236400004	CABLE OUTLET COVER	1	
16	M1236300004	SUPPORTER, CABLE OUTLET COVER	1	
17	011206020	HEX. HEAD BOLT.....	6.....	REPLACES P/N 0016906020
18	0601815194	TERMINAL BLOCK	1	
19	7538070	MACHINE SCREW.....	2.....	REPLACES P/N 0027104015
20	0040508000	TOOTHED WASHER	1	
21	0019208020	HEX. HEAD BOLT	1	
22	0601808803	CIRCUIT BREAKER, 1P 20A	2	
23	0601808804	CIRCUIT BREAKER, 2P 50A	3	
24	M1260700304	BREAKER FITTING COVER	1	
24-1	Y0222100150	CUSHION RUBBER	1	
25	011206020	HEX. HEAD BOLT.....	2.....	REPLACES P/N 0016906020
26	Y0601814034	RECEPTACLE, 125V 20A X 2	2	
27	Y0601814014	RECEPTACLE, 250V 50A	3	
28	7538070	MACHINE SCREW.....	8.....	REPLACES P/N 0027104015
28A	OEMAA8	HEX. NUT	8.....	REPLACES P/N 0207004000
29	M1454700304	COVER	1	
30	011106015	HEX. HEAD BOLT.....	4.....	REPLACES P/N 0016906015
31	M1237101204	INSULATING COVER	1	
32	M1236400304	SUPPORTER, INSULATING COVER	1	
33	011106015	HEX. HEAD BOLT.....	2.....	REPLACES P/N 0016906015
34	0601812527	CONNECTOR	1	
35	Y0601811177	RECEPTACLE	1	
36	0027104015	MACHINE SCREW	2	

OUTPUT TERMINAL ASSY. (CONT'D.)



ADD THE FOLLOWING DIGITS AFTER THE PART NUMBER WHEN ORDERING ANY PAINTED PANEL TO INDICATE COLOR OF UNIT:

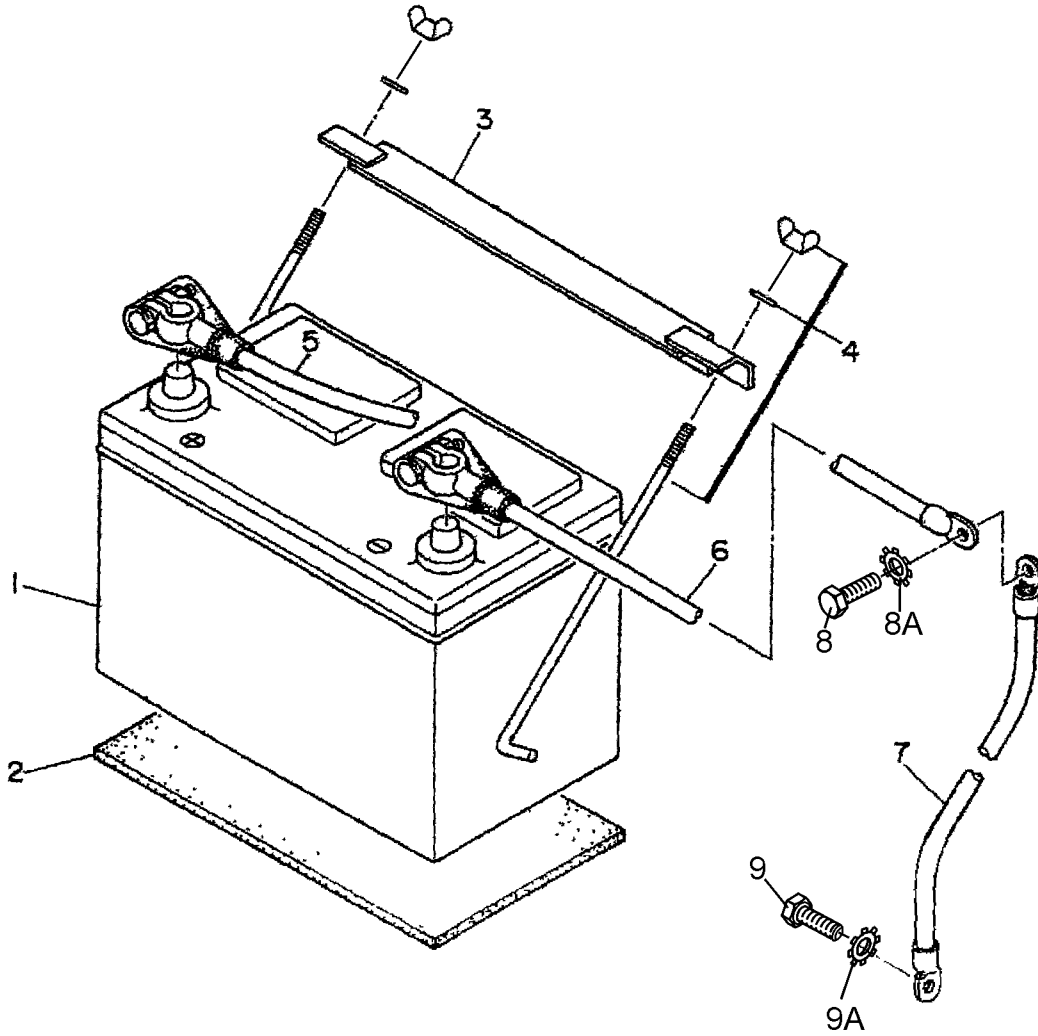
- | | |
|-----------------|----------------------|
| 1-ORANGE | 6-CATERPILLAR YELLOW |
| 2-WHITE | 7-CATO GOLD |
| 3-SPECTRUM GREY | 8-RED |
| 4-SUNBELT GREEN | 9-DESERT TAN |
| 5-BLACK | |

THE SERIAL NUMBER MAY BE REQUIRED.

OUTPUT TERMINAL ASSY. (CONT'D.)

<u>NO.</u>	<u>PART NO.</u>	<u>PART NAME</u>	<u>QTY.</u>	<u>REMARKS</u>
37	Y0329100300	HARNESS, WATER HEATER	1	
38	M1454701304	RUBBER SHEET	1	
39	M1454701404	RUBBER SHEET HOLDER	1	
40	011206020	HEX HEAD BOLT.....	5.....	REPLACES P/N 0019206020

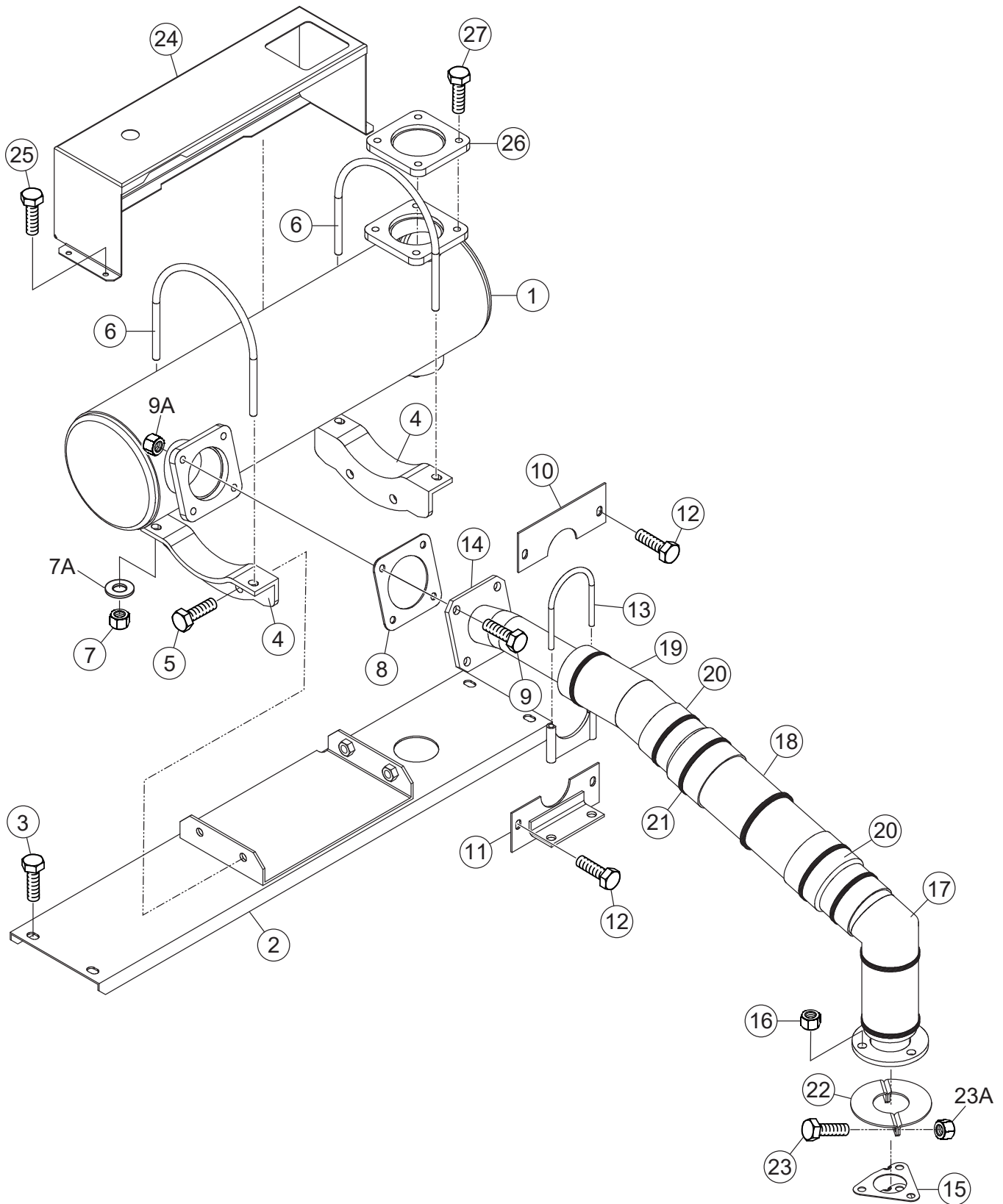
BATTERY ASSY.



BATTERY ASSY.

<u>NO.</u>	<u>PART NO.</u>	<u>PART NAME</u>	<u>QTY.</u>	<u>REMARKS</u>
1	0602220199	BATTERY	1	
2	M9310500014	BATTERY SHEET	1	
3	M9103000304	BATTERY BAND	1	
4	0602220920	BATTERY BOLT SET, 1/4-L10"	2	
5	M2346900204	BATTERY CABLE	1	
6	M2346900304	BATTERY CABLE	1	
7		CABLE	1	MAKE LOCALLY
8	0017112025	HEX. HEAD BOLT	1	
8A	0040512000	TOOTHED WASHER	1	
9	011208025	HEX. HEAD BOLT	1	REPLACES P/N 0016908025
9A	0040508000	TOOTHED WASHER	1	

MUFFLER ASSY.



MUFFLER ASSY.

<u>NO.</u>	<u>PART NO.</u>	<u>PART NAME</u>	<u>QTY.</u>	<u>REMARKS</u>
1	8982353890	DOC, MUFFLER	1.....	REPLACES P/N Y0602330111
2	M1331400403	DOC, BRACKET	1	
3	011008020	HEX. HEAD BOLT	4.....	REPLACES P/N 0016908020
4	8982284330	DOC, SUPPORT	2.....	REPLACES P/N Y0602330210
5	012010030	HEX. HEAD BOLT	4.....	REPLACES P/N 0017110030
6	8982103230	U-BOLT	2.....	REPLACES P/N Y0602322091
7	020108060	SELF-LOCKING NUT	4.....	REPLACES P/N 0037908000
7A	0401450080	WASHER, FLAT	4.....	REPLACES P/N 0041208000
8	8973731080	GASKET	1.....	REPLACES P/N Y0602320212
9	8980435280	HEX. HEAD BOLT	4.....	REPLACES P/N Y0602322090
9A	8971616070	HEX. NUT	4.....	REPLACES P/N Y0602323007
10	M1331400204	COVER, EXHAUST PIPE	1	
11	M1331400304	BRACKET, EXHAUST PIPE	1	
12	0016906015	HEX. HEAD BOLT	4	
13	Y0602326066	U-BOLT	1	
14	M1334000803	EXHAUST PIPE	1	
15	8973679180	GASKET	1.....	REPLACES P/N Y0602320211
16	0207108000	SELF-LOCKING NUT	3	
17	M1331400604	EXHAUST HEAT SHIELD	1	
18	M1331400704	EXHAUST HEAT SHIELD	1	
19	M1331400804	EXHAUST HEAT SHIELD	1	
20	Y0272100370	HEAT SHIELD TAPE	2	
21	Y0602325051	METAL CABLE TIE	8	
22	M1334300404	HEAT SHIELD STOPPER	2	
23	0019206015	HEX. HEAD BOLT	2	
23A	0176060030	SELF-LOCKING NUT	2.....	REPLACES P/N 0207006000
24	M1331300004	DOC COVER	1	
25	011008020	HEX HEAD BOLT	4.....	REPLACES P/N 0016908020
26	M1334300504	FLANGE	1	
27	011008020	HEX HEAD BOLT	4.....	REPLACES P/N 0016908020

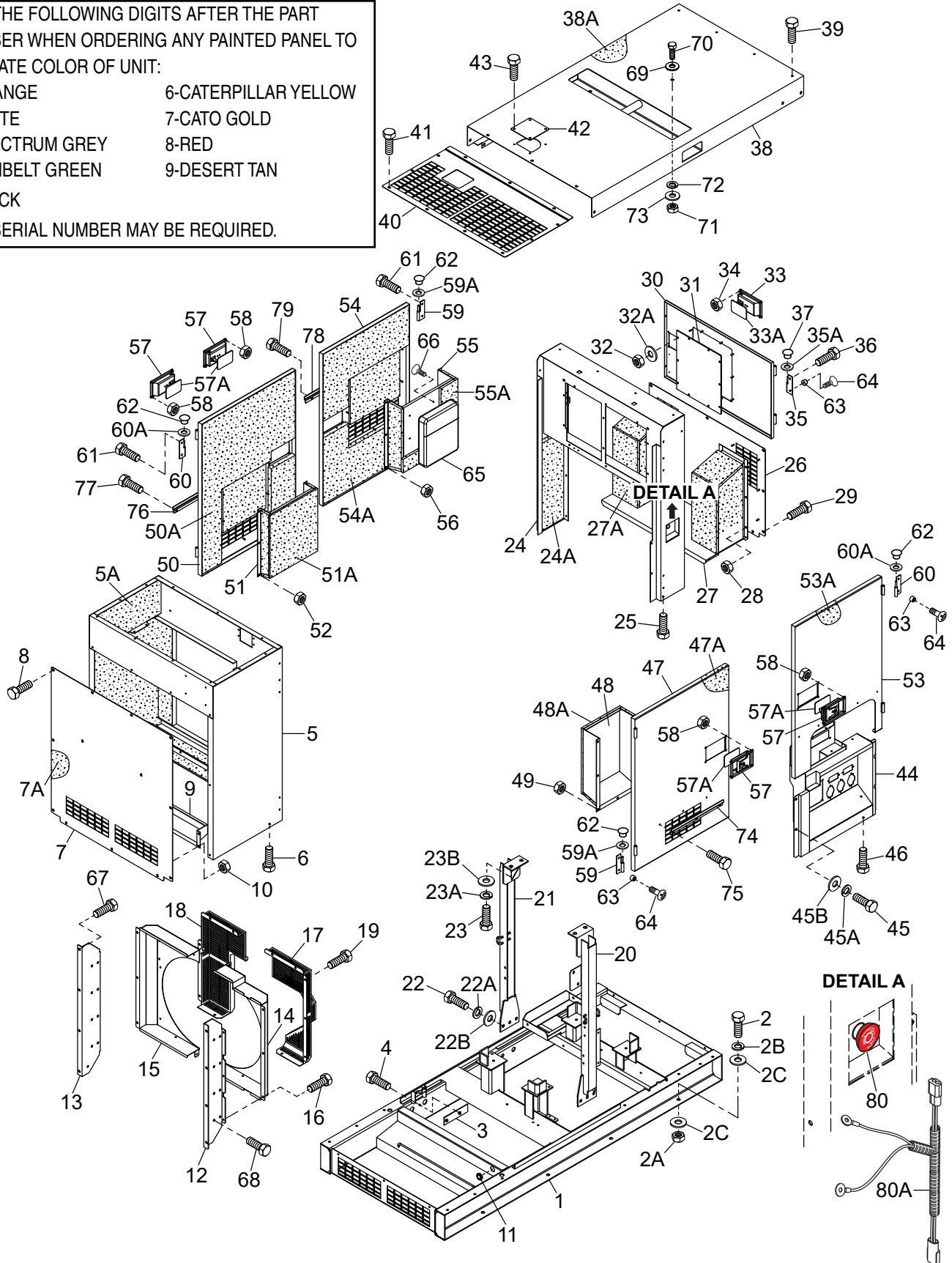
FUEL TANK ASSY.

<u>NO.</u>	<u>PART NO.</u>	<u>PART NAME</u>	<u>QTY.</u>	<u>REMARKS</u>
1	Y0605500061	FUEL TANK.....	1.....	INCLUDES ITEMS W/#
1-1#	Y0605505050	FUEL TANK CAP	1	
1-2#	Y0605501046	FUEL SENDER UNIT	1	
1-3#	Y0605516092	GASKET	1	
1-4#	Y0605053040	HEX HEAD BOLT	5	
1-5#	Y0605503221	FUEL LEAK DETECTED SWITCH	1	
1-6#	Y0605503231	VISUAL LEVEL GAUGE	1	
1-7#	Y0605516092	GASKET	1	
1-8#	Y0605519000	E-VENT	1	
1-9#	Y0605519010	NORMAL VENT	1	
1-10#	Y0605512611	DRAIN PLUG	2	
2	8980682750	FUEL FEED PUMP.....	1.....	REPLACES P/N 0602023240
2A	8980714010	FUEL FILTER, FEED PUMP	1	
3	Y0191301070	SUCTION HOSE	1	
4	0191300550	SUCTION HOSE	1	
5	0191300700	RETURN HOSE	1	
6	Y0191300260	SUCTION HOSE	1	
7	0191300530	SUCTION HOSE	1	
8	Y0605515361	HOSE BAND	10	
9	M1484500204	BRACKET, FUEL FILTER	1	
10	012210035	HEX. HEAD BOLT.....	4.....	REPLACES P/N 0017110035
11	0016910030	HEX. HEAD BOLT	2	
12	M1366700304	BRACKET, FUEL PUMP	1	
13	011008020	HEX. HEAD BOLT.....	2.....	REPLACES P/N 0016908020
14	011606025	HEX. HEAD BOLT	2.....	REPLACES P/N 0016906025
15	8982369900	FUEL FILTER, MAIN ASSY.....	1.....	REPLACES P/N 0602042428
15A	8982402800	ELEMENT, FUEL FILTER, MAIN	1	
16	8982369910	FUEL FILTER, PRE. ASSY.....	1.....	REPLACES P/N 0602042429
16A	8982402790	ELEMENT, FUEL FILTER. PRE.	1	
17	1096751930	EYE BOLT.....	4.....	REPLACES P/N Y0602042624
18	8981263320	JOINT PIPE	4.....	REPLACES P/N Y0602042623
19	1096300850	PACKING	8.....	REPLACES P/N Y0602021700
20	Y0602022988	HOSE JOINT	2	
21	M1494600404	ACOUSTIC SHEET	1	

ENCLOSURE ASSY.

ADD THE FOLLOWING DIGITS AFTER THE PART NUMBER WHEN ORDERING ANY PAINTED PANEL TO INDICATE COLOR OF UNIT:

- | | |
|-----------------|----------------------|
| 1-ORANGE | 6-CATERPILLAR YELLOW |
| 2-WHITE | 7-CATO GOLD |
| 3-SPECTRUM GREY | 8-RED |
| 4-SUNBELT GREEN | 9-DESERT TAN |
| 5-BLACK | |
- THE SERIAL NUMBER MAY BE REQUIRED.



ENCLOSURE ASSY.

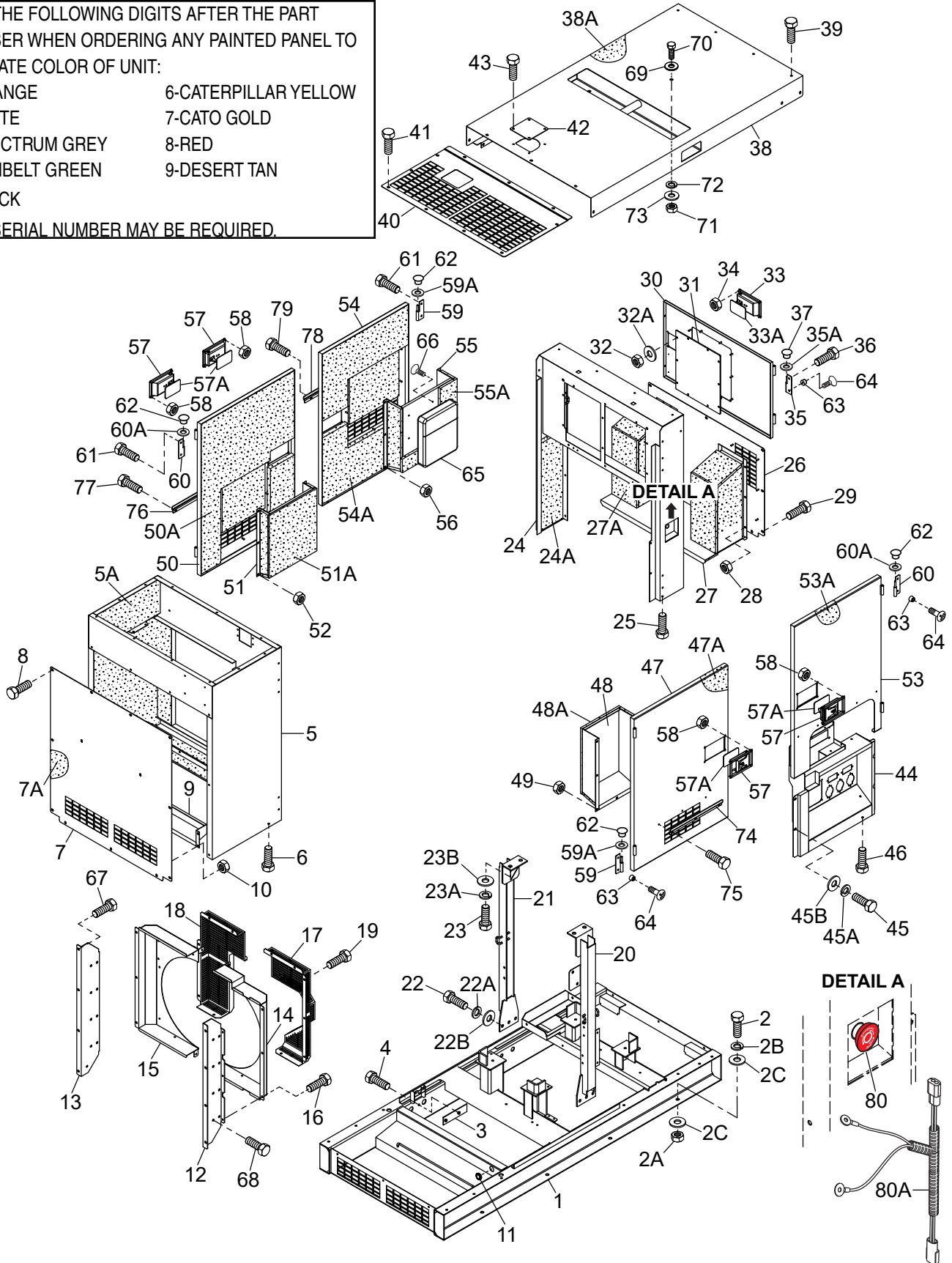
<u>NO.</u>	<u>PART NO.</u>	<u>PART NAME</u>	<u>QTY.</u>	<u>REMARKS</u>
1	M1414001602	BASE	1	
2	0013616040	HEX. HEAD BOLT	8	
2A	0030016000	HEX. NUT	8	
2B	0040016000	WASHER, LOCK	8	
2C	0041216000	WASHER, FLAT	16	
3	M2414800304	HOLE COVER	1	
4	011008020	HEX. HEAD BOLT	2.....	REPLACES P/N 0016908020
5	M1424001502	FRONT FRAME	1	
5A	M1494101903	ACOUSTIC SHEET	1	
6	011008020	HEX. HEAD BOLT	6.....	REPLACES P/N 0016908020
7	M1424201703	COVER, FRONT FRAME	1	
7A	M1494107404	ACOUSTIC SHEET	1	
8	0019208020	HEX. HEAD BOLT	13	
9	M1424201404	DUCT	1	
10	0176060030	SELF-LOCKING NUT	5.....	REPLACES P/N 0207006000
11	0601851727	GROMMET	1	
12	M1311200614	RADIATOR BRACKET	1	
13	M1311200704	RADIATOR BRACKET	1	
14	M1311300513	FAN SHROUD	1	
15	M1311300603	FAN SHROUD	1	
16	011008020	HEX. HEAD BOLT	8.....	REPLACES P/N 0016908020
17	M1311300703	FAN GUARD	1	
18	M1311300803	FAN GUARD	1	
19	011008020	HEX. HEAD BOLT	11.....	REPLACES P/N 0016908020
20	M1434000503	CENTER FRAME	1	
21	M1434000303	CENTER FRAME	1	
22	0013616040	HEX. HEAD BOLT	6	
22A	0040016000	WASHER, LOCK	6	
22B	0041216000	WASHER, FLAT	6	
23	Y0013616035	HEX. HEAD BOLT	4	
23A	0040016000	WASHER, LOCK	4	
23B	0041216000	WASHER, FLAT	4	
24	M1444000502	REAR FRAME	1	
24A	M1494304604	ACOUSTIC SHEET	1	
25	011008020	HEX. HEAD BOLT	4.....	REPLACES P/N 0016908020
26	M1444300213	REAR COVER	1	
27	M1444300313	DUCT, REAR COVER	1	
27A	M1494301313	ACOUSTIC SHEET	1	
28	0176060030	SELF-LOCKING NUT	12.....	REPLACES P/N 0207006000
29	0019208020	HEX. HEAD BOLT	10	
30	M1444200203	REAR DOOR	1	
31	M1445600204	WINDOW PLATE	1	
32	020106050	LOCK NUT	10.....	REPLACES P/N 0037906000
32A	952404470	WASHER, FLAT	10.....	REPLACES P/N 0041206000
33	Y0605012318	DOOR HANDLE ASSY.	1	
33A	C9312500004	SEAL RUBBER	1	
34	Y0207006000	SELF-LOCKING NUT	4	
35	M9110100204	HINGE, MALE(L)	2	
35A	M9116100004	WASHER	2	

ENCLOSURE ASSY. (CONT'D.)

ADD THE FOLLOWING DIGITS AFTER THE PART NUMBER WHEN ORDERING ANY PAINTED PANEL TO INDICATE COLOR OF UNIT:

- | | |
|-----------------|----------------------|
| 1-ORANGE | 6-CATERPILLAR YELLOW |
| 2-WHITE | 7-CATO GOLD |
| 3-SPECTRUM GREY | 8-RED |
| 4-SUNBELT GREEN | 9-DESERT TAN |
| 5-BLACK | |

THE SERIAL NUMBER MAY BE REQUIRED.



ENCLOSURE ASSY. (CONT'D.)

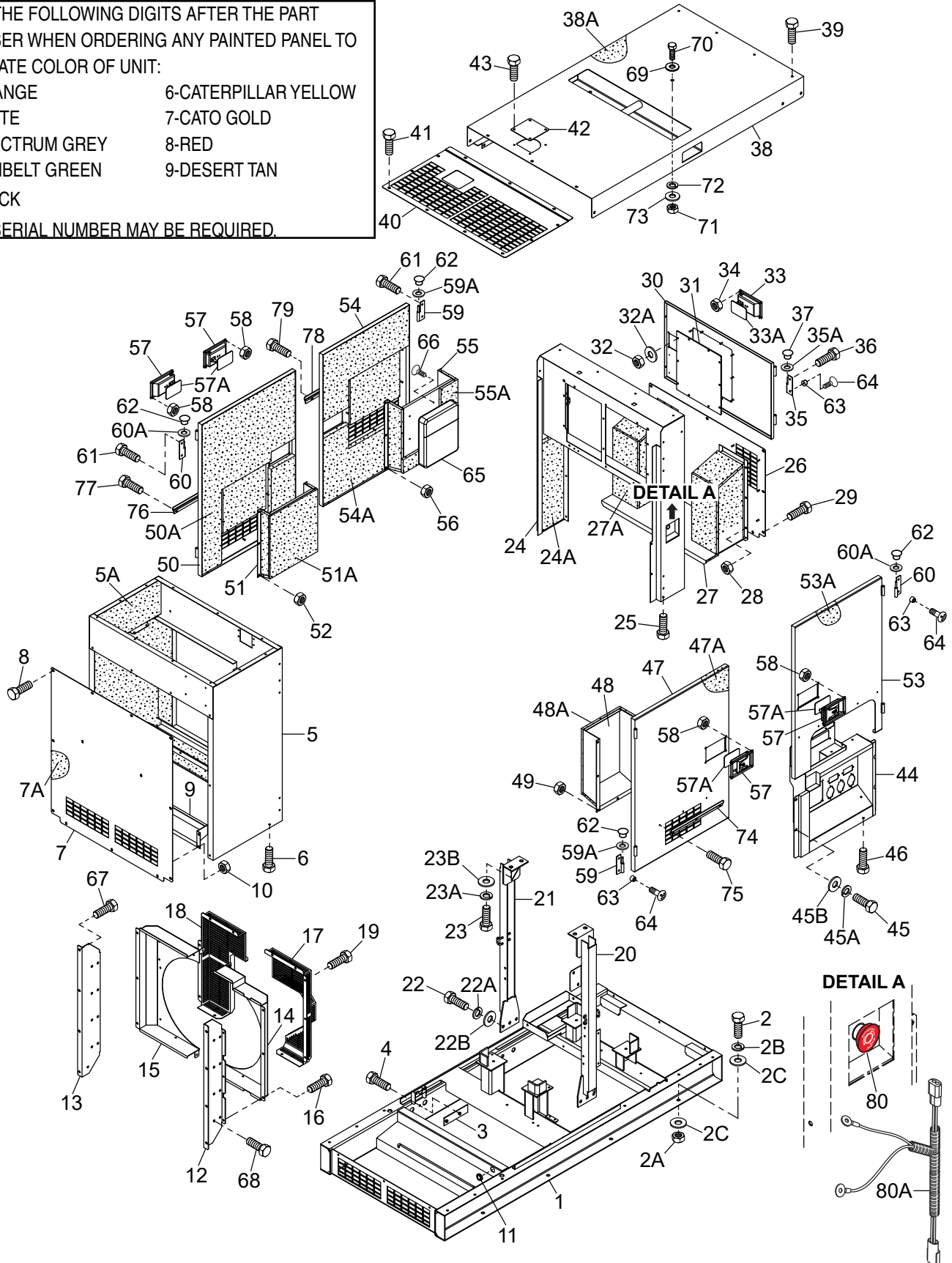
<u>NO.</u>	<u>PART NO.</u>	<u>PART NAME</u>	<u>QTY.</u>	<u>REMARKS</u>
36	0019208020	HEX. HEAD BOLT	3	
37	0845031504	BLIND PLUG.....	2.....	REPLACES P/N M931000004
38	M1464000212	ROOF PANEL	1	
38A	M1494500803	ACOUSTIC SHEET	1	
39	0019208020	HEX. HEAD BOLT	10	
40	M1424100004	OVER COVER, FRONT FRAME	1	
41	0019208020	HEX. HEAD BOLT	11	
42	M3310600004	COVER	1	
43	0019208020	HEX. HEAD BOLT	4	
44	M1454201302	SPLASHER PANEL	1	
45	0019108055	HEX. HEAD BOLT	4	
45A	0042308000	WASHER, LOCK	4	
45B	031108160	WASHER, FLAT	4.....	REPLACES P/N 0042408000
46	011008020	HEX. HEAD BOLT.....	2.....	REPLACES P/N 0016908020
47	M1454002803	SIDE DOOR	1	
47A	M1494401404	ACOUSTIC SHEET	1	
48	M1454300404	DUCT	1	
48A	M1494401904	ACOUSTIC SHEET	1	
49	0176060030	SELF-LOCKING NUT	7.....	REPLACES P/N 0207006000
50	M1454001103	SIDE DOOR	1	
50A	M1494401504	ACOUSTIC SHEET	1	
51	M1454300604	DUCT	1	
51A	M1494402104	ACOUSTIC SHEET	1	
52	0176060030	SELF-LOCKING NUT	7.....	REPLACES P/N 0207006000
53	M1454002503	SIDE DOOR	1	
53A	M1494409104	ACOUSTIC SHEET	1	
54	M1454003003	SIDE DOOR	1	
54A	M1494401703	ACOUSTIC SHEET	1	
55	M1454300703	DUCT	1	
55A	M1494402204	ACOUSTIC SHEET	1	
56	0176060030	SELF-LOCKING NUT	7.....	REPLACES P/N 0207006000
57	Y0605012318	DOOR HANDLE ASSY.	4	
57A	C9312500004	SEAL RUBBER	4	
58	0176060030	SELF-LOCKING NUT	16.....	REPLACES P/N 0207006000
59	M9110100204	HINGE, MALE (L)	4	
59A	M9116100004	WASHER	4	
60	M9110100304	HINGE, MALE (R)	4	
60A	M9116100004	WASHER	4	
61	0019208020	HEX. HEAD BOLT	9	
62	0845031504	BLIND PLUG.....	8.....	REPLACES P/N M931000004
63	0601850097	DOOR STOPPER	9	
64	0027208025	MACHINE SCREW	9	
65	0600800320	MANUAL HOLDER	1	
66	0027106016	MACHINE SCREW.....	4.....	REPLACES P/N 0021806015
67	011008020	HEX. HEAD BOLT.....	8.....	REPLACES P/N 0016908020
68	011008020	HEX. HEAD BOLT.....	16.....	REPLACES P/N 0016908020
69	Y0605050040	SEALING WASHER	1	
70	0019112030	HEX. HEAD BOLT	1	
71	0030012000	HEX. HEAD NUT	1	

ENCLOSURE ASSY. (CONT'D.)

ADD THE FOLLOWING DIGITS AFTER THE PART NUMBER WHEN ORDERING ANY PAINTED PANEL TO INDICATE COLOR OF UNIT:

- | | |
|-----------------|----------------------|
| 1-ORANGE | 6-CATERPILLAR YELLOW |
| 2-WHITE | 7-CATO GOLD |
| 3-SPECTRUM GREY | 8-RED |
| 4-SUNBELT GREEN | 9-DESERT TAN |
| 5-BLACK | |

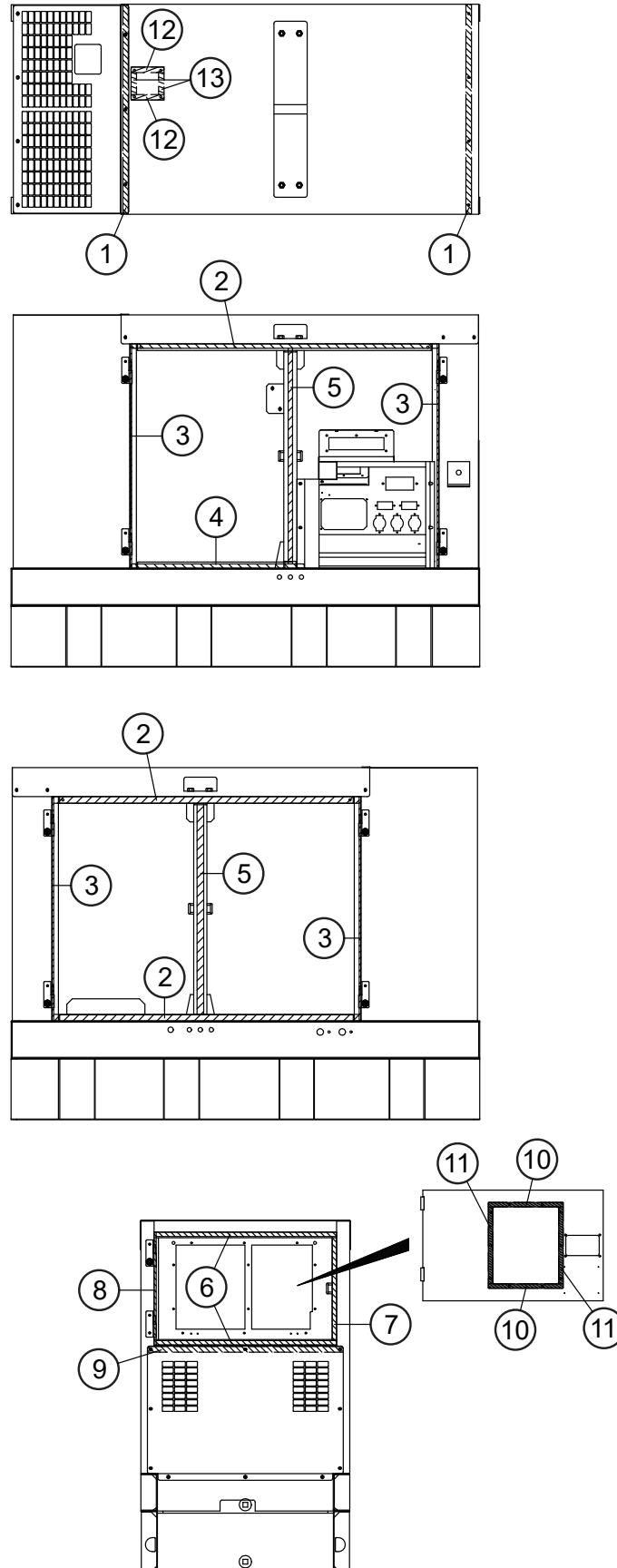
THE SERIAL NUMBER MAY BE REQUIRED.



ENCLOSURE ASSY. (CONT'D.)

<u>NO.</u>	<u>PART NO.</u>	<u>PART NAME</u>	<u>QTY.</u>	<u>REMARK</u>
72	0042312000	WASHER, LOCK	1	
73	0042412000	WASHER, FLAT	1	
74	M1454701504	GUTTER	1	
75	0019206015	HEX. HEAD BOLT	3	
76	M1454701604	GUTTER	1	
77	0019206015	HEX. HEAD BOLT	3	
78	M1454701704	GUTTER	1	
79	0019206015	HEX. HEAD BOLT	3	
80	Y0601831953	EMERGENCY STOP BUTTON	1	
80A	M1358203104	WIRE HARNESS, EMERGENCY STOP	1	

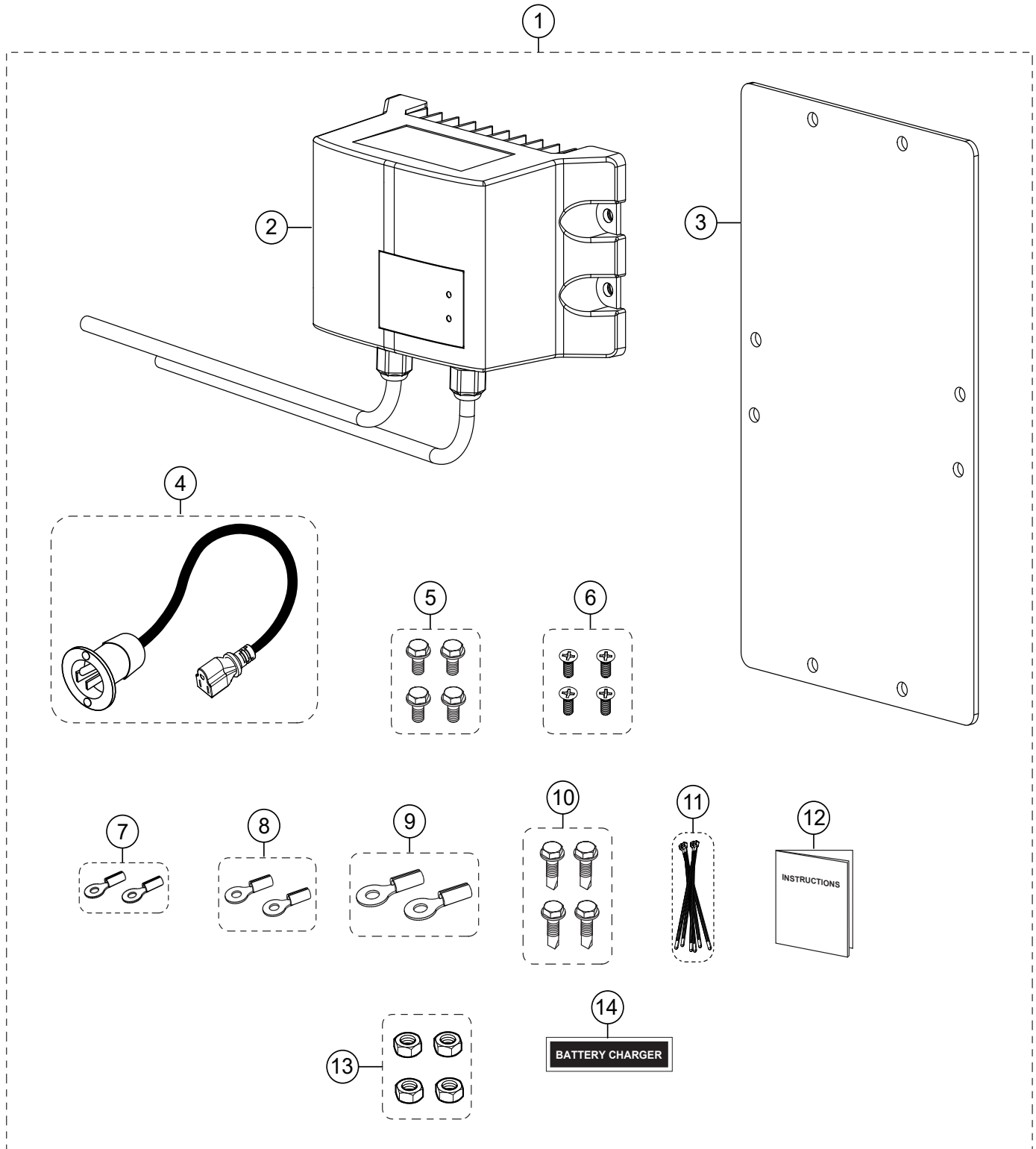
RUBBER SEALS ASSY.



RUBBER SEALS ASSY.

<u>NO.</u>	<u>PART NO.</u>	<u>PART NAME</u>	<u>QTY.</u>	<u>REMARKS</u>
1	0229200950	RUBBER SEAL	2	
2	Y0417001390	RUBBER SEAL	3	
3	Y0417001020	RUBBER SEAL	4	
4	Y0417000780	RUBBER SEAL	1	
5	Y0417000980	RUBBER SEAL	2	
6	Y0417000820	RUBBER SEAL	2	
7	Y0417000470	RUBBER SEAL	1	
8	Y0417000510	RUBBER SEAL	1	
9	0229200880	RUBBER SEAL	1	
10	0228100340	RUBBER SEAL	2	
11	70NS2016	RUBBER SEAL.....	2.....	REPLACES P/N 0228100350
12	Y0229200145	RUBBER SEAL	2	
13	Y0229200100	RUBBER SEAL	2	

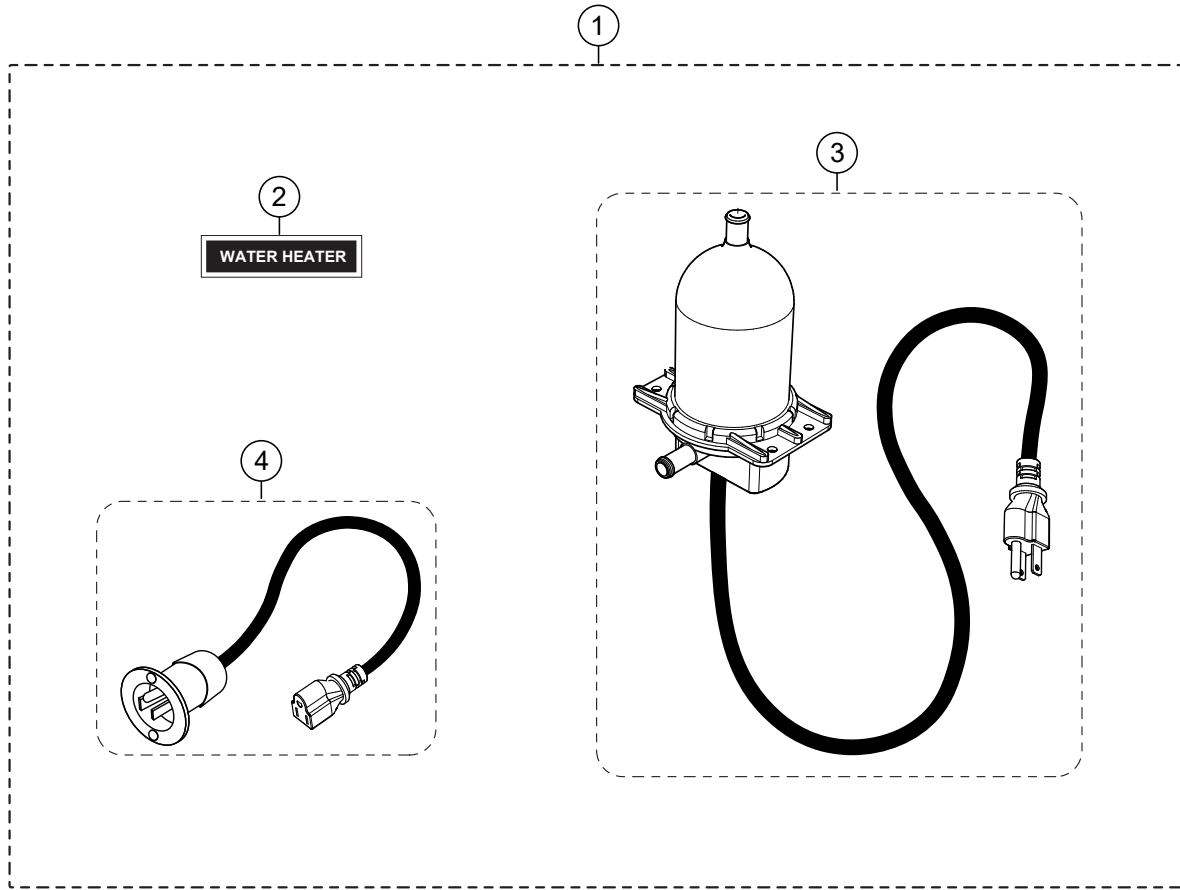
BATTERY CHARGER ASSY. (OPTION)



BATTERY CHARGER ASSY. (OPTION)

<u>NO.</u>	<u>PART NO.</u>	<u>PART NAME</u>	<u>QTY.</u>	<u>REMARKS</u>
1	MQPBCKIT-J	BATTERY CHARGER ASSY.....	1.....	INCLUDES ITEMS W/#
2#	EE62075	BATTERY CHARGER, 6A 12V	1	
3#	EE62021	ADAPTER, BATTERY CHARGER, LE	1	
4#	EE62076	INLET REC. AND CORD, NEMA 5-15P	1	
5#		HEX. HD. SCREW W/ WASHER, M4X12MM.....	1.....	OBTAIN LOCALLY
6#		FLAT HEAD SCREW, 10-32X1/2".....	4.....	OBTAIN LOCALLY
7#		RING TERMINAL, 5/16", 14-16AWG.....	2.....	OBTAIN LOCALLY
8#		RING TERMINAL, 3/8", 14-16AWG.....	2.....	OBTAIN LOCALLY
9#		RING TERMINAL, 1/2", 14-16AWG.....	2.....	OBTAIN LOCALLY
10#		SELF TAPPING HEX. SCREW, #8.....	4.....	OBTAIN LOCALLY
11#		ZIP TIES, #6.....	20.....	OBTAIN LOCALLY
12#	EE60983	3A BATTERY CHARGER KIT, INST.	1	
13#		HEX. NUT, 10-32.....	4.....	OBTAIN LOCALLY
14#	M1940011014Q	DECAL, BATTERY CHARGER	1	

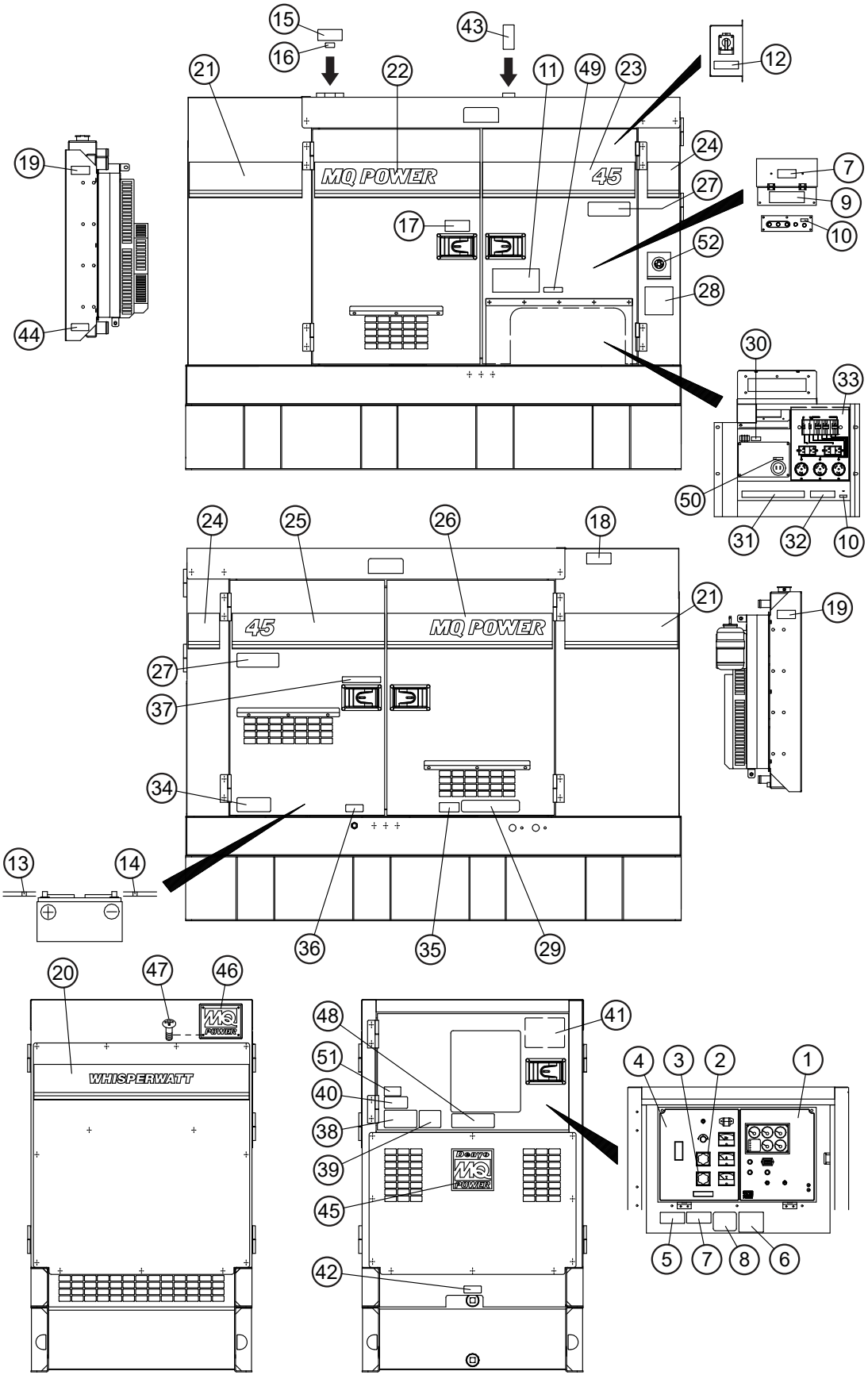
ENGINE BLOCK HEATER ASSY. (OPTION)



ENGINE BLOCK HEATER ASSY. (OPTION)

<u>NO.</u>	<u>PART NO.</u>	<u>PART NAME</u>	<u>QTY.</u>	<u>REMARKS</u>
1	MQPHEATTKIT-A	BLOCK HEATER, 500W	1.....	INCLUDES ITEMS W/#
2#	M194001005Q	DECAL, WATER HEATER	1	
3#	TPS051GT10000	HEATER, TANK, 500W	1	
4#	EE62076	INLET REC. AND CORD, NEMA 5-15P, 15A	1	

NAMEPLATE AND DECALS ASSY.



NAMEPLATE AND DECALS ASSY.

NO.	PART NO.	PART NAME	QTY.	REMARKS
1	M1551000303	DECAL: ENGINE OPERATING.....	1.....	M15100030
2	M9520000104	DECAL: AMMETER CHANGE-OVER SW.....	1.....	M92000010
3	M9520000204	DECAL: VOLTMETER CHANGE-OVER SW.....	1.....	M92000020
4	M1551000203	DECAL: GENERATOR CONTROL.....	1.....	M15100020
5	M9520100704	DECAL: WARNING ARC FLASH.....	1.....	M92010070
6	M9520100304	DECAL: GENERAL CAUTIONS.....	1.....	M92010030
7	M9520100004	DECAL: WARNING ELECTRICAL SHOCK.....	2.....	M92010000
8	M9520200404	DECAL: O.C.R. RESET.....	1.....	M92020040A
9	M9520200003	DECAL: CONNECTION OF OUTPUT CABLE.....	1.....	M92020000
10	M9520000004	DECAL: GROUNDING.....	2.....	M92000000
11	M9520100404	DECAL: DANGER HIGH VOLTAGE.....	1.....	M92010040
12	M9520100204	DECAL: CAUTION CHANGE-OVER SW.....	1.....	M92010020A
13	M9500300104	DECAL: +.....	1.....	M90030010
14	M9500300004	DECAL: -.....	1.....	M90030000
15	M9503100004	DECAL: WARNING RADIATOR CAP.....	1.....	M90310000
16	M9500100004	DECAL: WATER.....	1.....	M90010000
17	M9510100004	DECAL: CAUTION HIGH TEMP.....	1.....	M91010000
18	M9503200004	DECAL: WARNING EXHAUST GAS.....	1.....	M90320000
19	M9503000004	DECAL: WARNING ROTATING PART.....	2.....	M90300000
20	M1561101103	STRIPE.....	1.....	
21	M1561101203	STRIPE.....	2.....	
22	M1561102903	STRIPE.....	1.....	
23	M1561102803	STRIPE.....	1.....	
24	M1561101504	STRIPE.....	2.....	
25	M1561101603	STRIPE.....	1.....	
26	M1561101703	STRIPE.....	1.....	
27	M9520100603	DECAL: WARNING AUTO START.....	2.....	M92010060
28	M1551000504	DECAL: NOTICE LOAD SHARING.....	1.....	M15100050
29	M9503000103	DECAL: DAILY CHECK WATER AND OIL.....	1.....	M90300010
30	M9520000504	DECAL: START CONTACT.....	1.....	M92000050
31	M9520100503	DECAL: WARNING.....	1.....	M92010050
32	M9511100104	DECAL: NOTICE RECEPTACLE.....	1.....	M91110010
33	M1550000703	DECAL: AUXILIARY OUTPUTS.....	1.....	M15000070A
34	M9510100403	DECAL: WARNING BATTERY CONNECT.....	1.....	M91010040A
35	M9501500004	DECAL: DIESEL FUEL.....	1.....	M90150000
36	M9500000004	DECAL: OIL DRAIN.....	1.....	M90000000
37	M9510000104	DECAL: DOCUMENT BOX LOCATED.....	1.....	M91000010
38	M9511100004	DECAL: ENVIRONMENTAL WARNING.....	1.....	M91110000
39	M9503200104	DECAL: DANGER EX. GAS (INDOOR).....	1.....	M90320010
40	M9504200004	DECAL: WARNING START FIRES.....	1.....	M90420000
41	M1551001503	OPERATING PRECAUTIONS.....	1.....	M15100150
42	M9510000004	DECAL: FLUID DRAIN.....	1.....	M91000000
43	M1550001504	CAUTION: LIFTING CAPACITY.....	1.....	M15000150
44	M9500100304	INTER-COOLER DRAIN.....	1.....	M90010030
45	M9511200204	STICKER, MQ.....	1.....	M91120020
46	0600500092	EMBLEM.....	1.....	
47	0021106015	MACHINE SCREW.....	4.....	
48	M9511200103	TIER 4F.....	1.....	M91120010
49	M9521200604	BONDED NEUTRAL.....	1.....	M92120060
50	M9522000004	DECAL: WATER HEATER.....	1.....	
51	M9504200104	DECAL: WARNING PROPOSITION 65.....	1.....	M90420010
52	M9521002804	DECAL: EMERGENCY STOP BUTTON.....	1.....	