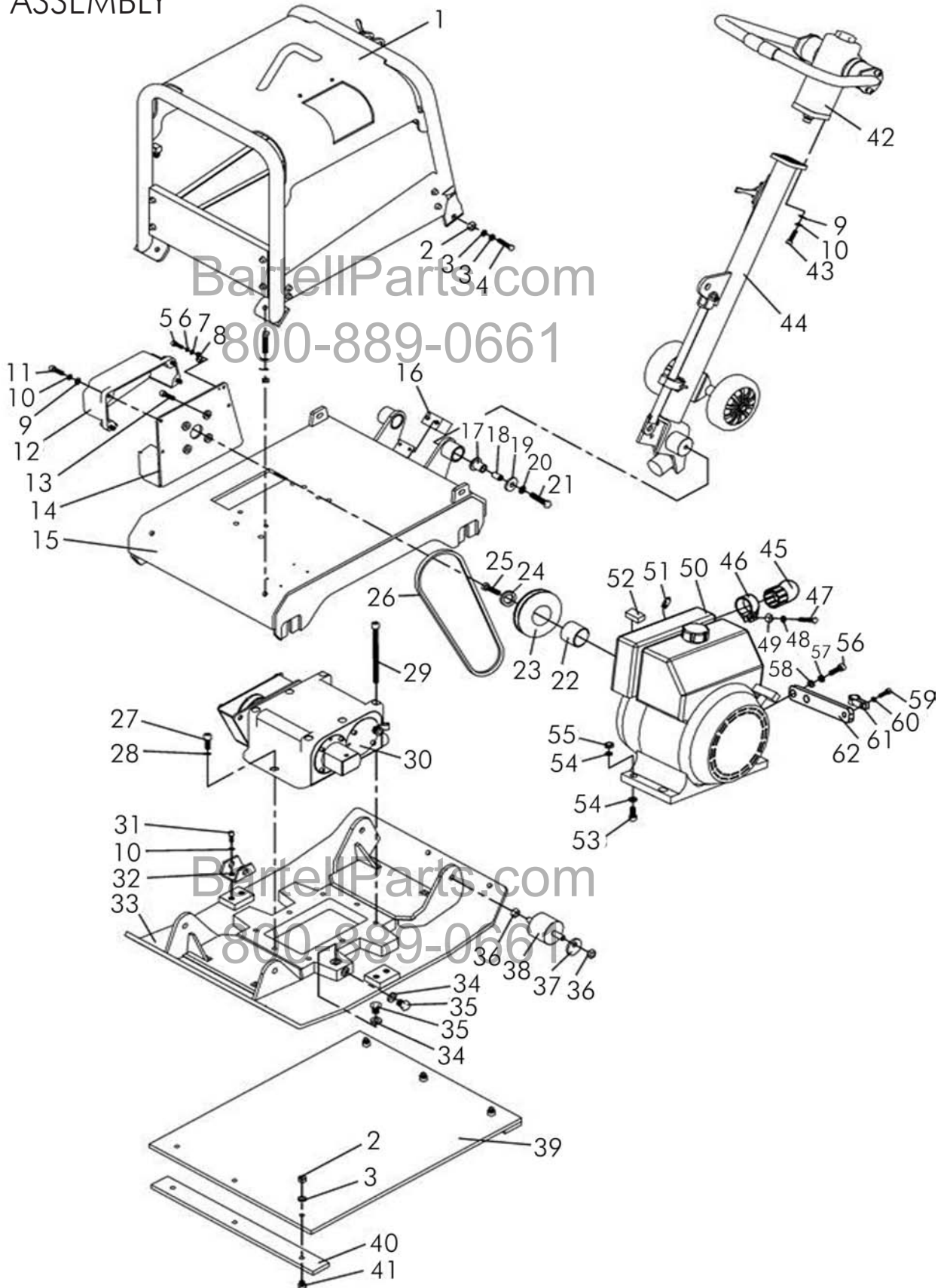


PARTS LIST 1

B2027R

GENERAL ASSEMBLY



PARTS LIST 1

B2027R

GENERAL ASSEMBLY

| ITEM NO. | PART NO. | DESCRIPTION | QTY. | REMARK |
|----------|--------------------|------------------------|------|--------|
| 1 | MH5030R.00.05G | ROLL CAGE | 1 | |
| 2 | GB6182-M10 | HEX NUT, M10 | 11 | |
| 3 | GB97.1-10 | WASHER, FLAT, 10MM | 16 | |
| 4 | GB5782-M10x40 | HEX BOLT, M10x40 | 4 | |
| 5 | NOT USED | | 1 | |
| 6 | NOT USED | | 1 | |
| 7 | NOT USED | | 1 | |
| 8 | 100005-05 | CLIP | 1 | |
| 9 | GB97.1-8 | WASHER, FLAT, 8MM | 9 | |
| 10 | GB93-8 | WASHER, LOCK, 8MM | 8 | |
| 11 | GB70-M8x25 | HEX BOLT, M8x25 | 4 | |
| 12 | MH5030R.00.09-01G | BELT COVER | 1 | |
| 13 | MH4025R.00.30 | HEX BOLT, M8x25 | 4 | |
| 14 | MH5030R.00.09-02GA | PLATE | 1 | |
| 15 | MH5030R.00.03 | MOUNTING PLATE, ENGINE | 1 | |
| 16 | MH4025R.00.18 | CLAMP | 1 | |
| 17 | MH4025R.00.13 | COLLAR, NYLON | 2 | |
| 18 | MH4025R.00.14 | SLEEVE | 2 | |
| 19 | MH4025R.00.24 | WASHER | 2 | |
| 20 | GB93-12 | WASHER, LOCK, 12MM | 2 | |
| 21 | GB5782-M12x60 | HEX BOLT, M12x60 | 2 | |
| 22 | MH5030R.00.12YZ | SLEEVE | 1 | |
| 23 | MH4012.00.20YZ | CLUTCH | 1 | |
| 24 | MH4012.00.23 | WASHER | 1 | |
| 25 | MH4012.00.22 | BOLT | 1 | |
| 26 | 782 | BELT | 1 | |
| 27 | GB70-M10x35 | HEX BOLT, M10x35 | 2 | |
| 28 | GB93-10 | WASHER, LOCK, 10MM | 2 | |
| 29 | GB70-M10x130 | HEX BOLT, M10x130 | 6 | |
| 30 | MH5030R.00.02 | EXCITER ASSEMBLY | 1 | |
| 31 | GB70-M8x20 | HEX BOLT, M8x20 | 4 | |
| 32 | MH4025R.00.01-03 | WHEEL ASSEMBLY | 2 | |
| 33 | MH5030R.00.01 | BASE PLATE ASSEMBLY | 1 | |
| 34 | JB1002-14 | GASKET | 2 | |
| 35 | JB1760-M14x1.5 | HEX BOLT, M14x1.5 | 2 | |
| 36 | GB6182-M12 | HEX NUT, M12 | 8 | |
| 37 | MH4025R.00.06 | WASHER | 4 | |

PARTS LIST 1

B2027R

GENERAL ASSEMBLY - cont.

| ITEM NO. | PART NO. | DESCRIPTION | QTY. | REMARK |
|----------|-------------------|-----------------------|------|--------|
| 38 | MH4025R.00.08 | VIBRATION DAMPER | 4 | |
| 39 | MH5030R.00.16 | RUBBER MAT | 1 | |
| 40 | MH5030R.00.07 | FIXING STRIP | 2 | |
| 41 | GB5782-M10x35 | HEX BOLT, M10x35 | 6 | |
| 42 | MH4025R.00.04.01 | HYDRAULIC PUMP SYSTEM | 1 | |
| 43 | GB70-M8x35 | HEX BOLT, M8x35 | 4 | |
| 44 | MH4025R.00.04.02A | HANDLE ASSEMBLY | 1 | |
| 45 | NOT USED | | | |
| 46 | NOT USED | | | |
| 47 | NOT USED | | | |
| 48 | NOT USED | | | |
| 49 | NOT USED | | | |
| 50 | GX200 | ENGINE | 1 | |
| 51 | NOT USED | | | |
| 52 | 5x33 | KEY | 1 | |
| 53 | GB5782-M8x45 | HEX BOLT, M8x45 | 4 | |
| 54 | GB97.1-8 | WASHER, FLAT, M8 | 4 | |
| 55 | GB6182-M8 | HEX NUT, M8 | 4 | |
| 56 | NOT USED | | | |
| 57 | NOT USED | | | |
| 58 | NOT USED | | | |
| 59 | NOT USED | | | |
| 60 | NOT USED | | | |
| 61 | NOT USED | | | |
| 62 | NOT USED | | | |

800-889-0661

PARTS LIST 2

B2027R

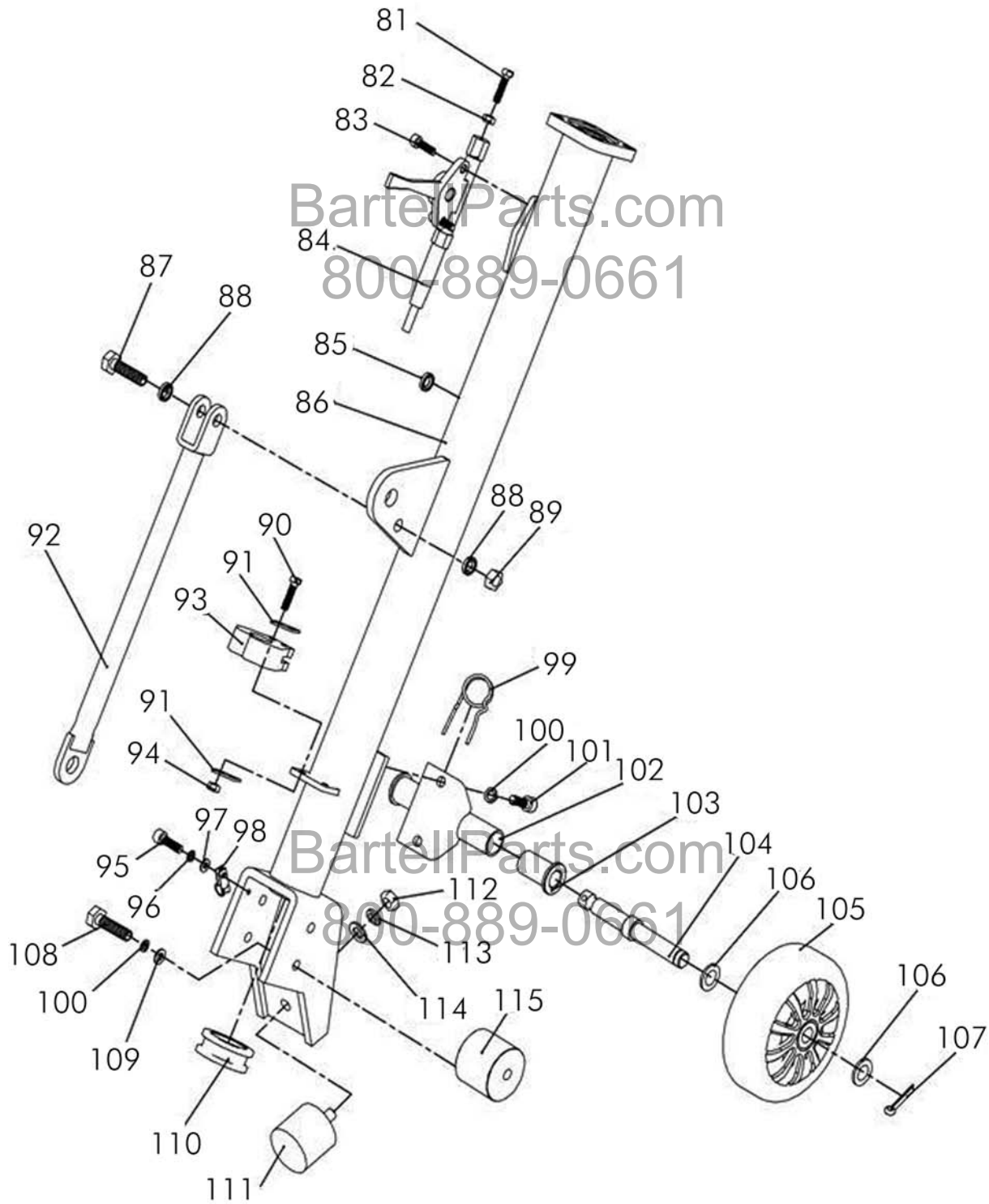
ROLL CAGE ASSEMBLY

| ITEM NO. | PART NO. | DESCRIPTION | QTY. | REMARK |
|----------|---------------------|--------------------|------|--------|
| 63 | 170001 | LATCH HANDLE | 1 | |
| 64 | MH5030R.00.05-08 | COVER, BACK | 1 | |
| 65 | GB5782-M8x25 | HEX BOLT, M8x25 | 16 | |
| 66 | GB97.1-8 | WASHER, FLAT, 8 | 16 | |
| 67 | GB93-8 | WASHER, LOCK, 8 | 18 | |
| 68 | GB6182-M8 | HEX NUT, M8 | 16 | |
| 69 | MH5030R.00.05GA | PROTECTIVE FRAME | 1 | |
| 70 | MH5030R.00.05-09-02 | COVER, RIGHT | 1 | |
| 71 | MH5030R.00.05-09-01 | COVER, LEFT | 1 | |
| 72 | MH5030R.00.05-07 | COVER, FRONT | 1 | |
| 73 | MH4012.00.21G | OIL DRAIN HOSE | 1 | |
| 74 | GB5782-M6x30 | HEX BOLT, M6x30 | 2 | |
| 75 | MH4012.00.18 | GASKET | 2 | |
| 76 | MH4012.00.17 | CLAMP, RUBBER | 1 | |
| 77 | GB6182-M6 | HEX NUT, M6 | 2 | |
| 78 | GB70-M8x15 | HEX BOLT, M8x15 | 2 | |
| 79 | MH4025R.00.15 | STRIP | 1 | |
| 80 | MH4025.00.10 | COVER, TOP, RUBBER | 1 | |

BartellParts.com
800-889-0661

PARTS LIST 3 B2027R

HANDLE ASSEMBLY



PARTS LIST 3

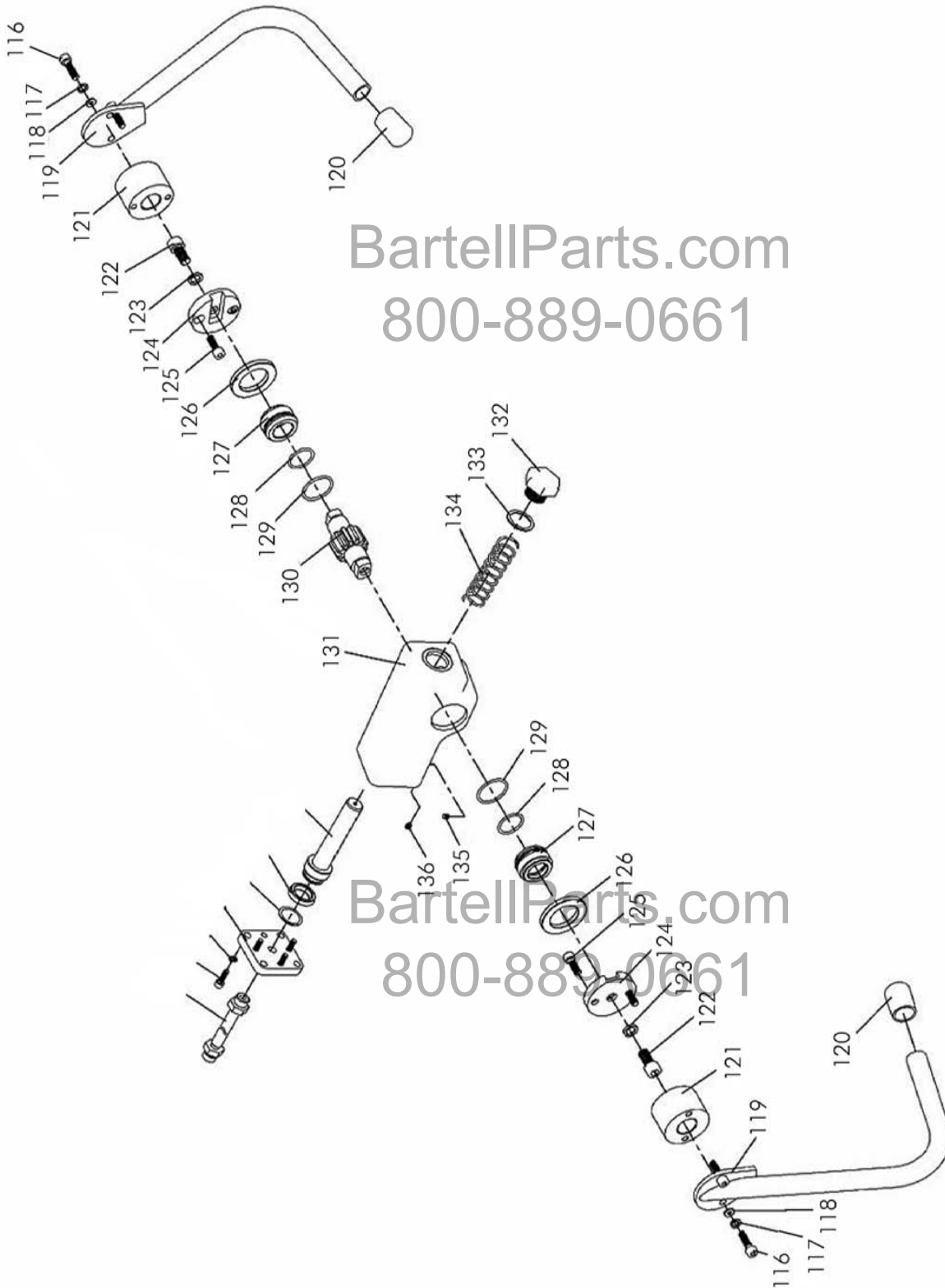
B2027R

HANDLE ASSEMBLY

| ITEM NO. | PART NO. | DESCRIPTION | QTY. | REMARK |
|----------|----------------------|-----------------------|------|--------|
| 81 | GB5782-M6x40 | HEX BOLT, M6x40 | 1 | |
| 82 | GB41-M6 | HEX NUT, M6 | 1 | |
| 83 | GB70.3-M6X20 | HEX BOLT, M6x20 | 2 | |
| 84 | MH5030R.00.19G | THROTTLE CONTROL ASSY | 1 | |
| 85 | MH4025R.00.26 | SLEEVE | 2 | |
| 86 | MH4025R.00.04.02-17A | HANDLE | 1 | |
| 87 | GB5782-M10x35 | HEX BOLT, M10x35 | 1 | |
| 88 | MH4025R.00.04.02-10 | SLEEVE, NYLON | 2 | |
| 89 | GB6182-M10 | HEX NUT, M10 | 1 | |
| 90 | GB5782-M6x30 | HEX BOLT, M6x30 | 2 | |
| 91 | MH4012.00.18 | GASKET | 2 | |
| 92 | MH4025R.00.04.02-09 | CONNECTING ROD | 1 | |
| 93 | MH4012.00.17 | CLAMP, RUBBER | 1 | |
| 94 | GB889-M6 | HEX NUT, M6 | 2 | |
| 95 | GB70-M5x16 | HEX BOLT, M5x16 | 1 | |
| 96 | GB93-5 | WASHER, LOCK, 5MM | 1 | |
| 97 | GB95-5 | WASHER, FLAT, 5MM | 1 | |
| 98 | 100005-05 | CLAMP | 1 | |
| 99 | MH4025R.00.31 | PIN | 1 | |
| 100 | GB93-8 | WASHER, LOCK, M8 | 6 | |
| 101 | GB70-M8x20 | HEX BOLT, M8x20 | 2 | |
| 102 | MH4025R.00.04.02-07 | CONNECTOR, WHEEL | 1 | |
| 103 | MH4025R.00.04.02-08 | SLEEVE, NYLON | 2 | |
| 104 | MH4025R.00.17-01 | WHEEL SHAFT | 1 | |
| 105 | MH4025R.00.17-03 | WHEEL | 2 | |
| 106 | MH4025R.00.17-02 | WASHER, NYLON | 4 | |
| 107 | GB91-4x25 | PIN | 2 | |
| 108 | GB5782-M8x20 | HEX BOLT, M8x20 | 4 | |
| 109 | GB97.1-8 | WASHER, FLAT, 8MM | 28 | |
| 110 | MH4025R.00.04.02-11 | SLEEVE, OIL HOSE | 1 | |
| 111 | MH4025R.00.04.02-12 | VIBRATION DAMPER | 1 | |
| 112 | GB6182-M10 | HEX NUT, M10 | 1 | |
| 113 | GB93-10 | WASHER, LOCK, 10MM | 1 | |
| 114 | GB97.1-10 | WASHER, FLAT, 10MM | 1 | |
| 115 | 3006400-2 | VIBRATION DAMPER | 2 | |

PARTS LIST 4 B2027R

CONTROL VALVE ASSEMBLY



PARTS LIST 4

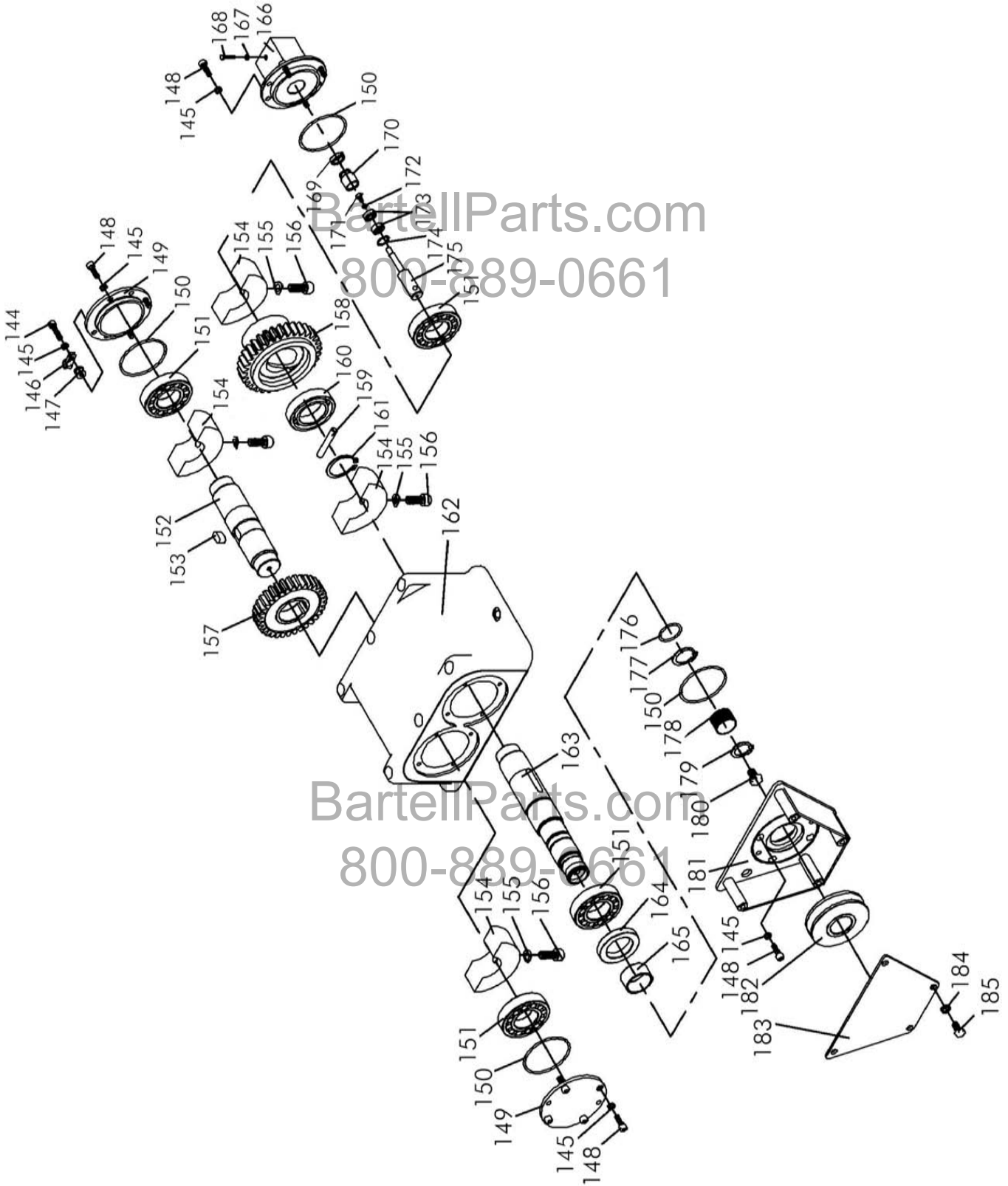
B2027R

CONTROL VALVE ASSEMBLY

| ITEM NO. | PART NO. | DESCRIPTION | QTY. | REMARK |
|----------|---------------------|----------------------|------|--------|
| 116 | GB70-M8x25 | HEX BOLT, M8x25 | 4 | |
| 117 | GB93-8 | WASHER, LOCK, 8MM | 4 | |
| 118 | GB97.1-8 | WASHER, FLAT, 8MM | 4 | |
| 119 | MH4025R.00.04.01-01 | HANDLE | 2 | |
| 120 | MH4025R.00.04.01-02 | SLEEVE | 2 | |
| 121 | MH4025R.00.04.01-03 | SHOCK MOUNT | 2 | |
| 122 | GB70-M12x25 | HEX BOLT, M12x25 | 2 | |
| 123 | GB93-12 | WASHER, LOCK, 12MM | 2 | |
| 124 | MH4025R.00.04.01-07 | PLATE | 2 | |
| 125 | GB70-M8x20 | HEX BOLT, M8x20 | 4 | |
| 126 | MH4025R.00.04.01-11 | WASHER, NYLON | 2 | |
| 127 | MH4025R.00.04.01-06 | SLEEVE | 2 | |
| 128 | SXYB-OXQ-1 | O-RING | 2 | |
| 129 | SXYB-OXQ-2 | O-RING | 2 | |
| 130 | MH4025R.00.04.01-05 | PINION | 1 | |
| 131 | MH4025R.00.04.01-04 | CASE, HYDRAULIC PUMP | 1 | |
| 132 | JB1000-M27x1.5 | PLUG, SOCKET | 1 | |
| 133 | JB1002-27 | GASKET | 1 | |
| 134 | MH4025R.00.04.01-10 | SPRING | 1 | |
| 135 | GB1016-6x6 | BOLT, 6x6 | 2 | |
| 136 | GB73-M6x8 | BOLT, M6x8 | 1 | |
| 137 | MH4025R.00.04.01-09 | CONTROL PISTON | 1 | |
| 138 | SXYB-HCMF | GASKET | 1 | |
| 139 | SXYB-OXQ-3 | O-RING | 1 | |
| 140 | MH4025R.00.04.01-08 | INTERMEDIATE FLANGE | 1 | |
| 141 | GB93-6 | WASHER, LOCK, 6MM | 4 | |
| 142 | GB70-M6x20 | HEX BOLT, M6x20 | 4 | |
| 143 | MH5030R.00.20 | OIL HOSE, HYDRAULIC | 1 | |

PARTS LIST 5 B2027R

EXCITER ASSEMBLY



PARTS LIST 5

B2027R

EXCITER ASSEMBLY

| ITEM NO. | PART NO. | DESCRIPTION | QTY. | REMARK |
|----------|---------------------|----------------------|------|--------|
| 144 | GB70-M6x30 | HEX BOLT, M6x30 | 1 | |
| 145 | GB93-6 | WASHER, LOCK, 6MM | 16 | |
| 146 | 100016-016 | CLAMP | 1 | |
| 147 | MH4025R.00.29 | WASHER | 1 | |
| 148 | GB70-M6x20 | HEX BOLT, M6x20 | 15 | |
| 149 | MH4025R.00.02-07 | BEARING COVER | 2 | |
| 150 | SXZOXT-OXQ-1 | O-RING | 4 | |
| 151 | DXZDXT-ZC | BEARING | 4 | |
| 152 | MH4025R.00.02-08 | SHAFT | 1 | |
| 153 | GB1096-10x18 | KEY | 1 | |
| 154 | MH5030R.00.02-05 | ECCENTRIC WEIGHT | 4 | |
| 155 | DIN796-10 | SPRING WASHER | 4 | |
| 156 | GB70-M10x25 | HEX BOLT, M10x25 | 4 | |
| 157 | MH4025R.00.02-09 | GEAR WHEEL | 1 | |
| 158 | MH4025R.00.02-03 | GEAR | 1 | |
| 159 | MH4025R.00.02-04 | PIN | 1 | |
| 160 | SXZDXT-ZC-1 | BEARING | 1 | |
| 161 | GB894.1-40 | RETAINING RING, 40MM | 1 | |
| 162 | MH4025R.00.02-01 | EXCITER HOUSING | 1 | |
| 163 | MH4025R.00.02-02 | SPINDLE | 1 | |
| 164 | SXZDXT-CXMFQ | OIL SEAL | 1 | |
| 165 | DXZDXT-GZZCNQ | INNER BEARING | 1 | |
| 166 | MH4025R.00.02-06 | CYLINDER COVER | 1 | |
| 167 | JB1002-6 | GASKET | 1 | |
| 168 | GB5783-M6x12 | HEX BOLT, M6x12 | 1 | |
| 169 | SXZDXT-XJMFQ | GASKET, RUBBER | 1 | |
| 170 | MH4025R.00.02.01-02 | SLEEVE | 1 | |
| 171 | GB70-M5x10 | HEX BOLT, M5x10 | 1 | |
| 172 | GB97.1-5 | WASHER, FLAT, 5MM | 1 | |
| 173 | SXZDXT-BCQ | BEARING | 2 | |
| 174 | GB893.1-22 | RETAINING RING, 22MM | 1 | |
| 175 | MH4025R.00.02.01-01 | ROTARY SHAFT | 1 | |

PARTS LIST 5

B2027R

EXCITER ASSEMBLY - cont.

| ITEM NO. | PART NO. | DESCRIPTION | QTY. | REMARK |
|----------|---------------------|----------------------|------|--------|
| 176 | SXZDXT-OXQ-2 | O-RING | 1 | |
| 177 | GB894.1-35 | RETAINING RING, 35MM | 1 | |
| 178 | SXZDXT-BCQ | SHAFT SEAL | 1 | |
| 179 | GB894.1-32 | RETAINING RING, 32MM | 1 | |
| 180 | MH4025R.00.02-11 | BOLT | 1 | |
| 181 | MH4025R.00.02.02.OA | BELT COVER | 1 | |
| 182 | MH4025R.00.02-10 | PULLEY | 1 | |
| 183 | MH4025.00.02.02-04 | COVER PLATE | 1 | |
| 184 | GB93-8 | WASHER, LOCK, 8MM | 4 | |
| 185 | GB5782-M8x15 | HEX BOLT, M8x15 | 4 | |

BartellParts.com
800-889-0661

PARTS LIST 6 B2027R

LABELS



BartellParts.com
800-889-0661

| ITEM NO. | PART NO. | DESCRIPTION | QTY. | REMARK |
|----------|----------|-----------------------------------|------|--------|
| A | PC230 | WARNING LABEL - HOT BESIDE | 1 | |
| B | PC231 | WARNING LABEL - HOT BELOW | 1 | |
| C | PC140 | DANGER LABEL - GENERAL | 1 | |
| D | PC110 | WARNING LABEL - PPE | 1 | |
| E | PC400 | WARNING LABEL - FINGER HAZARD | 1 | |
| F | 109dB | NOTICE LABEL - NOISE | 1 | |
| G | PC220 | INSTRUCTION LABEL - THROTTLE | 1 | |
| H | PC200 | INSTRUCTION LABEL - LIFT POINT | 1 | |
| J | PC221 | INSTRUCTION LABEL - THROTTLE | 1 | |
| K | PC211 | CAUTION LABEL - READ INSTRUCTIONS | 1 | |