

OPERATION AND PARTS MANUAL



Mikasa SERIES
MODEL MVH-120GH
REVERSIBLE PLATE COMPACTOR
**(HONDA GX160K1SM12/GX160U1SM12/
GX160U1SMX4
GASOLINE ENGINE)**

Revision #3 (10/24/07)

THIS MANUAL MUST ACCOMPANY THE EQUIPMENT AT ALL TIMES.

Proposition 65 Warning	2
Table Of Contents	4
Parts Ordering Procedures	5
Safety	6-7
Rules For Safe Operation	8-9
Specifications	10
General Information	11

Multiquip MVH120GH — Plate Compactor

Components (Plate Compactor)	12
Components (Honda Engine)	13
Inspection	14-15
Initial Start-Up	16-17
Operation	18
Maintenance	19-21
Preparation For Long Term Storage	22
Troubleshooting (Engine)	23-24
Troubleshooting (Plate Compactor)	25
Explanation Of Codes In Remarks Column	26
Suggested Spare Parts	27
Name Plate And Decals	28-29
Vibrating Plate Assembly	30-31
Body Assembly	32-35
Vibrator Assembly	36-39
Control Assembly	40-43

Honda GX160 Engine

Cylinder Head Assembly	44-45
Cylinder Barrel Assembly	46-47
Crankcase Cover Assembly	48-49
Crankshaft Assembly	50-51
Piston Assembly	52-53
Camshaft Assembly	54-55
Recoil Starter	56-57
Fan Cover Assembly	58-59
Carburetor Assembly	60-61
Air Cleaner Assembly	62-63
Muffler Assembly	64-65
Fuel Tank Assembly	66-67
Flywheel Assembly	68-69
Ignition Coil Assembly	70-71
Control Assembly	72-73
Label Assembly	74-75
Tool Assembly	76-77

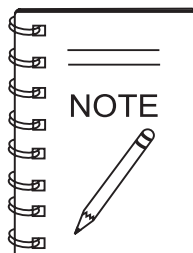
Terms and Conditions Of Sale — Parts	78
--	----



***Specification and part number
are subject to change without
notice.***

FOR YOUR SAFETY AND SAFETY OF OTHER

Safety precautions should be followed at all times when operating this equipment. Failure to read and understand the Safety Messages and Operating Instructions could result in injury to yourself and others.



This manual has been developed to provide complete instructions for the safe and efficient operation of this equipment. Refer to the engine manufacturer's instructions for data relative to its safe operation.

Before using this equipment ensure that the operating individual has read and understood all instructions in this manual.

SAFETY MESSAGE ALERT SYMBOLS

The three Safety Messages shown below will inform you about potential hazards that could injure you or others. The Safety Messages specifically address the level of exposure to the operator, and are preceded by one of three words: **DANGER**, **WARNING**, or **CAUTION**.

DANGER

You **WILL** be **KILLED** or **SERIOUSLY INJURED** if you **DO NOT** follow these directions.

WARNING

You **CAN** be **KILLED** or **SERIOUSLY INJURED** if you **DO NOT** follow these directions.

CAUTION

You **CAN** be **INJURED** if you **DO NOT** follow these directions.

HAZARD SYMBOLS

Potential hazards associated with the operation of this equipment will be referenced with Hazard Symbols which appear throughout this manual, and will be referenced in conjunction with Safety Message Alert Symbols.

WARNING — Lethal Exhaust Gas Hazards



Engine fuel exhaust gases contain poisonous carbon monoxide. This gas is colorless and odorless, and can cause death if inhaled. **NEVER** operate this equipment in a confined area or enclosed structure that does not provide ample free flow air.

WARNING — Explosive Fuel Hazards



Fuel is extremely flammable and its vapors can cause an explosion if ignited. **DO NOT** start the engine near spilled fuel or combustible fluids.

DO NOT fill the fuel tank while the engine is running or hot. **DO NOT** overfill tank, since spilled fuel could ignite if it comes into contact with hot engine parts or sparks from the ignition system. Store fuel in approved containers, in well-ventilated areas and away from sparks and flames.

WARNING — Burn Hazards



Engine components can generate extreme heat. To prevent burns, **DO NOT** touch these areas while the engine is running or immediately after operation. Never operate the engine with heat shields or heat guards removed.

WARNING — Respiratory Hazards



ALWAYS wear approved respiratory protection when required.

CAUTION — Rotating Parts Hazards



NEVER operate equipment with covers or guards removed. Keep fingers, hands, hair and clothing away from all moving parts to prevent injury.

CAUTION — Accidental Starting Hazards



ALWAYS place the equipment ON/OFF switch in the OFF position when the equipment is not in use.

CAUTION — Eye and Hearing Hazards



ALWAYS wear approved eye and hearing protection.

CAUTION — Overspeed Conditions



NEVER tamper with the factory setting of the engine governor. Personal injury and equipment damage can result if operating in speed ranges above the maximum allowable.

CAUTION — Equipment Damage Hazards

Other important messages are provided throughout this manual to help prevent damage to your equipment, other property, or the surrounding environment.

RULES FOR SAFE OPERATION

WARNING — Read This Manual

Failure to follow instructions in this manual may lead to serious injury or even **DEATH!** This equipment is to be operated by trained and qualified personnel only! This equipment is for industrial use only.

■ **DO NOT** operate or service this equipment before reading this entire manual.

■ This equipment should not be operated by persons under 18 years of age.

■ **NEVER** operate this equipment without proper protective clothing, shatterproof glasses, steel-toed boots and other protective devices required by the job.



■ **NEVER** operate this equipment when not feeling well due to fatigue, illness or when under medication.



■ **NEVER** operate this equipment under the influence of drugs or alcohol.



■ **NEVER** disconnect any "**emergency or safety devices**". These devices are intended for operator safety. Disconnection of these devices can cause severe injury, bodily harm or even death! Disconnection of any of these devices will void all warranties.

■ **NEVER** use accessories or attachments that are not recommended by Multiquip for this equipment. Damage to the equipment and/or injury to user may result.

■ Manufacturer does not assume responsibility for any accident due to equipment modifications. Unauthorized equipment modification will void all warranties.

■ Whenever necessary, replace nameplate, operation and safety decals when they become difficult to read.

■ **ALWAYS** check the equipment for loosened threads or bolts before starting.

■ **NEVER** touch the hot exhaust manifold, muffler or cylinder. Allow these parts to cool before servicing engine or equipment.



■ **ALWAYS** allow the engine to cool before adding fuel or performing service and maintenance functions. Contact with *hot* components can cause serious burns.

■ **NEVER** operate this equipment in any enclosed or narrow area where free flow of the air is restricted. The engine of this equipment requires an adequate free flow of cooling air. If the air flow is restricted it will cause serious damage to the equipment or engine and may cause injury to people and property. Remember the engine gives off **DEADLY** gases.



■ **ALWAYS** refuel in a well-ventilated area, away from sparks and open flames.

■ **ALWAYS** use extreme caution when working with **flammable** liquids. When refueling, **stop** the engine and allow it to cool.

■ **DO NOT** smoke around or near the equipment. Fire or explosion could result from fuel vapors, or if fuel is spilled on a hot engine.



■ **NEVER** operate the equipment in an explosive atmosphere or near combustible materials. An explosion or fire could result causing severe **bodily harm or even death**.



■ **DO NOT** top-off fuel tank. Topping-off is dangerous as it causes fuel to spill.

■ **ALWAYS** store the equipment in a clean, dry location out of the reach of children.

■ **NEVER** run engine without air cleaner. Severe engine damage may occur.

■ **NEVER** leave the equipment unattended with the engine running. Turn off engine when unattended.

■ **CAUTION** must always be observed while servicing this equipment. Rotating parts can cause injury if contacted.

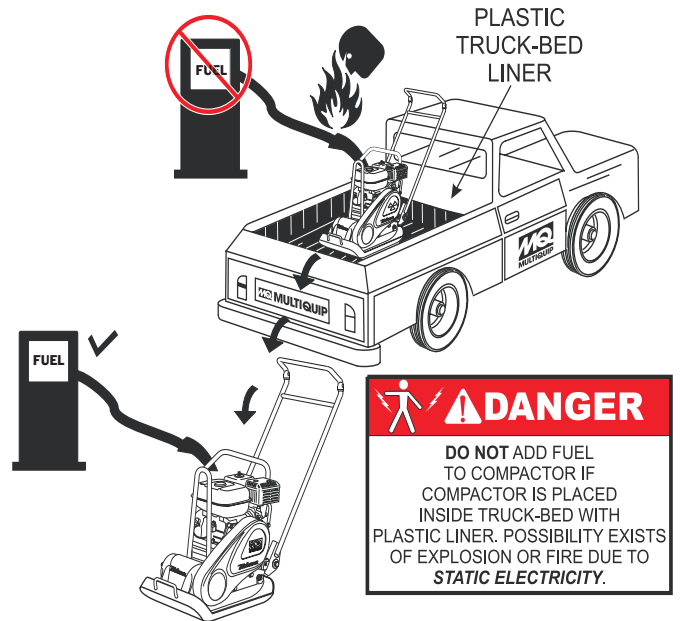
RULES FOR SAFE OPERATION

- Before lifting, make sure that equipment parts (hook and vibration insulator) are not damaged and screws are not loosened or lost.
- **ALWAYS** make sure crane or lifting device has been properly secured to the lifting bail (hook) of the equipment.
- **NEVER** lift the equipment while the engine is running.
- Use adequate lifting cable (wire or rope) of sufficient strength.
- Use one point suspension hook and lift straight upwards.
- **NEVER** allow any person or animal to stand underneath the equipment while lifting.
- Do not to lift machine to unnecessary heights.
- **ALWAYS** shutdown engine before transporting.



- Tighten fuel tank cap securely and close fuel cock to prevent fuel from spilling.
- Drain fuel when transporting equipment over long distances or bad roads.
- **ALWAYS** tie down the equipment during transport by securing the equipment with rope.

REFUELING



MAINTENANCE SAFETY

- **NEVER** lubricate components or attempt service on a running machine.
- **ALWAYS** allow the machine a proper amount of time to cool before servicing.
- Keep the equipment in proper running condition.
- Fix damage to the equipment immediately and always replace broken parts.
- Dispose of hazardous waste properly. Examples of potentially hazardous waste are used motor oil, fuel and fuel filters.
- **DO NOT** use food or plastic containers to dispose of hazardous waste.
- **DO NOT** pour waste, oil or fuel directly onto the ground, down a drain or into any water source.

TABLE 1. COMPACTOR SPECIFICATIONS

Model	MVH-120GH
Centrifugal Force	5,200 lbs. (2,350 kg)
Number of Vibrations	6,000 v/min
Traveling Speed	75 ft./min (23 meters/min)
Plate Size (LxW)	23 x 15.7 x 39 in. (584 x 399 mm)
Dimensions (LxWxH)	35.4 x 15.7 x 39 in. (900 x 399 x 990 mm)
Operating Weight	247 lbs. (111 kg.)

TABLE 2. ENGINE SPECIFICATIONS

Engine Make	HONDA
Engine Model	GX160K1SM12, GX160U1SM12, GX160U1SMX4
Engine Type	OHV Gasoline Engine
Number Of Cylinders	1
Displacement	9.9 cu. in (163 cc)
Maximum Output	5.5 H.P./3,600 rpm
Oil Grade	See Table 3
Oil Capacity	1.3 pints (0.6 liters)
Fuel Type	Unleaded
Fuel Tank Capacity	3.8 qt. (3.6 liters)
Dry Weight	33 lbs. (15 kg)
Starting Method	Recoil Start

Definition of Plate Compactor

The Mikasa MVH-120GH is a walk-behind, reversible plate compactor design for the compaction of sand, clay and asphalt. This plate compactor is a powerful compacting tool capable of applying a tremendous force in consecutive high frequency vibrations to a soil surface. Its applications include soil compacting for road, embankments and reservoirs as well as backfilling for gas pipelines, water pipelines and cable installation work.

Vibratory Plates

The vibratory plates of the MVH-120GH produce low amplitude high frequency vibrations, designed to compact granular soils.

The resulting vibrations cause forward motion. The engine and handle are vibration-isolated from the vibrating plate. The heavier the plate, the more compaction force it generates.

Reversible Vibratory Plates

Reversible vibratory plates have two eccentric weights that allow a smooth transition for forward and reverse travel, plus increased compaction force as the result of dual weights.

Due to their weight and force, reversible plates are ideal for semi-cohesive soils.

Frequency/Speed

The compactor's vibrating plate has a frequency range between 2500 to 6000 vpm (vibrations per minute). The forward and reverse travel speed of the compactor is approximately 75 feet/minute (23 meters/minute).

Engine

The Mikasa MVH-120GH Plate Compactor is equipped with a Honda air-cooled, 4-cycle, gasoline engine.

Controls

Before starting the MVH-120GH Plate Compactor, identify and understand the function of the controls and components as indicated in Figure 1.

MVH-120GH — COMPONENTS (PLATE COMPACTOR)

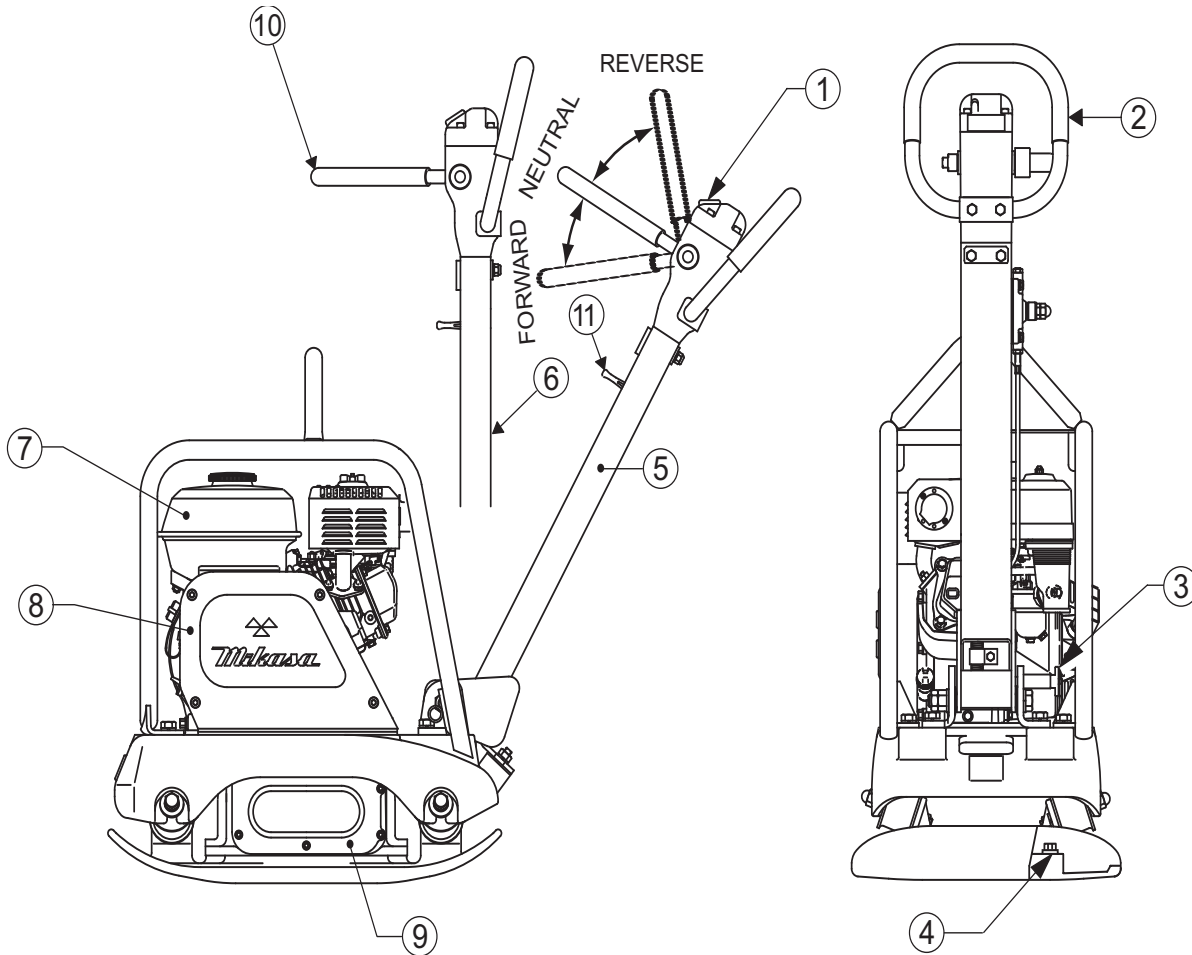


Figure 1. Compactor Controls

Figures 1 and 2 show the location of the controls, indicators and general maintenance parts. The function of each control is described below:

1. **Breather Cap** – Remove this cap to bleed (remove air) the hydraulic system. When replacing hydraulic oil, use "Shell Tellus #46 or equivalent".
2. **Hand Grip** – When operating the compactor use this hand grip to maneuver the compactor.
3. **Handle Lock** – Pull handle bar downward (working position), then pull handle lock to lock handle bar in place.
4. **Vibration Case Oil Level Check Plug** – Remove this plug to check the vibration case oil. Oil level should be all the way up to the filler port. When replacing vibration case oil, use 10W-30 engine oil.
5. **Handle Bar (working position)** – When operating the compactor, this handle is to be in the downward position.
6. **Handle Bar (stored position)** – When the compactor is to be **stored**, move the handle bar to the upright position.
7. **Gasoline Engine** – This plate compactor uses a HONDA GX160 engine. Refer to the HONDA owner's manual for engine information.
8. **Belt Cover** – Remove this cover to gain access to the V-belts. **NEVER** run the compactor without the V-belt cover. If the V-belt cover is not installed, your hand may get caught between the V-belt and clutch, thus causing serious injury and bodily harm.
9. **Vibration Case** – Encloses the eccentric gears and counter weights.
10. **Forward & Reverse Lever** – **Push** the lever forward, the compactor will move in a forward direction. **Pull** the lever backwards, the compactor will move in backwards direction. Placing the lever in the middle (midway) will cause the compactor not to move (neutral).
11. **Throttle Control** – Move the throttle lever to the **rabbit** position for full throttle (max RPMs). For engine idle, move the throttle lever to the **turtle** position.

MVH-120GH — COMPONENTS (HONDA GX160 ENGINE)

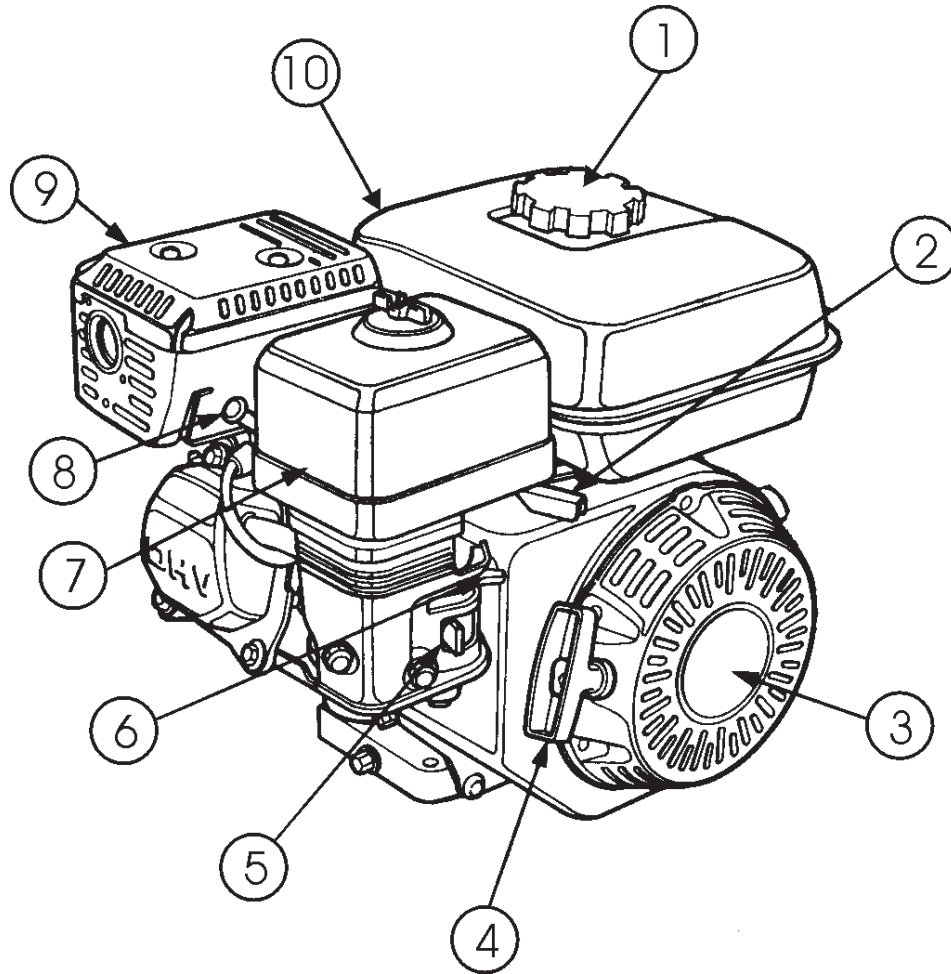


Figure 2. Engine Controls & Components

1. **Fuel Filler Cap** – Remove this cap to add unleaded gasoline to the fuel tank. Make sure cap is tighten securely. **DO NOT** over fill.
2. **Throttle Lever** – Used to adjust engine speed (fast-slow).
3. **Recoil Starter (pull rope)** – Type of engine starting method. Alternate type would be electric start (ignition key).
4. **Starter Grip** – Grip this handle to start engine. See engine starting section of this manual.
5. **Fuel Valve Lever** – **OPEN** to let fuel flow, **CLOSE** to stop the flow of fuel.
6. **Choke Lever** – Used in the starting of a cold engine, or in cold weather conditions. The choke enriches the fuel mixture.
7. **Air Cleaner** – Prevents dirt and other debris from entering the fuel system. Remove wing-nut on top of air filter cannister to gain access to filter element.
8. **Spark Plug** – Provides spark to the ignition system. Set spark plug gap to 0.6 - 0.7 mm (0.028 - 0.031 inch). Clean spark plug once a week.
9. **Muffler** – Used to reduce noise and emissions.
10. **Fuel Tank** – Holds 3.6 liters (approximately 1 gallon) of unleaded gasoline.

Before Starting

1. Read safety instructions at the beginning of manual.
2. Clean the compactor, removing dirt and dust. Particularly, the bottom of the plate, engine cooling air inlet, carburetor and air cleaner.
3. Check the air filter for dirt and dust. If the air filter is dirty, blow through the air filter cartridge from the inside, moving a jet of dry compressed air up and down until all dust is removed. Otherwise replace air filter with a new one.
4. Check carburetor for external dirt and dust. Clean with dry compressed air.
5. Check fastening nuts and bolts for tightness. Loosened screws or bolts due to vibration, could lead to unexpected accident.



The Oil Alert system will automatically stop the engine before the engine falls below safe limits. Always be sure to check the engine oil level prior to starting the engine.

Engine Oil Check

1. To check the engine oil level, place the plate compactor on secure level ground with the engine stopped.
2. Remove the filler cap/dipstick from the engine oil filler hole (Figure 3) and wipe it clean.

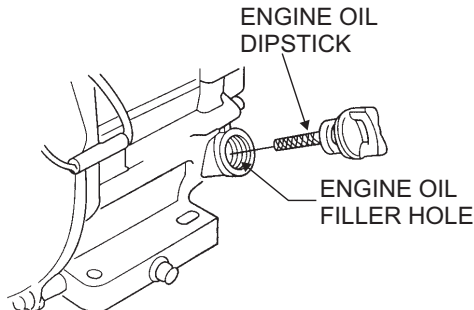


Figure 3. Engine Oil Dipstick

3. Insert and remove the dipstick without screwing it into the filler neck. Check the oil level shown on the dipstick.
4. If the oil level is low (Figure 4), fill to the edge of the oil filler hole with the recommended oil type (Table 3). Maximum oil capacity is 400 cc.

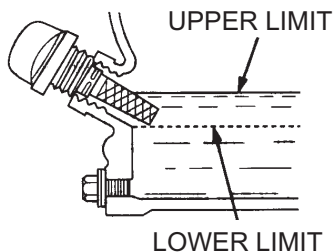


Figure 4. Engine Oil Dipstick

Table 3. Oil Type

Season	Temperature	Oil Type
Summer	25°C or Higher	SAE 10W-30
Spring/Fall	25°C~10°C	SAE 10W-30/20
Winter	0°C or Lower	SAE 10W-10

Gasoline Check

1. Remove the gasoline cap located on top of fuel tank.
2. Visually inspect to see if fuel level is low. If fuel is low, replenish with unleaded fuel.
3. When refueling, be sure to use a strainer for filtration. **DO NOT** top-off fuel. Wipe up any spilled fuel.

Vibrator Oil Check

1. Place the MVH-120GH horizontally on a flat surface.
2. Check vibrator oil level by removing bolt (vibrator oil gauge) as shown in Figure 5. Use a 14 mm wrench to remove bolt. The vibrator oil level should be maintained between the two markings as shown in Figure 5. If oil is required, replace using SAE 10W-30.

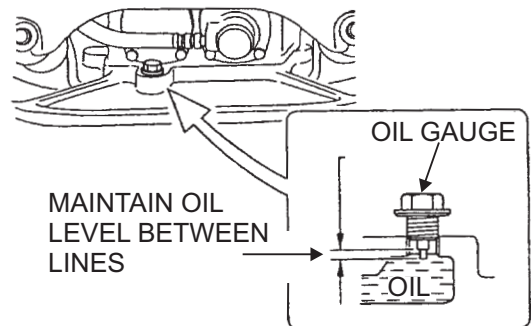


Figure 5. Vibrator Oil Gauge

Vibrator Oil Check

1. With handle bar positioned vertically (storage position), remove the breather cap (Figure 6) from the breather plug.
2. Use a 24 mm wrench and remove breather plug (Figure 6). Visually check to see if hydraulic oil comes up to the oil level line that is etched on the back side of the handle.

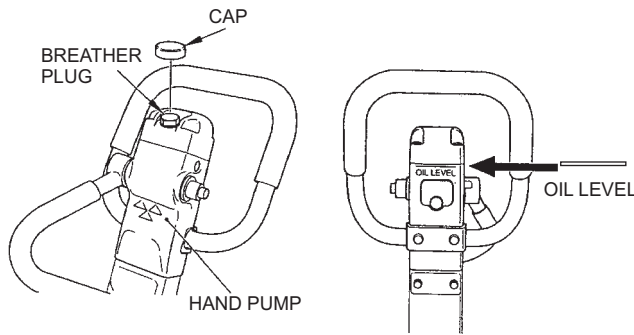


Figure 6. Vibrator Oil Gauge

2. If the hydraulic oil level is low, replace with "Shell Tellus" oil #46 or equivalent.

V-Belt Check

CAUTION

NEVER attempt to check the V-belt with the engine running. Severe injury can occur if your hand (Figure 7) gets caught between the V-belt and the clutch. Always use safety gloves.

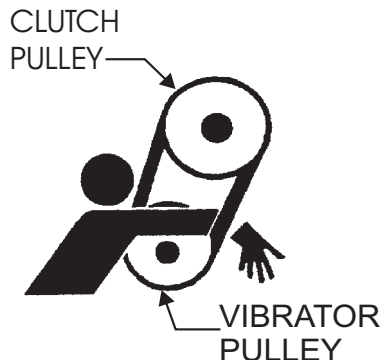


Figure 7. V-Belt Hazard

1. To check the V-belt tension (Figure 8), remove **upper** belt cover.

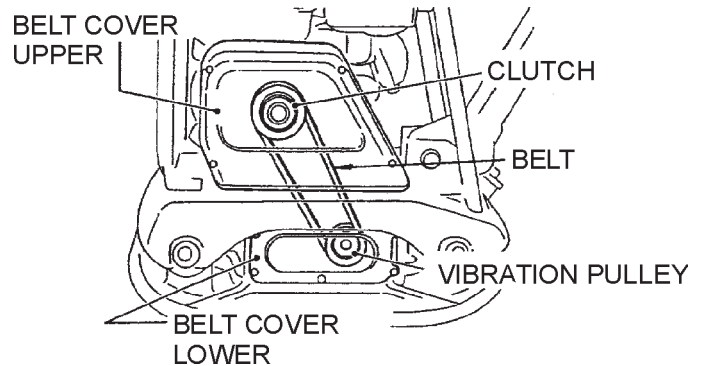


Figure 8. V-Belt Location

2. The V-belt tension is proper if the V-belt bends 10 to 15 mm (Figure 9) when depressed with finger at midway between the clutch and vibration pulley shafts.

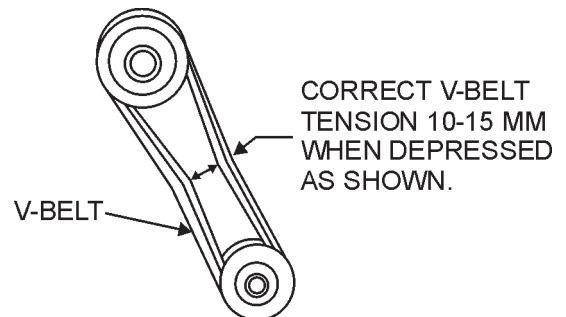
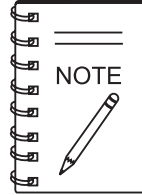


Figure 9. V-Belt Tension

3. A loose V-belt will decrease the power transmission output, causing reduced compaction and premature wear of the belt. V-belt in use is RPF-3320 (A-32 is also usable).
4. If the V-belt becomes worn or loose, replace it by using V-belt part number RPF-3320 or A-32.

CAUTION

DO NOT attempt to run the compactor until the Safety and Initial Start-up sections have been read,



The **CLOSED** position of the choke lever enriches the fuel mixture for starting a **COLD** engine. The **OPEN** position provides the correct fuel mixture for normal operation after starting, and for restarting a warm engine.

1. Place the **fuel valve lever** (Figure 10) in the "ON" position.

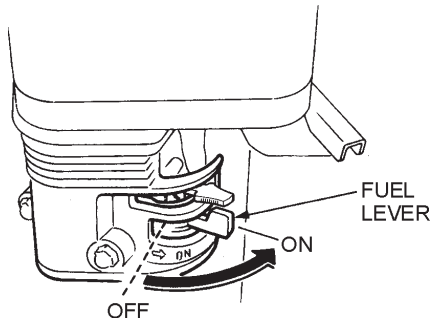


Figure 10. Fuel Valve Lever

2. Place the **Engine ON/OFF switch** (Figure 11) in the "ON" position.

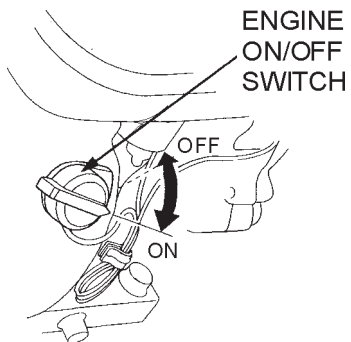


Figure 11. Engine ON/Off Switch

3. Place the **Choke Lever** (Figure 12) in the "OPEN" position.

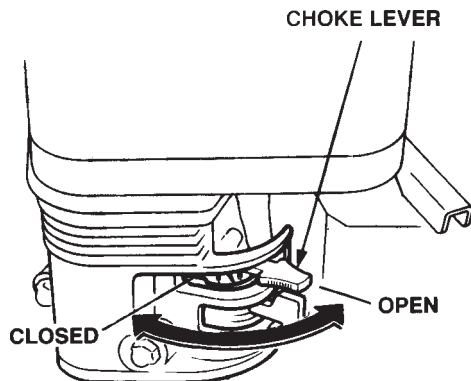


Figure 12. Choke Lever

4. Place the **throttle lever** (Figure 13) halfway between **fast** and **slow**.

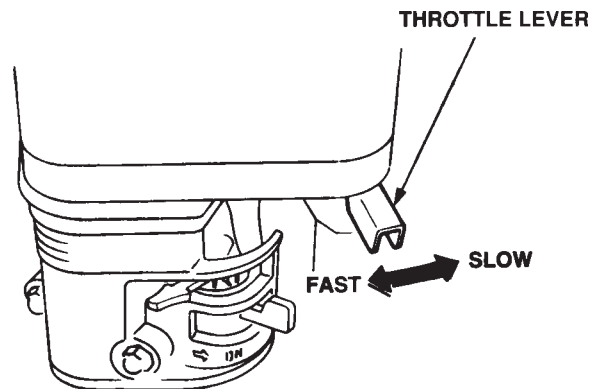


Figure 13. Engine Throttle Lever



Some compactor units may be equipped with a throttle lever (Figure 13A) that is located in the vicinity of the hydraulic pump. This throttle lever is connected to the engine throttle linkage.

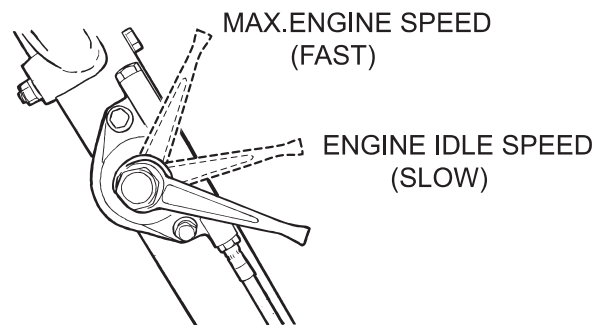


Figure 13A. Engine Throttle Lever

5. Grasp the starter grip (Figure 14) and slowly pull it out. The resistance becomes the hardest at a certain position, corresponding the compression point. Rewind the rope a little from that point and pull out sharply.

⚠ CAUTION

- **DO NOT** pull the starter rope all the way to the end.
- **DO NOT** release the starter rope after pulling. Allow it to rewind as soon as possible.

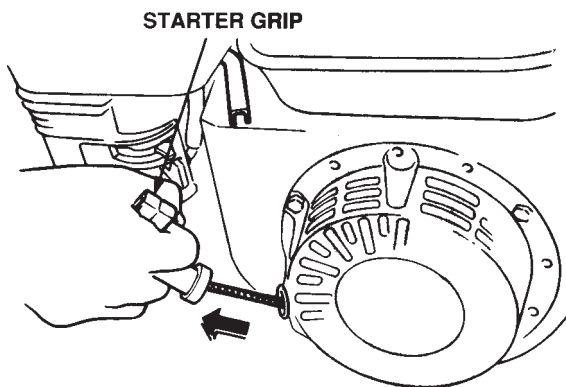


Figure 14. Starter Grip

6. If the engine has started, slowly return the choke lever (Figure 12) to the **CLOSED** position. If the engine has not started, repeat steps 1 through 5.
7. Before the compactor is put into operation, run the engine for 3 to 5 minutes.
8. Check for abnormal engine noises or fuel leaks.

Stopping the Engine

⚠ CAUTION

NEVER stop the engine suddenly while working at high speeds.

1. Place the **throttle lever** (Figure 13 or 13A) in **slow** position, and listen for the engine speed to decrease.
2. Place the **engine ON/OFF switch** (Figure 11) in the **"OFF"** position.
3. Place the **fuel valve lever** (Figure 10) in the **"OFF"** position.

Operation

CAUTION

Make sure to follow all safety rules referenced in the safety section of this manual before operating compactor. Keep work area clear of debris and other objects that could cause damage to the compactor or bodily injury.

1. Grasp the compactor's hand grip (Figure 15), and move the engine throttle lever quickly from the **turtle** position (idle) to the **rabbit** position (full throttle) position.
2. Run the compactor at full throttle (3,600 RPM's), the centrifugal clutch will automatically engage when the engine speed reaches 2,300 RPM.



Always move the throttle lever quickly without hesitation, because increasing the engine speed slowly causes the clutch to slip.

3. To make the compactor move in the forward direction push the travel lever (Figure 15) forward.

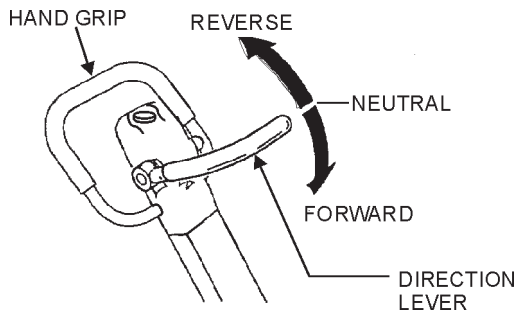


Figure 15. Direction Lever

4. To make the compactor move in the reverse direction pull the travel lever (Figure 15) backwards.
5. Firmly grasp the compactor's hand grip, the compactor will begin moving in the desired position when the direction lever has been placed in the desired position.
6. Slowly walk behind the compactor and be on the lookout for any large objects or foreign matter that might cause damage to the compactor or bodily injury.

CAUTION

- Moving the direction lever back and forth a few times after the engine has been turned off, will cause the lever to be locked in the forward position.
 - **DO NOT** try to operate lever forcibly. The direction lever will operate normally when the engine is started and the compactor is in action.
7. Compactor traveling speed may drop on soils which contain clay, however there may be cases where traveling speed drops because the compaction plate does not leave the ground surface easily due to the composition of the soil. To rectify this problem do the following:
 - Check the bottom plate to see if clay or similar material has been lodged in the plate mechanism. If so, wash with water and remove.
 - Keep in mind that the compactor does not work as efficiently on clay or soils that have a high moisture content level.
 - If the soil has a high moisture level, dry soil to appropriate moisture content level or carry out compaction twice.

CAUTION

Inspection and other services should **always** be carried out on solid and level ground with the engine shut down.

CAUTION

These inspection intervals are for operation under normal conditions. Adjust your inspection intervals based on the number of hours plate compactor is in use, and particular working conditions.

Inspection and Maintenance Service Tables.

- To make sure your plate compactor is always in good working condition before using, carry out the maintenance inspection in accordance with Tables 4 through 6.

TABLE 4. MACHINE INSPECTION

Item	Hours of Operation
Starting check	Every 8 hours (every day)
Loosened or lost screws	Every 8 hours (every day)
Damaged parts	Every 8 hours (every day)
Function of controlling system part	Every 8 hours (every day)
Hydraulic system leak	Every 100 hours
Vibrator oil check	Every 300 hours
Vibrator oil replacement	Every 100 hours
Hydraulic oil check	Every 200 hours then every 1000 hrs.
V-belt (clutch) check	Every 200 hour

TABLE 5. ENGINE CHECK

(For details, see separate Engine Manual)	
Item	Hours of Operation
Leakage of oil or fuel	Every 8 hours (every day)
Tightness of fastening threads	Every 8 hours (every day)
Engine oil check and replenishment	Every 8 hours (every day)(Replenish to specified max. level)
Engine oil replenishment	At first 20 hours, then every 100 hours
Air cleaner cleaning	Every 50 hours

CAUTION

Fuel piping and connections should be replaced every 2 years.

Daily Service

- Check for leakage of fuel or oil.
- Check for loose screws including tightness. See Table 6 below (tightening torque), for retightening:

TABLE 6.

TIGHTENING TORQUE (in. kg/cm) Diameter

Material	6mm	8mm	10mm	12mm	14mm	16mm	18mm	20mm
4T	70	150	300	500	750	1,100	1,400	2,000
6-8T	100	250	500	800	1,300	2,000	2,700	3,800
11T	150	400	800	1,200	2,000	2,900	4,200	5,600
*	100 (6mm) 300 ~ 350 (8mm) 650 ~ 700 (10mm)							

* (In case counter-part is of aluminum)

(Threads in use with this machine are all right handed)

Material and quality of material is marked on each bolt, and screw.

- Remove soil and clean the bottom of compaction plate.
- Check hydraulic pump, piping and hose for any leakage. A loosened hydraulic hose can be a cause for leakage. Check hydraulic hose connections with wrench applied for tightness.
- Check engine oil.

Engine Oil Replacement:

1. Replace engine oil, first in 20 hours of operation and every 100 hours afterwards.
2. Oil may be drained more easily when it is warm after operation (For more details, see separate HONDA Owner's Manual).

Air Filter

1. The air filter element should be cleaned because a clogged air cleaner can cause poor engine starting, lack of power and shorten engine life substantially.

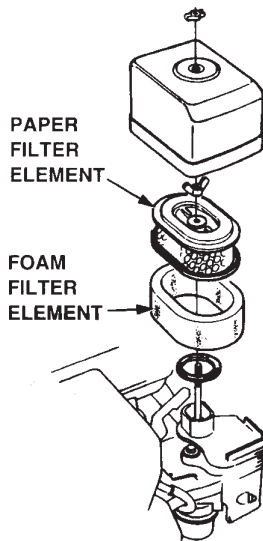


Figure 16. Air Filter

2. To clean or replace air filter, loosen the wing nut on the air filter housing (Figure 16). Remove the cover and take out air filter cartridge. If only cleaning of the air filter is desired, blow through the air filter cartridge from the inside, moving a jet of dry compressed air up and down until all dust is removed.

CAUTION

NEVER attempt to check the V-belt with the engine running. Severe injury can occur if your hand gets caught between the V-belt and the clutch. Always use safety gloves.

Checking and Replacing the V-Belt and Clutch

1. After 200 hours of operation, remove the upper belt cover to check the V-belt tension. Tension is proper if the belt bends about 10 mm when depressed strongly with finger between shafts. Loose or worn V-belts reduce power transmission efficiency, causing weak compaction and reducing the life of the belt itself.

● Replacing the V-belt

Remove the upper and lower belt covers. Engage an offset wrench (13 mm) or the like to vibrator pulley (lower) fastening bolt. Engage waste cloth or the like at midway of V-belt on the left side and while pulling it back strongly, rotate the offset wrench clockwise so that the V-belt will come off.

● Reinstalling the V-belt

Engage V-belt to lower vibrator pulley and push the V-belt to left side of upper clutch. In the same manner as in removal, rotate offset wrench clockwise so that the V-belt goes back on.

● Checking Clutch

Check the clutch simultaneously with V-belt checking. With belt removed, visually check outer drum of the clutch for seizure and "V" groove for wear or damage. Clean the "V" groove as necessary. Regularly check the lining or shoe for wear. If the shoe is worn, power transmission becomes deficient and slipping will result.

CAUTION

Whenever the compactor's vibration becomes weak or lost during normal operation regardless of operation hours, check the V-belt and clutch immediately.

Vibrator Oil Level Check

CAUTION

Always clean the area around the vibrator oil level check hole before removing oil check plug. This will prevent dirt and debris from entering the system.

1. In every 300 hours of operation, with the machine positioned horizontally, remove vibrator oil level check plug (Figure 5) off vibrator (14 mm wrench) and see if oil is up to filler port. Be sure to clean area around check hole to prevent dirt and dust from entering.
2. In every 300 hours of operation, replace oil (capacity 400 cc). For draining oil through level check hole, have the machine inclined with a sleeper or the like placed under the compaction plate on opposite side.
 - * Use engine oil 10W-30 for this lubrication.

CAUTION

Make sure hydraulic oil in hand pump is at a normal safe operating level. **DO NOT** over fill. Over filling (excessive oil) will cause excess oil to blow out of breather plug.

Hydraulic Oil

Check hydraulic oil in every 100 hours of operation. With handle bar positioned vertically (storage position), remove breather plug (Figure 1) off the top of hydraulic pump and check for proper oil level.

Replace hydraulic oil after first 200 hours and in every 1,000 hours of operation.

Replacing Hydraulic Oil

1. After removing plug cap of hand pump (Figure 6), remove plug of breather (24 mm wrench) and disconnect vibrator side of hydraulic hose (Figure 17) at vibrator cylinder. With travel lever placed in the **FORWARD** position, drain hydraulic oil in the pump.

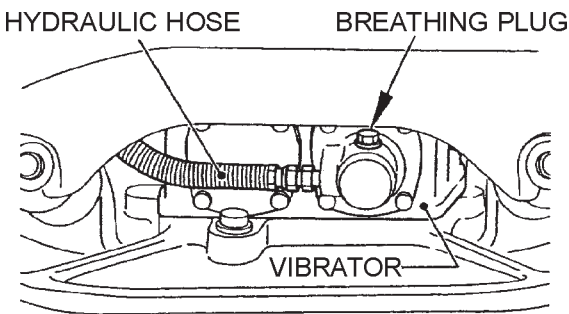


Figure 17. Hydraulic Hose

2. After draining, reconnect the hydraulic hose to vibrator.
3. Fill oil through breather hole of hand pump. (capacity: about 300 cc). Use **Shell Tellus Oil #46** or equivalent.
4. Removing breather plug at vibrator cylinder causes oil to flow out of breather hole in a while. When aeration disappears, replace the plug and tighten securely.
5. Replace breather plug of hand pump and fit the plug cap. After making sure that oil in pump is at proper level, replace the breather plug.

Troubleshooting

See Tables 7 (engine) and 8 (plate compactor) for engine and plate compactor troubleshooting guide.

Pump Storage

For storage of the pump for over 30 days, the following is required:

- Drain the fuel tank completely.
- Run the engine until the fuel in the injection system is completely consumed.
- Completely drain the oil from the engine crankcase and follow procedures described in the **HONDA** engine Owner's Manual for engine storage.
- Completely drain the compactor's hydraulic oil from the vibrating case.
- Clean entire plate compactor, especially the bottom plate, removing all dirt and foreign matter.
- Cover plate compactor and engine with plastic covering or equivalent and store in a clean, dry place.

MVH-120GH — TROUBLESHOOTING (ENGINE)

TABLE 7. ENGINE TROUBLESHOOTING

SYMPTOM	POSSIBLE CAUSE	SOLUTION
Difficult to start, "fuel is available, but no spark at spark plug".	Spark plug bridging?	Check gap, insulation or replace spark plug.
	Carbon deposit on spark plug?	Clean or replace spark plug.
	Short circuit due to deficient spark plug insulation?	Check spark plug insulation, replace if worn.
	Improper spark plug gap?	Set to proper gap.
Difficult to start, "fuel is available, and spark is present at the spark plug".	ON/OFF switch is shorted?	Check switch wiring, replace switch.
	Ignition coil defective?	Replace ignition coil.
	Improper spark gap, points dirty?	Set correct spark gap and clean points.
	Condenser insulation worn or short circuiting?	Replace condenser.
	Spark plug wire broken or short circuiting?	Replace defective spark plug wiring.
Difficult to start, "fuel is available, spark is present and compression is normal"	Wrong fuel type?	Flush fuel system, and replace with correct type of fuel.
	Water or dust in fuel system?	Flush fuel system.
	Air cleaner dirty?	Clean or replace air cleaner.
Difficult to start, "fuel is available, spark is present and compression is low"	Suction/exhaust valve stuck or protruded?	Reseat valves.
	Piston ring and/or cylinder worn?	Replace piston rings and or piston.
	Cylinder head and/or spark plug not tightened properly?	Torque cylinder head bolts and spark plug.
	Head gasket and/or spark plug gasket damaged?	Replace head and spark plug gaskets.
No fuel present at carburetor.	Fuel not available in fuel tank?	Fill with correct type of fuel.
	Fuel cock does not open properly?	Apply lubricant to loosen fuel cock lever, replace if necessary.
	Fuel filter clogged?	Replace fuel filter.
	Fuel tank cap breather hole clogged?	Clean or replace fuel tank cap.
	Air in fuel line?	Bleed fuel line.

MVH-120GH — TROUBLESHOOTING (ENGINE)

TABLE 7. ENGINE TROUBLESHOOTING (CONTINUED)

SYMPTOM	POSSIBLE CAUSE	SOLUTION
"Weak in power". Compression is proper and does not misfire.	Air cleaner not clean?	Clean or replace air cleaner
	Improper level in carburetor?	Check float adjustment, re-build carburetor.
	Defective Spark plug?	Clean or replace spark plug.
"Weak in power". Compression is proper but misfires.	Water in fuel system?	Flush fuel system, and replace with correct type of fuel.
	Dirty spark plug?	Clean or replace spark plug.
	Ignition coil defective?	Replace ignition coil.
Engine overheats.	Spark plug heat value improper?	Replace with correct type of spark plug.
	Correct type of fuel?	Replace with correct type of fuel
	Cooling fins dirty?	Clean cooling fins.
Rotational speed fluctuates.	Governor adjusted correctly?	Adjust governor.
	Governor spring defective?	Replace governor spring.
	Fuel flow restricted?	Check entire fuel system for leaks or clogs.
Recoil starter malfunction.	Recoil mechanism clogged with dust and dirt?	Clean recoil assembly with soap and water.
	Spiral spring loose?	Replace spiral spring.

MVH-120GH — TROUBLESHOOTING (PLATE COMPACTOR)

TABLE 8. PLATE COMPACTOR TROUBLESHOOTING

SYMPTOM	POSSIBLE CAUSE	SOLUTION
Travel speed too low, and vibration is weak.	Engine speed too low?	Set engine speed to correct RPM.
	Clutch slips?	Check or replace clutch.
	V-belt slips?	Adjust or replace V-belt.
	Excessive oil in vibrator?	Drain excess oil and fill to proper level.
	Malfunction in vibrator housing?	Check eccentric, gears and counter weights.
Travels forward or reverse, but impossible to switch direction.	Directional components defective?	Check all directional components.
	Reversing lever adjustment?	Adjust or repair reversing lever.
	Hydraulic oil hose broken?	Repair or replace hydraulic oil hose.
	Aeration in hydraulic oil for reversing system?	Bleed hydraulic oil system.
	Check valve in hand pump clogged with dust?	Clean or replace hand pump check valve.
	Piston or bearing in cylinder (vibrator assy) is defective?	If worn, replace cylinder piston or bearing.
Does not travel either forward or reverse.	V-belt slips?	Replace V-belt.
	Clutch slips?	Check clutch springs and shoes.
	Vibrator locked?	Check vibrator housing (eccentric, gears and counterweights).
	Piston or bearing in cylinder defective?	If worn, replace cylinder piston or bearing.
Travel lever operating resistance great.	Air in hydraulic line?	Bleed hydraulic oil system.
	Piston or bearing in cylinder defective?	If worn, replace cylinder piston or bearing.

MVH-120GH — EXPLANATION OF CODE IN REMARKS COLUMN

The following section explains the different symbols and remarks used in the Parts section of this manual. Use the help numbers found on the back page of the manual if there are any questions.

The contents and part numbers listed in the parts section are subject to change **without notice**. Multiquip does not guarantee the availability of the parts listed.

Sample Parts List:

<u>NO.</u>	<u>PART NO.</u>	<u>PART NAME</u>	<u>QTY.</u>	<u>REMARKS</u>
1	12345	BOLT	1	INCLUDES ITEMS W/*
2*		WASHER, 1/4 IN.		NOT SOLD SEPARATELY
2*	12347	WASHER, 3/8 IN. ... 1		MQ-45T ONLY
3	12348	HOSE	A/R	MAKE LOCALLY
4	12349	BEARING	1	S/N 2345B AND ABOVE

NO. Column

Unique Symbols - All items with same unique symbol (*, #, +, %, or >) in the number column belong to the same assembly or kit, which is indicated by a note in the "Remarks" column.

Duplicate Item Numbers - Duplicate numbers indicate multiple part numbers are in effect for the same general item, such as different size saw blade guards in use or a part that has been updated on newer versions of the same machine.



When ordering a part that has more than one item number listed, check the remarks column for help in determining the proper part to order.

PART NO. Column

Numbers Used - Part numbers can be indicated by a number, a blank entry, or TBD.

TBD (To Be Determined) is generally used to show a part that has not been assigned a formal part number at time of publication.

A blank entry generally indicates that the item is not sold separately or is not sold by Multiquip. Other entries will be clarified in the "Remarks" Column.

QTY. Column

Numbers Used - Item quantity can be indicated by a number, a blank entry, or A/R.

A/R (As Required) is generally used for hoses or other parts that are sold in bulk and cut to length.

A blank entry generally indicates that the item is not sold separately. Other entries will be clarified in the "Remarks" Column.

REMARKS Column

Some of the most common notes found in the "Remarks" Column are listed below. Other additional notes needed to describe the item can also be shown.

Assembly/Kit - All items on the parts list with the same unique symbol will be included when this item is purchased.

Indicated by:

"INCLUDES ITEMS W/(unique symbol)"

Serial Number Break - Used to list an effective serial number range where a particular part is used.

Indicated by:

"S/N XXXXX AND BELOW"

"S/N XXXX AND ABOVE"

"S/N XXXX TO S/N XXXX"

Specific Model Number Use - Indicates that the part is used only with the specific model number or model number variant listed. It can also be used to show a part is NOT used on a specific model or model number variant.

Indicated by:

"XXXXX ONLY"

"NOT USED ON XXXX"

"Make/Obtain Locally" - Indicates that the part can be purchased at any hardware shop or made out of available items. Examples include battery cables, shims, and certain washers and nuts.

"Not Sold Separately" - Indicates that an item cannot be purchased as a separate item and is either part of an assembly/kit that can be purchased, or is not available for sale through Multiquip.

MVH-120GH — SUGGESTED SPARE PARTS

MVH-120GH PLATE COMPACTOR 1 TO 3 UNITS WITH HONDA GX160 ENGINE

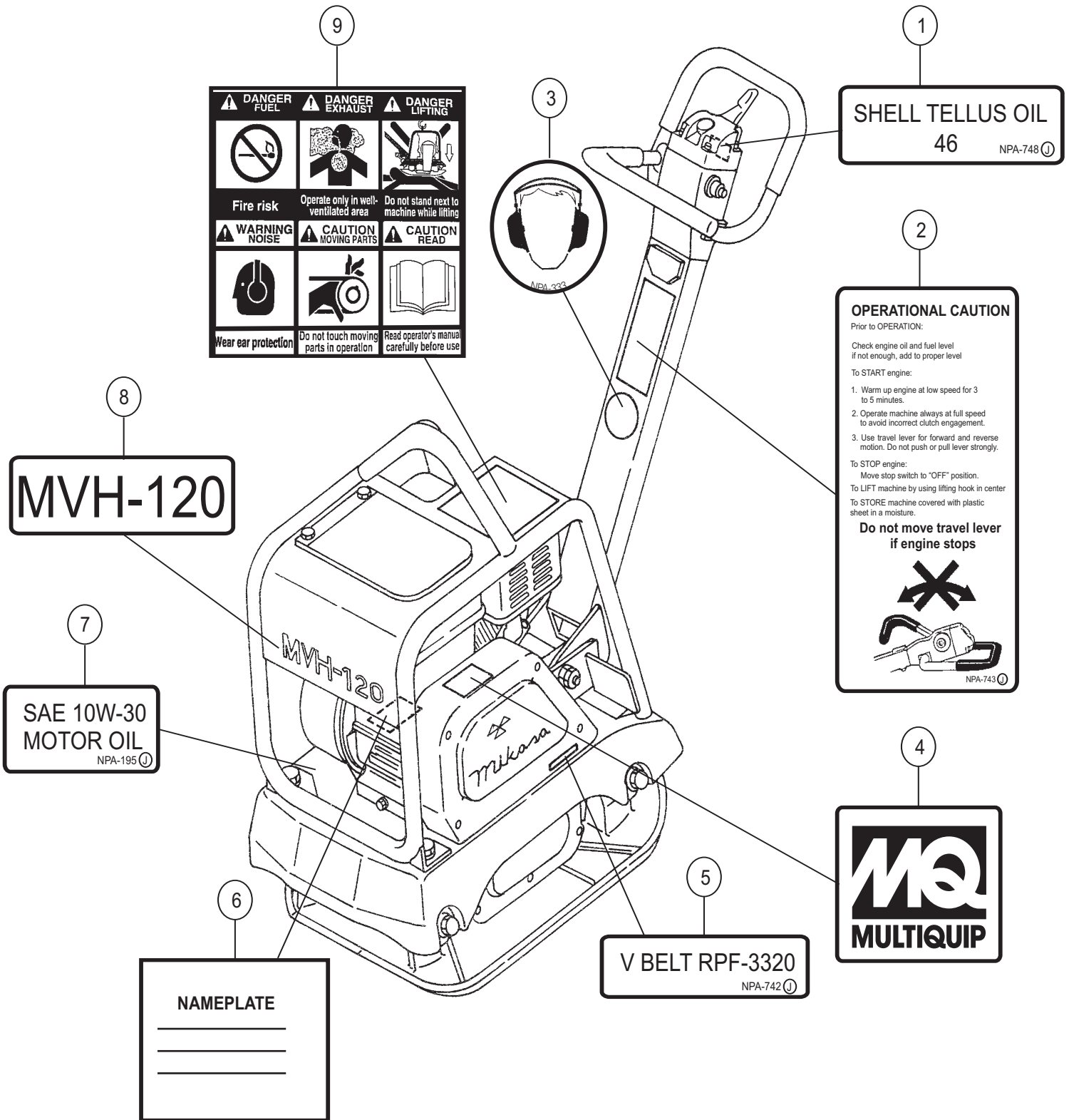
Qty.	P/N	Description	Remarks
3	070100322	V-BELT	
1	458337770	CLUTCH ASSY.	
2	956100035	THROTTLE WIRE	MVH-120GH S/N L3080 AND BELOW
2	956100041	THROTTLE WIRE	MVH-120GH S/N L3081 AND ABOVE
1	956200050	THROTTLE LEVER ASSY.	MVH-120GH S/N L3080 AND BELOW
1	362910060	THROTTLE LEVER ASSY.	MVH-120GH S/N L3081 AND ABOVE
5	9807955846	SPARK PLUG	
1	36100ZH7003	SWITCH ASSY, ENGINE STOP	GX160K1SM12
1	36100ZF6P81	SWITCH ASSY, ENGINE STOP	GX160U1SM12, GX160U1SMX4 S/N 114582 AND BELOW
1	36100ZF6P82	SWITCH ASSY, ENGINE STOP	GX160U1SM12, GX160U1SMX4 S/N 114583 AND ABOVE
2	17218ZE1505	OUTER AIR ELEMENT	
1	17620Z0T305	CAP, FUEL TANK	GX160K1SM12 GX160U1SM12, GX160U1SMX4 S/N 1125014 AND BELOW
1	17620Z4H000	CAP, FUEL TANK	GX160U1SM12, GX160U1SMX4 S/N 1125015 AND ABOVE
1	17672ZE2W01	FUEL TANK FILTER	GX160K1SM12 GX160U1SM12, GX160U1SMX4 S/N 1125014 AND BELOW
1	17672Z4H000	FUEL TANK FILTER	GX160U1SM12, GX160U1SMX4 S/N 1125015 AND ABOVE
1	30500ZE1043	IGNITION COIL ASSY	GX160K1SM12 S/N 8954625 AND BELOW
1	28462ZH8003	ROPE, STARTER	



Part numbers on this Suggested Spare Parts List may supersede/replace the P/N shown in the text pages of this book.

MVH-120GH — NAME PLATE AND DECALS

NAME PLATE AND DECALS



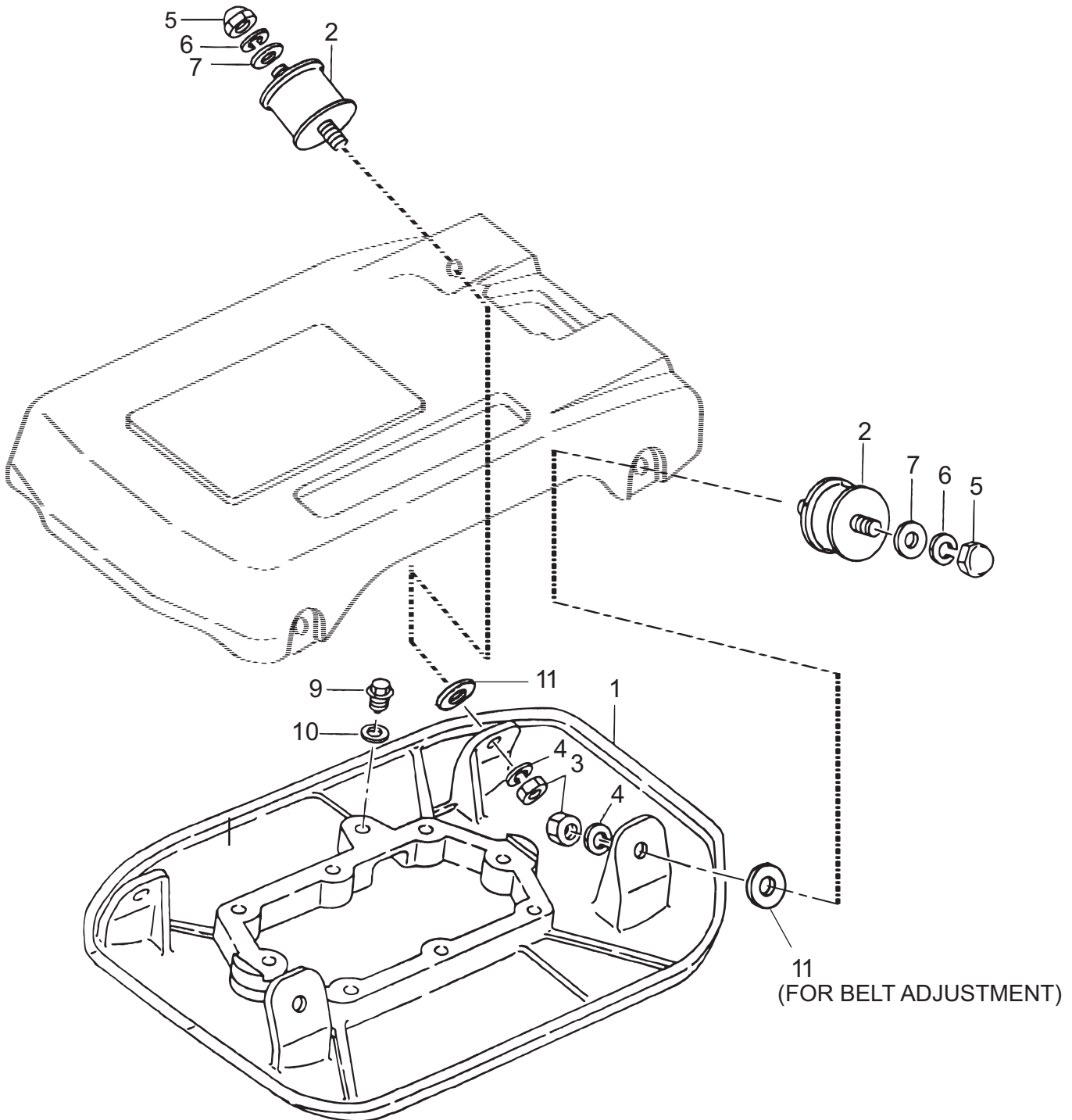
MVH-120GH — NAME PLATE AND DECALS

NAME PLATE AND DECALS

<u>NO</u>	<u>PART NO</u>	<u>PART NAME</u>	<u>QTY.</u>	<u>REMARKS</u>
1*	920207480	DECAL, SHELL TELLUS OIL 46	1	
2*	950207430	DECAL, CAUTION (MVH-120)	1	
3*	920203330	EAR PROTECTION LABEL	1	
4*	920201580	DECAL, MQ MARK 71X55	1	
5*	920207420	DECAL, V- BELT RPF-3320	1	
6		PLATE, SERIAL NO.	1 CONTACT MQ PARTS DEPARTMENT
7*	920201950	DECAL, MOTOR OIL /NPA-195	1	
8*	920207440	DECAL, MODEL/MVH-120	1	
9*	920207400	DECAL, DANGER-CAUTION	1	
	DCLMVH120GH	KIT, DECAL	1 INCLUDES ITEMS W/ *

MVH-120GH — VIBRATING PLATE ASSY.

VIBRATING PLATE ASSY.



MVH-120GH — VIBRATING PLATE ASSY.

VIBRATING PLATE ASSY.

<u>NO</u>	<u>PART NO</u>	<u>PART NAME</u>	<u>QTY.</u>	<u>REMARKS</u>
1	458115140	VIBRATING PLATE	1	
2	458450620	SHOCK ABSORBER	4	
3	0039312000	NUT M12	4	REPLACES 020312100
4	030212300	WASHER, LOCK M12	4	
5	022131210	CAP NUT M12	4	
6	030212300	SW M12	4	
7	952400710	WASHER 13304	4	
9	460449160	OIL CHANGE	1	
10	953405260	PACKING ¼	1	
11	952401190	WASHER 13X43X4.5	4	NEW VERSION ONLY

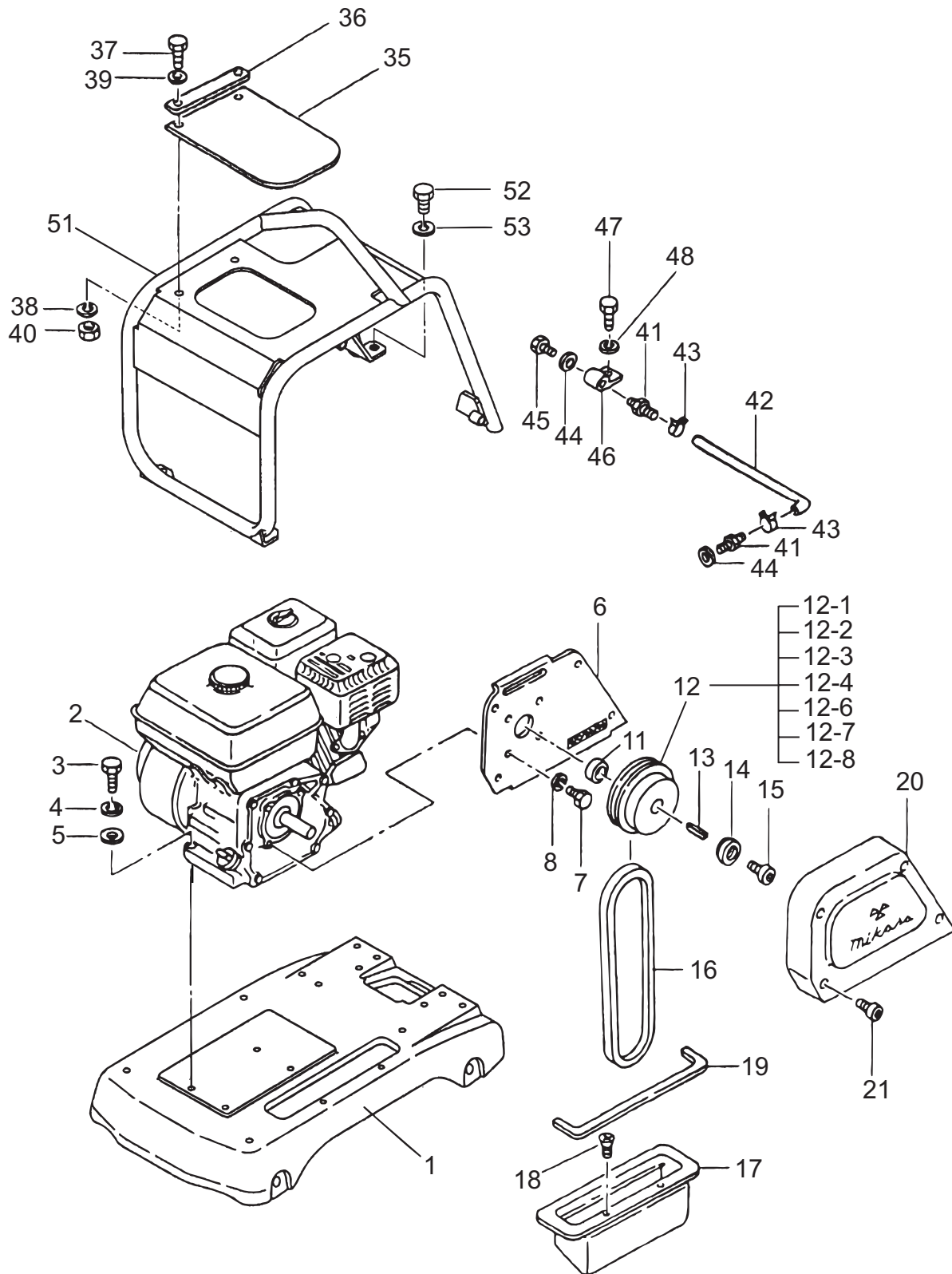
MVH-120GH — BODY ASSY. (OLD VERSION)

BODY ASSY. SERIAL NUMBER L3029 AND BELOW)

NO	PART NO	PART NAME	QTY.	REMARKS
1	458115160	BASE	1	
2	912216004	ENGINE ASSY. GX160K1SM12	1	S/N F-1104 to N-4264
2	912216012	ENGINE ASSY. GX160U1SM12	1	S/N N-4265 TO P-4377
3	011208035	BOLT 8X35 T	4	REPLACES 001220835
4	030208200	WASHER, LOCK M8	4	
5	031108160	WASHER, FLAT M8	4	
6	458214380	BELT COVER PLATE	1	S/N L3210 AND BELOW
7	014208020	BOLT 8X20 T	4	REPLACES 001220820
8	030208200	WASHER, LOCK M8	4	
11	458451370	SPACER 202512	1	
12	458337770	CLUTCH ASSY. A112420	1	
13	0320050150	KEY	1	REPLACES 951400100
14	458451380	CLUTCH WASHER	1	
15	014208025	SOCKET HEAD BOLT 8X25 T	1	REPLACES 001520825
16	070100322	V-BELT RPF-3320	1	
17	458214390	DUST COVER	1	
18	092006010	FLAT HEAD SCREW 6X10	2	
19	458337560	SPONGE, DUST COVER	1	
20	458115190	BELT COVER	1	
21	001520852	SOCKET HEAD BOLT 8X60 T	4	
22	458115171	GUARD FRAME	1	REPLACES 458115170
23	001221225	BOLT 12X25 T	5	
24	030212300	WASHER, LOCK M12	5	
25	458910020	GRIP SET	1	
26	458450880	SPRING 1.2-10-29	1	
28	025402516	SPRING PIN 2.5 X16	1	
31	458337760	SUPPORT	1	
32	020310080	NUT M10	2	
33	031110160	WASHER, FLAT M10	2	
34	030210250	WASHER, LOCK M10	2	
35	458450830	RUBBER COVER	1	
36	458450810	PLATE, RUBBER COVER	1	
37	011208025	BOLT 8X25 T	2	REPLACES 001220825
38	030208200	WASHER, LOCK M8	2	
39	031108160	WASHER, FLAT M8	2	
40	022710809	NYLON NUT M8	2	
41	15550ZK8P90	DRAIN JOINT	2	
42	15552ZB9000	DRAIN HOSE	1	
43	954010070	HOSE BAND 11.5D	2	
44	90601ZE1000	WASHER, DRAIN PLUG	3	
45	90131ZE1000	BOLT, DRAIN PLUG	1	
46	458450840	JOINT	1	
47	014208020	BOLT 8X20 T	1	REPLACES 001220820
48	030208200	WASHER, LOCK M8	1	
49	0830000010	COIL SPRING	1	S/N G1387 AND ABOVE
50	031104080	WASHER, FLAT M4	1	S/N G1387 AND ABOVE

MVH-120GH — BODY ASSY. (NEW VERSION)

BODY ASSY. BODY ASSY. SERIAL NUMBER L3030 AND ABOVE)



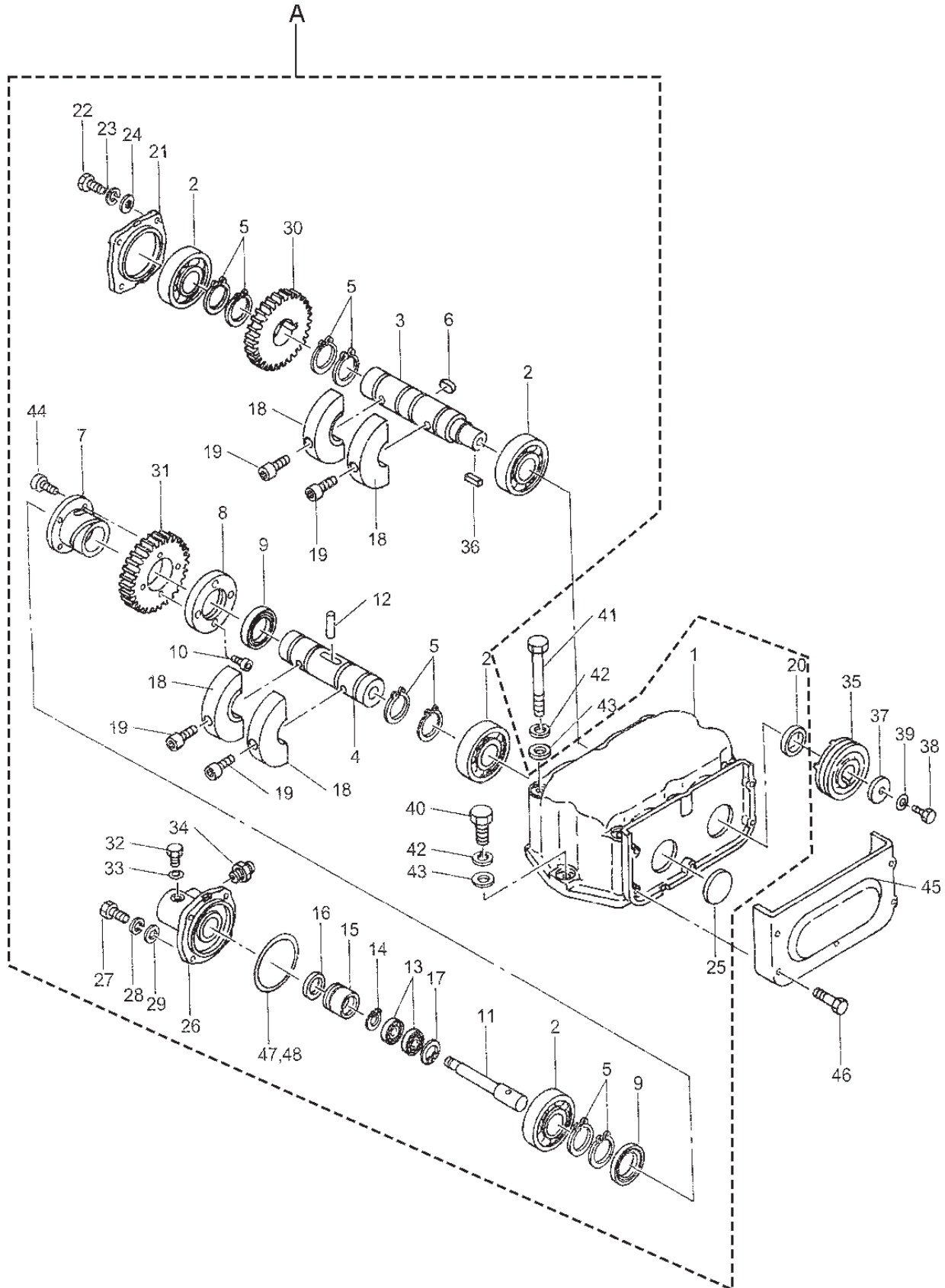
MVH-120GH — BODY ASSY. (NEW VERSION)

BODY ASSY. BODY ASSY. SERIAL NUMBER L3030 AND ABOVE)

<u>NO</u>	<u>PART NO</u>	<u>PART NAME</u>	<u>QTY.</u>	<u>REMARKS</u>
1	458117340	BASE, SEPARATE HANDLE TYPE	1	
2	912216010	ENGINE ASSY. GX160U1SMX4	1	S/N P-4378 AND ABOVE
3	011208035	BOLT 8X35 T	4	
4	030208200	WASHER, LOCK M8	4	
5	031108160	WASHER, FLAT M8	4	
6	458214383	BELT COVER PLATE	1	S/N L-3211 AND ABOVE
7	014208020	BOLT 8X20 T	4	REPLACES 001220820
8	030208200	WASHER, LOCK M8	4	
11	458451370	SPACER 202512	1	
12	458337770	CLUTCH ASSY A1-124-20	1	INCLUDES ITEMS W/ #
12-1	941040510	CLUTCH SHAFT S20D-45	1	
12-2	941010390	CLUTCH PULLEY A1-124	1	
12-3	941020030	CLUTCH SHOE T90T	3	
12-4	941030230	CLUTCH SPRING	2	
12-6	080200300	STOP RING S-30	1	
12-7	080600550	STOP RING AR-55	1	
12-8	046006006	BEARING 6006DDU	1	
13	0320050150	KEY	1	
14	458451380	CLUTCH WASHER	1	
15	014208025	SOCKET HEAD BOLT 8X25 T	1	REPLACES 001520825
16	070100322	V-BELT RPF-3320	1	
17	458214390	DUST COVER	1	
18	092006010	FLAT HEAD SCREW 6X10	2	
19	458337560	SPONGE, DUST COVER	1	
20	458115191	BELT COVER	1	S/N L3211 AND ABOVE
21	001520852	SOCKET HEAD BOLT 8X60 T	4	
35	458450830	RUBBER COVER	1	
36	458450810	PLATE, RUBBER COVER	1	
37	011208025	BOLT 8X25 T	2	REPLACES 001220825
38	030208200	WASHER, LOCK M8	2	
39	031108160	WASHER, FLAT M8	2	
40	022710809	NYLON NUT M8	2	
41	15550ZK8P90	DRAIN JOINT	2	
42	15552ZB9000	DRAIN HOSE	1	
43	954010070	HOSE BAND 11.5D	2	
44	90601ZE1000	WASHER, DRAIN PLUG	3	
45	90131ZE1000	BOLT, DRAIN PLUG	1	
46	458450840	JOINT	1	
47	014208020	BOLT 8X20 T	1	REPLACES 001220820
48	030208200	WASHER, LOCK M8	1	
51	458117350	GUARD FRAME	1	
52	001221225	BOLT 12X25 T	5	
53	030212300	WASHER, LOCK M12	5	

MVH-120GH — VIBRATOR ASSY. (OLD VERSION)

VIBRATOR ASSY. (SERIAL NUMBER L3112 AND BELOW)



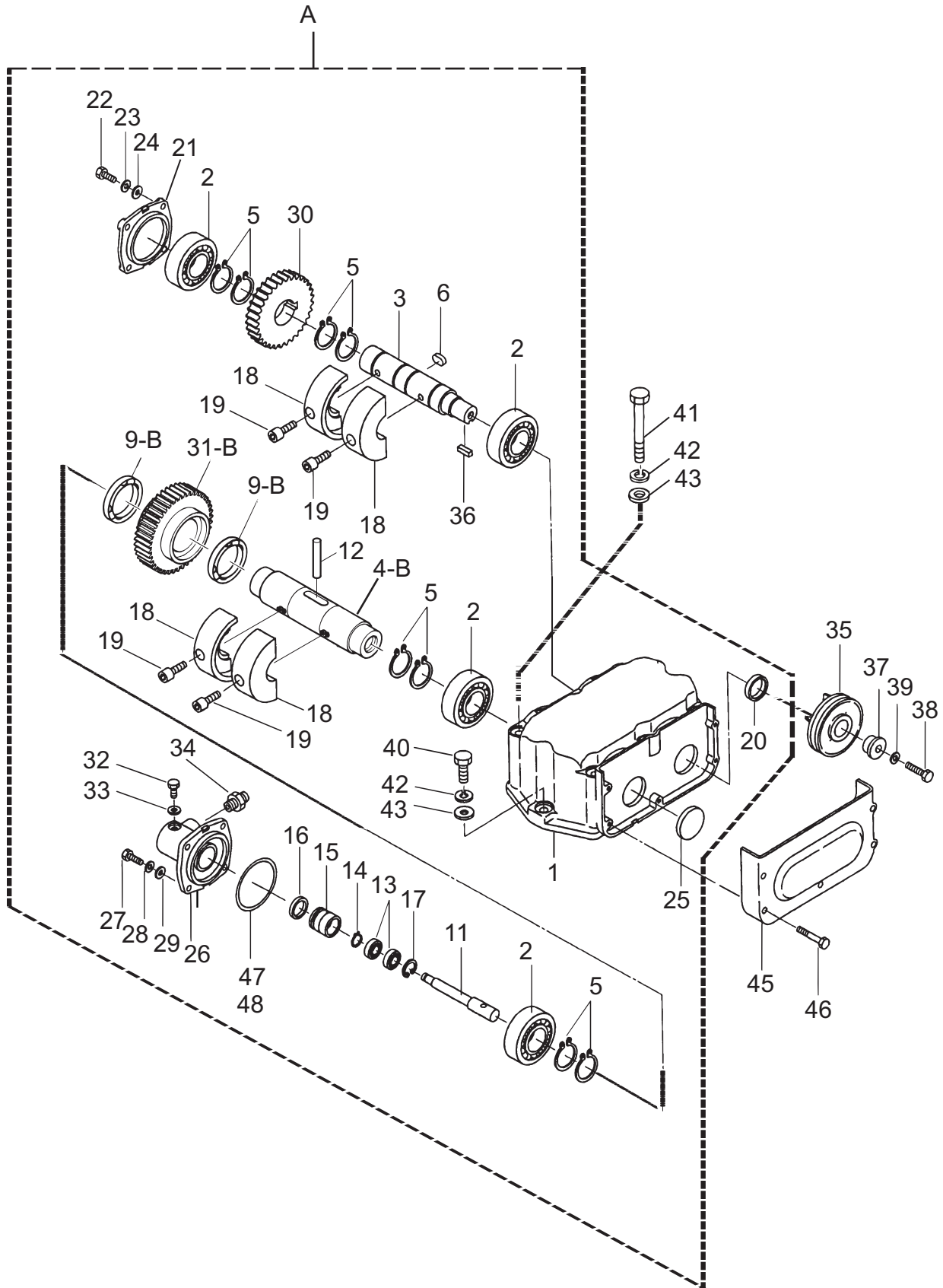
MVH-120GH — VIBRATOR ASSY. (OLD VERSION)

VIBRATOR ASSY. (SERIAL NUMBER L3112 AND BELOW)

<u>NO</u>	<u>PART NO</u>	<u>PART NAME</u>	<u>QTY.</u>	<u>REMARKS</u>
A	458910010	VIBRATOR ASSY. COMPLETE	1	INCLUDES ITEMS W/ *
1*	458115150	VIBRATING CASE	1	
2*	040306307	BEARING 6307C4	4	REPLACES 040406307
3*	458337700	ROTARY SHAFT, DRIVE	1	
4*	458337710	ROTARY SHAFT, DRIVEN	1	
5*	080200350	STOP RING S-35	8	
6*	951405460	KEY 10X8X19 RR	1	
7*	458337720	CAM RING 210	1	
8*	458337850	BEARING HOLDER	1	
9*	040006807	BEARING 6807	2	
10*	001520630	SOCKET HEAD BOLT 6X30 T	4	
11*	458337730	PISTON ROD	1	
12*	025508050	PIN 8X50	1	
13*	042506000	BEARING 6000ZZSG	2	
14*	080200100	STOP RING S-10	1	
15*	455435051	PISTON, 22.4D	1	
16*	455010070	PACKING USH-22. 4X30X5	1	
17*	080100260	STOP RING R-26	1	
18*	458451430	ECCENTRIC ROTATOR	4	
19*	009120304	SOCKET HEAD BOLT 10X25 T	4	
20*	060202040	OIL SEAL SC-28458	1	
21*	458337740	BEARING COVER	1	
22*	014208020	BOLT 8X20 T	4	REPLACES 001220820
23*	030208200	WASHER, LOCK M8	4	
24*	031108160	WASHER, FLAT M8	4	
25*	953405580	SEAL CAP SC-458	1	
26*	458214370	CYLINDER	1	
27*	014208020	BOLT 8X20 T	4	
28*	030208200	WASHER, LOCK M8	4	
29*	031108160	WASHER, FLAT M8	4	
30*	460333000	GEAR (DRIVE)	1	
31*	458337840	GEAR (DRIVEN)	1	
32*	001200812	BOLT 8X12	1	
33*	953404600	COPPER PACKING 8X16X2	1	
34*	954010020	CONNECTOR PT, PF1/4	1	
35	458337750	PULLEY 80D	1	
36*	951400990	KEY 7X7X20	1	
37	952400690	WASHER 9X3594.5	1	
38	014208020	BOLT 8X20 T	1	REPLACES 001220820
39	030208200	WASHER, LOCK M8	1	
40*	012212035	BOLT 12X35 T	2	REPLACES 001221235
41	001221264	BOLT 12X120 T	6	
42	030212300	WASHER, LOCK M12	8	
43	031112230	WASHER, FLAT M12	8	
44*	014206020	SOCKET HEAD BOLT 6X20 T	4	REPLACES 001520620
45	460212740	BELT COVER (LOWER)	1	
46	001520635	SOCKET HEAD BOLT 6X35 T	5	
47*	952406170	SHIM 70-80-0. 1T	1	
48*	952406180	SHIM 70-80-0. 2T	1	

MVH-120GH — VIBRATOR ASSY. (NEW VERSION)

VIBRATOR ASSY. (SERIAL NUMBER L3113 AND ABOVE)



MVH-120GH — VIBRATOR ASSY. (NEW VERSION)

VIBRATOR ASSY. (SERIAL NUMBER L3113 AND ABOVE)

NO	PART NO	PART NAME	QTY.	REMARKS
A	458910011	VIBRATOR ASSY	1	INCLUDES ITEMS W/ #
1#	458115150	VIBRATING CASE	1	
2#	040406307	BEARING 6307C4	4	
3#	458337700	ROTARY SHAFT,DRIVE	1	
4-B#	458342580	ROTARY SHAFT,DRIVEN	1	
5#	080200350	STOP RING S-35	8	
6#	951405460	KEY 10X8X19 RR	1	
9-B#	040306907	BEARING 6907C3	2	
11#	458337730	PISTON ROD	1	
12#	025508050	PIN 8X50	1	
13#	042506000	BEARING 6000ZZSG	2	
14#	080200100	STOP RING S-10	1	
15#	455435051	PISTON, 22.4D	1	
16#	455010070	PACKING USH-22.4X30X5	1	
17#	080100260	STOP RING R-26	1	
18#	458451430	ECCENTRIC ROTATOR	4	
19#	009120304	SOCKET HEAD BOLT 10X25 T	4	
20#	060202040	OIL SEAL SC-28458	1	
21#	458337740	BEARING COVER	1	
22#	001220820	BOLT 8X20 T	4	
23#	030208200	WASHER, LOCK M8	4	
24#	031108160	WASHER, FLAT M8	4	
25#	953405580	SEAL CAP SC-458	1	
26#	458214370	CYLINDER	1	
27#	001220820	BOLT 8X20T	4	
28#	030208200	WASHER, LOCK M8	4	
29#	031108160	WASHER, FLAT M8	4	
30#	460333000	GEAR (DRIVE)	1	
31-B#	458342590	GEAR(DRIVEN)	1	
32#	001200812	BOLT 8X12	1	
33#	953404600	COPPER PACKING 8X16X2	1	
34#	954010020	CONNECTOR PT, PF1/4	1	
35	458337750	PULLEY 80D	1	
36#	951400990	KEY 7X7X20	1	
37	952400440	WASHER 9X40X6	1	
38	001220820	BOLT 8X20 T	1	
39	030208200	WASHER, LOCK M8	1	
40#	001221240	BOLT 12X40 T	2	
41	001221264	BOLT 12X120 T	6	
42	030212300	WASHER, LOCK M12	8	
43	031112230	WASHER, FLAT M12	8	
45	460212740	BELT COVER (LOWER)	1	
46	001520635	SOCKET HEAD BOLT 6X35 T	5	
47#	952406170	SHIM 70-80-0.1T	1	
48#	952406180	SHIM 70-80-0.2T	1	

MVH-120GH — CONTROL ASSY. (OLD VERSION)

CONTROL ASSY. (SERIAL NO. L3080 AND BELOW)

<u>NO</u>	<u>PART NO</u>	<u>PART NAME</u>	<u>QTY.</u>	<u>REMARKS</u>
1	458115180	HANDLE	1	
2	001221668	BOLT 16X140 T	1	
3	458450660	WASHER 16. 4-35-0.6	2	
4	032116280	CONICAL SPRING WASHER M16	2	
5	020316130	NUT M16	2	
7	0401450160	WASHER, FLAT M16	2	REPLACES 031116260
8	939010010	SHOCK ABSORBER, STOPPER 45	1	
9	020310080	NUT M10	1	
10	030210250	WASHER, LOCK M10	1	
11	458338000	PUMP ASSY.	1	
12	458337430	TRAVEL LEVER	1	
13	014208030	SOCKET HEAD BOLT 8X20 T	2	REPLACES 001520820
14	458451420	COLLAR	1	
15	033910030	WAVE WASHER 15. 5X20X0.3	4	
16	458337480	PUMP HOLDER	1	
17	022710809	NYLON NUT M8	2	
18	030208200	WASHER, LOCK M8	2	
19	458451350	OIL HOSE 870L	1	
20	954404230	CLAMP SA120-18	1	
21	011206020	BOLT 6X20 T	1	REPLACES 001220620
22	020106050	NUT M6	1	REPLACES 020306050
23	030206150	WASHER, LOCK M6	1	
24	952404470	WASHER, FLAT M6	1	REPLACES 031106100
25	458214400	HANDLE GRIP	1	
26	014208020	BOLT 8X20 T	2	REPLACES 001220820
27	030208200	WASHER, LOCK M8	2	
28	458451630	BREATHER CAP	1	
30	9534-06280	GROMMET	1	
32	506010070	CLAMP	1	
33	459338470	THROTTLE HOLDER	1	
34	956100035	THROTTLE WIRE 120 X 1360	1	
35	956200050	THROTTLE LEVER ASSY	1	
36	020305040	NUT M5	1	
37	022110504	CAP NUT M5	1	
38	371448300	CLIP	1	

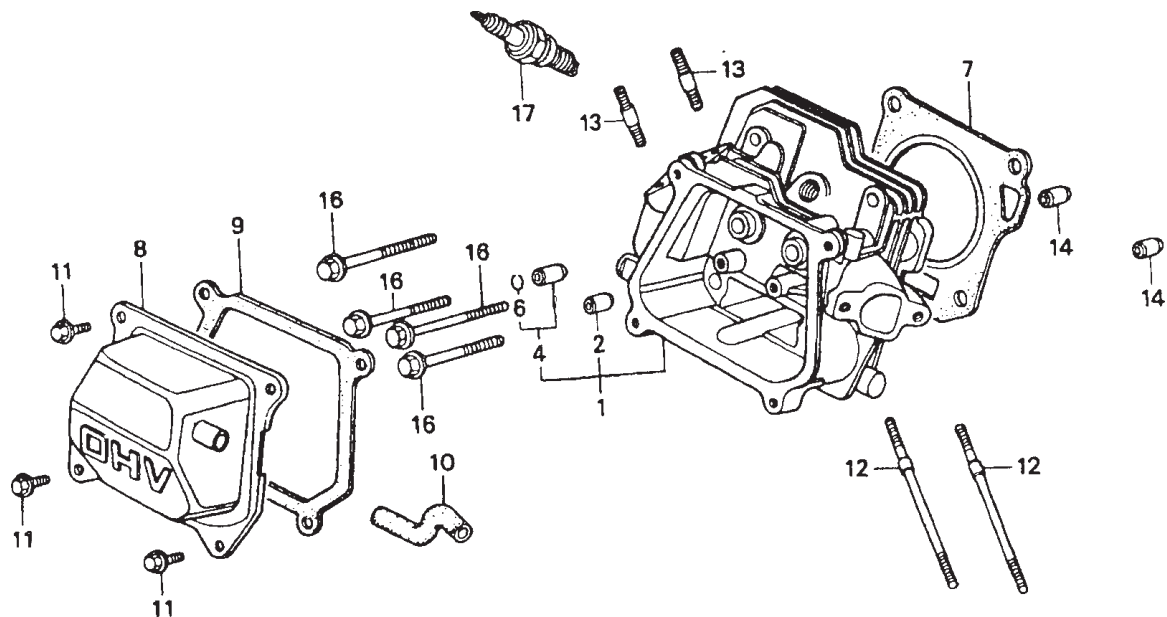
MVH-120GH — CONTROL ASSY. (NEW VERSION)

CONTROL ASSY. (SERIAL NO. L3081 AND ABOVE)

<u>NO</u>	<u>PART NO</u>	<u>PART NAME</u>	<u>QTY.</u>	<u>REMARKS</u>
A	362910060	THROTTLE LEVER ASSY	1	INCLUDES ITEMS W/ #
1	459115451	HANDLE	1	
2	001221669	BOLT 16X145 T	1	
3	031116260	WASHER, FLAT M16	2	
4	032216350	CONICAL SPRING WASHER M16	2	
5	020316130	NUT M16	1	
6	020416100	NUT M16, H=10	1	
7	458450660	WASHER 16.4-35-0.6/MVH120	2	
8	939010010	SHOCK ABSORBER, STOPPER45	1	
9	020310080	NUT M10	1	
10	030210250	WASHER, LOCK M10	1	
11	458338001	PUMP ASSY	1	
12	458337430	TRAVEL LEVER	1	
13	001520820	SOCKET HEAD BOLT 8X20 T	2	
14	458451420	COLLAR	1	
15	033910030	WAVE WASHER 15.5X20X0.3	4	
16	458337480	PUMP HOLDER	1	
17	022710809	NYLON NUT M8	2	
18	030208200	WASHER, LOCK M8	2	
19	458451350	OIL HOSE 870L	1	
20	954404230	CLAMP SA120-18	1	
21	001220625	BOLT 6X25 T	1	
22	020306050	NUT M6	1	
23	030206150	WASHER, LOCK M6	1	
24	031106100	WASHER, FLAT M6	1	
26	001220820	BOLT 8X20 T	2	
27	030208200	WASHER, LOCK M8	2	
28	458451630	BREATHER CAP	1	
29	459338030	HANDLE BRACKET(L)	1	
30	459338041	HANDLE BRACKET(R)	1	
31-1	458910030	STOPPER & GRIP SET	1	
32	458450880	SPRING 1.2-10-29	1	
34	025402516	SPRING PIN 2.5X16	1	
35	001221230	BOLT 12X30 T	4	
36	030212300	WASHER, LOCK M12	4	
40	458214400	HANDLE GRIP (EXP)	1	
51	463455960	THROTTLE NUT	1	
52	001520510	SOCKET HEAD BOLT 5X10 T	1	
53	463455950	SPACER, THROTTLE	1	
54#	362341550	THROTTLE BODY	1	
55#	362910090	THROTTLE, GEAR CP, W/BOLT	1	
56#	362455630	THROTTLE LEVER	1	
57#	362455620	SLIDER	1	
58#	050100450	O-RING G-45	1	
59#	050200100	O-RING P-10	1	
60#	031110160	WASHER, FLAT M10	3	
61#	032110180	CONICAL SPRING WASHER M10	2	
62#	096206006	SOCKET HEAD SCREW 6X6	1	
63#	020410060	NUT M10, H=6	1	
64#	022131008	CAP NUT M10	1	
65#	096208020	SOCKET HEAD SCREW 8X20	1	
66#	020408050	NUT M8, H=5	1	
68	001220625	BOLT 6X25 T	2	
69	030206150	WASHER, LOCK M6	2	
70	031106100	WASHER, FLAT M6	2	
71	511010040	CLAMP TC-300	1	
81	956100041	THROTTLE WIRE 795-875	1	

HONDA GX160 ENGINE — CYLINDER HEAD ASSY.

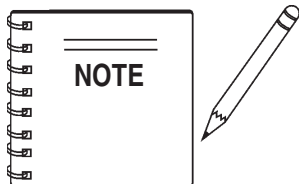
CYLINDER HEAD ASSY.



HONDA GX160 ENGINE — CYLINDER HEAD ASSY.

CYLINDER HEAD ASSY.

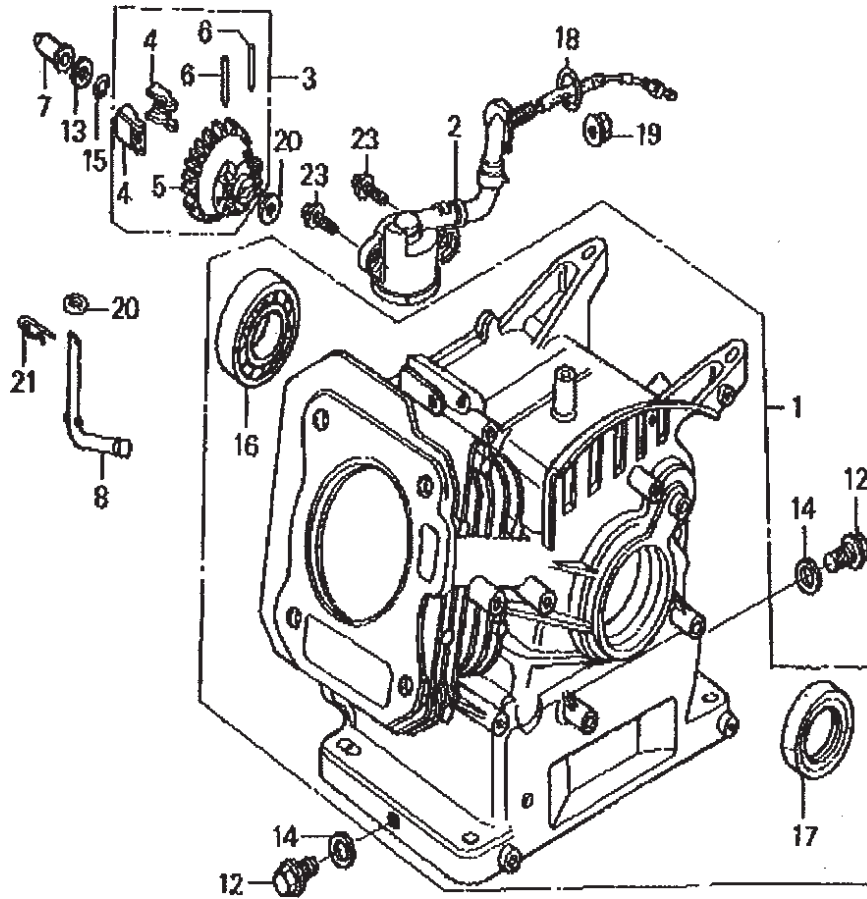
<u>NO</u>	<u>PART NO</u>	<u>PART NAME</u>	<u>QTY.</u>	<u>REMARKS</u>
1	12210ZH8405	HEAD COMP., CYLINDER	1	INCLUDES ITEMS W/#
2#	12204ZE1306	GUIDE, IN. VALVE (O.S.), OPTION	1	
4#	12205ZE1315	GUIDE, EX. VALVE (O.S.), OPTION	1	INCLUDES ITEM W/%
6#%	12216ZE5300	CLIP, VLAVE GUIDE	1	
7	12251ZF1800	GASKET, CYLINDER HEAD	1	
8	12310ZE1020	COVER COMP., HEAD	1	
9	12391ZE1000	PACKING, HEAD COVER	1	
10	15721ZH8000	TUBE, BREATHER	1	
11	90013883000	FLANGE BOLT 6X12	4	
12	90043ZE1020	STUD BOLT 6X112	2	
13	90047ZE1000	STUD BOLT 8X32	2	
14	9430110160	DOWEL PIN 10X16	2	
16x	957230806000	FLANGE BOLT 8X60	4	
16◇◇	957230806000	FLANGE BOLT 8X60	4	S/N 1144874 AND BELOW
16◇◇	957010806000	FLANGE BOLT 8X60	4	S/N 1144875 AND ABOVE
17	9807955846	SPARK PLUG BPR5ES, NGK	1	
17	9807955855	SPARK PLUG W16EPR-U DENSO	1	



- x GX160K1SM12: MODEL MVH120G S/N F-1104 (1998-2004)
- ◇ GX160U1SM12: MODEL MVH120G S/N F-1105 (2005)
- ◇ GX160U1SMX4: MODEL MVH120G S/N P-4378 AND ABOVE (2006)

HONDA GX160 ENGINE — CYLINDER BARREL ASSY.

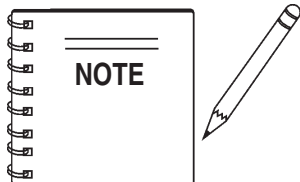
CYLINDER BARREL ASSY.



HONDA GX160 ENGINE — CYLINDER BARREL ASSY.

CYLINDER BARREL ASSY.

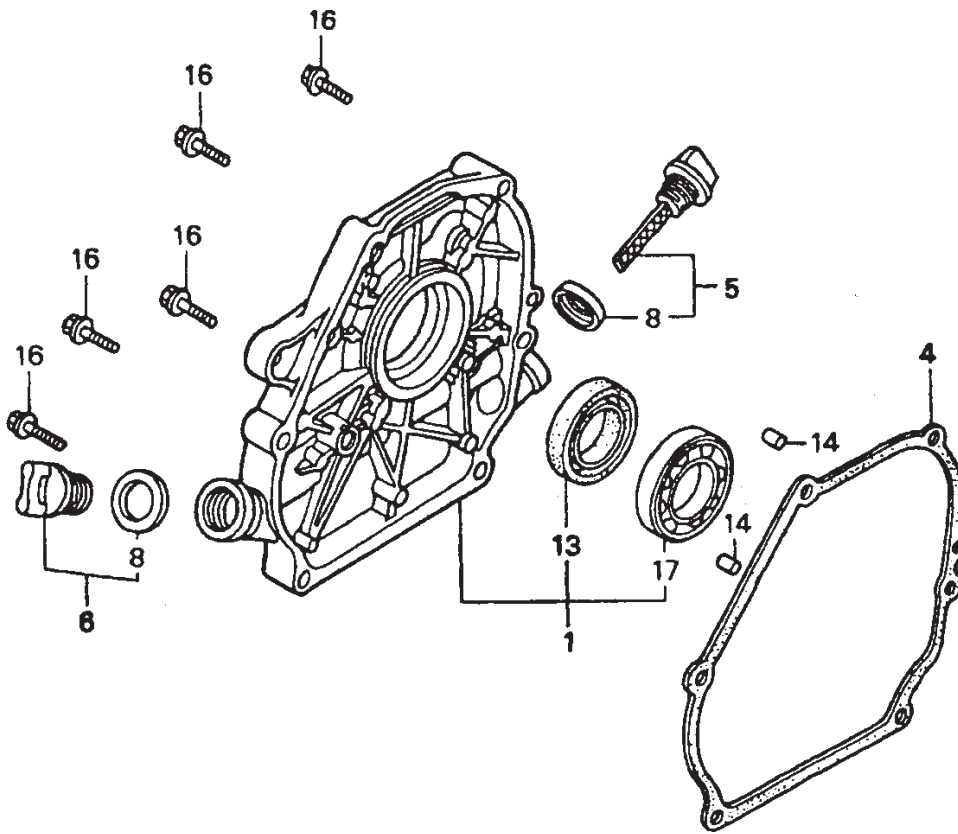
NO	PART NO	PART NAME	QTY.	REMARKS
1	12000ZH8426	BARREL ASSY., CYL. (OIL ALERT)	1	INCLUDES ITEMS W/#
2✕	15510ZE1033	SWITCH ASSY., OIL LEVEL	1	
2◇◇	15510ZE1033	SWITCH ASSY., OIL LEVEL	1	S/N 1145270 AND BELOW
2◇◇	15510ZE1033	SWITCH ASSY., OIL LEVEL	1	S/N 1145271 AND ABOVE
3	16510ZE1000	GOVERNOR ASSY.	1	INCLUDES ITEMS W/%
4%	16511ZE1000	WEIGHT, GOVERNOR	2	
5%	16512ZE1000	HOLDER, GOVERNOR WEIGHT	1	
6%	16513ZE1000	PIN, GOVERNOR WEIGHT	2	
7	16531ZE1000	SLIDER, GOVERNOR	1	
8	16541ZE1000	SHAFT, GOVERNOR ARM	1	
12	90131ZE1000	BOLT, DRAIN PLUG	2	
13	90451ZE1000	WASHER, THRUST 6MM	1	
14	90601ZE1000	WASHER, DRAIN PLUG 10.2 MM	2	
15	90602ZE1000	CLIP, GOVERNOR HOLDER	1	
16#	91001ZF1003	BEARING, RADIAL BALL 6205TMB	1	
17#	91201Z0T801	OIL, SEAL 25X41X6	1	
18	91353671004	O-RING, 14 MM	1	
19	9405010000	NUT, FLANGE 10 MM	1	
20	9410106800	WASHER, PLAIN 6 MM	2	
21	9425108000	PIN, LOCK 8 MM	1	
23	957010601200	BOLT, FLANGE 6X12	2	



- ✕ GX160K1SM12: MODEL MVH120G S/N F-1104 (1998-2004)
- ◇ GX160U1SM12: MODEL MVH120G S/N F-1105 (2005)
- ◇ GX160U1SMX4: MODEL MVH120G S/N P-4378 AND ABOVE (2006)

HONDA GX160 ENGINE — CRANKCASE COVER ASSY.

CRANKCASE COVER ASSY.



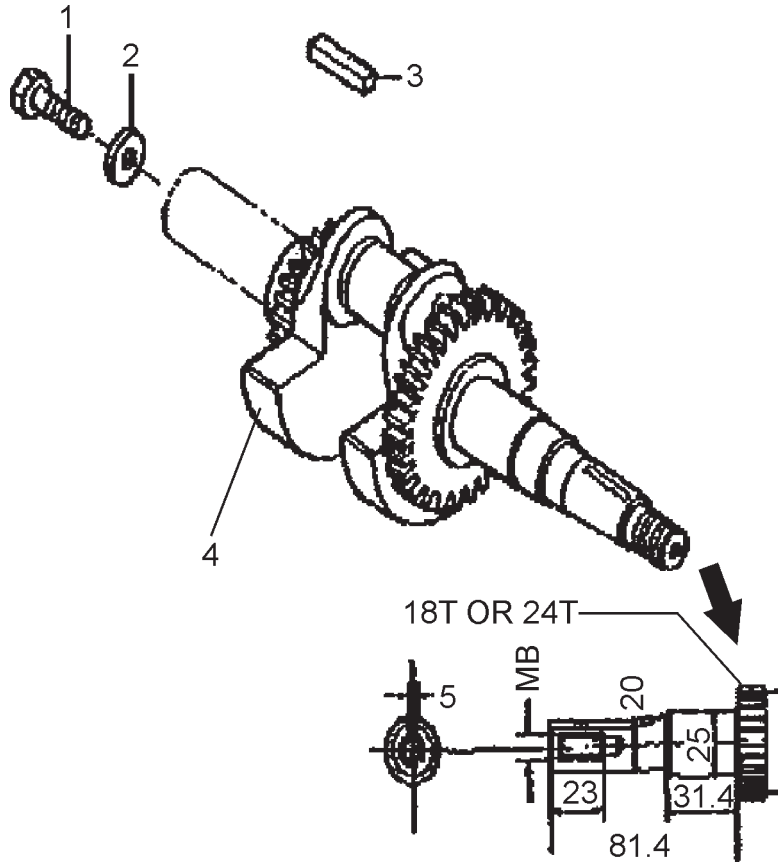
HONDA GX160 ENGINE — CRANKCASE COVER ASSY.

CRANKCASE COVER ASSY.

<u>NO</u>	<u>PART NO</u>	<u>PART NAME</u>	<u>QTY.</u>	<u>REMARKS</u>
1	11300ZZE1634	COVER ASSY. CRANKCASE	1	INCLUDES ITEMS W/%
4	11381ZH8801	GASKET CRANKCASE	1	
5	15600ZE1003	OIL GAUGE/CAP ASSY. (GRAY)	1	INCLUDES ITEMS W/#
6	15600ZG4003	OIL PLUG ASSY.	1	INCLUDES ITEMS W/+
8#+	15625ZE1003	PACKING, OIL FILLER CAP	1	
13%	91201Z0T801	OIL SEAL 25X41X6	1	
14	9430108140	DOWEL PIN 8X14	2	
16	957010803200	FLANGE BOLT 8X32	6	
17%	961006205010	BEARING, RADIAL BALL 6205	1	REPLACES 961006205000

HONDA GX160 ENGINE — CRANKSHAFT ASSY.

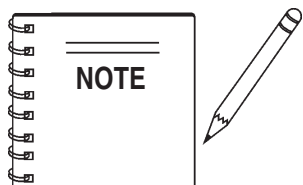
CRANKSHAFT ASSY.



HONDA GX160 ENGINE — CRANKSHAFT ASSY.

CRANKSHAFT ASSY.

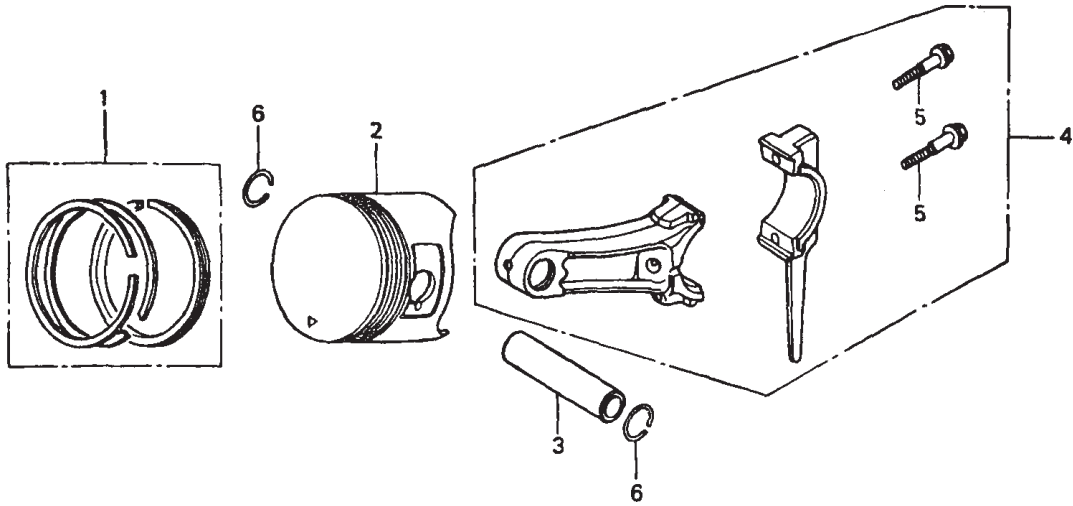
<u>NO</u>	<u>PART NO</u>	<u>PART NAME</u>	<u>QTY.</u>	<u>REMARKS</u>
1◆	92101080250A	BOLT	1	
2◆	90473842000	WASHER 8 MM	1	
3	90741883810	KEY 5X5X33 (YELLOW)	1	
4	13310ZE1000	CRANKSHAFT COMP.	1	



- ✘ GX160K1SM12: MODEL MVH120G S/N F-1104 (1998-2004)
- ◆ GX160U1SM12: MODEL MVH120G S/N F-1105 (2005)
- ◆ GX160U1SMX4: MODEL MVH120G S/N P-4378 AND ABOVE (2006)

HONDA GX160 ENGINE — PISTON ASSY.

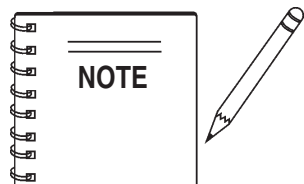
PISTON ASSY.



HONDA GX160 ENGINE — PISTON ASSY.

PISTON ASSY.

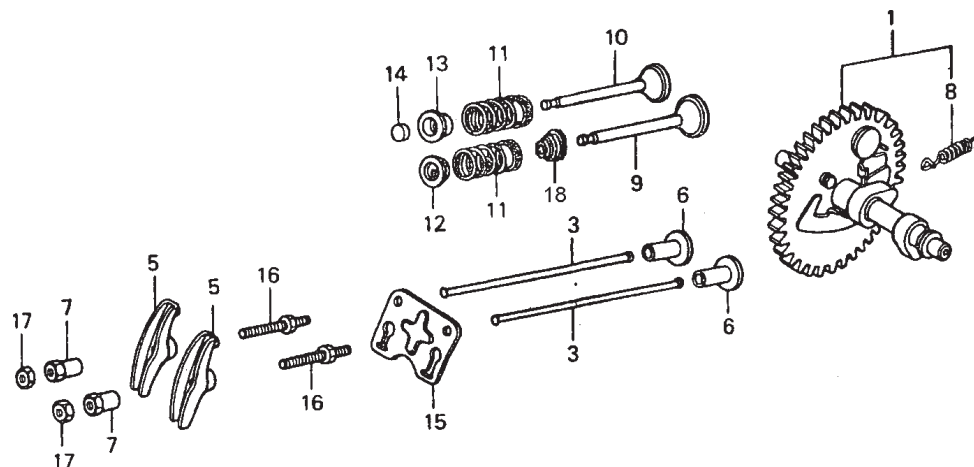
NO	PART NO	PART NAME	QTY.	REMARKS
1✖	13010ZL0003	RING SET, PISTON (STD)	1	
1◇◇	13010ZL0003	RING SET, PISTON (STD)	1	S/N 1120413 AND BELOW
1◇◇	13010Z4K004	RING SET, PISTON (STD)	1	S/N 1120414 AND ABOVE
1✖	13011ZL0003	RING SET, PISTON (0.25)	1	
1◇◇	13011Z4K004	RING SET, PISTON (0.25)	1	S/N 1120413 AND BELOW
1◇◇	13011ZL0003	RING SET, PISTON (0.25)	1	S/N 1120414 AND ABOVE
1✖	13012ZH0003	RING SET, PISTON (0.50)	1	
1◇◇	13012ZL0003	RING SET, PISTON (0.50)	1	S/N 1120413 AND BELOW
1◇◇	13012Z4K004	RING SET, PISTON (0.50)	1	S/N 1120414 AND ABOVE
1✖	13013ZH0003	RING SET, PISTON (0.75)	1	
1◇◇	13013ZL0003	RING SET, PISTON (0.75)	1	S/N 1120413 AND BELOW
1◇◇	13013Z4K004	RING SET, PISTON (0.75)	1	S/N 1120414 AND ABOVE
2✖	13101ZH8010	PISTON (STD)	1	
2◇◇	13101ZH8010	PISTON (STD)	1	S/N 1120413 AND BELOW
2◇◇	13101ZH8020	PISTON (STD)	1	S/N 1120414 AND ABOVE
2✖	13102ZH8010	PISTON (0.25)	1	
2◇◇	13102ZH8010	PISTON (0.25)	1	S/N 1120413 AND BELOW
2◇◇	13102ZH8020	PISTON (0.25)	1	S/N 1120414 AND ABOVE
2✖	13103ZH8010	PISTON (0.50)	1	
2◇◇	13103ZH8010	PISTON (0.50)	1	S/N 1120413 AND BELOW
2◇◇	13103ZH8020	PISTON (0.50)	1	S/N 1120414 AND ABOVE
2✖	13104ZH8010	PISTON (0.75)	1	
2◇◇	13104ZH8010	PISTON (0.75)	1	S/N 1120413 AND BELOW
2◇◇	13104ZH8020	PISTON (0.75)	1	S/N 1120414 AND ABOVE
3	13111ZE1000	PISTON PIN	1	
4	13200ZE1010	ROD ASSY., CONNECTING	1	INCLUDES ITEM W/#
4✖	132A0ZE1000	ROD ASSY., CONNECTING	1	0.25 UNDER SIZE (OPTION)
5#	90001ZE1000	BOLT, CONNECTING ROD	2	
6	90551ZE1000	CLIP, PISTON PIN 18 MM	2	



- ✖ GX160K1SM12: MODEL MVH120G S/N F-1104 (1998-2004)
- ◇ GX160U1SM12: MODEL MVH120G S/N F-1105 (2005)
- ◇ GX160U1SMX4: MODEL MVH120G S/N P-4378 AND ABOVE (2006)

HONDA GX160 ENGINE — CAMSHAFT ASSY.

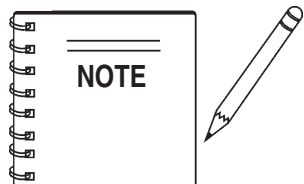
CAMSHAFT ASSY.



HONDA GX160 ENGINE — CAMSHAFT ASSY.

CAMSHAFT ASSY.

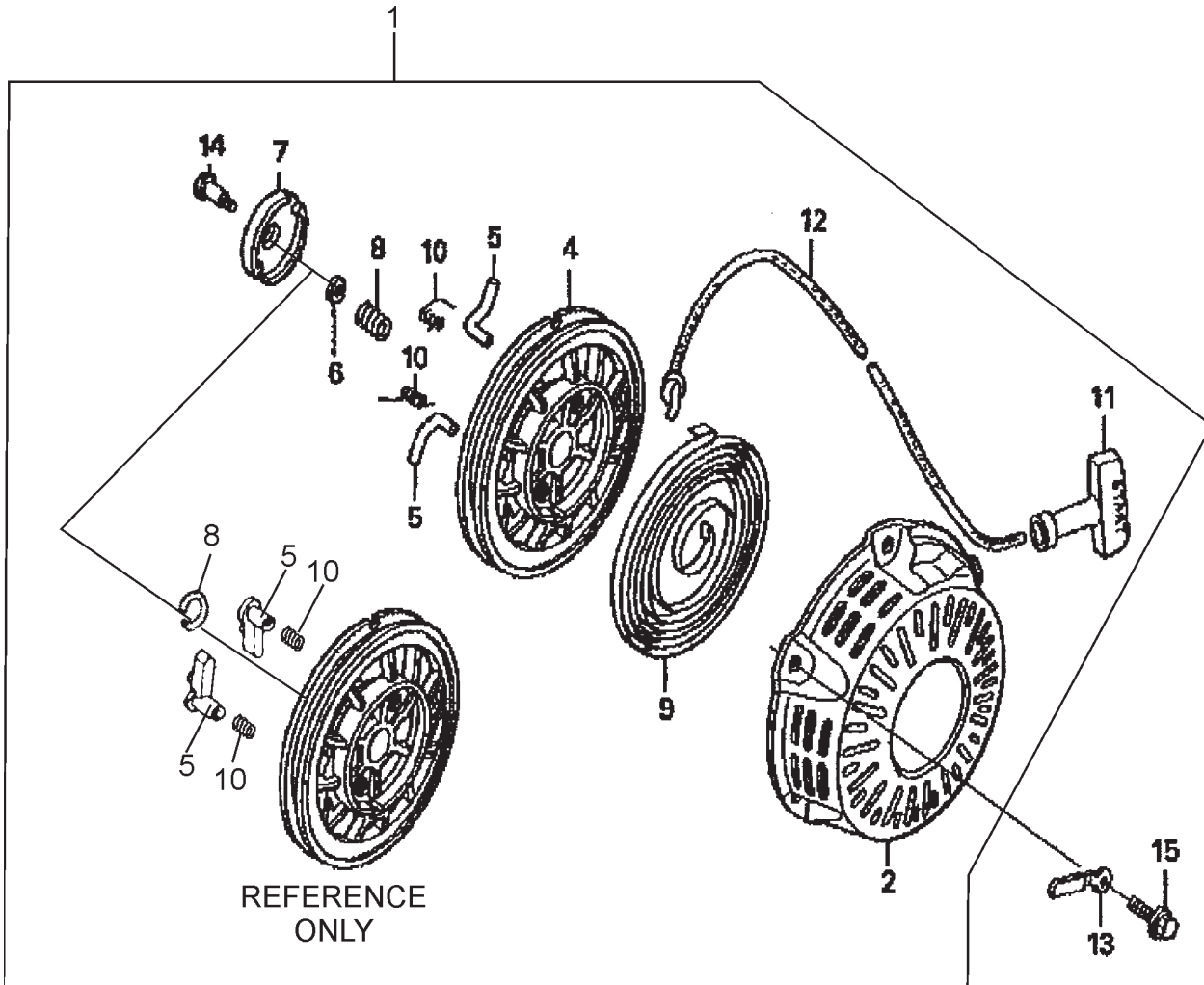
<u>NO</u>	<u>PART NO</u>	<u>PART NAME</u>	<u>QTY.</u>	<u>REMARKS</u>
1	14100ZE1812	CAMSHAFT ASSY.	1	INCLUDES ITEM W/#
3	14410ZE1010	ROD, PUSH	2	
5	14431ZE1000	ARM, VALVE ROCKER	2	
6	14441ZE1010	LIFTER, VALVE	2	
7	14451ZE1013	PIVOT, ROCKER ARM	2	
8#	14568ZE1000	SPRING, WEIGHT RETURN	1	
9	14711ZF1000	VALVE, INLET	1	
10	14721ZF1000	VALVE, EXHAUST	2	
11	14751ZF1000	SPRING, VALVE	1	
12	14771ZE1000	RETAINER, INTAKET VALVE	1	
13	14773ZE1000	RETAINER, EXHAUST VALVE	1	
14	14781ZE1000	ROTATOR, VALVE	1	
15	14791ZE1010	PLATE, PUSH ROD GUIDE	1	
16	90012ZE0010	BOLT, PIVOT 8 MM	2	
17	90206ZE1000	NUT, PIVOT ADJUSTING	2	
18x	14781ZE1000	SEAL, VALVE STEM	1	
18◇◇	12209ZH8003	SEAL, VALVE STEM	1	



- ✘ GX160K1SM12: MODEL MVH120G S/N F-1104 (1998-2004)
- ◇ GX160U1SM12: MODEL MVH120G S/N F-1105 (2005)
- ◆ GX160U1SMX4: MODEL MVH120G S/N P-4378 AND ABOVE (2006)

HONDA GX160 ENGINE — RECOIL STARTER ASSY.

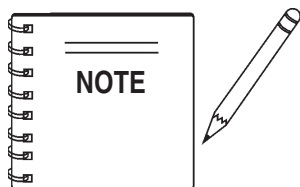
RECOIL STARTER ASSY.



HONDA GX160 ENGINE — RECOIL STARTER ASSY.

RECOIL STARTER ASSY.

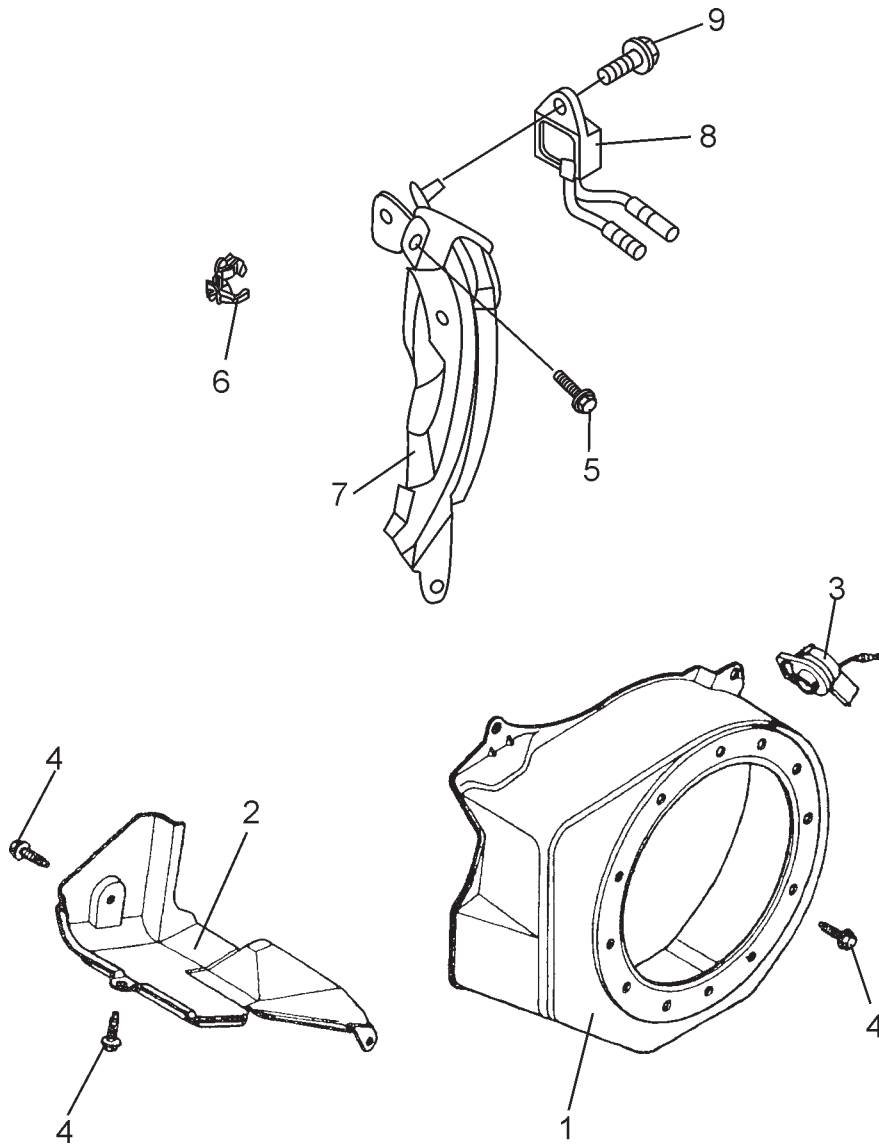
<u>NO</u>	<u>PART NO</u>	<u>PART NAME</u>	<u>QTY.</u>	<u>REMARKS</u>
1✘	28400ZH8013ZB	STARTER ASSY., RECOIL (BLACK)	1	INCLUDES ITEMS W/# S/N 8805657 AND BELOW
1✘	28400ZH8023ZB	STARTER ASSY., RECOIL (BLACK)	1	INCLUDES ITEMS W/% S/N 8805658 AND ABOVE
1◇◇	28400ZH8023ZB	STARTER ASSY., RECOIL (BLACK)	1	INCLUDES ITEMS W/+
2#%+	28410ZH8003ZB	CASE COMP., RECOIL STARTER NH1	1	
4✘#	28421ZH8013	REEL, RECOIL STARTER	1	S/N 8805657 AND BELOW
4✘%	28421ZH8801	REEL, RECOIL STARTER	1	S/N 8805658 AND ABOVE
4◇◇+	28421ZH8801	REEL, RECOIL STARTER	1	
5✘#	28422ZH8013	RACHET STARTER	2	S/N 8805657 AND BELOW
5✘%	28422ZH8801	RACHET STARTER	2	S/N 8805658 AND ABOVE
5◇◇+	28422ZH8801	RACHET STARTER	2	
6✘%	28431ZH8801	PLATE, FRICTION	1	S/N 8805658 AND ABOVE
6◇◇+	28431ZH8801	PLATE, FRICTION	1	
7✘#	28433ZH8003	GUIDE, RATCHET	1	S/N 8805657 AND BELOW
7✘%	28433ZH8801	GUIDE, RATCHET	1	S/N 8805658 AND ABOVE
7◇◇+	28433ZH8801	GUIDE, RATCHET	1	
8✘#	28441ZH8003	SPRING, FRICTION	1	S/N 8805657 AND BELOW
8✘%	28441ZH8801	SPRING, FRICTION	1	S/N 8805658 AND ABOVE
8◇◇+	28441ZH8801	SPRING, FRICTION	1	
9#%+	28442ZH8003	SPRING, RECOIL STARTER	1	
10✘#	28443ZH8003	SPRING, RETURN	2	S/N 8805657 AND BELOW
10✘%	28443ZH8801	SPRING, RETURN	2	S/N 8805658 AND ABOVE
10◇◇+	28443ZH8801	SPRING, RETURN	2	
11#%+	28461ZH8003	GRIP, STARTER	1	
12#%+	28462ZH8003	ROPE, RECOIL STARTER	1	
13✘◇	32901MA1000	CLIP, SUB CORD	1	
14✘#	90003ZH8003	SCREW, SET	1	S/N 8805657 AND BELOW
14✘%	90003ZH8801	SCREW, SET	1	S/N 8805658 AND ABOVE
14◇◇+	90003ZH8801	SCREW, SET	1	
15	90008ZE2003	BOLT, FLANGE, 6X10	3	



- ✘ GX160K1SM12: MODEL MVH120G S/N F-1104 (1998-2004)
- ◇ GX160U1SM12: MODEL MVH120G S/N F-1105 (2005)
- ◇ GX160U1SMX4: MODEL MVH120G S/N P-4378 AND ABOVE (2006)

HONDA GX160 ENGINE — FAN COVER ASSY.

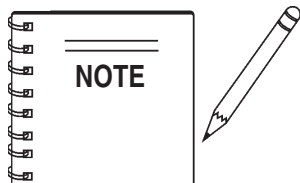
FAN COVER ASSY.



HONDA GX160 ENGINE — FAN COVER ASSY.

FAN COVER ASSY.

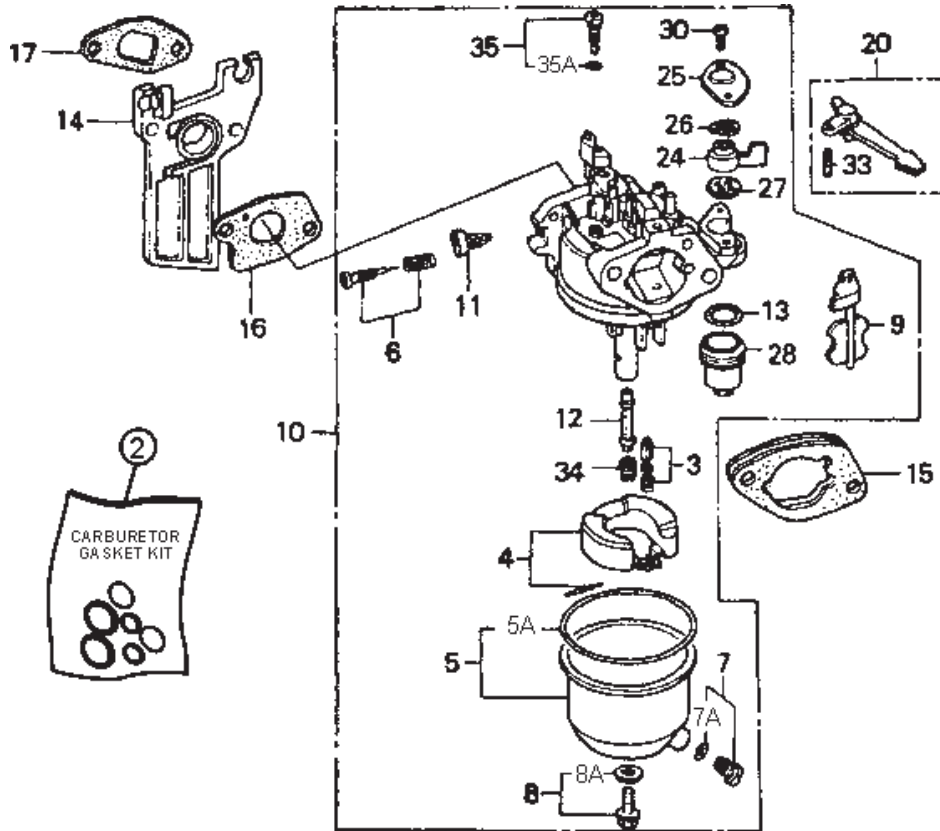
<u>NO</u>	<u>PART NO</u>	<u>PART NAME</u>	<u>QTY.</u>	<u>REMARKS</u>
1✖	19610ZE1000ZC	COVER COMP., FAN NH1	1	
1◇◇	19610ZE1000ZC	COVER COMP., FAN NH1	1	S/N 1120542 AND BELOW
1◇◇	19610ZE1010ZC	COVER COMP., FAN NH1	1	S/N 1120543 AND ABOVE
2	19630ZH8000	SHROUD COMP.	1	
3✖	36100ZH7003	SWITCH ASSY. ENGINE STOP	1	
3◇◇	36100ZF6P81	SWITCH ASSY. ENGINE STOP	1	S/N 1145482 AND BELOW
3◇◇	36100ZF6P82	SWITCH ASSY. ENGINE STOP	1	S/N 1145483 AND ABOVE
4	90013883000	BOLT, FLANGE 6X12	6	
5	90022888010	BOLT, FLANGE 6X20	1	
6	90601ZH7013	CLIP, HARNESS	1	
7	19611ZH8810	PLATE COMP., SIDE OIL ALERT	1	
8✖	34150ZH7003	ALERT UNIT, OIL	1	
8◇◇	34150ZH7003	ALERT UNIT, OIL	1	S/N 1145270 AND BELOW
8◇◇	34150ZH7013	ALERT UNIT, OIL	1	S/N 1145271 AND ABOVE
9	957010600800	BOLT, FLANGE 6X8	1	



- ✖ GX160K1SM12: MODEL MVH120G S/N F-1104 (1998-2004)
- ◇ GX160U1SM12: MODEL MVH120G S/N F-1105 (2005)
- ◇ GX160U1SMX4: MODEL MVH120G S/N P-4378 AND ABOVE (2006)

HONDA GX160 ENGINE — CARBURETOR ASSY.

CARBURETOR ASSY.



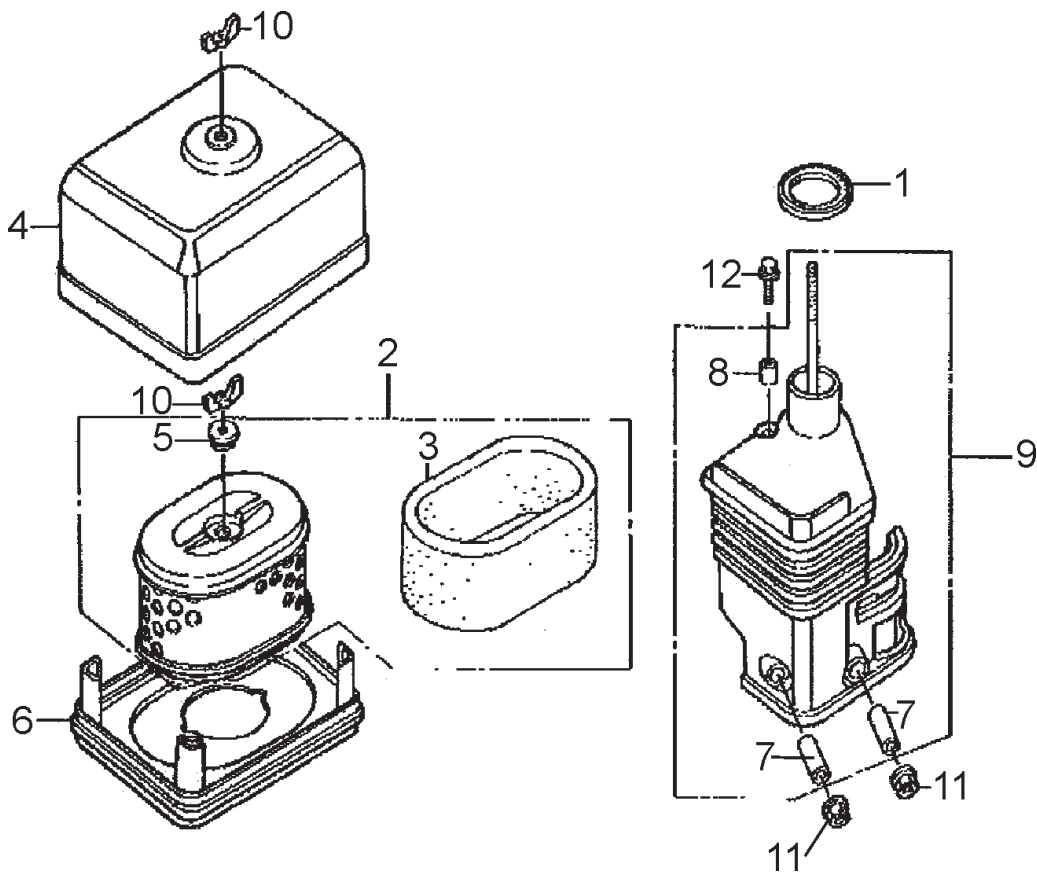
HONDA GX160 ENGINE — CARBURETOR ASSY.

CARBURETOR ASSY.

<u>NO</u>	<u>PART NO</u>	<u>PART NAME</u>	<u>QTY.</u>	<u>REMARKS</u>
2	16010ZE1812	GASKET SET	1	INCLUDES ITEMS W/∞
3#	16011ZE0005	FLOAT VALVE SET	1	
4#	16013ZE0005	FLOAT SET	1	
5#	16015ZE0831	FLOAT CHAMBER SET	1	INCLUDES ITEMS W/*
5A&*		GASKET, FLOAT CHAMBER SET	1	NOT SOLD SEPARATELY
6#	16016ZH7W01	SCREW SET, PILOT	1	
7#	16024ZE1811	SCREW SET, DRAIN	1	INCLUDES ITEMS W/\$
7A&\$		GASKET, DRAIN SCREW SET	1	NOT SOLD SEPARATELY
8#	16028ZE0005	SCREW SET	1	INCLUDES ITEMS W/+
8A&+		GASKET, SCREW SET	1	NOT SOLD SEPARATELY
9#	16044ZE0005	CHOKE SET	1	
10	16100ZH8W51	CARBURETOR ASSY.	1	INCLUDES ITEMS W/#
11#	16124ZE0005	SCREW, THROTTLE STOP	1	
12#	16166ZH8W50	MAIN NOZZLE	1	
13#&	16955283000	PACKING, FUEL STRAINER CUP	1	REPLACES 16173001004
14	16211ZE1000	INSULATOR, CARBURETOR	1	
15	16220ZE1020	SPACER COMP., CARBURETOR	1	
16	16221ZH8801	PACKING, CARBURETOR	1	
17	16212ZH8800	PACKING, INSULATOR	1	
20	16610ZE1000	LEVER COMP., CHOKE (STD)	1	INCLUDES ITEMS W/%
24#	16953ZE1812	LEVER, COCK	1	
25#	16954ZE1812	PLATE, LEVER SETTING	1	
26#	16956ZE1811	SPRING, COCK LEVER	1	
27#&	16957ZE1812	PACKING, FUEL COCK	1	
28#	16967ZE0811	CUP, FUEL STRAINER	1	
30#	93500030060H	SCREW, PAN 3X6	2	REPLACES 93500030061H
33%	9430520122	PIN, SPRING 2X12	1	
34	99101ZH80650	MAIN JET #65, OPTION	1	
34	99101ZH80680	MAIN JET #68, OPTION	1	
34#	99101ZH80700	MAIN JET #70, OPTION	1	
35#	99204ZE00350	PILOT JET SET #35	1	INCLUDES ITEMS W/>
35A&>		GASKET, PILOT JET SET #35	1	NOT SOLD SEPARATELY

HONDA GX160 ENGINE — AIR CLEANER ASSY.

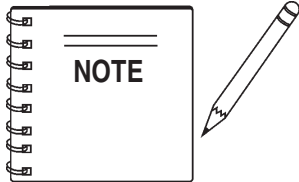
AIR CLEANER ASSY.



HONDA GX160 ENGINE — AIR CLEANER ASSY.

AIR CLEANER ASSY.

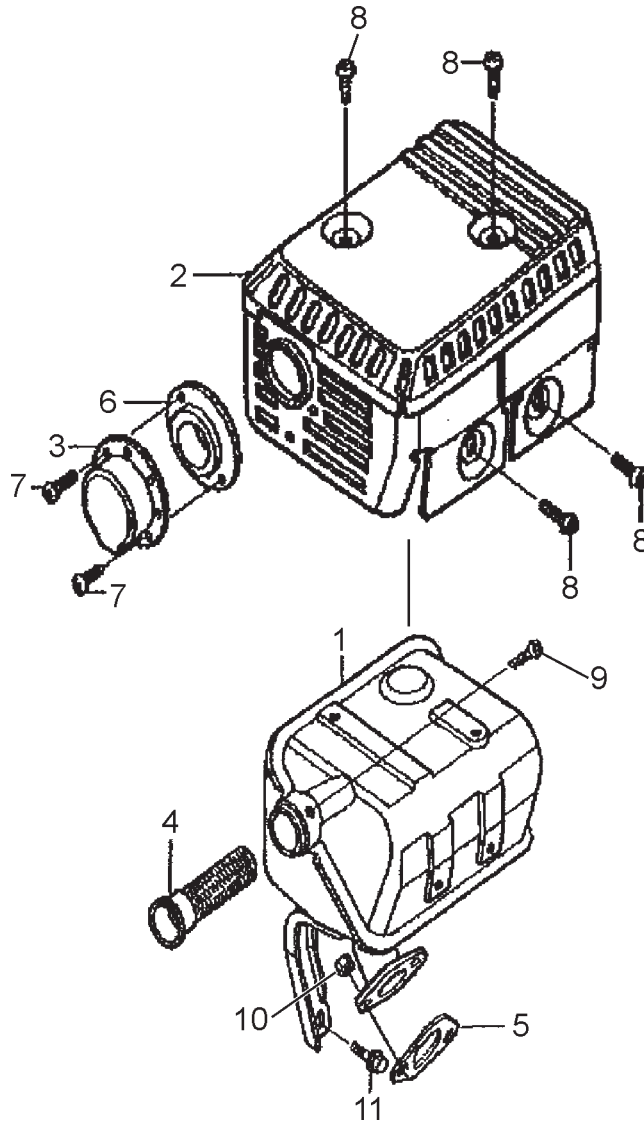
<u>NO</u>	<u>PART NO</u>	<u>PART NAME</u>	<u>QTY.</u>	<u>REMARKS</u>
1	16271ZE1000	PACKING, ELBOW	1	
2	17210ZE1505	CLEANER ELEMENT	1	INCLUDES ITEMS W/# REPLACES 17210ZE1822
3#	17218ZE1505	OUTER ELEMENT	1	REPLACES 17218ZE1821
4	17230ZE1820	COVER, AIR CLEANER	1	
5#	17232891000	GROMET, AIR CLEANER	1	
6# ♦	17235ZE1831	NOSE, SILENCER	1	
7%	17238ZE7010	COLLAR, AIR CLEANER	2	
8%	17239ZE1000	COLLAR (B), AIR CLEANER	1	
9	17410ZE1020	ELBOW COMP., AIR CLEANER .	1	INCLUDES ITEMS W/%
10	90325044000	NUT	2	
11	9405006000	NUT, FLANGE 6MM	2	
12	957010602000	BOLT, FLANGE 6X20	1	



- ✘ GX160K1SM12: MODEL MVH120G S/N F-1104 (1998-2004)
- ♦ GX160U1SM12: MODEL MVH120G S/N F-1105 (2005)
- ◆ GX160U1SMX4: MODEL MVH120G S/N P-4378 AND ABOVE (2006)

HONDA GX160 ENGINE — MUFFLER ASSY.

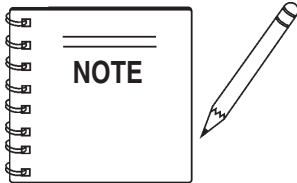
MUFFLER ASSY.



HONDA GX160 ENGINE — MUFFLER ASSY.

MUFFLER ASSY.

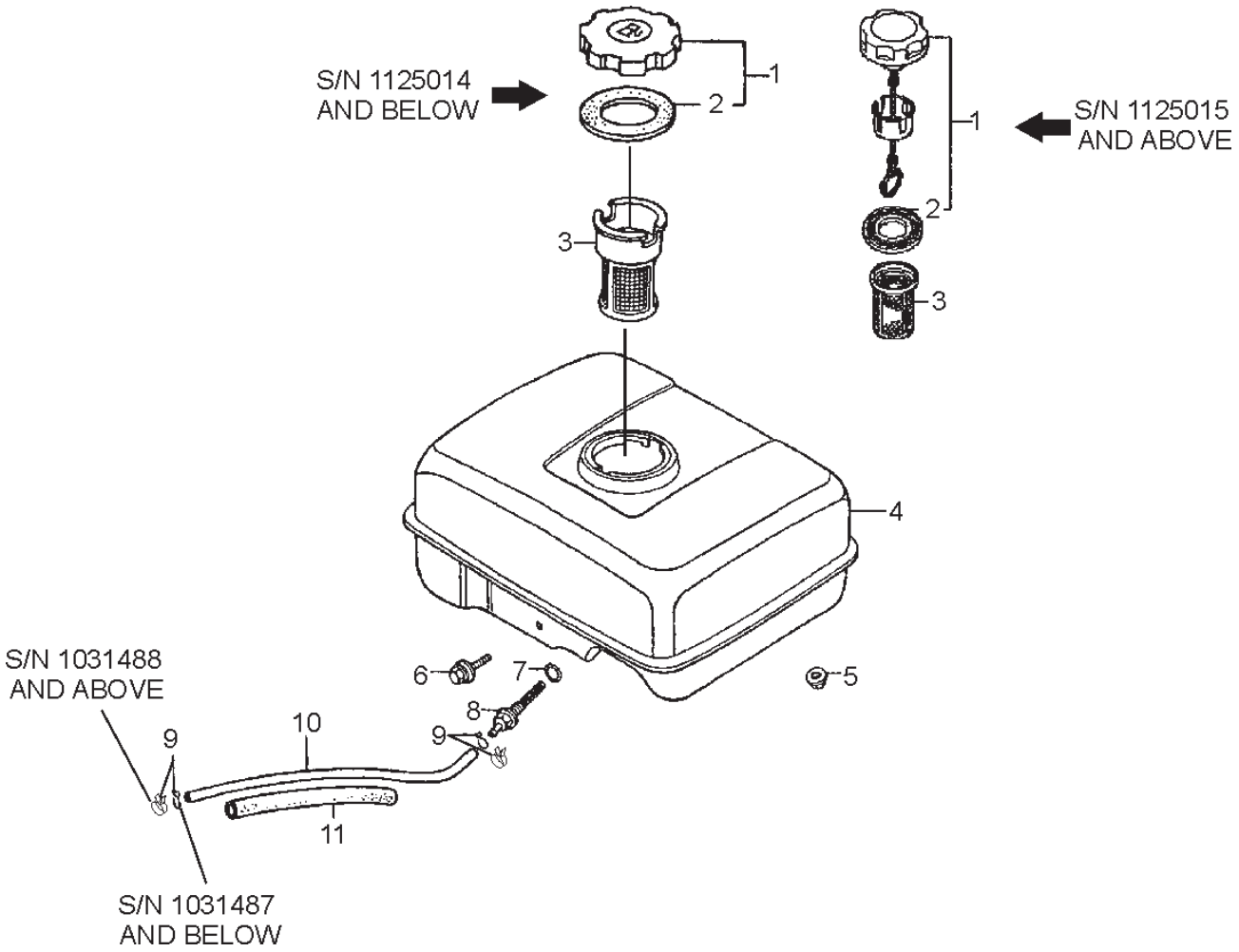
<u>NO</u>	<u>PART NO</u>	<u>PART NAME</u>	<u>QTY.</u>	<u>REMARKS</u>
1	18310ZH8810	MUFFLER COMP.	1	
2	19320ZF1H01	PROTECTOR, MUFFLER	1	
3	18340ZE1010	DEFLECTOR COMP.	1	
4	18355ZE1000	ARRESTOR, SPARK	1	
5	18381ZH8800	GASKET, MUFFLER	1	
6	18522ZE1000	GUIDE, MUFFLER	1	
7	90002ZG0003	SCREW, TAPPING 4X8	2	
8	90050ZE1000	SCREW, TAPPING 5X8	5	
9	90055ZE1000	SCREW, TAPPING 4X6	1	
10	020108060	NUT, HEX 8MM	2	REPLACES 94001080000S
11◆	90016ZE1000	BOLT, FLANGE 6X13	1	



- ✘ GX160K1SM12: MODEL MVH120G S/N F-1104 (1998-2004)
- ◆ GX160U1SM12: MODEL MVH120G S/N F-1105 (2005)
- ◆ GX160U1SMX4: MODEL MVH120G S/N P-4378 AND ABOVE (2006)

HONDA GX160 ENGINE — FUEL TANK ASSY.

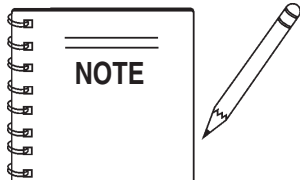
FUEL TANK ASSY.



HONDA GX160 ENGINE — FUEL TANK ASSY.

FUEL TANK ASSY.

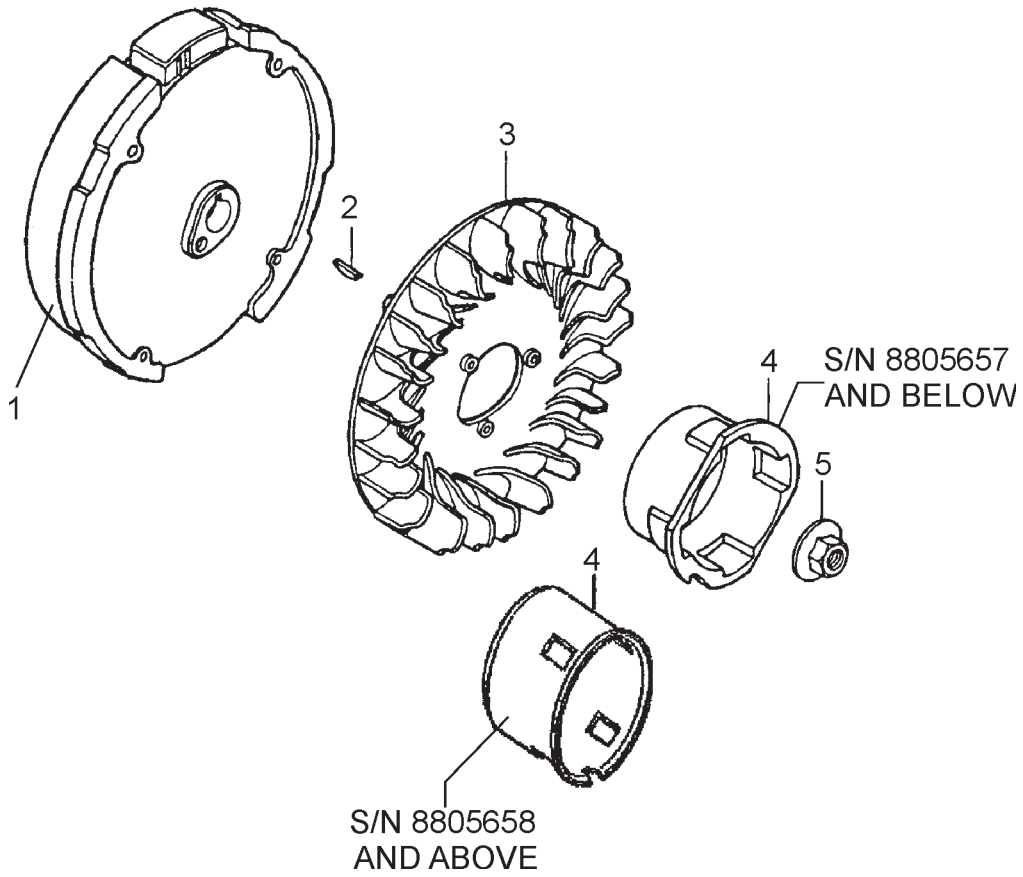
<u>NO</u>	<u>PART NO</u>	<u>PART NAME</u>	<u>QTY.</u>	<u>REMARKS</u>
1✘	17620Z0T305	CAP COMP., CHROME PLATED	1	INCLUDES ITEM W/#
1◇◇	17620Z0T305	CAP COMP., CHROME PLATED	1	S/N 1125014 AND BELOW INCLUDES ITEM W/+
1◇◇	17620Z4H000	CAP COMP., CHROME PLATED	1	S/N 1125015 AND ABOVE INCLUDES ITEM W/%
2#	17631Z0T812	PACKING, FUEL FILLER CAP	1	
2◇◇+	17631Z0T812	PACKING, FUEL FILLER CAP	1	S/N 1125014 AND BELOW
2◇◇%	17631Z0T801	PACKING, FUEL FILLER CAP	1	S/N 1125015 AND ABOVE
3✘	17672ZE2W01	FILTER, FUEL	1	
3◇◇	17672ZE2W01	FILTER, FUEL	1	S/N 1125014 AND BELOW
3◇◇	117672Z4H000	FILTER, FUEL	1	S/N 1125015 AND ABOVE
4✘◇	17510ZE1020ZF	FUEL TANK COMP.	1	
4◇	17510ZE1020ZF	FUEL TANK COMP.	1	S/N 1137417 AND BELOW
4◇	17510ZE1030ZF	FUEL TANK COMP.	1	S/N 1137418 AND ABOVE
5	9405006000	FLANGE NUT 6 MM	2	
6	90004ZH7003	BOLT, FLANGE 6X29	1	
7	91353671003	O-RING 14 MM	1	REPLACES 91353671004
8	16955ZE1000	JOINT, FUEL TANK	1	
9✘	9500202080	CLIP, TUBE	2	
9◇◇	9500202080	CLIP, TUBE	2	S/N 1031487 AND BELOW
9◇◇	950024080008	CLAMP, TUBE	2	S/N 1031488 AND ABOVE
10✘	950014514040	TUBE, FUEL 4.5X140	1	
10◇◇	90014514040	TUBE, FUEL 4.5X140	1	S/N 1031487 AND BELOW
10◇◇	91424Z4F801	TUBE, FUEL 4.5X140	1	S/N 1031488 AND ABOVE
11	16854ZH8000	RUBBER, SUPPORT (107 MM)	1	



- ✘ GX160K1SM12: MODEL MVH120G S/N F-1104 (1998-2004)
- ◇ GX160U1SM12: MODEL MVH120G S/N F-1105 (2005)
- ◇ GX160U1SMX4: MODEL MVH120G S/N P-4378 AND ABOVE (2006)

HONDA GX160 ENGINE — FLYWHEEL ASSY.

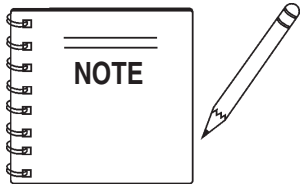
FLYWHEEL ASSY.



HONDA GX160 ENGINE — FLYWHEEL ASSY.

FLYWHEEL ASSY.

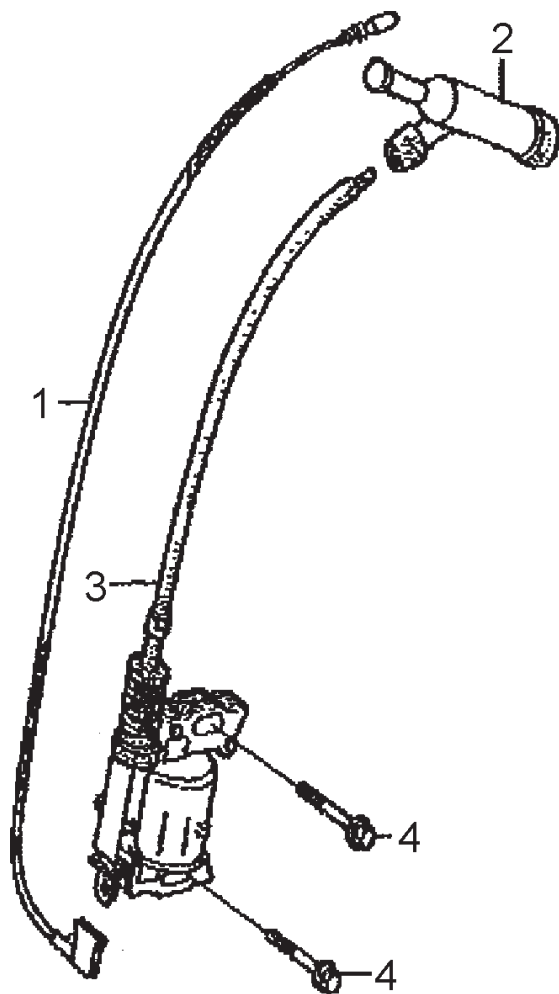
<u>NO</u>	<u>PART NO</u>	<u>PART NAME</u>	<u>QTY.</u>	<u>REMARKS</u>
1	31100ZE1010	FLYWHEEL COMP.	1	
2	13331357000	WOODRUFF KEY 25X18	1	
3	19511ZE1000	FAN, COOLING	1	
4✖	28451ZH8003	PULLEY, STARTER	1	S/N 8805657 AND BELOW
4✖	28451ZH8801	PULLEY, STARTER	1	S/N 8805658 AND ABOVE
4♦♦	28451ZH8801	PULLEY, STARTER	1	
5	90201878003	SPECIAL NUT 14MM	1	



- ✖ GX160K1SM12: MODEL MVH120G S/N F-1104 (1998-2004)
- ♦ GX160U1SM12: MODEL MVH120G S/N F-1105 (2005)
- ♦ GX160U1SMX4: MODEL MVH120G S/N P-4378 AND ABOVE (2006)

HONDA GX160 ENGINE — IGNITION COIL ASSY.

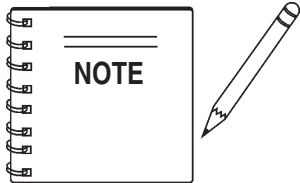
IGNITION COIL ASSY.



HONDA GX160 ENGINE — IGNITION COIL ASSY.

IGNITION COIL ASSY.

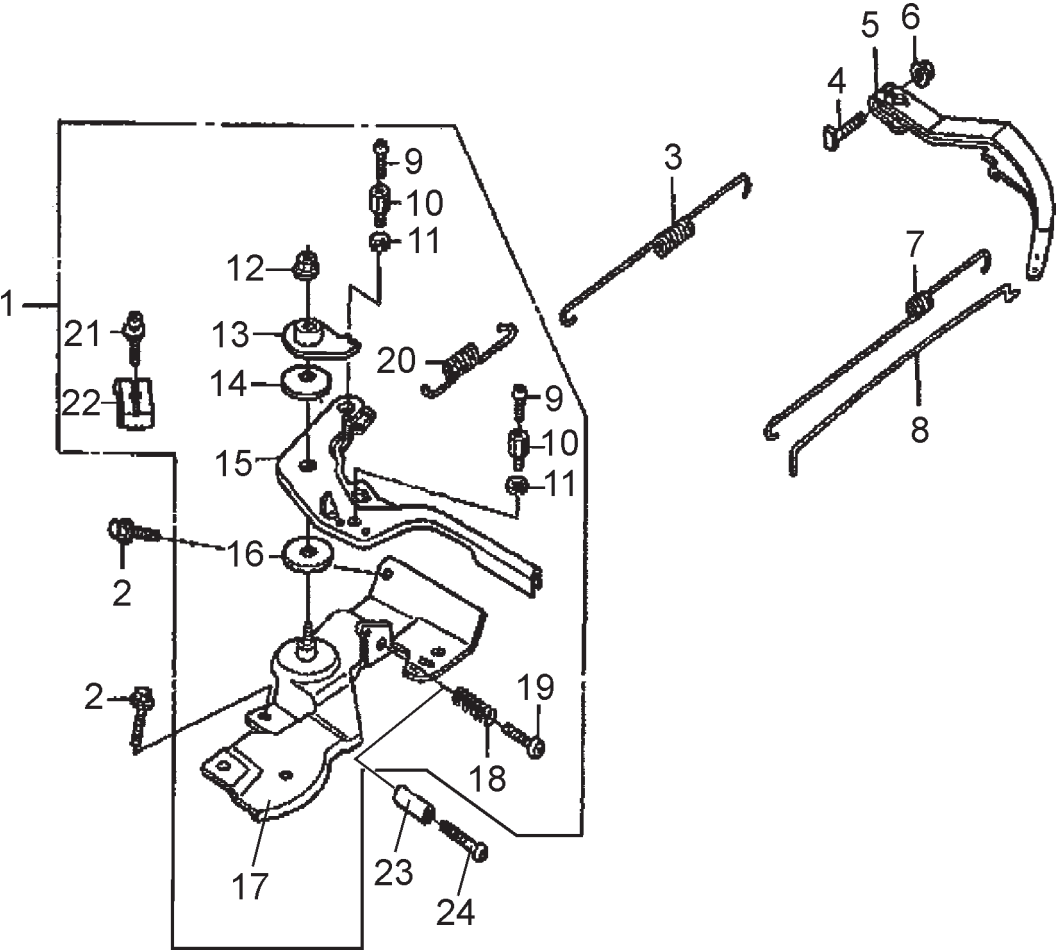
<u>NO</u>	<u>PART NO</u>	<u>PART NAME</u>	<u>QTY.</u>	<u>REMARKS</u>
1	36101ZE1010	CORD, STOP SWITCH (370 MM)	1	
2	30600ZE1013	CAP ASSY., NOISE SUPPRESSOR	1	
3✖	30500ZE1043	COIL ASSY., IGNITION	1	S/N 8954625 AND BELOW
3✖	30500ZE1053	COIL ASSY., IGNITION	1	S/N 8954626 AND ABOVE
3◇◇	30500ZE1063	COIL ASSY., IGNITION	1	S/N 1141205 AND BELOW
3◇◇	30500ZE1073	COIL ASSY., IGNITION	1	S/N 1141206 AND ABOVE
4	90121952000	FLANGE BOLT 6X25	2	



- ✖ GX160K1SM12: MODEL MVH120G S/N F-1104 (1998-2004)
- ◇ GX160U1SM12: MODEL MVH120G S/N F-1105 (2005)
- ◇ GX160U1SMX4: MODEL MVH120G S/N P-4378 AND ABOVE (2006)

HONDA GX160 ENGINE — CONTROL ASSY.

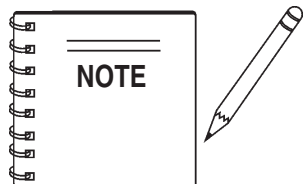
CONTROL ASSY.



HONDA GX160 ENGINE — CONTROL ASSY.

CONTROL ASSY.

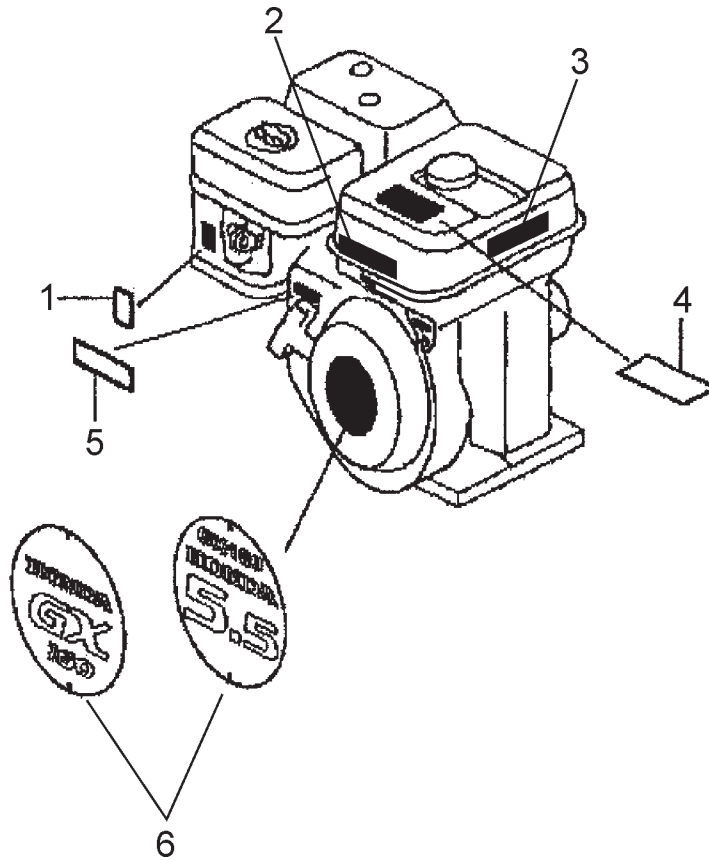
<u>NO</u>	<u>PART NO</u>	<u>PART NAME</u>	<u>QTY.</u>	<u>REMARKS</u>
1	16500ZH8U43	CONTROL ASSY.	1	INCLUDES ITEMS W/#
2	90013883000	FLANGE BOLT 6X12	2	
3	16561ZE1020	SPRING, GOVERNOR	1	
4	90015ZE5010	BOLT, GOVERNOR ARM	1	
5	16551ZE0010	ARM, GOVERNOR	1	
6	9405006000	NUT, FLANGE 6 MM	1	
7	16562ZE1020	SPRING, THROTTLE RETURN	1	
8	16555ZE1000	ROD, GOVERNOR	1	
9#	93500040060H	SCREW, PAN 4X6	2	
10#	16594883010	WIRE HOLDER	2	
11#	90605230000	CIRCLIP, 5 MM	2	
12#	90114SA0000	NUT, SELF-LOCK 6 MM	1	
13#	16575ZH8000	WASHER, CONTROL LEVER	1	
14#	16574ZE1000	LEVER SPRING	1	
15#	16571ZH8020	LEVER CONTROL	1	
16#	16578ZE1000	SPACER, CONTROL LEVER	1	
17#	16580ZH8813	BASE COMP., CONTROL	1	
18#	16584883300	SPRING, CONTROL ADJUSTING	1	
19#	93500050250H	SCREW, PAN 5X25	1	
20#	16592ZE1810	SPRING, CABLE RETURN	1	
21#	93500050160A	SCREW, PAN 5X16	1	
22#	16576891000	HOLDER, CABLE	1	
23◆	16599ZG1M10	COLLAR, STOPPER	1	OPTION
24◆	90016ZG9N30	SCREW, RECESSED 5X25	1	OPTION



- ✘ GX160K1SM12: MODEL MVH120G S/N F-1104 (1998-2004)
- ◆ GX160U1SM12: MODEL MVH120G S/N F-1105 (2005)
- ◆ GX160U1SMX4: MODEL MVH120G S/N P-4378 AND ABOVE (2006)

HONDA GX160 ENGINE — LABEL ASSY.

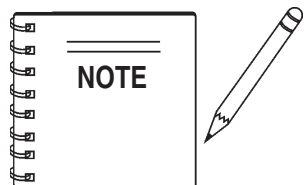
LABEL ASSY.



HONDA GX160 ENGINE — LABEL ASSY.

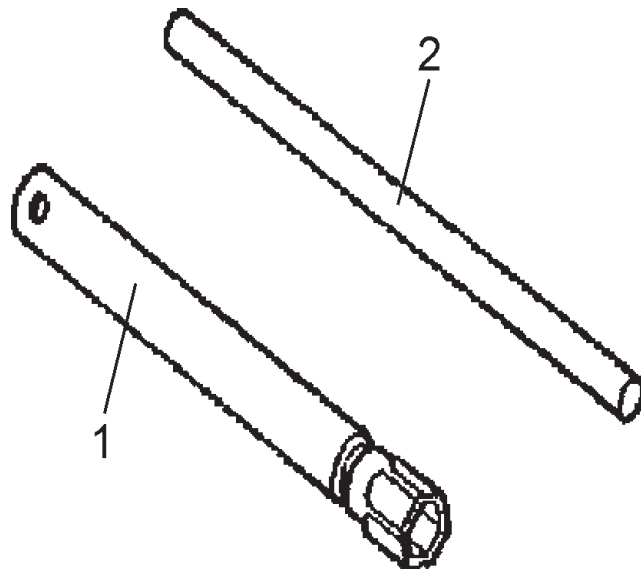
LABEL ASSY.

<u>NO</u>	<u>PART NO</u>	<u>PART NAME</u>	<u>QTY.</u>	<u>REMARKS</u>
1✖	87528ZE1810	MARK, CHOKE	1	
1◇◇	87528ZH7000	MARK, CHOKE (GRAY)	1	
2✖	87522ZH9010	LABEL, CAUTION (ENGLISH ETC.)	1	
3✖	87532ZH8810	MARK, OIL ALERT (EXTERNAL)	1	
4◇◇	87516ZH7810	MARK, OPERATOR CAUTION (ENGLISH)	1	
5◇◇	87532ZH7000	MARK, THROTTLE INDICATION	1	
6✖	87521ZH8030	EMBLEM (GX160 5.5)	1	
6◇◇	87521ZH8030	EMBLEM (GX160 5.5)	1	S/N 1120413 AND BELOW
6◇◇	87521ZH8040	EMBLEM (GX160 5.5)	1	S/N 1120414 AND ABOVE



- ✖ GX160K1SM12: MODEL MVH120G S/N F-1104 (1998-2004)
- ◇ GX160U1SM12: MODEL MVH120G S/N F-1105 (2005)
- ◇ GX160U1SMX4: MODEL MVH120G S/N P-4378 AND ABOVE (2006)

TOOLS ASSY.



HONDA GX160 ENGINE — TOOLS ASSY.

TOOLS ASSY.

<u>NO</u>	<u>PART NO</u>	<u>PART NAME</u>	<u>QTY.</u>	<u>REMARKS</u>
1	89218ZE1000	WRENCH COMPLETE, SPARK PLUG	1	
2	89219805000	HANDLE, BOX WRENCH	1	