



HOMEOWNER'S CARE AND OPERATION INSTRUCTIONS

FIREPLUS SERIES

38" & 43" Wood Burning Fireplaces
P/N 875,007M REV. N/C 03/2001

MODELS

FP-38

FP-43

The information contained in this manual applies to all model fireplaces identified on this page. This information will help you obtain safe and dependable service from your Lennox fireplace system. Keep this document in a safe place for future reference.

Before you start your first fire, read this Care and Operations Manual carefully to be sure you understand your fireplace system completely. Failure to follow these suggestions could result in hazardous operation or fireplace malfunction, creating a serious potential for personal injury and/or property damage.

If you have any questions regarding the safe use or operation of your fireplace, contact your local Lennox Dealer or your contractor/builder.

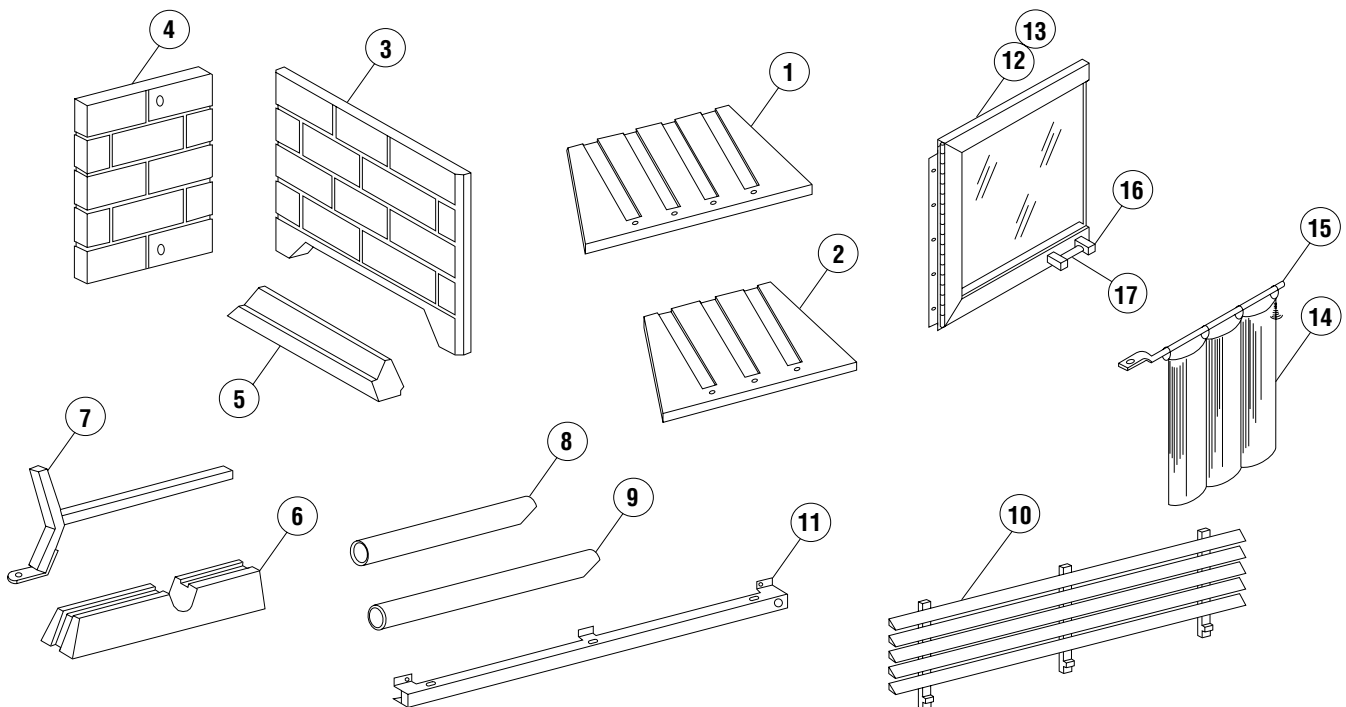
**RETAIN THESE INSTRUCTIONS
FOR FUTURE REFERENCE**



WH Report No. 629-935173

REPLACEMENT PART LIST

No.	Description	FirePlus-38		FirePlus-43	
		Catalog No.	Qty.	Catalog No.	Qty.
1.	Refractory, Bottom Assy.	-	-	16M57	1
2.	Refractory, Bottom Assy.	16M56	1	-	-
3.	Refractory, Rear	16M58	1	16M59	1
4.	Refractory, Side	16M60	2	16M61	2
5.	Refractory, Plug	16M62	1	16M63	1
6.	Refractory, Bottom Leg	16M64	3	16M64	4
7.	Grate/Bracekt Assy.	16M65	3	16M65	4
8.	Tube, Exchanger Upper	16M66	3	16M66	5
9.	Tube, Exchanger Lower	16M67	4	16M67	4
10.	Louver Assy., Upper/Lower	16M68	2	16M69	2
11.	Louver, Filler	16M70	1	16M71	1
12.	Door Assy., LH	16M72	1	16M73	1
13.	Door Assy., RH	16M74	1	16M75	1
14.	Screen Panel Assy.	16M76	2	16M77	2
15.	Screen Rod	16M29	2	16M30	2
16.	Post, Handle	16M78	4	16M78	4
17.	Wood, Handle	16M79	2	16M79	2



NOTE: DIAGRAMS & ILLUSTRATIONS NOT TO SCALE.