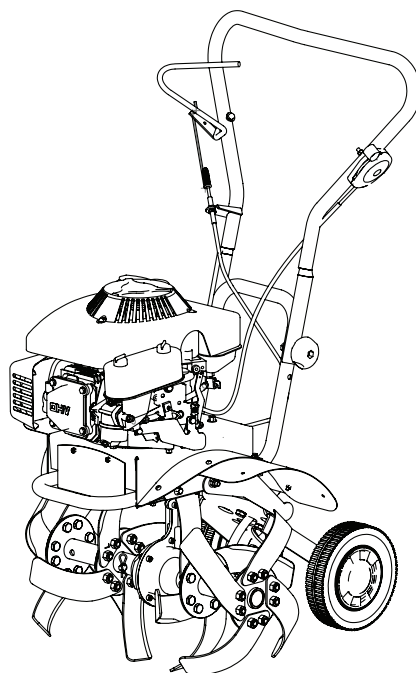


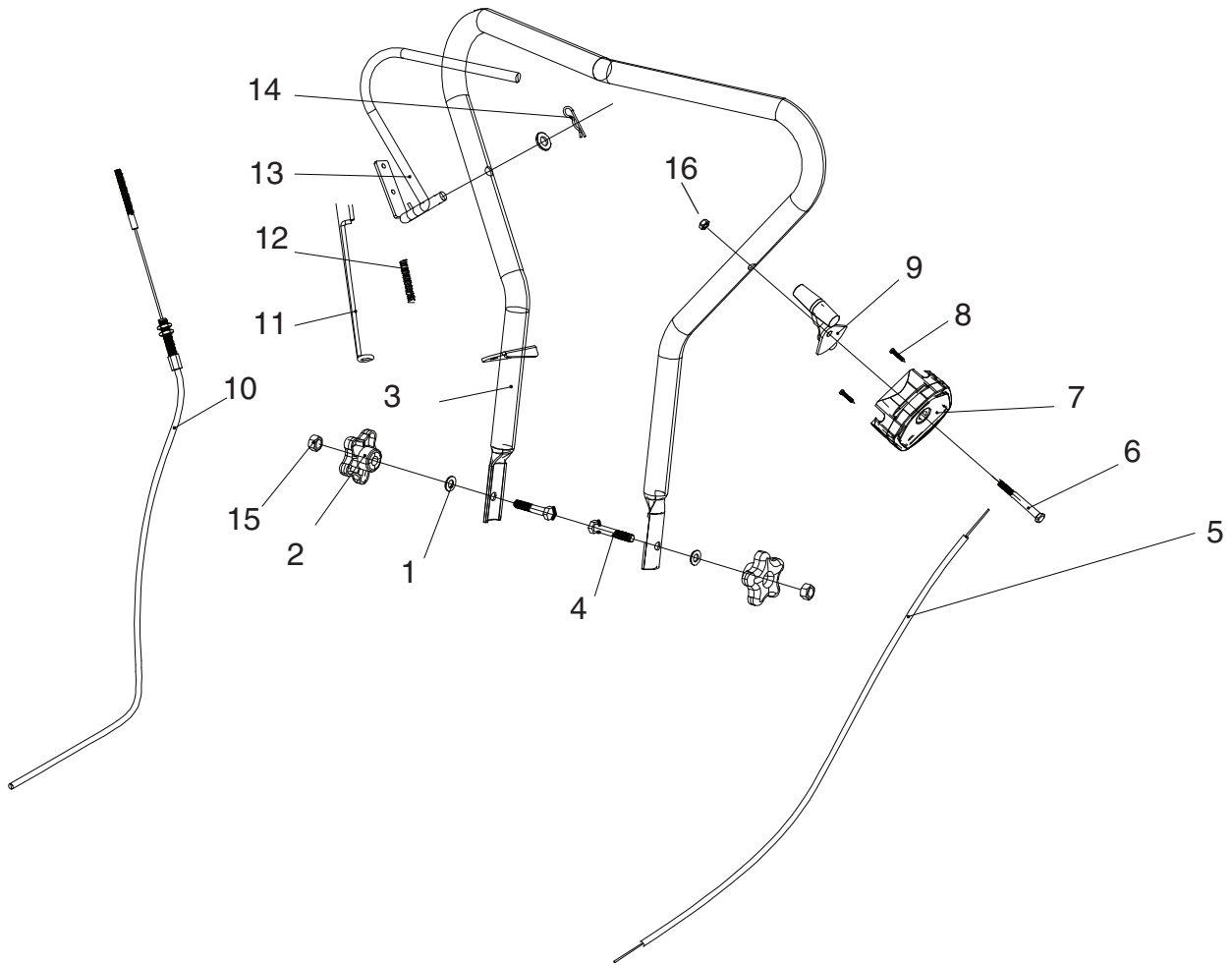
Earthquake[®]

OPERATING INSTRUCTIONS & PARTS EXPLOSIONS FRONT TINE ROTOTILLERS



Model 3310V

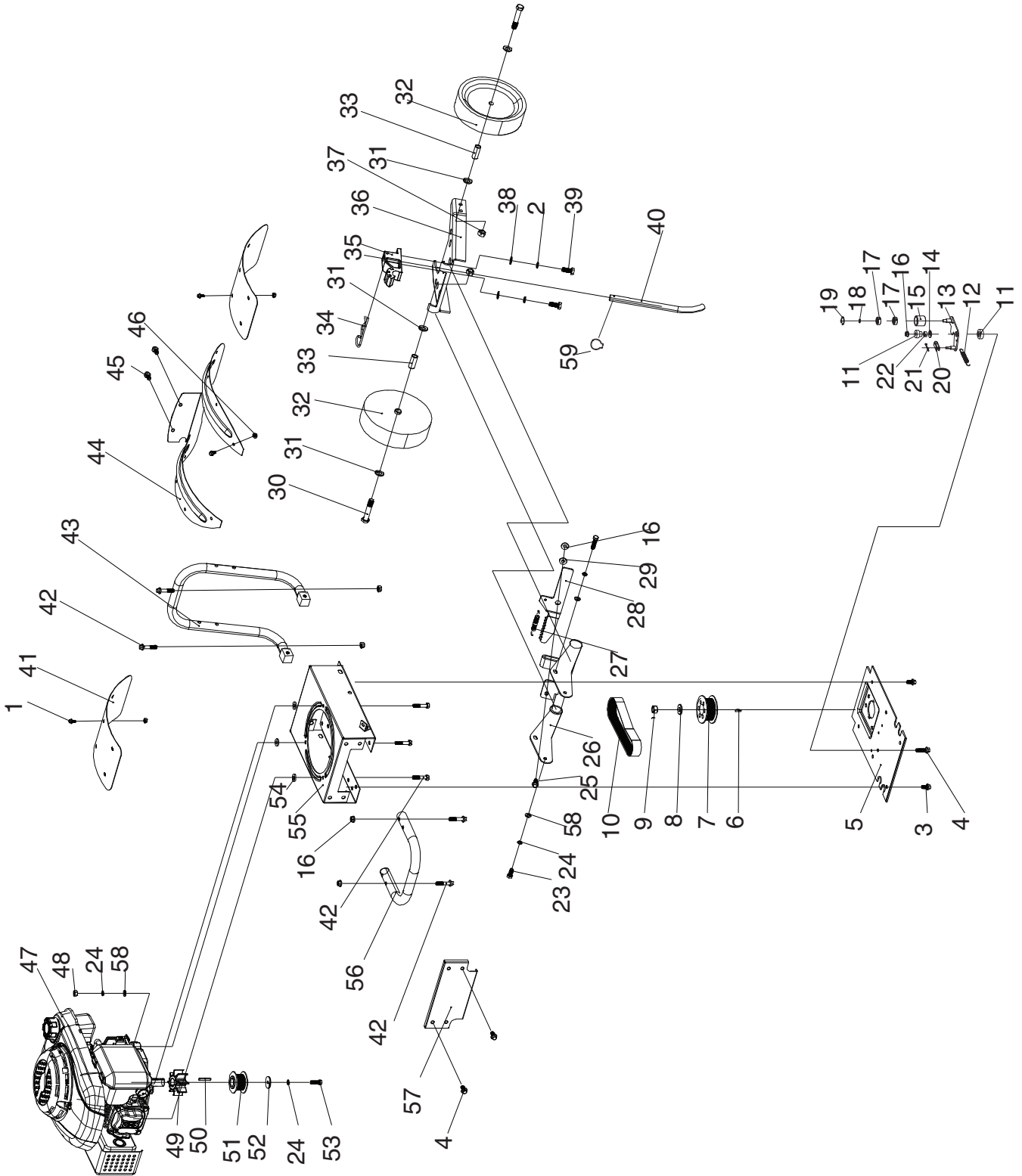
3310V HANDLEBAR PARTS



REF. NO.	PART #	DESCRIPTION	QTY.
1	331039	FLAT WASHER 8	2
2	331047	HANDLE KNOB	2
3	331046	HANDLE ASSEMBLY	1
4	331099	SCREW, M8X55	2
5	331088	THROTTLE CABLE ASSEMBLY	1
6	331059	OUTER HEXAGON BOLT M6X60	1
7	331090	THROTTLE SWITCH BOX	1

REF. NO.	PART #	DESCRIPTION	QTY.
8	331075	SCREW M3X20	2
9	331089	THROTTLE HANDLEBAR ASSEMBLY	1
10	331018	CLUTCH CABLE ASSEMBLY	1
11	331020	CLUTCH LEVER	1
12	331081	SPRING	1
13	331019	CLUTCH HANDLEBAR ASSEMBLY	1
14	331005	B PIN, 2X37	1
15	331054	LOCKNUT M8	2
16	W1265V0913	NUT, M6 NYLOCK GRADE 8.8	1

3310V MOTOR MOUNT & HOOD PARTS

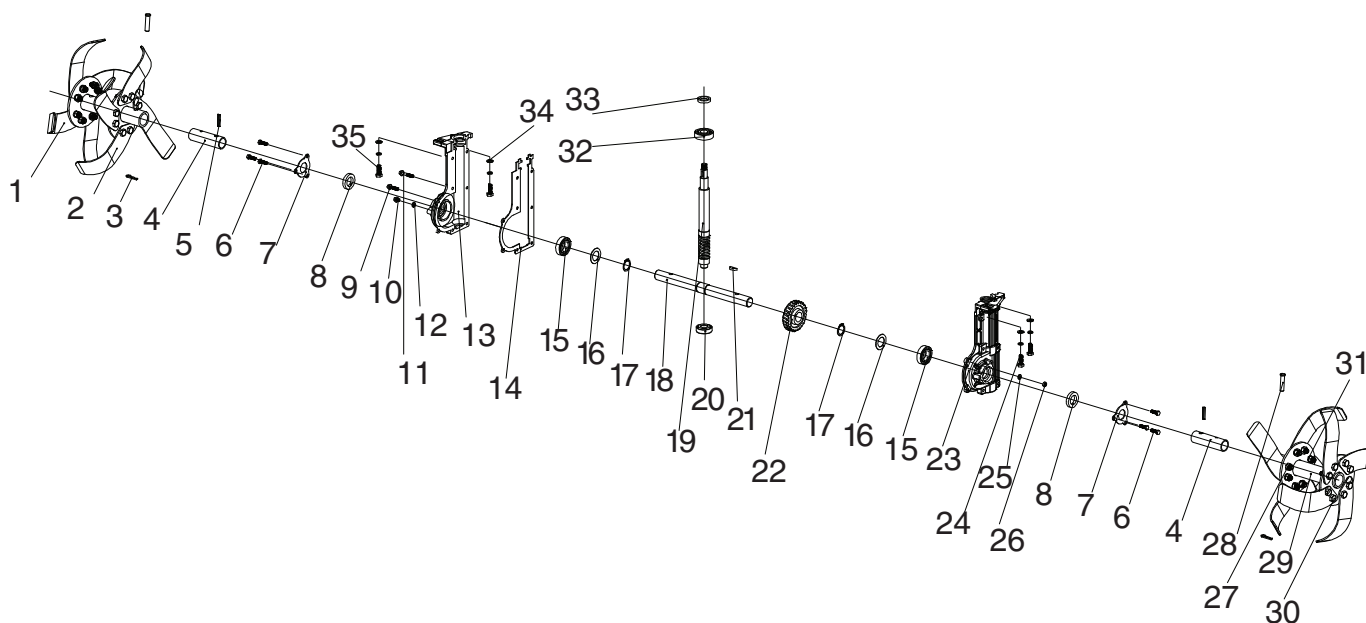


3310V MOTOR MOUNT & HOOD PARTS

REF. NO.	PART #	DESCRIPTION	QTY.
1	331062	OUTER HEX FLANGE BOLT M6X12	12
2	331083	SPRING WASHER 10	34
3	331066	OUTER HEX FLANGE BOLT M8X18	10
4	331069	OUTER HEX FLANGE BOLT M8X50	1
5	331027	ENGINE SEAT ASSEMBLY	1
6	331077	SEMICIRC KEY 4X6.5X16	1
7	331010	BIG BELT WHEEL	1
8	331037	FLAT WASHER 12X28X3	1
9	331052	LOCKNUT M12	1
10	331008	BELT 10PD457	1
11	331086	TENSION SHAFT BUSHING	2
12	331026	DRAFT SPRING	1
13	331017	CLUTCH ARM ASSEMBLY	1
14	331041	FLAT WASHER 8X22X2	1
15	331087	TENSION WHEEL	1
16	331054	LOCKNUT M8	8
17	331024	DEEP GROOVE BALL BEARING 628	2
18	331016	CIRCLIP 8	1
19	331014	CIRCLIP 24	1
20	331013	CABLE CLIP	1
21	331091	UNCORK PIN	1
22	331009	BELT BLOCK BUSHING	1
23	331060	OUTER HEX BOLT M8X20	2
24	331084	SPRING WASHER 8	12
25	331067	OUTER HEX FLANGE BOLT M8X22	1
26	331032	FIXED SEAT	1
27	331026	DRAFT SPRING	1
28	331001	ADJUSTABLE PLATE	1
29	331003	ADJUSTABLE SHAFT BUSHING	1

REF. NO.	PART #	DESCRIPTION	QTY.
30	331094	WHEEL BOLT	2
31	331036	FLAT WASHER 10X22X2	4
32	331093	WHEEL	2
33	331096	WHEEL SHAFT BUSHING	2
34	331007	B PIN 4X95	1
35	331002	ADJUSTABLE SEAT	1
36	331095	WHEEL SEAT	1
37	331051	LOCKNUT M10	2
38	331035	FLAT WASHER 10	2
39	331058	OUTER HEX BOLT M10X25	2
40	331025	DEPTH REGULATOR	1
41	331029	EXTENDED PLATE	2
42	331068	OUTER HEX FLANGE BOLT M8X40	9
43	331045	HANDLE ARM ASSEMBLY	1
44	331031	FENDER	1
45	331065	OUTER HEX FLANGE BOLT M8X16	2
46	331033	FLANGE LOCKNUT	8
47	31321	GASOLINE ENGINE	1
48	331070	OUTER HEX NUT M8	3
49	331030	FAN	1
50	331034	FLAT KEY	1
51	331080	SMALL BELT WHEEL	1
52	331040	FLAT WASHER 8X32X3	1
53	331012	BOLT, HEX 3/8X1	1
54	331048	HEAT INSULATION PLATE	3
55	331028	ENGINE SEAT COVER ASSEMBLY	1
56	331085	STEEL HANDLE	1
57	331043	FRONT COVER BOARD	1
58	331039	FLAT WASHER 8	15
59	3310103	RING CLIP	1

TINE & TRANSMISSION PARTS



REF. NO.	PART #	DESCRIPTION	QTY.
1	331049	LEFT BLADE	8
2	331073	RIGHT BLADE	8
3	311006	B PIN 2X46	2
4	311072	OUTPUT SHAFT BUSHING	2
5	331082	SPRING PIN 6X30	2
6	331062	OUTER HEX FLANGE BOLT M6X12	12
7	331055	OIL SEAL CAP	2
8	3310105	FRAMEWORK OIL SEAL 25X40X7	2
9	331063	OUTER HEX FLANGE BOLT M6X25	5
10	3310100	OUTER HEX FLANGE BOLT M10X1X14	2
11	331064	OUTER HEX FLANGE BOLT M6X35	4
12	331092	WASHER ASSEMBLY 10	2
13	331050	LEFT CASE	1
14	331044	GASKET	1
15	331022	DEEP GROOVE BALL BEARING 6005	2
16	331004	ADJUSTABLE WASHER	2
17	331015	CIRCLIP 25	2

REF. NO.	PART #	DESCRIPTION	QTY.
18	331071	OUTPUT SHAFT	1
19	331097	WORM	1
20	331021	CONE NEEDLE BEARING 30203	1
21	331078	SEMICIRCULAR KEY 5X9X22	2
22	331098	WORM WHEEL	1
23	331074	RIGHT CASE	1
24	331061	OUTER HEXAGON BOLT M8X25	3
25	331038	FLAT WASHER 6	9
26	331053	LOCKNUT M6	9
27	331056	OUTER HEXAGON BOLT M10X1	32
28	331079	SHAFT PIN 10X45	2
29	331011	BLADE SHAFT ASSEMBLY	2
30	331057	OUTER HEX BOLT M10X1X25	32
31	331083	SPRING WASHER 10	34
32	331023	DEEP GROOVE BALL BEARING 6204	1
33	331042	FRAMEWORK OIL SEAL 20X32X6	1
34	331039	FLAT WASHER 8	4
35	3310104	OUTER HEXAGON BOLT M8X80	1