

OPERATION AND PARTS MANUAL



GLOBUG MODEL GB2000 LIGHT TOWER MOUNT TYPE BALLOON LIGHT

Revision #4 (10/07/19)

THIS MANUAL MUST ACCOMPANY THE EQUIPMENT AT ALL TIMES.

TABLE OF CONTENTS

GB2000 Balloon Light

Proposition 65 Warning	2
Table of Contents.....	3
Safety Information	4–11
Specifications	12
Dimensions.....	13
Footcandle Plot.....	14
General Information.....	15
Type 1 Components (S/N G1900118 and Below).....	16
Type 2 Components (S/N G1900119 and Above)	17
Type 1 Setup (S/N G1900118 and Below).....	18–20
Type 2 Setup (S/N G1900119 and Above)	21–25
Lamp Lighting Options.....	26–31
Operation.....	32–33
Maintenance	34–36
Wiring Diagram.....	37
Explanation of Code in Remarks Column.....	38
Suggested Spare Parts	39

Component Drawings

Electrical Assembly	40–43
Bracket and J-Box Assembly (S/N G1900118 and Below).....	44–45
Bracket and J-Box Assembly (S/N G1900119 and Above)	46–47

SUGGESTED SPARE PARTS

GB2000 BALLOON LIGHT

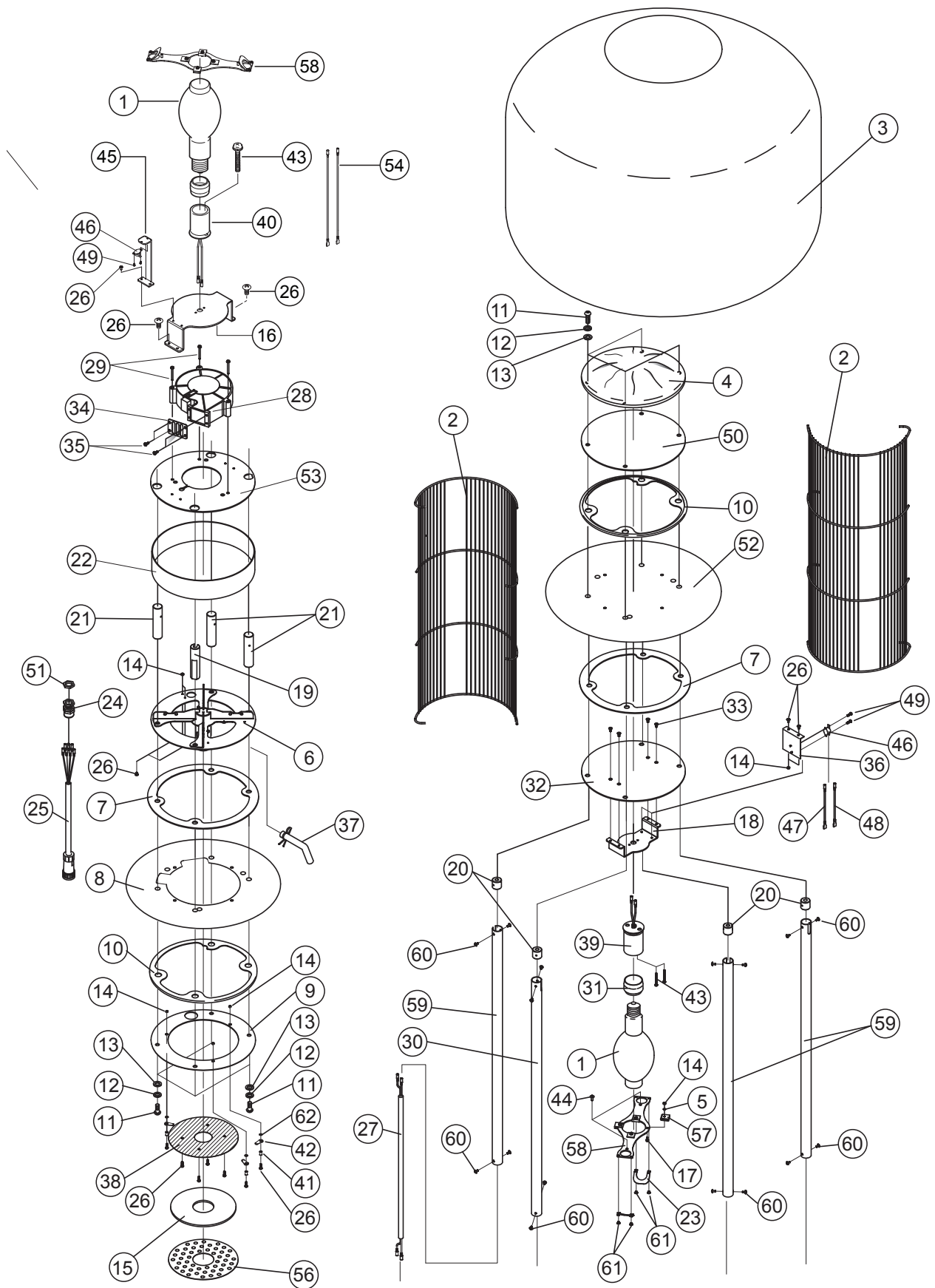
1 to 3 units

Qty.	P/N	Description
2.....	E000080700	LAMP
2.....	A100085100	BALLOON CLOTH CP
3.....	A400038300	FILTER

NOTICE

Part numbers on this Suggested Spare Parts list may supersede/replace the part numbers shown in the following parts lists.

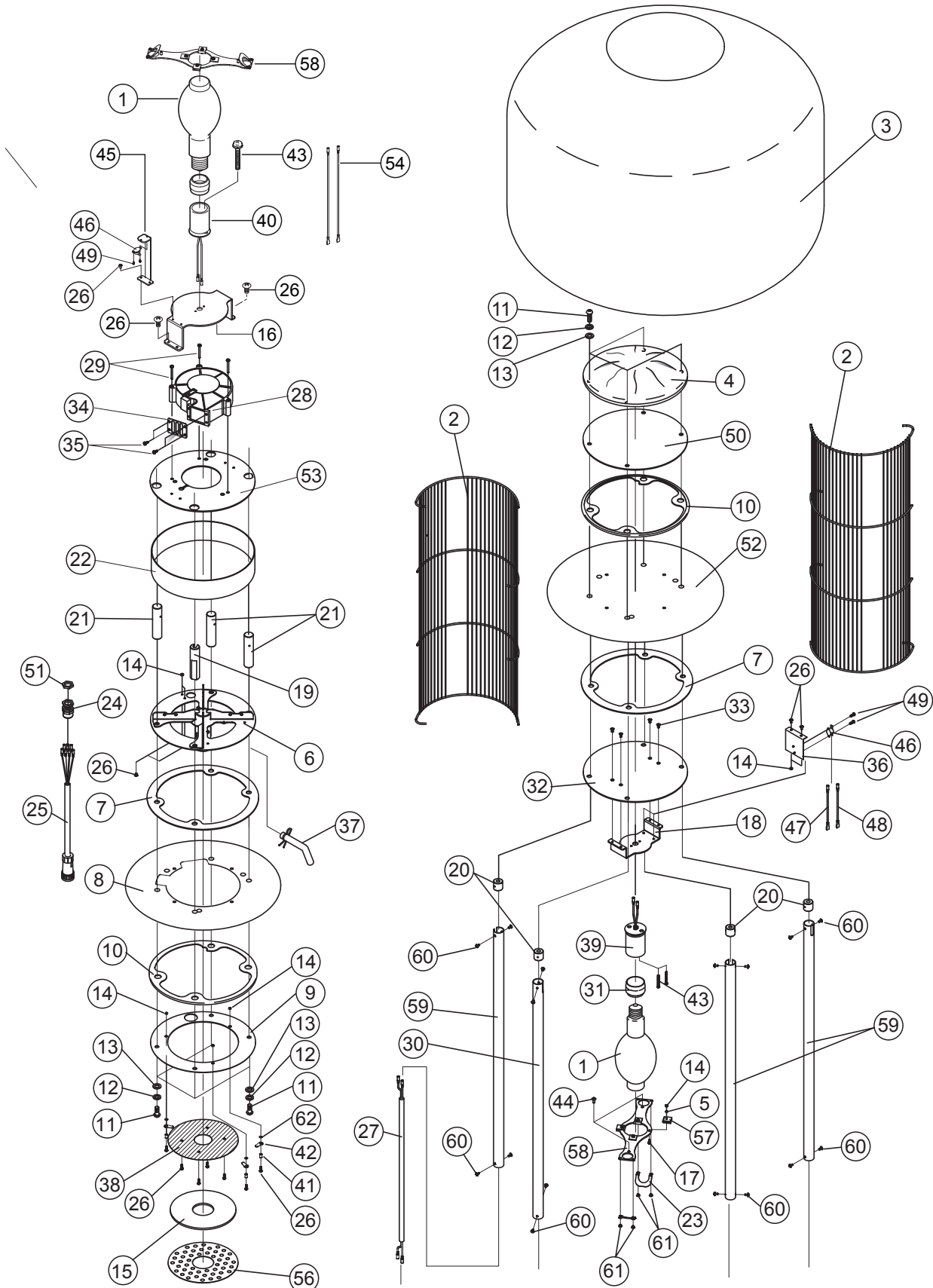
ELECTRICAL ASSY.



ELECTRICAL ASSY.

<u>NO.</u>	<u>PART NO.</u>	<u>PART NAME</u>	<u>QTY.</u>	<u>REMARKS</u>
1	E000080700	LAMP	2	
2	A100079700	LAMP GUARD	2	
3	A100085100	BALLOON	1	
4	A100079600	BALLOON COVER CP	1	
5	GB0043104000	WASHER (M4)	8	
6	A200075502	FLANGE	1	
7	2204500131	SEAL (NORMAL)	2	
8	1800001100	SHEET (BOTTOM)	1	
9	A200076101	PLATE (BOTTOM)	1	
10	2204500230	SEAL (PACKING)	2	
11	0014710035	BUTTON BOLT (M10x35)	8	
12	0043210000	SPRING WASHER (M10)	8	
13	0043110000	WASHER (M10)	8	
14	0033104000	NUT(M4)	15	
15	A400038301	FILTER (200)	1	
16	A200075301	PLATE (LAMP) 2	1	
17	0023304012	SCREW & WASHER (M4x12)	8	
18	A300211700	PLATE (LAMP) 3.....	1.....	S/N G11900118 & BELOW
18	A300211701	PLATE (LAMP) 3.....	1.....	S/N G11900119 & ABOVE
19	A400240602	POLE JOINT 1	1	
20	A400240701	POLE JOINT 2	4	
21	A400243501	POLE JOINT 3	3	
22	A200075900	VESSEL	1	
23	A400240801	STOPPER	4	
24	E000098700	CABLE CLAMP	1	
25	A300215000	CABLE (BALLOON) 1 CP.....	1.....	INCLUDES TERMINAL
26	0024304008	SCREW TRUSS (M4x8)	17	
27	A300215100	CABLE (LAMP) 2 CP.....	1.....	INCLUDES TERMINAL
28	A300232800	FAN MOTOR ASSY 120V 60Hz.....	1.....	INCLUDES TERMINAL
29	0023305060	SCREW AND WASHER (M5x60)	3	
30	A300211400	MAIN POLE	1	
31	E000038200	CAP (RUBBER)	2	
32	A200076000	PLATE (LAMP) 1	1	
33	0023204010	COUNTERSUNK SCREW (M4x10)	4	
34	A400037400	GUARD (FAN)	1	
35	0023105008	SCREW (M5x8)	4	
36	A400248800	BRACKET (THERMO) CP	1	
37	E000099000	PIN	1	
38	A300211500	PLATE (GUARD)	1	
39	E000009601	SOCKET ASSY	1	
40	A300167500	SOCKET ASSY	1	
41	E000010301	SPACER (M4x4)	3	
42	A400030700	STOPPER (FILTER)	3	
43	0025304025	SCREW & WASHER (M4x25)	4	
44	0023405012	SCREW TRUSS (M5x12)	4	
45	A400236102	BRACKET (THERMO)	1	

ELECTRICAL ASSY. (CONTINUED)

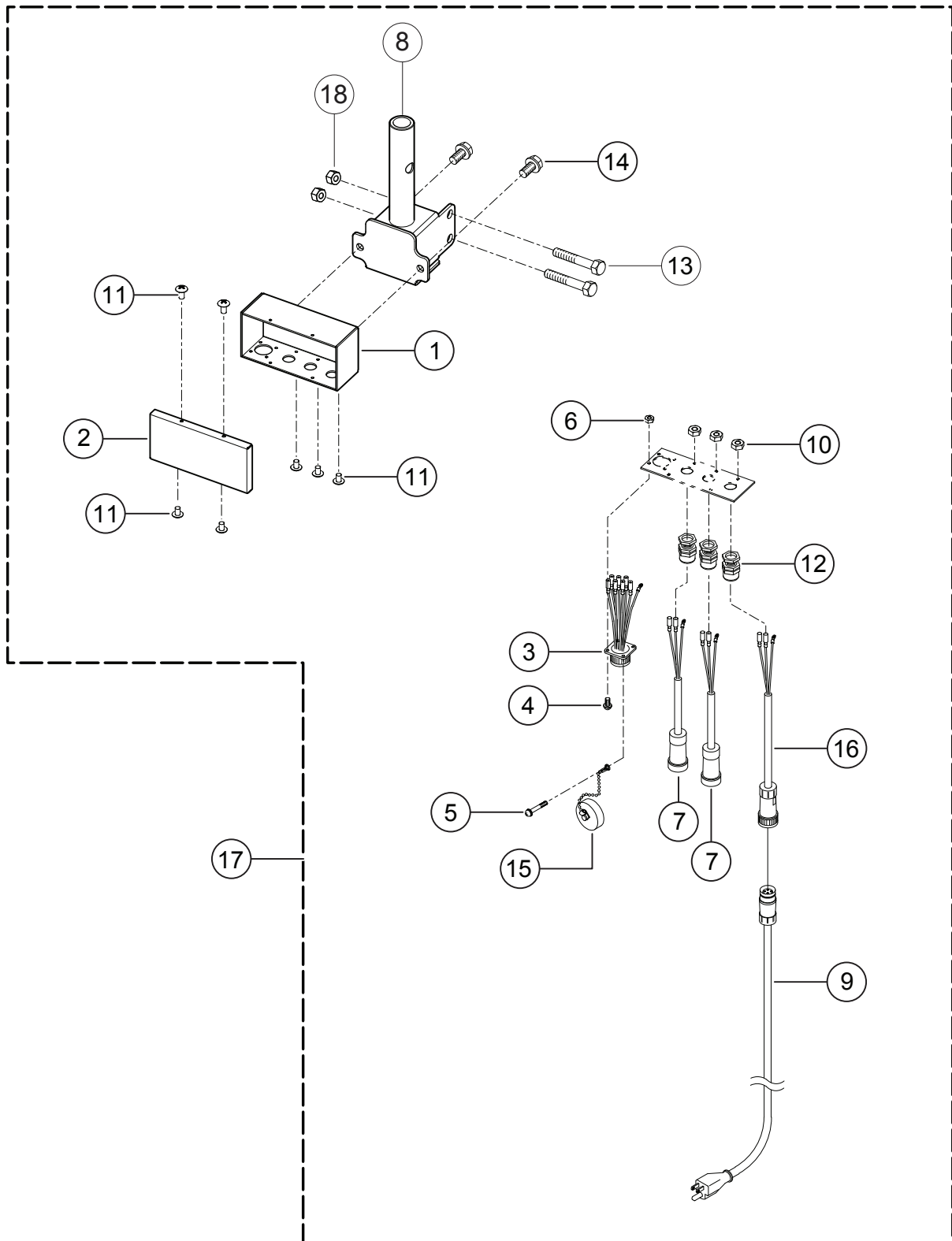


ELECTRICAL ASSY. (CONTINUED)

<u>NO.</u>	<u>PART NO.</u>	<u>PART NAME</u>	<u>QTY.</u>	<u>REMARKS</u>
46	1411200110	THERMOSTAT	2	
47	A400252301	CABLE (THERMO) 1 CP M	1	INCLUDES TERMINAL
48	A400252401	CABLE (THERMO) 2 CP F	1	INCLUDES TERMINAL
49	0023103006	SCREW (M3x6)	4	
50	2204220130	PLATE (CAP)	1	
51	E000103600	NUT SMM25	1	
52	1800001000	SHEET (TOP)	1	
53	A200075601	PLATE (FAN)	1	
54	A400244701	CABLE (THERMO) 3 CP M	1	INCLUDES TERMINAL
55	A400244801	CABLE (THERMO) 4 CP F	1	INCLUDES TERMINAL
56	A200018000	PLATE (AIR)	1	
57	A400199500	PACKING (LAMP)	8	
58	A300211600	LAMP HOLDER	2	
59	A300221900	MAIN POLE 2	3	S/N G11900118 & BELOW
59	A300221901	MAIN POLE 2	3	S/N G11900119 & ABOVE
60	0023405010	TRUSS SCREW M5x10	16	
61	0023404006	SCREW TRUSS (M4x6)	8	
62	E000009701	WAVE WASHER	3	

BRACKET AND J-BOX ASSY. (S/N G1900118 AND BELOW)

TYPE 1 ADAPTER

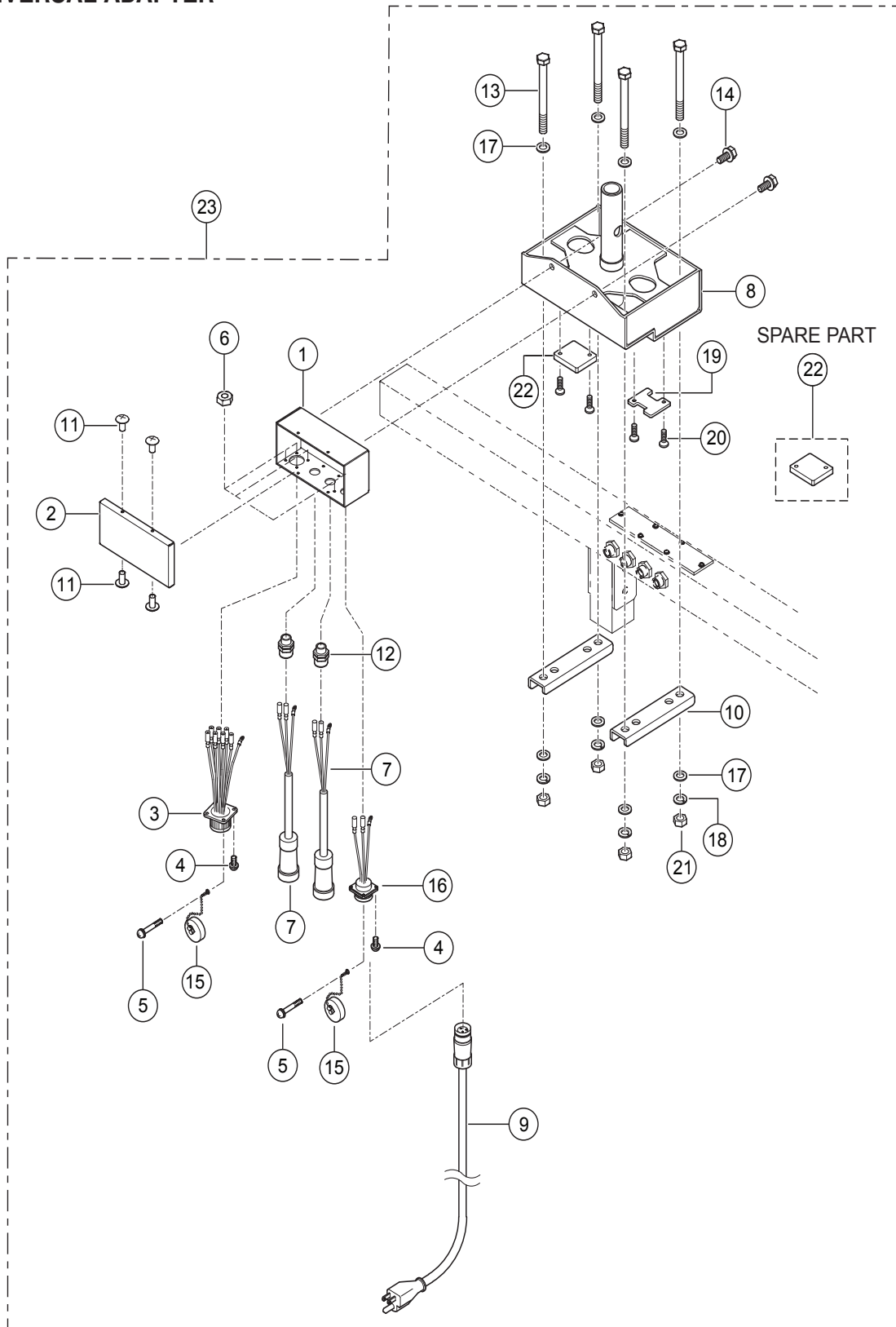


BRACKET AND J-BOX ASSY. (S/N G1900118 AND BELOW)

<u>NO.</u>	<u>PART NO.</u>	<u>PART NAME</u>	<u>QTY.</u>	<u>REMARKS</u>
1#	A200076200	JUNCTION BOX (RELAY)	1	
2#	A400241000	COVER (RELAY)	1	
3#	A300215200	CABLE (BALLOON) 2 CP	1	INCLUDES TERMINAL
4#	0023303008	SCREW AND WASHER (M3x8)	3	
5#	0023303012	SCREW AND WASHER (M3x12)	1	
6#	0033103000	NUT (M3)	1	
7#	A300215300	CABLE (LAMP) 3 CP	2	INCLUDES TERMINAL
8#	A200076300	ADAPTER CP	1	
9#	A300215500	AC PLUG CP	1	INCLUDES TERMINAL
10#	0033104000	NUT (M4)	3	
11#	0024304008	SCREW TRUSS (M4x8)	7	
12#	E000072600	CABLE CLAMP	3	
13#	E000099100	BOLT 1/213x3 1/2	2	
14#	0013510025	BOLT AND WASHER (M10x25)	2	
15#	E000099200	CAP	1	
16#	A300215400	CABLE (FAN) CP	1	INCLUDES TERMINAL
17	A000033600	BOX ASSY	1	INCLUDES ITEMS W/ #
18	10176	NUT, NYLOC 1/2-13	2	

BRACKET AND J-BOX ASSY. (S/N G1900119 AND ABOVE)

TYPE 2 UNIVERSAL ADAPTER



BRACKET AND J-BOX ASSY. (S/N G1900119 AND ABOVE)

<u>NO.</u>	<u>PART NO.</u>	<u>PART NAME</u>	<u>QTY.</u>	<u>REMARKS</u>
1#	A200084201	JUNCTION BOX (RELAY)	1	
2#	A400241000	COVER (RELAY)	1	
3#	A300215200	CABLE (BALLOON) 2 CP W/TERMINALS	1	
4#	0023303008	SCREW & WASHER M3 X 8	6	
5#	0023303012	SCREW & WASHER M3 X 12	2	
6#	0033103000	NUT M3	8	
7#	A300215300	CABLE (LAMP) 3 CP W/TERMINALS	2	
8#	A100088602	ADAPTER, BRACKET	1	
9#	A300255600	AC PLUG CP W/TERMINALS	1	
10#	A400288000	RETAINER	2	
11#	0024304008	SCREW TRUSS M4 X 8	6	
12#	E000072600	CABLE CLAMP	2	
13#	0013112130	BOLT M122 X 130	4	
14#	0013510025	BOLT & WASHER M10 X 25	2	
15#	E000099200	CAP	2	
16#	A300255700	CABLE (FAN) CP W/TERMINALS	1	
17#	0043112000	WASHER M12	8	
18#	0043212000	SPRING WASHER M12	4	
19#	A400287902	SPACER 1	1	
20#	0023205015	SCREW M5 X 15	4	
21#	0033112000	NUT M12	4	
22#	A400287801	SPACER 2.....	2.....	SPARE SPACER
23	A000039000	BRACKET ASSY., COMPLETE TYPE 2.....	1.....	INCLUDES ITEMS W/#