

OPERATION AND PARTS MANUAL



MODEL BPX GASOLINE BACKPACK VIBRATOR (HONDA GXH50UQXA GASOLINE ENGINE)

Revision #4 (05/27/21)



THIS MANUAL MUST ACCOMPANY THE EQUIPMENT AT ALL TIMES.

PN: 14454

TABLE OF CONTENTS

Multiquip BPX Gasoline Concrete Vibrator

Proposition 65 Warning	2
Silicosis/Respiratory Warnings	3
Table Of Contents	4
Parts Ordering Procedures.....	5
Safety Information	6-9
Specifications	10
Dimensions.....	11
General Information.....	12
Components	13-14
Set-Up	15-17
Inspection	18
Operation.....	19-24
Maintenance	25-28
Troubleshooting	29
Explanation Of Code In Remarks Column.....	30
Suggested Spare Parts	31

Component Drawings

Nameplate And Decals Assembly.....	32-33
Vibrator Assembly.....	34-35
Frame And Swivel Assembly	36-37
Engine Mounting Assembly	38-39
Engine Service Parts Assembly.....	40-41

NOTICE

Specifications and part numbers are subject to change without notice.

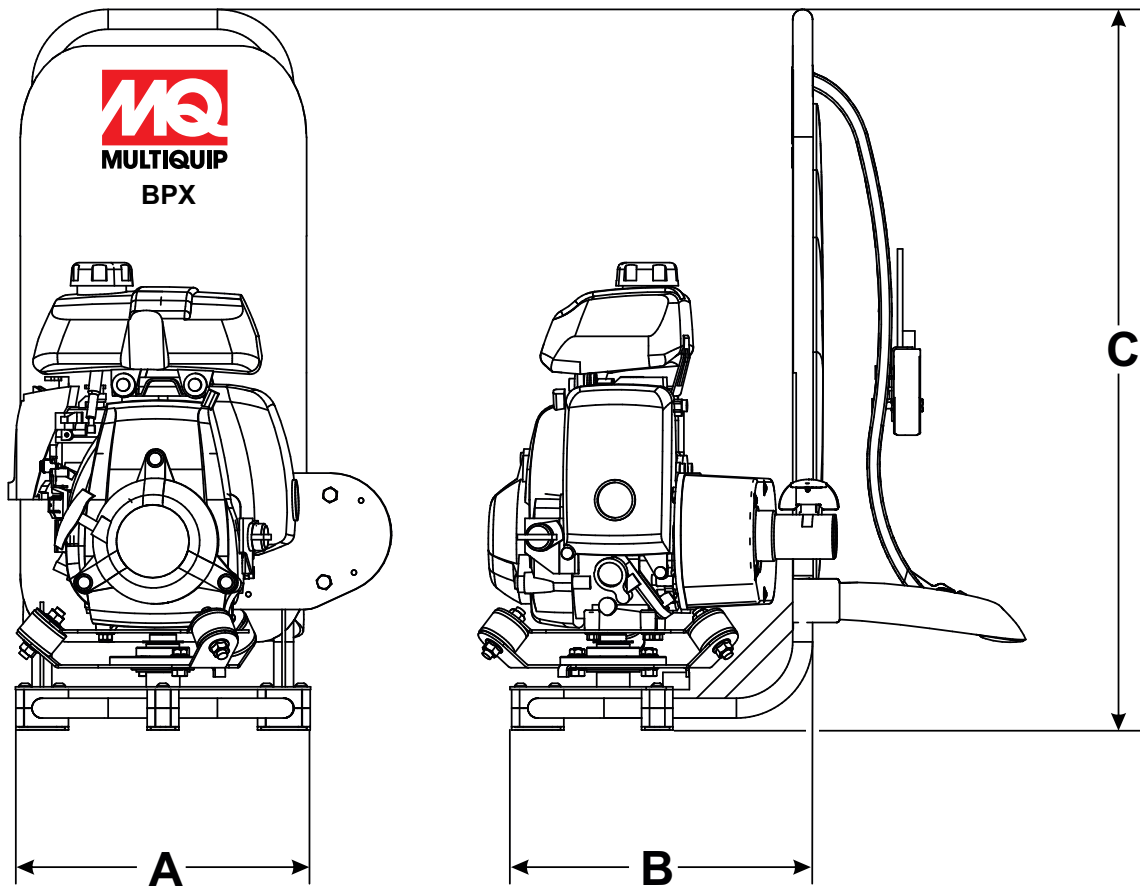


Figure 1. Vibrator Dimensions

Table 2. Vibrator Dimensions	
Reference Letter	Dimension in. (mm)
A	11.0 (280)
B	13.75 (349)
C	27.0 (686)

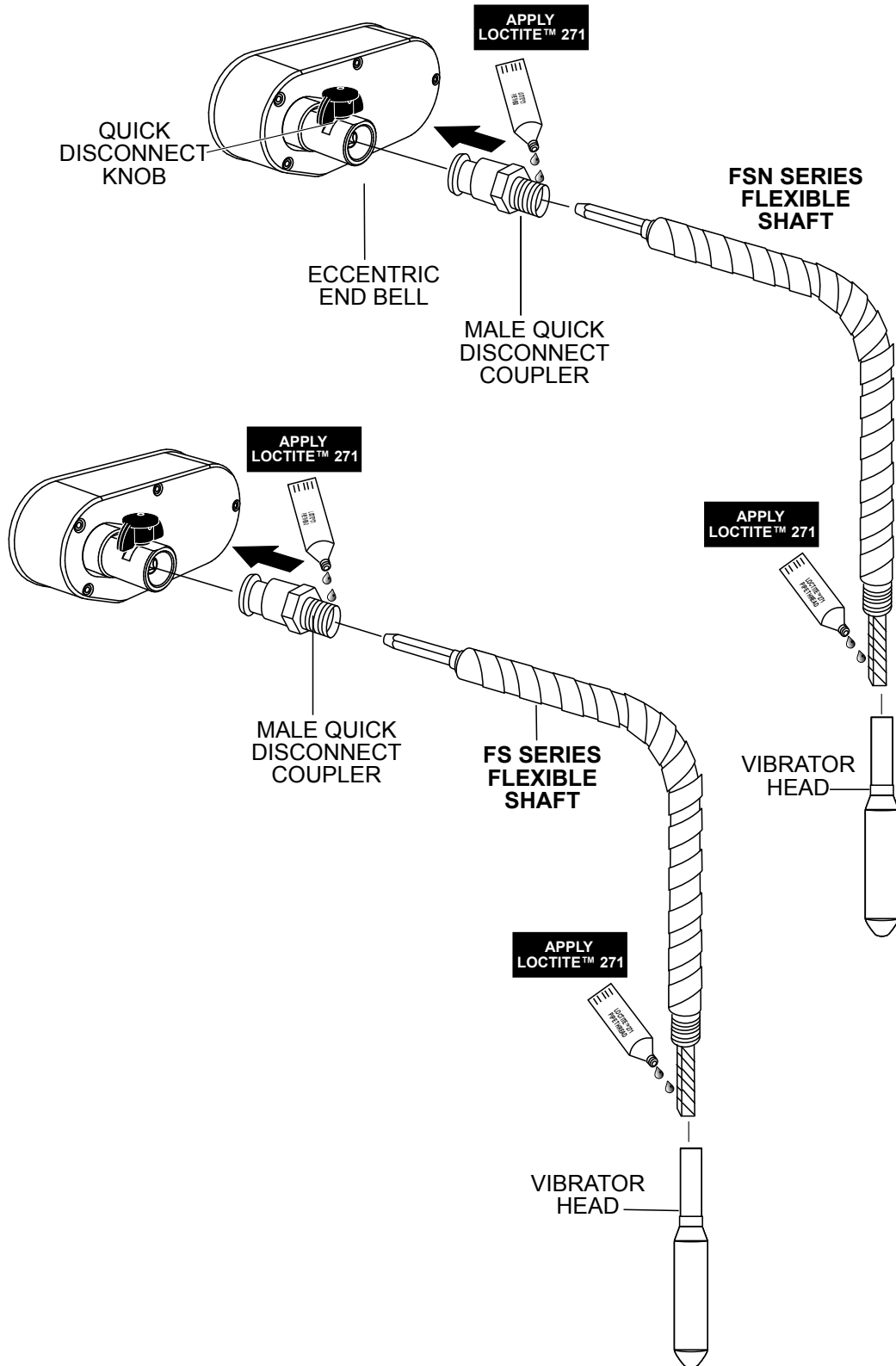


Figure 4. Flexible Head and Vibrator Head Connections

SUGGESTED SPARE PARTS

BPX GASOLINE BACKPACK VIBRATOR WITH HONDA GXH50UQXA ENGINE

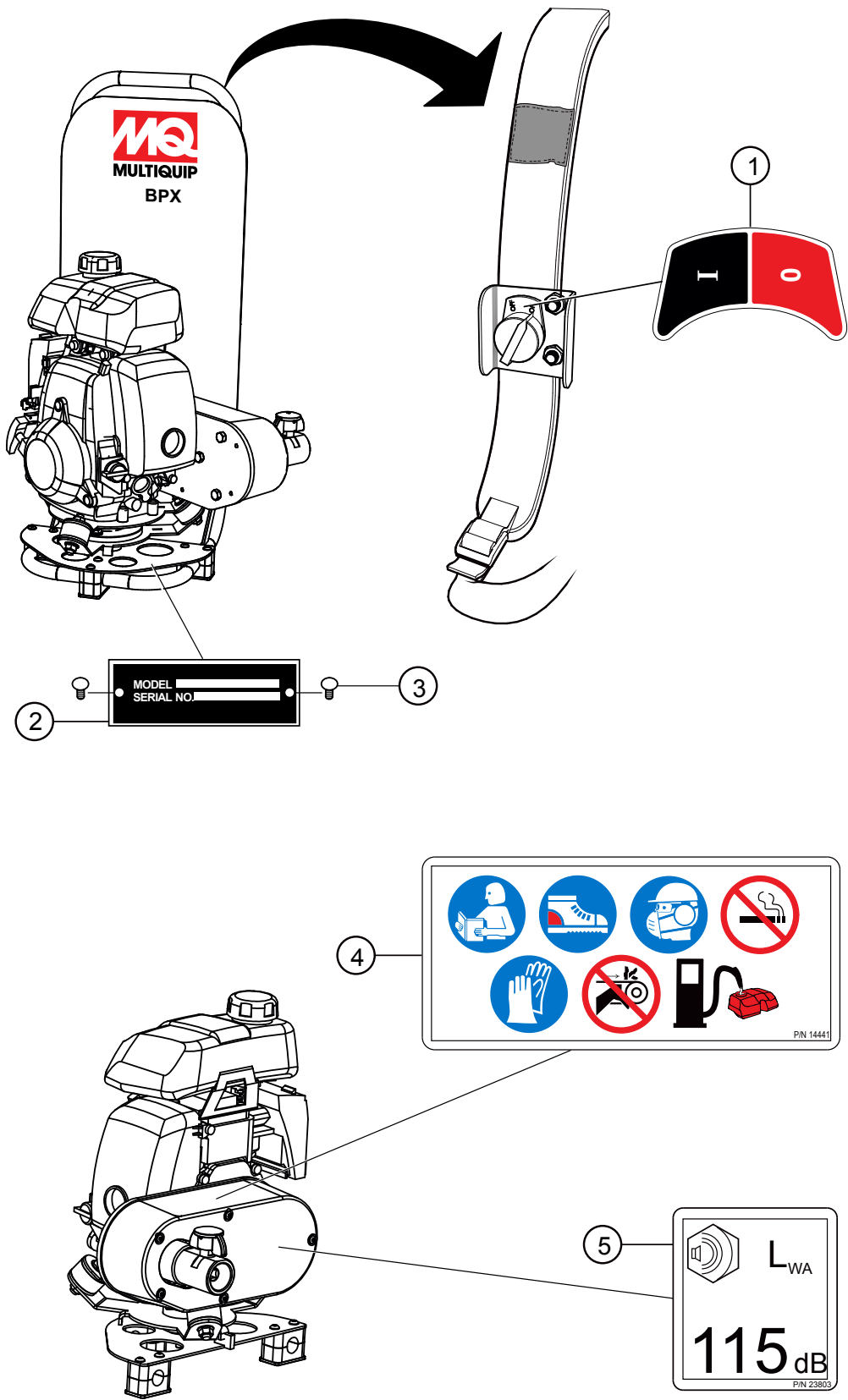
1 to 3 units

Qty.	P/N	Description
2.....	17211ZM7000	ELEMENT, AIR
3.....	9805655777.....	SPARK PLUG (NKG)
3.....	28462ZM70003	ROPE, STARTER
1.....	17620ZL8023	CAP, FUEL
3.....	14482.....	BELT, BACKPACK
1.....	28461ZM3003	KNOB, RECOIL STARTER
1.....	34150ZH7023.....	OIL ALERT UNIT
1.....	35480ZM7801	OIL LEVEL SWITCH

NOTICE

Part numbers on this Suggested Spare Parts list may supersede/replace the part numbers shown in the following parts lists.

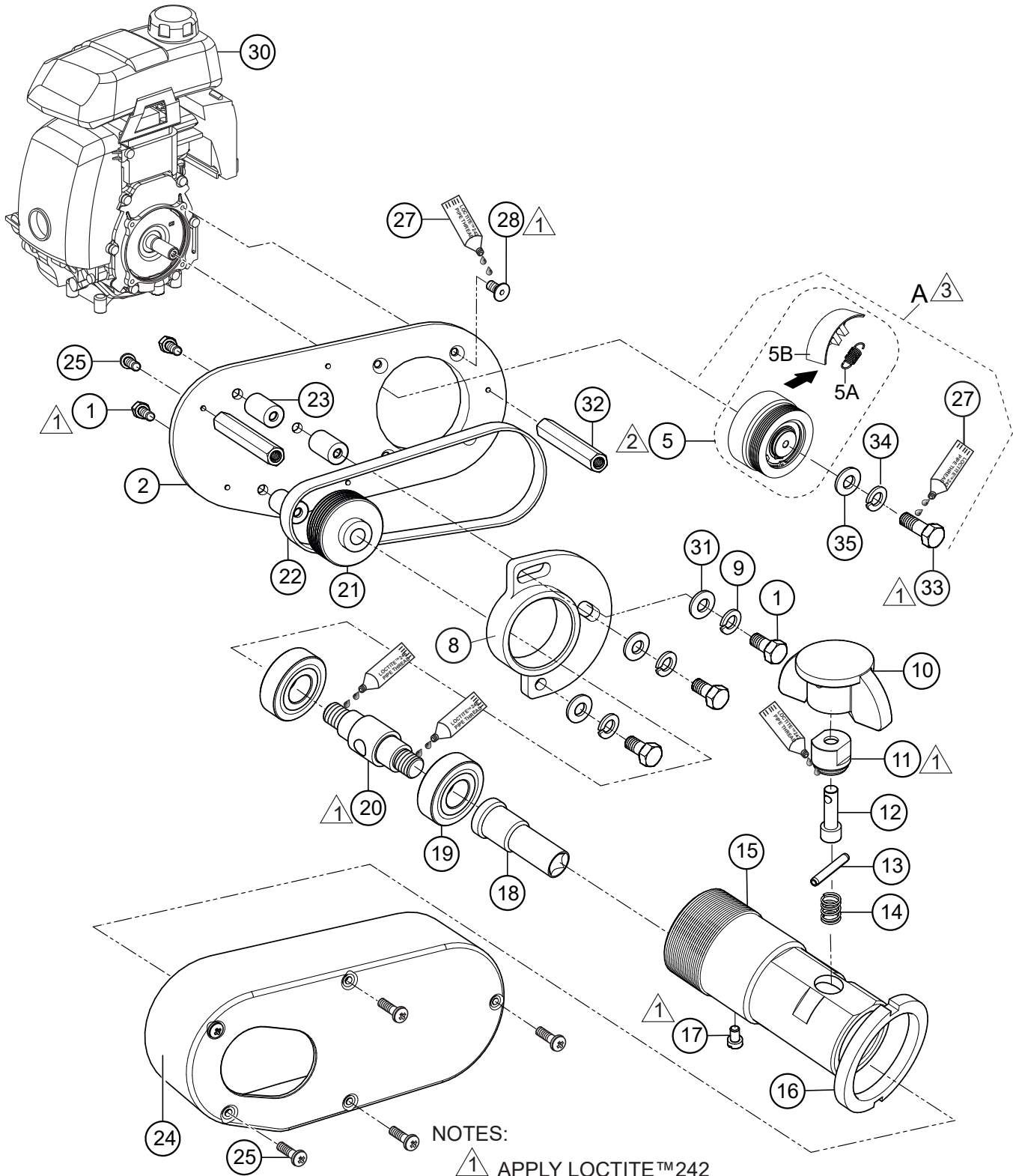
NAMEPLATE AND DECALS ASSY.



NAMEPLATE AND DECALS ASSY.

<u>NO.</u>	<u>PART NO.</u>	<u>PART NAME</u>	<u>QTY.</u>	<u>REMARKS</u>
1	14437	DECAL, ON/OFF SWITCH, BPX, .48" X .85"	1	
2		SERIAL PLATE, NON CE	1	CONTACTMQPARTS
3	4014	SCREW, 2-3/16" P-K	2	
4	14441	DECAL, READ, PROTECTION, SMOKING, GUARD, GAS	1	
5	23803	DECAL, GUARANTEED SOUND, 115 DB	1	

VIBRATOR ASSY.



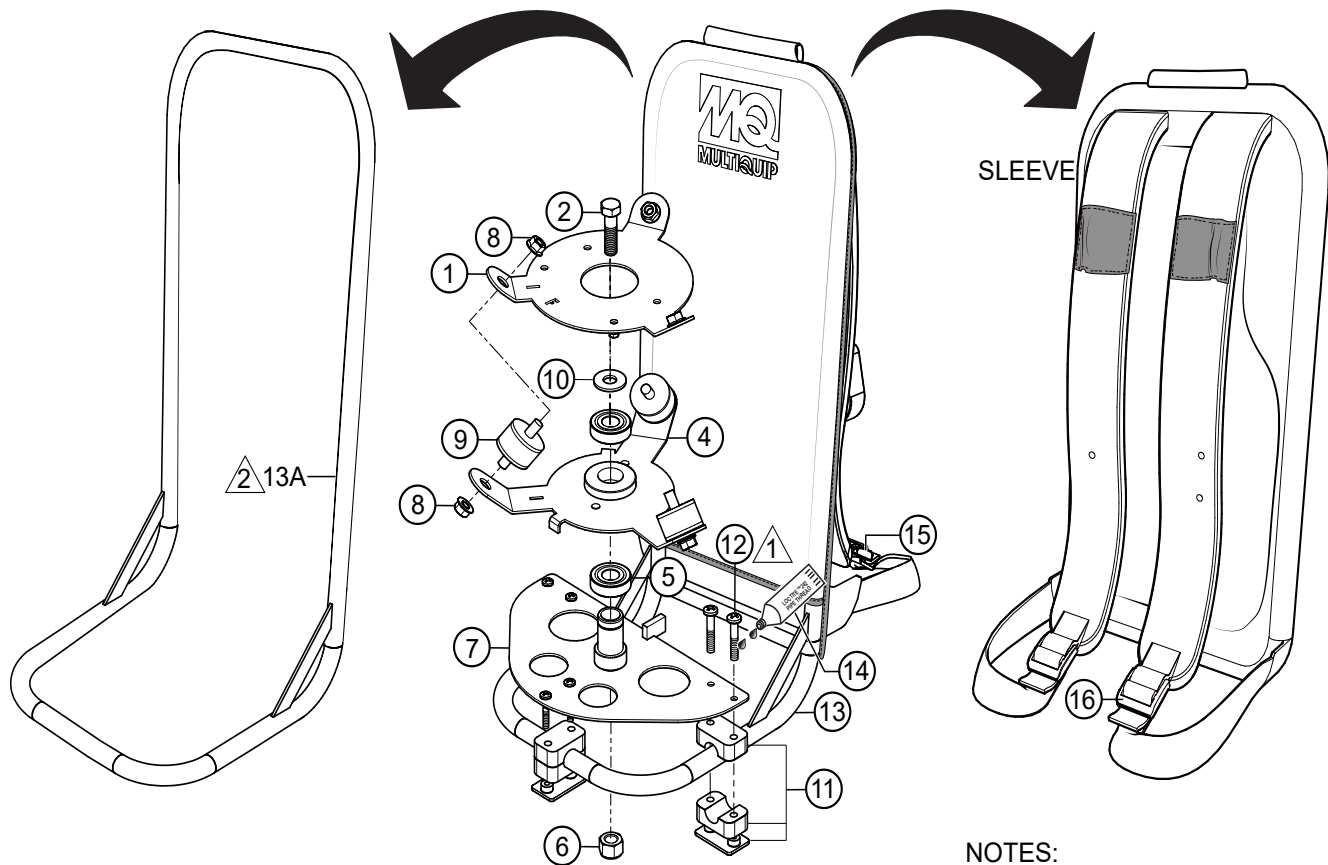
NOTES:

- 1 APPLY LOCTITE™242
- 2 NORAM CLUTCH REPLACES HILLIARD AND OZTEC CLUTCHES. ORDER SERVICE KIT 14530-SK FOR REPLACEMENT.
- 3 ALSO INCLUDES ITEMS 1, 2, 9, 23, 24, 25, 27, 31 AND 32.

VIBRATOR ASSY.

<u>NO.</u>	<u>PART NO.</u>	<u>PART NAME</u>	<u>QTY.</u>	<u>REMARKS</u>
A	14530-SK	SERVICE KIT, VIBRATORY CLUTCH.....	6.....	INCLUDES ITEMS W/#
1#	0655	SCREW, HHC 5/16"-18 X 5/8"	6	
2#	14470	PLATE, CLUTCH MOUNTING	1	
5	14487	CLUTCH, CENTRIFUGAL, HILLIARD.....	1.....	S/N NB4801019~ND4801095 NLA, REPLACE W/ITEM A
5	ZT363A1	CLUTCH ASSY., 5/8" CENTRIF OZTEC	1.....	S/N NH4801107~NK4801191 NLA, REPLACE W/ITEM A
5#	14530	CLUTCH, CENTRIF 1.58MM BORE, NORAM ..	1.....	S/N MF4801223 AND ABOVE INCLUDES ITEMS W/%
5A%	14530-01	CLUTCH SPRING	1	
5B%	14530-02	CLUTCH SHOE	1	
8	14472	BRACKET, TENSIONING	1	
9#	0161 C	WASHER, LOCK 5/16" MED.	3	
10	50125-04	KNOB, PLASTIC QUICK DISCONNECT	1	
11	90004-07	HOUSING, SPRING	1	
12	7200-001	LOCK PIN, QUICK DISCONNECT	1	
13	07502-016	PIN, SLOTTED SPRING 5/32" X 1.00"	1	
14	59999-08	RETAINER SPRING, BACKPACK	1	
15	14473	COUPLING HOUSING	1	
16	14475	NUT, SPANNER, LOCKING, 2-20 X .25	1	
17	14469	SCREW, FHCSL 10-32 X .313, SS	1	
18	14478	COUPLING SHAFT, PULLEY	1	
19	14480	BEARING, BACKPACK SHAFT	2	
20	14477	SHAFT, CENTER PULLEY	1	
21	14479	PULLEY, BACKPACK DRIVEN	1	
22	14482	BELT, BACKPACK	1	
23#	14504	STANDOFF 5/16-18 X 1, 45 LG.	3	
24#	14462	GUARD, BELT BACKPACK	1	
25#	5065 B	SCREW, PHP 10-32 X 1/2"	10	
27#	1477	LOCTITE™242, BLUE, .5CC BOTTLE	1	
28	14489	SCREW, FHSC 1/4"-28 X 5/8"	4	
30	14432	ENGINE, HONDA GXH50UQXA	1	
31#	0300 B	WASHER, FLAT SAE 5/16"	3	
32#	14445	STAND OFF, 10-32 X 2.50 LG	5	
33#	06509-008	SCREW, HHC 1/4-28 X 1	1	
34#	0181 B	WASHER, LOCK 1/4" MED	1	
35#	0948	WASHER, FLAT SAE 1/4"	1	

FRAME AND SWIVEL ASSY.



NOTES:

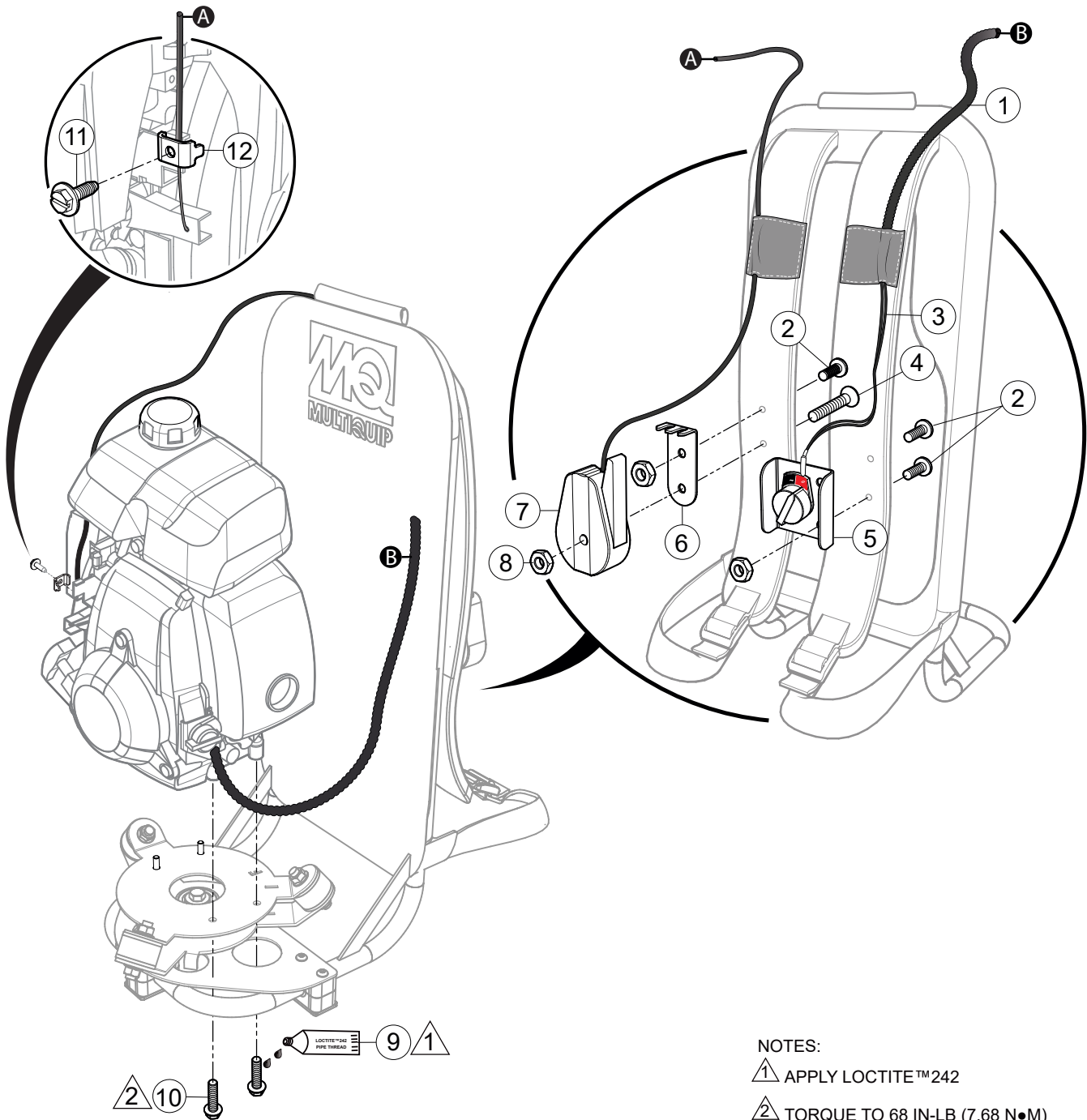
① APPLY LOCTITE™242.

② INCLUDED WITH ITEM 13.

FRAME AND SWIVEL ASSY.

<u>NO.</u>	<u>PART NO.</u>	<u>PART NAME</u>	<u>QTY.</u>	<u>REMARKS</u>
1	14439	PLATE, SWIVEL TOP	1	
2	8156	SCREW, HHC 3/8"-16 X 2-1/2"	1	
4	14438	PLATE, SWIVEL BASE	1	
5	14480	BEARING, BACKPACK SHAFT	2	
6	10133	NUT, NYLOC 3/8"-16	1	
7	14450	SWIVEL MOUNT W/A	1	
8	46272	NUT, FLANGED 3/8"-16	6	
9	14442	DAMPENER, VIBRATION	3	
10	4001	WASHER, FLAT USS 3/8" PLD.	1	
11	14443	CLAMP, FRAME 3/4"	3	
12	14467	SCREW, BHC 1/4"-20 X 1-1/2"	6	
13	14431	TUBE FRAME W/SLEEVE	1	INCLUDES ITEMS W/ SLEEVE CANNOT BE SOLD SEPARATELY
13A#	14431-01	TUBE FRAME W/O SLEEVE	1	
14	1477	LOCTITE™242, BLUE, .5CC BOTTLE	1	
15#	14498	BUCKLE, WAIST STRAP	1	
16#	14499	BUCKLE, CHEST STRAP	1	

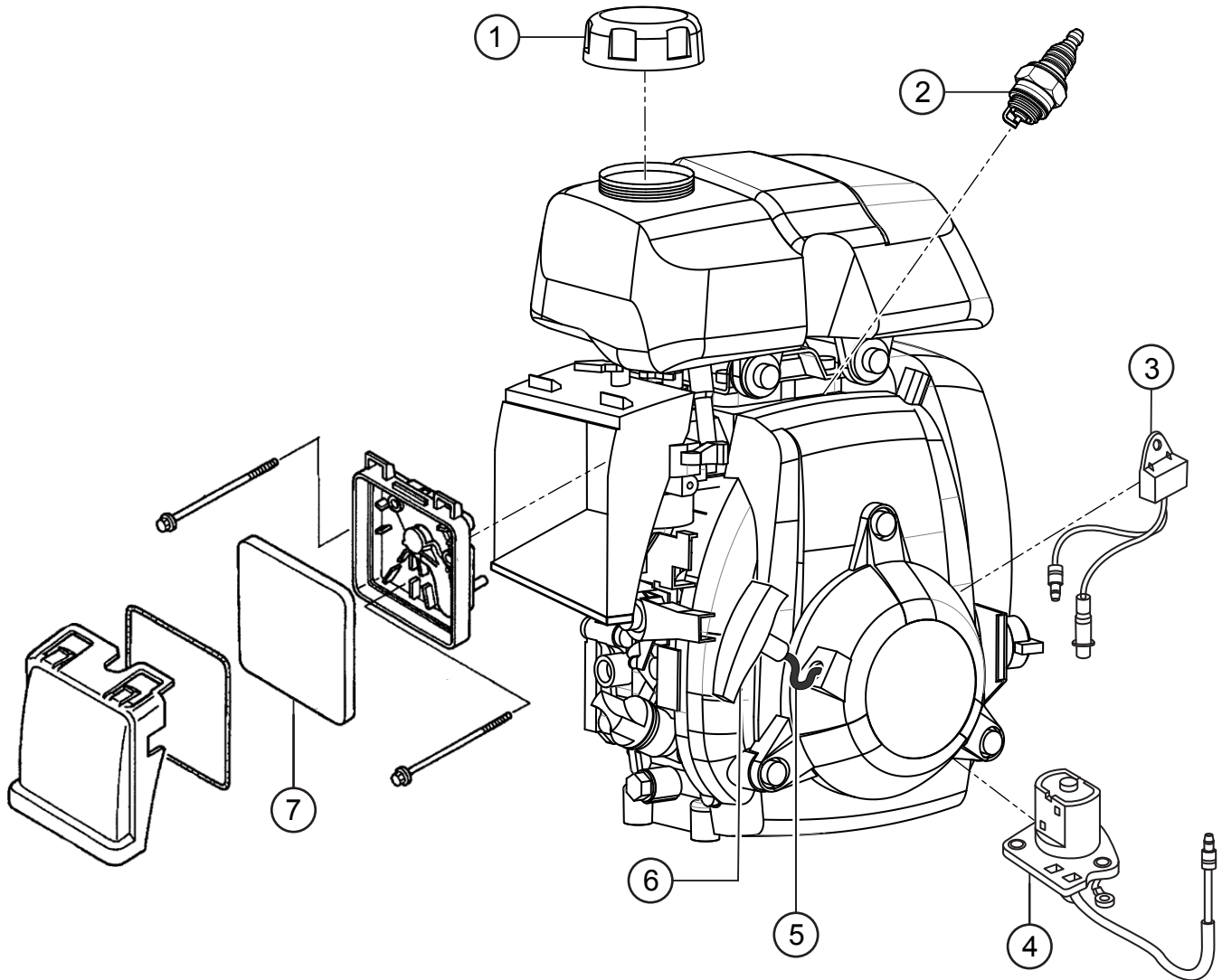
ENGINE MOUNTING ASSY.



ENGINE MOUNTING ASSY.

<u>NO.</u>	<u>PART NO.</u>	<u>PART NAME</u>	<u>QTY.</u>	<u>REMARKS</u>
1	60221	SPLIT LOOM, DIA.375, 4 FT.....	1.....	1PC = 1FT.
2	14489	SCREW, FHSC, 1/4"-28 X 5/8"	3	
3	14485	HARNESS, WIRING	1	
4	14495	SCREW, FHSC, 1/4"-28 X 1-1/2"	1	
5	14433	MOUNT, SWITCH, ON-OFF	1	
6	14440	BRACKET, THROTTLE MOUNT	1	
7	14434	THROTTLE, LEVER/CABLE PLASTIC	1	
8	19378	NUT, HEX JAM 1/4"-28	4	
9	1477	LOCTITE™242, BLUE, .5CC BOTTLE	1	
10	42542	SCREW HFS, ZP, M6-1.0 X 16	4	
11	34308	SCREW, HHF SLOT, #10-32 X 5/8"	1	
12	16576891000	HOLDER, CABLE	1	

ENGINE SERVICE PARTS ASSY.



ENGINE SERVICE PARTS ASSY.

<u>NO.</u>	<u>PART NO.</u>	<u>PART NAME</u>	<u>QTY.</u>	<u>REMARKS</u>
1	17620ZL8023	CAP, FUEL	1	
2	9805655777	SPARK PLUG (NKG)	1	
3	34150ZH7023	OIL ALERT UNIT	1	
4	35480ZM7801	OIL LEVEL SWITCH ASSY.	1	
5	28462ZM70003	ROPE, STARTER	1	
6	28461ZM3003	KNOB, RECOIL STARTER	1	
7	17211ZM7000	ELEMENT, AIR	1	