

OPERATION AND PARTS MANUAL



GloBug

MODEL GB43LED

LIGHTING SYSTEM

(FOR USE WITH MQ SERIES GENERATORS)

Revision #5 (04/05/22)

THIS MANUAL MUST ACCOMPANY THE EQUIPMENT AT ALL TIMES.

TABLE OF CONTENTS

GB43LED Lighting System

Proposition 65 Warning	2
Table of Contents.....	4
Safety Information	5–9
Specifications	10
Dimensions.....	11
Footcandle Plot.....	12
General Information.....	13
Components	14–15
Setup	16–18
Operation.....	19
Storage	20–21
Maintenance	22–23
Troubleshooting	24–25
Wiring Diagram.....	26
Explanation of Code in Remarks Column.....	28
Suggested Spare Parts	29

Component Drawings

Nameplate and Decals	30–31
Base Plate Assembly.....	32–33
LED Lamp Assembly	34–35
Front Cover Assembly	36–37
Cable and Switch Assembly	38–39
Main Mast Assembly	40–41
T-Handle Assembly.....	42–43
Steering Assembly.....	44–45
Outrigger Assembly	46–47
Mast Adapter Assembly.....	48–49
Mast Section Assembly	50–51

NOTICE

Specifications and part numbers are subject to change without notice.

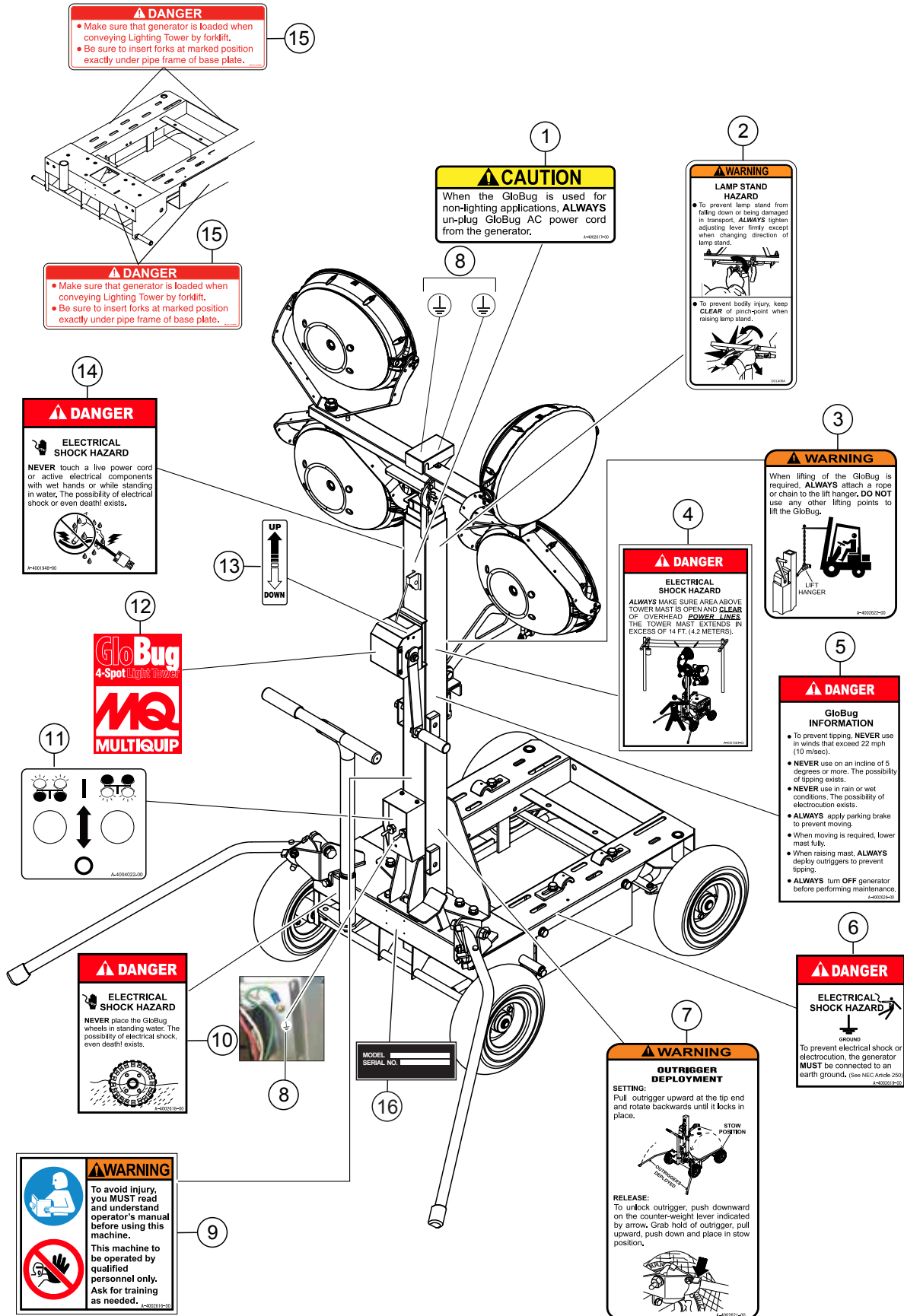
SUGGESTED SPARE PARTS

GB43LED GLOBUG

1 to 3 units

Qty.	P/N	Description
3.....	A000061900	LED 300W LIGHTING UNIT(R)
3.....	A000062000	LED 300W LIGHTING UNIT(L)
1.....	A000060600	COVER

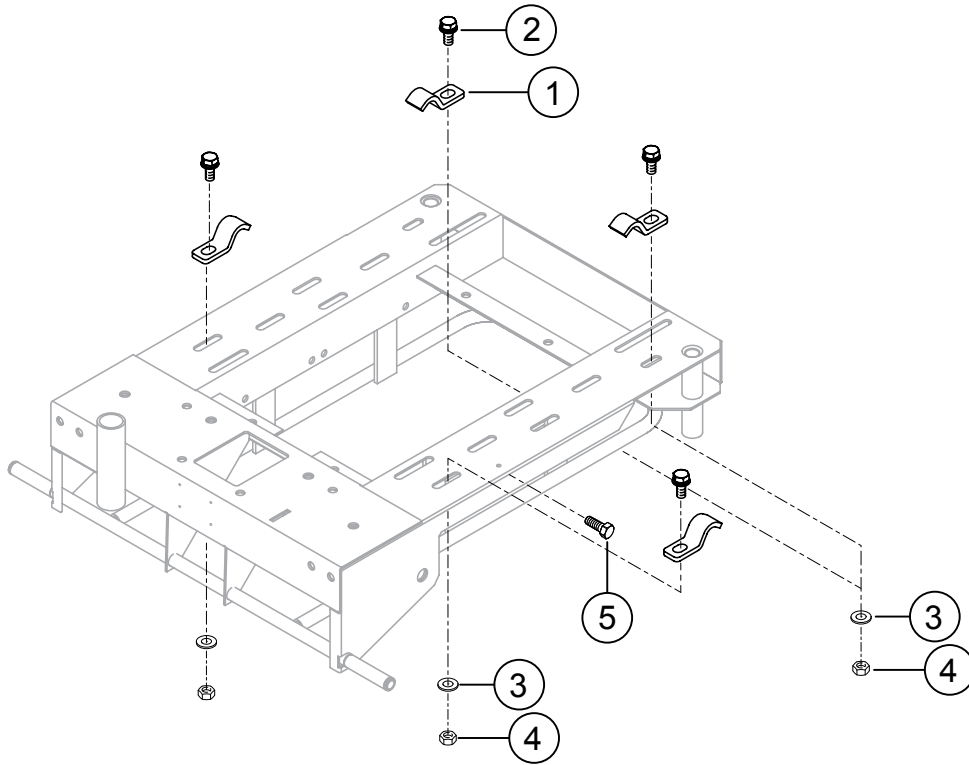
NAMEPLATES AND DECALS



NAMEPLATES AND DECALS

<u>NO.</u>	<u>PART NO.</u>	<u>PART NAME</u>	<u>QTY.</u>	<u>REMARKS</u>
1	A400261700	DECAL; CAUTION, REMOVE POWER CORD	1	
2	A400155500	DECAL; WARNING, ADJ. LEVER HAZARD	1	
3	A400262200	DECAL; WARNING, LIFT HANGER	1	
4	A400155400	DECAL; DANGER ELECTRIC SHOCK (GLOBUG)	1	
5	A400262400	DECAL; DANGER, GLOBUG INFORMATION	1	
6	A400261900	DECAL; DANGER, ELECTRICAL SHOCK (GND)	1	
7	A400262100	DECAL; WARNING, OUTRIGGER DEPLOYMENT	1	
8	A400084300	DECAL; GROUND, Ø10 WHITE	1	
9	A400261600	DECAL; WARNING, READ MANUAL	1	
10	A400261800	DECAL; DANGER, ELECTRICAL SHOCK (TIRES)	1	
11	A400402200	DECAL; LIGHT SWITCH ON/OFF	1	
12	A400155600	DECAL; MQ LOGO	1	
13	A400262700	DECAL; WINCH UP/DOWN	1	
14	A400194800	DECAL; DANGER, ELECTRICAL SHOCK (CORDS)	1	
15	A400116400	DECAL; DANGER, INSERT FORKLIFT	4	
16		NAMEPLATE	1.....	CONTACTMQPARTS DEPT.

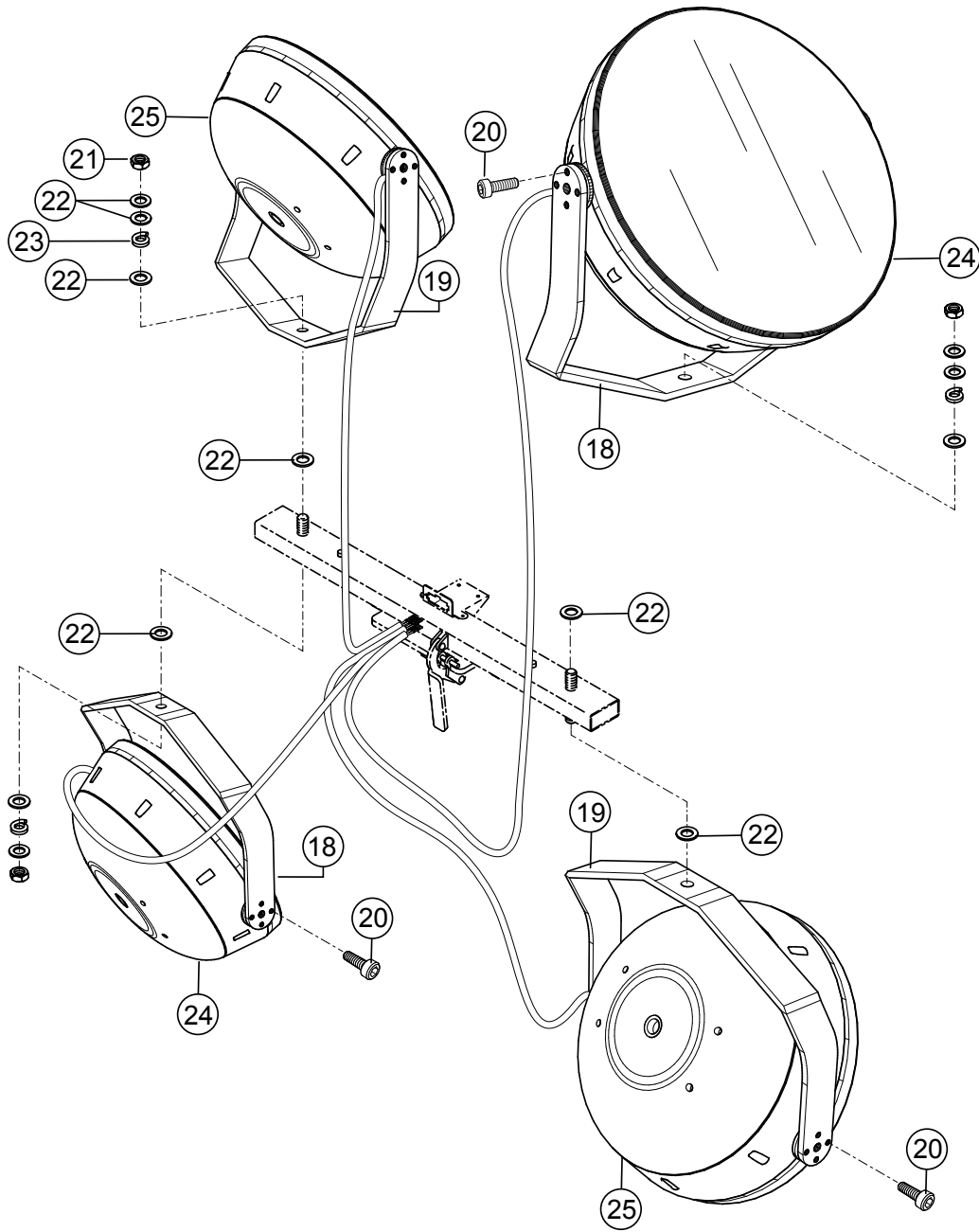
BASE PLATE ASSY.



BASE PLATE ASSY.

<u>NO.</u>	<u>PART NO.</u>	<u>PART NAME</u>	<u>QTY.</u>	<u>REMARKS</u>
1	A400166400	LOCKING CLAMP	4	
2	0013512025	BOLT AND WASHER, M12X25	4	
3	0043112000	WASHER, M12	4	
4	0033112000	NUT, M12	4	
5	0013106010	BOLT, M6X10	1	

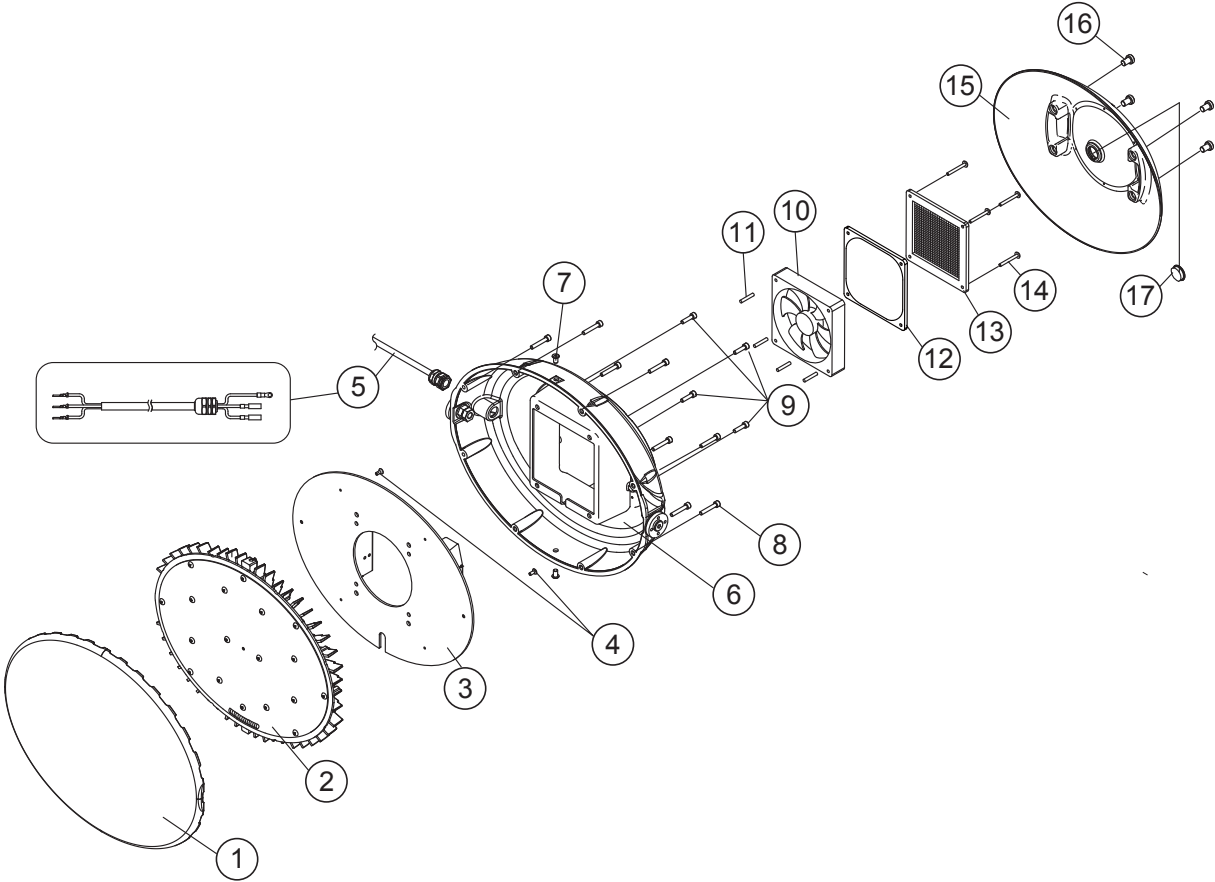
LED LAMP ASSY.



LED LAMP ASSY.

<u>NO.</u>	<u>PART NO.</u>	<u>PART NAME</u>	<u>QTY.</u>	<u>REMARKS</u>
18	A100117700	SPOT LAMP BRACKET, RIGHT.....	2.....	S/N G4100106 AND BELOW
18	A100117002	SPOT LAMP BRACKET, RIGHT.....	2.....	S/N G4100107 AND ABOVE
19	A100113402	SPOT LAMP BRACKET, LEFT.....	2.....	S/N G4100106 AND BELOW
19	A100117002	SPOT LAMP BRACKET, LEFT.....	2.....	S/N G4100107 AND ABOVE
20	0025005010	COUNTERSUNK SCREW M5x10	8	
21	0034116000	NUT, M16	4	
22	E000144000	WASHER, M16	16	
23	1042000230	SPRING, LAMP	4	
24	A000061907	LED 300W UNIT ASSY. (RIGHT).....	2.....	S/N G4100001 - G4100106
24	A000062007	LED 300W UNIT ASSY. (LEFT).....	2.....	S/N G4100001 - G4100106
25	A000094800	LED 300W UNIT ASSY. (RIGHT).....	2.....	S/N G4100007 AND ABOVE
25	A000094700	LED 300W UNIT ASSY. (LEFT).....	2.....	S/N G4100107 AND ABOVE

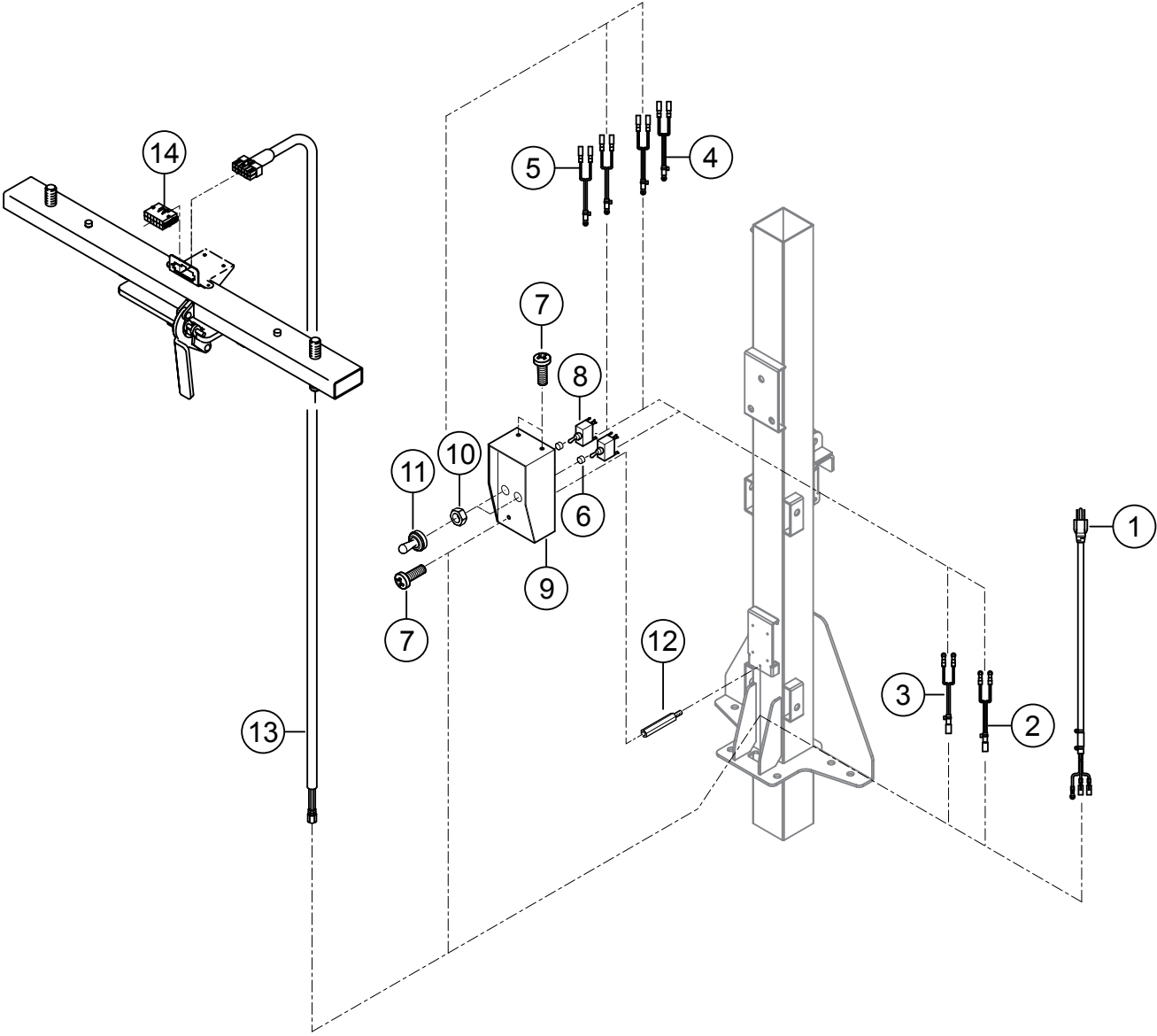
FRONT COVER ASSY.



FRONT COVER ASSY.

<u>NO.</u>	<u>PART NO.</u>	<u>PART NAME</u>	<u>QTY.</u>	<u>REMARKS</u>
1	A000060600	FRONT COVER ASSY.	4	
2	A000060700	HEAT SINK ASSY.	4	
3	A000060900	POWER UNIT ASSY.	4	
4	0025004010	COUNTERSUNK SCREW M4X10	8	
5	A300317701	CABLE (4-SPOT) COMPLETE	4	
6	A100110601	ARM BRACKET	4	
7	0017206010	BOLT, SOCKET HEAD SUS M6X10	8	
8	0017105030	BOLT, SOCKET HEAD SUS M5X30	32	
9	0043116000	BOLT, SOCKET HEAD SUS M6X16	16	
10	A300328800	FAN	4	
11	E000152600	SPACER	16	
12	A400400500	PLATE, FAN	4	
13	E000134400	FAN GUARD	4	
14	0024304035	SCREW, TRUSS HEAD	16	
15	A100116000	SPOT LAMP BACK COVER, RED.....	4.....	S/N G4100106 AND BELOW
15	A100110500	SPOT LAMP BACK COVER, GREY	4.....	S/N G4100107 AND ABOVE
16	0018108012	BOLT, SOCKET HEAD SUS M8X12	16	
17	E000148500	CAP	4	

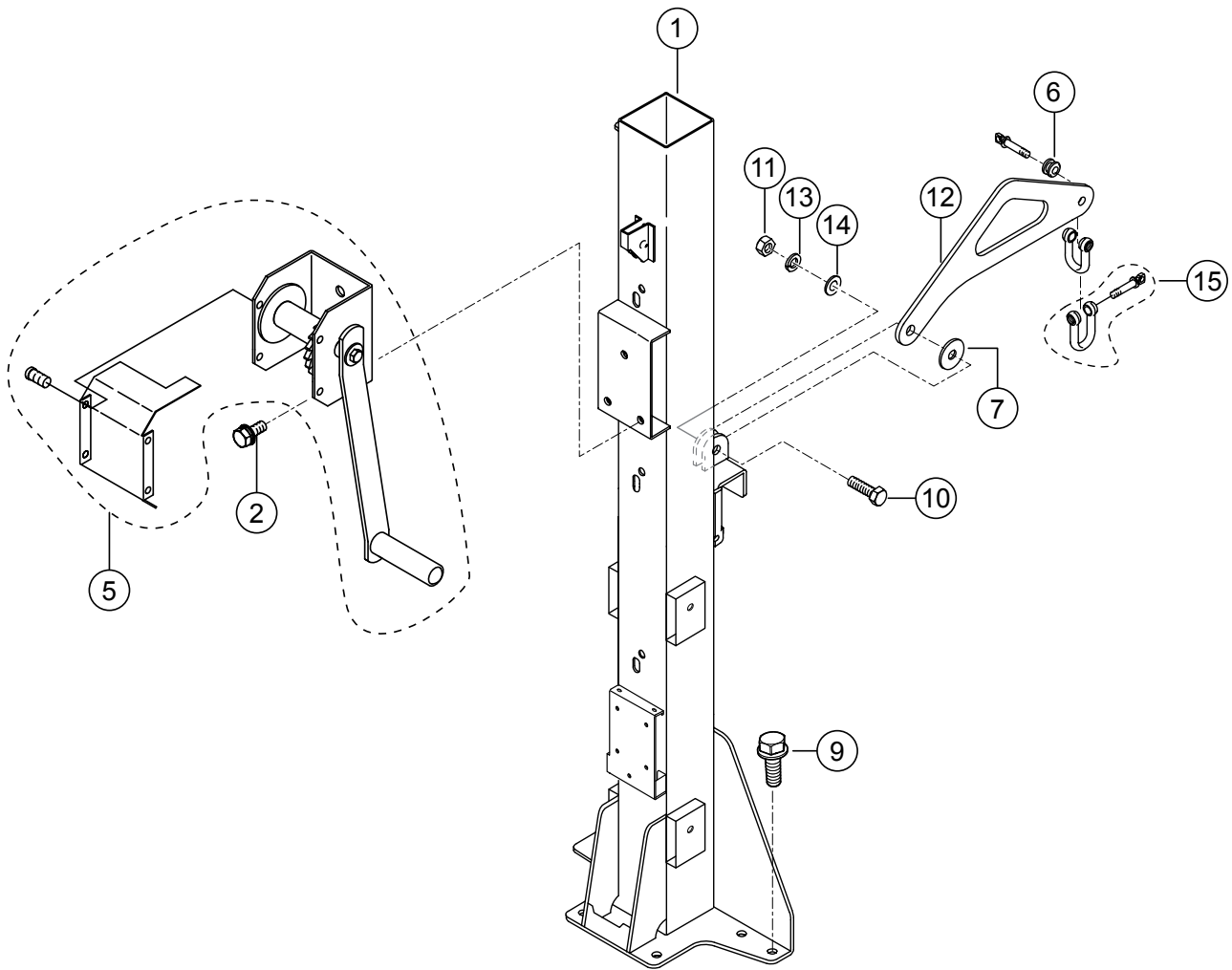
CABLE AND SWITCH ASSY.



CABLE AND SWITCH ASSY.

<u>NO.</u>	<u>PART NO.</u>	<u>PART NAME</u>	<u>QTY.</u>	<u>REMARKS</u>
1	A300335000	CABLE (MAIN GB43LED) CP	1	
2	A400401800	WIRE (JOINT) 3 CP	1	
3	A400401900	WIRE (JOINT) 4 CP	1	
4	A400402000	WIRE (JOINT) 5 CP	2	
5	A400402100	WIRE (JOINT) 6 CP	2	
6	E000153700	SWITCH, WASHER	2	
7	0023304012	BOLT AND WASHER, M4X12	3	
8	E000153400	SWITCH	2	
9	A300334701	SWITCH COVER	1	
10	E000153600	SWITCH NUT	2	
11	E000153500	SWITCH CAP	2	
12	2032500430	BOLT, SUPPORTER	1	
13	A300329700	WIRE (LAMP) CP	1	
14	1407021030	RECEPTACLE HOUSING	1	

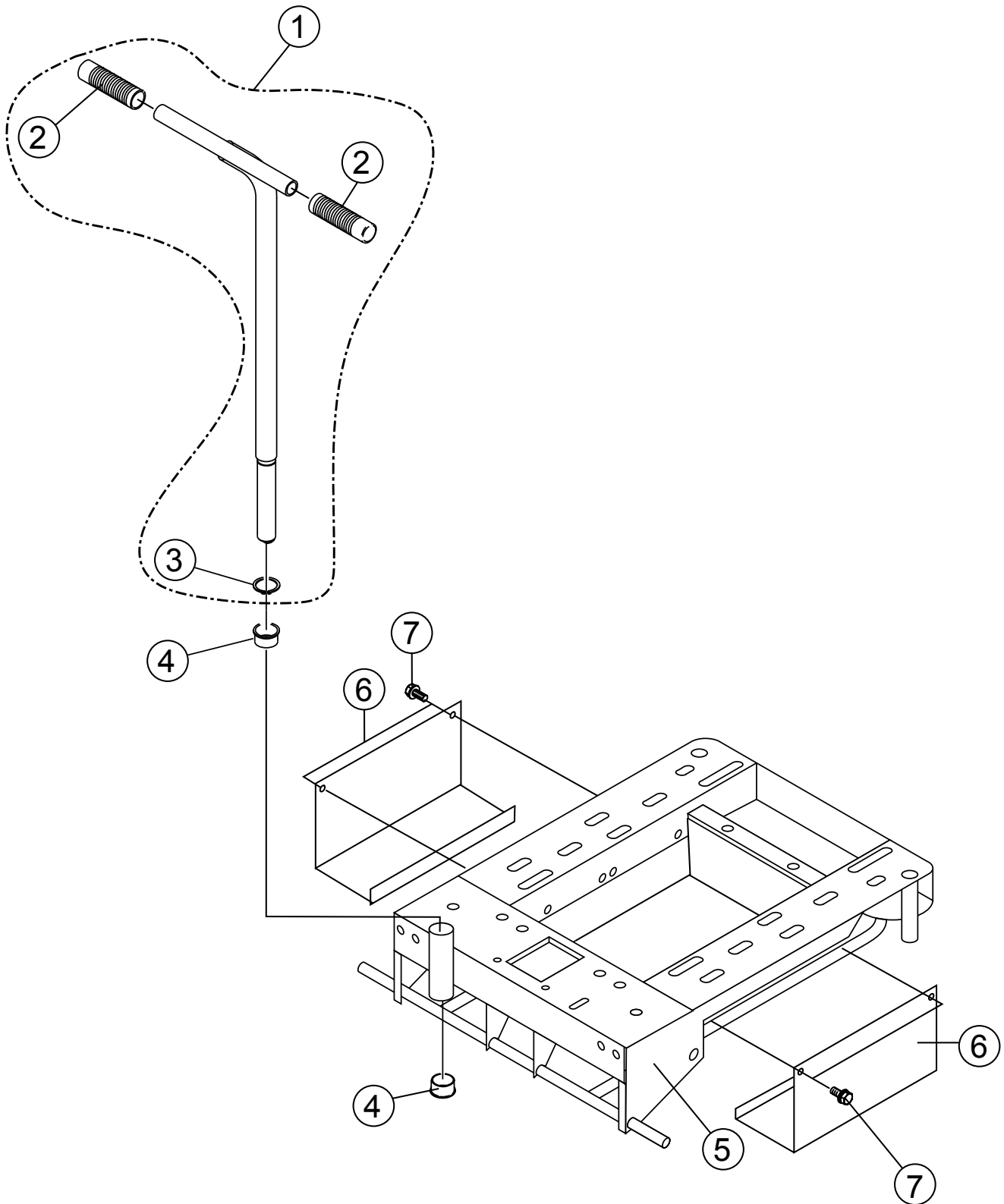
MAIN MAST ASSY.



MAIN MAST ASSY.

<u>NO.</u>	<u>PART NO.</u>	<u>PART NAME</u>	<u>QTY.</u>	<u>REMARKS</u>
1	A100028105	FIRST MAST	1	
2	0013510025	BOLT AND WASHER, M10X25	3	
5	1011000701	WINCH HM-G103	1	
6	1642001430	GROMMET	1	
7	0043112041	WASHER, 12DX40DX3.2	1	
9	0013512025	BOLT AND WASHER, M12X25	6	
10	0013112040	BOLT, M12X40	1	
11	0033112000	NUT, M12	1	
12	1052001710	HANGER	1	
13	0043212000	WASHER, LOCK M12	1	
14	0043112000	WASHER, M12	1	
15	1711080130	SHACKLE	2	

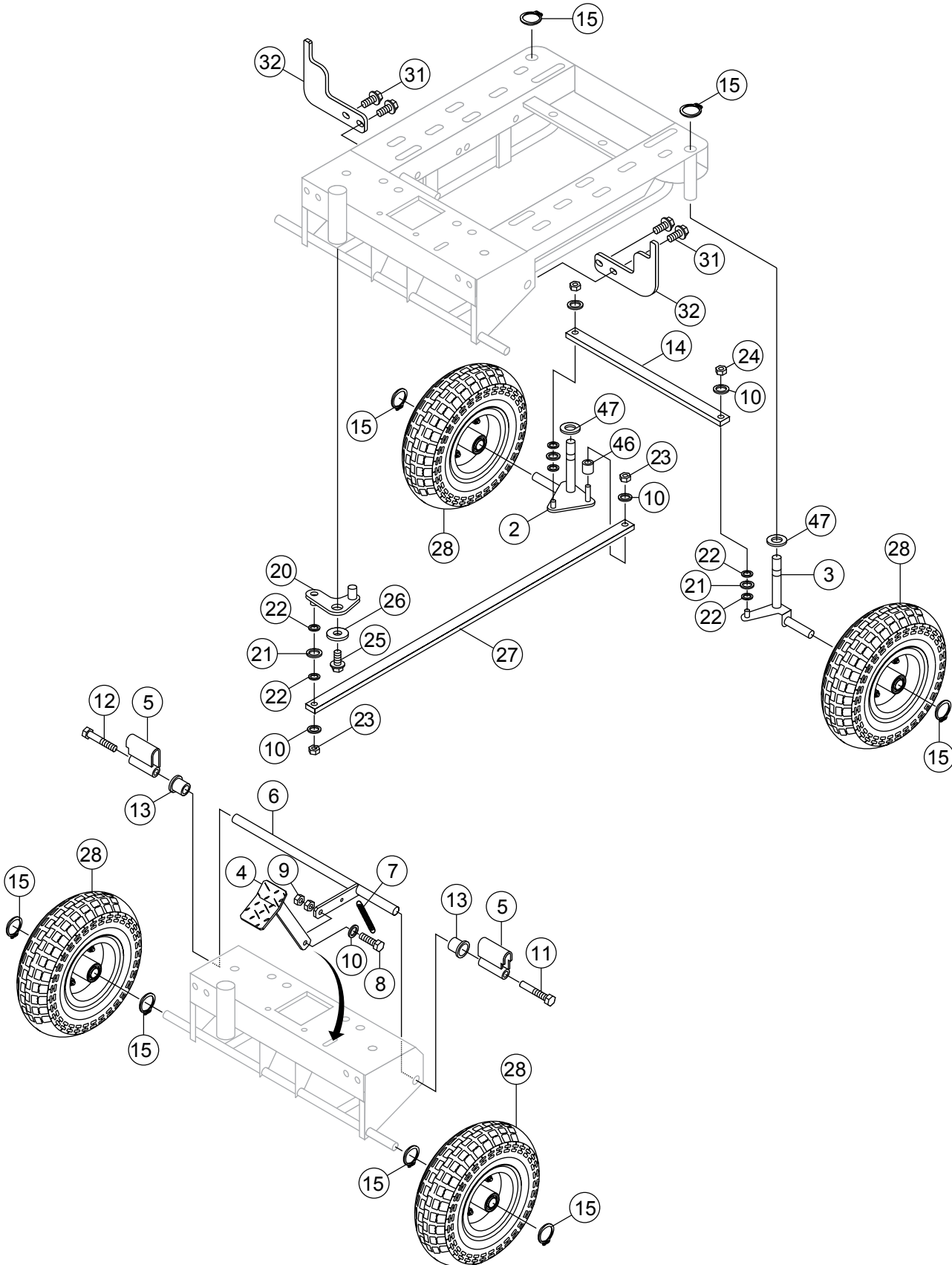
T-HANDLE ASSY.



T-HANDLE ASSY.

<u>NO.</u>	<u>PART NO.</u>	<u>PART NAME</u>	<u>QTY.</u>	<u>REMARKS</u>
1	A200023001	HANDLE	1.....	INCLUDES ITEMS W/#
2#	1102700130	HANDLE GRIP	2	
3#	0040730000	SNAP RING	1	
4	1503300130	SLEEVE BEARING, 30DX34DX20	2	
5	A100018906	BASE PLATE	1	
6	A300087403	SIDE GUARD	2	
7	0013508015	BOLT AND WASHER, M8X15	4	

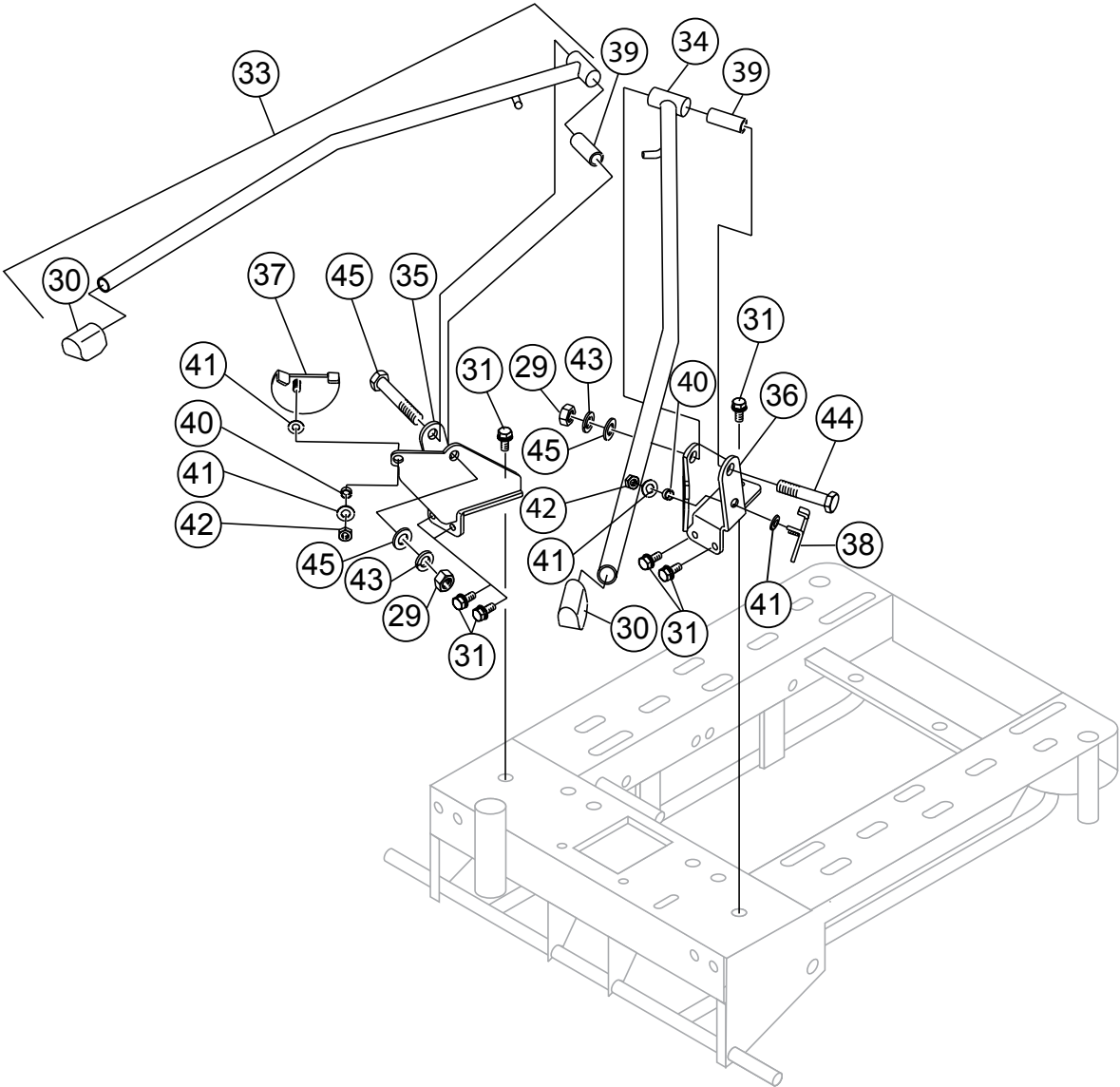
STEERING ASSY.



STEERING ASSY.

<u>NO.</u>	<u>PART NO.</u>	<u>PART NAME</u>	<u>QTY.</u>	<u>REMARKS</u>
2	A200022903	FRONT SHAFT (L)	1	
3	A200022803	FRONT SHAFT (R)	1	
4	2001200313	BRAKE PEDAL	1	
5	2071214010	BRAKE	2	
6	2071213211	BRAKE SHAFT	1	
7	1041000131	SPRING, BRAKE	1	
8	011208030	BOLT, M8X30 SUS	1	REPLACES P/N 0010308030
9	0033108000	NUT, M8	2	
10	0043108000	WASHER, M8	5	
11	0013212075	BOLT, M12X75	1	
12	1521120131	BOLT, M12X75 LEFT SCREW	1	
13	1503180130	SLEEVE BEARING, 18DX20DX20	2	
14	A400055501	LINK, FRONT SHAFT	1	
15	0040720000	SNAP RING, 20	8	
20	A300090600	LINK, HANDLE	1	
21	0043112000	WASHER, M12	3	
22	1504120130	WASHER, 12.2DX18DX0.5	6	
23	0033208000	SELF LOCK NUT, M8	1	
24	0030808000	PUSH NUT, 8	3	
25	0013512025	BOLT AND WASHER, M12X25	1	
26	0043112041	WASHER, 12DX40DX3.2	1	
27	A400055401	LINK, STEERING	1	
28	E000021400	PNEUMATIC TIRE	4	
31	0013510025	BOLT AND WASHER, M10X25	10	
32	A400033402	CATCHER, OUTRIGGER	2	
46	A400055101	SPACER	1	
47	E000031200	WASHER, 20DX36DX1.5	2	

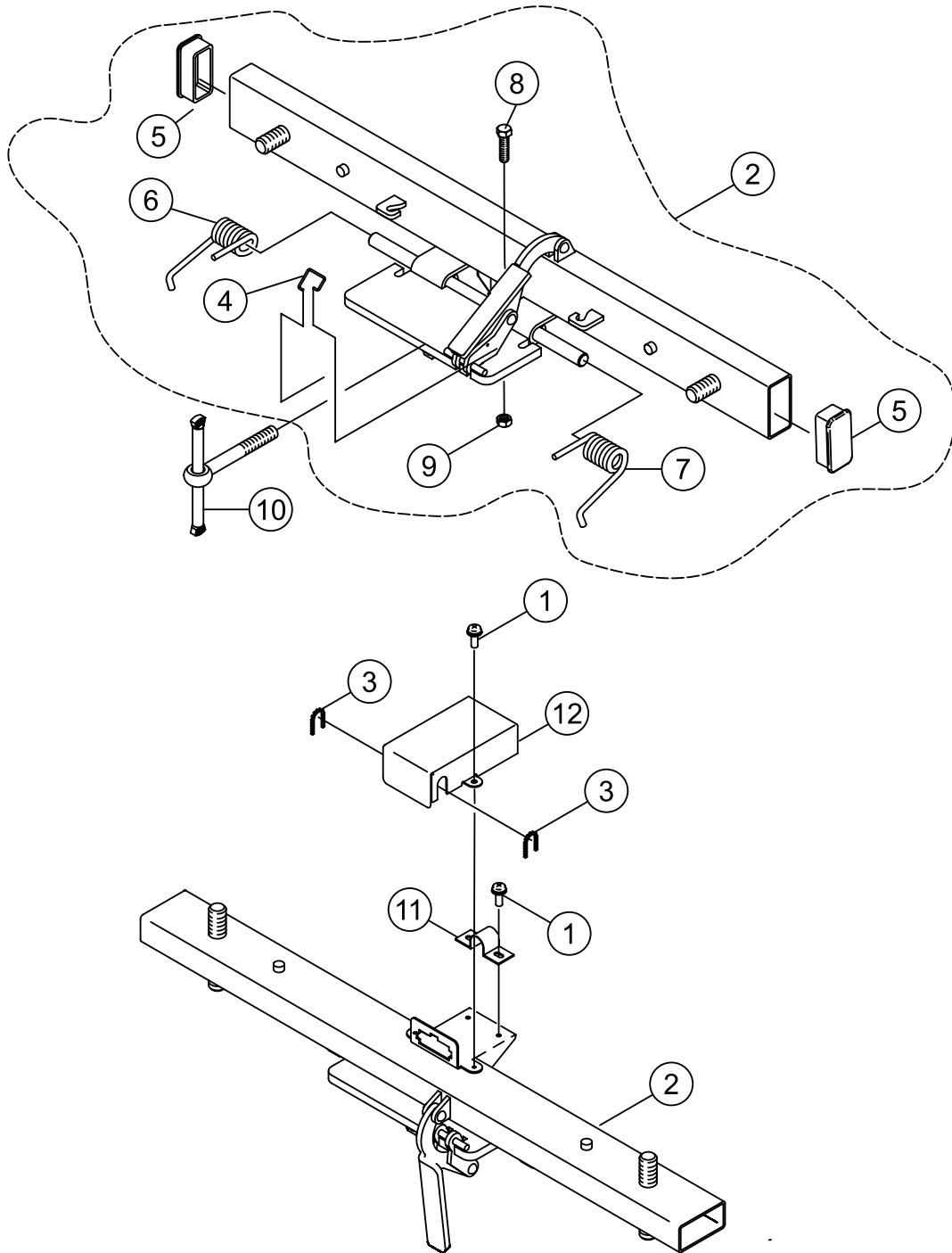
OUTRIGGER ASSY.



OUTRIGGER ASSY.

<u>NO.</u>	<u>PART NO.</u>	<u>PART NAME</u>	<u>QTY.</u>	<u>REMARKS</u>
29	0033116000	NUT, M16	2	
30\$	1641000330	RUBBER FOOT	2	
31	0013510025	BOLT AND WASHER, M10X25	10	
33	A200015203	OUTRIGGER (L)	1.....	INCLUDES ITEMS W/\$
34	A200015303	OUTRIGGER (R)	1	INCLUDES ITEMS W/\$
35	A100011501	BRACKET (OUT, R) L	1	
36	A100011601	BRACKET (OUT, R) R	1	
37	2031320213	WEIGHT (OUT, R) L	1	
38	2031321113	WEIGHT (OUT, R) R	1	
39	1501160111	SPACER (OUT, R)	2	
40	1501100430	SPACER, 10.2DX13.8DX6.5L	2	
41	0043110000	WASHER, M10	4	
42	0033210000	SELF LOCK NUT, M10	2	
43	0043216000	WASHER, LOCK, M16	2	
44	0013116090	BOLT, M16X90	2	
45	0043116000	WASHER, M16	2	

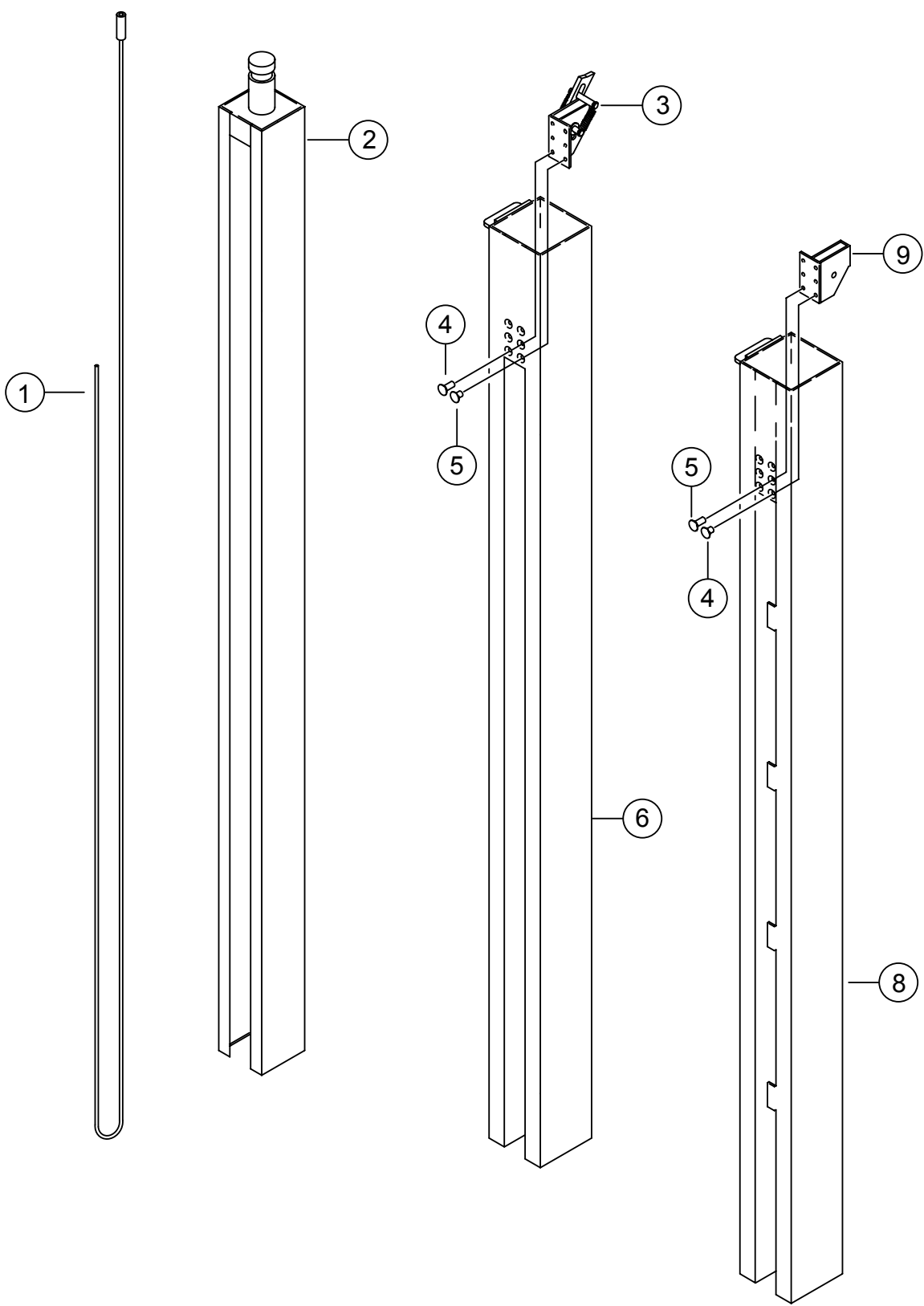
MAST ADAPTER ASSY.



MAST ADAPTER ASSY.

<u>NO.</u>	<u>PART NO.</u>	<u>PART NAME</u>	<u>QTY.</u>	<u>REMARKS</u>
1	0023304012	SCREW AND WASHER (M4 X 12)	4	
2	A100037300	LAMP STAND COMPLETE (OVAL LAMP)	1.....	INCLUDES ITEMS W/%
3	1643000110	FREE BUSH	2	
4%	1045000130	SPRING (LEVER)	1	
5%	1652000131	END CAP	2	
6%	A300093000	SPRING (LAMP STAND) L	1	
7%	A300092600	SPRING (LAMP STAND) R	1	
8%	0010308030	BOLT (M8 X 30)	1	
9%	0033108000	NUT (M8)	4	
10	2072310113	ADJUST LEVER (LAMP STAND)	1	
11	1603000730	CLAMP	1	
12	2072400510	CONNECTOR COVER	1	

MAST SECTION ASSY.



MAST SECTION ASSY.

<u>NO.</u>	<u>PART NO.</u>	<u>PART NAME</u>	<u>QTY.</u>	<u>REMARKS</u>
1	1031041010	WIRE ROPE COMPLETE	1	
2	A200030801	FOURTH MAST COMPLETE	1	
3	2012263010	BRACKET(PULLEY) 3 COMPLETE	1	
4	0025004010	SCREW (M4X10)	6	
5	0025004006	SCREW (M4X6)	6	
6	A200030700	THIRD MAST COMPLETE	1	
8	A200027200	SECOND MAST COMPLETE	1	
9	2002262010	BRACKET(PULLEY) 2 COMPLETE	1	