

REVISED STARTING
SERIAL # 160110307



PARTS LIST MANUAL

MODEL SS26-35K

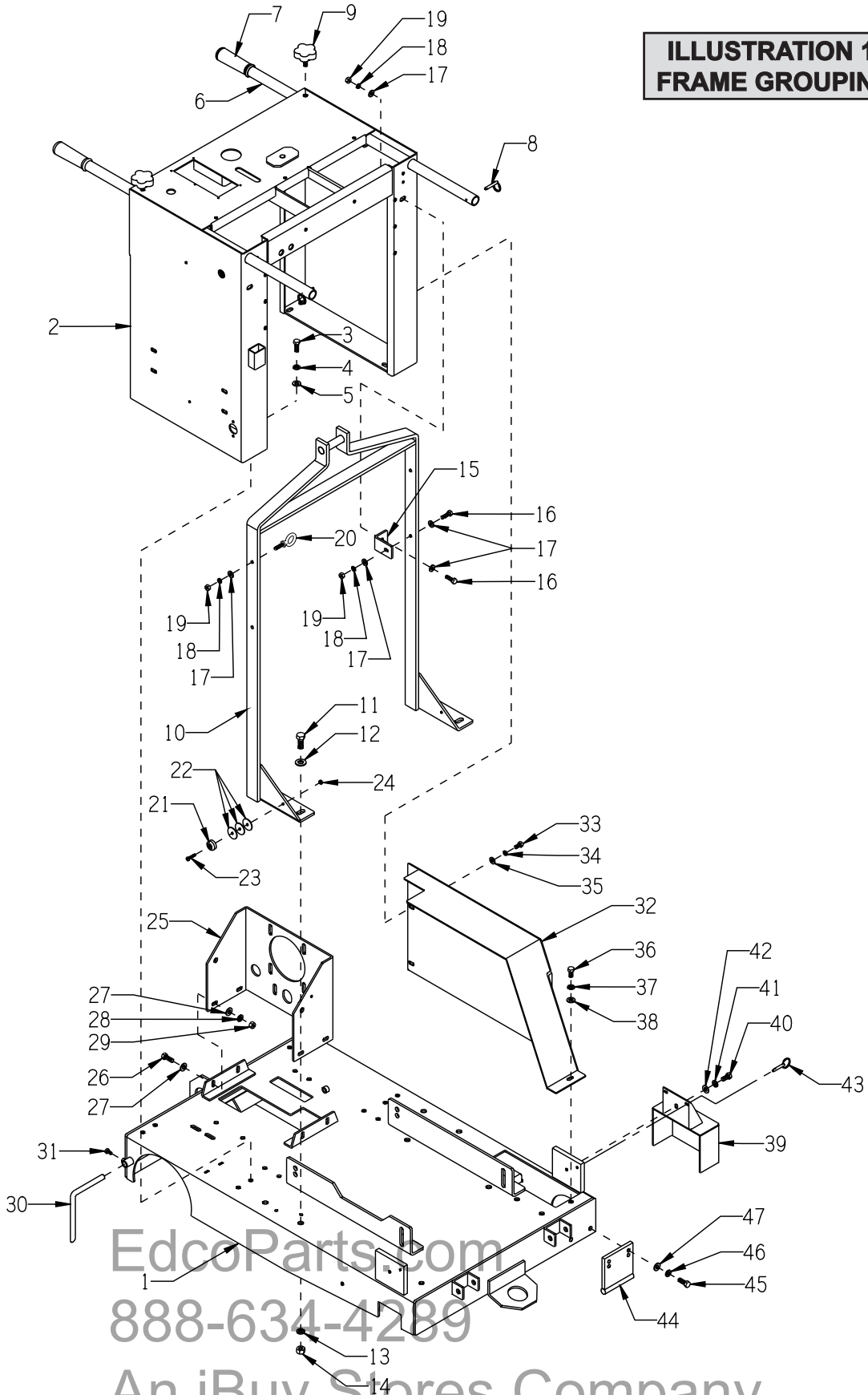


Gasoline Powered 35 H.P. Kohler Command Pro Self-Propelled Concrete & Asphalt Saw

SAW SET-UP OPTIONS

SKU NUMBER	BLADE GUARD SIZE	BLADE SPEED
31400-30	30 INCH	1900 RPM
31400-26	24 - 26 INCH	2100 RPM
31400-20	18 - 20 INCH	2100 RPM
31400-16	14 - 16 INCH	2750 RPM

**ILLUSTRATION 1:
FRAME GROUPING**



PARTS LISTING - ILLUSTRATION 1: FRAME GROUPING

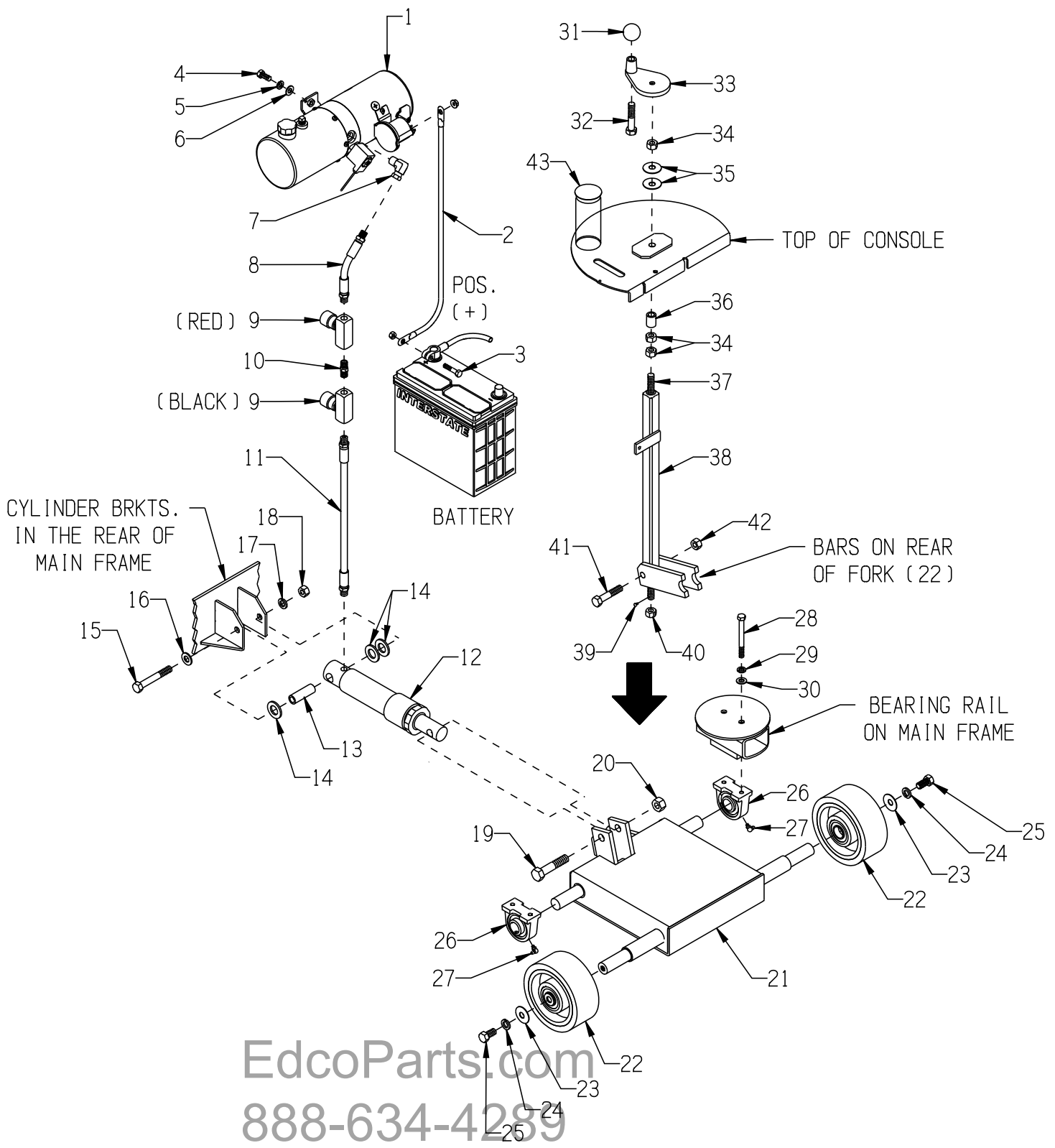
ITEM #	PART #	DESCRIPTION	QTY.	ITEM #	PART #	DESCRIPTION	QTY.
1	50701	MAIN FRAME, SS-26	1	24	10832	NUT, KEPS LOCK 10-32 ZINC	1
2	50650	CONSOLE, SS-26 GAS	1	25	50508	MOUNT, TRANSMISSION, SS-26	1
3	10055	SCREW, CAP 3/8-16 X 1	8	26	10021	SCREW, CAP 3/8-24 X 1	4
4	10811	WASHER, LOCK 3/8 ZINC	8	27	10025	WASHER, FLAT 3/8 SAE ZINC	8
5	10025	WASHER, FLAT 3/8 SAE ZINC	8	28	10811	WASHER, LOCK 3/8 ZINC	4
6	50522	HANDLE BAR 36", SS-26	2	29	10014	NUT, HEX 3/8-24 ZINC	4
7	10608	GRIP, HAND 1" MODEL AT	2	30	51011	GUIDE POINTER, REAR	1
8	10145	PIN, DETENT RING 3/16 X 1-5/16	2	31	10834	SCREW, CAP 1/4-20 X 1/2 ZINC	1
9	51230	KNOB, STAR CLAMPING 3/8-16 X 1"STUD	2	32	50702K	BELT COVER, SS26-35K	1
10	50606	BAIL, LIFTING	1	33	10053	SCREW, CAP 5/16-18 X 3/4	3
11	10321	SCREW, CAP 1/2-20 X 1-1/4	4	34	10801	WASHER, LOCK 5/16 ZINC	3
12	10312	WASHER, FLAT 1/2 SAE ZINC	4	35	10213	WASHER, FLAT 5/16 SAE ZINC	3
13	10045	WASHER, LOCK 1/2 ZINC	4	36	10907	SCREW, CAP 3/8-16 X 3/4	1
14	10072	NUT, HEX 1/2-20 ZINC	4	37	10811	WASHER, LOCK 3/8 ZINC	1
15	50711	BRACE, LIFTING BAIL	2	38	10025	WASHER, FLAT 3/8 SAE ZINC	1
16	10806	SCREW, CAP 5/16-18 X 1	4	39	50704	COVER, ARBOR, SS-26	1
17	10213	WASHER, FLAT 5/16 SAE ZINC	9	40	10907	SCREW, CAP 3/8-16 X 3/4	1
18	10801	WASHER, LOCK 5/16 ZINC	5	41	10811	WASHER, LOCK 3/8 ZINC	1
19	10054	NUT, HEX 5/16-18 ZINC	5	42	10025	WASHER, FLAT 3/8 SAE ZINC	1
20	11593	BOLT, EYE SHOULDER 5/16-18 X 1-1/8	1	43	49016	PIN, DETENT RING 1/4 X 1 E.L.	1
21	52022	BUMPER, RUBBER 1OD X 3/16ID X 7/16H	1	44	50703	GUARD, LOWER PULLEY, SS-26	1
22	40378-S1	WASHER, FENDER 1/4ID X 1-1/4OD S.S.	3	45	10055	SCREW, CAP 3/8-16 X 1	2
23	10384	SCREW, MACHINE 10-32 X 1	1	46	10811	WASHER, LOCK 3/8 ZINC	2
				47	10025	WASHER, FLAT 3/8 SAE ZINC	2

EdcoParts.com

888-634-4289

An iBuy Stores Company

ILLUSTRATION 2: LIFT GROUPING



PARTS LISTING - ILLUSTRATION 2: LIFT GROUPING

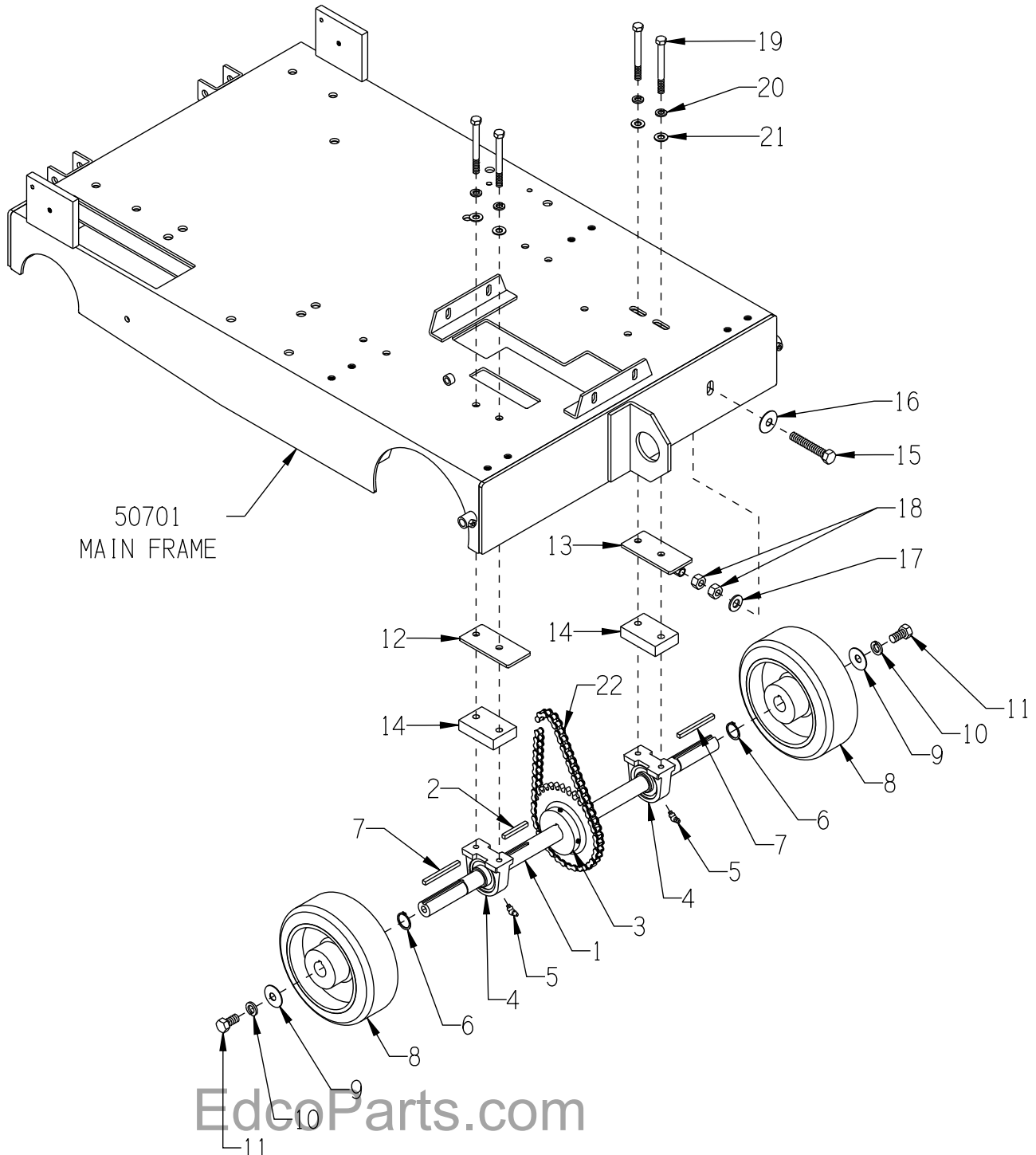
ITEM #	PART #	DESCRIPTION	QTY.	ITEM #	PART #	DESCRIPTION	QTY.
1	50620	PUMP, HYDRAULIC ELEC., 12VDC M-319	1	21	50502	FORK, SS-26	1
		REPLACEMENT PARTS FOR PUMP:		22	50439	WHEEL 6 X 2-1/2 X 1"BRG., RED POLY	2
		50620-1 SOLENOID		23	10433	WASHER, BELLEVILLE 1/2ID X 3/32THK	2
		50620-2 VALVE		24	10045	WASHER, LOCK 1/2 ZINC	2
		50620-12 COIL		25	10914	SCREW, CAP 1/2-13 X 1	2
		50620-42 PLUG, VENT (PLASTIC) 01143		26	50222	BEARING, BALL 1" TPB	2
	50620-43 PLUG, SQUARE HEAD, 1/4 NPT		27	10961	FITTING, GREASE 1/4-28 X 90°	2	
2	50117R	CABLE, EYE-EYE 4GA. X 24" (RED)	1	28	10868	SCREW, CAP 3/8-16 X 3-1/2	4
3	10342	SCREW, CAP 5/16-18 X 1-1/2	1	29	10811	WASHER, LOCK 3/8 ZINC	4
4	10055	SCREW, CAP 3/8-16 X 1	2	30	10025	WASHER, FLAT 3/8 SAE ZINC	4
5	10811	WASHER, LOCK 3/8 ZINC	2	31	14023	KNOB, BALL 1-3/8 W/ 1/2-13THD	1
6	10025	WASHER, FLAT 3/8 SAE ZINC	2	32	10323	SCREW, CAP 1/2-13 X 2-1/2	1
7	10794	FITTING, SWIVEL 90D, 3/8 X 1/4 NPT	1	33	57016	HANDWHEEL, SMALL W/ 1/2-13 THD.	1
8	57078	HOSE, HYDRAULIC 1/4NPT X 6-1/2"LOA	1	34	10417	NUT, HEX 1/2-13 ZINC	3
9	61116	VALVE, FLOW CONTROL	2	35	10426	WASHER, BELLEVILLE 1/2ID X 3/64THK	2
10	10717	NIPPLE, HEX 1/4 NPT (BRASS)	1	36	50526	SPACER, STEEL 1/2"ID X 1"LG	1
11	50527	HOSE, HYDRAULIC 1/4NPT X 15-1/2"LOA	1	37	50409	ROD, ALLTHREAD LINKAGE 1/2-13 X 22"	1
12	61020	CYLINDER, HYDRAULIC	1	38	50412	LINKAGE LOWER TUBE, SS-26	1
13	61021	SPACER, CYL.REAR 1/2"ID X 2-1/4	1	39	10127	SCREW, DRIVE 1/8 X 1/4"L	1
14	10009	WASHER, FLAT 3/4 SAE ZINC	3	40	50455	NUT 1/2-13, SPECIAL	1
15	10324	SCREW, CAP 1/2-13 X 3-1/2	1	41	10343	SCREW, CAP 1/2-20 X 2-1/2	1
16	10312	WASHER, FLAT 1/2 SAE ZINC	1	42	10809	NUT, HEX LOCK 5/8-11 ZINC	1
17	10045	WASHER, LOCK 1/2 ZINC	1	43	65022	PLUG, HOLE 2"	1
18	10417	NUT, HEX 1/2-13 ZINC	1				
19	10326	SCREW, CAP 5/8-11 X 3	1				
20	10809	NUT, HEX LOCK 5/8-11 ZINC	1				

EdcoParts.com

888-634-4289

An iBuy Stores Company

ILLUSTRATION 3: REAR AXLE GROUPING



EdcoParts.com

888-634-4289

An iBuy Stores Company

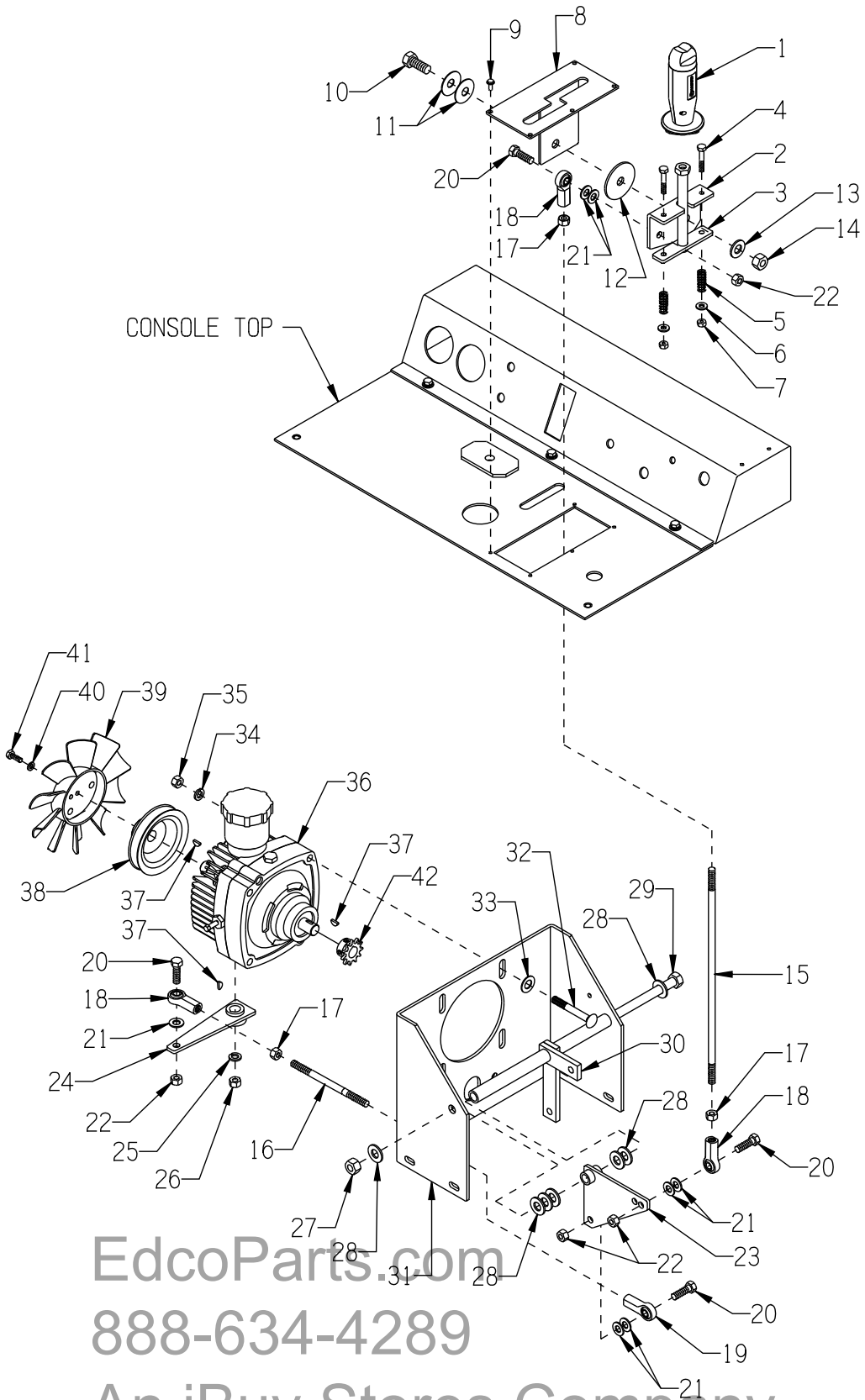
PARTS LISTING - ILLUSTRATION 3: REAR AXLE GROUPING			
ITEM #	PART #	DESCRIPTION	QTY.
1	50519	AXLE SHAFT 1"DIA. X 25"L, SS-26	1
2	10115	KEY 1/4SQ X 2	1
3	61126	SPROCKET #40B34 X 1"BORE	1
4	50222	BEARING, BALL 1" TPB	2
5	10960	FITTING, GREASE 1/4-28 X 45°	2
6	10906	RETAINING RING, EXT. 1"	2
7	10132	KEY 1/4SQ X 3	2
8	61065	WHEEL 8 X 3 X 1"BORE	2
9	10433	WASHER, BELLEVILLE 1/2ID X 3/32THK	2
10	10045	WASHER, LOCK 1/2 ZINC	2
11	10914	SCREW, CAP 1/2-13 X 1	2
12	50511	SHIM, AXLE BEARING, SS-26	1
13	50512	SHIM, AXLE BEARING W/ ADJ.,SS-26	1
14	50510	SPACER, BEARING, SS-26	2
15	10340	BOLT, TAP 1/2-13 X 3 (FULL THREAD)	1
16	10433	WASHER, BELLEVILLE 1/2ID X 3/32THK	1
17	10312	WASHER, FLAT 1/2 SAE ZINC	1
18	10417	NUT, HEX 1/2-13 ZINC	2
19	10318	SCREW, CAP 3/8-16 X 3-3/4	4
20	10811	WASHER, LOCK 3/8 ZINC	4
21	10025	WASHER, FLAT 3/8 SAE ZINC	4
22	50542	CHAIN #40 X 25" + CL, SS-26	1

EdcoParts.com

888-634-4289

An iBuy Stores Company

ILLUSTRATION 4: TRANSMISSION, DRIVE LEVER & LINKAGE GROUPING



EdcoParts.com
888-634-4289
An iBuy Stores Company

**PARTS LISTING - ILLUSTRATION 4:
TRANSMISSION, DRIVE LEVER & LINKAGE GROUPING**

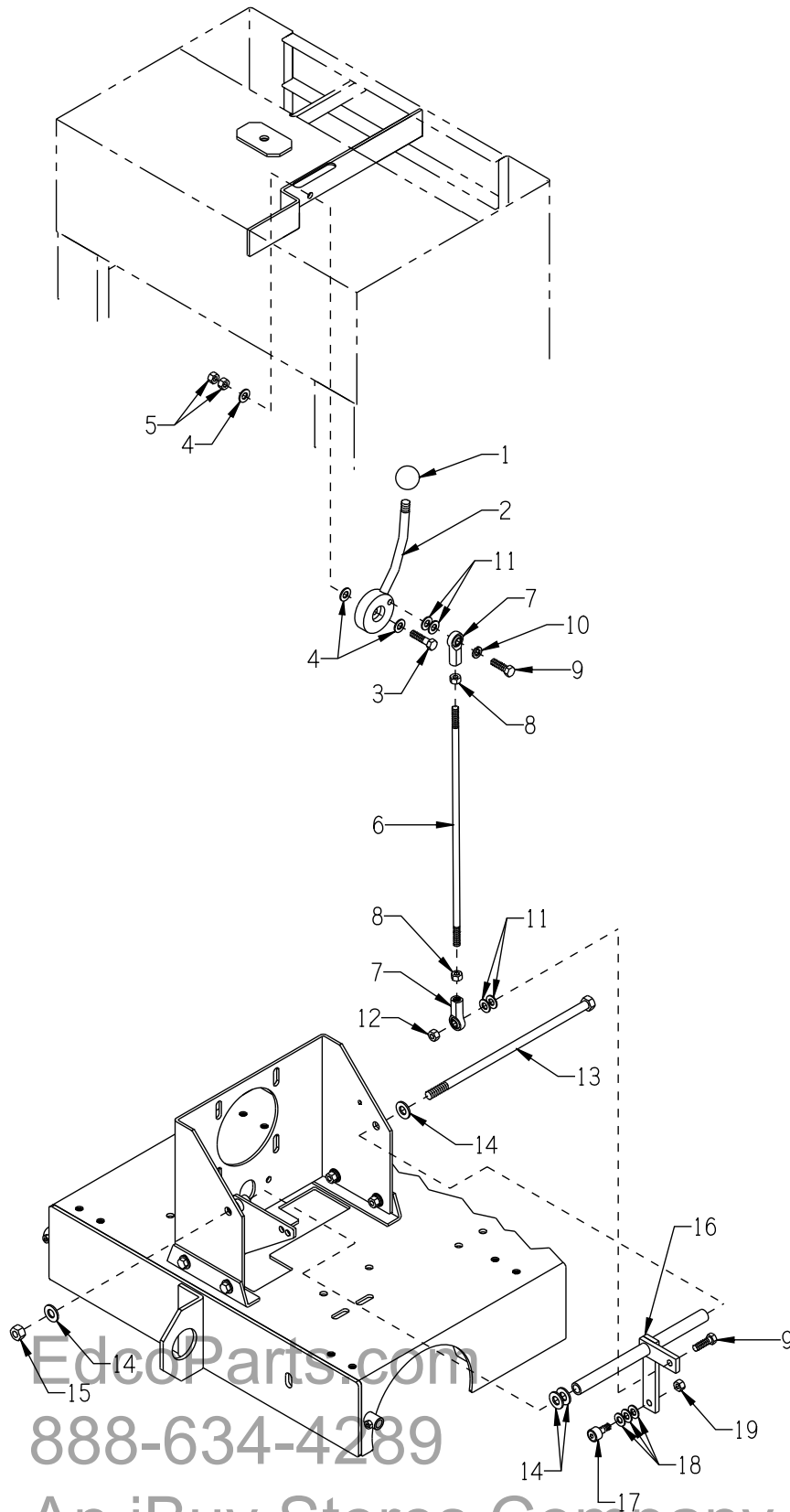
ITEM #	PART #	DESCRIPTION	QTY.	ITEM #	PART #	DESCRIPTION	QTY.
1	50610	GRIP W/ ROCKER SWITCH	1	20	10309	SCREW, CAP 3/8-24 X 1-1/4	4
	50610-1	INDIVIDUAL PARTS:	1	21	10025	WASHER, FLAT 3/8 SAE ZINC	7
	50614A	GRIP BUILD KIT, 2 HALVES	1	22	10004	NUT, HEX LOCK 3/8-24 ZINC	4
	50615	ROCKER SWITCH W/ WIRES	1	23	57123	BELLCRANK, DRIVE CONTROL	1
		CAP, RUBBER BOOT	1	24	50422	TRANS. CONTROL ARM	1
2	50613	PLATE, DRIVE LEVER	1	25	10811	WASHER, LOCK 3/8 ZINC	1
		PRESSURE		26	10404	NUT, HEX 3/8-16 ZINC	1
3	50608	LEVER, DRIVE, SS-26	1	27	10407	NUT, HEX LOCK 1/2-13 ZINC	1
4	10315	SCREW, CAP 1/4-20 X 1-1/2	2	28	10312	WASHER, FLAT 1/2 SAE ZINC	7
5	57471	SPRING, COMP. .	2	29	10421	SCREW, CAP 1/2-13 X 13	1
		468"OD X 1.25"FL		30	50450	BELL CRANK, CLUTCH, SS-26	1
6	10602	WASHER, FLAT 1/4 SAE ZINC	2	31	50508	MOUNT, TRANSMISSION, SS-26	1
7	10015	NUT, HEX LOCK 1/4-20 ZINC	2	32	10909	BOLT, CARRIAGE 3/8-16 X 3	4
8	50607	GATE, DRIVE LEVER, SS-26	1	33	10040	WASHER, GARRET	4
9	10877	SCREW, CAP STSHW	5			17/32 X 1 X .054	
		10-24 X 1/2		34	10811	WASHER, LOCK 3/8 ZINC	4
10	10321	SCREW, CAP 1/2-20 X 1-1/4	1	35	10404	NUT, HEX 3/8-16 ZINC	4
11	10426	WASHER, BELLEVILLE		36	50061	TRANSMISSION, HYDROSTATIC	1
		1/2ID X 3/64THK		37	50071	KEY, WOODRUFF 1/8 X 1/2	3
12	50428	WASHER, FIBER	1			(#404)	
		2-1/4OD X 1/2ID X 1/8		38	50062	SHEAVE, TRANS.	1
13	10312	WASHER, FLAT 1/2 SAE ZINC	1			4"OD X 1GR. X .671"B	
14	10205	NUT, HEX LOCK 1/2-20 ZINC	1	39	50266	FAN BLADE W/ PLATE 7",	1
15	57124	LINKAGE, ROD 3/8 X 14-5/8"L	1			TRANSMISSION	
16	50420	LINKAGE, ROD 3/8 X 5-3/4"L	1	40	10038	WASHER, LOCK 1/4 ZINC	1
17	10014	NUT, HEX 3/8-24 ZINC	3	41	10018	SCREW, CAP 1/4-20 X 3/4	1
18	10919	ROD END, FEMALE	3	42	50048	SPROCKET #3511 X .67"BORE	1
		3/8-24 R.H. THREAD					
19	10919L	ROD END, FEMALE	1				
		3/8-24 L.H. THREAD					

EdcoParts.com

888-634-4289

An iBuy Stores Company

ILLUSTRATION 5: CLUTCH LEVER & LINKAGE GROUPING



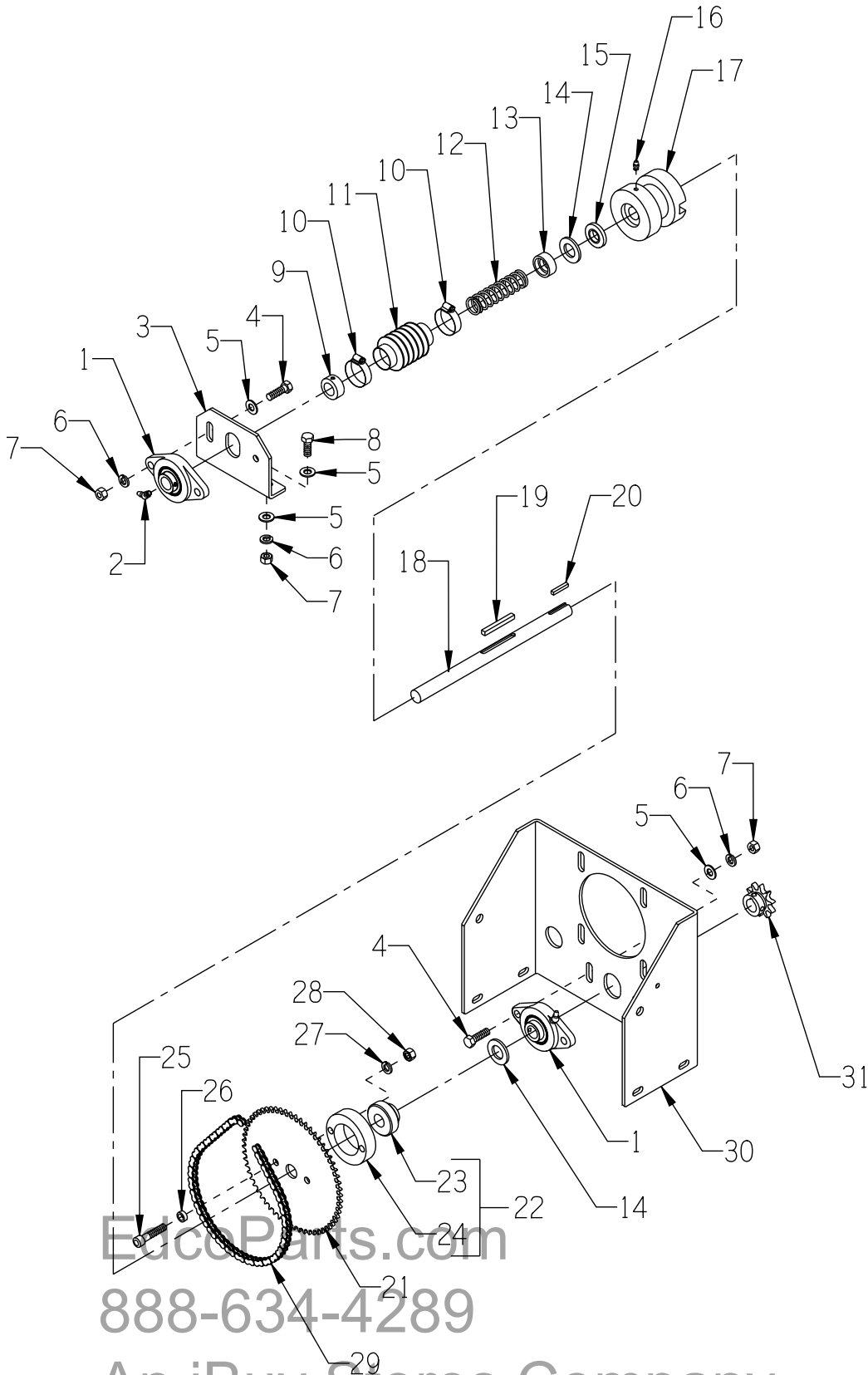
PARTS LISTING - ILLUSTRATION 5: CLUTCH LEVER & LINKAGE GROUPING			
ITEM #	PART #	DESCRIPTION	QTY.
1	14023	KNOB, BALL 1-3/8 W/ 1/2-13THD, BLK.	1
2	50611	LEVER, CLUTCH, SS-26	1
3	10816	SCREW, CAP 3/8-24 X 1-1/2	1
4	10025	WASHER, FLAT 3/8 SAE ZINC	3
5	10004	NUT, HEX LOCK 3/8-24 ZINC	2
6	50612	LINKAGE, ROD 3/8 X 17"L	1
7	10919	ROD END, FEMALE 3/8-24 R.H. THREAD	2
8	10014	NUT, HEX 3/8-24 ZINC	2
9	10309	SCREW, CAP 3/8-24 X 1-1/4 ZINC	2
10	10811	WASHER, LOCK 3/8 ZINC	1
11	10025	WASHER, FLAT 3/8 SAE ZINC	4
12	10004	NUT, HEX LOCK 3/8-24 ZINC	1
13	10421	SCREW, CAP 1/2-13 X 13	1
14	10312	WASHER, FLAT 1/2 SAE ZINC	4
15	10407	NUT, HEX LOCK 1/2-13 ZINC	1
16	50450	BELL CRANK, CLUTCH, SS-26	1
17	10924	CAM FOLLOWER BRG. 3/4" X 3/8-24THD	1
18	10025	WASHER, FLAT 3/8 SAE ZINC	3
19	10004	NUT, HEX LOCK 3/8-24 ZINC	1

EdcoParts.com

888-634-4289

An iBuy Stores Company

ILLUSTRATION 6: CLUTCH GROUPING

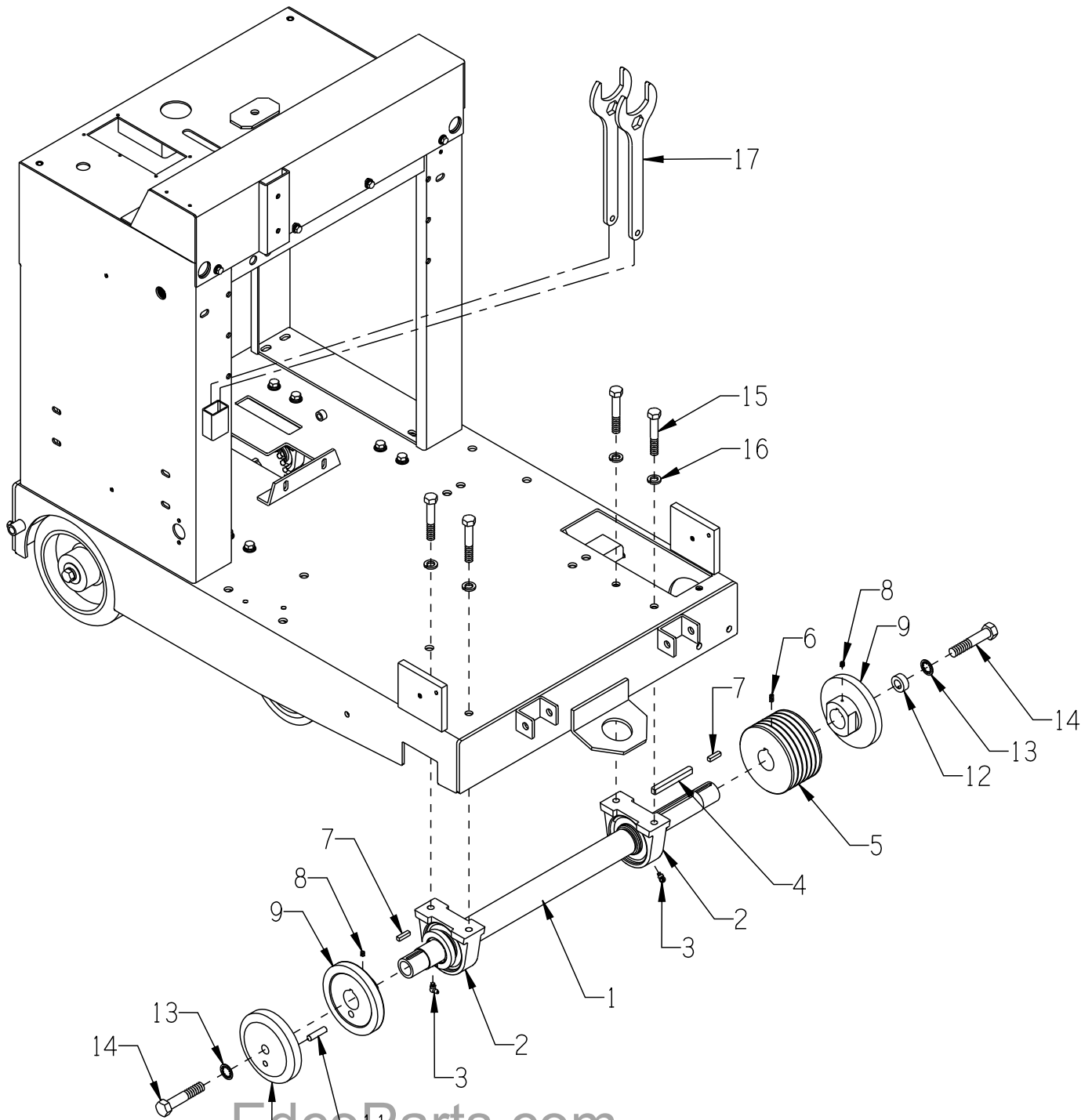


PARTS LISTING - ILLUSTRATION 6: CLUTCH GROUPING			
ITEM #	PART #	DESCRIPTION	QTY.
1	50049	BEARING, BALL 3/4" 2-HOLE FLANGE	2
2	10960	FITTING, GREASE 1/4-28 X 45°	2
3	50509	MOUNT, JACKSHAFT BEARING	1
4	10309	SCREW, CAP 3/8-24 X 1-1/4 ZINC	2
5	10025	WASHER, FLAT 3/8 SAE ZINC	8
6	10811	WASHER, LOCK 3/8 ZINC	6
7	10014	NUT, HEX 3/8-24 ZINC	6
8	10021	SCREW, CAP 3/8-24 X 1	2
9	10428	COLLAR, LOCKING 3/4"ID	1
10	10768	CLAMP, HOSE, SAE #16, ADJ. TO 1-1/2	2
11	10930	BELLOWS 1-1/4ID X 2-3/8EL X 1-3/4RL	1
12	10922	SPRING, COMP. 1"OD X 3.75"FL	1
13	57044	CLUTCH SPRING CUP	1
14	10009	WASHER, FLAT 3/4 SAE ZINC	2
15	3695	SEAL, OIL .750 X 1.375 X .250	1
16	10808	FITTING, GREASE 1/4-28 STRAIGHT	1
17	57042	CLUTCH, DOG BLOCK	1
18	50518	JACKSHAFT, CLUTCH 11-1/2", SS-26	1
19	10307	KEY 1/4SQ X 2-1/4	1
20	50523	KEY 3/16SQ X 1-1/8	1
21	50476	SPROCKET, CLUTCH #35A60	1
22	57038A	BEARING & CARRIER ASSY., CLUTCH	1
23	57038	BEARING, BALL 3/4ID X 1.8504"OD	1
24	57039	CARRIER, CLUTCH BEARING	1
25	10354	SCREW, SKT. HD. CAP 3/8-24 X 1-3/4	2
26	10113	SPACER, STEEL 9/16OD X 3/8ID X 7/32	2
27	10811	WASHER, LOCK 3/8 ZINC	2
28	10014	NUT, HEX 3/8-24 ZINC	2
29	64032	CHAIN #35 X 24-1/2" + CL	1
30	50508	MOUNT, TRANSMISSION, SS-26	1
31	50436	SPROCKET #40B10 X 3/4"BORE	1

888-634-4289

An iBuy Stores Company

ILLUSTRATION 7: ARBOR GROUPING



EdcoParts.com
888-634-4289

An iBuy Stores Company

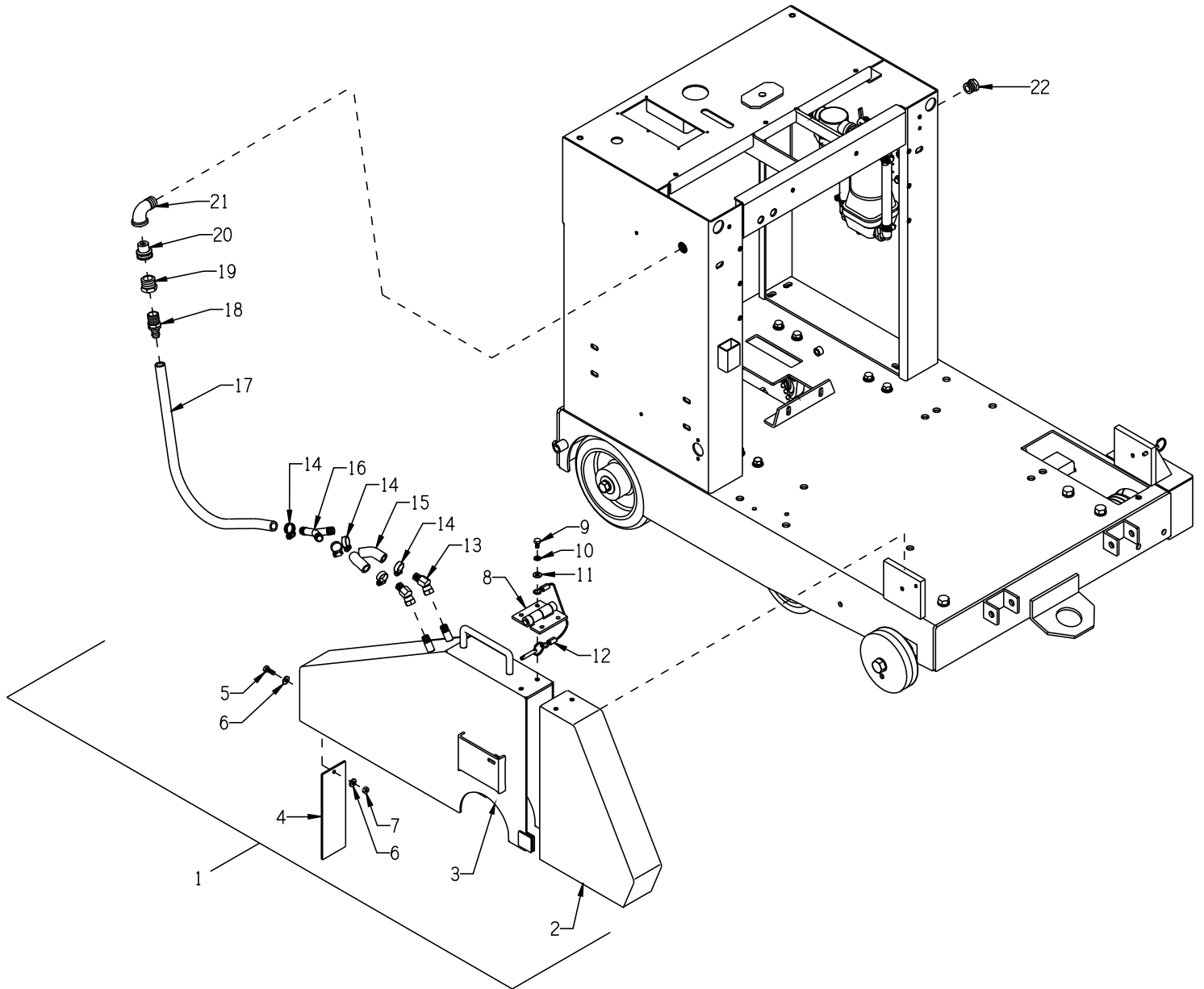
PARTS LISTING - ILLUSTRATION 7: ARBOR GROUPING			
ITEM #	PART #	DESCRIPTION	QTY.
1	50720	ARBOR SHAFT 28-1/8"L, SS-26	1
2	10111	BEARING, BALL 1-1/2" TAP PIL. BLOCK	2
3	10961	FITTING, GREASE 1/4-28 X 90°	2
4	10074	KEY 3/8SQ X 3-1/2	1
5	50724	SHEAVE 5.30"OD X 6GR.3V X SK. (REQUIRES BUSHING) (30" BLADE SET-UP)	1
	50725	BUSHING, SHEAVE SK X 1-7/16"BORE	
	10512	4.80"OD X 6GR.3V X 1-7/16"B (18"-26" BLADE SET-UP)	
	10511	3.65"OD X 6GR.3V X 1-7/16"B (14"-16" BLADE SET-UP)	
6	11854	SCREW, SET 10-32 X 1/2	4
7	10174	KEY 1/4SQ X 1	2
8	10161	SCREW, SET 1/4-28 X 5/16	2
9	50734	ARBOR BACKING PLATE 6" (30" BLADE SET-UP)	2
	50721	5" (14" - 26" BLADE SET-UP)	
10	57405	ARBOR BLADE CAP 6" (30" BLADE SET-UP)	1
	57403	5" (14" - 26" BLADE SET-UP)	
11	50722	PIN, SHEAR PROOF 3/8 X 1-1/2	1
12	10096	COLLAR, LOCKING 5/8"ID (SET SCREW REMOVED)	1
13	10457	WASHER, LOCK, INT. TOOTH 5/8"	2
14	10359	SCREW, CAP 5/8-11 X 3-1/4	2
15	10499	SCREW, CAP 1/2-13 X 3	4
16	10045	WASHER, LOCK 1/2 ZINC	4
17	57406	WRENCH, ARBOR, 2" & 15/16" COMBO	2

EdcoParts.com

888-634-4289

An iBuy Stores Company

ILLUSTRATION 8: BLADE GUARD GROUPING



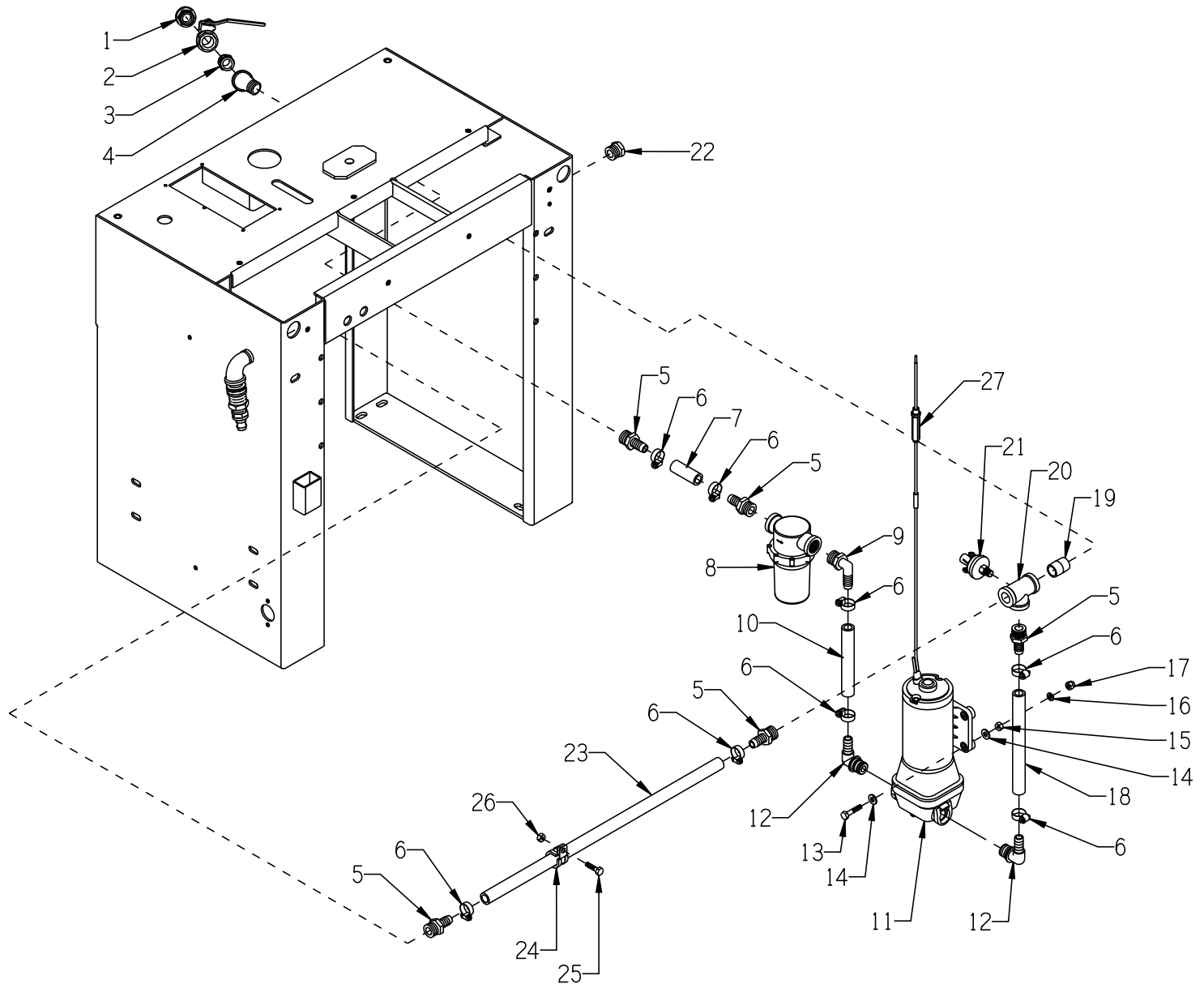
EdcoParts.com

888-634-4289

An iBuy Stores Company

PARTS LISTING - ILLUSTRATION 8: BLADE GUARD GROUPING			
ITEM #	PART #	DESCRIPTION	QTY.
1	50735A* 57449A* 57450A* 57451A*	BLADE GUARD ASSEMBLY (ITEMS 2 THRU 16) *NOTE: DROP "A" SUFFIX FOR ITEMS 2, 3, 8, 9 10, & 11. 30" BLADE 24" - 26" BLADE (SHOWN) 18" - 20" BLADE 14" - 16" BLADE	1
2	50735F 57449F 57450F 57451F	BLADE GUARD FRONT ONLY 30" BLADE 24" - 26" BLADE (SHOWN) 18" - 20" BLADE 14" - 16" BLADE	1
3	50735R 57449R 57450R 57451R	BLADE GUARD REAR ONLY 30" BLADE 24" - 26" BLADE (SHOWN) 18" - 20" BLADE 14" - 16" BLADE	1
4	41115	FLAP, RUBBER 2-1/2 X 8	1
5	10018	SCREW, CAP 1/4-20 X 3/4	1
6	10602	WASHER, FLAT 1/4 SAE ZINC	2
7	10015	NUT, HEX LOCK 1/4-20 ZINC	1
8	11617	HINGE, BUTT 3 X 3 X 7GA.	1
9	10834	SCREW, CAP 1/4-20 X 1/2 ZINC	4
10	10038	WASHER, LOCK 1/4 ZINC	4
11	10602	WASHER, FLAT 1/4 SAE ZINC	1
12	57482 57483 57484 57485	PIN & CABLE 30" BLADE GUARD 24" - 26" BLADE GUARD 18" - 20" BLADE GUARD 14" - 16" BLADE GUARD	1
13	10710	FITTING, SWIVEL 45, 1/4NPT HYD.	2
14	50069	CLAMP, HOSE, SAE #6, ADJ. TO 13/16	5
15	50532	HOSE, WATER 1/2"ID X 2"L	2
16	10682	BARBED FITTING, "Y" 1/2"HOSE	1
17	57194 57183 57140	HOSE 1/2"ID 22"L FOR 30" GUARD 24"L FOR 24" - 26" GUARD 26"L FOR 14" - 16" & 18" - 20" GUARDS	1
18	80061	BARB, PUSH-ON 1/2HOSE X 1/2MPT	1
19	10780	CONN. MALE 3/4NH X 1/2FPT (BRASS)	1
20	80021	CONN., SWIVEL FEM. 3/4HOSE X 1/2MPT	1
21	10724	ELBOW, STREET 1/2NPT X 90 (BLACK)	1
22	50552	PIPE PLUG 1/2 NPT (BRASS)	1

ILLUSTRATION 9: WATER PUMP GROUPING



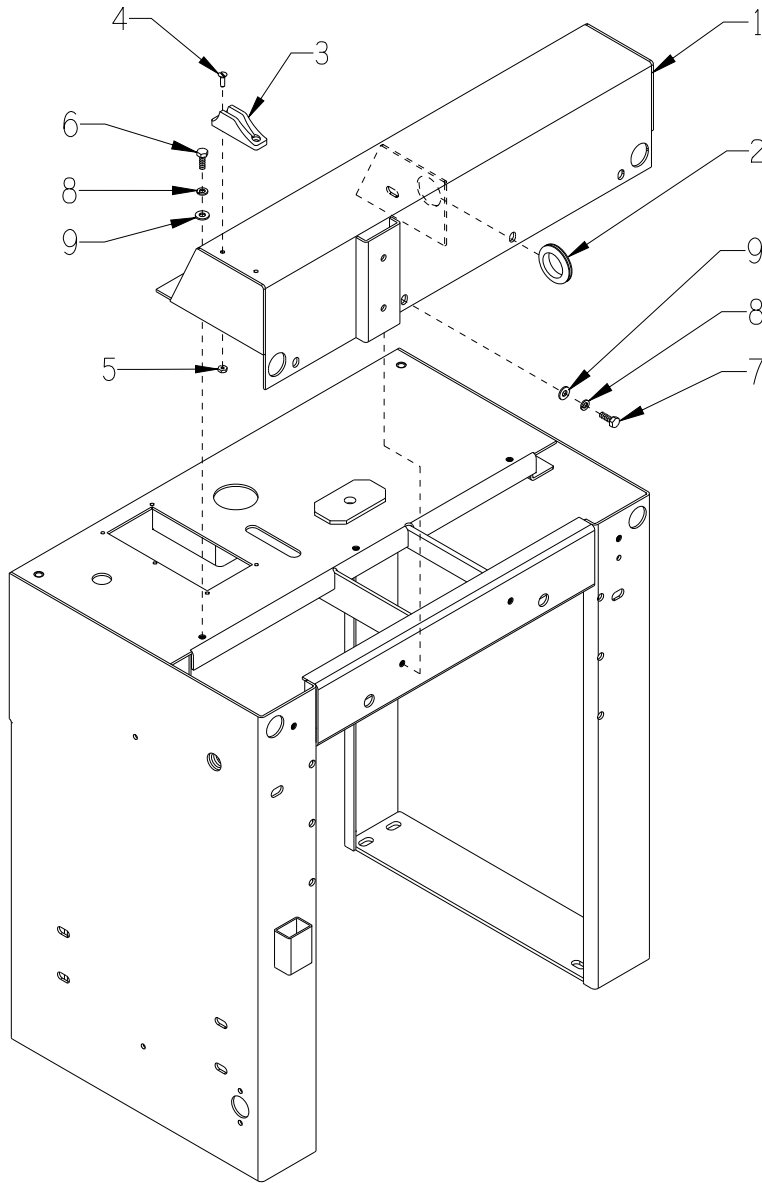
EdcoParts.com
888-634-4289
An iBuy Stores Company

PARTS LISTING - ILLUSTRATION 9: WATER PUMP GROUPING			
ITEM #	PART #	DESCRIPTION	QTY.
1	80021	CONN., SWIVEL FEM. 3/4HOSE X 1/2MPT	1
2	10711A	VALVE & HOSE CONNECTOR ASSY.	1
	10711	VALVE, BALL 1/2 FPT	1
3	10679	NIPPLE, HEX 1/2NPT (BRASS)	1
4	10734	ELBOW, STREET 1/2NPT X 45 (BLACK)	1
5	10680	BARB, 1/2HOSE X 1/2MPT (PLASTIC)	5
6	50069	CLAMP, HOSE, SAE #6, ADJ. TO 13/16	8
7	50532	HOSE, WATER 1/2"ID X 2"L	1
8	57170	STRAINER, NYLON T-STYLE 1/2FPT	1
9	50471	BARB ELBOW 90, 1/2HOSE X 1/2MPT	1
10	57168	HOSE, WATER 1/2"ID X 5-3/8"L	1
11	50470	PUMP, WATER, 12VDC, FLOJET QUAD (INCLUDES ITEM 12)	1
12	50469	PUMP QUAD PORT BARB ELBOW 1/2" (INCLUDED W/ PUMP, ITEM 11)	2
13	10905	SCREW, CAP 1/4-20 X 1-1/4	4
14	10602	WASHER, FLAT 1/4 SAE ZINC	8
15	10015	NUT, HEX LOCK 1/4-20 ZINC	4
16	10038	WASHER, LOCK 1/4 ZINC	4
17	10876	NUT, ACORN 1/4-20	4
18	57176	HOSE, WATER 1/2"ID X 7-5/8"L	1
19	10728	PIPE NIPPLE, CLOSE 1/2NPT (BLACK)	1
20	50525	PIPE TEE, WATER PRESS. SW. 1/2 NPT	1
21	51030	SWITCH, PRESSURE, 76061 2 N/C	1
22	50552	PIPE PLUG 1/2 NPT (BRASS)	1
23	50655	HOSE, WATER 1/2"ID X 20"L, SS-26	1
24	11565	CLAMP, LOOM, 5/8" (SAE SIZE 10) RUBBER PIECE REMOVED	1
25	10031	SCREW, CAP 1/4-20 X 1	1
26	10861	NUT, KEPS LOCK 1/4-20 ZINC	1
27	50447	FUSE & HOLDER, 10 AMP	1

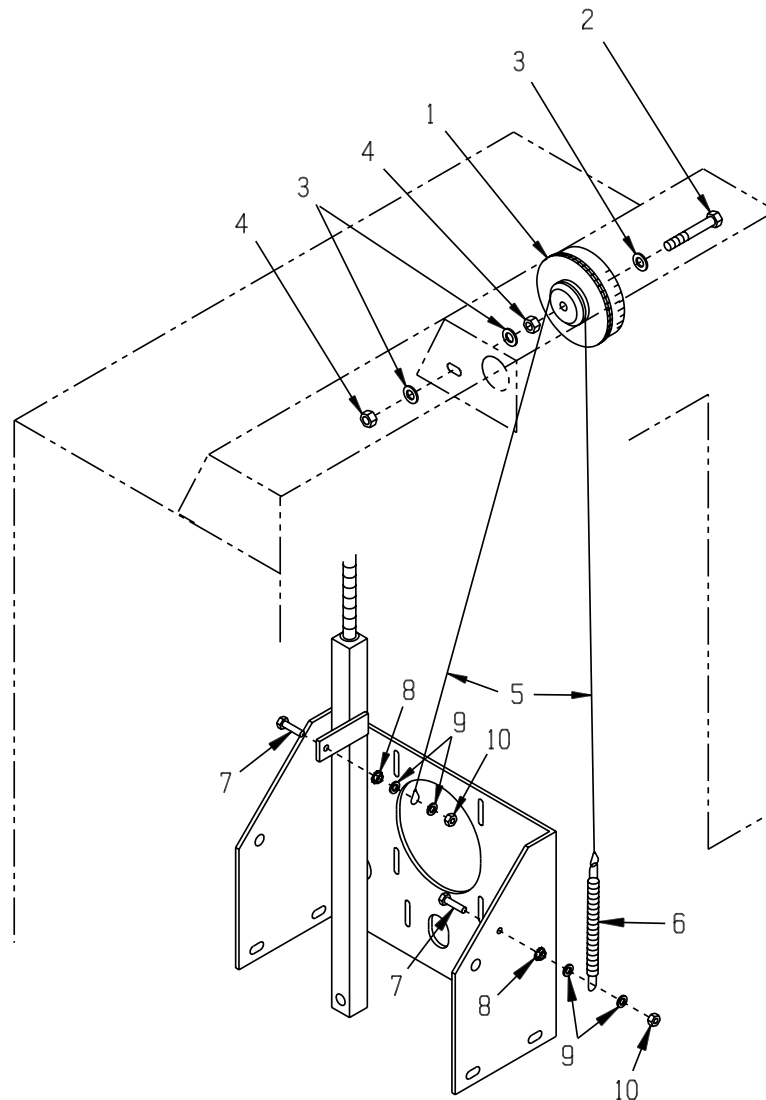
888-634-4289

An iBuy Stores Company

ILLUSTRATION 10: INSTRUMENT PANEL GROUPING



ITEM #	PART #	DESCRIPTION	QTY.
1	50651	INSTRUMENT PANEL, SS26-35K	1
2	57149	GROMMET 1-1/4ID X 1/8GRV. X 1-1/2GD	1
3	11591	ROPE CLEAT, NYLON JAM 3/16"-5/16"	1
4	11594	SCREW, MACHINE 10-32 X 5/8, SLT.FLT	2
5	10832	NUT, KEPS LOCK 10-32 ZINC	2
6	10018	SCREW, CAP 1/4-20 X 3/4	5
7	10031	SCREW, CAP 1/4-20 X 1	2
8	10038	WASHER, LOCK 1/4 ZINC	7
9	10602	WASHER, FLAT 1/4 SAE ZINC	7

ILLUSTRATION 11: BLADE DEPTH GAUGE GROUPING

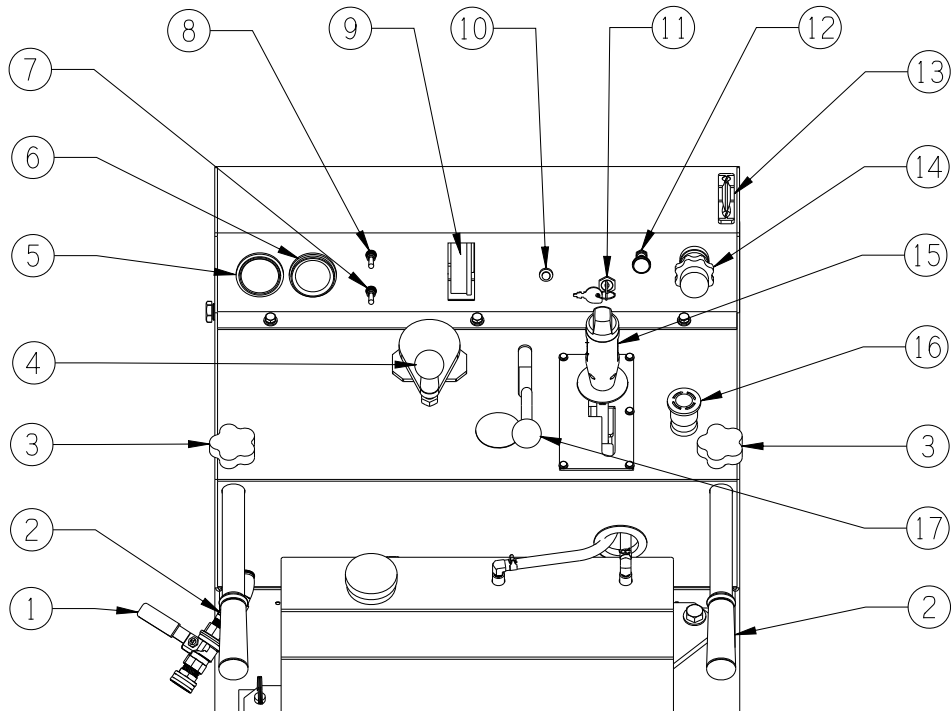
ITEM #	PART #	DESCRIPTION	QTY.
1	57132	WHEEL, DEPTH GAUGE	1
2	10336	SCREW, CAP 3/8-24 X 2-1/4	1
3	10025	WASHER, FLAT 3/8 SAE ZINC	3
4	10004	NUT, HEX LOCK 3/8-24 ZINC	2
5	57143	CABLE, DEPTH GAUGE 3/32 X 34"L	1
6	3636	SPRING, EXT. 6"L	1
7	10031	SCREW, CAP 1/4-20 X 1	2
8	10861	NUT, KEPS LOCK 1/4-20 ZINC	2
9	10602	WASHER, FLAT 1/4 SAE ZINC	4
10	10150	NUT, HEX NYLON LOCK 1/4-20 ZINC	2

EdcoParts.com

888-634-4289

An IBuy Stores Company

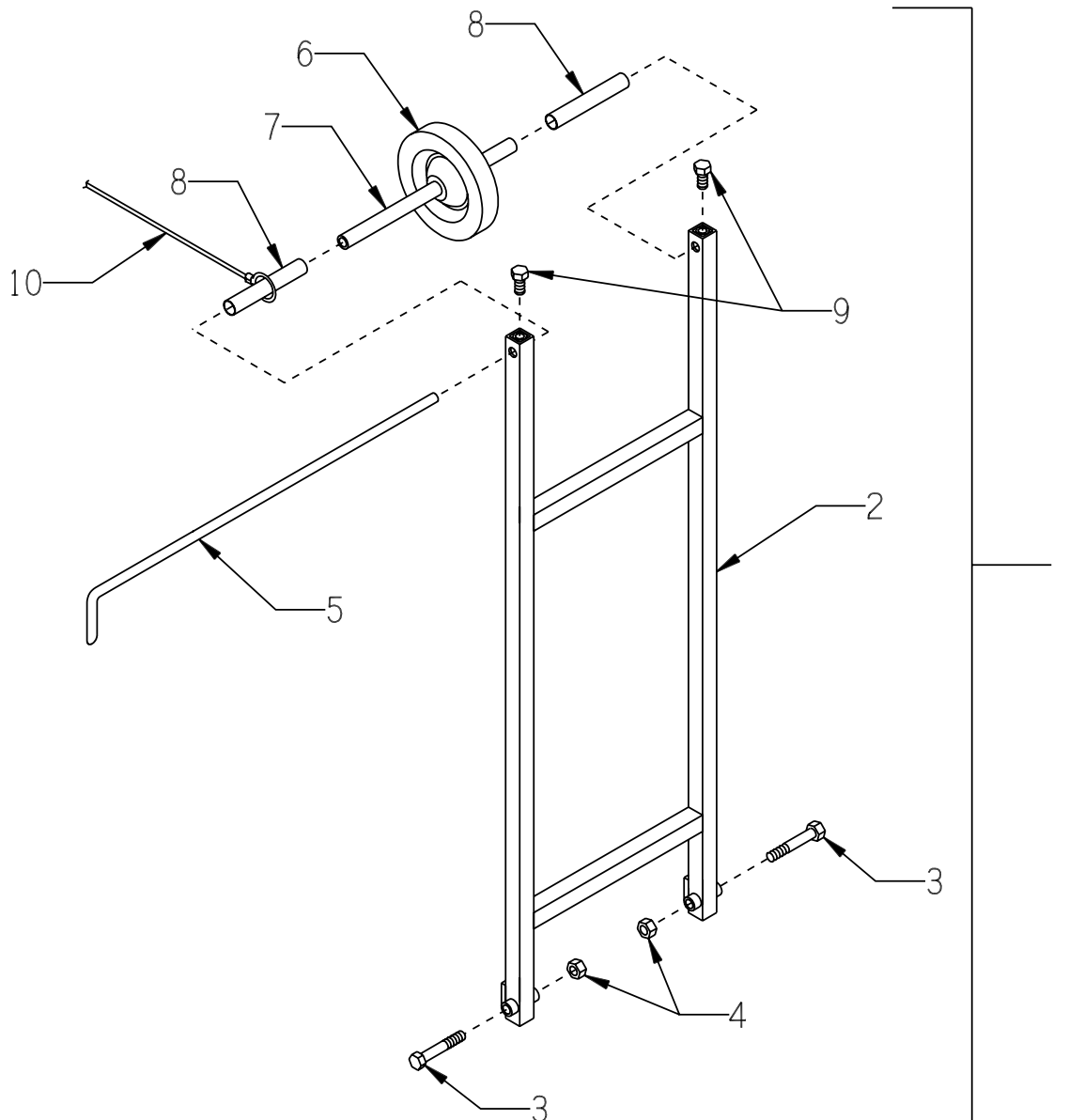
EQUIPMENT DEVELOPMENT COMPANY, INC.

ILLUSTRATION 12: OPERATING CONTROLS

ITEM #	PART #	DESCRIPTION	QTY.
1	-----	WATER HOOK-UP AND VALVE (ILLUS. 9)	1
2	-----	EXTENDABLE HANDLES (ILLUS. 1)	2
3	51230	HANDLE LOCK KNOB, STAR CLAMPING 3/8-16 X 1" STUD (ILLUS. 1)	2
4	-----	DEPTH CONTROL (ILLUS. 2)	1
5	10631	AMMETER YE2, 30 OR 60 AMP	1
6	10637	METER, HOUR 2-1/16"	1
7	10633	"WATER PUMP" SWITCH, TOGGLE SPST	1
8	10633	"BLADE SAVER" SWITCH, TOGGLE SPST	1
9	-----	DEPTH INDICATOR (ILLUS. 11)	1
10	15264	"LOW OIL INDICATOR" LAMP, OIL PRESSURE, RED	1
11	15266	"IGNITION" SWITCH, KEY, KOHLER 25 099 29-S	1
12	15129	"CHOKE" CABLE, CONTROL 72"	1
13	11591	ROPE CLEAT, NYLON JAM 3/16"-5/16" (ILLUS. 10)	1
14	50560	"THROTTLE" CABLE, VERNIER ADJ. LOCKING CONTROL	1
15	-----	DRIVE LEVER W/ BLADE LIFT/LOWER SWITCH (ILLUS. 4)	1
16	15275-G	SWITCH, E-STOP W/ GREEN N.O. CONTACT	1
		INCLUDES:	
	15275	PUSHBUTTON, TURN TO RELEASE E-STOP	1
	15276	MOUNTING ADAPTER, PUSHBUTTON	1
	15277	CONTACT ELEMENT, NO GREEN LM2TC10	1
17	-----	CLUTCH CONTROL LEVER (ILLUS. 5)	1

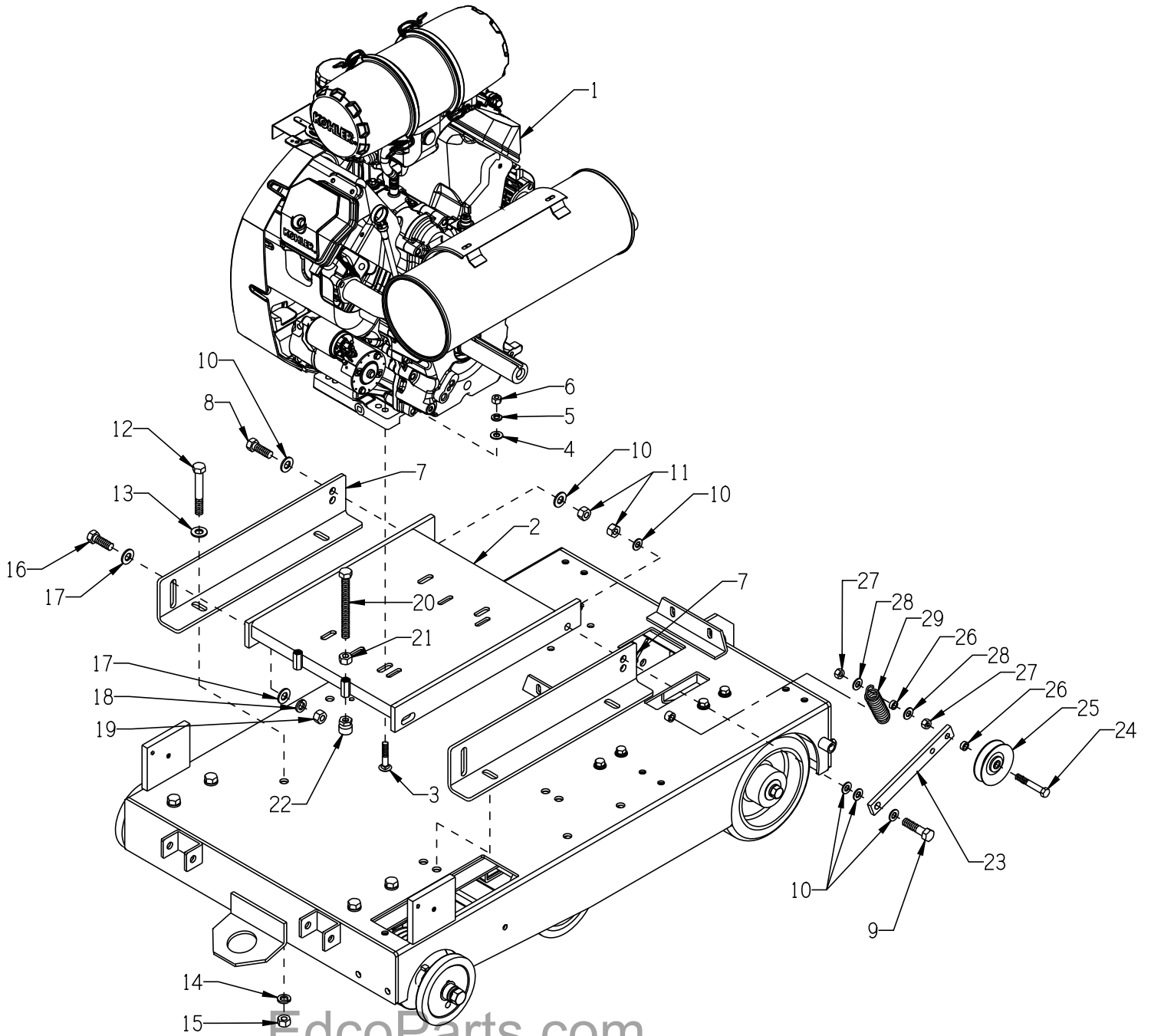
ILLUSTRATION 13: GUIDE BAR ASSEMBLY

E-SS2635K-PL-0116



ITEM #	PART #	DESCRIPTION	QTY.
1	57119A	GUIDE BAR ASSEMBLY (INCLUDES ITEMS 2 THRU 9)	1
2	57119	GUIDE BAR	1
3	10202	SCREW, CAP 1/2-20 X 3	2
4	10154	NUT, HEX NYLON LOCK 1/2-20 ZINC	2
5	50514	POINTER, FRONT 24-1/2"	1
6	50536	WHEEL 5 X 1-1/2 X 3/4" BORE	1
7	57120	AXLE TUBE, GUIDE WHEEL	1
8	57171	SPACER TUBE 5-1/16, GUIDE BAR WHEEL	2
9	10304	SCREW, CAP 1/2-20 X 1	2
10	50555	ROPE, GUIDE BAR (NOT INCLUDED W/ GUIDE BAR ASSY.)	1

**ILLUSTRATION 14:
ENGINE & MOUNT GROUPING**



EdcoParts.com

888-634-4289

An iBuy Stores Company

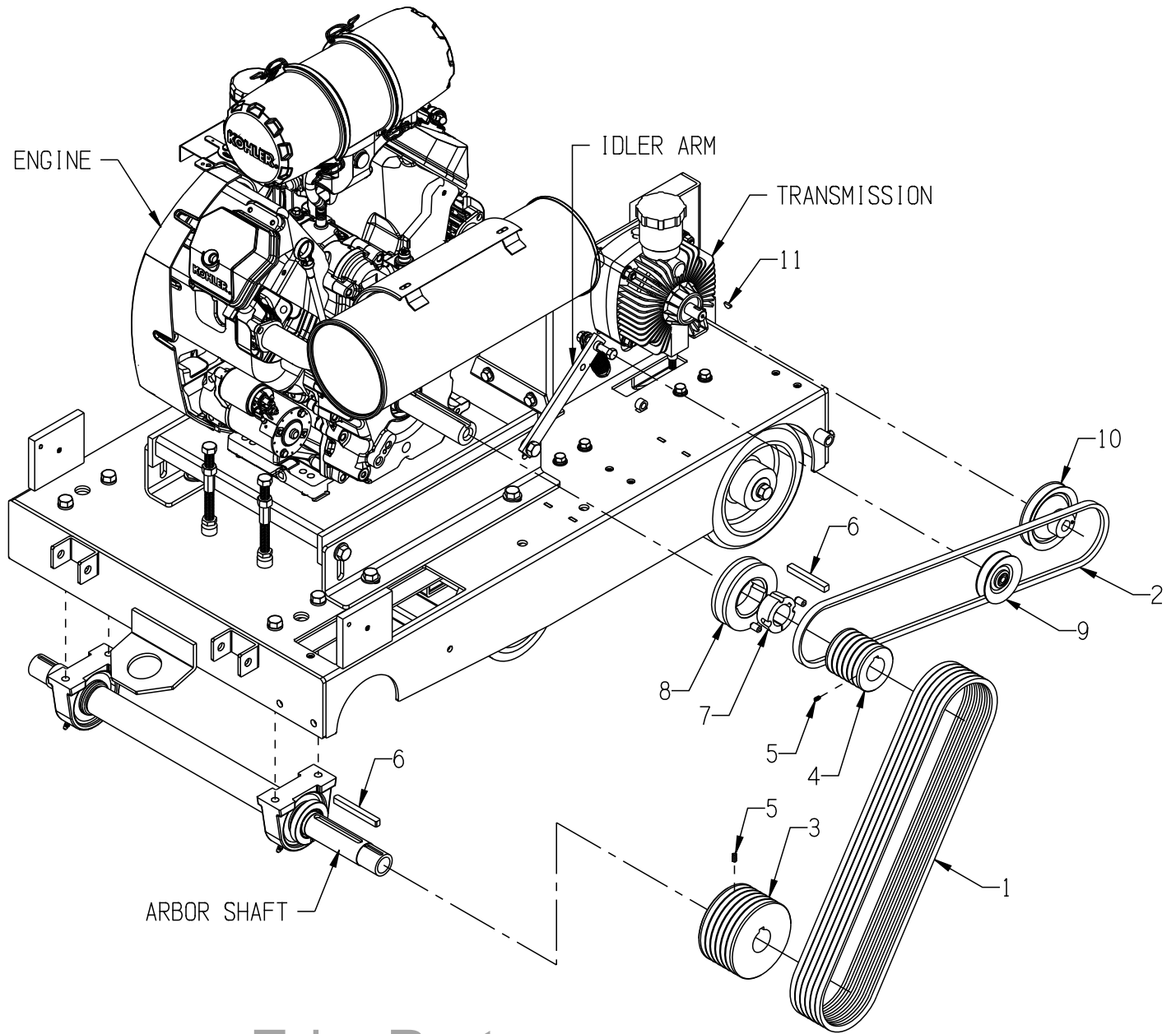
EQUIPMENT DEVELOPMENT COMPANY, INC.

PARTS LISTING - ILLUSTRATION 14: ENGINE & MOUNT GROUPING			
ITEM #	PART #	DESCRIPTION	QTY.
1	15070	ENGINE, KOHLER 35HP COMMAND PRO PA-CH980-3000	1
	15244	AIR FILTER REPLACEMENTS: ELEMENT, AIR FILTER - PRIMARY (OUTER)	1
	15245	ELEMENT, AIR FILTER - SECONDARY (INNER)	1
2	50506KS	MOUNT, GASOLINE ENGINE, SS-26	1
3	10364	BOLT, CARRIAGE 3/8-16 X 2 GRADE 5	4
4	10025	WASHER, FLAT 3/8 SAE ZINC	4
5	10811	WASHER, LOCK 3/8 ZINC	4
6	10404	NUT, HEX 3/8-16 ZINC	4
7	50507	BRACKET, ENGINE MOUNT, SS-26	2
8	10308	SCREW, CAP 1/2-20 X 1-1/2	1
9	10322	SCREW, CAP 1/2-20 X 2	1
10	10312	WASHER, FLAT 1/2 SAE ZINC	6
11	10205	NUT, HEX LOCK 1/2-20 ZINC	2
12	10324	SCREW, CAP 1/2-13 X 3-1/2	4
13	10312	WASHER, FLAT 1/2 SAE ZINC	4
14	10045	WASHER, LOCK 1/2 ZINC	4
15	10417	NUT, HEX 1/2-13 ZINC	4
16	10356	SCREW, CAP 1/2-13 X 1-1/2	2
17	10312	WASHER, FLAT 1/2 SAE ZINC	4
18	10045	WASHER, LOCK 1/2 ZINC	2
19	10417	NUT, HEX 1/2-13 ZINC	2
20	10373	BOLT, TAP 1/2-13 X 5 (FULL THREAD)	2
21	10417	NUT, HEX 1/2-13 ZINC	2
22	50710	TOGGLE PAD 7/8"D X 15/16"H X 1/2-13	2
23	50544	ARM, IDLER, SS-26	1
24	10393	SCREW, CAP 3/8-24 X 2-1/2	1
25	50115	IDLER PULLEY 3"OD X 1GR.AB X 3/8"B	1
26	10113	SPACER, STEEL 9/16OD X 3/8ID X 7/32	2
27	10004	NUT, HEX LOCK 3/8-24 ZINC	2
28	10025	WASHER, FLAT 3/8 SAE ZINC	2
29	50074	SPRING, EXT. 1"OD X 3-15/16	1

888-634-4289

An iBuy Stores Company

ILLUSTRATION 15: BELT DRIVE GROUPING



EdcoParts.com

888-634-4289

An iBuy Stores Company

PARTS LISTING - ILLUSTRATION 15: BELT DRIVE GROUPING			
ITEM #	PART #	DESCRIPTION	QTY.
1	10228 50498	BELT (ARBOR) SEE CHART 3VX-450 3VX-425	6
2	10284	BELT A-55 (TRANSMISSION)	1
3	50724 50725 10512 10511	SHEAVE (ARBOR) SEE CHART BELOW & ILLUS. 7, ITEM 5 5.30"OD X 6GR.3V X SK (REQUIRES BUSHING) BUSHING, SHEAVE SK X 1-7/16"BORE 4.80"OD X 6GR.3V X 1-7/16"B 3.65"OD X 6GR.3V X 1-7/16"B	1
4	10510	SHEAVE 2.8"OD X 6GR.3V X 1-7/16"B (ENGINE)	1
5	11854	SCREW, SET 10-32 X 1/2	8
6	10074	KEY 3/8SQ X 3-1/2	2
7	10531	BUSHING, TAPER-LOCK 1610 1-7/16"B	1
8	10528	SHEAVE 4.15"OD X 1GR.AB X TPR-LOCK	1
9	50115	IDLER PULLEY 3"OD X 1GR.AB X 3/8"B (SEE ILLUS. 14 , ITEM 25)	1
10	50062	SHEAVE, TRANS. 4"OD X 1GR. X .671"B (SEE ILLUS. 4 , ITEM 38)	1
11	50071	KEY, WOODRUFF 1/8 X 1/2 (#404)	1

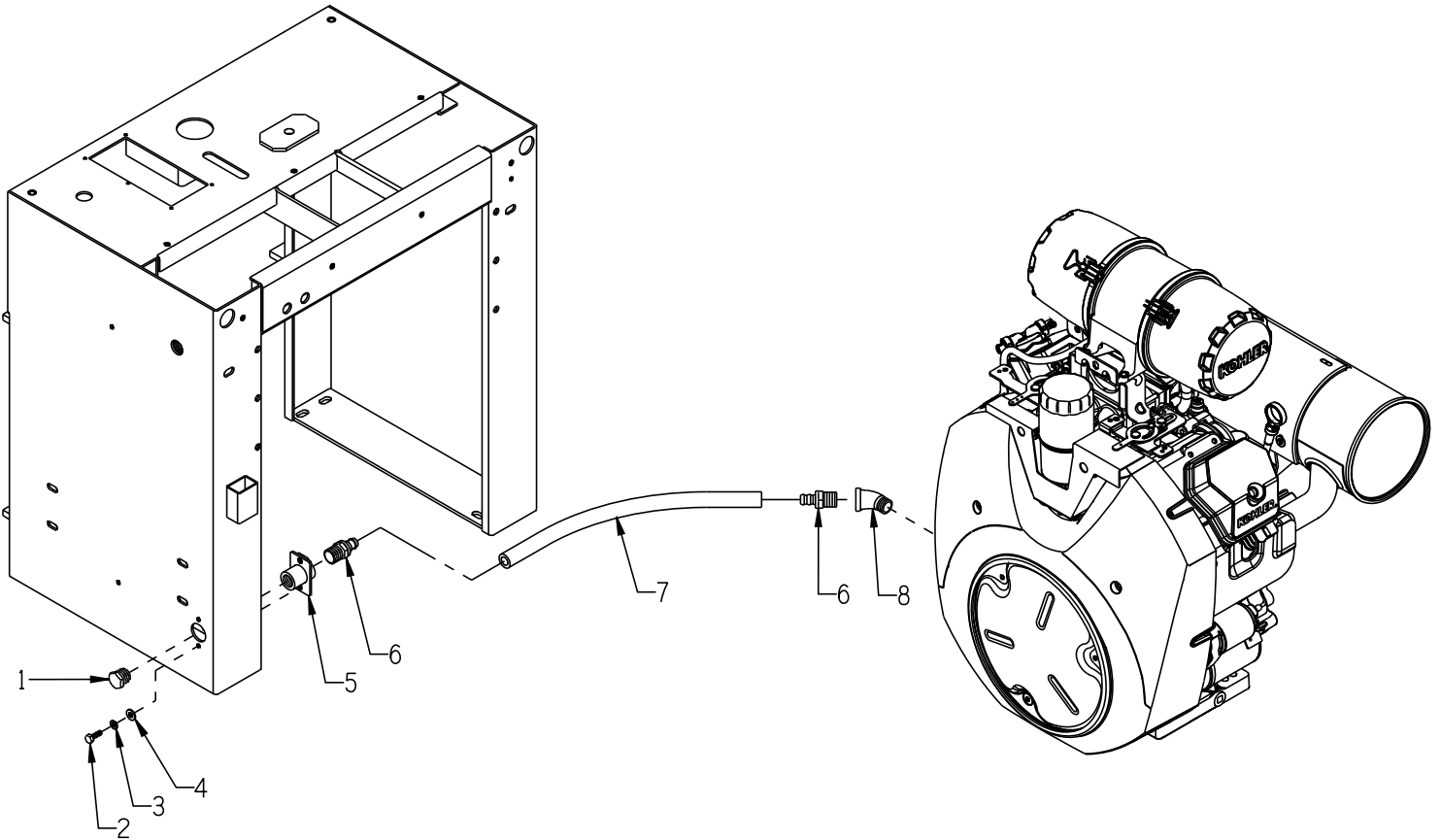
MODEL SS26-35K BELT DRIVE SPECIFICATION CHART							
ENGINE TYPE	ENGINE RPM	BLADE DIAMETER	BLADE SPEED (RPM)	ENGINE SHEAVE	ARBOR SHEAVE	ARBOR BELT (6 REQ'D.)	TRANSMISSION BELT
KOHLER GASOLINE CH980-3000 35 HP	3600	14" – 16"	2750	2.80" (10510)	3.65" (10511)	3VX425 (50498)	A55 (10284)
		18" – 20"	2100		4.80" (10512)	3VX450 (10228)	
		24" – 26"			5.30" (50724)		
		30"	1900				

888-634-4289

An iBuy Stores Company

PARTS LISTING - ILLUSTRATION 16: FUEL TANK GROUPING			
ITEM #	PART #	DESCRIPTION	QTY.
1	50504	TANK, FUEL 6.4 GAL. SS-26	1
2	61081	CAP, FUEL TANK W/ VITON GASKET	1
3	11650	PIPE PLUG 1/8 NPT (BRASS)	1
4	50309	TUBE, FUEL PICK-UP 19-3/4", SS26	1
5	10771	BARB ELBOW 90, 1/4HOSE X 1/8MPT	1
6	10763	CLAMP, HOSE, SPRING-BAND 7/16" RED	6
7	10948	TUBING, EVAP LOW PERM. FUEL 1/4"ID X 44"L	3.67 FT.
8	10948	TUBING, EVAP LOW PERM. FUEL 1/4"ID X 15"L	1.25 FT
9	10308	SCREW, CAP 1/2-20 X 1-1/2	2
10	10312	WASHER, FLAT 1/2 SAE ZINC	6
11	10205	NUT, HEX LOCK 1/2-20 ZINC	2
12	10125	PIN, DETENT RING 1/2 X 1-1/2 E.L.	1
13	51253	GROMMET 1-45/64ID X 1/8GRV. X 2GD	1
14	57148	GROMMET 3/8ID X 1/8GRV. X 5/8GD (I.D. OPENED UP FOR FUEL LINE)	2
15	11565	CLAMP, LOOM, 5/8" (SAE SIZE 10)	1
16	51298	CANISTER, CARBON 468935A FOR KOHLER	1
17	10982	TIE, CABLE, BLACK NYLON 11-1/4"	2
18	10834	SCREW, CAP 1/4-20 X 1/2 ZINC	2
19	10451	WASHER, LOCK, INT. TOOTH 1/4"	2
20	10762	CLAMP, HOSE, SPRING-BAND 3/8" GREEN	2
21	15259	TUBING, EVAP LOW PERM. FUEL 3/16"ID X 21"L	1.75 FT.
22	10948	TUBING, EVAP LOW PERM. FUEL 1/4"ID X 18"L	1.5 FT.
23	15116	FILTER, FUEL 1/4" IN LINE	1
24	11566	CLAMP, LOOM, 1-5/8"	1
25	10018	SCREW, CAP 1/4-20 X 3/4	1
26	10602	WASHER, FLAT 1/4 SAE ZINC	2
27	10861	NUT, KEPS LOCK 1/4-20 ZINC	1

ILLUSTRATION 17: OIL DRAIN GROUPING

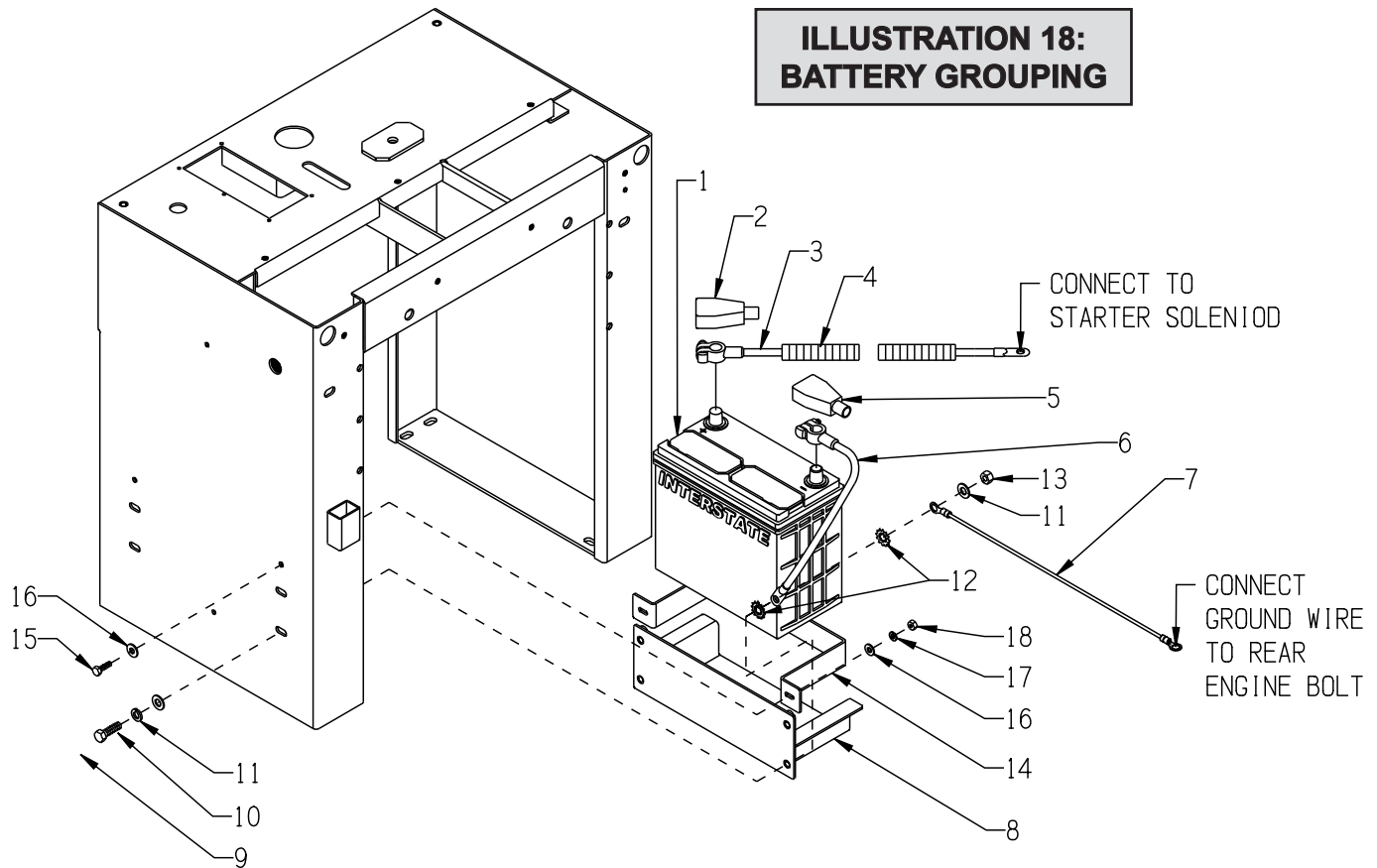


ITEM #	PART #	DESCRIPTION	QTY.
1	50552	PIPE PLUG 1/2 NPT (BRASS)	1
2	10018	SCREW, CAP 1/4-20 X 3/4	2
3	10038	WASHER, LOCK 1/4 ZINC	2
4	10602	WASHER, FLAT 1/4 SAE ZINC	2
5	50604	BRACKET, OIL DRAIN, SS26	1
6	80061	BARB, PUSH-ON 1/2HOSE X 1/2MPT	2
7	50659	HOSE, PUSH-ON 1/2"ID X 16-1/2"L	1
8	10734	ELBOW, STREET 1/2NPT X 45 (BLACK)	1

888-634-4289

An iBuy Stores Company

ILLUSTRATION 18: BATTERY GROUPING



ITEM #	PART #	DESCRIPTION	QTY.
1	50321	BATTERY 12 VOLT/500 CCA(POST TERM.) INTERSTATE MT-51R	1
2	10928	INSULATOR, BAT.TERM.POST (RED)	1
3	57055	CABLE, BATTERY 4GA. X 53" (RED)	1
4	50739	LOOM, FLEX 5/8 X 52"L, SS26-35K	1
5	10929	INSULATOR, BAT.TERM.POST (BLACK)	1
6	50323B	CABLE, BATTERY 4GA. X 12" (BLACK)	1
7	50740	WIRE, GROUND, 10GA X 16", SS26-35K	1
8	50677	TRAY, BATTERY, SS26-35K/15B NOTE: TRAY FOR INTERSTATE MT-51R BATTERY.	1
9	10333 10907	SCREW, CAP 3/8-16 X 1-1/4 SCREW, CAP 3/8-16 X 3/4	1 3
10	10811	WASHER, LOCK 3/8 ZINC	4
11	10025	WASHER, FLAT 3/8 SAE ZINC	5
12	11862	WASHER, LOCK, INT./EXT. TOOTH 3/8"	2
13	10404	NUT, HEX 3/8-16 ZINC	1
14	50678	STRAP, BATTERY, SS26-35K/15B NOTE: STRAP FOR INTERSTATE MT-51R BATTERY.	1
15	10031	SCREW, CAP 1/4-20 X 1	2
16	10602	WASHER, FLAT 1/4 SAE ZINC	4
17	10038	WASHER, LOCK 1/4 ZINC	2
18	10015	NUT, HEX LOCK 1/4-20 ZINC	2

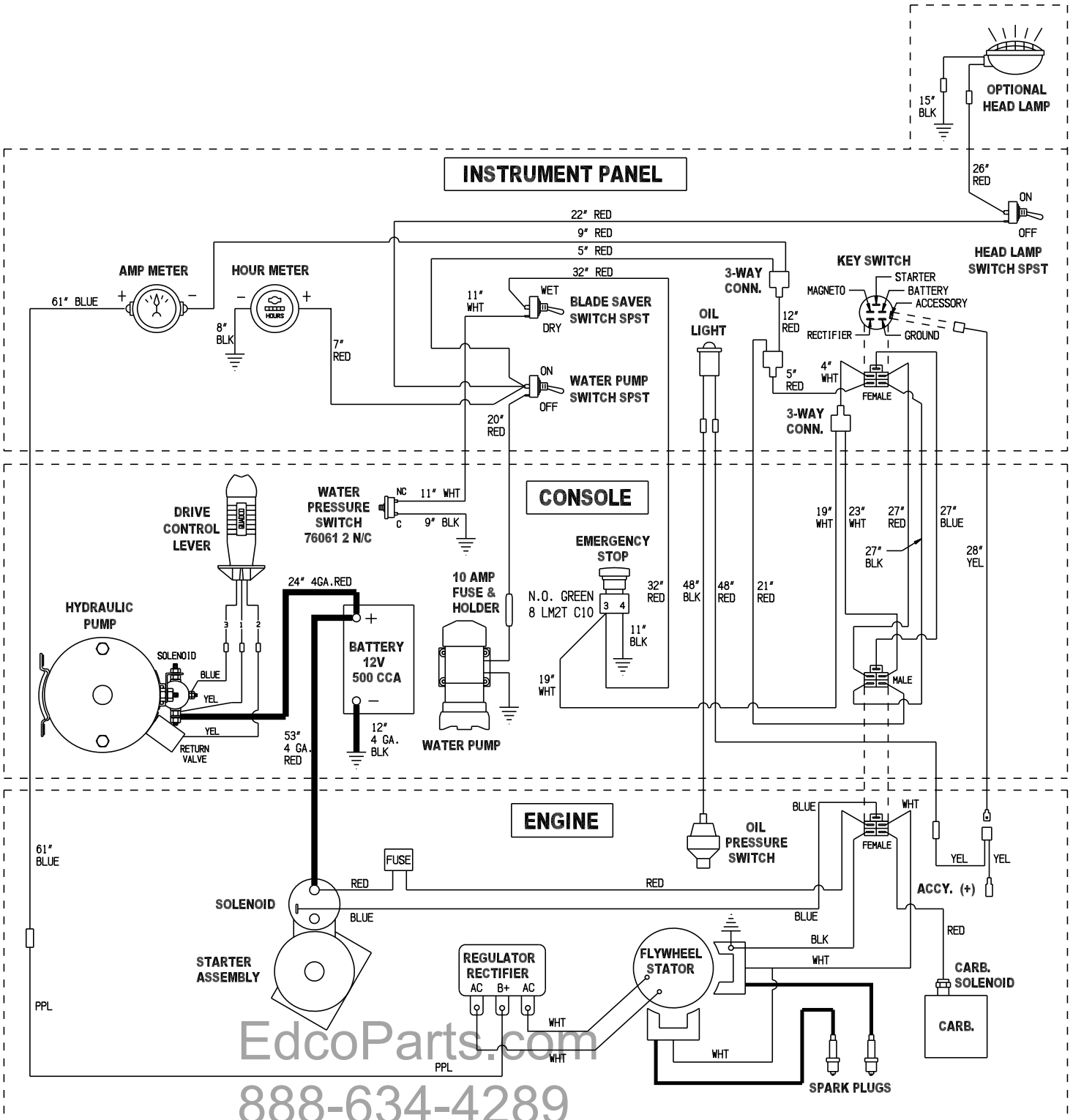
EdcoParts.com

888-634-1229

An IBuy Stores Company

EQUIPMENT DEVELOPMENT COMPANY, INC.

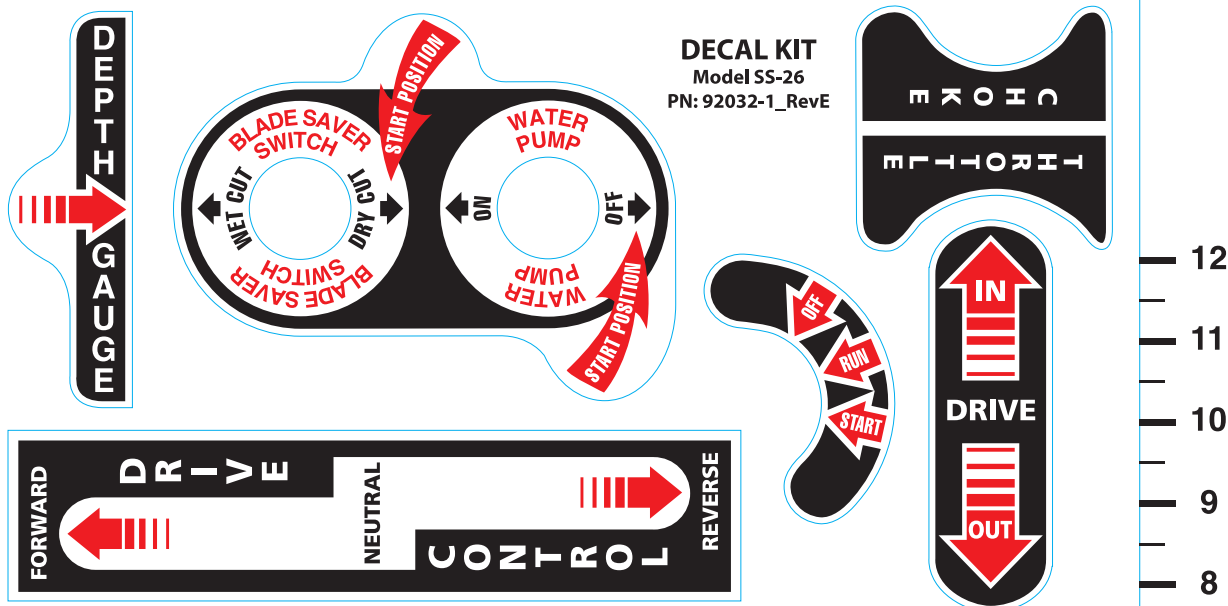
WIRING DIAGRAM FOR SS26-35K



EdcoParts.com
888-634-4289

An iBuy Stores Company

DECAL SHEET P/N 92032-1



GUIDE TO OPERATION

IMPORTANT!

Before Starting Engine Read and Understand:

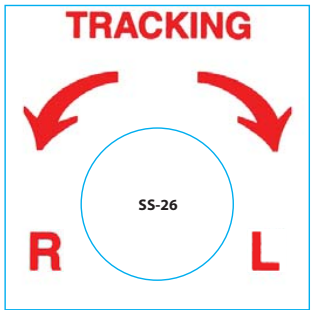
- Operators Instruction Manual
- Rx for Concrete Saws
- Engine Owner's Manual



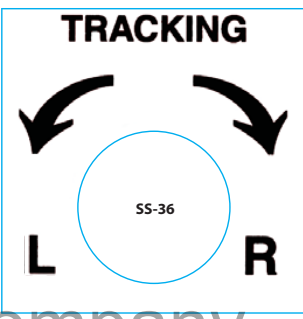
- 1 THROTTLE:** Turn knurled knob counter-clockwise to unlock throttle cable. To adjust rpm push red button and pull (or twist knob). Pull out to increase rpm or push in to decrease rpm. Turn knurled knob clockwise to lock cable in positions when selected rpm is reached. Machine should always be ran at full throttle.
- 2 CHOKE:** Use to assist in starting engine in cold weather.
- 3 IGNITION:** Three positions - OFF-RUN-START. Turn to START, hold until engine starts, then release - automatic return to RUN. Turn to OFF position to STOP engine.
- 4 DEPTH INDICATOR:** Displays depth at which blade is cutting. Step cut for cuts deeper than 3".
- 5 SPEED CONTROL LEVER:** This saw is equipped with a hydrostatic transmission, which permits infinite speed control and acts as a dynamic brake when lever is in neutral position. Slowly moving lever forward causes the saw to move forward. Pulling the lever back causes the saw to move backward.
- 6 BLADE LIFT/LOWER CONTROL:** A toggle switch located on top of (5) Speed Control Lever hydraulically controls the raising and lowering of the blade.
- 7 HYDRAULIC OIL FILL:** Use Dextron III (Transmission Fluid)
- 8 INSTRUMENT GAUGES:** Ammeter, Hour Meter.
- 9 BLADE SAVER SWITCH:** To start saw: select "Dry Cut" position. To begin cutting: open water valve, select "Wet Cut" position. DO NOT RUN PUMP DRY.
- 10 WATER PUMP SWITCH:** Activate when using cooling water from tank or source other than city water under pressure.
- 11 DEPTH CONTROL:** Lower blade until it touches slab. Adjust (4) Depth Indicator Dial to "zero". Crank depth control knob counter-clockwise to set blade depth stop. Crank depth control clockwise to raise blade depth stop. DO NOT USE DEPTH CONTROL TO RAISE BLADE OUT OF CUT - use blade lift/lower control switch.
- 12 FREE WHEELING CLUTCH:** Push forward to engage clutch pull back to disengage - saw may be moved manually when clutch is disengaged.
- 13 HANDLE LOCKS:** Adjust handle length for operator comfort. Retighten after adjustment.
- 14 TRACKING:** Saw is preset at the factory. If saw pulls left or right while cutting contact your rental agent for adjustment. See operators manual for instructions.
- 15 LOW OIL LIGHT INDICATOR**

DECAL SHEET P/N 92032-2

DECAL KIT Model SS-26 Model SS-36 PN: 92032-2 RevB



CHECK OIL DAILY



DECAL SHEET P/N 92032-3

P/N 92032-3 RevC

SS-26

14x17 Sheet

⚠ DANGER
 BEFORE CUTTING INTO ANY SURFACE,
 INSURE THERE ARE NO BURIED GAS,
 ELECTRICAL, HIGH PRESSURE AIR,
 SEWER OR WATER LINES

**WATER
HOOKUP**

GASOLINE



YOU MUST READ OPERATOR'S INSTRUCTION MANUAL BEFORE OPERATING

Frederick, Maryland

 USA With Pride

MADE IN

 U. S. A.

EMERGENCY PUSH TO STOP

TURN TO RELEASE

DEPTH CONTROL

DN UP

exceeds 85dBA



LOW OIL

PRE-HEAT FOR 3 SECONDS



⚠ CAUTION
 When Larger Blade and Guard
 Is Installed, Belt Drive **MUST**
 Be Changed to Proper Size.
 See Owners Manual.
**FAILURE TO COMPLY COULD RESULT
 IN SERIOUS BODILY INJURY**



CALIFORNIA PROPOSITION 65 WARNING
 The engine exhaust from this product contains
 chemicals known to the State of California to cause
 cancer, birth defects or other reproductive harm.

**SELF-PROPELLED
SAWS**

**SCAN FOR
TRAINING
MATERIAL**

DEPTH CONTROL

DN UP

⚠ CAUTION
**DISCONNECT ELECTRICAL POWER
SUPPLY OR SPARK PLUG**
 To prevent injury when servicing or
 changing blades or accessories

YOU MUST READ OPERATOR'S INSTRUCTION MANUAL BEFORE OPERATING

DIESEL FUEL