



# SSD

DIESEL

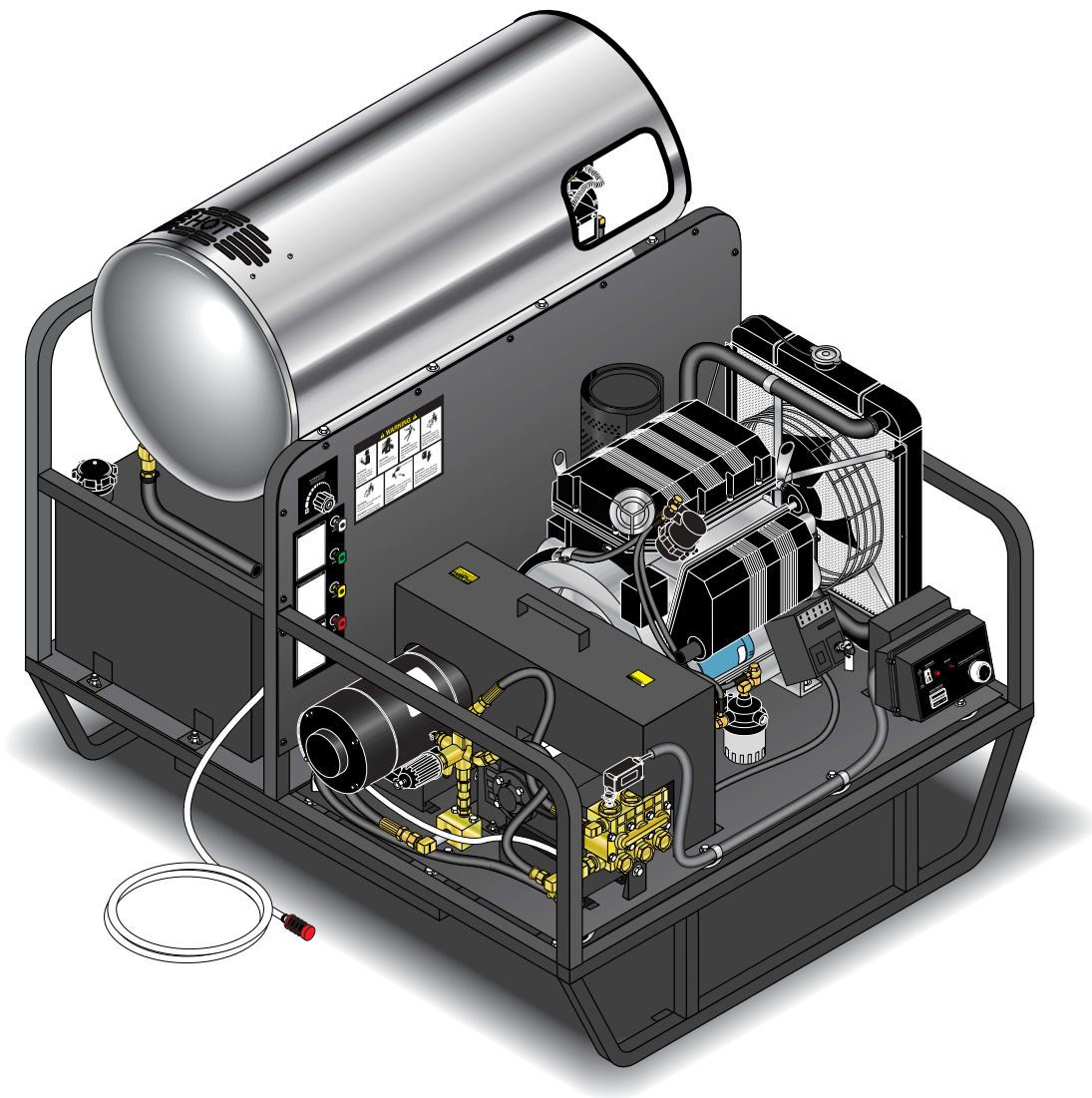
# OPERATOR'S MANUAL

---

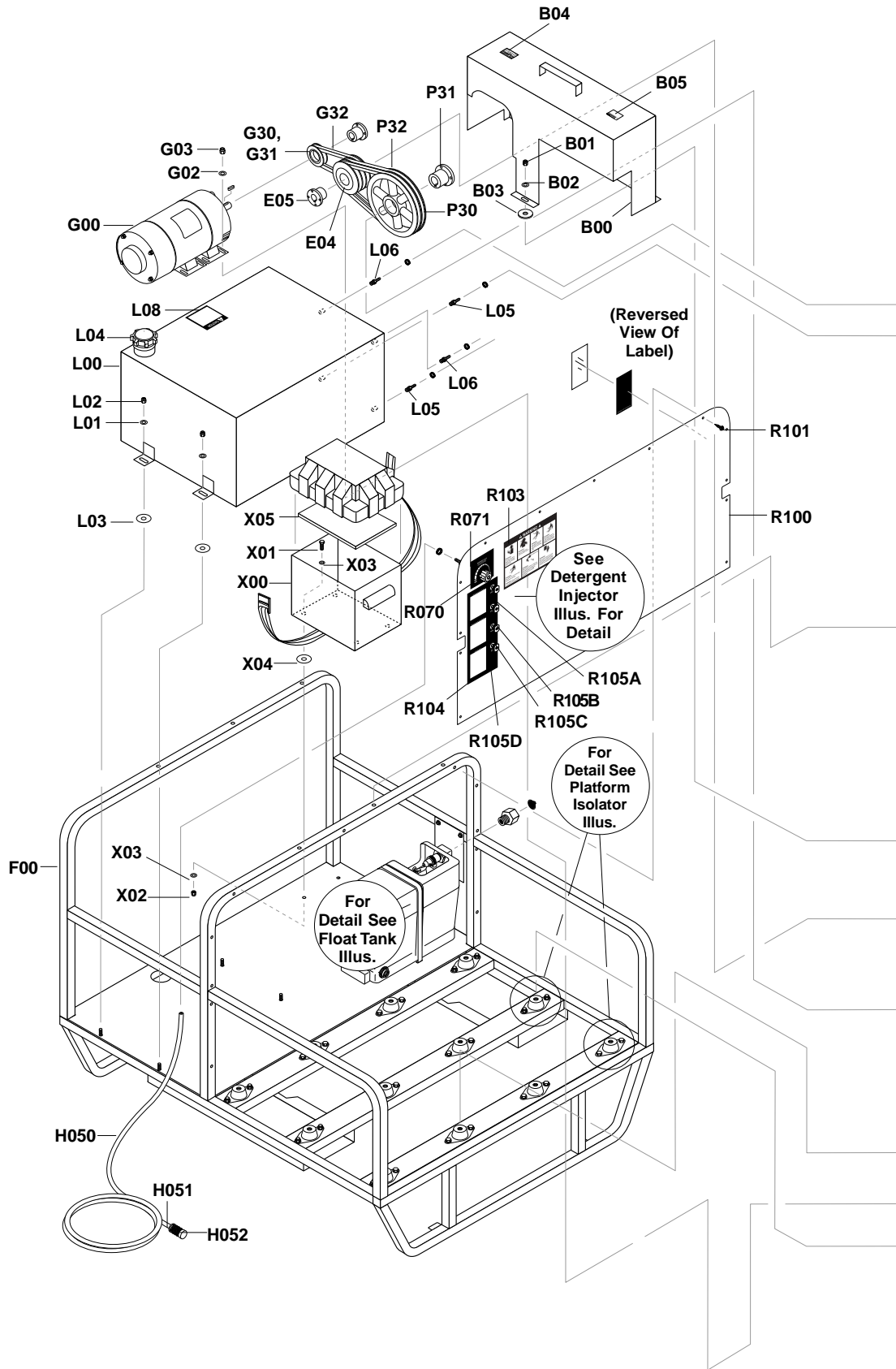
■ SSD-503067E/G

■ SSD-503061E/G

---



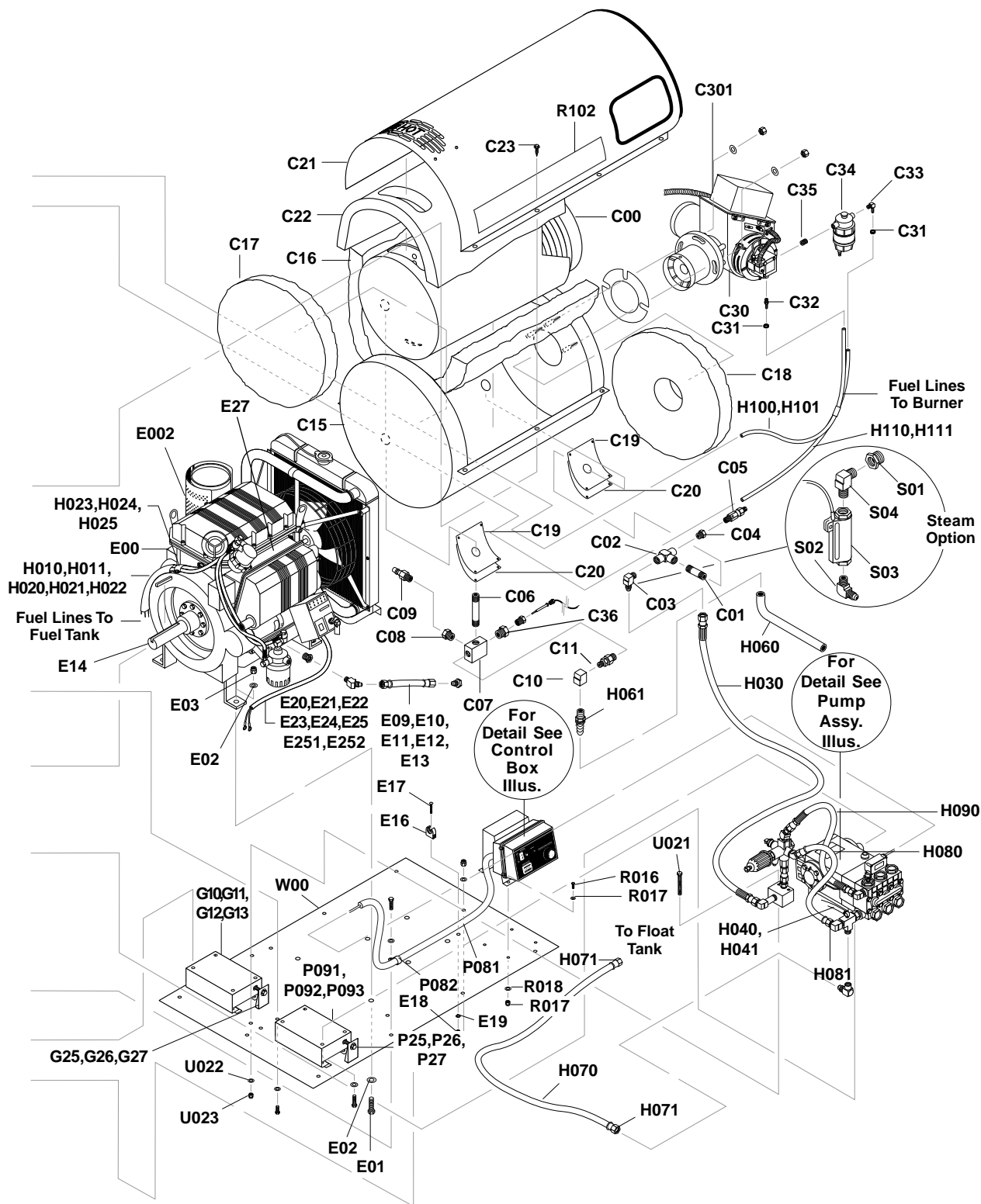
# EXPLODED VIEW



## LEGEND

- |                    |                 |                    |              |
|--------------------|-----------------|--------------------|--------------|
| G = Generator      | L = Fuel Tank   | B = Beltguard      | U = Unloader |
| R = Controls       | F = Frame       | H = Hose           | P = Pump     |
| E = Engine         | X = Battery Box | W = Power Platform | C = Coil     |
| N = Final Assembly | T = Float Tank  |                    |              |

# EXPLODED VIEW



## EXPLODED VIEW PARTS LIST

ITEM	PART NO.	DESCRIPTION	QTY	ITEM	PART NO.	DESCRIPTION	QTY
B00	95-07200077	Belt Guard, Diesel SS (503067E/G, 603567E/G)	1	C33	2-1089	Hose Barb, 1/4" Barb x 1/4" Pipe, 90°	1
	95-07200080	Belt Guard, 12VDC Diesel SS (503067E, 603567E)	1	C34	2-99050	Filter, Fuel/H <sub>2</sub> O/Oil Separator	1
B01	90-2002	Nut, 3/8" ESNA, NC	3	C35	2-1003	Nipple, 1/4" Hex	1
B02	90-4002	Washer, 3/8", SAE, Flat	3	C36	2-00742	Adapter, 1/2" x 1/2" Pipe STL	1
B03	2-0108	Bumper Pad, Engine	2	E00	5-0405	Engine, Lombardini Diesel, 15 HP (503067E, 503067E/G)	1
B04	10-02025A	Label, Hot/Caliente w/Arrows Warning	1		5-0407	Engine, Lombardini Diesel, 24 HP (603567E, 603567E/G)	1
B05	10-02028	Label, Warning-Exposed Pulleys	1	E002	79-11465813800	Exhaust Deflector (603567E/G, 603567E)	1
C00	95-07200055	Coil, Rodless	1	E01	90-101810	Bolt, 3/8" x 1-1/2", HH NC GRD 8, Zinc	4
C01	2-000891	Nipple, 1/2" x 2-1/2", Galvanized SCH 80	1	E02	90-4002	Washer, 3/8", SAE, Flat	9
C02	2-0036	Tee, 1/2" Female, Steel Pipe	1	E03	90-2002	Nut, 3/8" ESNA, NC	4
C03	2-0054	Elbow, 1/2" JIC, 1/2", 90°	1	E04		Pulley, See Parts Specifications Pages 32-33	
C04	2-00681	Bushing, 1/2" x 3/8", Steel	1	E05		Bushing, See Parts Specifications Pages 32-33	
C05	2-3245	Valve, Safety Relief, 4500 PSI	1	E051	90-1007	▲ Bolt, 5/16" x 1", NC HH	3
C06	2-00101	Nipple, 1/2" x 4", Galv. SCH 80	1	E09	2-11065	Adapter, M18-1.5 x 3/8" FNPT	1
C07	95-07101226	Block, Discharge, Brass, 1/2" x 1/2"	1	E10	2-0051	Nipple, 1/2" JIC, 3/8" FNPT	1
C08	2-00681	Bushing, 1/2" x 3/8", Steel	1	E11	4-0210000	Hose, 1/2" Push-On	2 ft.
C09	2-2007	Nipple, 3/8" x 3/8" NPT ST Male	1	E12	2-1105	Swivel, 1/2" Fem, Push-On	2
C10	2-1019	Elbow, 3/8" Female	1	E13	2-1050	Plug, 1/2" JIC, Flare, 639F-8	1
C11	2-3409	Disk, Rupture Assy, 7000 PSI	1	E14	74-9997832	Shaft, Lombardini LDW602/903	1
C15	95-07200012	Weldment, Bottom Wrap, SS	1	E15	74-9170104	▲ Deflector, Exhaust (503067E, 503067E/S)	1
C16	7-01430	Insulation, Blanket, No Foil	1	E16	2-9013	Clamp, 1/2" Ro-Clip, Kleinhuis	1
C17	7-0140	Insulation, Front Head, No Hole	1	E17	90-1994	Screw, 10/32" x 1-1/4" RH, SL, Black	1
C18	7-0141	Insulation, Burner Head, w/Hole	1	E18	90-017	Nut, 10/32" KEPS	1
C19	7-0144	Gasket, Burner Plate	2	E19	90-4000	Washer, 1/4", Flat, SAE	1
C20	95-07121113	Insulation Retainer	2	E20	6-0117	Wire, THWN, 6 Gauge, Red	6.7 ft.
C201	90-2990	▲ Screw, SS #10 HH Tek	8	E21	6-0118	Wire, THWN, 6 Gauge, Black	5.8 ft.
C21	95-07200010	Top Wrap, SS	1	E22	6-0503	Terminal, Ring Tongue	2
C211	90-40021	▲ Washer, 3/8", SAE, SS	4	E23	6-05030	Terminal, Ring Tongue	2
C22	7-01484	Insulation/Blanket, Die-Cut 28	1	E24	6-05101	Connector, Battery Post	2
C23	90-19959	Screw, 3/8" x 1" HX Wash Head	8	E25	7-0139	Insulation, Fiber Sleeving, 1/2"	3.5 ft.
C30		Burner Assembly, See Spec's Pages 32-33		E251	2-9016	Clamp, Round, 0.56 ID	3
C301	6-0516	Strain Relief, 1/2" Metal, Two Screw	1	E252	90-300210	Screw, #14 x 1", TEK, Black, Zinc	3
C31	2-9040	Clamp, Hose, UNI .46 - .54	4	E26	74-5000004	▲ Kit, Pressure Switch, Oil Dual Port (503061E, 503067E, 603567E)	1
C32	2-10893	Hose Barb, 1/4" Barb x 1/4" ML Pipe	1	E27	10-0624	Label, RPM Factory Set	1
				F00	95-07200075	Frame Assy, 24 HP, Diesel	1
				G00	6-0601	Generator, 2FSM2PC-1/A, WINC (503067E/G, 603567E/G)	1

**LEGEND**

G = Generator	L = Fuel Tank	B = Beltguard	U = Unloader
R = Controls	F = Frame	H = Hose	P = Pump
E = Engine	X = Battery Box	W = Power Platform	
N = Final Assembly	T = Float Tank		

# EXPLODED VIEW PARTS LIST

ITEM	PART NO.	DESCRIPTION	QTY	ITEM	PART NO.	DESCRIPTION	QTY
G01	90-1016	▲ Bolt, 3/8" x 1", NC HH (503067E/G, 603567E/G)	4	H100	4-02100000	Hose, 1/4", Push-On, Fuel Line	1.6 ft.
G02	90-4002	Washer, 3/8", SAE, Flat (503067E/G, 603567E/G)	8	H101	2-9000	Clamp, Screw #4	2
G03	90-2002	Nut, 3/8", ESNA, NC (503067E/G, 603567E/G)	4	H110	4-02100000	Hose, 1/4", Push-On, Fuel Line	2.1 ft.
G10	95-07200009	Weldment, Pump/General Rail (503067E/G, 603567E/G)	1	H111	2-9000	Clamp, Screw, #4	2
G11	90-1016	▲ Bolt, 3/8" x 1", NC HH (503067E/G, 603567E/G)	3	L00	95-07200081	Fuel Tank Assy, 20 Gal. MS	1
G12	2-011981	▲ Washer, Snubbing (503067E/G, 603567E/G)	3	L01	90-4001	Washer, 5/16", Flat, SAE	4
G13	90-4009	▲ Washer, 3/8", Lock, Split Ring (503067E/G, 603567E/G)	3	L02	90-2001	Nut, 5/16", ESNA, NC	4
G25	90-10220	Bolt, 3/8" x 3-1/2", TAP (503067E/G, 603567E/G)	1	L03	2-0108	Bumper Pad, Engine	4
G26	90-4002	Washer, 3/8", SAE, Flat (503067E/G, 603567E/G)	4	L04	2-01153	Cap, Fuel Tank, Plastic	1
G27	90-2007	Nut, 3/8", Hex, NC (503067E/G, 603567E/G)	2	L05	2-1088	Hose Barb, 1/4" Barb x 1/8" ML Pipe, 90°	3
G30	Pulley, See Parts Specifications Pages 32-33			L06	2-10893	Hose Barb, 1/8" Barb x 1/8" MPT, 90°	1
G31	▲ Bushing, See Parts Spec's Pages 32-33			L07	2-1046	▲ Plug, 1/4" Countersunk	1
G32	Belt, See Parts Specifications Pages 32-33			L08	10-020110	Label, Use Only Kerosene	1
H010	4-02100001	Hose, 3/16", Push-On, Fuel Line	4 ft.	P081	7-0139	Insulation, Fiber Sleeving, 22"	1
H011	2-9000	Clamp, Screw, #4	2	P082	2-9016	Clamp, Round, 0.56 ID	2
H020	4-02100000	Hose, 1/4", Push-On, Fuel Line	3.3 ft.	P091	90-1016	▲ Bolt, 3/8" x 1", NC HH	3
H021	2-9000	Clamp, Screw, #4	2	P092	2-011981	▲ Washer, Snubbing	3
H022	7-0139	Insulation, Fiber Sleeving, 1/2" x 2.5 ft.		P093	90-4009	▲ Washer, 3/8" Lock, Split Ring	3
H023	2-9016	Clamp, Round, 0.56 ID	1	P25	90-10220	Bolt, 3/8" x 3-1/2", Tap	1
H024	90-1030	Bolt, 8mm x 16mm Hex Head	1	P26	90-4002	Washer, 3/8", SAE, Flat	4
H025	90-4008	Washer, 5/16", Lock, Split Ring	1	P27	90-2007	▲ Nut, 3/8" Hex, NC	2
H030	4-02047762	Hose, 3/8" X 62", 2 Wire, Pressure	1	P30	Pulley, See Parts Specifications Pages 32-33		
H040	4-020900000	Hose, 1/4" x 1/2", Braided Vinyl	4 ft.	P31	Bushing, See Parts Specifications Pages 32-33		
H041	2-9040	Clamp, Hose, UNI .46 - .54	2	P32	Belt, See Parts Specifications Pages 32-33		
H050	4-02080000	Tube, 1/4" x 1/2", Clear Vinyl	6 ft.	R016	90-1007	Bolt, 5/16" x 1", NC HH	4
H051	2-9000	Clamp, Screw, #4	1	R017	90-2001	Nut, 5/16", ESNA, NC	4
H052	2-1905	Strainer, 1/4", Brass w/Check	1	R018	90-4001	Washer, 5/16", Flat, SAE	8
H060	4-02110000	Hose, 1/2" Push-On	2 ft.	R070	2-30152	Valve, Metering, 1/4" Hose	1
H061	2-1108	Hose Barb, 1/2" Barb x 3/8" MPT, Push-On	1	R071	11-0711	Label, Detergent Valve	1
H070	4-02120000	Hose, 3/4", Push-On	4 ft.	R100	95-07200073	Control Panel	1
H071	2-11050	Swivel, 3/4" FJIC, Push-On	2	R101	90-300210	Screw, #14 x 1", Tek, Black, Zn	13
H080	4-02110000	Hose, 1/2" Push-On	1.25 ft.	R102	11-0603	Label, Stripe, 17"	1
H081	2-1105	Swivel, 1/2" FJIC, Push-On	2	R103	11-1043	Label, Warning, Text	1
H090	4-02047716	Hose, Pressure, 3/8" x 16"	1	R104	11-1044	Label, Control Panel	1
				R105a	4-12805500	Nozzle, SAQCMEG 0005.5, Red (503067E, 503067E/G)	1
					4-12806000	Nozzle, SAQCMEG 0006, Red (603067E, 603067E/G)	1

**LEGEND**

G = Generator	L = Fuel Tank	T = Float Tank	W = Power Platform
R = Controls	F = Frame	B = Beltguard	U = Unloader
E = Engine	X = Battery Box	H = Hose	P = Pump
N = Final Assembly			

**PRESSURE WASHER OPERATOR'S MANUAL**

## EXPLODED VIEW PARTS LIST

ITEM	PART NO.	DESCRIPTION	QTY
R105b	4-12805515	Nozzle, SAQCMEG 1505.5, Yellow (503067E, 503067E/G)	1
	4-12806015	Nozzle, SAQCMEG 1506, Yellow (603067E, 603067E/G)	1
R105c	4-12805525	Nozzle, SAQCMEG 2505.5, Green (503067E, 503067E/G)	1
	4-12806025	Nozzle, SAQCMEG 2506, Green (603067E, 603067E/G)	1
R105d	4-12805540	Nozzle, SAQCMEG 4005.5, White (503067E, 503067E/G)	1
	4-12806040	Nozzle, SAQCMEG 4006, White (603067E, 603067E/G)	1
S01	2-00681	Bushing, 1/2" x 3/8" Steel	1
S02	2-0053	Elbow, 1/2" JIC x 3/8" MPT	1
S03	6-021730	Switch, MV60	1

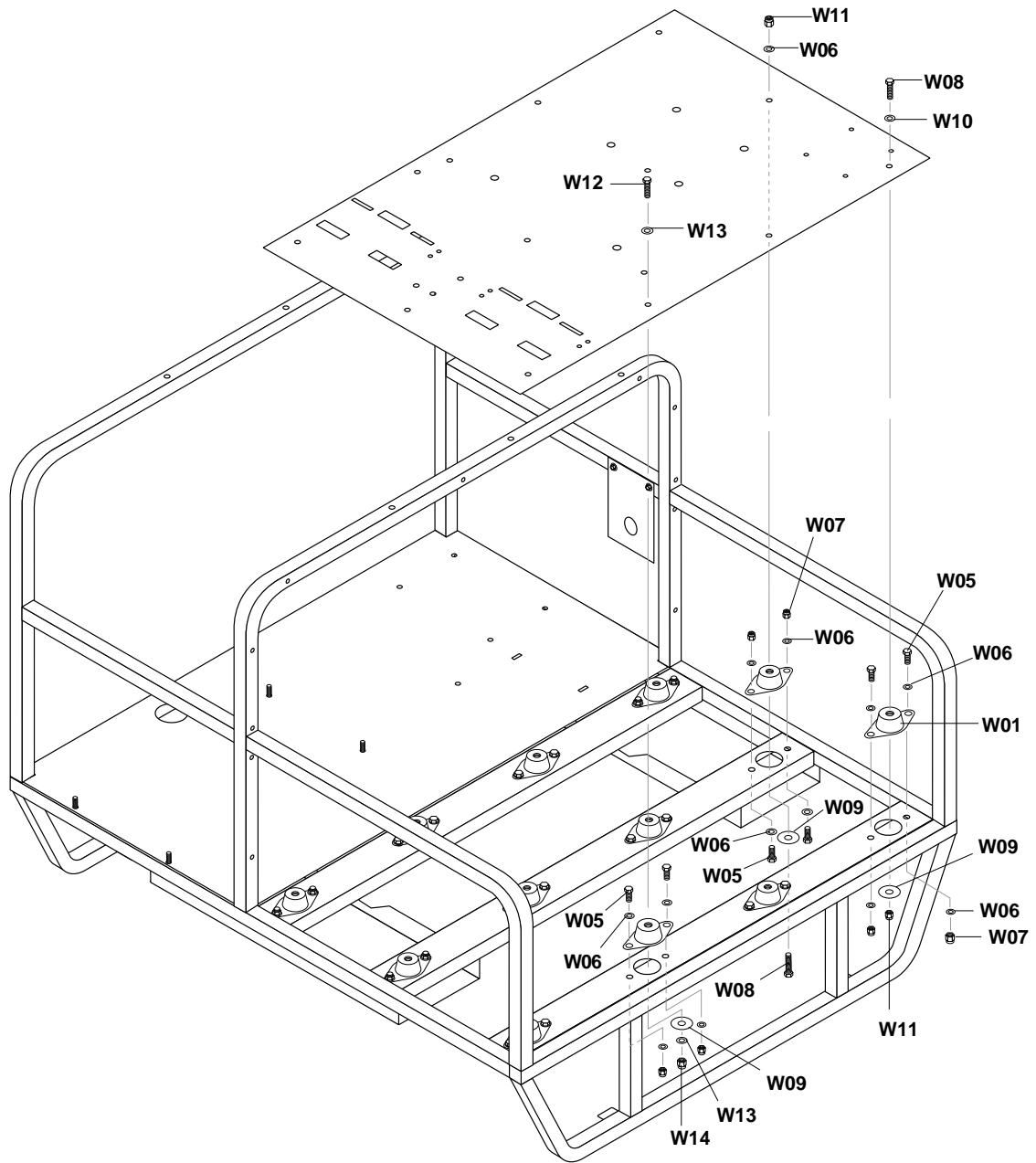
ITEM	PART NO.	DESCRIPTION	QTY
S04	2-00270	Elbow, 3/8" Male Pipe	1
U021	90-1021	Bolt, 3/8" x 2-1/2", GRD 5, Zinc 2	
U022	90-4002	Washer, 3/8", SAE, Flat	2
U023	90-2002	Nut, 3/8" ESNA, NC	2
W00	95-07200076	Assy, Power Platform, Diesel	1
X00	2-0115	Box, Battery, M100	1
X01	90-1002	Bolt, 1/4" x 1", Hex Head	4
X02	90-2000	Nut, 1/4", ESNA, NC	4
X03	90-4000	Washer, 1/4", Flat, SAE	8
X04	2-0108	Bumper Pad, Engine	4
X05	2-011500	Plate, Battery Box, Large, PO	1

▲ Not Shown

### LEGEND

G = Generator	L = Fuel Tank	B = Beltguard	U = Unloader
R = Controls	F = Frame	H = Hose	P = Pump
E = Engine	X = Battery Box	W = Power Platform	
N = Final Assembly	T = Float Tank		

# PLATFORM ISOLATOR EXPLODED VIEW



## PLATFORM ISOLATOR PARTS LIST

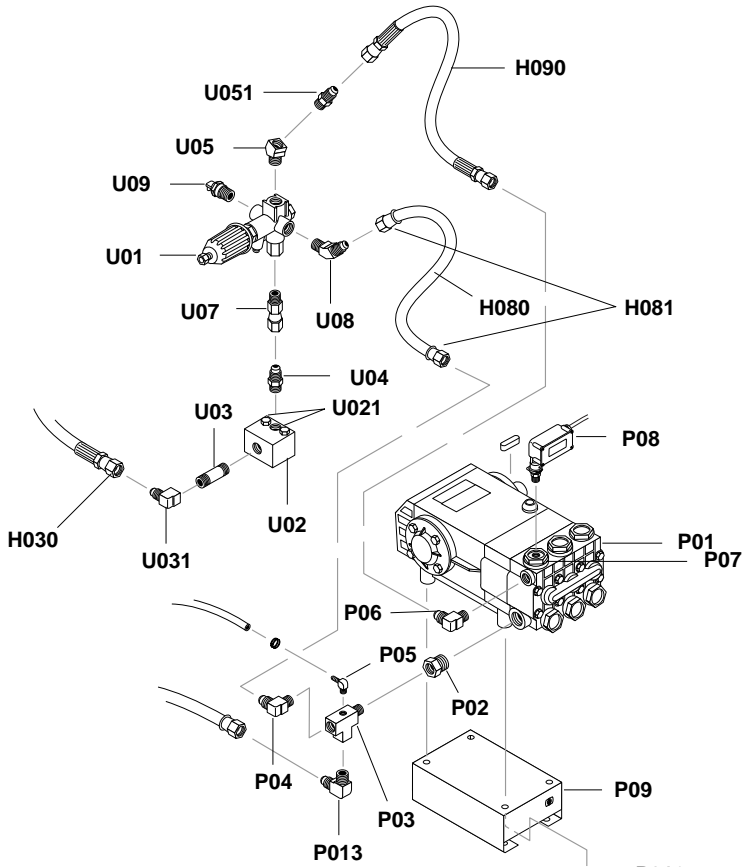
ITEM	PART NO.	DESCRIPTION	QTY	ITEM	PART NO.	DESCRIPTION	QTY
W01	2-01013	Isolator, Vibration Mount, 100L	12	W12	90-1012	Bolt, 5/16" x 2-1/2" NC HH	2
W05	90-1007	Bolt, 5/16" x 1", NC HH	24	W13	90-4001	Washer, 5/16" Flat, SAE	4
W06	90-4001	Washer, 5/16", Flat, SAE	48	W14	90-2001	Nut, 5/16" ESNA, NC	2
W07	90-2001	Nut, 5/16", ESNA, NC	24				
W08	90-1021	Bolt, 3/8" x 2-1/2" GR 5 Zinc	10				
W09	2-011981	Washer, Snubbing	12				
W10	90-4002	Washer, 3/8" SAE, Flat	10				
W11	90-2002	Nut, 3/8" ESNA, NC	10				

**LEGEND**

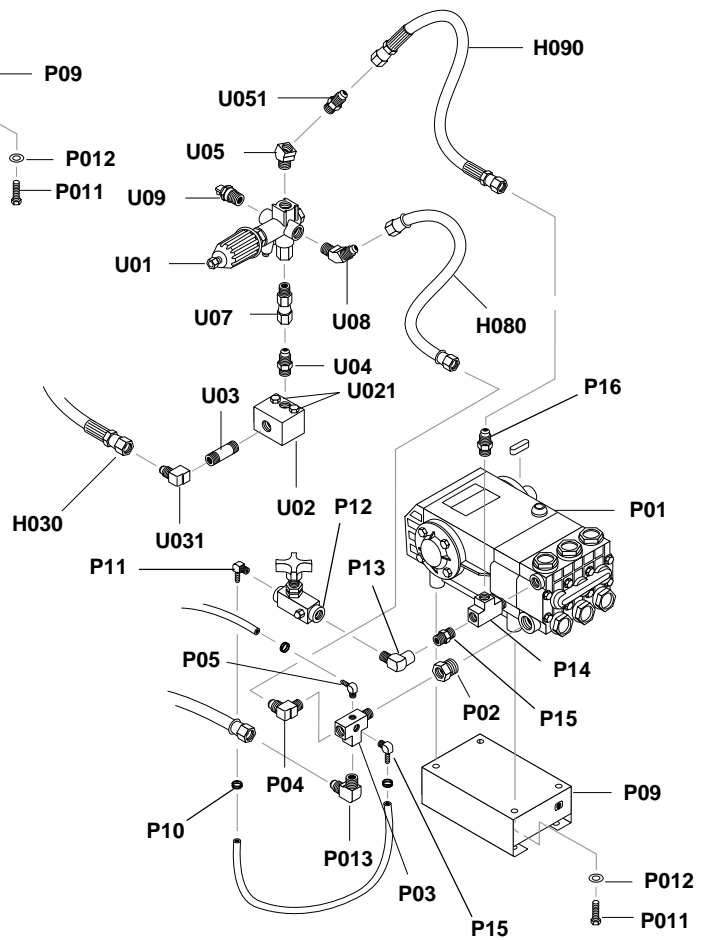
G = Generator      L = Fuel Tank      T = Float Tank      W = Power Platform  
 R = Controls      F = Frame      B = Beltguard  
 E = Engine      X = Battery Box      H = Hose      U = Unloader  
 N = Final Assembly      P = Pump

# PUMP ASSEMBLIES EXPLODED VIEW

Standard Pump Assembly



Steam Option Pump Assembly



**LEGEND**

- |                    |                 |                    |              |
|--------------------|-----------------|--------------------|--------------|
| G = Generator      | L = Fuel Tank   | B = Beltguard      | U = Unloader |
| R = Controls       | F = Frame       | H = Hose           | P = Pump     |
| E = Engine         | X = Battery Box | W = Power Platform |              |
| N = Final Assembly | T = Float Tank  |                    |              |

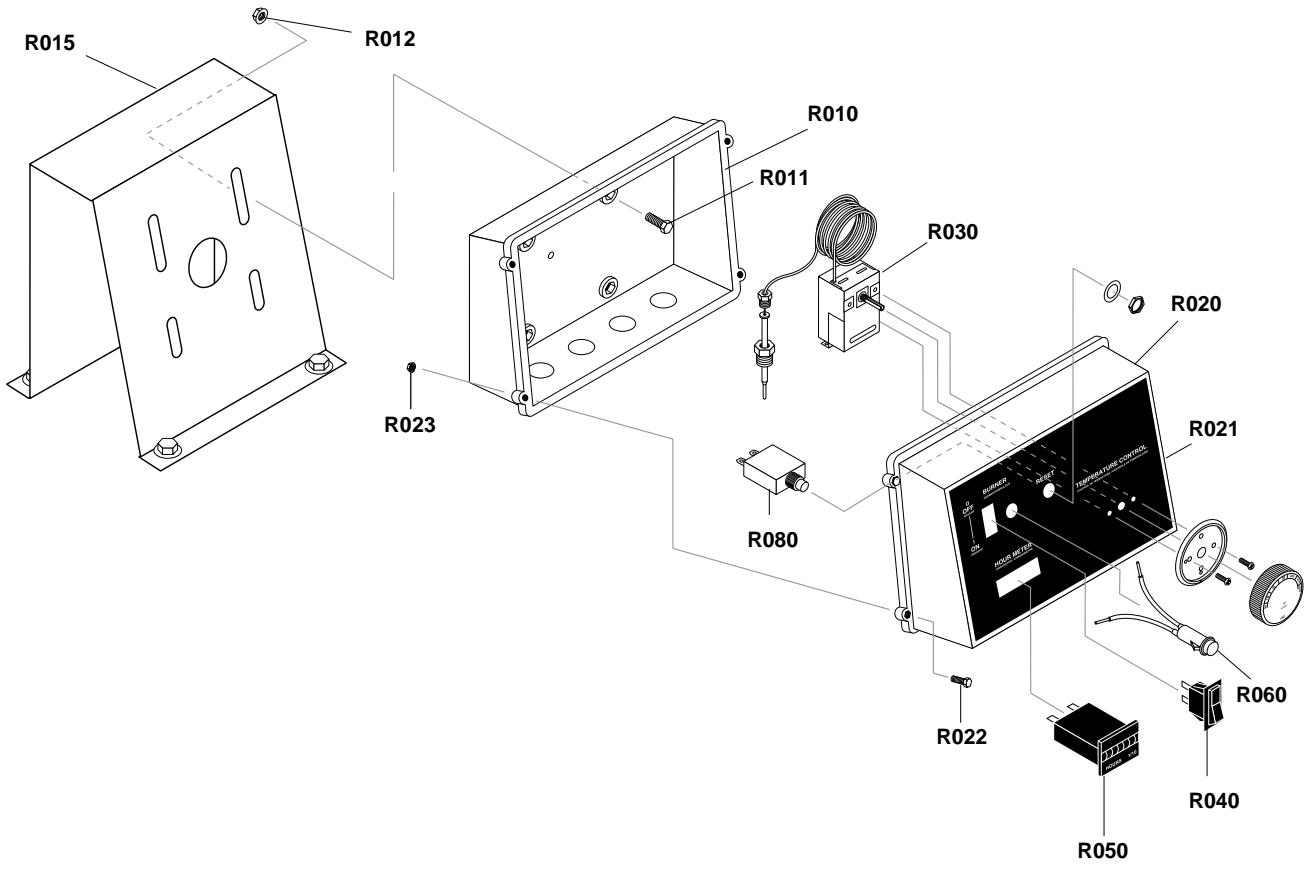
# PUMP ASSEMBLIES PARTS LIST

ITEM	PART NO.	DESCRIPTION	QTY	ITEM	PART NO.	DESCRIPTION	QTY
H030	4-02047762	Hose, 3/8" Pressure	5 ft.	P08	6-021720	Switch, Pressure, N/O, 1/4" NPT SS	1
H080	4-02100000	Hose, 1/2" Push-On	1.6 ft.	P09	95-07200054	Weldment, Pump Rail, Wide	1
H081	2-1105	Swivel, 1/2" JIC Fem, Push-On 2		P10	2-9040	Clamp, Hose (With Steam)	1 3
H090	4-02047716	Hose, 3/8" Pressure	16"	P11	2-1089	Hose Barb, 1/4" Barb x 1/4" ML Pipe, 90°	1
P01	Pump, See Parts Specification's Pages 32-33			P12	2-30151	Valve, Steam	1
P011	1-99364400	Screw, Pump (503067E,503067E/G 603567E, 603567E/G)	4	P13	2-00301	Elbow, 1/4" x 3/8" Street	1
P012	1-96710600	Washer, Lock, Pump (503067E, 503067E/G, 603567E, 603567E/G)	4	P14	2-0045	Tee, 3/8" Street	1
P013	2-10630	Elbow, 3/4" JIC x 1/2" 90°	1	P15	2-0006	Nipple, 3/8" Hex Steel	1
P02	2-1081	Bushing, 3/4" x 1/2" Pipe (503067E, 503067E/G, 603567E, 603567E/G)	1	P16	2-0051	Nipple, 1/2" JIC x 3/8" Pipe	1
P03	2-10421	Tee, 1/2" with 1/8" Hole, Street	1	U01	5-3208	Unloader, AL-VRT 607, 7.8 GPM @ 4200 PSI	1
P04	2-1062	Elbow, 1/2" JIC, 3/8", 90°	2	U02	95-071012150/B	Block Unloader, 1/2" x 1/2", Brass	1
P05	2-1088	Hose Barb, 1/4" Barb x 1/8" ML Pipe, 90° (Steam Option)	1 2	U021	90-10210	Bolt, 3/8" x 3"	2
P06	2-0053	Elbow, 1/2" JIC, 3/8", 90°	1	U03	2-000891	Nipple, 1/2" x 2-1/2", Galvanized SCH 80	1
P07	70-460146	Cap, Valve with 1/4" Gauge Port (503067E, 503067E/G, 603567E, 603567E/G)	1	U031	2-00602	Elbow, 1/2" FNPT x 1/2" MJIC	1
				U04	2-0052	Nipple, 1/2" JIC, 1/2" Pipe	1
				U05	2-00575	Elbow, 3/8", Street, 45°	1
				U051	2-0051	Nipple, 1/2" MJIC x 3/8" NPT	1
				U07	2-0079	Swivel, 1/2" JIC Fem, 3/8" Male	1
				U08	2-106301	Elbow, 1/2" JIC x 3/8", 45°	1
				U09	2-300816	Pump Protector, 3/8" PTP	1

### LEGEND

G = Generator	L = Fuel Tank	T = Float Tank	W = Power
R = Controls	F = Frame	B = Beltguard	Platform
E = Engine	X = Battery Box	H = Hose	U = Unloader
N = Final Assembly			P = Pump

# CONTROL BOX EXPLODED VIEW



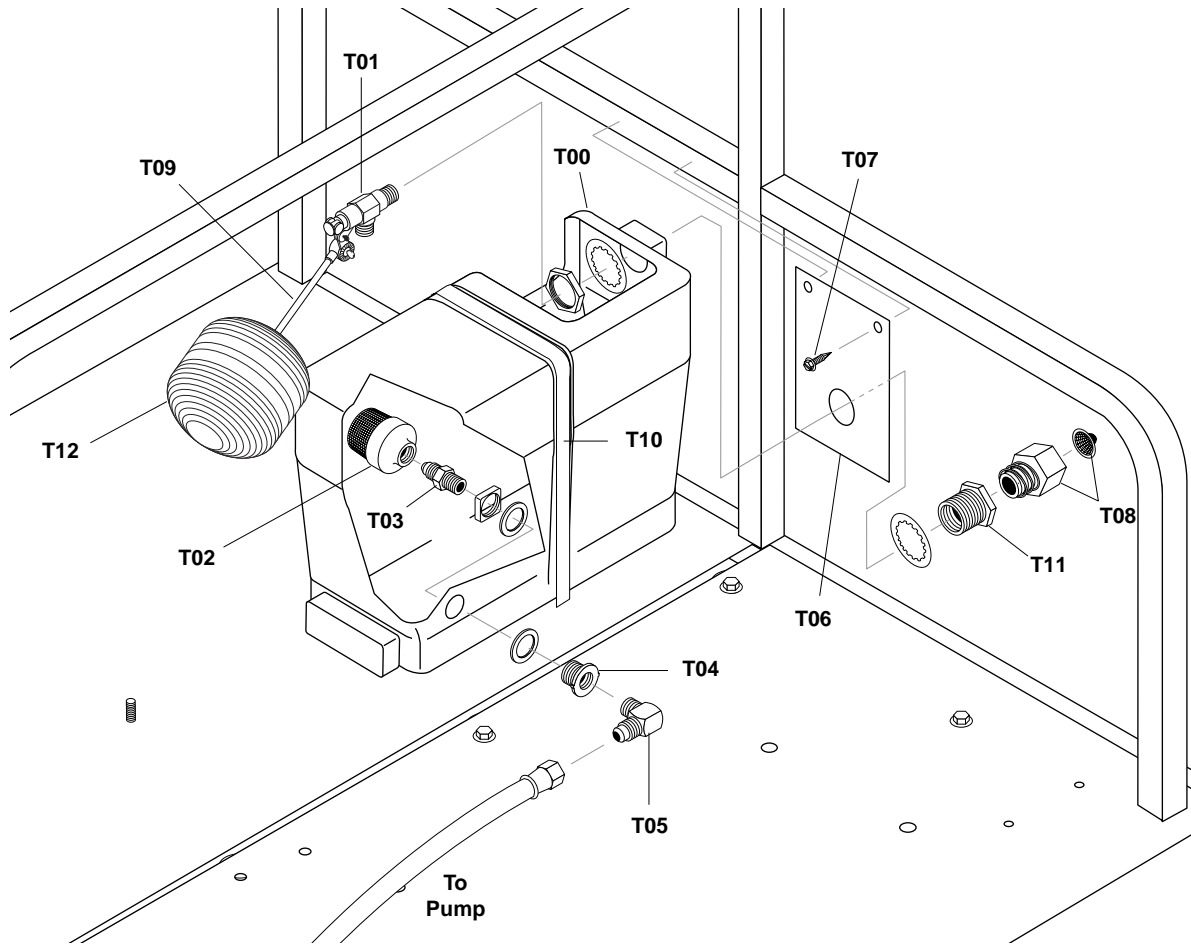
# CONTROL BOX PARTS LIST

ITEM	PART NO.	DESCRIPTION	QTY	ITEM	PART NO.	DESCRIPTION	QTY
R010	6-03915	Box, Plastic, Back	1	R060	6-020530	Light Indicator, Green 125V (503067E/G, 603567E/G)	1
R011	90-1001	Bolt, 1/4" x 3/4", NC HH	4		6-020590	Light Indicator, Green 12V (503067E, 603567E)	1
R012	90-200012	Nut, 1/4", Flange, ZN	4	R080	6-041250	Breaker, 1658-G41-02-P10-25A (503067E)	1
R015	95-07200058	Bracket, Electrical Box	1	R090	6-03671	▲ Relay, P&B, VF4-41H11, 12V/40A (503067E, 603567E)	1
R020	6-0391601	Box, Plastic, Front, Fabricated	1	R091	90-1999	▲ Screw, 10/32" x 3/4" BH SOC CS (503067E, 603567E)	1
R021	11-1045	Label, Electrical Box, w/o Reset (503067E/G, 603567E/G)	1	R092	90-1994	▲ Screw, 10/32" x 1-1/4", Ground	1
	11-1047	Label, Electrical Box, w/Reset (503067E, 603567E)	1	R093	90-017	▲ Nut, 10/32"	8
R022	70-180503	Screw, M4 x 10	4	R094	11-1042	▲ Label, Ground	1
R023	70-030207	Nut	4			▲ Not Shown	
R030	4-05088	Thermostat, Adjustable, 302°	1				
R031	6-01270	▲ Conduit, Corrugated, Tubing	3 ft.				
R040	6-020251	Switch, Curvette RA901VB-B-1	1				
R050	4-050822	Hour Meter, 115VAC 60HZ (503067E/G, 603567E/G)	1				
	4-050823	Hour Meter, 12-28VDC (503067E, 603567E)	1				

### LEGEND

G = Generator      L = Fuel Tank      B = Beltguard      U = Unloader  
 R = Controls      F = Frame      H = Hose      P = Pump  
 E = Engine      X = Battery Box      W = Power Platform  
 N = Final Assembly

## FLOAT TANK ASSEMBLY



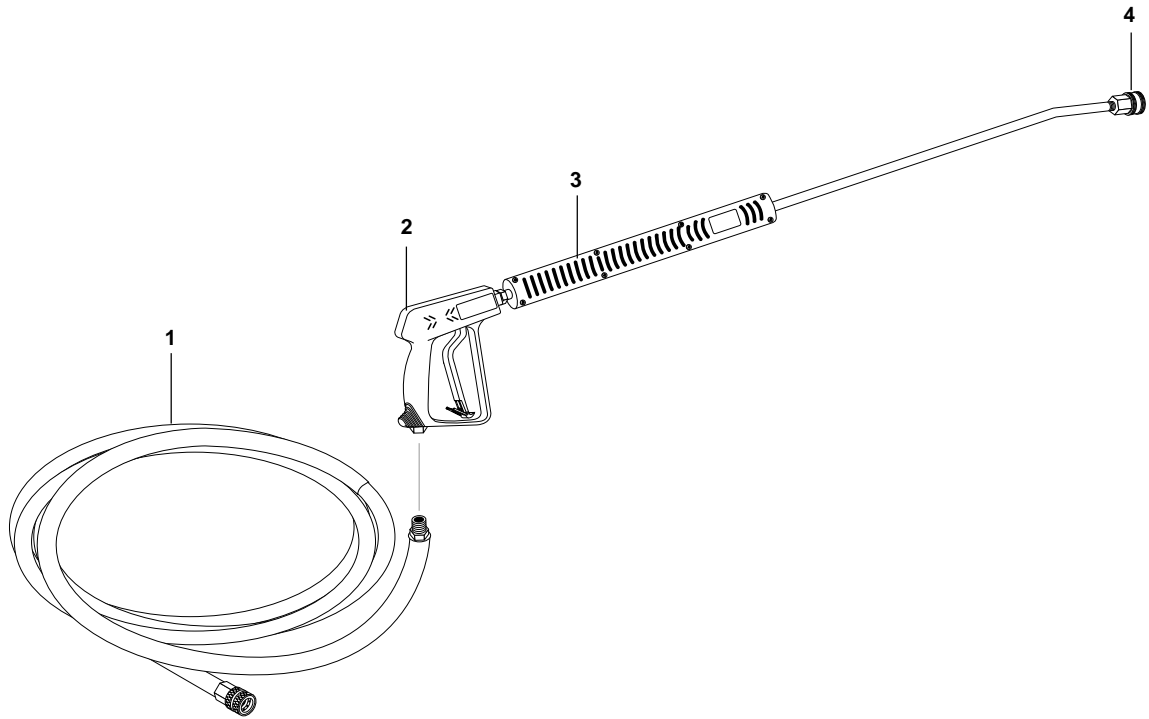
## FLOAT TANK PARTS LIST

ITEM	PART NO.	DESCRIPTION	QTY	ITEM	PART NO.	DESCRIPTION	QTY
T00	2-01164100	Tank, Float, 2-1/2 Gallon	1	T07	90-300210	Screw, #14 x 1", TEK, Blk, Zinc 2	
T01	2-3011	Valve, Float, Brass	1	T08	2-10942	Swivel, 1/2" MP x 3/4" GHF, w/Strainer	1
T02	2-1906	Strainer, 1/2" Basket	1	T09	2-11141	Stem, 5" Float	1
T03	2-1053	Nipple, 1/2" JIC x 1/2" MPT	1	T10	6-05134	Cable, TY, 48"	1
T04	2-010049	Bulkhead, 1/2" PVC	1	T11	2-11041	Anchor, Connector, 1/2"	1
T05	2-10630	Elbow, 3/4" JIC x 1/2", 90°	1	T12	2-0102	Ball, Float, Black Plastic	1
T06	95-07200014	Support Plate, Float Tank	1				

**LEGEND**

G = Generator	L = Fuel Tank	B = Beltguard	U = Unloader
R = Controls	F = Frame	H = Hose	P = Pump
E = Engine	X = Battery Box	W = Power Platform	
N = Final Assembly			

## HOSE & SPRAY GUN ASSEMBLY



## HOSE & SPRAY GUN PARTS LIST

ITEM	PART NO.	DESCRIPTION	QTY	ITEM	PART NO.	DESCRIPTION	QTY
1	4-020750C	Hose, 50' x 3/8", 2 Wire, TUFF Flex	1	4	2-2000	Coupler, 1/4"	1
2	4-01246	Spray Gun, Shut-Off, AP 1000	1		2-20023	Coupler, 1/4" Female	1
3	4-0111021	Lance, Spray, Insulated, 35.5" SS	1		2-0003	▲ Nipple, 1/4" Steel	1
					2-0119	▲ O-Ring, Replacement Only	1
					2-0132	▲ Seal, 1/4" Replacement Only	1
						▲ Not Shown	

# SPECIFICATIONS

## PART SPECIFICATIONS

Machine Model	PUMP							ENGINE				
	Model	Part #	Unloader	Pulley	Part #	Bushing	Part #	Engine Size	Engine Part#	Engine Pulley	Pulley Part#	Bushing
<b>503067E</b>	GT-4035	5-1924	5-3208	2BK90H	5-40509001	25MM	5-512025	15 HP	5-0405	3TB34	5-407034	P2 x 1 1/2
<b>503067E/G</b>	GT-4035	5-1924	5-3208	2BK90H	5-40509001	25MM	5-512025	15 HP	5-0405	3TB34	5-407034	P2 x 1 1/2
<b>603567E</b>	GT-6035	5-1932	5-3208	2BK80H	5-40508001	25MM	5-512025	24 HP	5-0407	3TB34	5-407034	P2 x 1 1/2
<b>603567E/G</b>	GT-6035	5-1932	5-3208	2BK80H	5-40508001	25MM	5-512025	24 HP	5-0407	3TB34	5-407034	P2 x 1 1/2

# SPECIFICATIONS

ENGINE (CON'T)				GENERATOR				
Model (Con't)	Bushing Part #	Belt Size	Belt Part #	Pulley	Pulley Part#	Belts	Belt Part #	Bushing
<b>503067E</b>	5-531114	BX 34	5-604034	NA	NA	NA	NA	NA
<b>503067E/G</b>	5-531114	BX 34	5-604034	BK 32H	5-40403201	BX22	5-604022	5-511063
<b>603567E</b>	5-531114	BX 32	5-604032	NA	NA	NA	NA	NA
<b>603567E/G</b>	5-531114	BX 32	5-604032	BK 36H	5-40403601	BX22	5-604022	5-511063

---

## SPECIFICATIONS

---

### BECKETT BURNER SPECIFICATIONS

<b>Model No.</b>	<b>Burner Assy No.</b>	<b>Fuel Nozzle</b>	<b>Transformer</b>	<b>Burner Motor</b>	<b>Fuel Pump/ Solenoid/Cord</b>	<b>Fuel Solenoid Coil</b>	<b>Electrode</b>
SSD-503067E/G	7-00011	7-01284	7-51824	7-21344U	7-21844U	7-21755U	7-578703