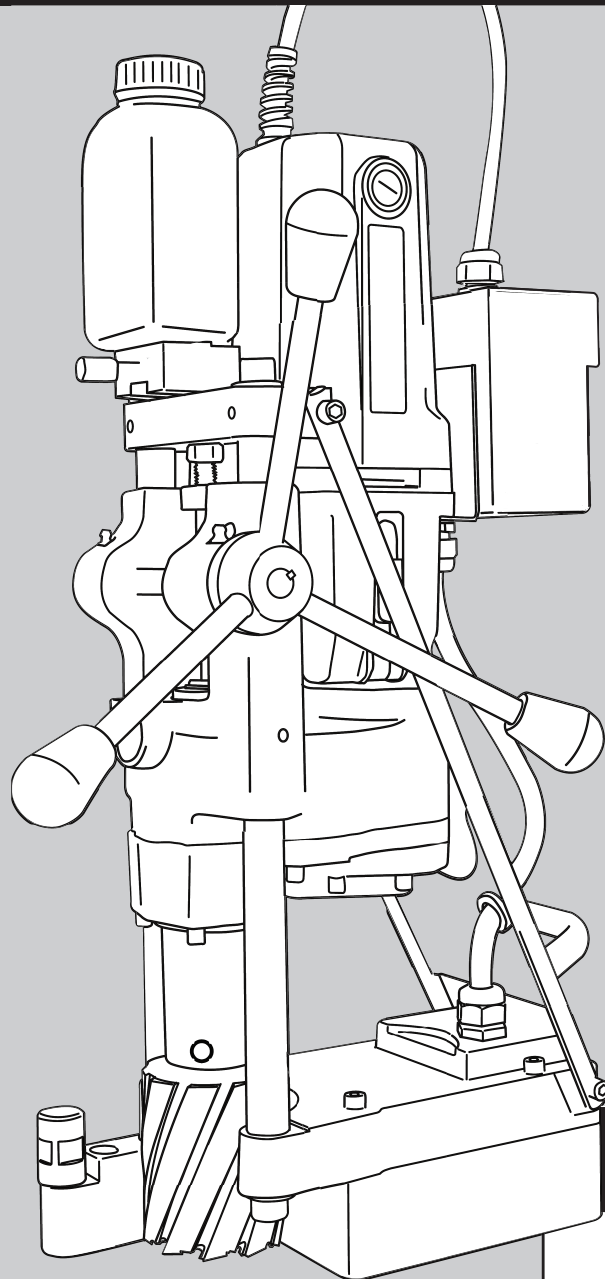




OPERATOR'S MANUAL

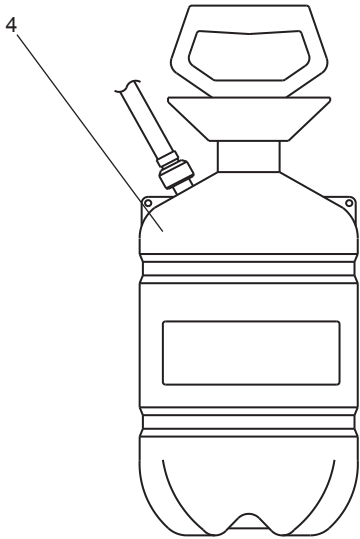
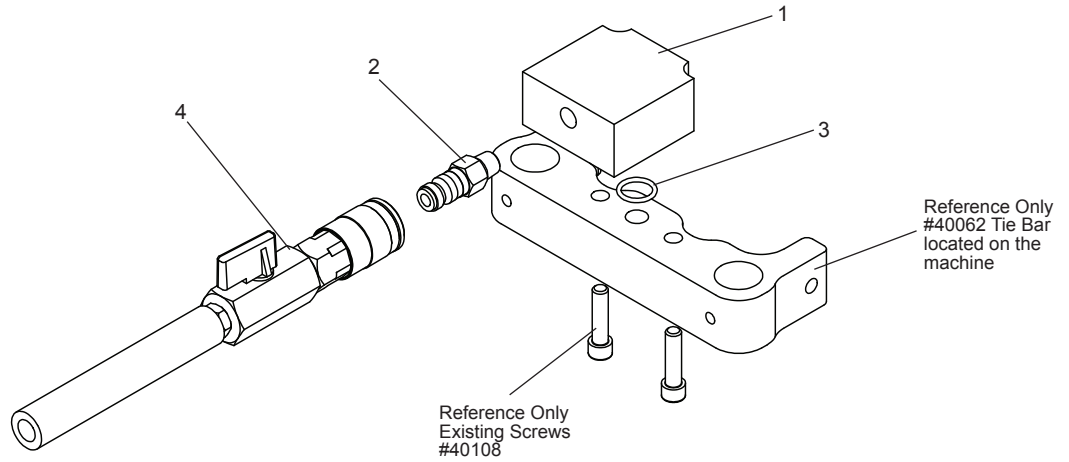
HMD934 SERIES PORTABLE MAGNETIC DRILL



**Covers Drill
Part Numbers:**

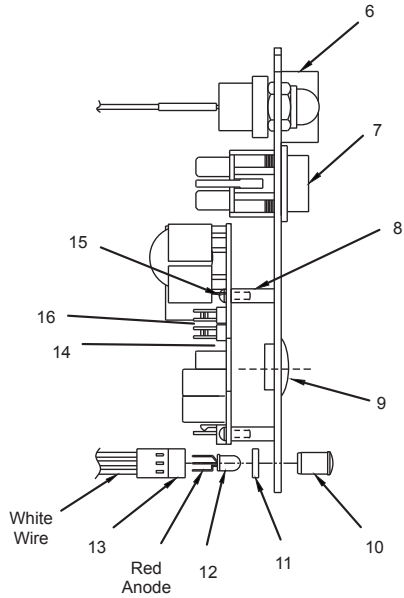
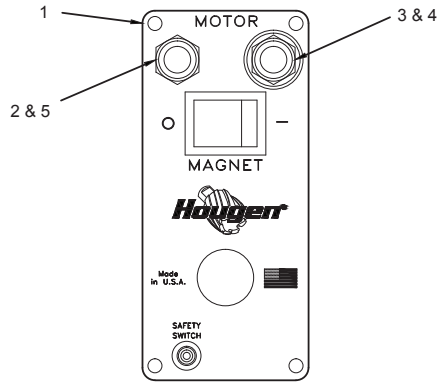
0934102 0934202
0934302

OPTIONAL PRESSURIZED COOLANT BOTTLE

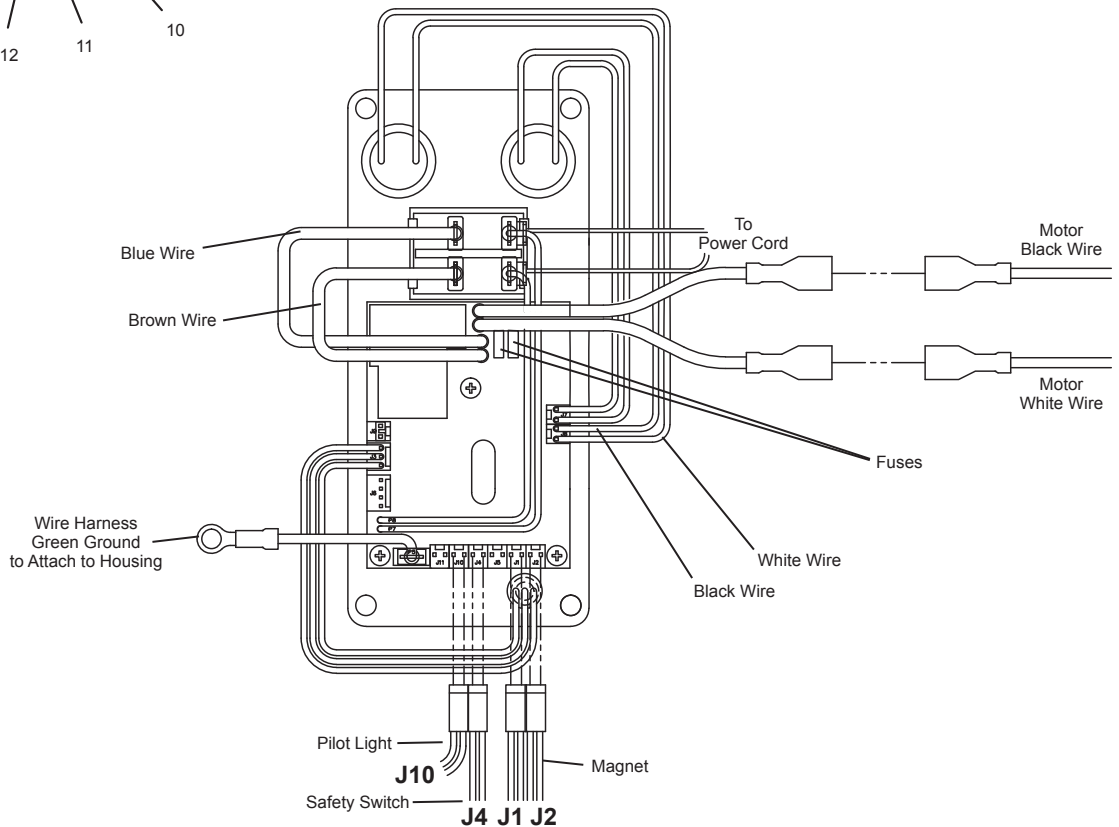


08446 Pressurized Coolant Assembly			
Item	Part #	Description	Qty
1	08557	Pressurized Coolant Block	1
2	05646	Fitting-Qk Connect Male	1
3	04807	O-Ring	1
4	05630	Coolant Bottle Assembly	1

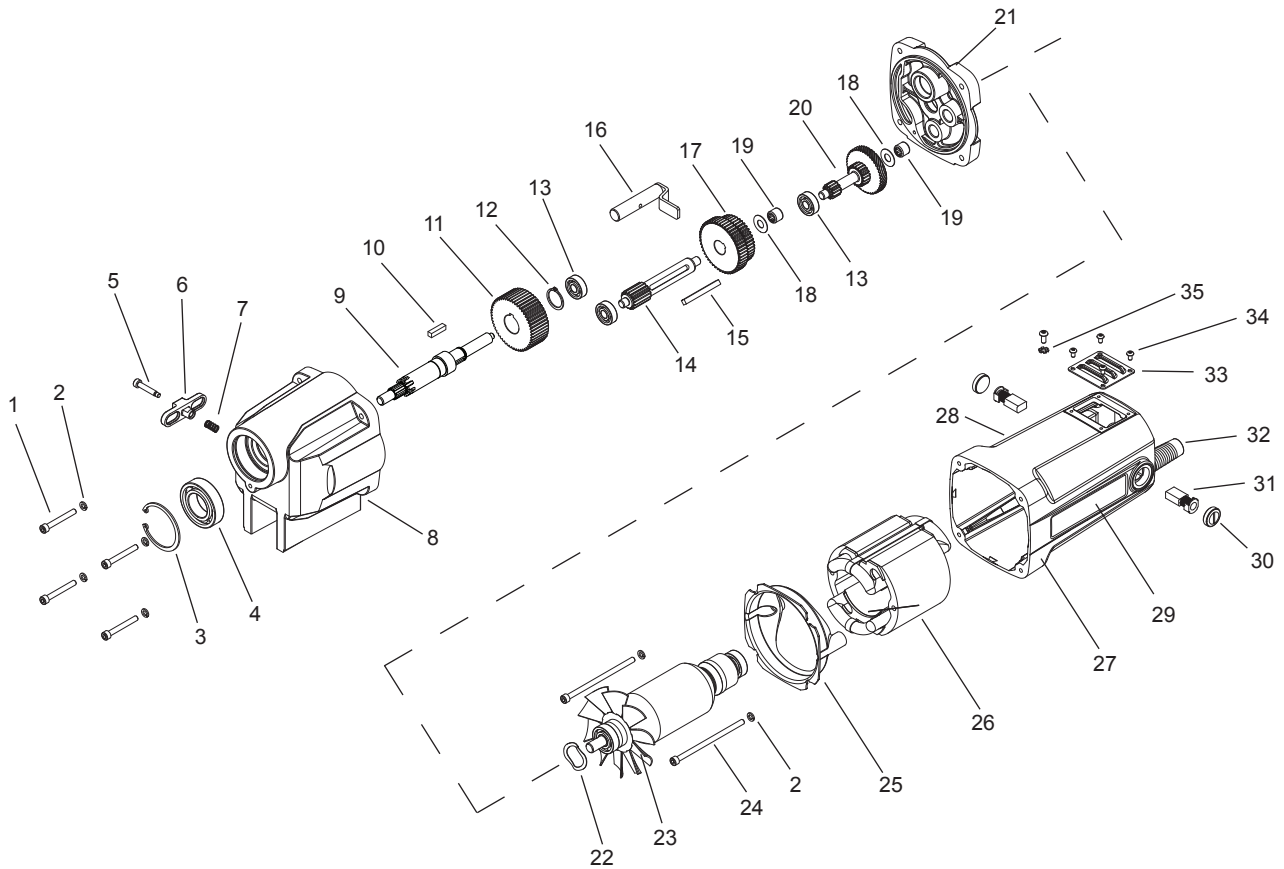
CONTROL PANEL BREAKDOWN & WIRING



08577 Panel Assembly 120V 08585 Panel Assembly 230V			
Item	Part #	Description	Qty
1	07011	Faceplate	1
2	01335	Switch - Motor Off	1
3	01334	Switch - Motor On	1
4	02409	Seal - Green	1
5	01228	Seal - Red	1
6	01226	Guard Switch	1
7	04614	Magnet Switch	1
8	02548	Stand Off	3
9	08578	Plug - Dome	1
10	04879	Lens Clear L.E.D.	1
11	04878	Spacer L.E.D.	1
12	04881	Bulb L.E.D.	1
13	04877	Wire Harness L.E.D.	1
14	08646	Circuit Board 120V	1
	08673	Circuit Board 230V	1
15	02547	SCR #4-40 x 5/16 LG	3
16	07522	Fuse	2

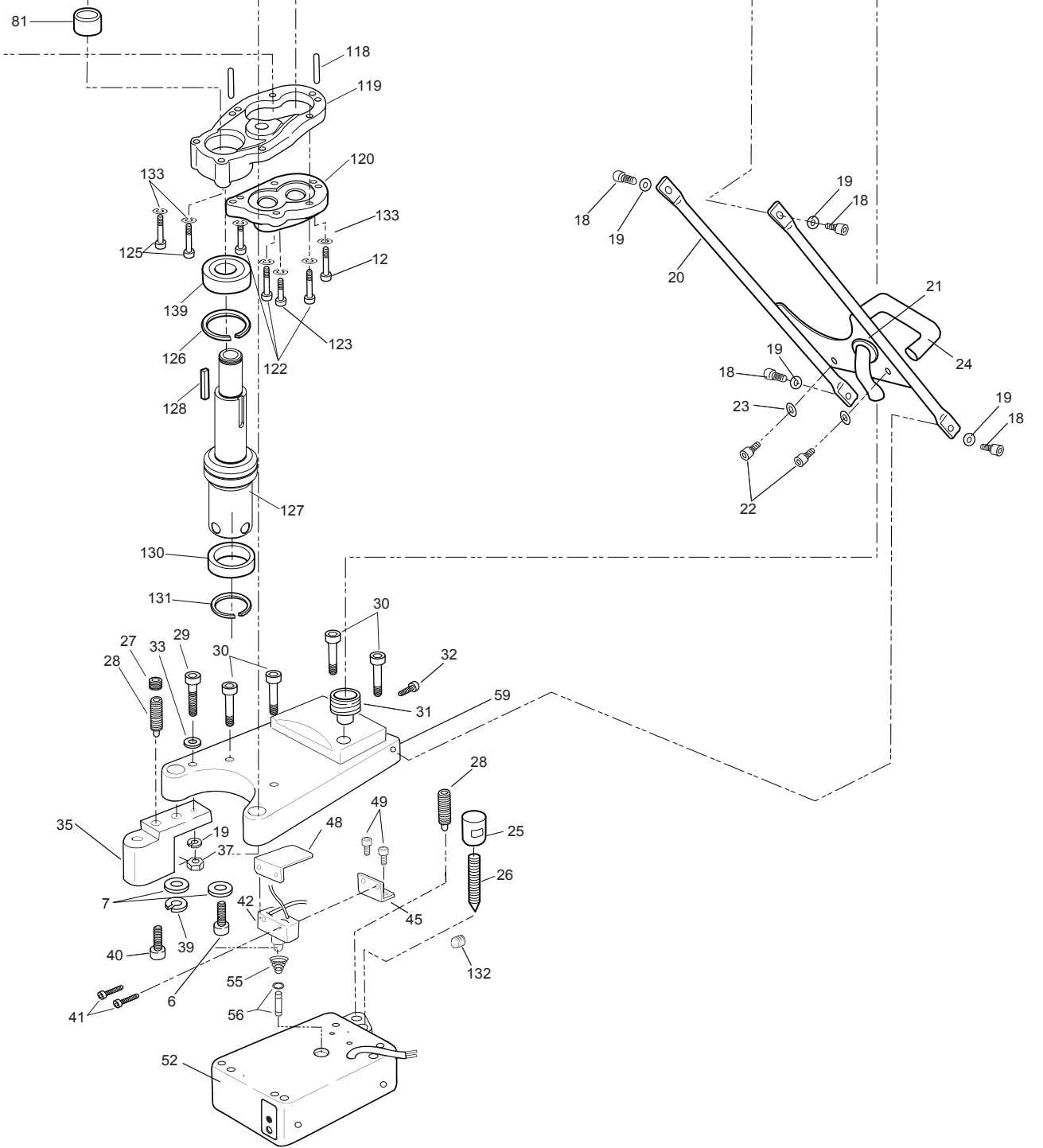
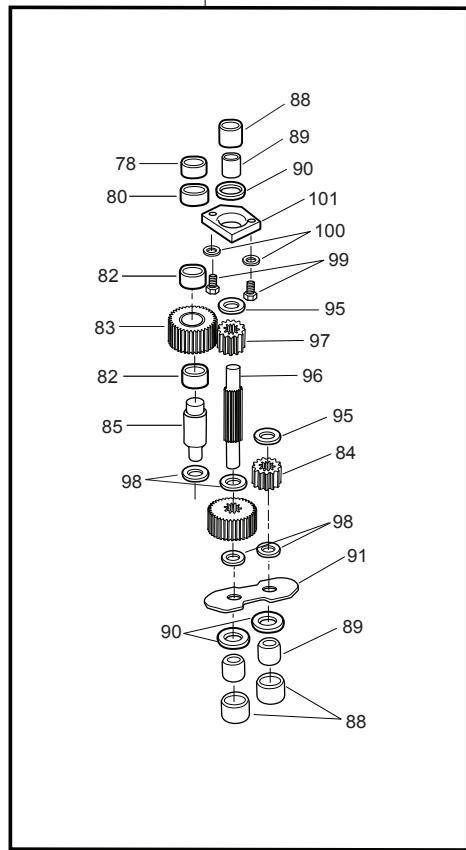


MOTOR PARTS



08579 Motor Assembly 120V 08586 Motor Assembly 230V

Item	Part #	Description	Qty	Item	Part #	Description	Qty
1	41048	SCR-SHC #10-32 x 1-1/2	4	20	07911	Assembly Gears #2 & #3	1
2	50038	Washer - Lock Helical #10	6	21	08278	Gear Box Cover	1
3	07860	Retaining Ring	1	22	24093	Washer - Spring	1
4	40274	Bearing 25mm x 47mm x 12mm	1	23	08276	Armature Assembly - 120V	1
5	08069	SCR-SHSLD 3/16 x 7/8	1		08277	Armature Assembly - 230V	1
6	07908	Switch	1	24	07895	SCR-SHC #10-32 x 3-1/2 LG	2
7	07910	Spring-Comp	1	25	07892	Baffle	1
8	07826	Gear Box Housing	1	26	07891	Field - 120V	1
9	08131	Spindle- Motor Drive	1		08040	Field - 230V	1
10	07904	Key	1	27	08280	Motor Brush Holder Assembly	1
11	07900	Gear Spur Removable	1	28	07876	Specs Label - 120V	1
12	24160	Retaining Ring	1		08038	Specs Label - 230V	1
13	24100	Ball Bearing	3	29	08558	Motor Label	1
14	07899	Gear Spur Removable	1	30	24044	Brush Holder Cap	2
15	07905	Key	1	31	24045	Carbon Brushes	2
16	07868	Shift Control Rod Arm	1	32	08339	Motor Cord	1
17	07914	Assembly, Change gear	1	33	07848	Cover, Brush Access	1
18	17610	Washer - Flat 8mm	2	34	02385	SCR-BHC #6-32 x 1/4	4
19	07903	Needle Bearing	2	35	10538	Washer - Lock	1



HMD934

No.	Part #	Description	Qty
	40126	Bottle Assembly	1
1	40126	Cap (Must buy Bottle Assy)	1
2	40123	Hold Down Fitting	1
3	40058	Washer	1
4	40121	Bottle	1
5	40126	Block (Must buy Bottle Assy)	1
5a	40125	Drip Tube	1
6	40070	SHCS 1/2-13 x 1	3
7	40069	Washer 1/2	4
8	40126	Adjustment Needle	1
9	40124	O-Ring	1
10	90071	Screw 1/4-20 x 1/4	2
11	40062	Tie Bar	1
12	40108	SHCS 1/4-20 x 1-1/4	3
13	40067	Feed Rod	2
14	40052	Hex Nut 7/16-14	1
15	40105	Knurled Nut 7/16	1
16	40113	Ejector Rod	1
17	40114	Ejector Rod Point	1
18	40558	SHCS 5/16-18 x 3/4	4
19	40107	Lock Washer 5/16	4
20	40086	Strut Assy	1
21	40117	Grommet	1
22	75156	SCR-SHC M6 x 15mm	2
23	17687	Washer-Lock Helical 6mm	2
24	08193	Handle - Pull	1
25	40181	Head - Impactor	1
26	40182	Point - Impactor	1
27	40141	SCR-SOC Set 5/8-11 x 1/2	1
28	10644	Spring Plunger	2
29	40183	SCR-SHC 5/16-18 x 2-1/4	1
30	40143	SCR-SHC 5/16-18 x 1-1/2	4
31	08231	Strain Relief	3
32	10977	SCR-BHC 1/4-20 x 1/4	1
33	40074	Washer 5/16 Flat	1
35	40134	Impactor Block	1
37	40184	Nut 5/16-18 UNC	1
39	40110	Washer Lock 1/2 Hel	4
40	40111	SCR-SHC 1/2-13 x 1-1/2	1
41	10972	SCR-BHC #6-32	2

No.	Part #	Description	Qty
42	40130	Safety Switch Assy	1
45	04909	Bracket-Safety Switch	1
48	10983	Shield-Safety Switch	1
49	10971	SCR-SHC 1/4-20 x 1/2	1
51	90497	SCR-SS 1/4-20 x 3/8 BR	2
52	08550	Magnet 115V	1
	08583	Magnet 230V	1
55	17271	Spring	1
56	04961	Plunger Assy	1
59	40139	Base Plate	1
61	10626	Seal 7/8	5
62	40065	Bushing 7/8	4
63	40001	Main Housing	1
64	40071	SCR-SHC 1/4-28 x 7/8	4
66	40044	Retaining Ring	1
67	40032	Washer 9/6 x 1-3/8	2
68	40116	Gear Spur 16 teeth	2
69	40045	Key	2
70	40048	Bushing 9/16	1
71	40032	Bushing 7/16	1
72	40092	Retaining Ring	1
73	40112	Thrust Washer	2
75	40090	Bearing 7/8	1
76	40061	Handle Assy	1
78	40035	Bushing	1
79	40091	Washer 7/8	1
80	40026	Gear Spindle 36 Teeth	1
81	40118	Spacer - Spindle	1
82	40033	Bearing 3/4	1
83	40021	Gear Idler 32 Teeth	1
84	40012	Change Gear 18 Teeth	1
	40016	Change Gear 30 Teeth	1
85	40018	Idler Shaft	1
88	40008	Bearing	3
89	40009	Bearing	3
90	40007	Seal 3/4 x 1	3
91	40006	Retaining Ring Lower	1
94	10681	Grease Fitting	2
95	40002	Washer Altered	2
96	40039	Shaft-Spline	1

HMD934 PARTS BREAKDOWN

No.	Part #	Description	Qty
97	40010	Driven Gear 16 Teeth	1
98	40020	Thrust Washer	4
99	40038	SHCS 10-32 x 5/8	2
100	10560	Washer #10	2
101	40037	Upper Retaining Ring	1
104	08555	Electrical Box	1
105	08579	120V Motor	1
	08586	230V Motor	1
106	10766	Circuit Breaker 15A - 120V	1
	10785	Circuit Breaker 8A - 230V	1
107	10771	Grommet	1
108	40066	SCR-BHC 1/4-28	3
110	08577	Panel Assy - 120V	1
	08585	Panel Assy - 230V	1
111	41042	SCR- #6-32	2
112	08222	Power Cord 120V	1
	08226	Power Cord 230V	1
	08223	Power Cord 230V Type I	1
113	90264	Hub - Feed Shaft Assy	1
114	10569	Feed Handle	3
115	04532	Feed Handle Knob	3
116	08569	Cord	1
117	40127	O-Ring	1

No.	Part #	Description	Qty
118	40076	Dowel Pin 1/4	2
119	40003	Housing Spindle Bearing	1
120	40005	Lower Bearing Cap Assy	1
122	40078	SCR-SHC 1/4-20 x 1-1/2	3
123	40077	SCR-SHC 1/4-20 x 1	1
125	40129	SCR-SHC 1/4-20 x 2-1/4	2
126	40023	Retaining Ring	1
127	08547	Spindle	1
128	40025	Key 3/16	1
129	08554	SCR-SS 3/4-10 Alt	2
130	40636	Chip Guard	1
131	40635	Retaining Ring	1
132	10621	SCR-SS 1/4-20x1/4 BR Tip	1
133	04721	Washer 1/4 Lock Washer	12
134	40040	Adapter	1
135	08206	Tag - Gear Chart	1
136	41044	SCR BHC #10-32 x 3/8 LG	4
137	17537	Label - Safety Instructions	1
138	08148	Label - 120V	1
139	40022	Bearing	1
140	08144	Bottom Bracket Elect. Box	1
141	08560	Top Bracket Elect. Box	1