

BX-3 MASONRY SAW PARTS LIST

MODELS

PART #

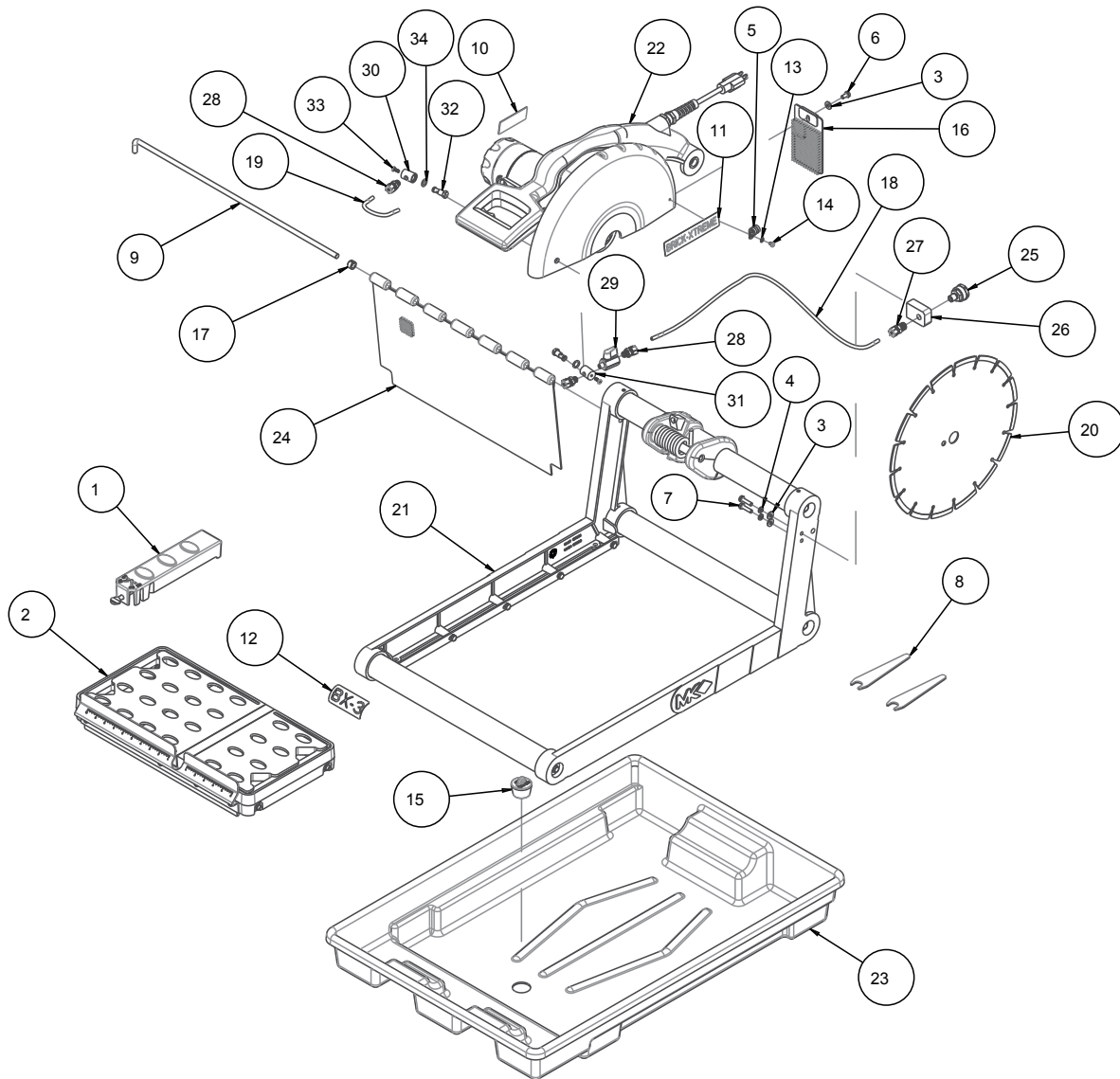
BX-3 (Wet)

157721WX



Revision 108	12.2019
Manual Part No. 158168	

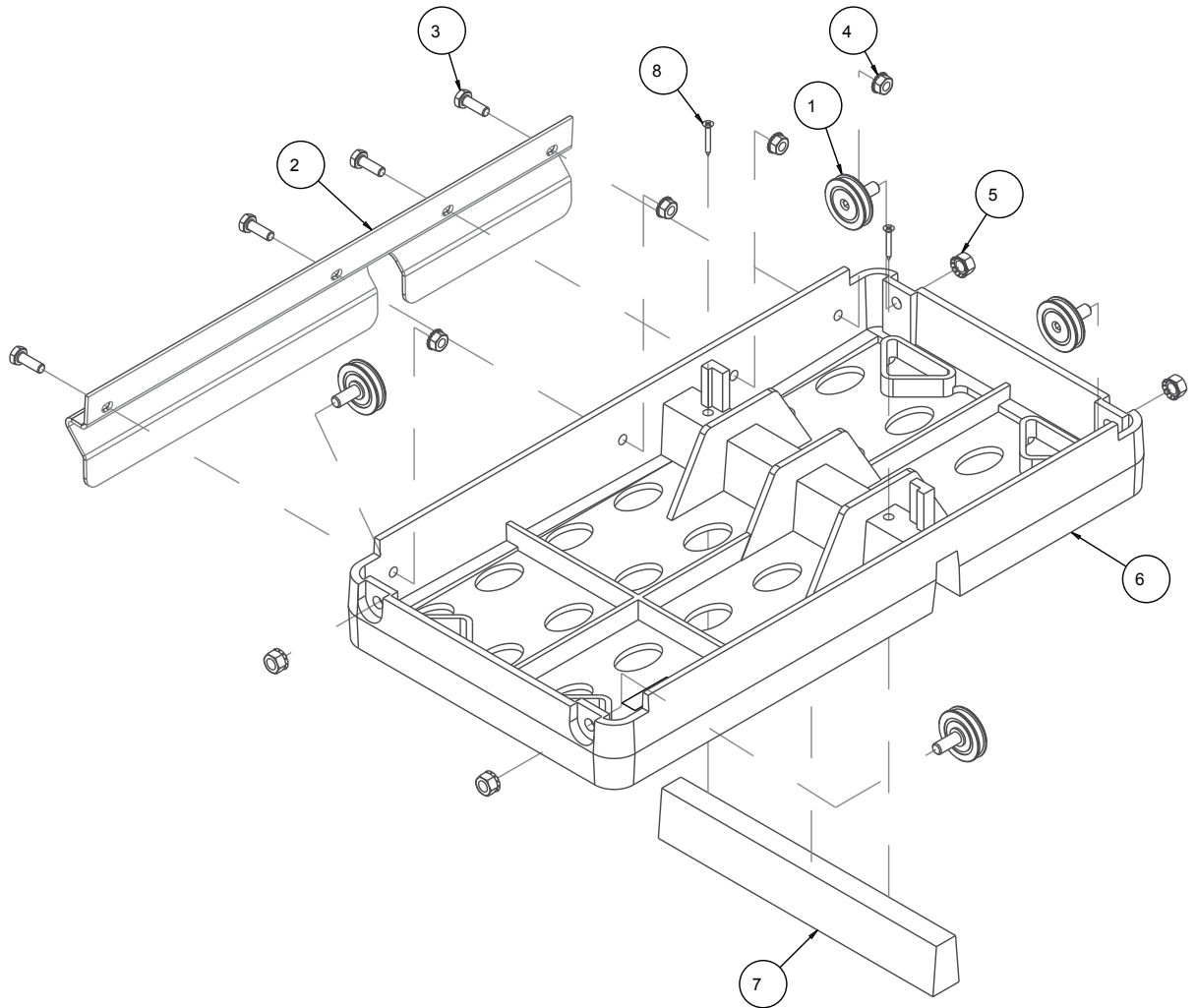
BX-3 SAW - P/N 157721WX



BX-3 SAW - P/N 157721WX

Item	Description	Part #	Qty
1	RIP GUIDE, BRICK/BLOCK SAW	132332-MK	1
2	ASSY, CONVYR CART	133082	1
3	WASHER, FLAT, SAE, 1/4	151915	3
4	WASHER, LOCK, SPLIT, 1/4	152591	2
5	CLAMP, CUSHION LOOP 3/8	152592	1
6	SCREW, 1/4-20 X 1/2 HEX HEAD	152608	1
7	SCREW, HEX HD, TAP, 1/4-20X1	152676	2
8	WRENCH, TILES AW, 11/16 OPEN END	153450	1
9	ROD, SPLASH CURTIAN	153956	1
10	TAG, SERIAL NUMBER, BLANK	157500-RW	1
11	LABEL, BRICK XTREME	157958	1
12	LABEL, BX3	157959	1
13	WASHER, LOCK, IT, #10	158336	1
14	SCREW, PAN HD PHIL 10-24 X 5/16	159494	1
15	DRAIN PLUG, W/RING	159529	1
16	GUARD, SPLASH	160310	1
17	COLLAR, SHAFT 3/8 X 5/8	161077	1
18	TUBING CLEAR PVC, 1/8 X 1/4 (25")	162505	1
19	TUBING, CLEAR PVC, 1/8 X 1/4 (5")	162505	1
20	CONTRACTOR GRADE 14X125X1 10MM	166308	1
21	ASSY, FRAME, BX3	171265	1
22	ASSY, CUTTING HEAD, BX3-WET	171266-W	1
23	PAN, PLASTIC	172593	1
24	CURTAIN, SPLASH	172604	1
25	FITTING, 1/4 MNPT X GRDN HOSE	172609	1
26	BRACKET, HOSE MOUNTING	172610	1
27	FITTING, 1/4 MNPT X 1/4 TUBE	172611	1
28	FITTING, 1/8 MNPT X 1/4 TUBE	172612	1
29	VALVE, BALL, 1/8 FNPT X 1/8 MNPT	172613	1
30	FITTING, BODY, SINGLE SIDED, WATER JET	172614-1	1
31	FITTING, BODY, 2-SIDED, WATER JET	172614-2	1
32	FITTING, WATER JET	172615	1
33	SCREW, PAN HD, SS, SEAL, #8-32 X 1/2	172616	2
34	O-RING, 11	172629	2

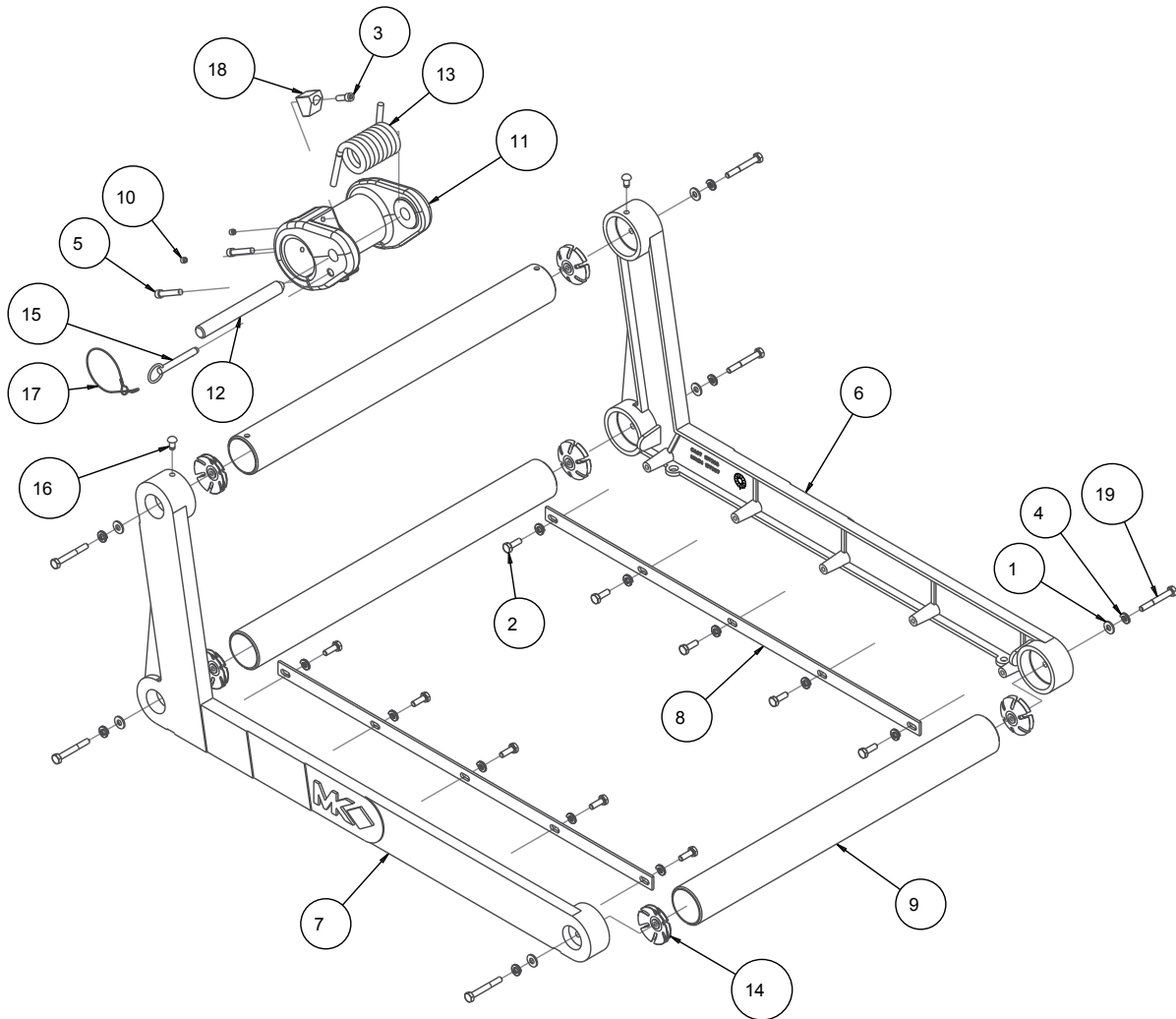
ASSY, CONVYR CART BX-3 - P/N 133082



ASSY, CONVYR CART BX-3 - P/N 133082

Item	Description	Part #	Qty
1	WHEEL, CONVEYOR CART	133090	4
2	BACKSTOP, CONVEYOR CART	134387	1
3	SCREW, HEX HD, 1/4-20 X3/4	152370	4
4	NUT, HEX, TW, 1/4-20	153941	4
5	NUT, HEX TW, 5/15-18	153942	4
6	TABLE, D.C. COMP	158144	1
7	WOOD STRIP, TABLE INSERT	158283	1
8	SCREW, DRYWL, FLAT, HD #6X1	159906	2

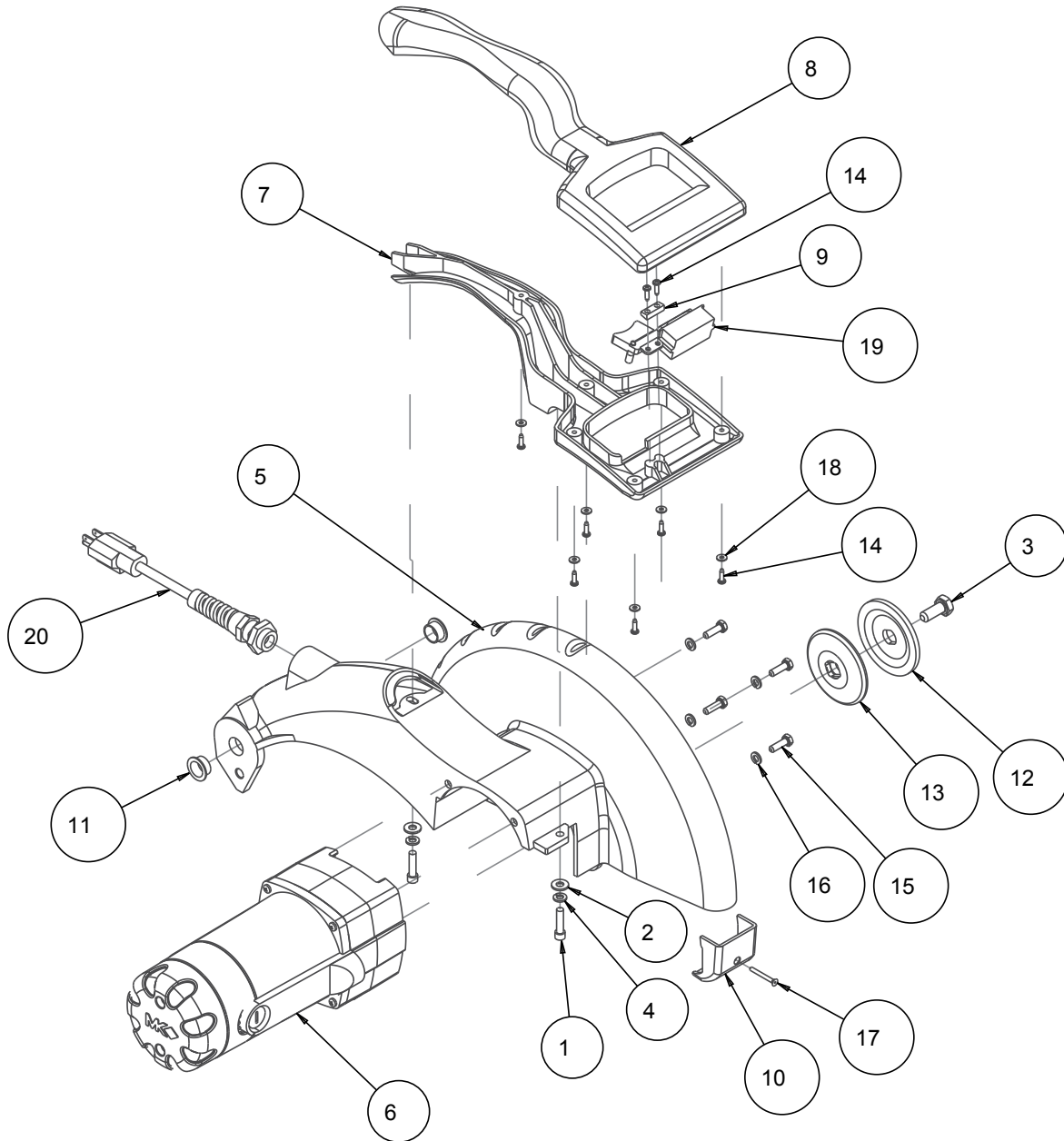
ASSY, FRAME BX-3 - P/N 171265



ASSY, FRAME BX-3 - P/N 171265

Item	Description	Part #	Qty
1	WASHER, FLAT, SAE, 1/4	151915	6
2	SCREW, HEX HD, 1/4-20X3/4	152370	10
3	SCREW, 1/4-20 X 3/4 SOCKET HEAD CAP	152587	1
4	WASHER, LOCK, SPLIT, 1/4	152591	16
5	SCREW, SOC HD CAP, 1/4-20 X 1	154683	2
6	DC FRAME, RIGHT (COMP)	157367	1
7	DC FRAME, LEFT (COMP)	157369	1
8	RAIL, TABLE GUIDE	157383	2
9	SUPPORT, HORIZ FRAME	157384	3
10	SCREW, SET, 1/4-20X 1/4	157528	2
11	CLAMP, PIVOT (COMP)	157593	1
12	PIN, PIVOT	157645	1
13	SPRING, TORSION	157702	1
14	TUBE CONNECTOR 1/4-20	157930	6
15	PIN, DETENT, W/RING PULL	157933	1
16	STUD, GROOVED, #16X1/2	158071	2
17	LANYARD, 3/64X8" GALVNZD STEEL	158072	1
18	BLOCK, STOP	158226	1
19	SCREW, HEX HD 1/4-20 X 2	158282	6

BX-3 - ASSY, CUTTING HEAD P/N 171266



SUBSTITUTION TABLE		157599	157801-C
P/N	DESCRIPTION		
171266-W	ASSY, CUT HEAD, BX3-WET	157599-W	SAME

BX-3 - ASSY, CUTTING HEAD P/N 171266

Item	Description	Part #	Qty
1	SCREW, SOC HD CAP, 1/4-20 X 1	151049	2
2	WASHER, FLAT, SAE, 1/4	151915	2
3	SCREW, M10X1/5 HEX HD CAP	152272	1
4	WASHER, LOCK, SPLIT, 1/4	152591	2
5	ARM, MOTOR MOUNT (COMP)	157599	1
6	MTR, 115V, 15A, AC	157801-C	1
7	HANDLE, LOWER	157875	1
8	HANDLE, UPPER	157874	1
9	PLATE, SWITCH MOUNTING	157876	1
10	WIRE COVER, BX3	157880	1
11	BUSHING, FLANGE	157932	2
12	FLANGE, OUTER	158105	1
13	FLANGE, Ø 3.0 INNER	158106	1
14	SCREW, PAN HD, M3.5X12MM	158156	8
15	SCREW, HEX HEAD CAP, M6X1X20MM	158158	4
16	WASHER, LOCK, SPLIT, M6	158159	4
17	SCREW, FLAT HD, ALN, #6-32X1-1/4	158160	1
18	WASHER, FLAT, SAE, #6	158231	6
19	ASSY, SWITCH	158323-MK	1
20	HARNESS, WIRE	158329-R	1