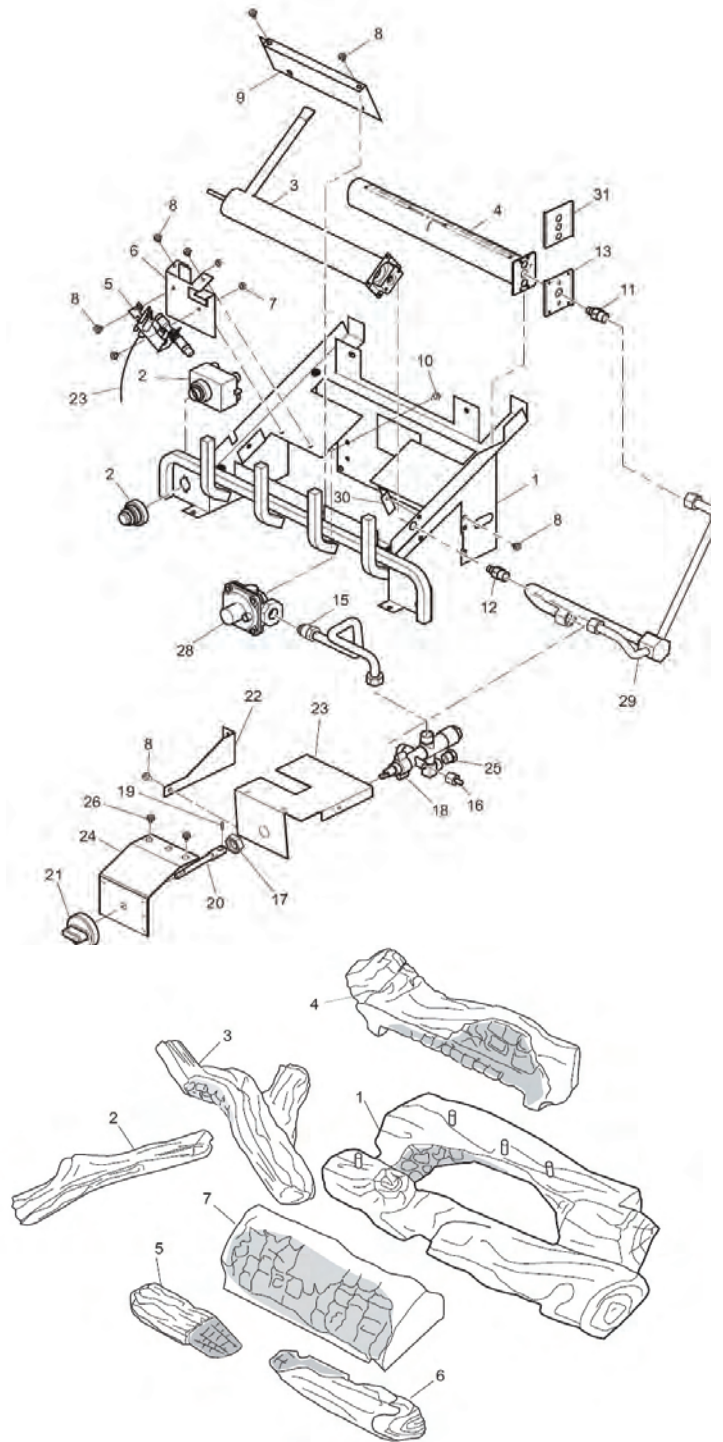


# FMI Ember Master EZ Manual Dual Flame Vent Free Logs

MODELS: EZ18N, EZ18P, EZ24N, EZ24P,

	Part Number	Description
1	**	Ramp Burner Assembly
2	111435-01	Electronic Ignitor
3	112465-01	Ramp Front Burner 18"
	112465-02	Ramp Front Burner 24"
4	112466-01	Ramp Rear Burner 18"
	112466-02	Ramp Rear Burner 24"
5	107485-01	ODS Pilot, Natural Gas
	107486-01	ODS Pilot, Propane/LP Gas
6	112713-01SA	Pilot Bracket, Natural Gas
	112713-02	Pilot Bracket, Propane/LP Gas
7	098249-01	Nut, ODS
8	M11084-26	Screw
9	112782-02SA	Air Deflector Bracket 24"
	112782-03SA	Air Deflector Bracket 18"
10	M11084-38	Screw
11	101004-04	Rear Burner Orifice, Natural 18/24
	101004-02	Rear Burner Orifice, Propane/LP 24
	101004-15	Rear Burner Orifice, Natural
12	101004-11	Front Burner Orifice, Natural 18"
	101004-10	Front Burner Orifice, Propane 18"
	101004-22	Front Burner Orifice, Natural 24"
	101004-06	Front Burner Orifice, Propane 24"
13	107634-01	NG Conversion Plate
14	098304-01	Screw
15	117934-01	Inlet Tube 18"
	117934-02	Inlet Tube 24"
16	099387-08	Pilot Tube
17	098508-01	Valve Retainer Nut
18	119583-05	Control Valve (NG)
	119583-06	Control Valve (LP)
19	098325-01	Roll Pin
20	098462-03	Control Rod
21	098354-01	Control Knob
22	119676-01	Valve Bracket
23	117944-01SA	Manual Valve Bracket
24	117943-01SA	Control Rod Bracket
25	098276-01	Plug, 1/8" NPTF Hex-Head
26	M11084-37	Screw
27	098271-12	Ignitor Cable
28	098867-09	Gas Regulator, Natural Gas
	098867-10	Gas Regulator, Propane/LP
29	117935-01	Burner Tube
30	119701-01	Log Support Bracket
<b>PARTS AVAILABLE NOT SHOWN</b>		
	100563-01	Warning Plate
	101054-01	Lighting Instruction Plate
	101137-02	Hardware Kit
	GA6060	Lava Rock
<b>LOGS</b>		
1	114984-01	Middle Log 24"
	114984-12	Middle Log 18"
2	114984-02	Left Top Log 24"
	114984-13	Left Top Log 18"



	Part No.	Description
3	114984-03	Right Top Log 24"
	114984-14	Right Top Log 18"
4	114984-04	Rear Log 24"
	114984-15	Rear Log 18"
5	114984-05	Left Control Cover Log
6	114984-06	Right Control Cover Log
7	114984-07	Ember Bed 24"
	114984-16	Ember Bed 18"