

REVISED STARTING SERIAL NO. 060210009

PARTS LIST MANUAL

10" SELF-PROPELLED SCARIFIER



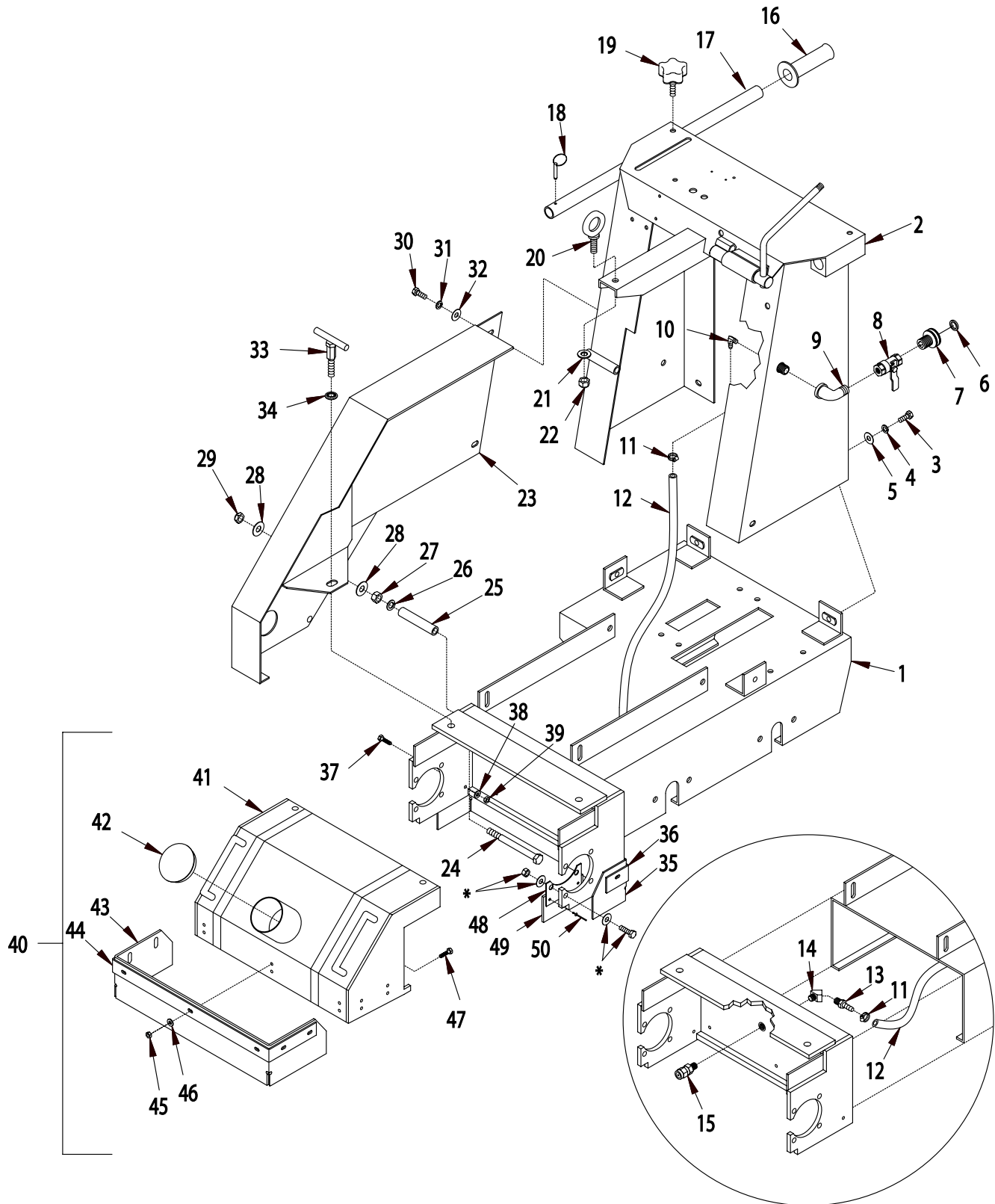
MODEL
CPU10FC-20H
SHOWN

CPU10FC SCARIFIERS

*SKU NO.	MODEL	POWER OPTION
73400	CPU10FC-20H	20 HP HONDA GX620, GASOLINE ENGINE
73500	CPU10FC-13H	13 HP HONDA GX390, GASOLINE ENGINE
73700	CPU10FC-12KC	12 HP KOHLER COMMAND CS12T, GASOLINE ENGINE
73600-230	CPU10FC-10B/230/3	10 HP BALDOR 3 PHASE MOTOR 230 VOLT, 23 FLA, ELECTRIC MOTOR
73600-460	CPU10FC-10B/460/3	10 HP BALDOR 3 PHASE MOTOR 460 VOLT, 11.5 FLA, ELECTRIC MOTOR

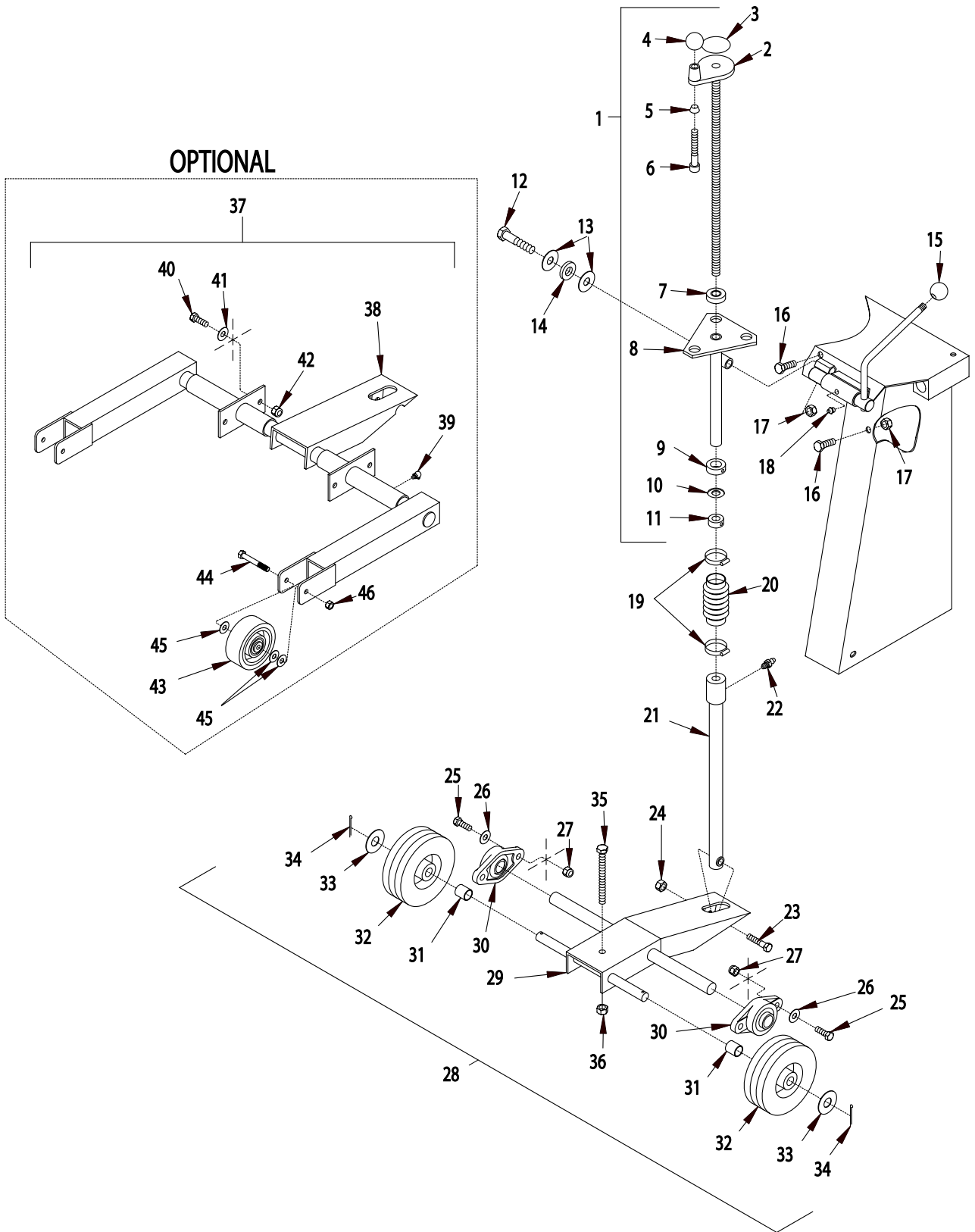
*ADD AN "R" SUFFIX TO ANY SKU NO. LISTED FOR SCARIFIER WITH OUTRIGGER FRONT WHEELS

ILLUSTRATION 1: FRAME GROUPING



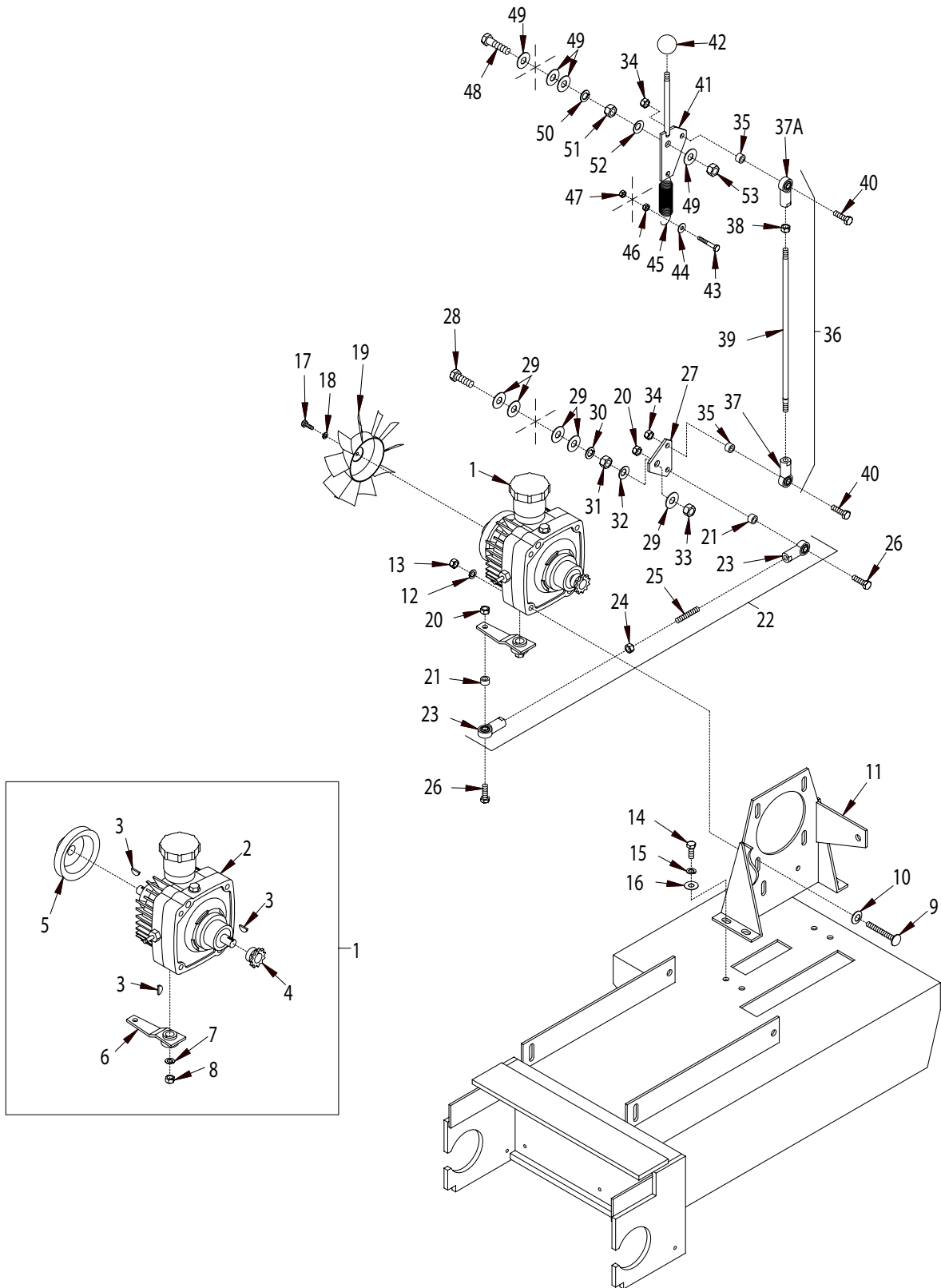
PARTS LISTING - ILLUSTRATION 1: FRAME GROUPING			
ITEM#	PART#	DESCRIPTION	QTY.
1	64401	MAIN FRAME	1
2	64007	CONSOLE	1
3	10055	SCREW, CAP 3/8-16 x 1	3
4	10811	WASHER, LOCK 3/8	3
5	10025	WASHER, FLAT 3/8	3
6	10070	WASHER, HOSE 3/4	1
7	80021	CONN., SWIVEL FEM. 3/4HOSE X 1/2MPT (INCLUDES ITEM 6)	1
8	10711	VALVE, BALL 1/2 FPT	1
9	10724	ELBOW, STREET 1/2 NPT x 90°(BLACK)	1
10	10799	BARB, ELBOW 90°, 3/8 HOSE x 1/4 MPT	1
11	10714	CLAMP, HOSE SIZE M4 ADJ. TO 5/8"	2
12	64058	HOSE, WATER 3/8"ID x 37"L	1
13	50075	BARB, 3/8 HOSE x 1/4 MPT	1
14	10716	ELBOW, STREET 1/4 NPT x 45°(BRASS)	1
15	80029	NOZZLE, SPRAY 1/4 NPT(BRASS)	1
16	61108	GRIP, HAND 1" MODEL SX	2
17	51024	HANDLE BAR 24"L	2
18	10145	PIN, DETENT RING 3/16 x 1-5/16" EFF. L	2
19	51230	KNOB, STAR CLAMPING(3/8-16 x 1 STUD)	2
20	10837	BOLT, EYE 1/2-13 x 1-1/2 x 1-1/8"ID	1
21	10312	WASHER, FLAT 1/2 SAE	1
22	10155	NUT, HEX NYLON LOCK 1/2-13	1
23	64070	COVER, BELT	1
24	64071	SCREW, CAP 1/2-13 x 5-1/2	1
25	64072	SPACER, BELT COVER 1/2"ID x 3-7/8"L	1
26	10045	WASHER, LOCK 1/2	1
27	10417	NUT 1/2-13	1
28	10312	WASHER, FLAT 1/2	2
29	10157	NUT, HEX NYLON JAM 1/2-13	1
30	10055	SCREW, CAP 3/8-16 x 1	2
31	10811	WASHER, LOCK 3/8	2
32	10025	WASHER, FLAT 3/8	2
33	64003	LOCK, HOOD	2
34	11522	WASHER, SERRATED BELLEVILLE .489" ID	2
35	64406	RUBBER SEAL, REAR	1
36	64405	RETAINING BRKT., REAR SEAL	1
37	10031	SCREW, CAP 1/4-20 X 1	4
38	10602	WASHER, FLAT 1/4	4
39	10150	NUT, HEX NYLON LOCK 1/4-20	4
40	64402A	HOOD SUBASSEMBLY (INCLUDES ITEMS 41-47)	1
41	64402	HOOD ONLY	1
42	64030	PLUG, CAP 3" TUBE	1
43	64404	RUBBER SEAL, FRONT	1
44	64403	RETAINING BRKT., FRONT SEAL	1
45	10150	NUT, HEX NYLON LOCK 1/4-20	7
46	10602	WASHER, FLAT 1/4	7
47	10031	SCREW, CAP 1/4-20 X 1	7
--	64407	RUBBER SEAL W/ BRKT. (INCLUDES ITEMS 48 & 49)	1
48	64408	RETAINING BRKT., SIDE SEAL	2
49	64409	RUBBER SEAL, SIDE	2
50	11643	RIVET, BLIND 3/16"DIA	4
51	10816	SCREW, CAP 3/8-24 X 1-1/2 (SEE ILLUS. 9, ITEM 4)	-
52	10025	WASHER, FLAT 3/8 SAE (SEE ILLUS. 9, ITEM 5)	-
53	10152	NUT, HEX NYLON LOCK 3/8-24 (SEE ILLUS. 9, ITEM 6)	-

ILLUSTRATION 2: LIFTING SYSTEM GROUPING



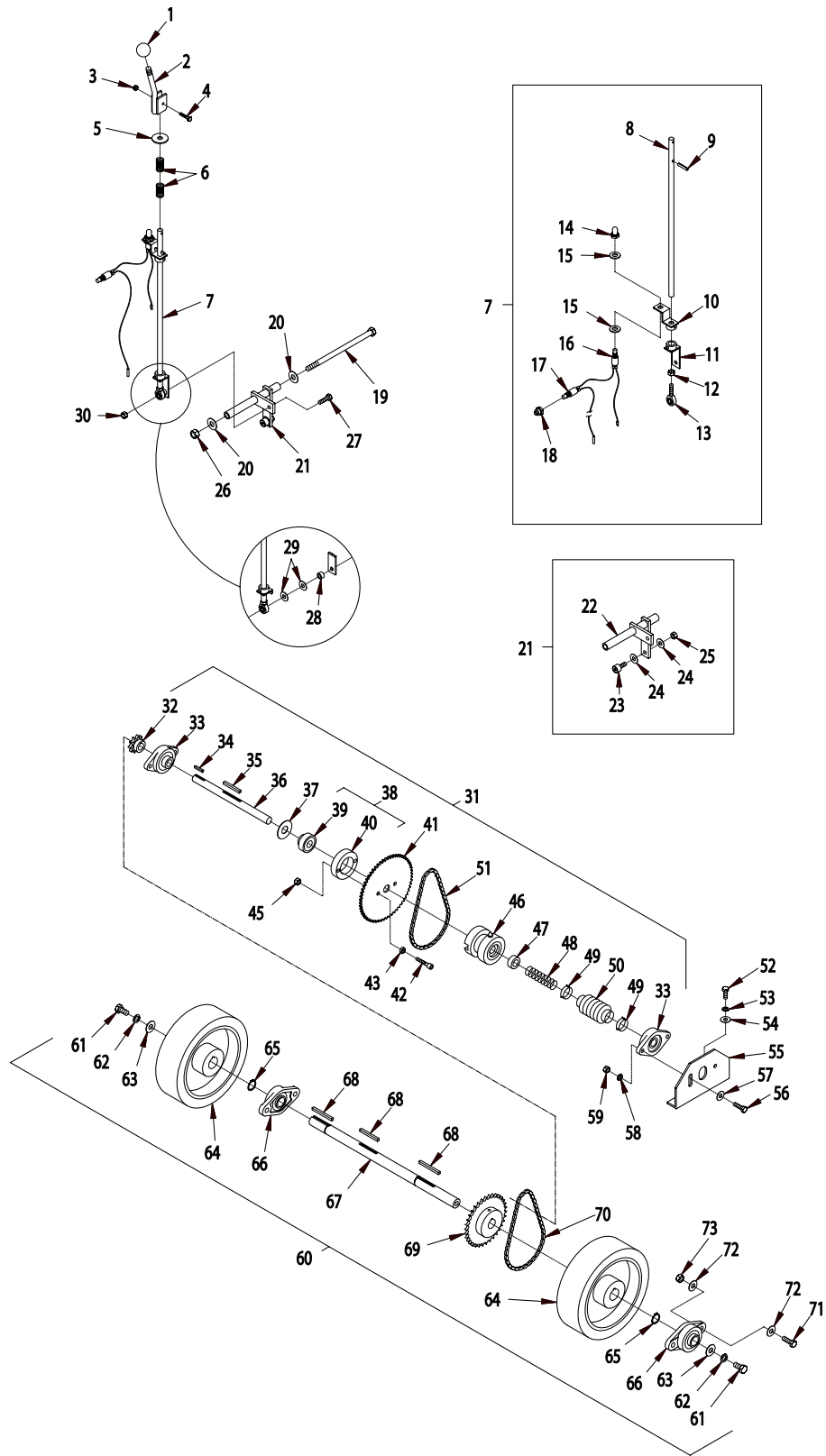
PARTS LISTING - ILLUSTRATION 2: LIFTING SYSTEM GROUPING			
ITEM#	PART#	DESCRIPTION	QTY.
1	64011A	HANDWHEEL SUBASSEMBLY (INCLUDES ITEMS 2-11)	1
2	64011	HANDWHEEL, SMALL W/ 5/8-8 x 20" ROD	1
3	80007	DECAL, CUT CONTROL DN-UP(SMALL ROUND)	1
4	14023	KNOB, BALL 1-3/8"DIA. W/1/2-13 THREADS	1
5	50550	SLEEVE FOR 1/2" CAPSCREW, TAPERED	1
6	10411	SCREW, SOCKET HEAD CAP 1/2-13 x 4	1
7	85005	BEARING, BALL 5/8"ID x 1-1/2" OD THRUST	1
8	64013	LINKAGE, UPPER SUPPORT	1
9	10440	COLLAR, LOCKING 7/8" ID	1
10	10073	WASHER, FLAT 5/8	1
11	10096	COLLAR, LOCKING 5/8" ID	1
12	10326	SCREW, CAP 5/8-11 x 3	1
13	10073	WASHER, FLAT 5/8	2
14	79035	BUSHING, RUBBER 1-1/16"OD x 5/8"ID x 1/4" THK.	1
15	14023	KNOB, BALL 1-3/8"DIA. W/1/2-13 THD.	1
16	10308	SCREW, CAP 1/2-20 x 1-1/2	2
17	10154	NUT, HEX NYLON LOCK 1/2-20	2
18	10808	FITTING, GREASE 1/4-28 STRAIGHT	1
19	10784	CLAMP, HOSE SIZE 20, ADJ. TO 1-3/4"	2
20	10930	BELLOWS-1-1/4" ID x 2-3/8"E.L. x 1-3/4"R.L.	1
21	64012	LINKAGE, LOWER CONTROL 18"L	1
22	10808	FITTING, GREASE 1/4-28 STRAIGHT	1
23	10347	SSCREW, CAP 1/2-20 X 2-1/4	1
24	10154	NUT, HEX NYLON LOCK 1/2-20	1
25	10003	SCREW, CAP 7/16-20 x 1-1/4"	4
26	10062	WASHER, FLAT 7/16	4
27	10153	NUT, HEX NYLON 7/16-20	4
28	64006A	FORK SUBASSEMBLY (INCLUDES ITEMS 29-36)	1
29	64006	FORK	1
30	62022	BEARING, BALL 1" 2-HOLE FLANGE	2
31	64031	SPACER, WHEEL 3/4" ID x 1"L	2
32	80028	WHEEL 6 x 2 x 3/4" BEARING	2
33	10009	WASHER, FLAT 3/4	2
34	10306	PIN, COTTER 3/16 x 1-1/4	2
35	10373	BOLT, TAP 1/2-13 x 5(FULL THREAD)	1
36	10417	NUT 1/2-13	1
37	64450	OUTRIGGER WHEEL ASSEMBLY COMPLETE (INCLUDES ITEMS 38-46)	1
38	64451	OUTRIGGER FORK	1
39	10961	FITTING, GREASE 1/4-28 x 90°	2
40	10003	SCREW, CAP 7/16-20 x 1-1/4	4
41	10062	WASHER, FLAT 7/16	4
42	10153	NUT, HEX NYLON LOCK 7/16-20	4
43	10932	WHEEL 4 x 1-1/2 x 3/8" BRG., POLY TREAD	2
44	10815	SCREW, CAP 3/8-24 x 2-3/4	2
45	10025	WASHER, FLAT 3/8	6
46	10004	NUT, LOCK 3/8-24	2

ILLUSTRATION 3: TRANSMISSION GROUPING



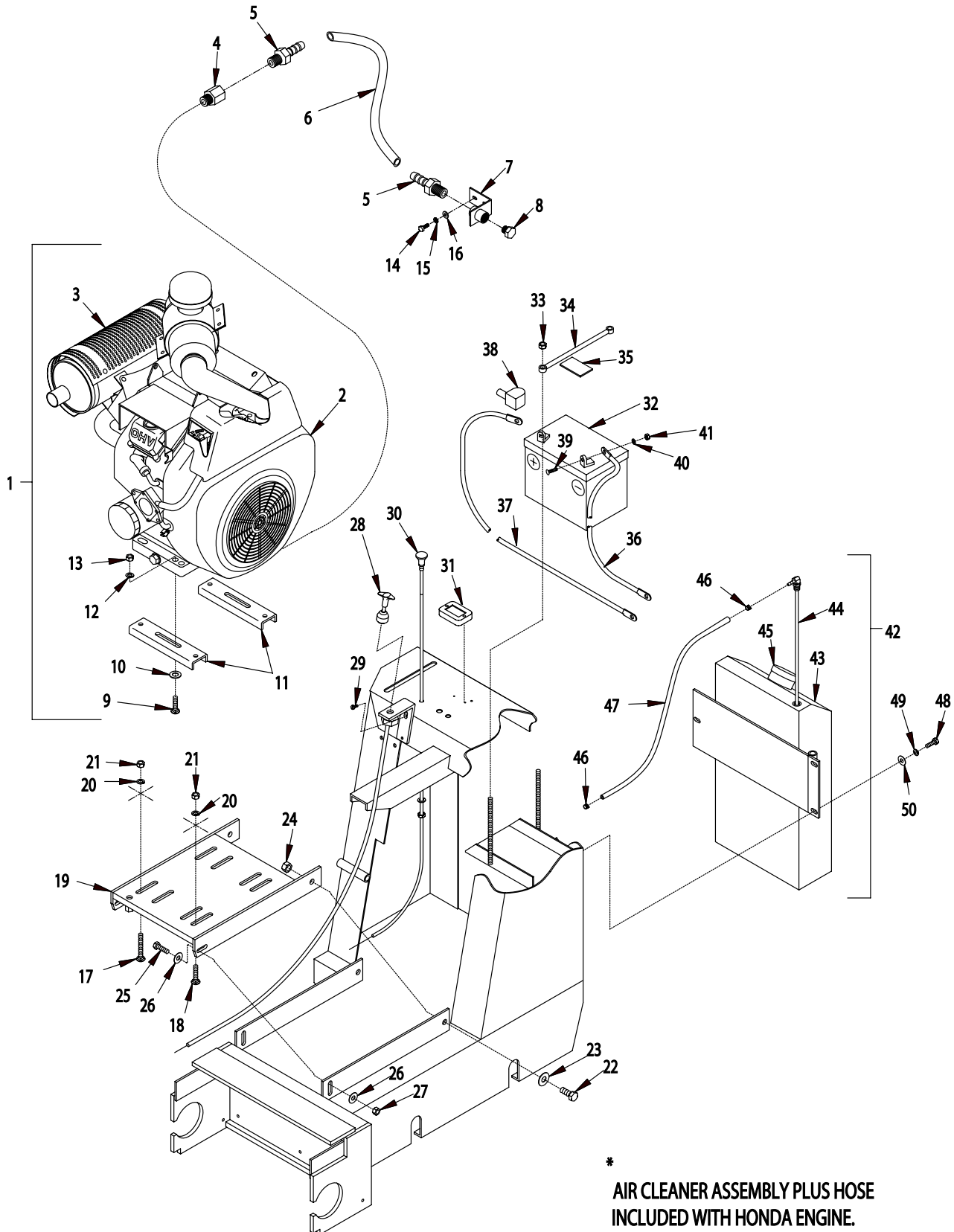
PARTS LISTING - ILLUSTRATION 3: TRANSMISSION GROUPING			
ITEM#	PART#	DESCRIPTION	QTY.
1	50061A	TRANSMISSION SUBASSEMBLY (INCLUDES ITEMS 2-8)	1
2	50061	TRANSMISSION, HYDROSTATIC	1
3	50071	KEY, WOODRUFF 1/8 x 1/2(#404)	3
4	50048	SPROCKET #3511 x .67" BORE	1
5	50062	SHEAVE, HYD. TRANS. 4"OD x 1Gr. x .671"B	1
6	64022	TRANSMISSION CONTROL ARM	1
7	10811	WASHER, LOCK 3/8	1
8	10404	NUT 3/8-16	1
9	10909	BOLT, CARRIAGE 3/8-16 x 3	4
10	10040	WASHER, GARRET 1"OD x 17/32"ID x .054"T	4
11	64018	MOUNT, TRANSMISSION	1
12	10811	WASHER, LOCK 3/8	4
13	10404	NUT 3/8-16	4
14	10055	SCREW, CAP 3/8-16 x 1	4
15	10811	WASHER, LOCK 3/8	4
16	10025	WASHER, FLAT 3/8	4
17	10018	SCREW, CAP 1/4-20 x 3/4	1
18	10038	WASHER, LOCK 1/4	1
19	50266	FAN BLADE W/ PLATE 7", TRANSMISSION	1
20	10152	NUT, HEX NYLON LOCK 3/8-24	2
21	10011	SPACER, STEEL 5/8"OD x 3/8"ID x 3/8"	2
22	64024A	LINKAGE SUBASSY., DRIVE HORIZ.(INCLUDES ITEMS 23-25)	1
23	10919	ROD END, FEMALE 3/8-24 R.H. THREADS	2
24	10014	NUT 3/8-24	1
25	64024	ROD, ALL THREAD 3/8-24 x 2"L	1
26	10816	SCREW, CAP 3/8-24 x 1-1/2	2
27	64021	BELL CRANK, DRIVE LINKAGE	1
28	10322	SCREW, CAP 1/2-20 x 2	1
29	10312	WASHER, FLAT 1/2	5
30	10045	WASHER, LOCK 1/2	1
31	10417	NUT 1/2-13	1
32	10040	WASHER, GARRET 1"OD x 17/32"ID x .054"T	1
33	10154	NUT, HEX NYLON LOCK 1/2-20	1
34	10152	NUT, HEX NYLON LOCK 3/8-24	2
35	10011	SPACER, STEEL 5/8"OD x 3/8"ID x 3/8"	2
36	64023A	LINKAGE SUBASSY., DRIVE VERT. (INCLUDES ITEMS 37-39)	1
37	10919L	ROD END, FEMALE 3/8-24 L.H. THREAD	1
37A	10919	ROD END, FEMALE 3/8-24 R.H. THREAD	1
38	10014	NUT 3/8-24	1
39	64023	LINKAGE, ROD 3/8 x 14-1/4"L	1
40	10816	SCREW, CAP 3/8-24 x 1-1/2	2
41	64020	LEVER, DRIVE	1
42	10920	KNOB, BALL 1-3/8"DIA. W/ 5/16-24 THD.	1
43	10314	SCREW, CAP 1/4-20 x 1-3/4	1
44	10602	WASHER, FLAT 1/4	1
45	50074	SPRING, EXT. 1"OD x 3-15/16" INSIDE ENDS	1
46	10015	NUT, LOCK 1/4-20	1
47	10150	NUT, HEX NYLON LOCK 1/4-20	1
48	10322	SCREW, CAP 1/2-20 x 2	1
49	10312	WASHER, FLAT 1/2	4
50	10045	WASHER, LOCK 1/2	1
51	10417	NUT 1/2-13	1
52	10040	WASHER, GARRET 1"OD x 17/32"ID x .054"T	1
53	10154	NUT, HEX NYLON LOCK 1/2-20	1

ILLUSTRATION 4: CLUTCH & REAR AXLE GROUPING



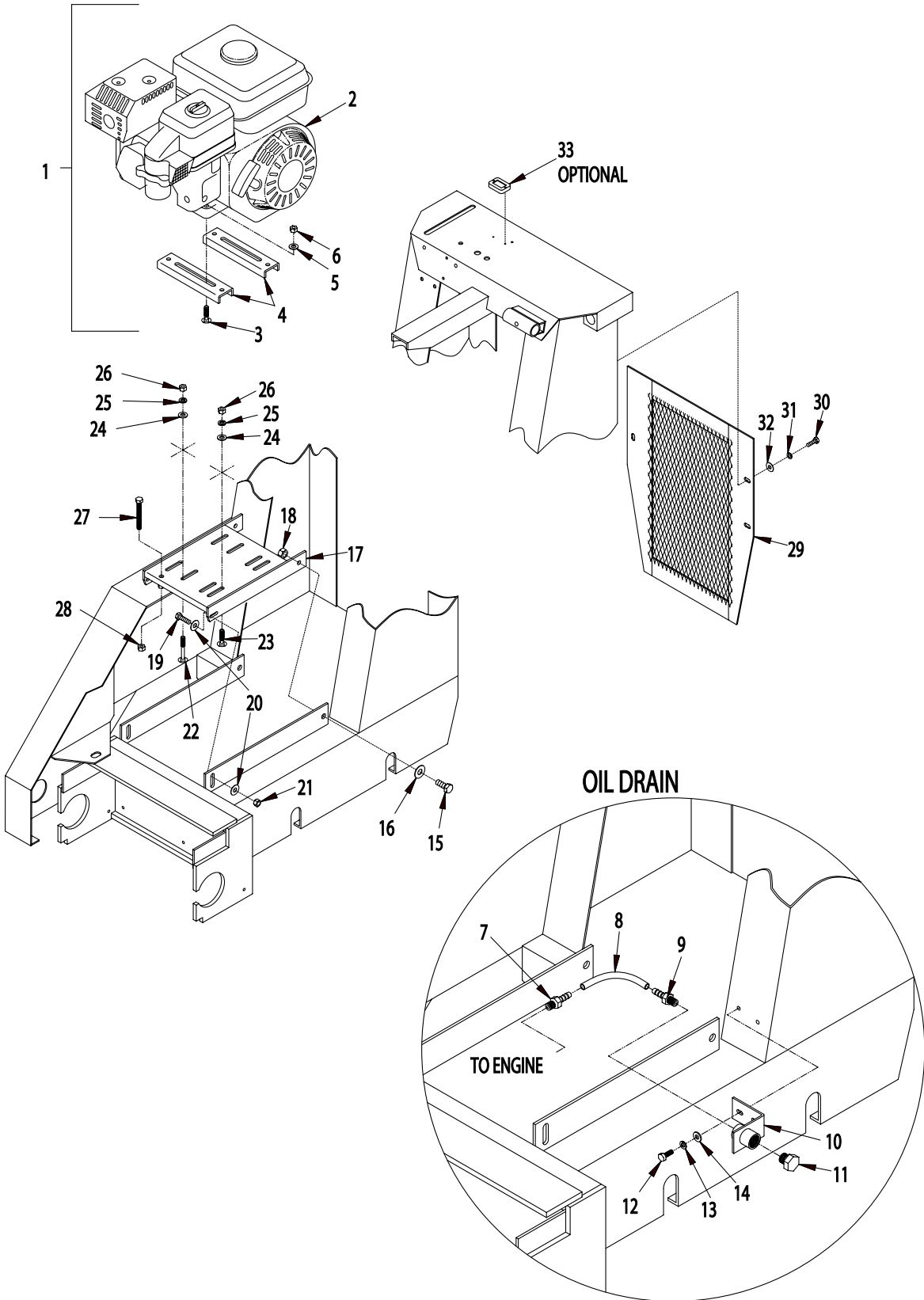
PARTS LISTING - ILLUSTRATION 4: CLUTCH & REAR AXLE GROUPING							
ITEM#	PART#	DESCRIPTION	QTY.	ITEM#	PART#	DESCRIPTION	QTY.
1	14023	KNOB, BALL 1-3/8"DIA. W/1/2-13 THD.	1	39	57038	BEARING, BALL 3/4"ID x 1.8504"OD	1
2	64025	LEVER, CLUTCH	1	40	57039	CARRIER, CLUTCH BEARING	1
3	10150	NUT, HEX NYLON LOCK 1/4-20	1	41	50476	SPROCKET, CLUTCH #35A60	1
4	10905	SCREW, CAP 1/4-20 x 1-1/4	1	42	10354	SCREW, SKT. HEAD CAP 3/8-24 x 1-3/4	2
5	10433	WASHER, BELLEVILLE SPRING 1/2"ID x 3/32"	1	43	10113	SPACER, STEEL 9/16"OD x 3/8"ID x 7/32"	2
6	10921	SPRING, COMP. .72"OD x 1.25"FL x .08"WD	2	45	10152	NUT, HEX NYLON LOCK 3/8-24	2
7	57126A	CLUTCH LINKAGE SUBASSEMBLY (INCLUDES ITEMS 8-18)	1	46	50477	CLUTCH, DOG, SUBASSEMBLY	1
				*	57042	CLUTCH, DOG BLOCK	1
8	57126	LINKAGE, CLUTCH 19-1/4"L	1	*	3695	SEAL, OIL .750 x 1.375 x .250	1
9	10024	PIN, ROLL 1/4 x 1-1/4	1	*	10808	FITTING, GREASE 1/4-28 STRAIGHT	1
10	64082	BRACKET, SAFETY SWITCH	1	47	57044	CLUTCH, SPRING CUP	1
11	57151	BRACKET, CLUTCH LINKAGE LOCK	1	48	10922	SPRING, COMP. 1"OD x 3.75"FL x .105"WD	1
12	10014	NUT 3/8-24	1	49	10768	CLAMP, HOSE, SAE #16, ADJ. TO 1-1/2"	2
13	3605	ROD END, MALE 3/8-24	1	50	10930	BELLOWS: 1-1/4"ID x 2-3/8"E.L. x 1-3/4"R.L.	1
14	10997	BOOT, RED RUBBER, STOP SWITCH	1	51	64032	CHAIN #35 x 24-1/2" L.O.A. (INCLUDES #35 CONNECTING LINK)	1
15	10312	WASHER, FLAT 1/2	2				
16	10992	SWITCH,PUSHBUTTON, 1PST N.O., MOMENT.	1	52	10055	SCREW, CAP 3/8-16 x 1	2
17	10887	SWITCH,PUSHBUTTON, 1PST N.C., MOMENT.	1	53	10811	WASHER, LOCK 3/8	2
18	10674	BOOT, TOGGLE SWITCH	1	54	10025	WASHER, FLAT 3/8	2
19	10408	SCREW, CAP 1/2-13 x 9	1	55	50509	MOUNT, JACKSHAFT BEARING	1
20	10312	WASHER, FLAT 1/2	2	56	10309	SCREW, CAP 3/8-24 x 1-1/4	4
21	64026A	BELLCRANK SUBASSEMBLY, CLUTCH (INCLUDES ITEMS 22-25)	1	57	10025	WASHER, FLAT 3/8	4
				58	10811	WASHER, LOCK 3/8	4
22	64026	BELL CRANK, CLUTCH	1	59	10014	NUT 3/8-24	4
23	10924	CAM FOLLOWER BRG. 3/4 x 3/8-24 THD.	1	60	64028A	AXLE & WHEEL SUBASSEMBLY (INCLUDES ITEMS 61-69)	1
24	10025	WASHER, FLAT 3/8	2				
25	10152	NUT, HEX NYLON LOCK 3/8-24	1	61	10914	SCREW, CAP 1/2-13 x 1	2
26	10155	NUT, HEX NYLON LOCK 1/2-13	1	62	10045	WASHER, LOCK 1/2	2
27	10030	SCREW, CAP 3/8-24 x 2	1	63	10433	WASHER, BELLEVILLE SPRING 1/2"ID x 3/32	2
28	10011	SPACER, STEEL 5/8"OD x 3/8"ID x 3/8"	1	64	50098	WHEEL 8 x 2 x 1" BORE	2
29	10025	WASHER, FLAT 3/8	2	65	10906	RETAINING RING, EXT. 1"	2
30	10152	NUT, HEX NYLON LOCK 3/8-24	1	66	62022	BEARING, BALL 1" 2-HOLE FLANGE	2
31	64027A	CLUTCH & JACKSHAFT SUBASSEMBLY (INCLUDES ITEMS 32-50)	1	67	64028	AXLE SHAFT 1"RD x 20-3/8"L	1
				68	10307	KEY 1/4"SQ. x 2-1/4"L	3
32	50436	SPROCKET #40B10 x 3/4" BORE	1	69	61126	SPROCKET #40B34 x 1"BORE	1
33	50049	BEARING, BALL 3/4" 2-HOLE FLANGE	2	70	64033	CHAIN #40 x 25-3/4"L (INCLUDES #40 OFFSET & CONNECTING LINKS)	1
34	50523	KEY 3/16"SQ. x 1-1/8"L	1				
35	10307	KEY 1/4"SQ. x 2-1/4"L	1	71	10003	SCREW, CAP 7/16-20 x 1-1/4	4
36	64027	JACKSHAFT, CLUTCH 10-1/2"L	1	72	10062	WASHER, FLAT 7/16	8
37	10009	WASHER, FLAT 3/4	1	73	10153	NUT, HEX NYLON LOCK 7/16-20	4
38	57038A	BEARING & CARRIER ASSEMBLY, CLUTCH (INCLUDES ITEMS 39 & 40)	1				

ILLUSTRATION 5: HONDA ENGINE GROUPING FOR 20HP UNITS



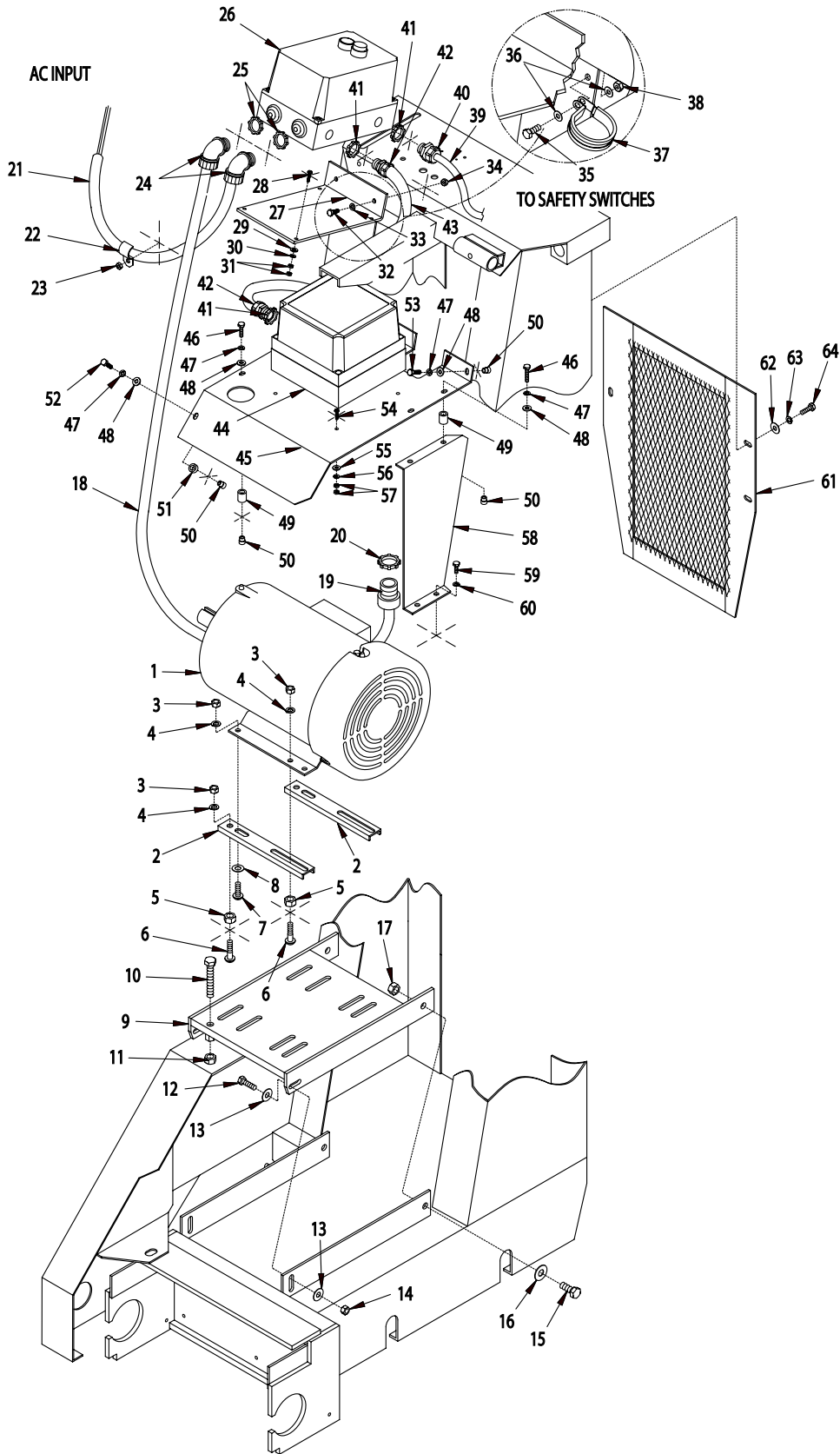
PARTS LISTING-ILLUSTRATION 5: HONDA ENGINE GROUPING FOR 20HP UNITS							
ITEM#	PART#	DESCRIPTION	QTY.	ITEM#	PART#	DESCRIPTION	QTY.
1	15056A	ENGINE SUBASSY., HONDA 20HP (INCLUDES ITEMS 2-13)	1	28	51081	CABLE, TURN-TO-LOCK CONTROL 72" (CUT TO LENGTH 54")	1
2	15056	ENGINE, HONDA 20HP GX620-K1TZF2	1	29	10846	SCREW, SELF-TAP HEX WASHER 1/4-20x1/2	2
3	15168	MUFFLER, HONDA VHRM3	1	30	15129	CABLE, CHOKE 72" (CUT TO LENGTH 58")	1
4	11533	FITTING, ADAPTER 6-M14 x 1.5 TO 1/4-18 NPT	1	31	15138	METER, HOUR REDINGTON INDUCTIVE	1
5	11579	BARB, PUSH ON, 1/2 HOSE x 1/4 MPT	2	32	84011	BATTERY, 12 VOLT/300 C.C.A.	1
6	64057	HOSE, PUSH ON, 1/2ID x 10-1/2"L	1	33	10156	NUT, HEX NYLON LOCK 3/8-16	2
7	57159	BRACKET, OIL DRAIN	1	34	64008	CLAMP, BATTERY HOLD DOWN	1
8	50552	PIPE PLUG, 1/2 NPT (BRASS)	1	35	64049	RUBBER PAD 2-1/2"L x 1-1/2"W x 1/8 THICK	1
9	10087	BOLT, CARRIAGE 3/8-16 x 1-3/4	2	36	50117B	CABLE, EYE TO EYE, 4 GA. x 24" (BLACK)	1
10	10040	WASHER, GARRET 1"OD x 17/32"ID x .054"T	4	37	50117R	CABLE, EYE-EYE 4GA. X 24" (RED)	1
11	51014	MOUNT BRACKET, CHANNEL	2	38	11583	INSULATOR, BATTERY TERMINAL U-1 STYLE RED L.H.	1
12	10811	WASHER, LOCK 3/8	2	39	10818	BOLT, CARRIAGE 5/16-18 x 3/4	2
13	10404	NUT 3/8-16	2	40	10801	WASHER, LOCK 5/16	2
14	10018	SCREW, CAP 1/4-20 x 3/4	2	41	10054	NUT 5/16-18	2
15	10038	WASHER, LOCK 1/4	2	42	64014A	GAS TANK SUBASSEMBLY (INCLUDES ITEMS 43-45)	1
16	10602	WASHER, FLAT 1/4	2	43	64014	TANK, GAS (INCLUDES CAP, ITEM 45)	1
17	10335	BOLT, CARRIAGE 3/8-16 x 2-1/2	2	44	61058	TUBE, FUEL PICK UP 19"	1
18	10804	BOLT, CARRIAGE 3/8-16 x 1-1/2	2	45	61056	CAP, GAS TANK	1
19	64017	MOUNT, ENGINE	1	46	10762	CLAMP, HOSE-SPRING TYPE 3/8" GREEN	2
20	10811	WASHER, LOCK 3/8	4	47	64035	HOSE, FUEL 1/4" ID x 50"	1
21	10404	NUT 3/8-16	4	48	10053	SCREW, CAP 5/16-18 x 3/4	3
22	10321	SCREW, CAP 1/2-20 X 1-1/4	2	49	10801	WASHER, LOCK 5/16	3
23	10312	WASHER, FLAT 1/2 SAE	2	50	10213	WASHER, FLAT 5/16	3
24	10154	NUT, HEX NYLON LOCK 1/2-20	2				
25	10309	SCREW, CAP 3/8-24 X 1-1/4 PLATED	2				
26	10025	WASHER, FLAT 3/8 SAE	4				
27	10152	NUT, HEX NYLON LOCK 3/8-24	2				

ILLUSTRATION 6: ENGINE GROUPING FOR 12HP & 13HP UNITS



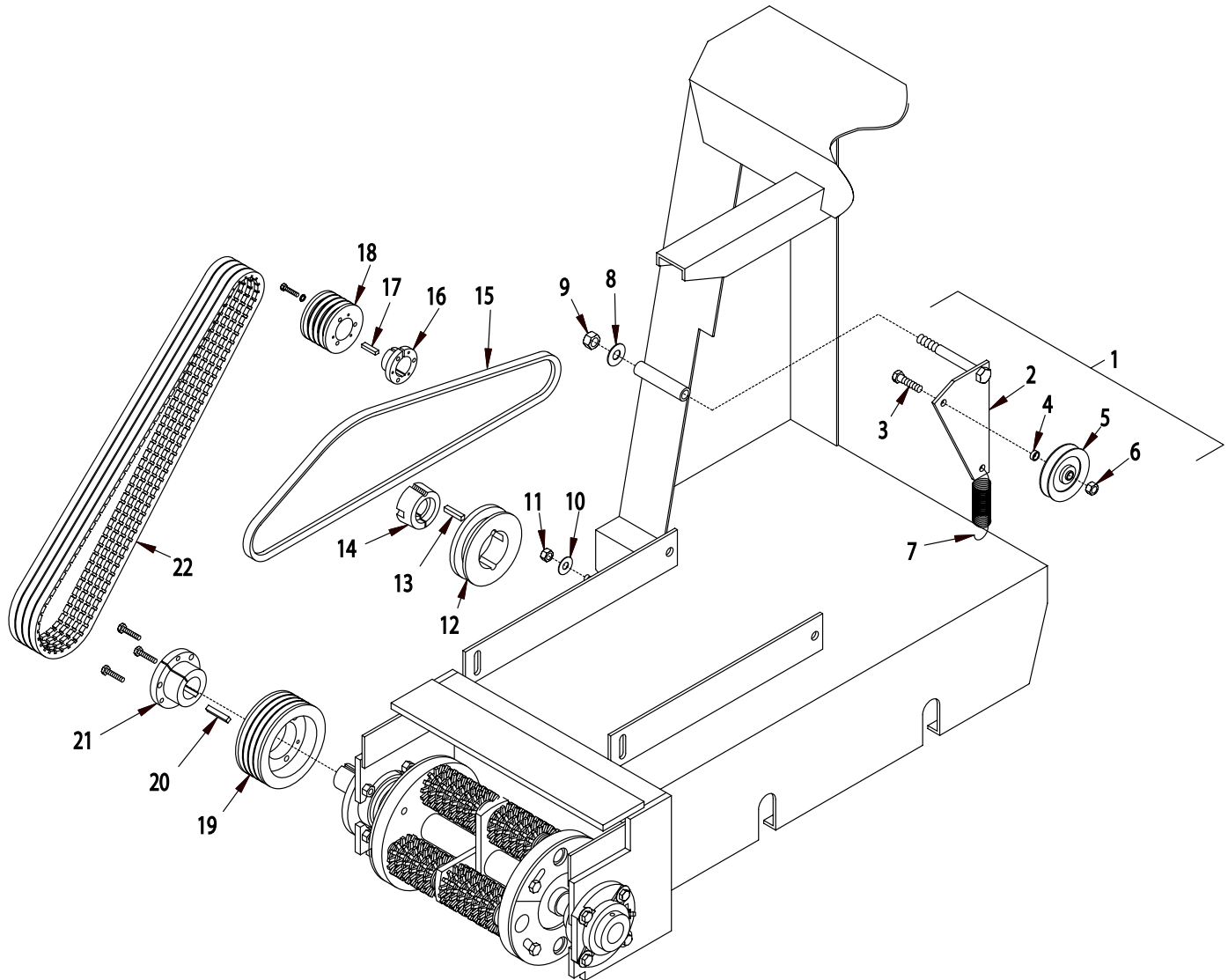
PARTS LISTING-ILLUSTRATION 6: ENGINE GROUPING FOR 12HP & 13HP UNITS			
ITEM#	PART#	DESCRIPTION	QTY.
1	15029A	ENGINE SUBASSEMBLY, HONDA 13HP(SHOWN) (INCLUDES ITEMS 2-11)	1
	15045A	ENGINE SUBASSEMBLY, KOHLER 12HP (INCLUDES ITEMS 2-11)	
2		ENGINE	1
	15029	HONDA 13HP GX390K1-QXC9 (SHOWN)	
	15045	KOHLER 12HP COMMAND PRO CS12T	
3	10804	BOLT, CARRIAGE 3/8-16 x 1-1/2	2
4	51014	MOUNT BRACKET, CHANNEL	2
5	10025	WASHER, FLAT 3/8	2
6	10404	NUT 3/8-16	2
7	11542	BARB, PUSH ON 3/8"ID x 12mm x 1.50 MALE	1
8	64068	HOSE, PUSH ON 3/8"ID x 12"L	1
9	11580	BARB, PUSH ON 3/8"ID x 1/2MPT	1
10	57159	BRACKET, OIL DRAIN	1
11	50552	PIPE PLUG, 1/2 NPT	1
12	10018	SCREW, CAP 1/4-20 x 3/4	2
13	10038	WASHER, LOCK 1/4	2
14	10602	WASHER, FLAT 1/4	2
15	10321	SCREW, CAP 1/2-20 x 1-1/4	2
16	10312	WASHER, FLAT 1/2	2
17	64017	MOUNT, ENGINE	1
18	10154	NUT, HEX NYLON LOCK 1/2-20	2
19	10309	SCREW, CAP 3/8-24 x 1-1/4	2
20	10025	WASHER, FLAT 3/8	4
21	10152	NUT, HEX NYLON LOCK 3/8-24	2
22	10908	BOLT, CARRIAGE 3/8-16 x 2-1/2	2
23	10804	BOLT, CARRIAGE 3/8-16 x 1-1/2	4
24	10025	WASHER, FLAT 3/8	4
25	10811	WASHER, LOCK 3/8	4
26	10404	NUT 3/8-16	4
27	10340	BOLT, TAP 1/2-13 x 3(FULL THREAD)	1
28	10417	NUT 1/2-13	1
29	64066	GRILL, REAR	1
30	10806	SCREW, CAP 5/16-18 x 1	3
31	10801	WASHER, LOCK 5/16	3
32	10213	WASHER, FLAT 5/16	3
33	15138	METER, HOUR, REDINGTON INDUCTIVE (OPTIONAL)	1

ILLUSTRATION 7: ELECTRIC MOTOR GROUPING



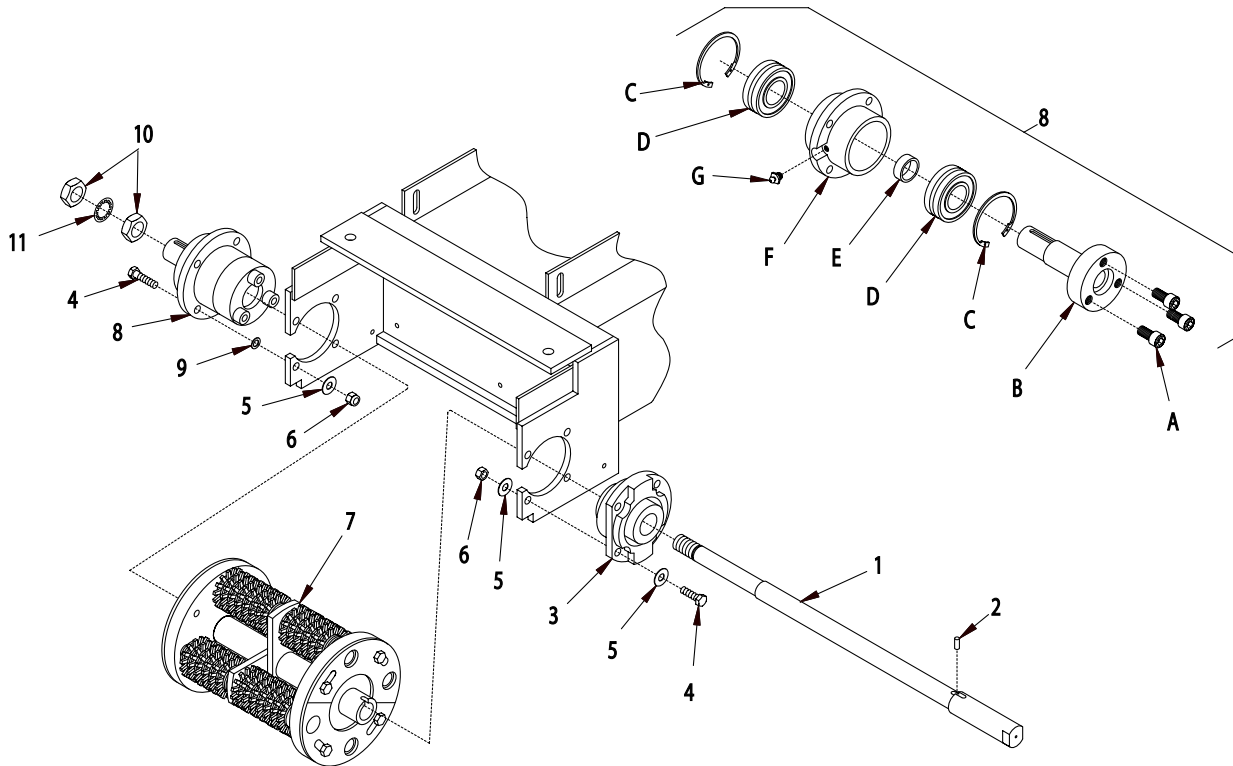
PARTS LISTING-ILLUSTRATION 7: ELECTRIC MOTOR GROUPING							
ITEM#	PART#	DESCRIPTION	QTY.	ITEM#	PART#	DESCRIPTION	QTY.
1	16004	MOTOR, BALDOR 10HP-3PH 60HZ 3450RPM	1	36	10602	WASHER, FLAT 1/4 SAE	2
2	64061	MOUNT BRKT., 10 HP BALDOR	2	37	11566	CLAMP, LOOM, 1-3/4" (SAE SIZE 28)	1
3	10404	NUT 3/8-16	6	38	10150	NUT, HEX NYLON LOCK 1/4-20	1
4	10811	WASHER, LOCK 3/8	6	39	64414	WIRE HARNESS 16/3 X 40"	1
5	10417	NUT 1/2-13	4	40	40066	STRAIN RELIEF 1/2NPT X .350-.450"	1
6	10804	BOLT, CARRIAGE 3/8-16 X 1-1/2 F.T.	4	41	10790	CONDUIT LOCK NUT 1/2 NP	3
7	10802	BOLT, CARRIAGE 3/8-16 X 1 FULL THD.	2	42	41130	STRAIN RELIEF 1/2NPT X .550-.650"	2
8	10040	WASHER, GARRET 17/32 X 1 X .054	2	43	64415	WIRE HARNESS 16/5 X 48"	1
9	64017	MOUNT, ENGINE/MOTOR	1	44	16500	TRANSFORMER W/BOX COMPLETE	1
10	10340	BOLT, TAP 1/2-13 X 3 (FULL THREAD)	1			<i>REPLACEMENT PARTS INCLUDE:</i>	
11	10417	NUT 1/2-13	1		16150	TRANSFORMER 75VA 240/480P.V.-24S.V.	1
12	10309	SCREW, CAP 3/8-24 X 1-1/4 PLATED	2		16501	ENCLOSURE, NEMA 4X, 6.9 X 6.9 X 5.9	1
13	10025	WASHER, FLAT 3/8 SAE	4		16502	ENCLOSURE PANEL 5.8 X 5.8	1
14	10152	NUT, HEX NYLON LOCK 3/8-24	2		16504	FUSE, MIDGET 600VAC, 5AMP	1
15	10321	SCREW, CAP 1/2-20 X 1-1/4	2		16505	FUSE BLOCK, SINGLE POLE W/BOX LUGS	1
16	10312	WASHER, FLAT 1/2 SAE	2		16506	SCREW, SHEET METAL 8 X 3/8 TRUSS HD	12
17	10154	NUT, HEX NYLON LOCK 1/2-20	2	45	64062	SHROUD, MOTOR	1
18	64412	WIRE HARNESS 10/4 X 66"	1	46	10905	SCREW, CAP 1/4-20 X 1-1/4	4
19	16172	STRAIN RELIEF 1"NPT X .625-.750"	1	47	10038	WASHER, LOCK 1/4	6
20	10770	CONDUIT LOCK NUT 1" NP	1	48	10602	WASHER, FLAT 1/4 SAE	6
21	64413	WIRE HARNESS 10/4 X 50"	1	49	52045	SPACER, STEEL 5/8OD X 3/8ID X 3/4L	4
22	41122	TREADLE, TRANSFER ARM	1	50	10439	THREAD-SERT 1/4-20, BLIND RIVET	6
23	10150	NUT, HEX NYLON LOCK 1/4-20	1	51	10011P	SPACER, PLTD. STL. 5/8OD X 3/8ID X 3/8	1
24	10984	CONN., LIQUID TITE 90D X 3/4NPT	2	52	10031	SCREW, CAP 1/4-20 X 1	1
25	10740	CONDUIT LOCK NUT 3/4 NP	2	53	10018	SCREW, CAP 1/4-20 X 3/4	1
26	16450	STARTER 11-M2-BRF-P32-33-02460 (230V)	1	54	10362	SCREW, MACHINE 8-32 X 3/4	4
	16447	STARTER 11-M2-BRF-P32-15-02460 (460V)	1	55	10875	WASHER, FLAT #8 SAE	4
27	64411	BRACKET, LOVATO STARTER	1	56	10461	WASHER, LOCK, INT. TOOTH #8	4
28	10362	SCREW, MACHINE 8-32 X 3/4	4	57	10462	NUT 8-32	8
29	10875	WASHER, FLAT #8 SAE	4	58	64063	SHROUD SIDE PANEL, MOTOR	1
30	10461	WASHER, LOCK, INT. TOOTH #8	4	59	10846	SCREW, CAP STSHW 1/4-20 X 1/2	2
31	10462	NUT 8-32	8	60	10038	WASHER, LOCK 1/4	2
32	10053	SCREW, CAP 5/16-18 X 3/4	2	61	64066	GRILLE, REAR	1
33	10213	WASHER, FLAT 5/16 SAE	4	62	10213	WASHER, FLAT 5/16 SAE	3
34	10807	NUT, LOCK 5/16-18	2	63	10801	WASHER, LOCK 5/16	3
35	10018	SCREW, CAP 1/4-20 X 3/4	1	64	10806	SCREW, CAP 5/16-18 X 1	3

ILLUSTRATION 8: BELT DRIVE GROUPING



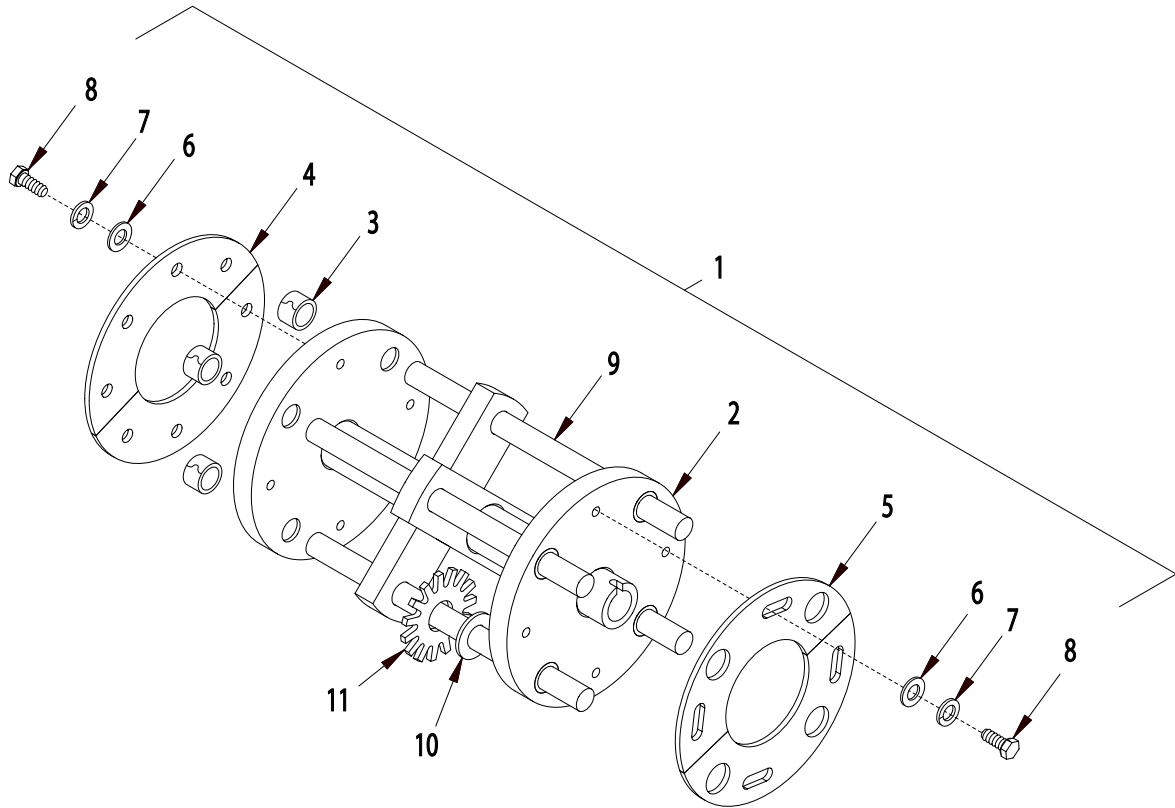
PARTS LISTING-ILLUSTRATION 8: BELT DRIVE GROUPING			
ITEM#	PART#	DESCRIPTION	QTY.
1	64019A	IDLER ARM SUBASSEMBLY (INCLUDES ITEMS 2-6)	1
2	64019	BRACKET, IDLER	1
3	10029	SCREW, CAP 3/8-24 X 1-3/4	1
4	10113	SPACER, STEEL 9/16" OD x 3/8" ID x 7/32"T	1
5	50115	PULLEY, IDLER 3"OD x 1GR.AB x 3/8" BRG.	1
6	10152	NUT, HEX NYLON LOCK 3/8-24	1
7	50074	SPRING, EXT. 1"OD x 3-15/16" INSIDE ENDS	1
8	10312	WASHER, FLAT 1/2	1
9	10155	NUT, HEX NYLON LOCK 1/2-13	1
10	10025	WASHER, FLAT 3/8	1
11	10156	NUT, HEX NYLON LOCK 3/8-16	1
12	10528	SHEAVE, 4.15"OD x 1GR.AB x TAPER LOCK	1
13	10305	KEY 1/4" SQUARE x 1-1/4"L	1
14		BUSHING, SHEAVE TAPER LOCK	1
	10529A	1-1/8" WITH COUNTERBORE (20HP HONDA)	
	10544	1" BORE (13HP HONDA)	
	10529	1-1/8" BORE (12HP KOHLER)	
	10537	1-3/8" BORE (10HP BALDOR)	
15		BELT	1
	10218	4L-450 (HONDA, 12HP KOHLER COMMAND, BALDOR)	
	10240	AP-44(20HP KOHLER COMMAND)	
16		BUSHING, SHEAVE JA	1
	10533	1-1/8" BORE (20HP HONDA)	
	10557	1" BORE (13HP HONDA)	
	10533	1-1/8" BORE (12HP KOHLER)	
	*	NO BUSHING FOR 10HP BALDOR	
17	10118	KEY, 3/8"SQ. x 2-1/4	1
18		SHEAVE	1
	64037	2.8"OD x 4Gr.3V x JA (13/20HP HONDA & 12HP KOHLER)	
	64069	3"OD x 4 Gr.3V x 1-3/8" BORE (10HP BALDOR)	
19	64038	SHEAVE 4.75"OD x 4GR. 3V x SDS	1
20	10305	KEY 1/4" SQ. x 1-1/4" L	1
21	10064	BUSHING, SHEAVE SDS x 1-1/4" BORE	1
22	10235	BELT 3VX-475	4

ILLUSTRATION 9: DRUM BEARING & AXLE GROUPING

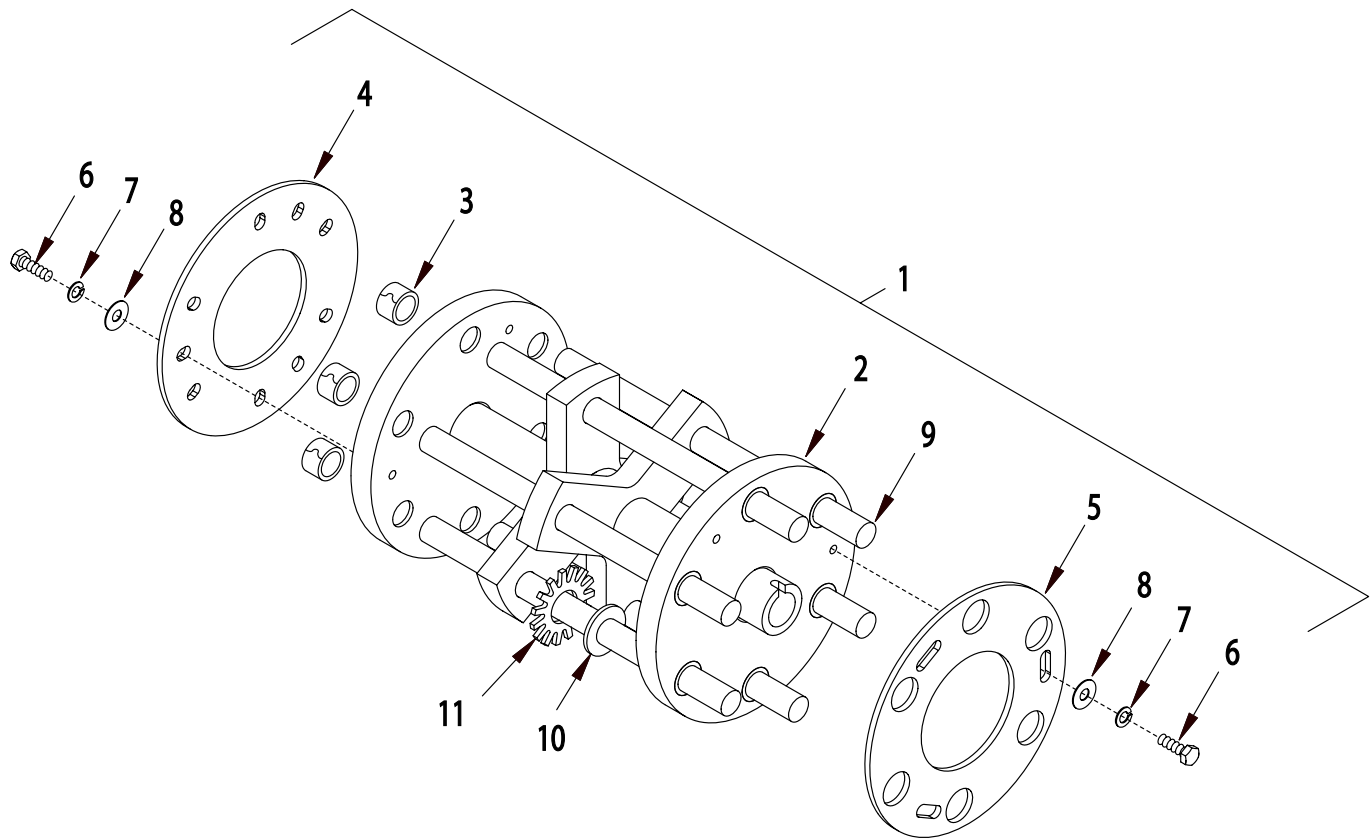


ITEM#	PART#	DESCRIPTION	QTY.
1	64410	SPINDLE SHAFT 24"	1
2	64162	PIN, DOWEL 1/4 x 5/8(.002 OVERSIZED)	1
3	84082R	BEARING, ROLLER 1-1/4 PILOT 4-HOLE NOTE: SET SCREW COLLAR REMOVED	1
4	10816	SCREW, CAP 3/8-24 x 1-1/2	8
5	10025	WASHER, FLAT 3/8	12
6	10152	NUT, HEX NYLON LOCK 3/8-24	8
7		CUTTER WHEEL DRUM ASSEMBLY COMPLETE	1
	64420	4 SHAFT CUTTER DRUM (REFER TO ILLUS. 10)	
	64430	6 SHAFT CUTTER DRUM (REFER TO ILLUS. 11)	
8	64160	BEARING & DRIVER ASSEMBLY COMPLETE	1
A	10490	SCREW, SOCKET HEAD CAP 1/2-13 x 1	3
B	64155B	HUB WITH SHAFT, DRIVE	1
C	64154	RETAINING RING, INTERNAL 2-3/16"	2
D	64152	BEARING, ROLLER 35mm x 72mm x 23mm	2
E	64153	SPACER, BEARING CENTER	1
F	64151	HOUSING, BEARING	1
G	10953	FITTING, GREASE 1/8 NPT STRAIGHT	1
9	64159	SHIM 3/8"ID x 5/8"OD x .031"THK. (USE WHEN REQ'D)	2
10	10445	NUT, JAM 7/8-9 LEFT HAND THREAD	2
11	64158	WASHER, INT. TOOTH 7/8	1

ILLUSTRATION 10: STANDARD 4-SHAFT CUTTER DRUM GROUPING



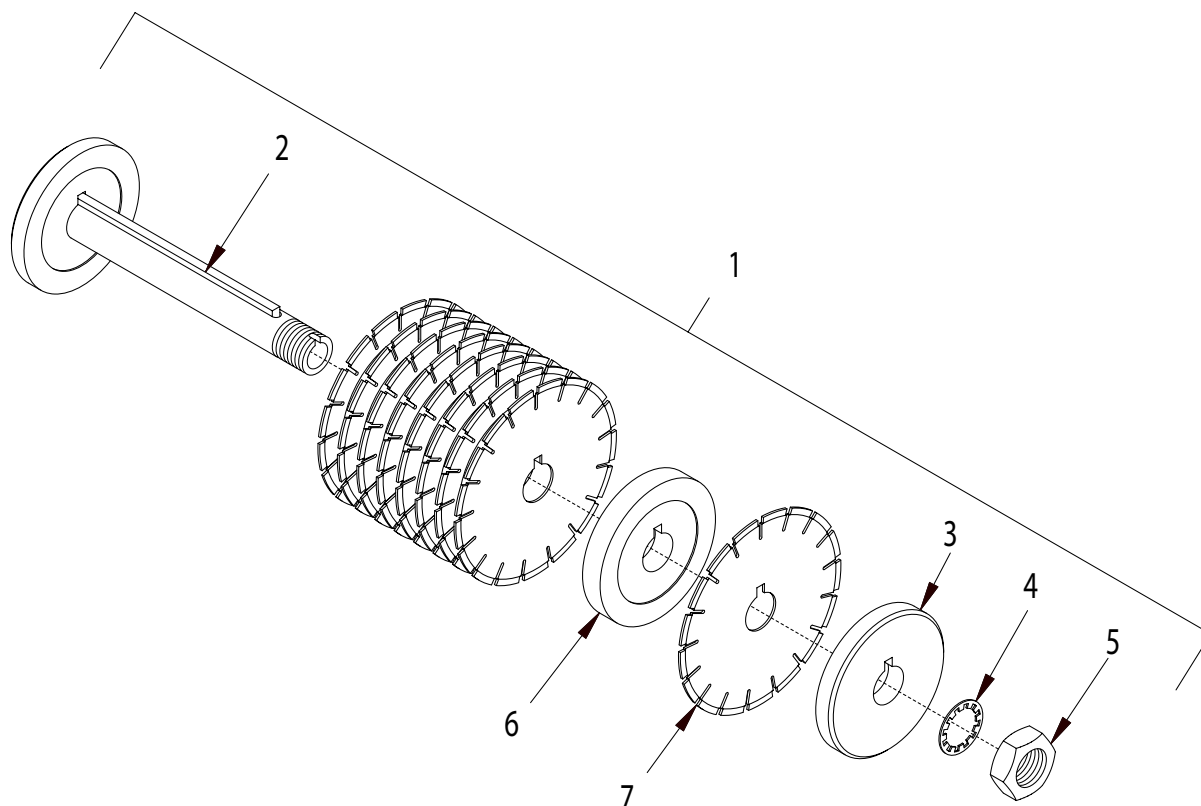
ITEM#	PART#	DESCRIPTION	QTY.
1	64420	DRUM ASSEMBLY COMPLETE, 4 SHAFT (INCLUDES ITEMS 2-9)	1
2	64421	DRUM ONLY, 4-SHAFT	1
3	84063	BUSHING, DRUM, HARDENED STEEL 3/4"ID	8
4	64203	RETAINING PLATE (2-HALVES) 7-3/8"	1
5	64204	LOCKING PLATE (2-HALVES) 7-3/8"	1
6	10025	WASHER, FLAT 3/8	8
7	10811	WASHER, LOCK 3/8	8
8	10912	SCREW, CAP 3/8-16 x 7/8(GRADE 8)	8
9	20120	CP406B SHAFT 3/4 X 11-3/8	4
10	20060	CP403 SPACER 1-1/2"OD x 3/4"ID	*
11		CUTTER WHEEL	*
	20136	CP408TV CUTTER WHEEL, 3-1/8" CARBIDE, 1-3/16" HOLE	
	20056	CP405P CUTTER WHEEL, 3" POINTED	
	20086	CP405 CUTTER WHEEL, 3" FLAT TOOTH	
<p>*NOTE: CUTTER WHEELS AND SPACERS ARE NOT INCLUDED WITH THE DRUM ASSEMBLY. THE NUMBER OF CUTTER WHEELS AND SPACERS VARY WITH THE TYPE OF SET UP USED. REFER TO ASSEMBLY INSTRUCTIONS FOR SUGGESTED SET UPS AND QUANTITIES.</p>			

ILLUSTRATION 11: OPTIONAL 6-SHAFT CUTTER DRUM GROUPING


ITEM#	PART#	DESCRIPTION	QTY.
1	64430	DRUM ASSEMBLY COMPLETE, 6-SHAFT (INCLUDES ITEMS 2-9)	1
2	64431	DRUM ONLY, 6-SHAFT	1
3	84063	BUSHING, DRUM, HARDENED STEEL 3/4"ID	12
4	64253	RETAINING PLATE, 6-SHAFT DRUM	1
5	64254	LOCKING PLATE, 6-SHAFT DRUM	1
6	10806	SCREW, CAP 5/16-18 x 1	6
7	10801	WASHER, LOCK 5/16	6
8	10213	WASHER, FLAT 5/16	6
9	20120	CP406B SHAFT 3/4 X 11-3/8	6
10	20060	CP403 SPACER 1-1/2" OD x 3/4" ID	*
11		CUTTER WHEEL	*
	20326	CP308T CUTTER WHEEL, 2-1/4 CARBIDE	
	20076	CP404 CUTTER WHEEL, 2-3/8" FLAT TOOTH, 1" HOLE	
	20296	CP404-P6 CUTTER WHEEL, 2-3/8" POINTED, 3/4" HOLE	

***NOTE:**

CUTTER WHEELS AND SPACERS ARE NOT INCLUDED WITH THE DRUM ASSEMBLY. THE NUMBER OF CUTTER WHEELS AND SPACERS VARY WITH THE TYPE OF SET UP USED. REFER TO ASSEMBLY INSTRUCTIONS FOR SUGGESTED SET UPS AND QUANTITIES.

ILLUSTRATION 12: OPTIONAL DIAMOND GROOVING HEAD GROUPING


ITEM#	PART#	DESCRIPTION	QTY.
1	64440	DIAMOND GROOVING HEAD ASSEMBLY (INCLUDES ITEMS 2-5)	1
2	64441	ARBOR, DIAMOND GROOVING HEAD	1
3	64303	ARBOR, BLADE RETAINING CAP 6"	1
4	64304	WASHER, LOCK, INT. TOOTH 1-1/2	1
5	64305	NUT, JAM 1-1/2-12	1
6		SPACER, BLADE	*
	64306	6" OD x 1-1/2" ID x .063" THK	
	64307	6" OD x 1-1/2" ID x .430" THK	
	64308	6" OD x 1-1/2" ID x .930" THK	
	64309	6" OD x 1-1/2" ID x 3/4" THK	
7		DIAMOND BLADE	*
	39807	8" DIA. x .090" THK x 1.5" w/KEYWAY DCC-05S	
	39810	8" DIA. x .250" THK x 1.5" w/KEYWAY DCC-05S	
	39850	8" DIA. x .250" THK x 1.5" w/KEYWAY (GRANITE)	
	39851	8" DIA. x .125" THK x 1.5" w/KEYWAY (C-OE-8)	
*NOTE: DIAMOND BLADES AND SPACERS ARE NOT INCLUDED WITH HEAD ASSEMBLY. THE QUANTITIES VARY WITH THE TYPE OF SET UP USED.			