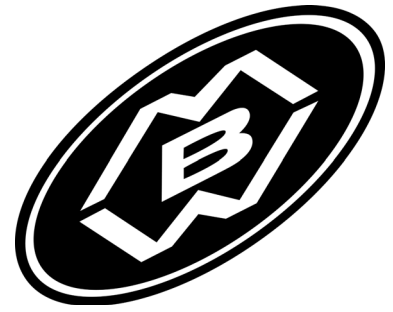


# OPERATOR'S SAFETY AND SERVICE MANUAL



## GPR15-24 GPR15-26 GPR15-28

This manual covers the following serial numbers and higher for each model listed:

GPR15-24.....	1520001
GPR15-26.....	1530001
GPR15-28.....	1540001



## REVERSIBLE PLATES

**MBW, Inc.**  
250 Hartford Rd • PO Box 440  
Slinger, WI 53086-0440  
Phone: (262) 644-5234  
Fax: (262) 644-5169  
Email: [mbw@mbw.com](mailto:mbw@mbw.com)  
Website: [www.mbw.com](http://www.mbw.com)

**MBW (UK) Ltd.**  
Units 2 & 3 Cochrane Street  
Bolton BL3 6BN, England  
Phone: 01204 387784  
Fax: 01204 387797

**MBW FRANCE S.A.R.L.**  
Phone: +33 (0) 3 44 07 15 96

L20619 / 10.17.A  
©MBW, Inc. 2011  
Printed in the USA

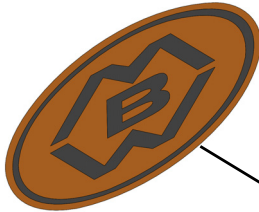
# GASOLINE MODEL

IDLE ← THROTTLE → RUN  
19492

#19492

HYDRAULIC OIL  
#15844 15844

FORWARD  
↓  
↑  
REVERSE  
#14665



#21139

ENGINE OIL DRAIN  
#15844 15844

#15844

**CAUTION**

Failure to follow these instructions may result in death or serious injury. Always use proper safety practices. For more information, see the operator's manual. © 2011 Husqvarna AB. All rights reserved. Printed in Sweden.

GPR1520E - 275 lbs (125 kg) GPR1500E - 305 lbs (141 kg)  
GPR1525E - 340 lbs (155 kg) GPR1505E - 365 lbs (165 kg)

#21349 BOTH SIDES



#21038

**WARNING**

ROTATING PARTS can crush and cut. Keep hands away!

#12573

UNLEADED GASOLINE  
#13481

**DUEL PLATE OPERATING INSTRUCTIONS**

1. Check engine oil level.
2. Check fuel level.
3. Set engine speed control in the middle position.
4. Move decompression lever (if equipped) to the up position. (Located on top of the engine)
5. Use key (if equipped) or starting handle to start engine. (Refer to engine instruction book for proper "Manual Starting" procedure.)
6. After starting return engine speed control to the idle position and allow engine to reach operation temperature.
7. During operation run engine at full throttle, when excessive kickback is noticed maximum compaction has been reached.
8. To stop, return throttle to the idle position and allow engine to idle for one minute then move control to stop position.

#13482

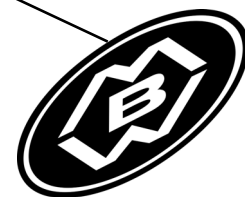
**WARNING**

OPERATION OF THIS EQUIPMENT MAY CREATE SPARKS THAT CAN START FIRES AROUND DRY VEGETATION. A SPARK ARRESTER MAY BE REQUIRED. THE OPERATOR SHOULD CONTACT LOCAL FIRE AGENCIES FOR LAWS OR REGULATIONS RELATING TO FIRE PREVENTION.

#19791



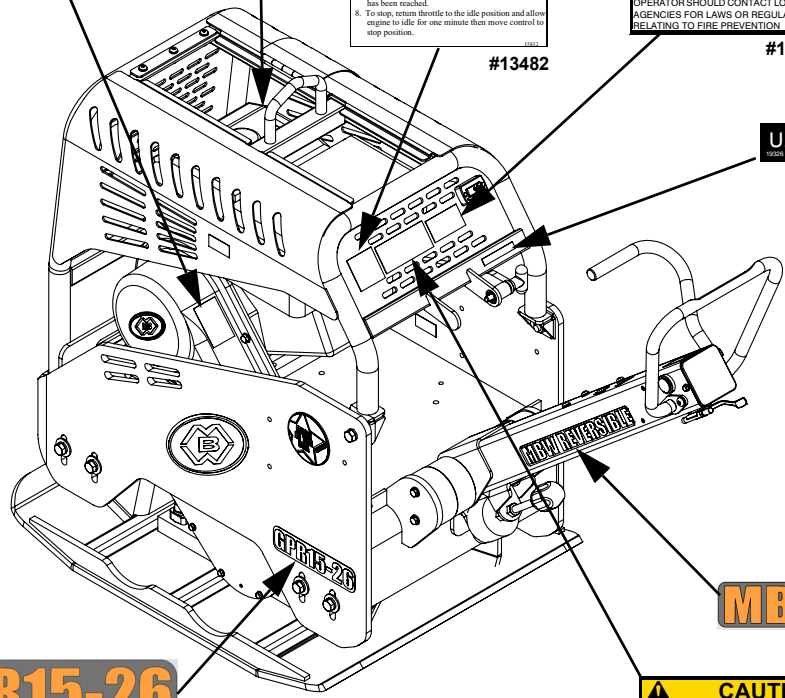
#21080



#21058 BOTH SIDES

U.S. PATENT 7,165,469  
2004 HYDRAULIC PLATE

#19326



**MBW REVERSIBLE**

#21348 BOTH SIDES

**GPR15-26**

- #21283 GPR15-24
- #21284 GPR15-26
- #21285 GPR15-28

**CAUTION**

Read the operating instructions before operating this piece of equipment.

Always use proper safety practices. Failure to follow these instructions may result in death or serious injury.

**ROTATING & MOVING PARTS:** Keep hands and feet away from the equipment. Always wear eye protection and safety glasses. Do not drink alcohol or use drugs while operating this equipment.

**HEARING PROTECTION:** Wear hearing protection when operating this equipment. Failure to do so may result in permanent hearing loss.

**DO NOT RUN** in an enclosed area. The engine produces carbon monoxide, a POISONOUS GAS.

Failure to comply could result in serious bodily injury.

#20019

Safety Decals: GPR15 (Decal Set #16031)

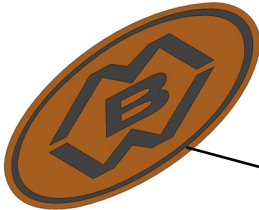
# DIESEL MODEL

**USE ONLY  
ULTRA-LOW  
SULFUR  
DIESEL FUEL**

#01623

HYDRAULIC OIL  
#15844

STOP IDLE RUN  
THROTTLE 19493



#21139

ENGINE OIL DRAIN  
#15844

#15844



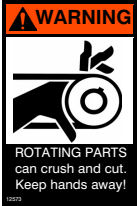
#14665



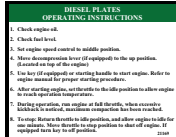
#21349 BOTH SIDES



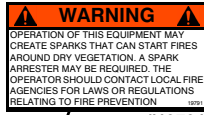
#21038



#12573



#21169



#19791



#21080



#21058 BOTH SIDES

U.S. PATENT 7,165,469  
1938 HYDRAULIC PLATE

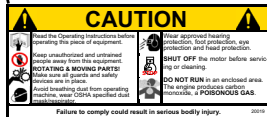
#19326

**MBW REVERSIBLE**

#21348 BOTH SIDES

**GPR15-26**

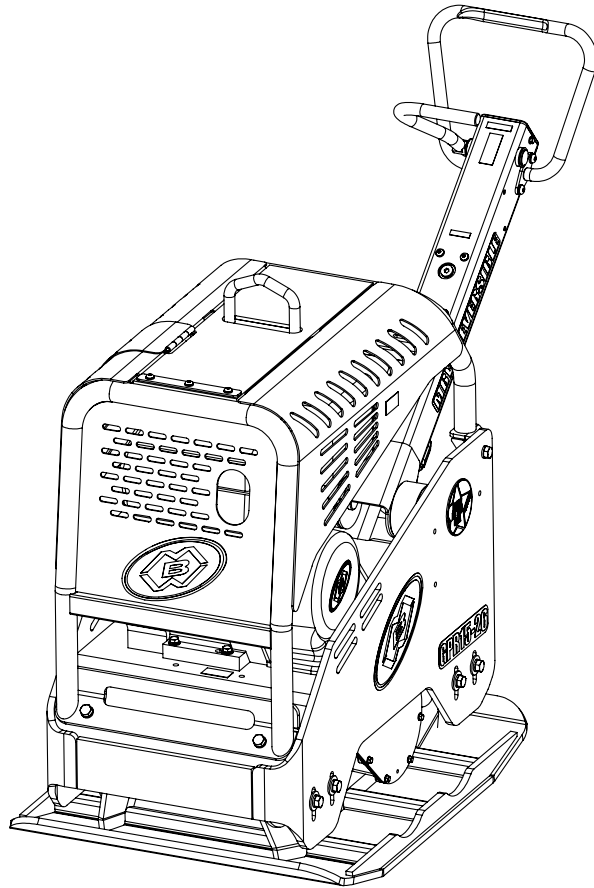
#21283 GPR15-24  
#21284 GPR15-26  
#21285 GPR15-28



#20019

Safety Decals: GPR15 (Decal Set #16031)

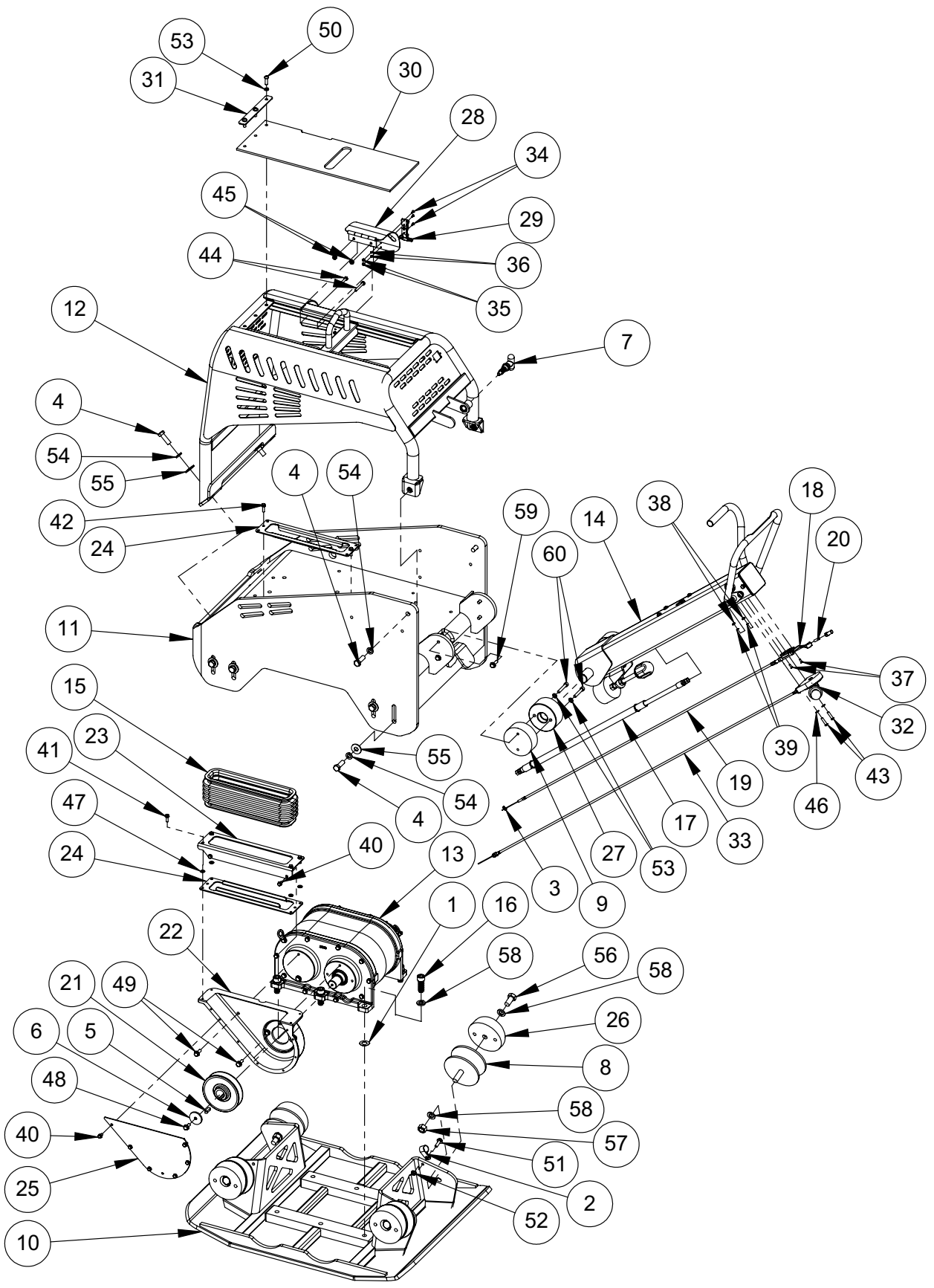
# SPECIFICATIONS



	<b>GPR15-24</b>		<b>GPR15-26</b>		<b>GPR15-28</b>	
<b>CENTRIFUGAL FORCE</b>	14792 lbf (65.8 kN)		14792 lbf (65.8 kN)		14792 lbf (65.8 kN)	
<b>EXCITER (VPM)</b>	4150 vpm		4150 vpm		4150 vpm	
<b>TRAVEL SPEED</b>	90 ft./min. (27 m/min.)		87 ft./min. (26.5 m/min.)		85 ft./min. (26 m/min.)	
<b>COMPACTION DEPTH</b>	28 in (71 cm)		28 in (71 cm)		28 in (71 cm)	
<b>WIDTH x LENGTH</b>	24 x 33 in. (61 x 84 cm)		26 x 33 in. (66 x 84 cm)		28 x 33 in. (71 x 84 cm)	
<b>OPERATING WEIGHT</b>	893 lb. (405 kg)	968 lb. (439 kg)	915 lb. (415 kg)	990 lb. (449 kg)	926 lb. (420 kg)	1000 lb. (454 kg)
<b>ENGINE</b>	Honda GX390 (389 cm <sup>3</sup> )	Hatz 1B40 (462 cm <sup>3</sup> )	Honda GX390 (389 cm <sup>3</sup> )	Hatz 1B40 (462 cm <sup>3</sup> )	Honda GX390 (389 cm <sup>3</sup> )	Hatz 1B40 (462 cm <sup>3</sup> )
<b>FUEL</b>	Gas	Diesel	Gas	Diesel	Gas	Diesel
<b>ENGINE SPEED</b>	3600 rpm		3600 rpm		3600 rpm	
<b>STARTER SYSTEM</b>	Recoil	Electric start with recoil	Recoil	Electric start with recoil	Recoil	Electric start with recoil

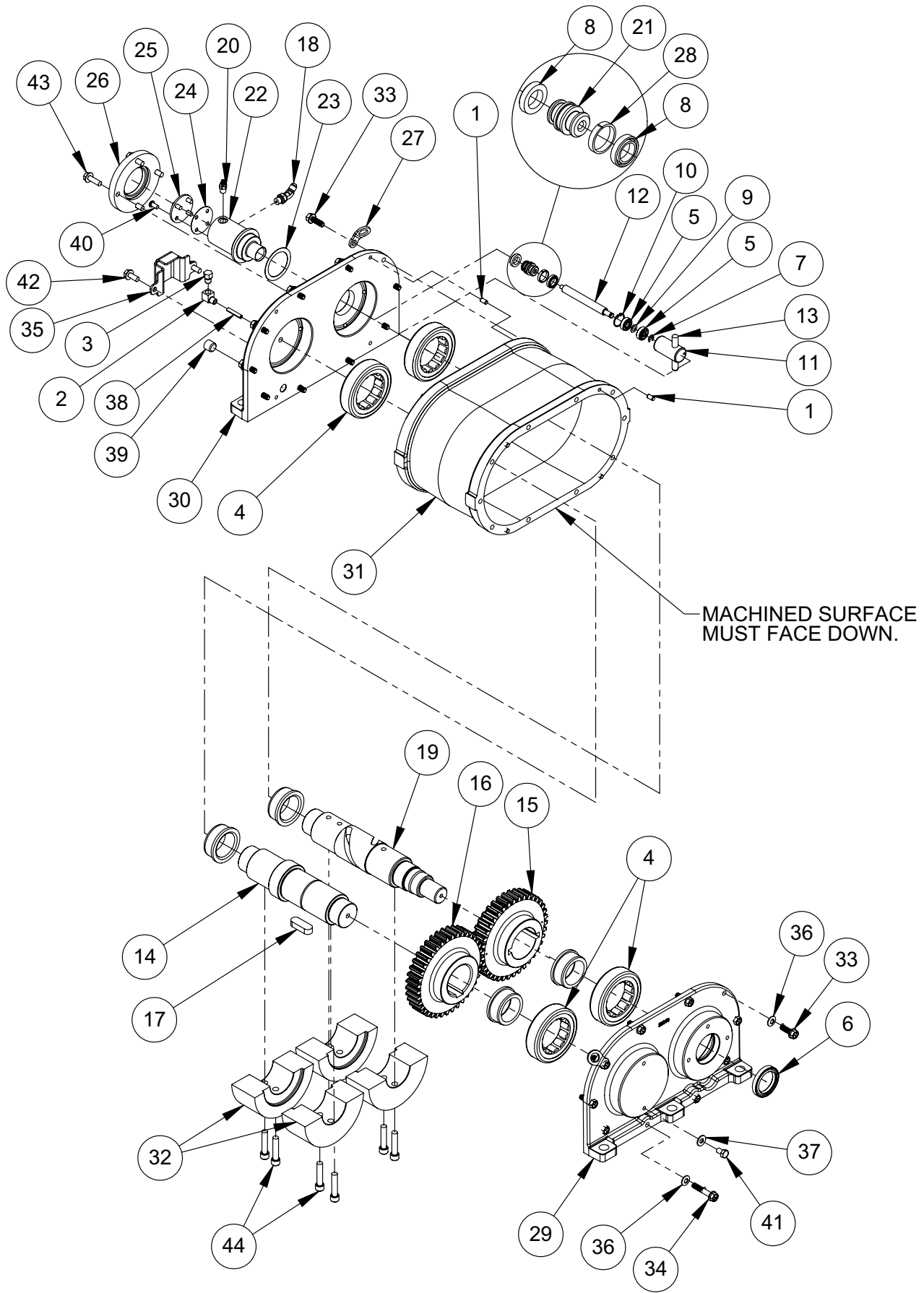
Specifications subject to change without notice

No universal method or formula has been accepted for determining "Compaction Force". All manufactures employ their own method or formula.



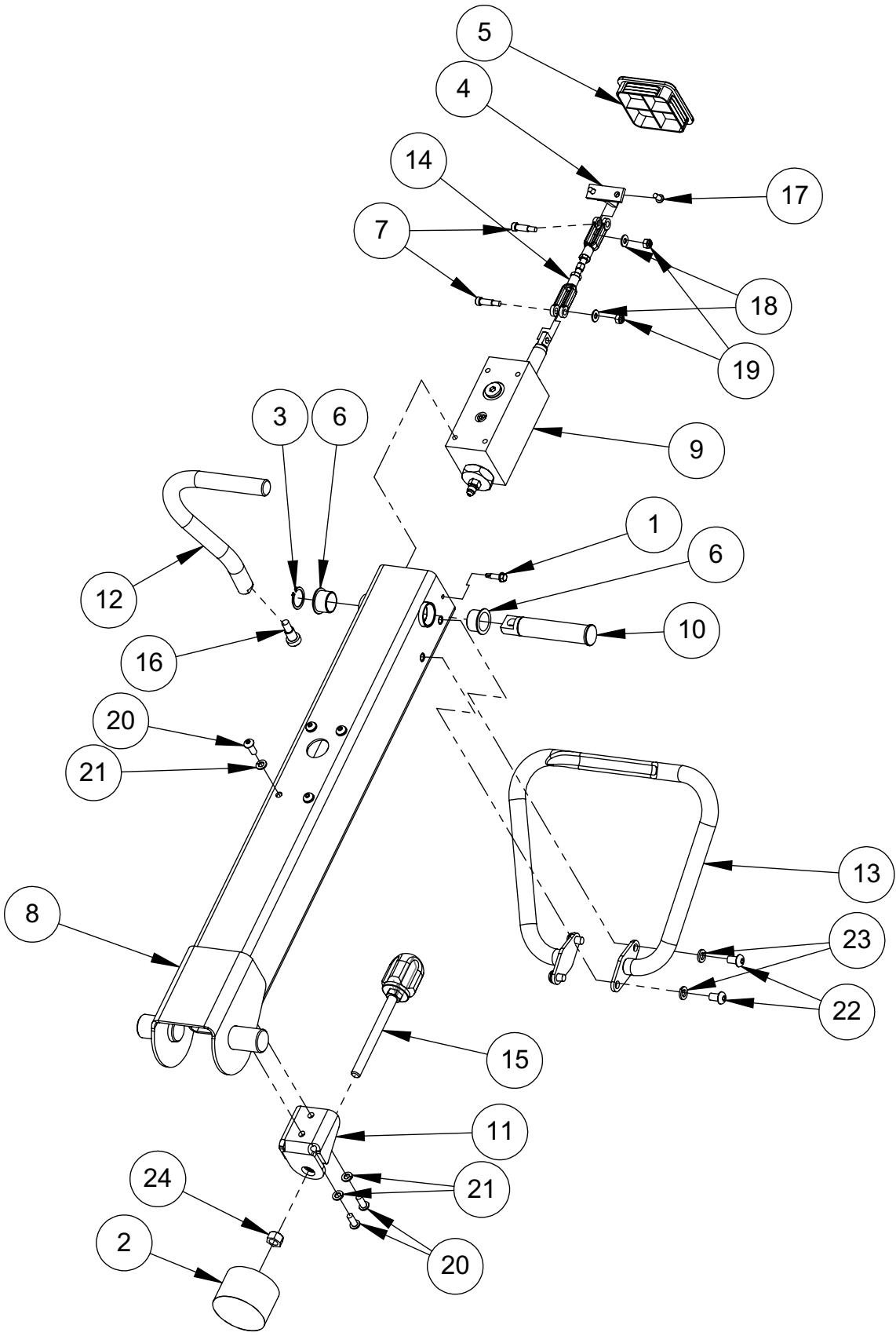
**Main Assembly**

ITEM	PART NO.	DESCRIPTION	GPR15-24	GPR15-26	GPR15-28
1.	00259	SHIM, EXCITER (AS REQUIRED)			
2.	01428	CLAMP, TUBE	1	1	1
3.	05477	SWIVEL, THROTTLE CABLE	1	1	1
4.	09998	HEX HEAD SCREW, 1/2-13 X 1-1/2 LG. GR 8	12	12	12
5.	16259	KEY, 8 x 7 x 28 RD. ENDS	1	1	1
6.	16328	WASHER, MET., 9 x 44 x 5	1	1	1
7.	17340	POP-PIN	1	1	1
8.	17419	SHOCKMOUNT	4	4	4
9.	19533	SHOCK MOUNT, HANDLE	2	2	2
10.	21340	BASEPLATE, GPR15-24	1		
	20605	BASEPLATE, GPR15-26		1	
	21341	BASEPLATE, GPR15-28			1
11.	20606	ENGINE DECK	1	1	1
12.	20607	LIFT CAGE	1	1	1
13.	20608	EXCITER ASSEMBLY	1	1	1
14.	20609	HANDLE ASSEMBLY	1	1	1
15.	20615	BELLOWS	1	1	1
16.	20616	SOCKET HEAD SCREW, 5/8-11 UNC X 1-3/4 GR 8	6	6	6
17.	20748	HOSE, HYDRAULIC, 1/4 x32.5	1	1	1
18.	21086	LEVER, THROTTLE, MODEL 16 (HONDA ONLY)	1	1	1
19.	21089	CABLE ASSEMBLY, THROTTLE (HONDA ONLY)	1	1	1
20.	21090	SPACER, 1/4" DIA. x .88" LG. (HONDA ONLY)	1	1	1
21.	21257	PULLEY, EXCITER	1	1	1
22.	21259	BELT GUARD, EXCITER	1	1	1
23.	21260	COVER, BELLOWS	1	1	1
24.	21261	RETAINER, BELLOWS	2	2	2
25.	21262	COVER, BELT GUARD, EXCITER	1	1	1
26.	21266	SPACER, SHOCK MOUNT	4	4	4
27.	21267	HANDLE MOUNT	2	2	2
28.	21269	FUEL DOOR ASSEMBLY	1	1	1
29.	21272	DRAW LATCH	1	1	1
30.	21273	RUBBER MAT, 18" X 24"	1	1	1
31.	21274	BRACKET, RUBBER MAT	1	1	1
32.	21396	THROTTLE LEVER (DIESEL ONLY)	1	1	1
33.	21499	CABLE ASSEMBLY, THROTTLE (DIESEL ONLY)	1	1	1
34.	F013203BCS	BUTTON HEAD SCREW, #6-32 x 3/8	3	3	3
35.	F0132HN	HEX NUT, #6-32	3	3	3
36.	F011W	LOCKWASHER, #6	3	3	3
37.	F023204FSS	FLAT HEAD SCREW, #8-32 x1/2"	2	2	2
38.	F0232HN	HEX NUT #8-32 ZP	2	2	2
39.	F02LW	LOCKWASHER, #8 ZP	2	2	2
40.	F042004FWS	FLANGE HEAD SCREW, 1/4-20 x 1/2, ZP	8	8	8
41.	F042006FWS	FLANGE HEAD SCREW, 1/4-20 x 3/4, ZP	4	4	4
42.	F042007FWS	FLANGE HEAD SCREW, 1/4-20 x 7/8, ZP	2	2	2
43.	F042008BCS	BUTTON HEAD SCREW, 1/4-20 x1	2	2	2
44.	F042016FWS	FLANGE HEAD SCREW, 1/4-20 x 2.0, ZP	2	2	2
45.	F0420ELN	LOCKNUT, 1/4-20, NYLOC, ZP	2	2	2
46.	F04LW	LOCKWASHER, 1/4 ZP	2	2	2
47.	F04SW	FLAT WASHER, 1/4, ZP	4	4	4
48.	F051806FWS	FLANGE HEAD SCREW, 5/16-18 x 3/4, ZP	1	1	1
49.	F051807FWS	FLANGE HEAD SCREW, 5/16-18 X 7/8 LG, ZP	4	4	4
50.	F051808BCS	BUTTON HEAD SCREW, 5/16-18 x 1.0	3	3	3
51.	F051808FWS	FLANGE HEAD SCREW, 5/16-18 x 1.0 LG.	1	1	1
52.	F0518FN	FLANGE LOCK NUT, 5/16-18	1	1	1
53.	F05LW	LOCK WASHER, 5/16	7	7	7
54.	F08LW	LOCK WASHER, 1/2"	12	12	12
55.	F08SW	FLAT WASHER, 1/2"	10	10	10
56.	F101110HCS	HEX HEAD SCREW, 5/8-11 x 1-1/4 GR5 ZP	4	4	4
57.	F1011HN	HEX NUT, 5/8-11	4	4	4
58.	F10LW	LOCK WASHER, 5/8 ZP	14	14	14
59.	M08C025FWS	FLANGE HEAD SCREW, M8 x 20, ZP	4	4	4
60.	M08C050SCS	SOCKET HEAD SCREW, M8 x 50, ZP	4	4	4



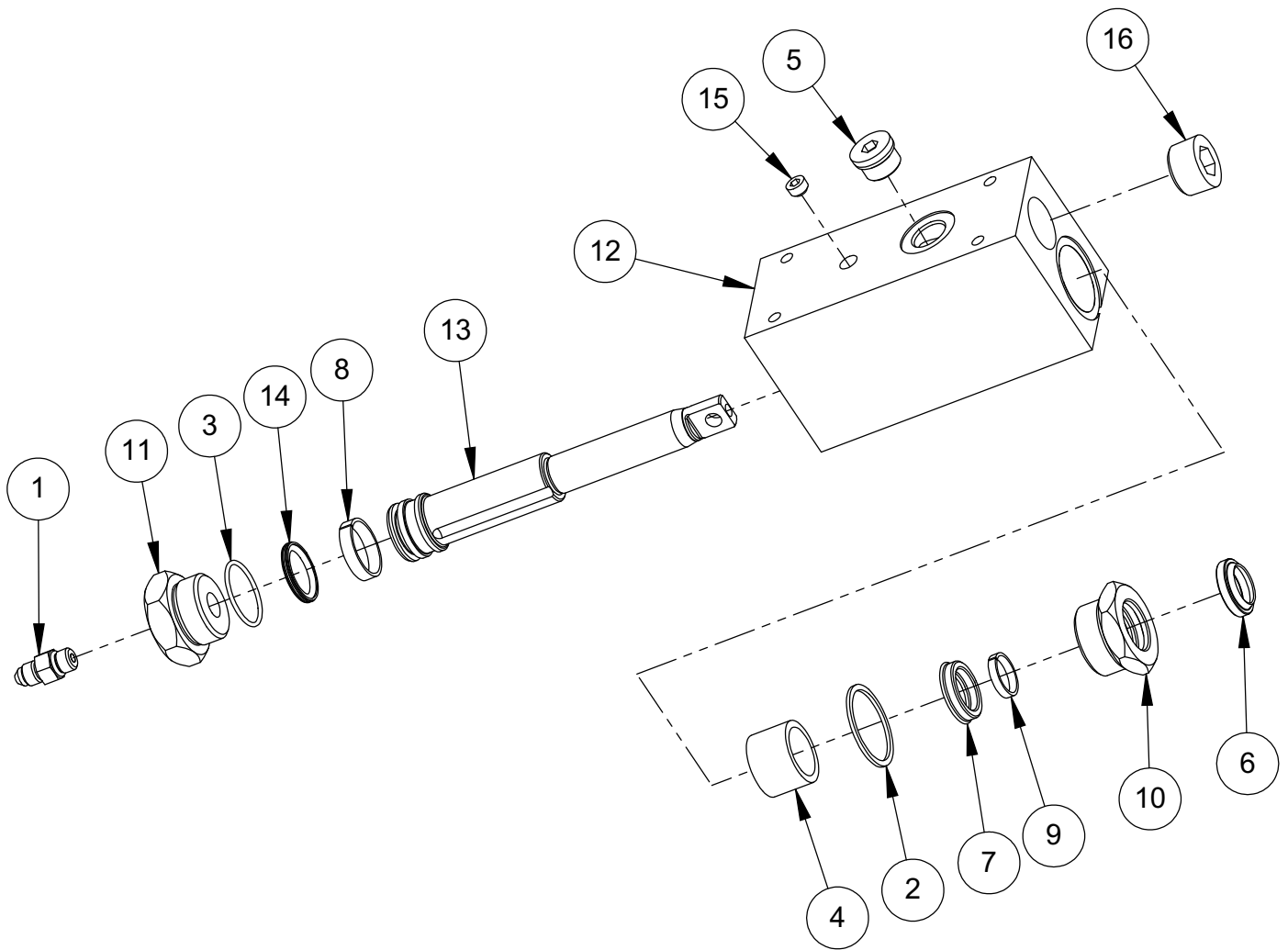
# Exciter Assembly

ITEM	PART NO.	DESCRIPTION	QTY.
1.	07203	DOWEL PIN, 1/4" DIA. x 1/2"	8
2.	09748	FITTING, PIPE, 90 DEGREE	1
3.	09749	PLUG, BREATHER	1
4.	16228	ROLLER BEARING, 100 x 45	4
5.	16230	BEARING, BALL	2
6.	16232	SHAFT SEAL	1
7.	16237	RETAINING RING	1
8.	16238	SEAL, HYDRAULIC	2
9.	16239	SHIM, WASHER	1
10.	16240	RETAINING RING	1
11.	16241	PIN CARRIER	1
12.	16242	SHIFT SHAFT	1
13.	16254	DOWEL PINS, M10 x 70	1
14.	16263	EXCITER SHAFT	1
15.	16265	IN-PUT GEAR	1
16.	16266	IDLER GEAR	1
17.	16321	KEY, METRIC, 16 x 10 x 45, ROUND ENDS	1
18.	16436	FITTING, 45 DEG, HYDRAULIC	1
19.	16599	INPUT SHAFT	1
20.	17023	BLEEDER SCREW	1
21.	17275	SHIFT SPOOL	1
22.	17276	HOUSING, HYDRAULIC	1
23.	17277	GASKET, MOUNT	1
24.	17278	GASKET, CYLINDER	1
25.	17279	COVER, CYLINDER	1
26.	17280	MOUNTING PLATE, CYLINDER	1
27.	18841	EYELET, LIFTING	2
28.	19434	SPLIT GUIDE RING	1
29.	20611	COVER, PULLEY SIDE	1
30.	20612	COVER, BREATHER SIDE	1
31.	20614	CENTER HOUSING	1
32.	20651	EXCITER WEIGHT, (GPR15)	4
33.	21235	HEX HEAD SCREW, 5/16-18 x 1 GR 5	16
34.	21236	HEX HEAD SCREW, 5/16-18 x 1-3/4 GR 5	4
35.	21282	GUARD, BREATHER	1
36.	21599	LOCK WASHER, 5/16, BELLEVILLE	20
37.	F05BFW	FLAT WASHER, BRASS, 5/16	1
38.	F0410SP	SPIROL PIN, 1/4 x 1-1/4	1
39.	F0618SPP	PIPE PLUG, 3/8-16 NPT	1
40.	F042004BCS	BUTTON HEAD SCREW, 1/4-20 x 1/2"	4
41.	F051804HCS	HEX HEAD SCREW, 5/16-18 x 1/2, ZP	5
42.	F051806FWS	FLANGE HEAD SCREW, 5/16-18 x 3/4, ZP	2
43.	F051808FWS	FLANGE HEAD SCREW, 5/16-18 x 1.0, ZP	4
44.	F061614SCS	SOCKET HEAD SCREW, 3/8-16 x 1-3/4, GR 8	8
	20608	EXCITER COMPLETE	



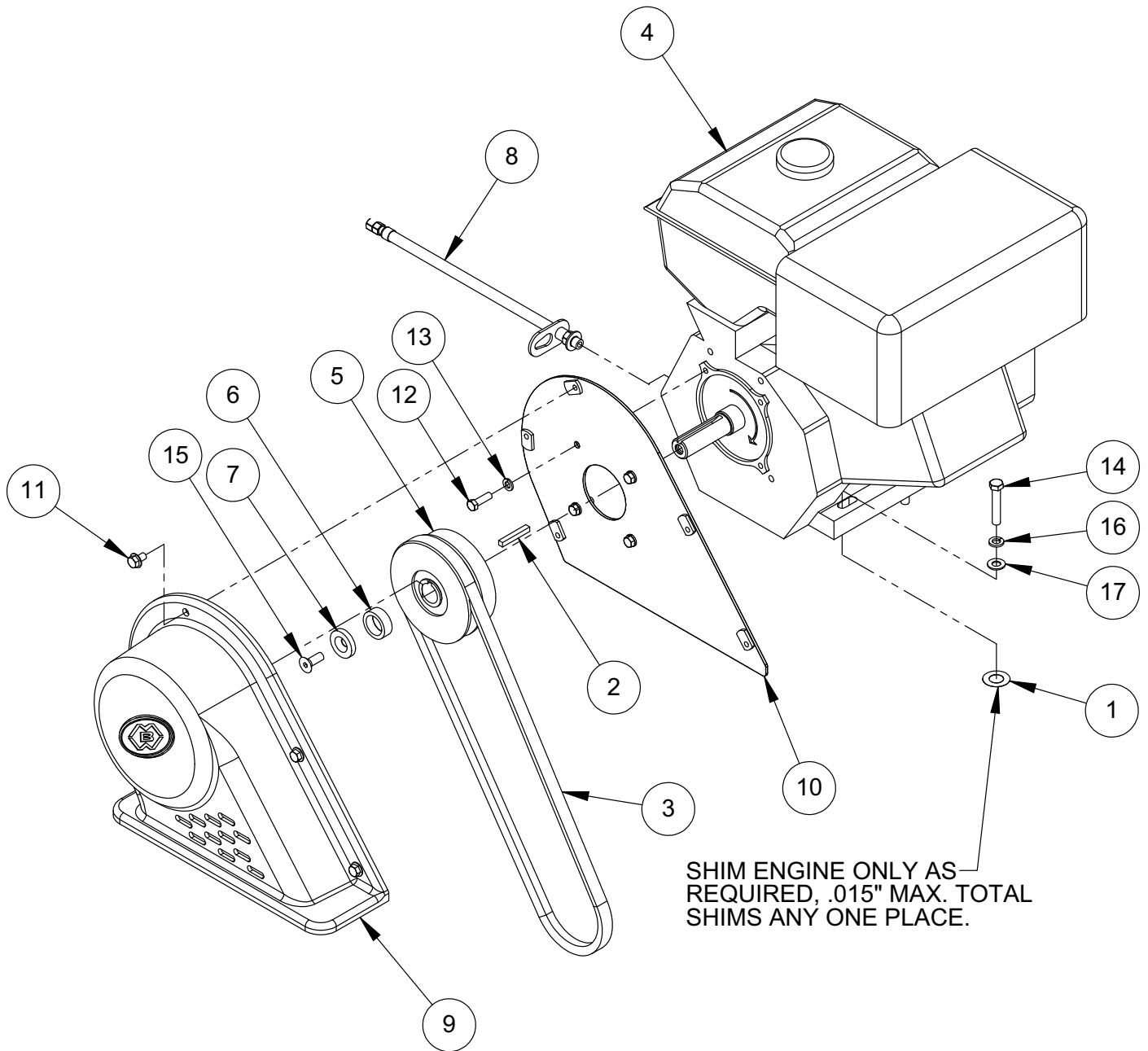
**Handle Assembly**

ITEM	PART NO.	DESCRIPTION	QTY
1.	11162	SCREW, 1/4 x 1.00, TEKS	2
2.	16493	HANDLE BUMPER	1
3.	17177	RETAINING RING, EXTERNAL, 1.00	1
4.	19414	BRACKET, SHIFT HANDLE	1
5.	19417	TUBE CAP, SQUARE, 3-1/2	1
6.	19418	PLAIN BEARING, 1.00 I.D.	2
7.	19442	SHOULDER BOLT, 5/16 x 3/4, 1/4-20	2
8.	20653	HANDLE TUBE	1
9.	20657	HYDRAULIC CONTROL HEAD, COMPLETE	1
10.	20671	SHAFT, CONTROL HANDLE	1
11.	21240	BRACKET, HANDLE HEIGHT ADJUSTMENT	1
12.	21242	SHIFT HANDLE	1
13.	21243	GUIDE HANDLE	1
14.	21250	SHIFT LINKAGE	1
15.	21252	KNOB ASSEMBLY	1
16.	21256	SHOULDER BOLT, 1/2 x5/8	1
17.	F042004BCS	BUTTON HEAD SCREW, 1/4-20 x 1/2" LG.	2
18.	F04PW	WASER, 1/4, PLATED	2
19.	F0420ELN	LOCK NUT, 1/4-20, NYLOC	2
20.	F051806BCS	BUTTON HEAD SCREW, 5/16-18 x 3/4 LG.	6
21.	F05LW	LOCK WASHER, 5/16	6
22.	F061605BCS	BUTTON HEAD SCREW, 3/8-16 x 5/8 LG.	4
23.	F06LW	LOCK WASHER, 3/8	4
24.	F0813HN	HEX NUT, 1/2-13	1
		<b>KITS:</b>	
	21082	THROTTLE ASSEMBLY	



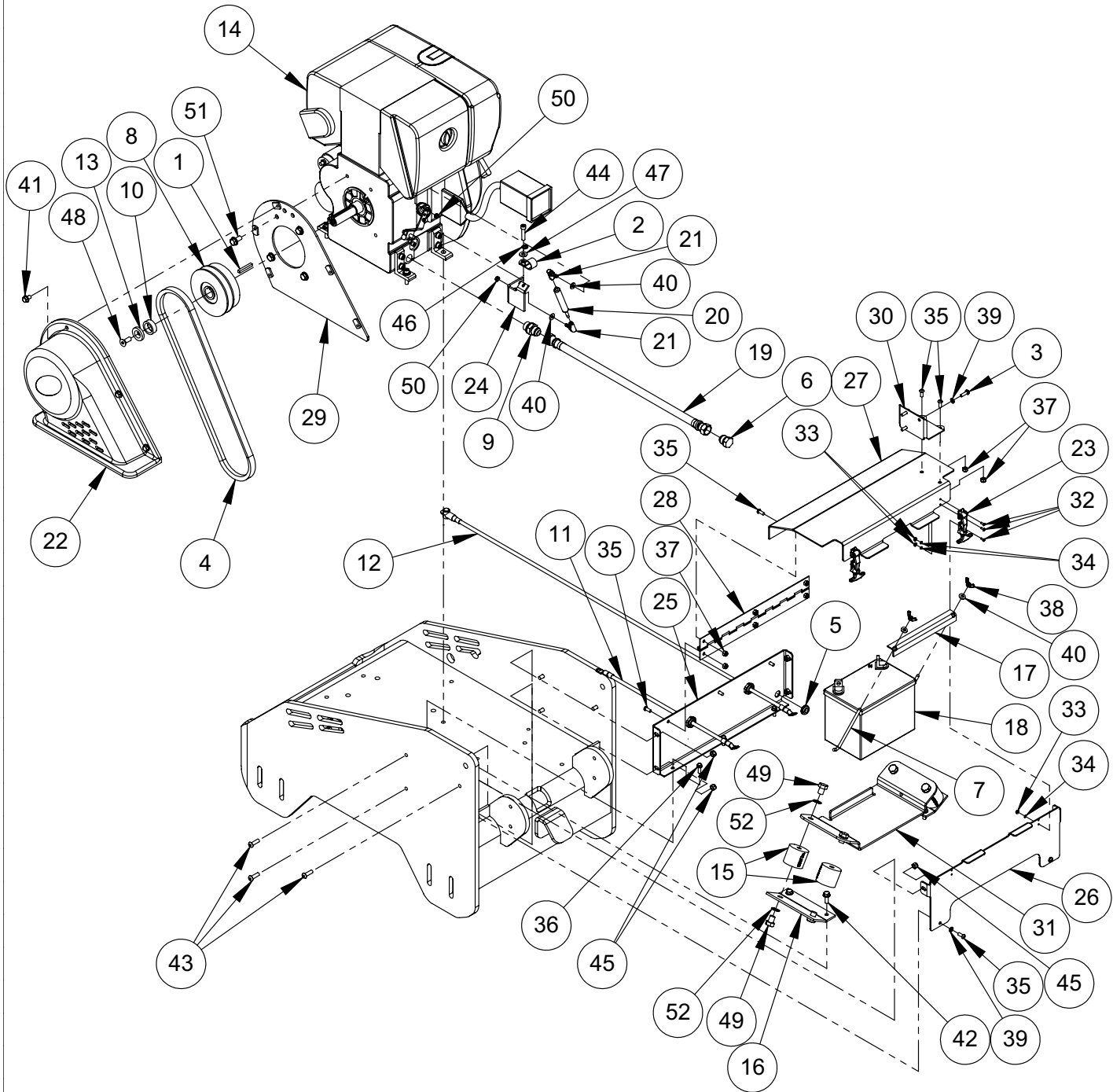
## Control Head Assembly

ITEM	PART NO.	DESCRIPTION	QTY
1.	08355	HYDRAULIC FITTING	1
2.	16359	WASHER SEALING, METRIC	1
3.	16404	O-RING, METRIC, 30mm I.D. x 2 mm	1
4.	16468	SLIDE BUSHING	1
5.	17250	FITTING, SOCKET HEAD PLUG	1
6.	19430	SHAFT WIPER SEAL	1
7.	19431	HYDRAULIC SHAFT SEAL	1
8.	19433	BEARING, GUIDE RING	1
9.	19434	BEARING, GUIDE RING	1
10.	19528	SEAL CAP FITTING	1
11.	19529	ADAPTER FITTING	1
12.	20658	HOUSING, CONTROL HEAD	1
13.	20659	PISTON SHAFT	1
14.	20668	SEAL, BI-DIRECTIONAL	1
15.	F0227SPP	SOCKET PIPE PLUG	1
16.	F1214SPP	PIPE PLUG, 3/4-14 NPTF	1
		<b>KITS:</b>	
	21392	REBUILD KIT, UPPER (INCLUDES ITEMS: 2, 3, 6 THRU 9 & 14)	



## Gasoline Engine Assembly





# Diesel Engine Assembly

ITEM	PART NO.	DESCRIPTION	QTY
1.	00808	KEY, 1/4" SQ. x 1-3/4" LG.	1
2.	01428	CLAMP, TUBE	2
3.	09275	HEX HEAD SCREW, M6 x 20 mm, ZP	3
4.	09375	V-BELT, (B44)	1
5.	10089	GROMMET, 7/16" I.D.	1
6.	16523	FITTING, PLUG	1
7.	16556	J-BOLT, 1/4-20	2
8.	16576	CLUTCH	1
9.	16578	FITTING, ADAPTER	1
10.	16580	SPACER, CLUTCH x .480 LG.	1
11.	16600	CABLE, BATTERY, BLACK	1
12.	16604	CABLE, BATTERY, RED	1
13.	16665	WASHER, COUNTERSUNK	1
14.	17144	DIESEL ENGINE, HATZ 1B40	1
15.	17170	SHOCK MOUNT, 2" O.D. x 1-3/4" LG.	4
16.	19547	BRACKET, BATTERY MOUNT	2
17.	19550	BRACKET, BATTERY HOLD DOWN	1
18.	19551	BATTERY, SIZE U1, 300CCA	1
19.	19624	HOSE, OIL DRAIN	1
20.	20672	GAS SPRING	1
21.	21248	ROD END, BALL JOINT	2
22.	21263	BELT GUARD	1
23.	21272	DRAW LATCH, RUBBER PULL	2
24.	21389	BRACKET, THROTTLE	1
25.	21491	BATTER BOX, FORMED, BACK	1
26.	21492	PLATE, BATTERY BOX, FORMED	1
27.	21493	COVER, BATTERY BOX	1
28.	21494	HINGE, BATTERY BOX	1
29.	21495	PLATE ASM., BELT GUARD, DIESEL	1
30.	21497	BRACKET, IGNITION MOUNT	1
31.	21498	PLATE, BATTERY MOUNT	1
32.	F013203BCS	BUTTON HEAD SCREW, #6-32 x 3/8" LG.	6
33.	F0132HN	HEX NUT, #6-32 ZP	6
34.	F011W	LOCK WASHER, #6 ZP	6
35.	F042005BCS	BUTTON HEAD SCREW, 1/4-20 x 1-5/8" LG.	10
36.	F042006FWS	FLANGE HEAD SCREW, 1/4-20 x 3/4" LG, ZP	3
37.	F0420ELN	LOCK NUT, 1/4-20 NYLOC	8
38.	F0420WN	WINGNUT, 1/4-20, NYLOC	2
39.	F04LW	LOCK WASHER, 1/4:	5
40.	F04PW	FLAT WASHER, 1/4"	4
41.	F051804FWS	FLANGE HEAD SCREW, 5/16-18 x 1/2" ZP	5
42.	F051807FWS	FLANGE HEAD SCREW, 5/16-18 x 7/8" ZP	4
43.	F051808BCS	BUTTON HEAD SCREW, 5/16-18 x 1.0 LG.	6
44.	F051811SCS	SOCKET HEAD SCREW, 5/16-18 x 1-3/8 LG	4
45.	F0518ELN	LOCK NUT, 5/16-18 NYLOC	6
46.	F05LW	LOCK WASHER, 5/16	4
47.	F05SW	FLAT WASHER, 1/4"	4
48.	F062408FSS	FLAT HEAD SCREW, 3/4-28 X 1.0 LG	1
49.	F081305HCS	HEX HEAD SCREW, 1/2-13 x 5/8 LG.	8
50.	M06CHN	HEX NUT, M6-1	2
51.	M10C020FWS	FLANGE HEAD SCREW, M10 x 20	4
52.	M12ETLW	LOCK WASHER, M12 EXT. TOOTH	8