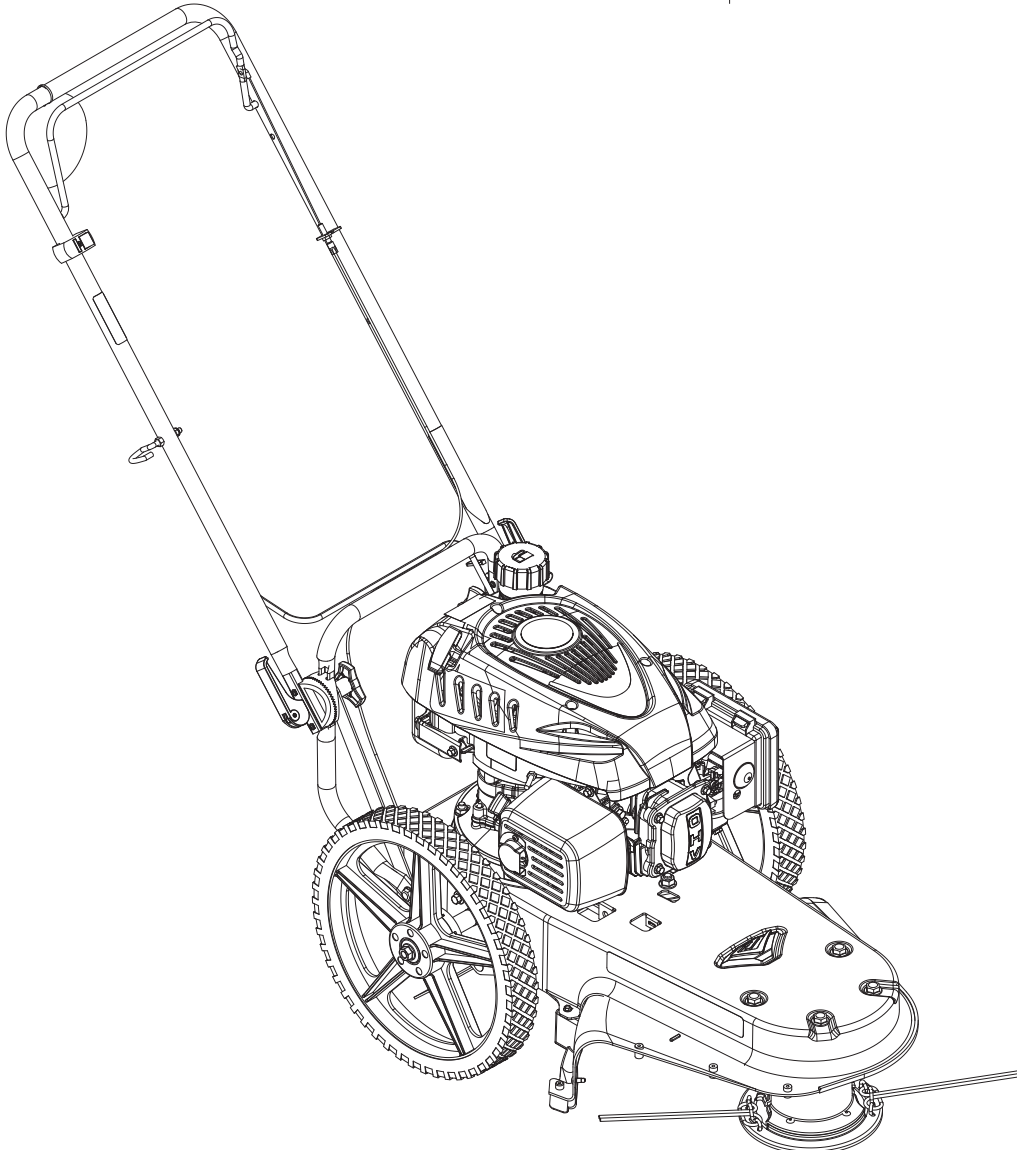


Operator's Manual  
**String Mower**  
**M200**

SN

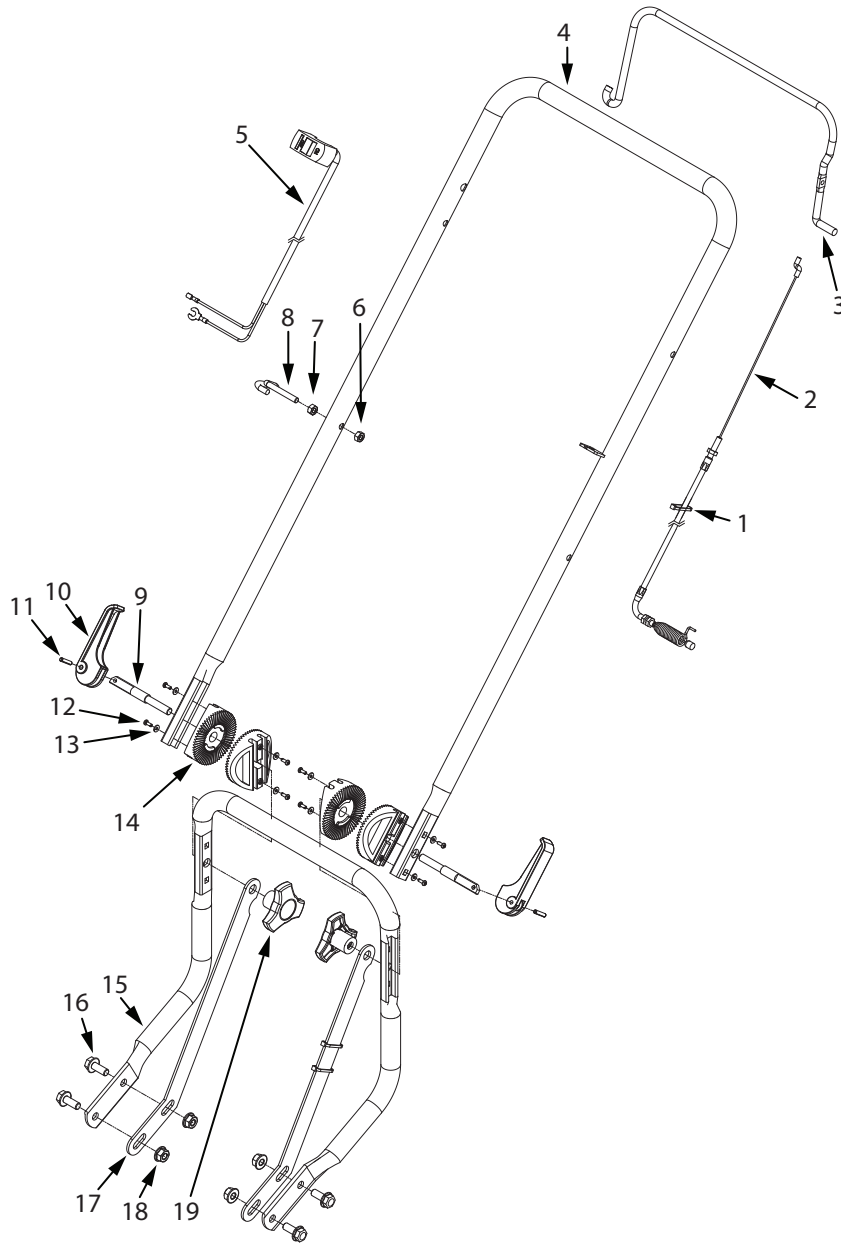


Includes Model:  
M200



P/N: 30405  
ECN: 11855  
REV1: 010/17/2017  
© 2017 Ardisam, Inc.  
All Rights Reserved

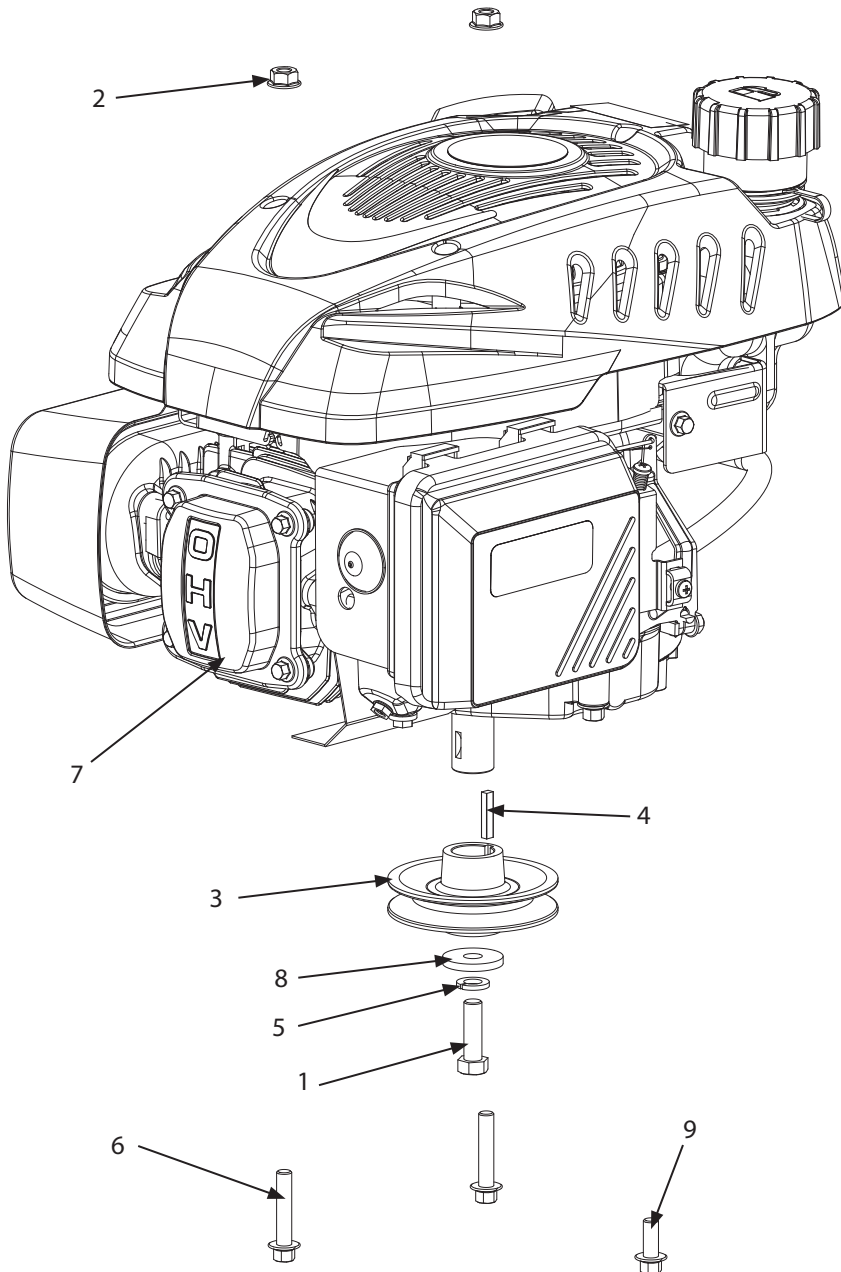
## PARTS BREAKDOWN Handlebars



KEY	PART #	DESCRIPTION	QTY.
1	106	ZIP TIE 5.75 INCH	3
2	17527	CLUTCH CABLE STRING MOWER	1
3	17528	CONTROL LEVER	1
4	17526	UPPER HANDLEBAR	1
5	17471	ON/OFF SWITCH STRING MOWER	1
6	W1265V0913	NUT M6	1
7	19939	NUT M6	1
8	19902	ROPE GUIDE M6 X 1.0 OPEN EYE	1
9	16311	HANDLE ADJUST BOLT M8	2
10	19972	CAM LEVER	2

KEY	PART #	DESCRIPTION	QTY.
11	19973	RIVET M4 X 20	2
12	16397	SCREW M3 X 10	8
13	16360	WASHER M3	8
14	19912	HANDLE PIVOT	4
15	19941	LOWER HANDLEBAR	1
16	19945	BOLT M8 X 20	4
17	18893	HANDLEBAR BRACE	2
18	64132	NUT M8	4
19	13601	KNOB M8 THREE STAR	2

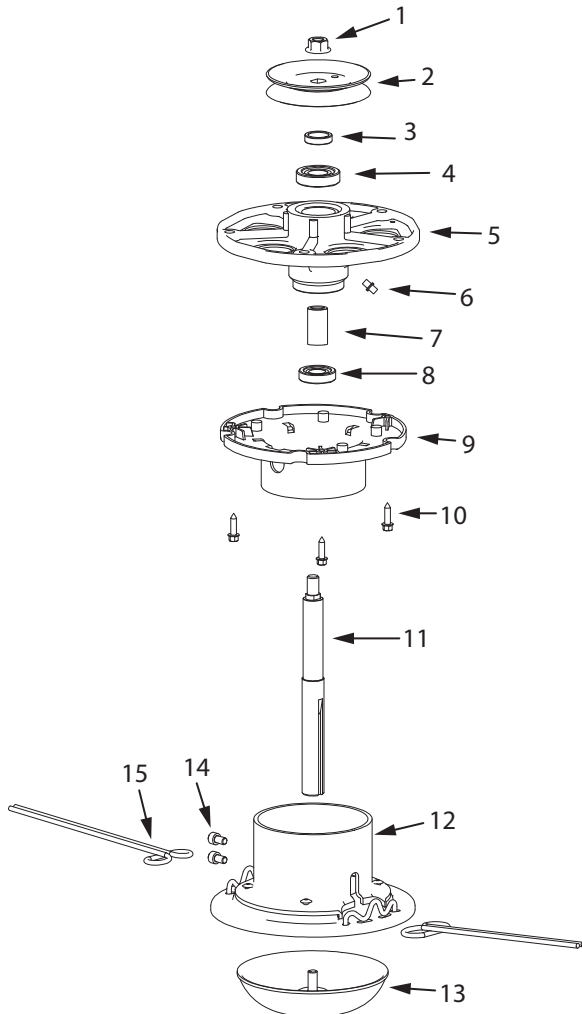
## Engine and Pulley Attachment



KEY	PART #	DESCRIPTION	QTY.
1	1426	BOLT 3/8-16 X 1-1/4	1
2	16400	NUT M8	3
3	29610	ENGINE PULLEY	1
4	16602	KEY 4M X 5M	1
5	1916965	WASHER 3/8 IN	1
6	19922	BOLT M8 X 40	2
7	186000	ENGINE 173CC RV170	1
8	331040	WASHER M10	1
9	19945	BOLT M8 X 20	1

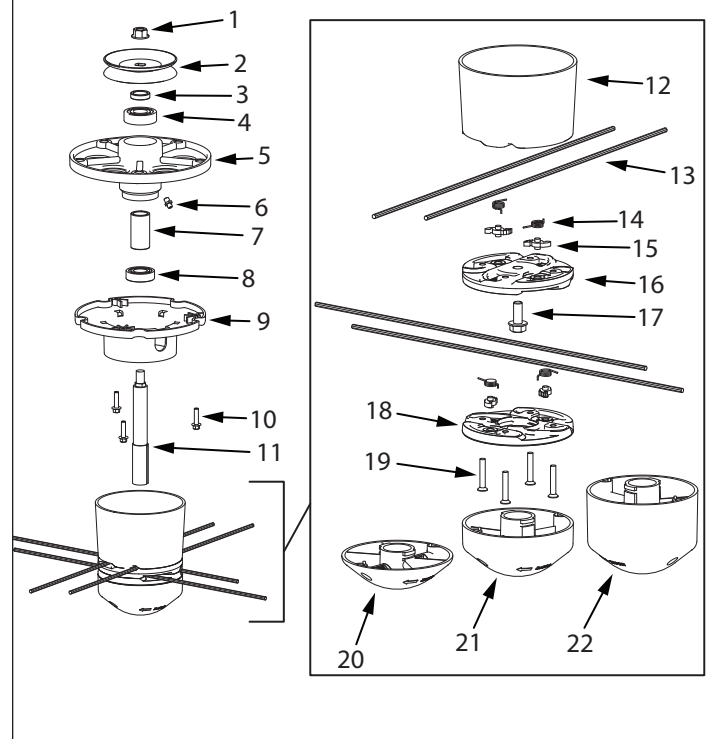
## Mower Head - Standard Version

KEY	PART #	DESCRIPTION	QTY.
1	16903	NUT M10	1
2	16595	PULLEY	1
3	19925	SPACER M17.5 X 23.5 X 6	1
4	19966	BEARING 17 X 40 X 12 MM	1
5	16317	JACKSHAFT HOUSING	1
6	16598	GREASE FITTING M6 X 1.0	1
7	19960	JACKSHAFT SPACER	1
8	19959	BEARING 17 X 35 X 10 MM	1
9	16337	WEED WRAP GUARD	1
10	16779	BOLT M5 X 20	3
11	19928	JACKSHAFT	1
12	19924	CUTTER HEAD	1
13	19923	BUMP HEAD	1
14	19919	BOLT M6 X 10	2
15	21884	LINE 0.155 INCH	1

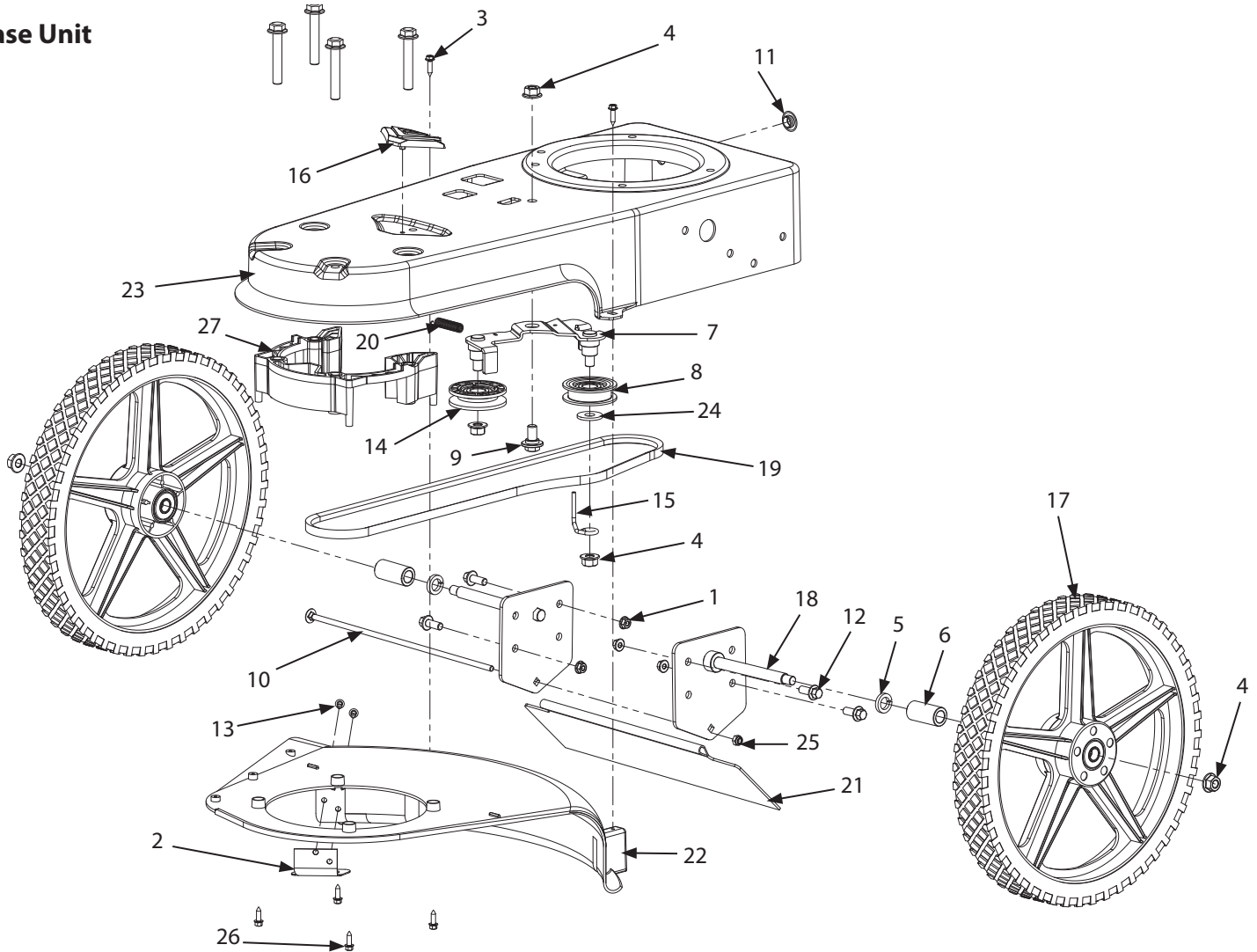


## Mower Head - Slide-Through Version

KEY	PART #	DESCRIPTION	QTY.
1	16903	NUT M10	1
2	16595	PULLEY	1
3	19925	SPACER M17.5 X 25.5 X 6	1
4	19966	BEARING 17 X 40 X 12 MM	1
5	16317	JACKSHAFT HOUSING	1
6	16598	GREASE FITTING M6 X 1.0	1
7	19960	JACKSHAFT SPACER	1
8	19959	BEARING 17 X 35 X 10 MM	1
9	16337	WEED WRAP GUARD	1
10	16779	BOLT M5 X 20	3
11	16321	JACKSHAFT	1
12	16662	CUTTER BODY	1
13	21884	LINE 21-1/4 IN	1
14	16670	CUTTER HEAD SPRING	4
15	16669	CUTTER HEAD CAM	4
16	16663	UPPER STRING PLATE	1
17	19945	BOLT M8 X 20	1
18	16664	LOWER STRING PLATE	1
19	16817	BOLT M5 X 30	4
20	16665	BUMP HEAD 1	1
21	16666	BUMP HEAD 2	1
22	16668	BUMP HEAD 3	1



## Base Unit



KEY	PART #	DESCRIPTION	QTY.
1	16400	NUT M8	4
2	16540	LINE CUTTER	1
3	16889	SCREW 4.8-1.6 X 20	2
4	16903	NUT M10	5
5	18898	WASHER M14	2
6	19904	WHEEL SPACER	2
7	19932	IDLER PULLEY BRACKET	1
8	19934	PULLEY	1
9	19936	BOLT M10 X 20	1
10	19937	BOLT M6 X 285	1
11	19944	BUSHING	1
12	19945	BOLT M8 X 20	4

KEY	PART #	DESCRIPTION	QTY.
13	19953	RIVET M5 X 10	2
14	19968	IDLER PULLEY	1
15	25038	BELT GUIDE	1
16	28215	EARTHQUAKE E BADGE	1
17	18773	WHEEL	2
18	19938	AXLE	2
19	60005003	BELT 10 X 1160 TYPE 3L	1
20	60005008	SPRING	1
21	60005018	TRAILING SHIELD	1
22	60005021	SHIELD	1
23	60005058	DECK	1
24	W1200126	WASHER M10	1
25	W1265V0913	NUT M6 X 1.0 HNYLK GR8.8 ZN	1
26	19931	SCREW M5 X 15	4
27	16318	JACKSHAFT SPACER	1