

PARTS LIST 1 - RIDE-ON TROWELS

TITAN, FRAME COMMON: 16807

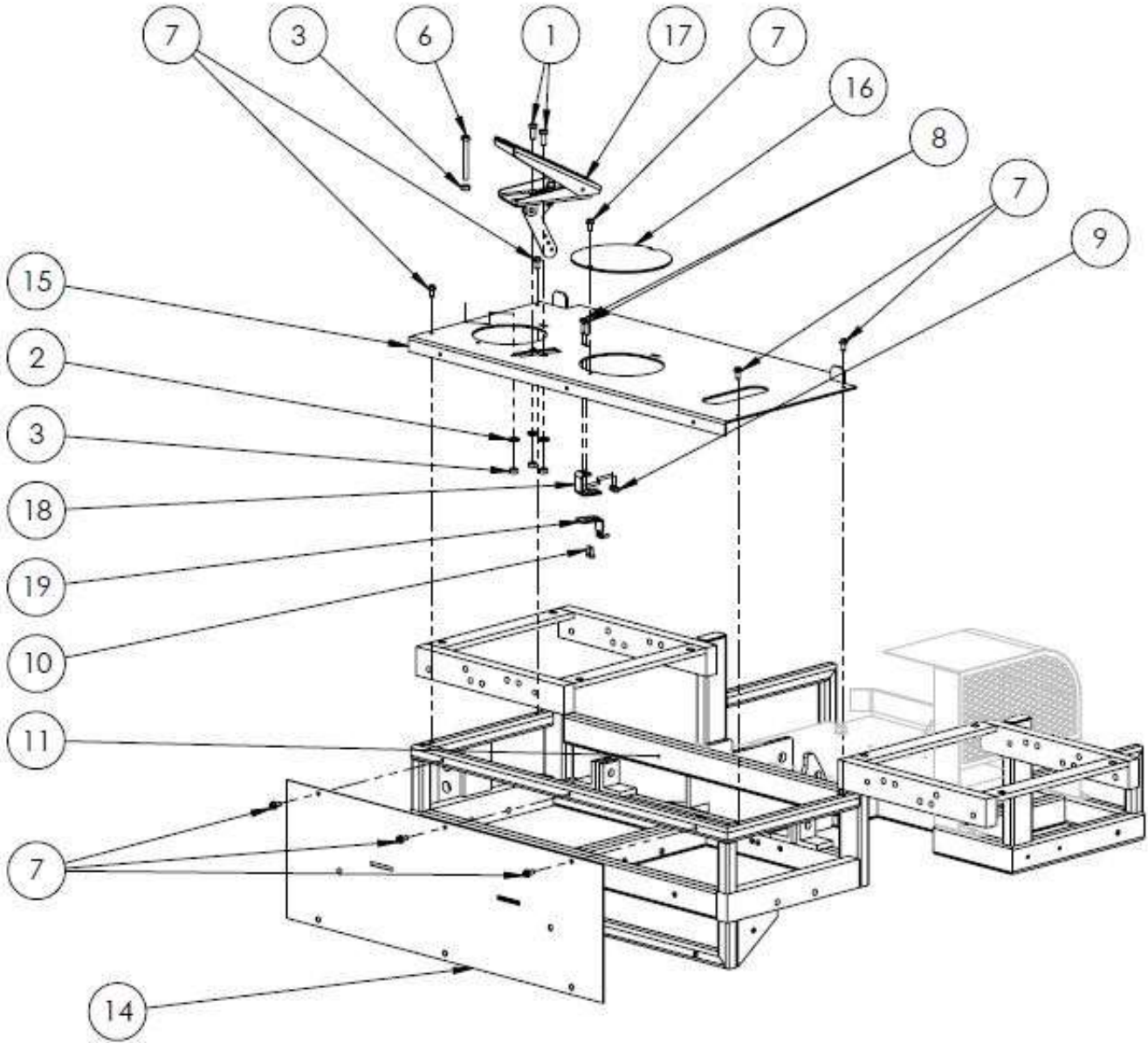


Figure 1: Lower Frame Assembly

TITAN, FRAME COMMON: 16807 – PARTS LIST 1

Item #	Part #	Description	QTY	Remarks
1	10999	HHCS M8 X 20MM	2	
2	11614	LOCK WASHER, M8, ZP	3	
3	11615	NUT, HEX, M8-1.25, ZP	4	
6	11745	HHCS, M8-1.25 X 55MM LG, ZP	1	
7	14596	HWHS 1/4-20 X 1/2"LG THREAD CUTTING	8	
8	51058	HHCS, M6-1.0 X 20MM LG, ZP	2	
9	11865	LOCKNUT, M6-1 NYLOCK	2	
10	10711	HHMS M5-0.8 X 12MM LG, ZP	2	
11	16001	TITAN UNI-CHASSIS	1	
13	16003	ENGINE MOUNTING PLATE	1	
14	16055	TITAN FRONT PANEL	1	
15	16005	CHECKERED FLOOR PLATE (ALUM)	1	
16	16069	TITAN FLOOR COVER PLATE	1	
17	16048	THROTTLE PEDAL	1	
18	16068	THROTTLE HOLD	1	
19	13863	THROTTLE CLIP	1	

TITAN, FRAME COMMON: 16807

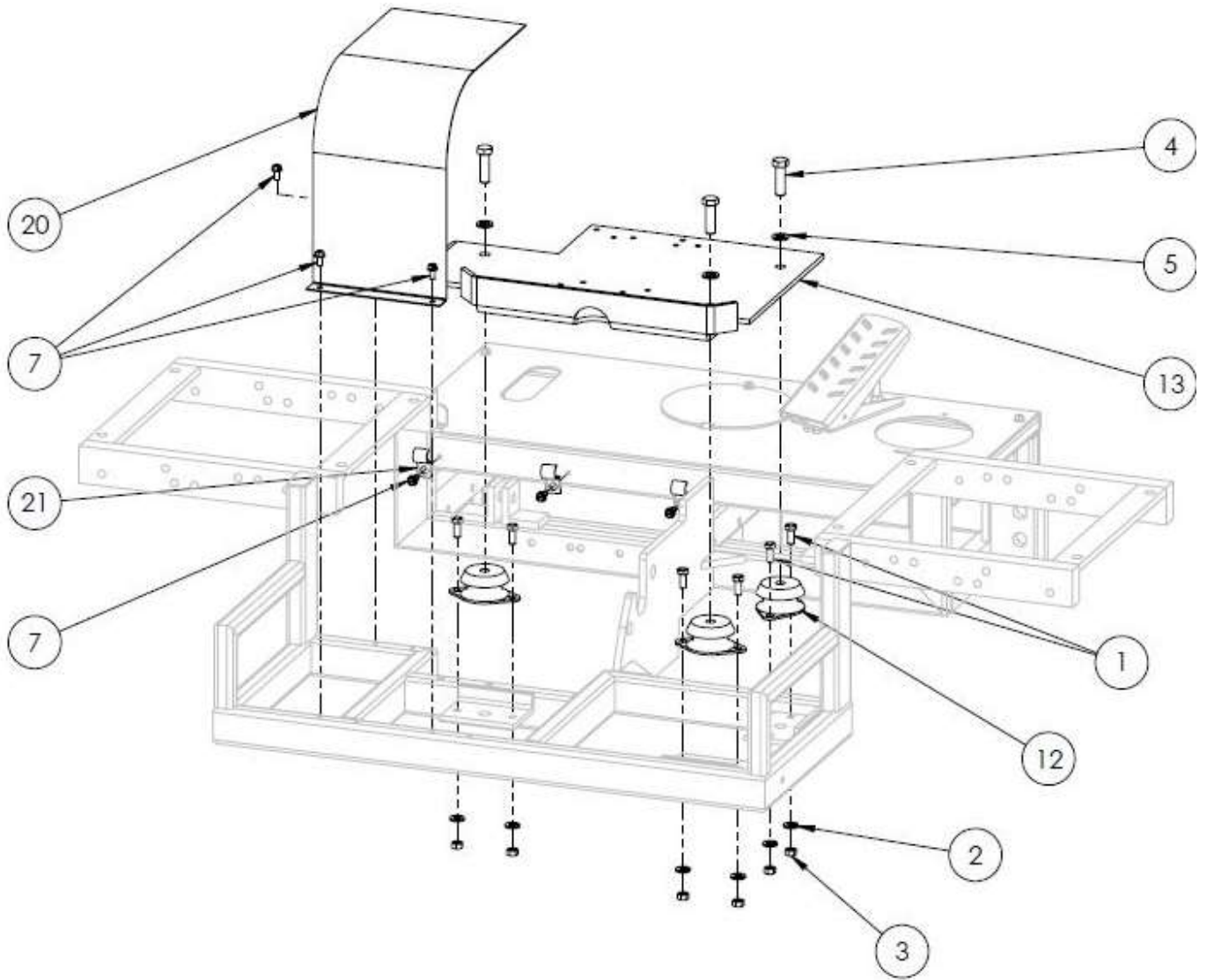


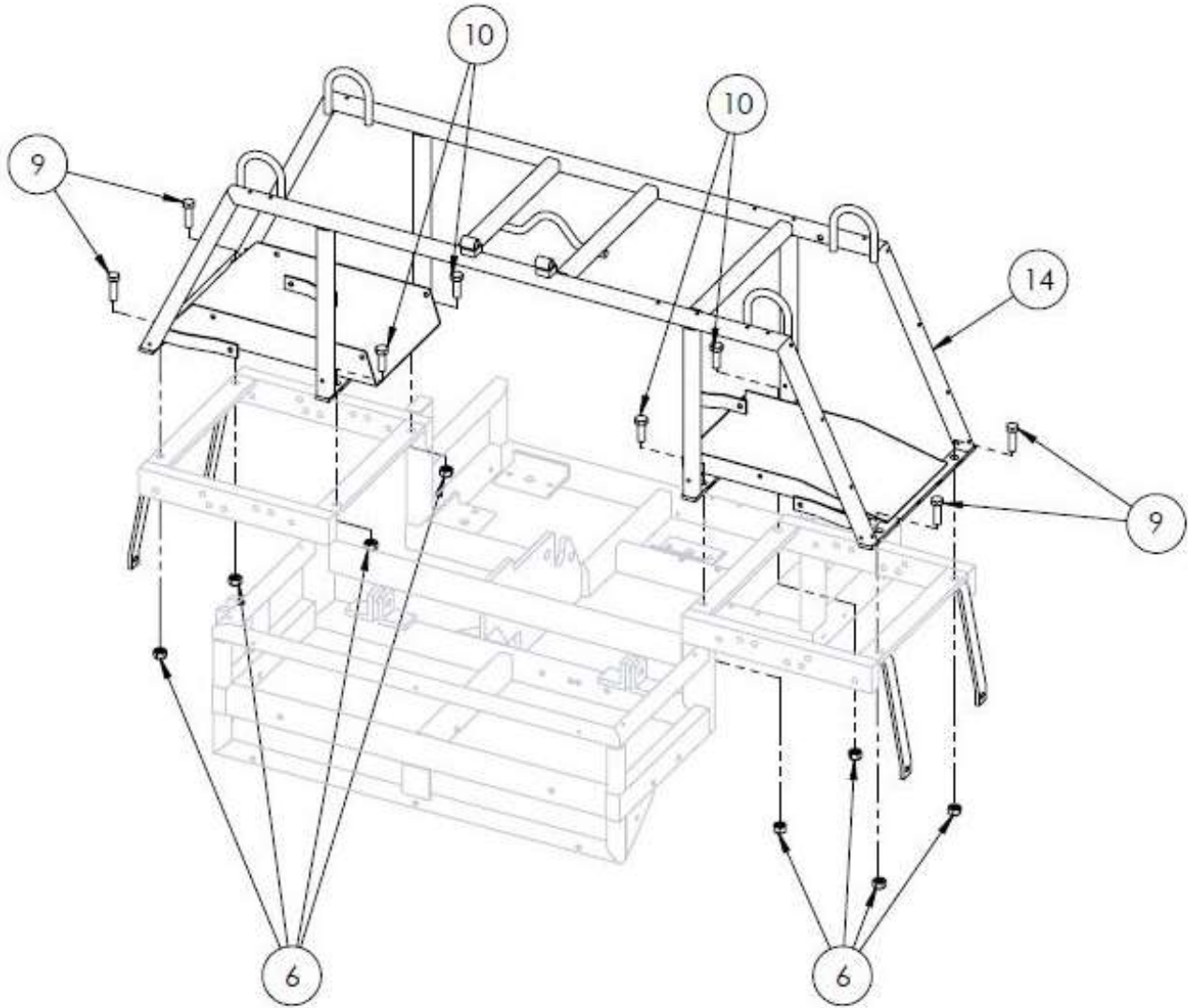
Figure 2: Lower Frame Assembly

TITAN, FRAME COMMON: 16807 – PARTS LIST 1

Item #	Part #	Description	QTY	Remarks
1	10999	HHCS M8 X 20MM	6	
2	11614	LOCK WASHER, M8, ZP	6	
3	11615	NUT, HEX, M8-1.25, ZP	6	
4	10955	HHCS 12MM-1.25 X 40MM	3	
5	10735	LOCK WASHER, SPLIT, M12	3	
7	14596	HWHS 1/4-20 X 1/2"LG THREAD CUTTING	6	
12	14101	ANTI-VIBRATION MOUNT	3	
13	16003	ENGINE MOUNTING PLATE	1	
20	16042	BELT GUARD TITAN	1	
21	13591	WIRING CLAMP 5/8"	3	

## PARTS LIST 2 – RIDE-ON TROWELS

TITAN, SEAT FRAME: 16801



TITAN, SEAT FRAME: 16801 – PARTS LIST 2

Item #	Part #	Description	QTY	Remarks
6	10956	M12-1.5 NYLOCK NUT	8	
9	10955	HHCS 12MM-1.25 X 40MM	4	
10	10881	M12-1.75X35, HCS	4	
14	16002	SEAT FRAME UNI-CHASSIS	1	

TITAN, SEAT FRAME: 16801

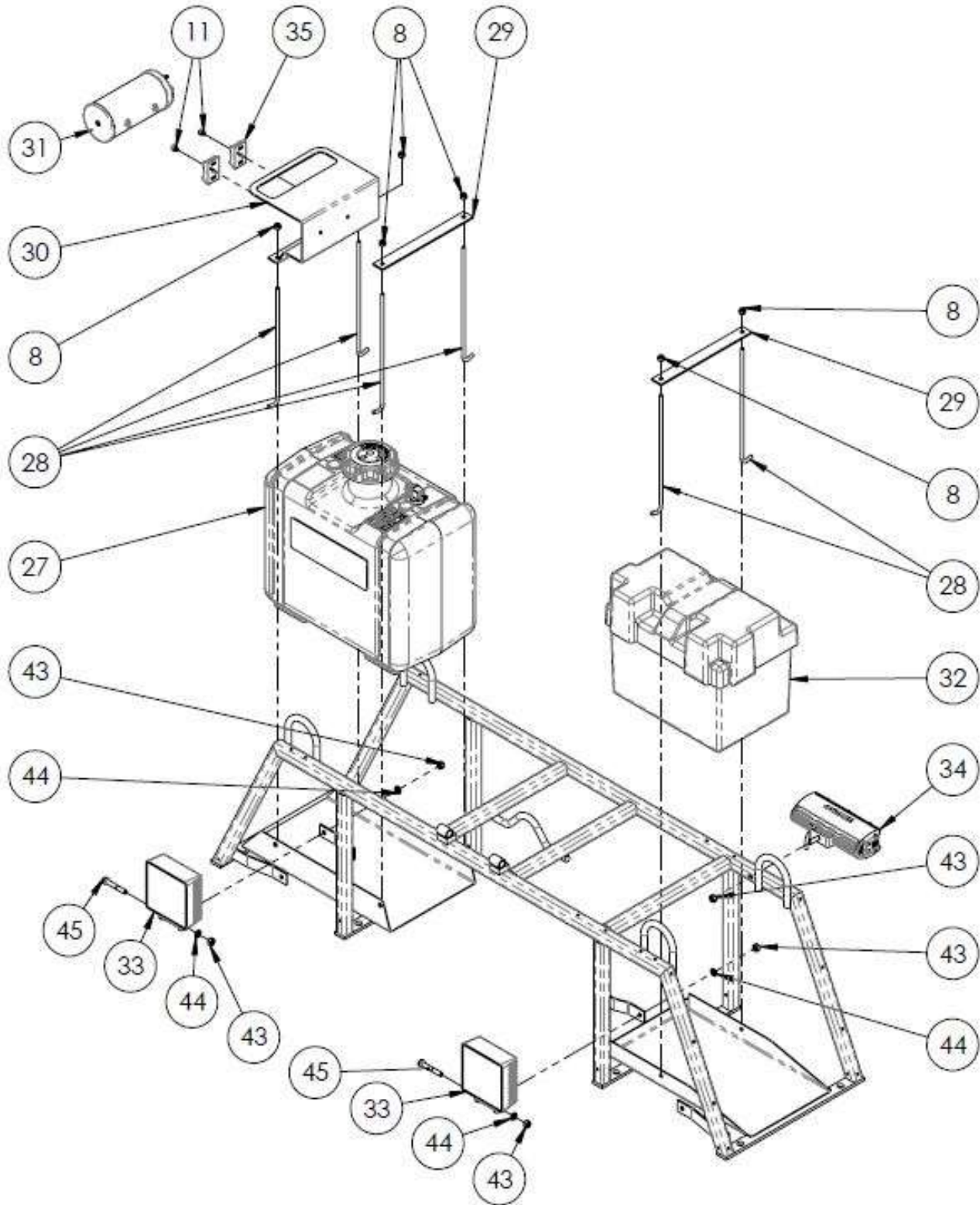
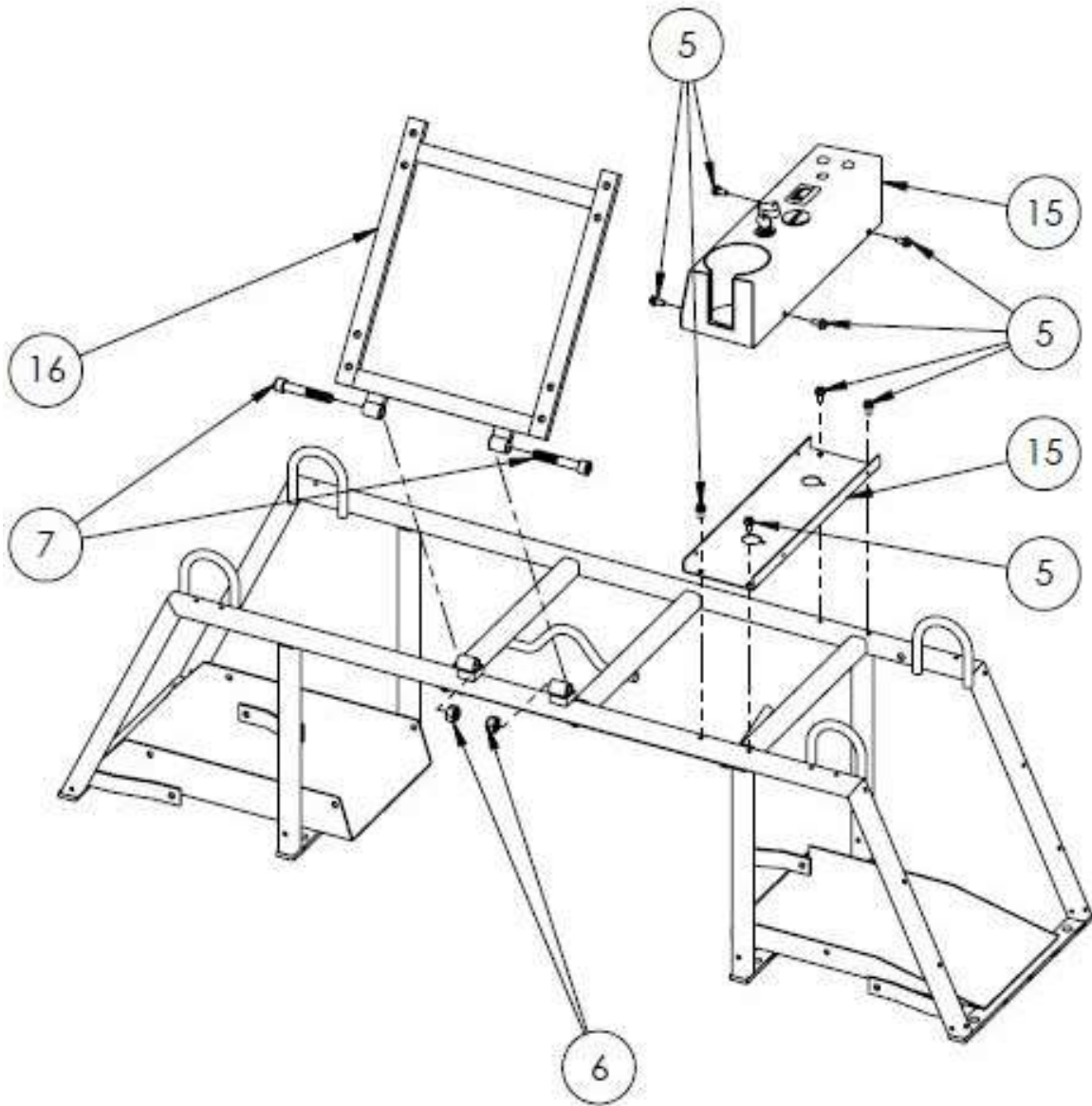


Figure 4: Seat Frame Assembly

TITAN, SEAT FRAME: 16801 – PARTS LIST 2

Item #	Part #	Description	QTY	Remarks
8	30141	LOCKNUT 1/4-20UNC	6	
11	21725	M6-1X6, SHCS, METRIC	2	
27	18150	GAS TANK	1	
28	13839	HOLD DOWN BOLT	6	
29	10192	GAS TANK HOLD-DOWN BAR	2	
30	16018	CARB COVER W/TROWEL HOLDER	1	
31	18126	CARB CANISTER	1	
32	13192	BATTERY BOX-BLACK POLY	1	
33	16045	SQUARE LED LIGHT	2	
34	16046	RECTANGLE LED LIGHT	1	
35	18124	CARB CANISTER BRACKET	2	
43	10915	HEX NUT, 5/16-18UNC	5	
44	10402	LOCKWASHER, 5/16, ZP	5	
45	10403	HHCS 5/16-18 X 2"LG	2	

TITAN, SEAT FRAME: 16801



TITAN, SEAT FRAME: 16801 – PARTS LIST 2

Item #	Part #	Description	QTY	Remarks
5	14596	HWHS 1/4-20 X 1/2"LG THREAD CUTTING	8	
6	10956	M12-1.5 NYLOCK NUT	2	
7	11863	SHCS, M10-1.75X70MM LG, ZP	2	
15	16043	TITAN CONTROL BOX	1	
16	16004	HINGED PLATE	1	

TITAN, SEAT FRAME: 16801

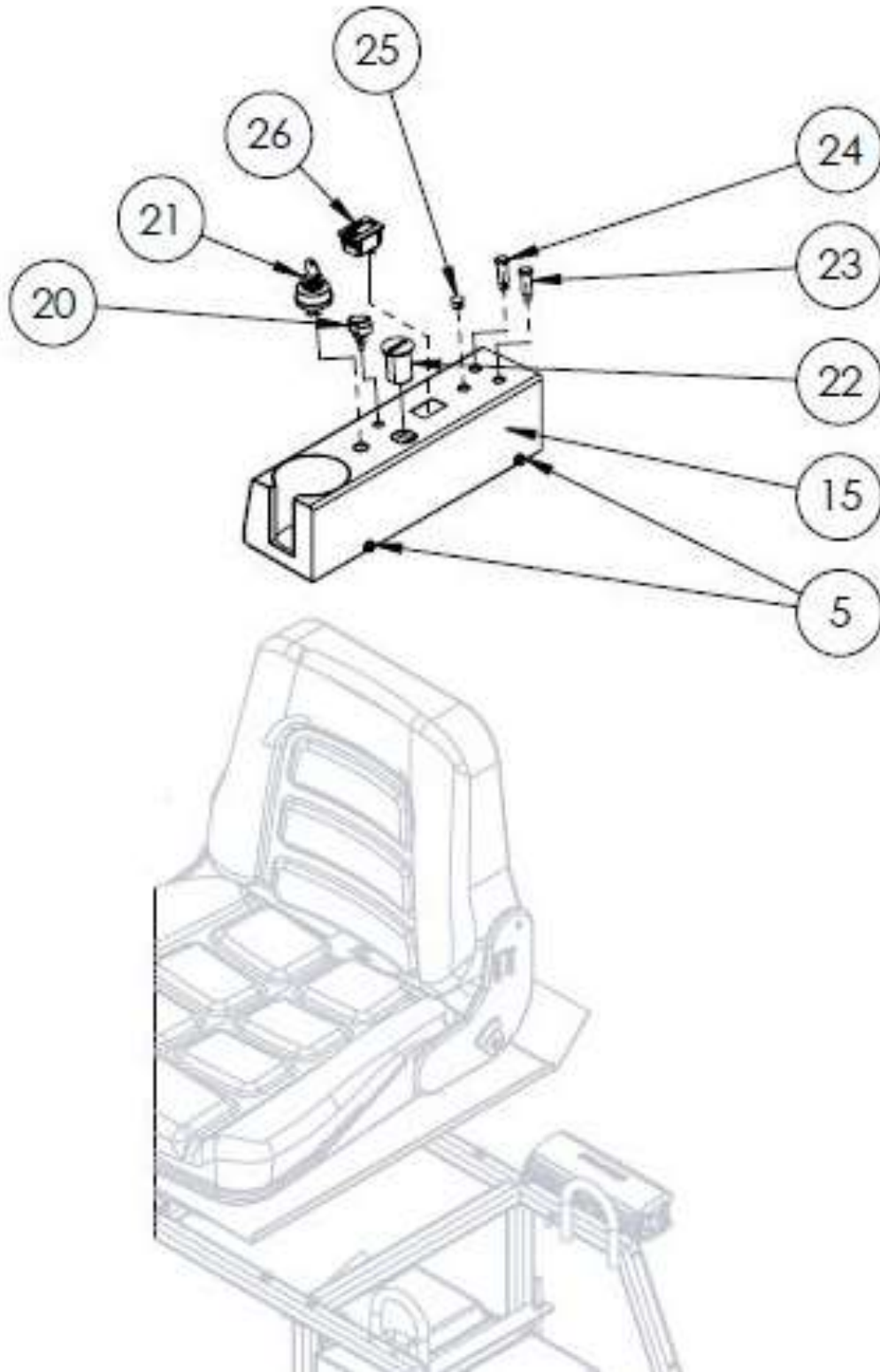
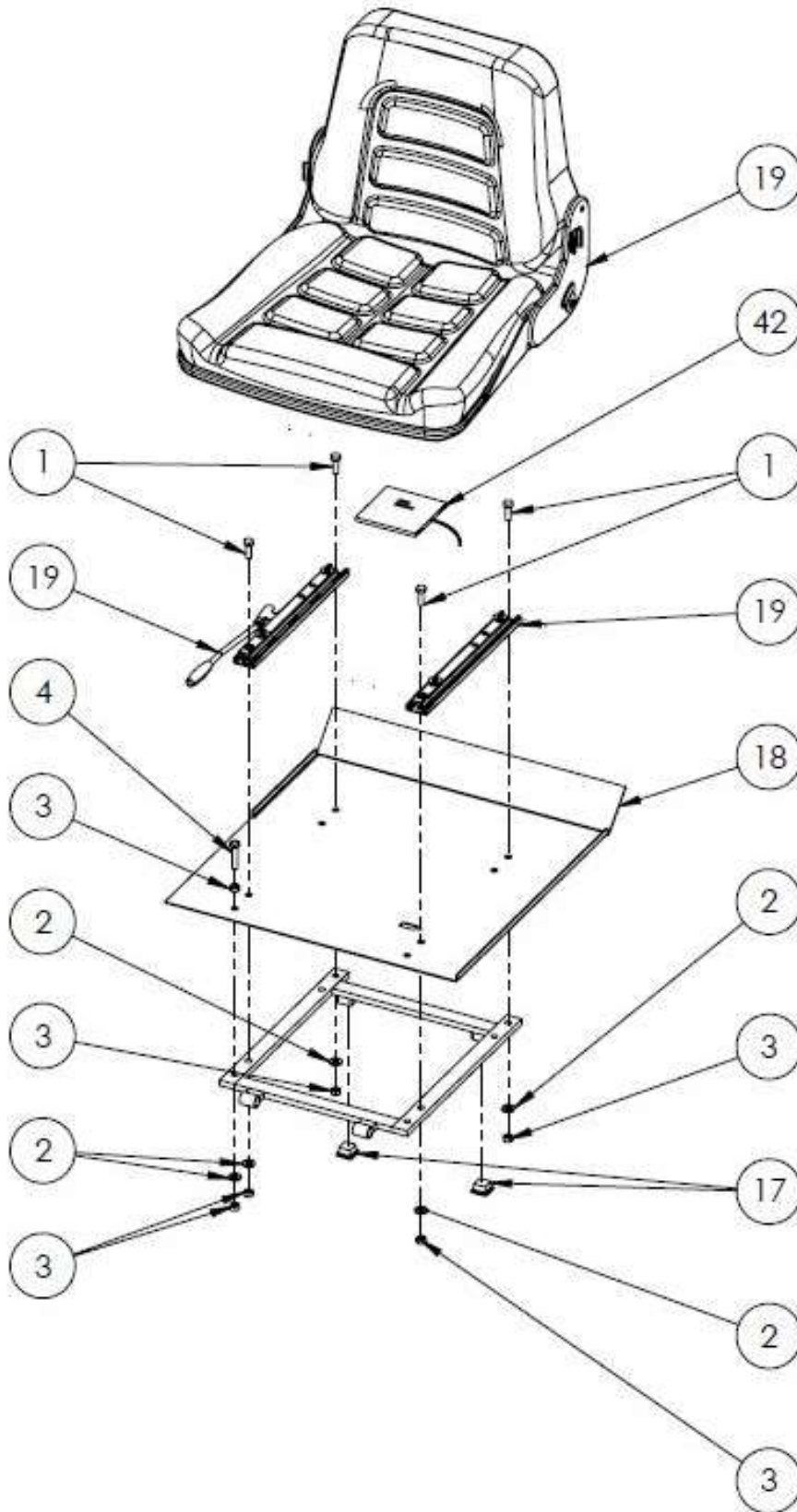


Figure 6: Seat Frame Assembly

TITAN, SEAT FRAME: 16801 – PARTS LIST 2

Item #	Part #	Description	QTY	Remarks
5	14596	HWHS 1/4-20 X 1/2"LG THREAD CUTTING	2	
15	16043	TITAN CONTROL BOX	1	
20	14377	SWITCH, ON/OFF, SPST, BLUE	1	
21	13953	IGNITION SWITCH	1	
22	16061	DUAL USB CHARGER	1	
23	14379	CONTROL LAMP, RED, 12 VDC	1	
24	14378	CONTROL LAMP, AMBER, 12 VDC	1	
25	16146	PLUG, HOLE, 1/2"	1	
26	16140	TACH/HOUR METER	1	

TITAN, SEAT FRAME: 16801



TITAN, SEAT FRAME: 16801 – PARTS LIST 2

Item #	Part #	Description	QTY	Remarks
1	11619	HHCS, M8-1.25 X 25MM LG, ZP	4	
2	11614	LOCK WASHER, M8, ZP	5	
3	11615	NUT, HEX, M8-1.25, ZP	6	
4	10452	HHCS M8 X 40MM	1	
17	10573	CAP PLUG	2	
18	16142	TITAN RIDER HEAT SHIELD	1	
19	13641-1	OPERATOR'S SEAT, BLACK	1	
42	16075	SWITCH, OPERATOR'S SEAT (N.O)	1	

Figure 7: Seat Frame Assembly

## PARTS LIST 3 – RIDE-ON TROWELS

TITAN, 88 PANELS: 16817

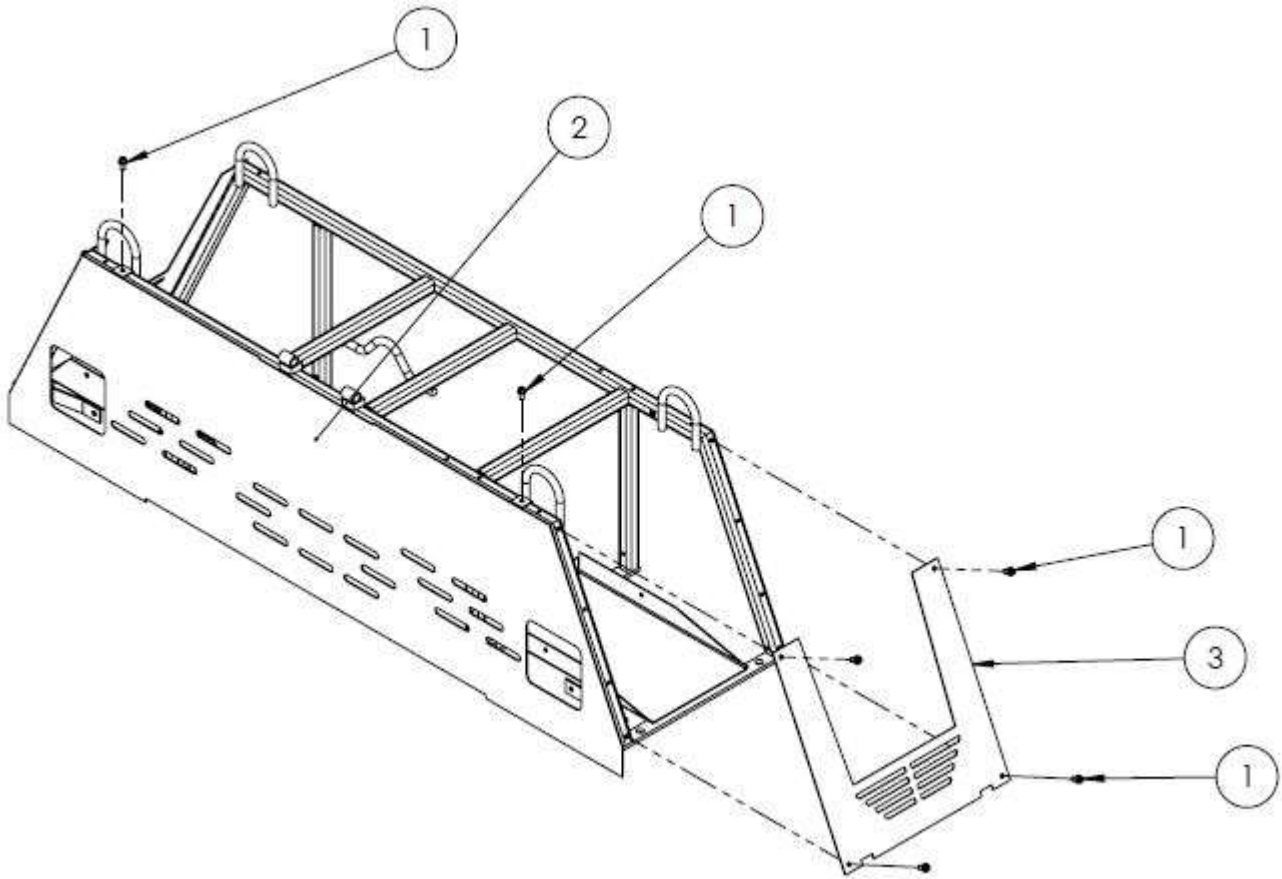


Figure 8: Panel Assembly

TITAN, 88 PANELS: 16817 – PARTS LIST 3

Item #	Part #	Description	QTY	Remarks
1	14596	HWHS 1/4-20 x 1/2"LG THREAD CUTTING	10	
2	16054	FRONT PANEL	1	
3	16053	SIDE PANEL 88	2	

**PARTS LIST 4 – RIDE-ON TROWELS**

TITAN, 88 RINGS: 16816

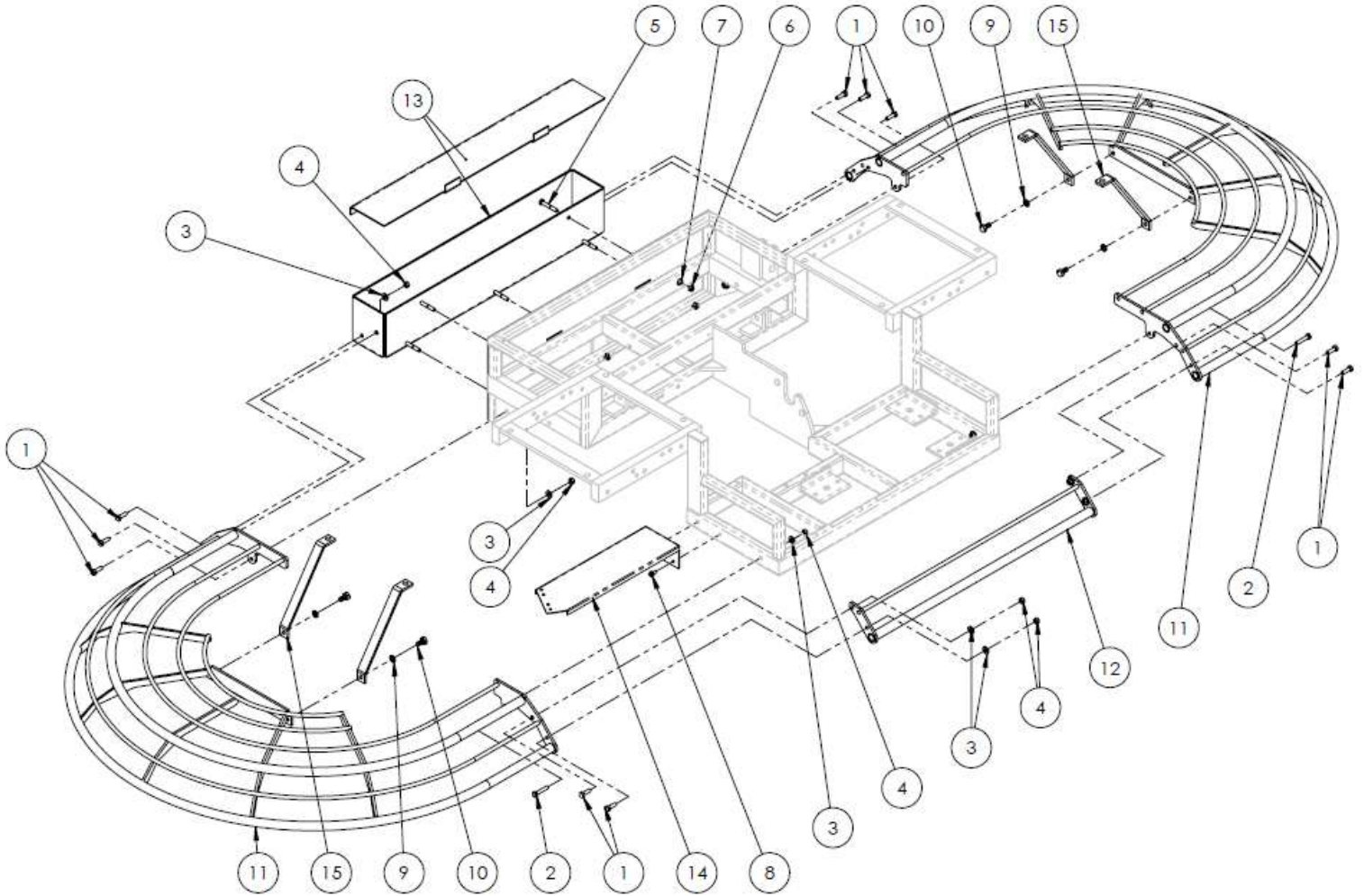


Figure 9: Ring Assembly

TITAN, 88 RINGS: 16816 – PARTS LIST 4

Item #	Part #	Description	QTY.	Remarks
1	11619	HHCS, M8-1.25 X 25MM LG, ZP	10	
2	10452	HHCS M8 x 40MM	2	
3	11614	LOCK WASHER, M8, ZP	12	
4	11615	NUT, HEX, M8-1.25, ZP	12	
5	10453	HHCS M8-1.25 x 50MM	5	
6	11617	LOCK NUT, 5/16"-18UNC, NYLOCK, ZP	5	
7	11667	WASHER, FLAT, 5/16, ZP	5	
8	14596	HWHS 1/4-20 x 1/2"LG THREAD CUTTING	2	
9	11621	LOCKWASHER, M10	4	
10	31008	HHCS, M10-1.5 X 20MM LG, ZP	4	
11	16071	GUARD RING	2	
12	16073	BACK GUARD	1	
13	16019	TOOL BOX WITH COVER	1	
14	16120	TITAN RING COVER PLATE	1	
15	16127	TITAN GUARD RING BRACKET	4	

PARTS LIST 5 – RIDE-ON TROWELS

POWERPLANT ASSEMBLY

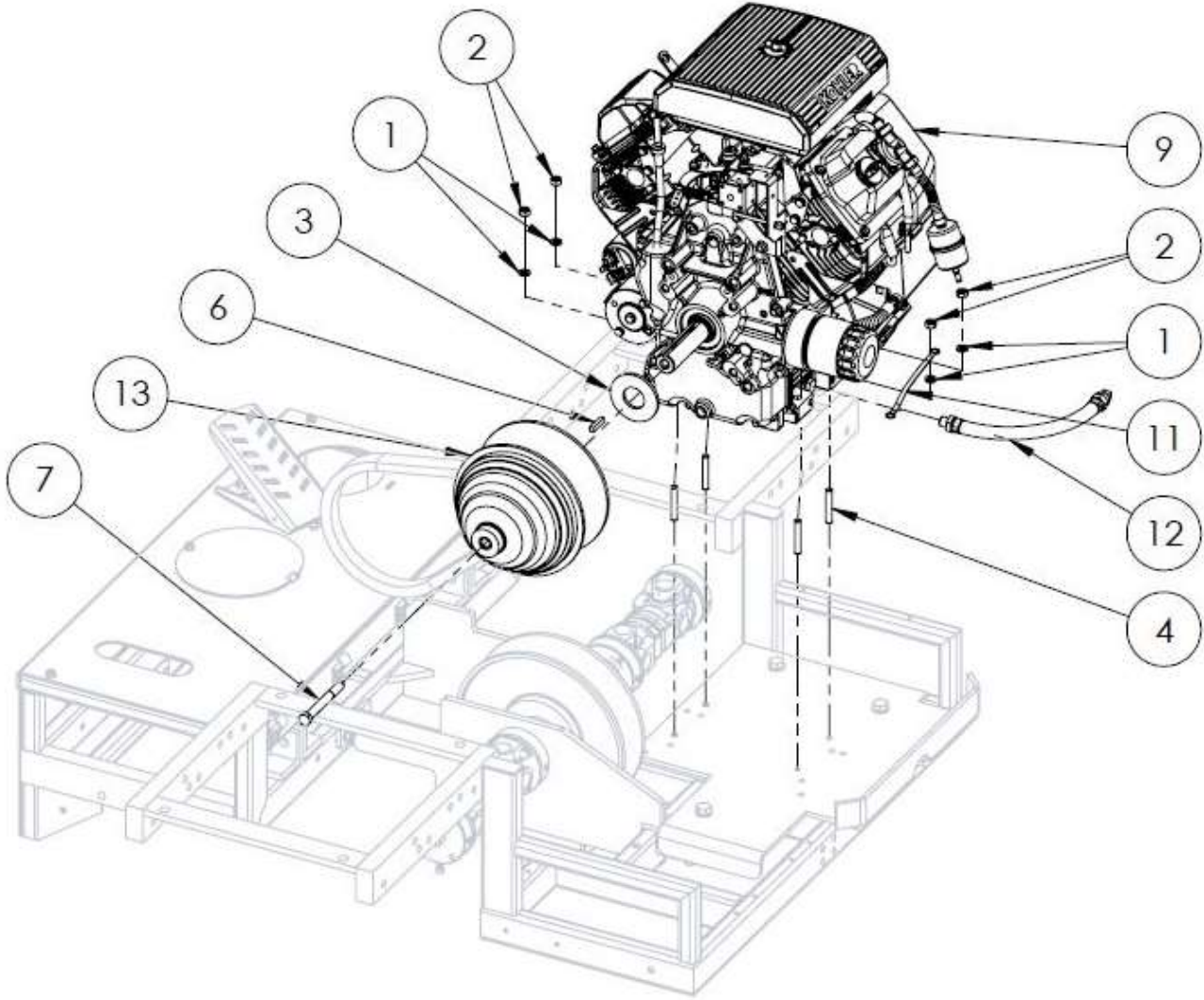


Figure 10: Power Plant Assembly

POWERPLANT ASSEMBLY – PARTS LIST 5

Item #	Part #	Description	QTY	Remarks
1	11614	LOCK WASHER, M8, ZP	4	
2	11615	NUT, HEX, M8-1.25, ZP	4	
3	12708	CLUTCH SPACER, 1-1/8"	1	
4	11867	STUD, M8-1.25 X 50MM	4	
5	---	WIRE HARNESS, TITAN	1	
6	10608	KEY, 1/4" SQUARE X 1-5/32" LG.	1	
7	13487	HHCS 7/16-20 X 3-1/2"LG	1	
8	13491	LOCKWASHER 7/16"DIA	1	
9	---	ENGINE	1	
10	14704	CVT CLUTCH DRIVE	1	
11	13098	GROUND STRAP	1	
12	---	OIL DRAIN	1	
13	14704	CVT DRIVE CLUTCH	1	

**PARTS LIST 6 – RIDE-ON TROWELS**

TITAN, COMMON STEERING: 16805 LEFT HAND SIDE

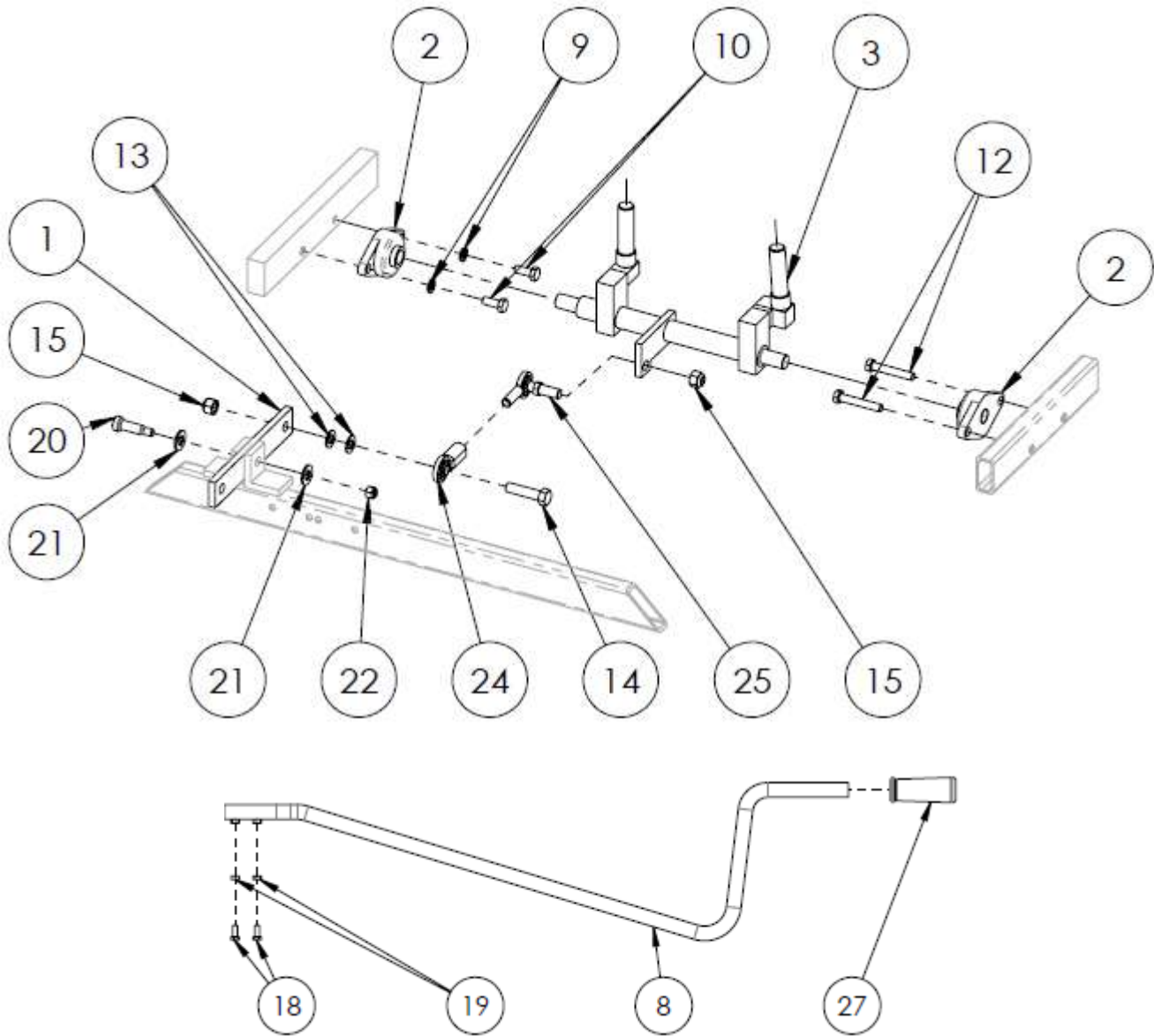


Figure 11: Steering Assembly

TITAN, COMMON STEERING: 16805 LEFT HAND SIDE – PARTS LIST 6

Item #	Part #	Description	QTY	Remarks
1	16006	PIVOT ARM	1	
2	13570	FLANGE BEARING	2	
3	16013	STEERING SHAFT - LH	1	
8	16049	TITAN HANDLE	2	
9	11621	LOCKWASHER, M10	2	
10	13348	HHCS, M10-1.5 X 25MM LG, ZP	2	
12	13350	HHCS, M10-1.5 X 60MM LG, ZP	2	
13	12930	WASHER, FLAT, 7/16" DIAMETER, ZP	2	
14	981260	HEX BOLT, 1/2-13 UNC x 2 LG	1	
15	12517	NYLOCK NUT, 1/2-20UNF	2	
18	10999	HHCS M8 x 20MM	4	
19	11615	NUT, HEX, M8-1.25, ZP	4	
20	12985	SHSB 1/2"SHLDR x 3/8-16 x 1-1/4"LG	1	
21	50026	1/2" FLATWASHER	2	
22	10317	3/8-16UNC LOCKNUT, NYLON	1	
24	12420	ROD END PIVOT ASS'Y - FEMALE	1	
25	13932	ROD END - MALE/MALE	1	
27	13065	HANDLE GRIP 1"	4	



TITAN, COMMON STEERING: 16805 RIGHT HAND SIDE – PARTS LIST 6

Item #	Part #	Description	QTY	Remarks
1	16006	PIVOT ARM	1	
2	13570	FLANGE BEARING	2	
4	16014	STEERING SHAFT, RH	1	
5	13883	BEARING	4	
6	16010	OUTSIDE STEERING LINK-RH	1	
7	16011	INSIDE STEERING LINK-RH	1	
8	16049	TITAN HANDLE	2	
9	11621	LOCKWASHER, M10	2	
10	13348	HHCS, M10-1.5 X 25MM LG, ZP	2	
11	11802	LOCK NUT, M10-1.5, NYLOCK, ZP	2	
14	981260	HEX BOLT, 1/2-13 UNC x 2 LG	1	
15	12517	NYLOCK NUT, 1/2-20UNF	2	
16	12592	HEX JAM NUT 1/2-20UNF	1	
17	12969	THREADED ROD 1/2-20 x 2-1/4"LG	1	
18	10999	HHCS M8 x 20MM	8	
19	11615	NUT, HEX, M8-1.25, ZP	8	
20	12985	SHSB 1/2"SHLDR x 3/8-16 x 1-1/4"LG	1	
21	50026	1/2" FLATWASHER	2	
22	10317	3/8-16UNC LOCKNUT, NYLON	1	
23	10696	SPRING PIN, 5MM x 30	2	
24	12420	ROD END PIVOT ASS'Y - FEMALE	1	
25	13932	ROD END - MALE/MALE	1	
26	12412	ROD END PIVOT ASS'Y - FEMALE/MALE	2	
27	13065	HANDLE GRIP 1"	4	

**PARTS LIST 7 – RIDE-ON TROWELS**

TITAN, 88 STEERING: 16814 LEFT HAND SIDE

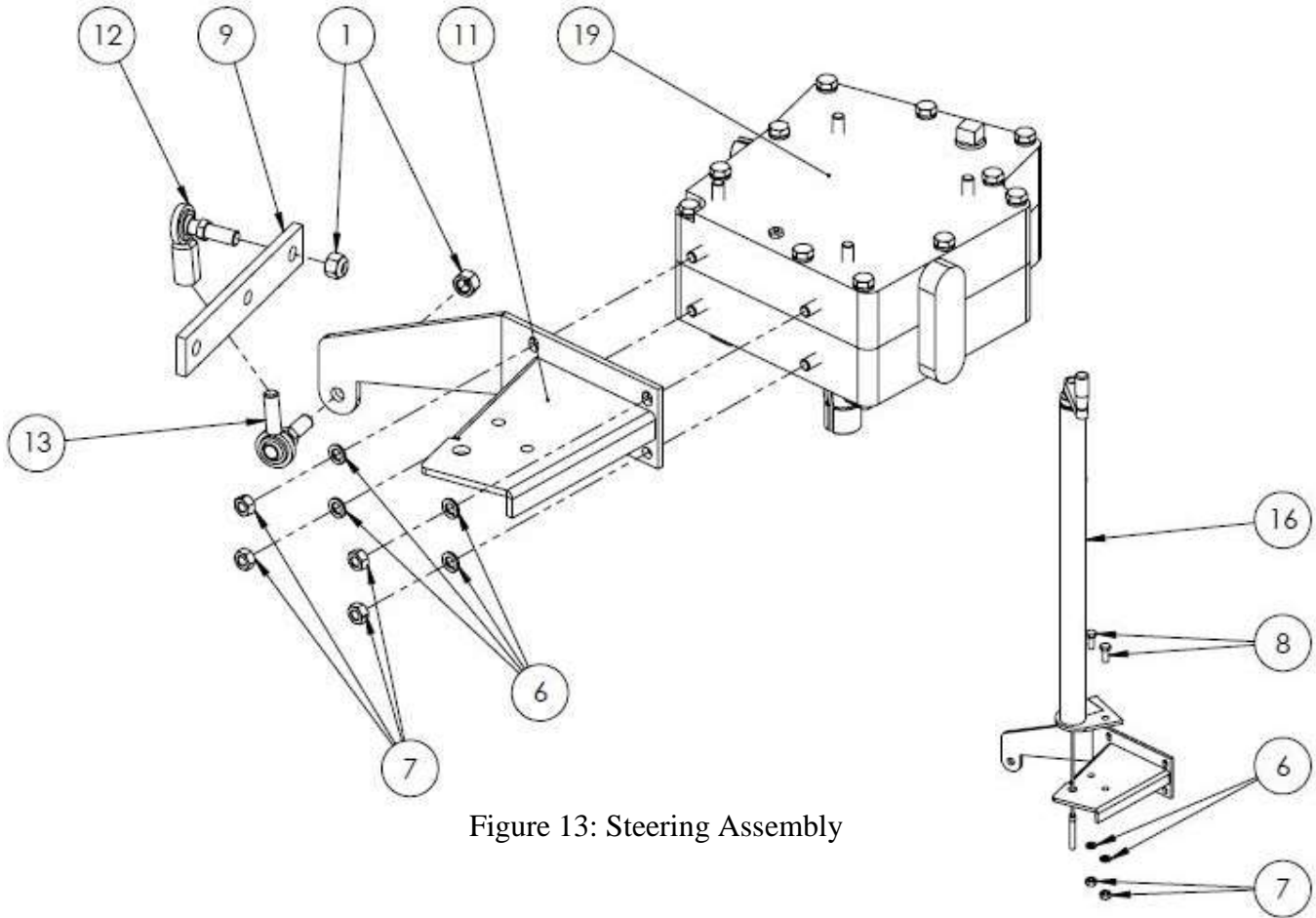


Figure 13: Steering Assembly

TITAN, 88 STEERING: 16814 LEFT HAND SIDE – PARTS LIST 7

Item #	Part #	Description	QTY	Remarks
1	12517	NYLOCK NUT, 1/2-20UNF	8	
6	11621	LOCKWASHER, M10	12	
7	11622	HEX NUT, M10-1.5	12	
8	13348	HHCS, M10-1.5 X 25MM LG, ZP	4	
9	16006	PIVOT ARM	1	
11	16129	CONTROL ARM, LH	1	
12	12412	ROD END PIVOT ASS'Y - FEMALE/MALE	2	
13	13932	ROD END - MALE/MALE	3	
16	16114	TITAN PITCH CONTROL ASSEMBLY	2	
19	16021	LH GEARBOX ASSEMBLY	1	



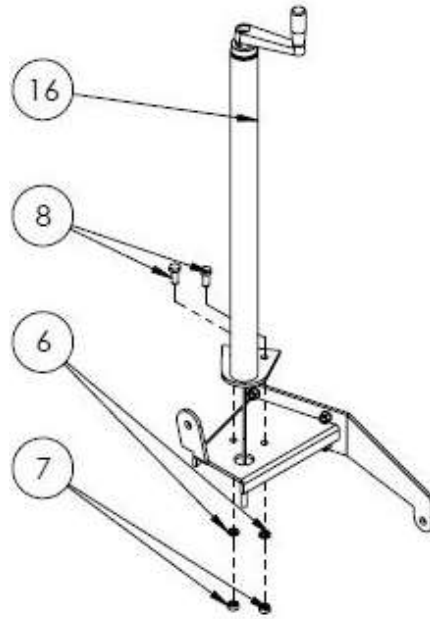


Figure 15: Steering Assembly

TITAN, 88 STEERING: 16814 RIGHT HAND SIDE – PARTS LIST 7

Item #	Part #	Description	QTY	Remarks
1	12517	NYLOCK NUT, 1/2-20UNF	4	
2	12930	WASHER, FLAT, 7/16" DIA, ZP	2	
3	981260	HEX BOLT, 1/2-13 UNC x 2 LG	3	
4	12969	THREADED ROD 1/2-20 x 2-1/4"LG	1	
5	12592	HEX JAM NUT 1/2-20UNF	1	
6	11621	LOCKWASHER, M10	6	
7	11622	HEX NUT, M10-1.5	6	
8	13348	HHCS, M10-1.5 X 25MM LG, ZP	2	
9	16006	PIVOT ARM	1	
10	16130	CONTROL ARM, RH	1	
12	12412	ROD END PIVOT ASS'Y - FEMALE/MALE	1	
13	13932	ROD END - MALE/MALE	2	
14	16121	STEERING PIVOT	1	
15	12420	ROD END PIVOT ASS'Y - FEMALE	3	
16	16114	TITAN PITCH CONTROL ASSEMBLY	2	
17	16123	LEVER PIN	1	
18	10696	SPRING PIN, 5MM x 30 LG	2	
20	16020	RH GEARBOX ASSEMBLY	1	

## PARTS LIST 8 – RIDE-ON TROWELS

PITCH CONTROL ASSEMBLY: 16114

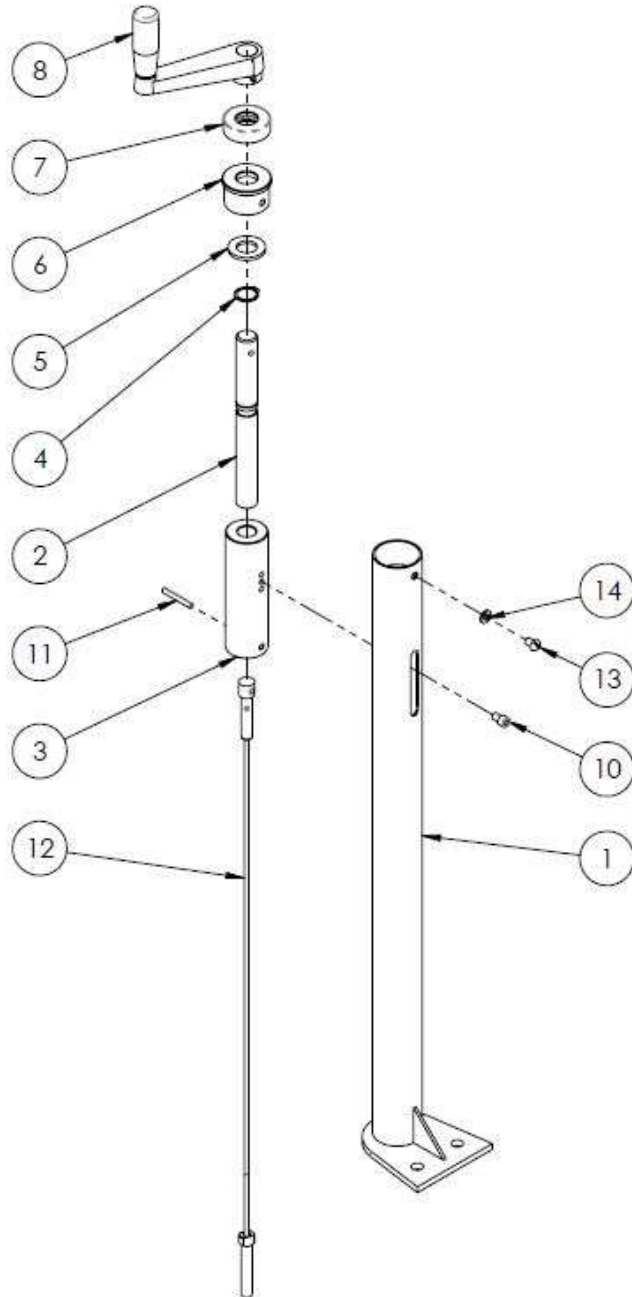


Figure 16: Pitch Control Assembly

PITCH CONTROL ASSEMBLY: 16114 – PARTS LIST 8

Item #	Part #	Description	QTY	Remarks
1	14333	PITCH CONTROL TUBE	1	
2	10303	SCREW SHAFT	1	
3	10308	THREADED SLIDE BUSHING	1	
4	10307	RETAINER	1	
5	10306	WASHER 3/4"DIA	1	
6	10305	SCREW SHAFT	1	
7	10304	BEARING	1	
8	12893	CRANK HANDLE ASS'M	1	
9	10315	PIN 3/16"DIA x 1-1/4"LG	1	
10	10510	SHCS, 1/4"-20UNCx3/8"LG	1	
11	10309	SPRING PIN 3/16"DIA x 1-1/2"LG	1	
12	22539	PITCH CONTROL CABLE	1	
13	10511	RHMS 1/4-20 x 3/8"LG SLOTTED	1	
14	10521	LOCKWASHER, 1/4"	1	

**PARTS LIST 9 – RIDE-ON TROWELS**

TITAN 88, DRIVETRAIN: 16815

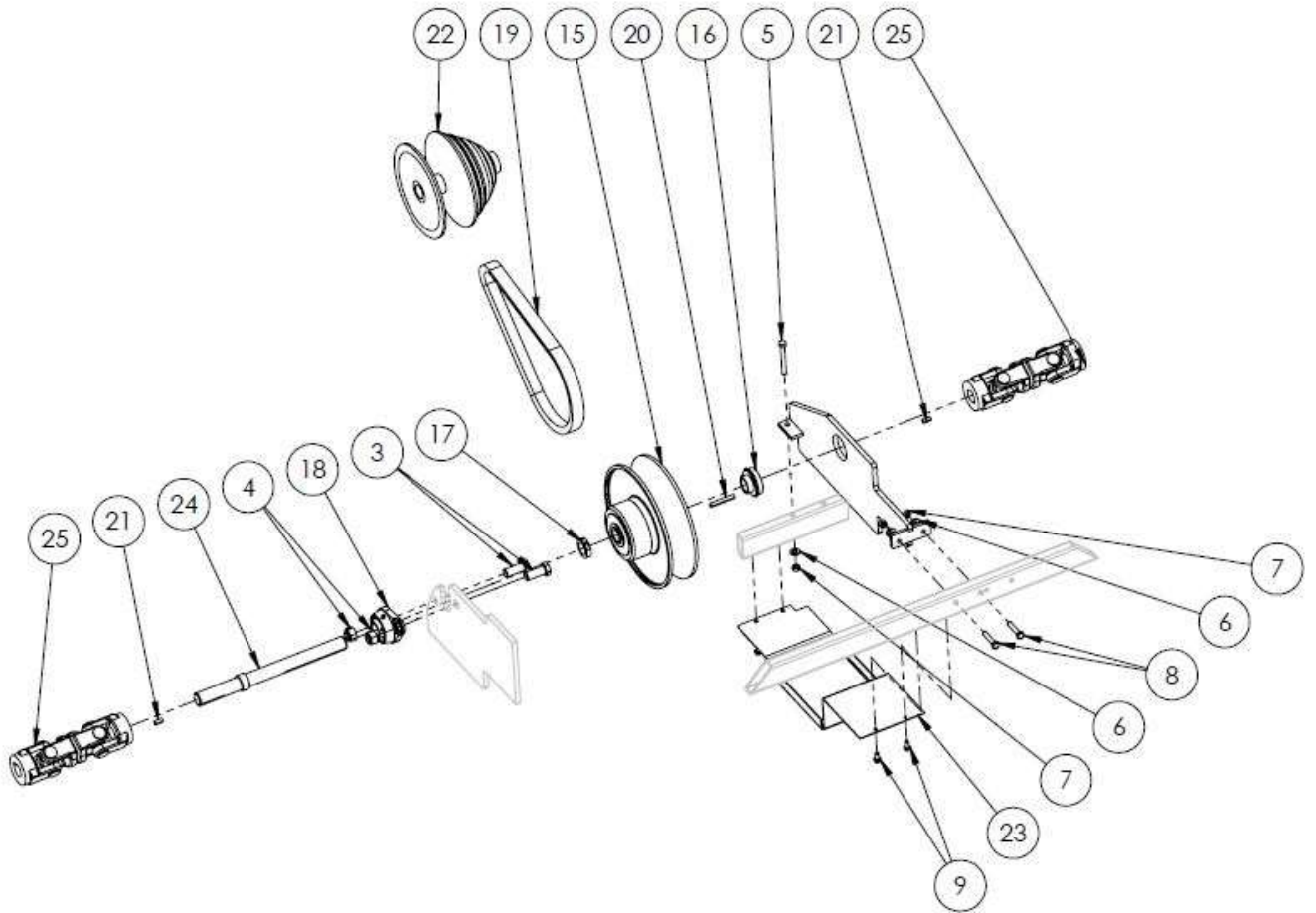


Figure 17: Drivetrain Assembly

TITAN 88, DRIVETRAIN: 16815 – PARTS LIST 9

Item #	Part #	Description	QTY	Remarks
3	16148	HHCS, M16-1.5 X 40MM LG	2	
4	16147	LOCK NUT, M16-1.5, ZP	2	
5	11745	HHCS, M8-1.25 X 55MM LG, ZP	1	
6	11614	LOCK WASHER, M8, ZP	3	
7	11615	NUT, HEX, M8-1.25, ZP	3	
8	10452	HHCS M8 X 40MM	2	
9	14596	HWHS 1/4-20 X 1/2"LG THREAD CUTTING	4	
15	14724	DRIVEN PULLEY	1	
16	16105	BEARING	1	
17	16111	SHAFT COLLAR	1	
18	12453	FLANGE BEARING	1	
19	14879	V-BELT BX36	1	
20	11003	KEY 1/4" SQ X 2"LG	1	
21	16149	KEY 1/4" SQ X 5/8"LG	2	
22	14704	CVT DRIVE CLUTCH	1	
23	16141	CVT SPLASH GUARD SMALL	1	
24	16118	TITAN 88 SHAFT	1	
25	13767	U-JOINT DRIVE COUPLING	2	

**PARTS LIST 10 – RIDE-ON TROWELS**

DRIVETRAIN ASSEMBLY DRAWING: 16800

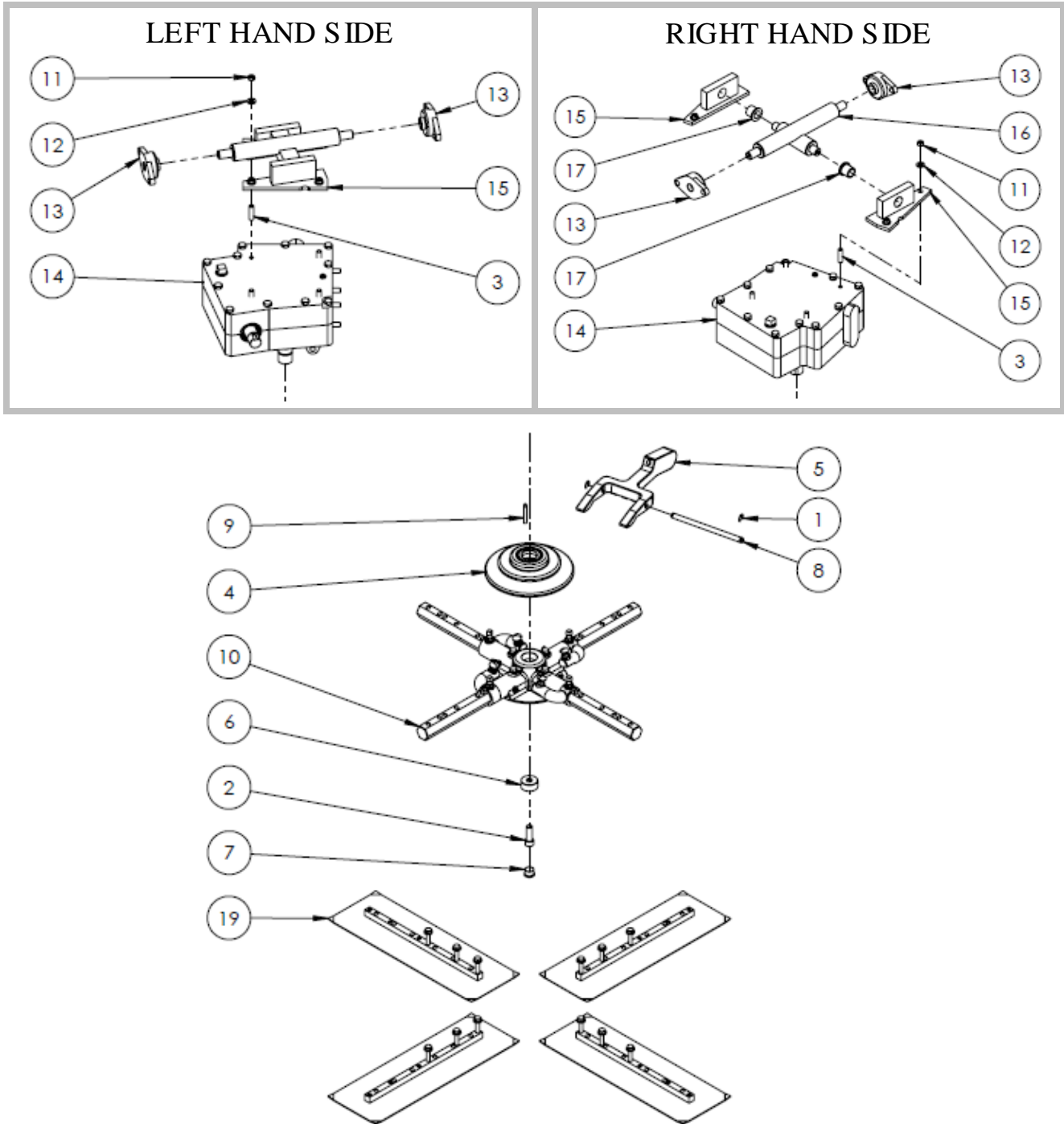


Figure 18: Drivetrain Assembly

DRIVETRAIN ASSEMBLY: 16800 – PARTS LIST 10

Item #	Part #	Description	QTY	Remarks
1	10913	RETAINING RING 7/16"DIA SHAFT	2	
2	10809	SHCS 1/2"-13, 1.5" LG	1	
3	11389	M10x1.5x37MM STUD	8	
4	20626	PRESSURE PLATE ASSEMBLY LG	1	
5	10311	YOKE ARM LARGE	1	
6	10804	SPIDER PLATE RETAINING WASHER (LARGE)	1	
7	10823	CAP PLUG	1	
8	10914	YOKE ARM PIN	1	
9	22800	SPIDER ROUND END KEY	1	
10	16017	LH 4-BLADE SPIDER PLATE ASSEMBLY	1	
	16016	RH 4-BLADE SPIDER PLATE ASSEMBLY	1	
11	11622	NUT, HEX, M10-1.25, ZP	4	
12	11621	LOCK WASHER, M10, ZP	4	
13	13570	FLANGE BEARING	2	
14	16021	LH TITAN GEARBOX ASS'M	1	
	16020	RH TITAN GEARBOX ASS'M	1	
15	16009	LH GEARBOX MOUNTING BRACKET	1	
	16007	RH GEARBOX MOUNTING BRACKET	2	
16	16008	RIGHT MOUNTING BRKT ASSY	1	
17	12593	FLANGED BUSHING	2	
19	20662	BLADE KIT, FINISH	1	
	20663	BLADE KIT, COMBO	1	

**PARTS LIST 11 – RIDE-ON TROWELS**

GEARBOX ASSEMBLY: 16020 and 16021  
16021 Shown

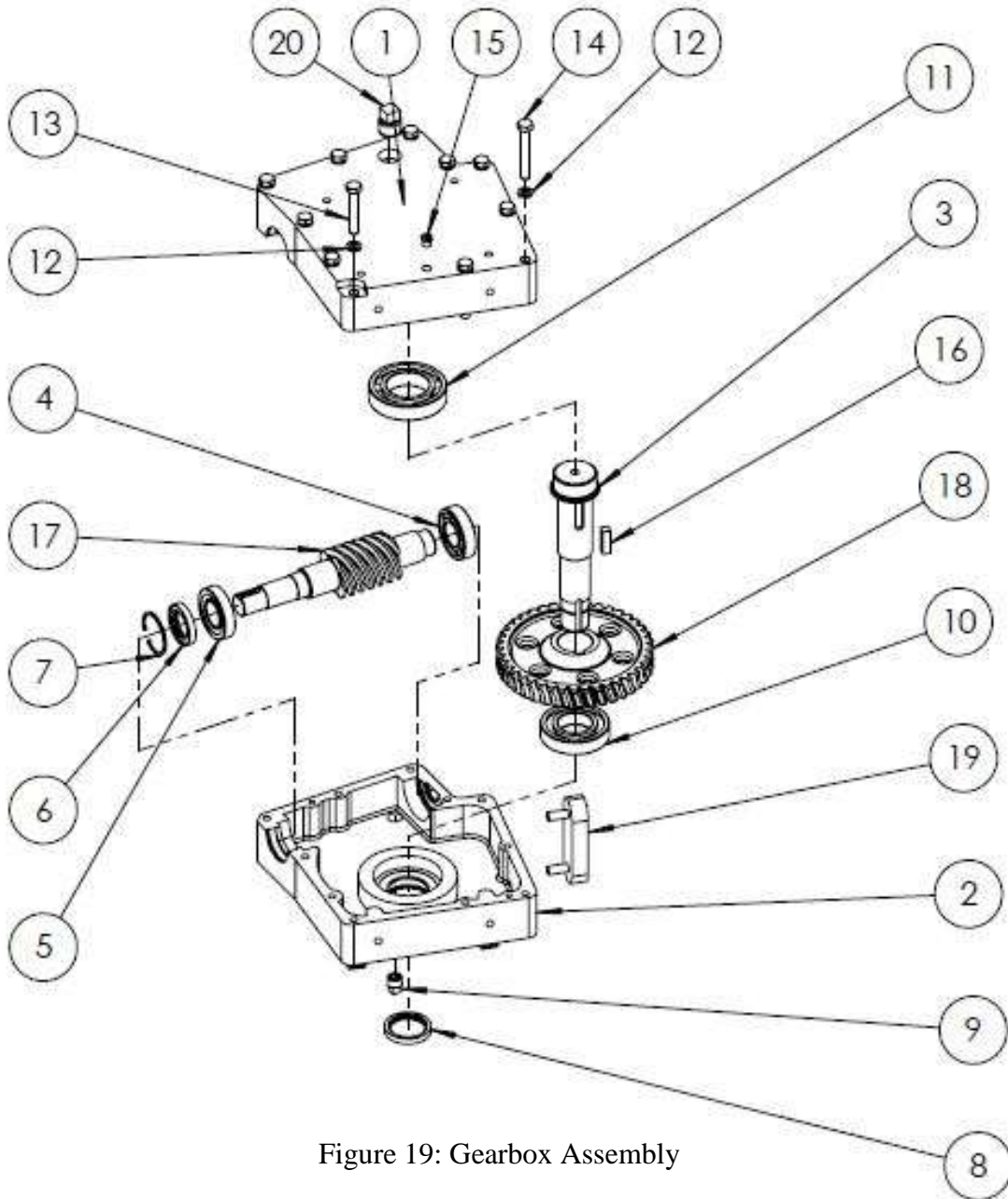


Figure 19: Gearbox Assembly

GEARBOX ASSEMBLY: 16021 and 16020 – PARTS LIST 11

Item #	Left Side 16021	Right Side 16020	Description	QTY	Remarks
1	16022	16024	GEARBOX - TOP	1	
2	16023	16025	GEARBOX - BOTTOM	1	
3	16026		MAIN SHAFT	1	
4	13911		WORMSHAFT BEARING	1	
5	13509		TAPER ROLLER BEARING	1	
6	13912		OIL SEAL	1	
7	13913		INTERNAL RETAINING CLIP	1	
8	13967		MAIN SEAL - GEARBOX	1	
9	10911		PLUG 3/8 NPT	1	
10	13910		MAINSHAFT BEARING - BOTTOM	1	
11	13909		MAINSHAFT BEARING - TOP	1	
12	11621		LOCKWASHER 10MM	11	
13	13350		HHCS, M10-1.5 X 60MM LG, ZP	1	
14	13349		HHCS, M10-1.5 X 70MM LG, ZP	10	
15	10909		RELIEF VALVE	1	
16	13919		3/8" SQ, KEY 1.25" LG	1	
17	16028	16030	WORM SCREW	1	
18	16027	16029	WORM WHEEL	1	
19	16144		LEVEL INDICATOR	1	
20	16143		3/4" NPT Plug	1	

## PARTS LIST 12 – RIDE-ON TROWELS

SPIDER PLATE ASSEMBLY: 16016 and 16017  
16017 Assembly Shown

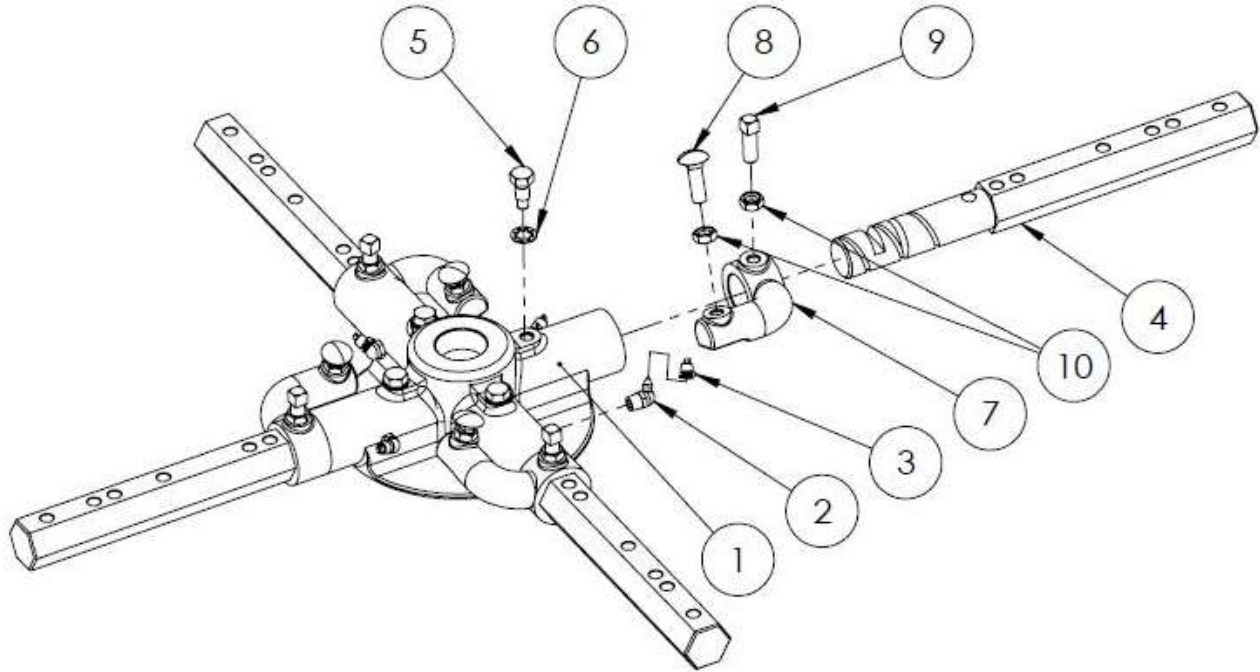


Figure 20: Spider Plate Assembly

SPIDER PLATE ASSEMBLY (GREASE): 16016 and 16017 – PARTS LIST 12

Item #	Left Side, CW 16016	Right Side, CCW 16017	Description	QTY	Remarks
1	14159	14160	4 SPOKE SPIDER PLATE	1	
2		10801	GREASE FITTING, 65 DEG, 1/8 NPT	4	
3		10822	CAP GREASE, NIPPLE, 1/8 ALEMITE	4	
4		16015	TITAN SPIDER ARM	4	
5		10806	3/8-UNC DOG POINT BOLT	4	
6		10805	LOCKWASHER, INT. STAR 3/8 STEEL	4	
7	14162	14163	LIFT LEVER	4	
8		10807	CARRIAGE BOLT, 3/8-16x1 1/4"LG	4	
9		10809	SHSS, 3/8-16 x 1" LG. STEEL	4	
10		10808	HEX JAM NUT 3/8-16 UNC	8	

**PARTS LIST 13 – RIDE-ON TROWELS**

PRESSURE PLATE ASSEMBLY: 20626

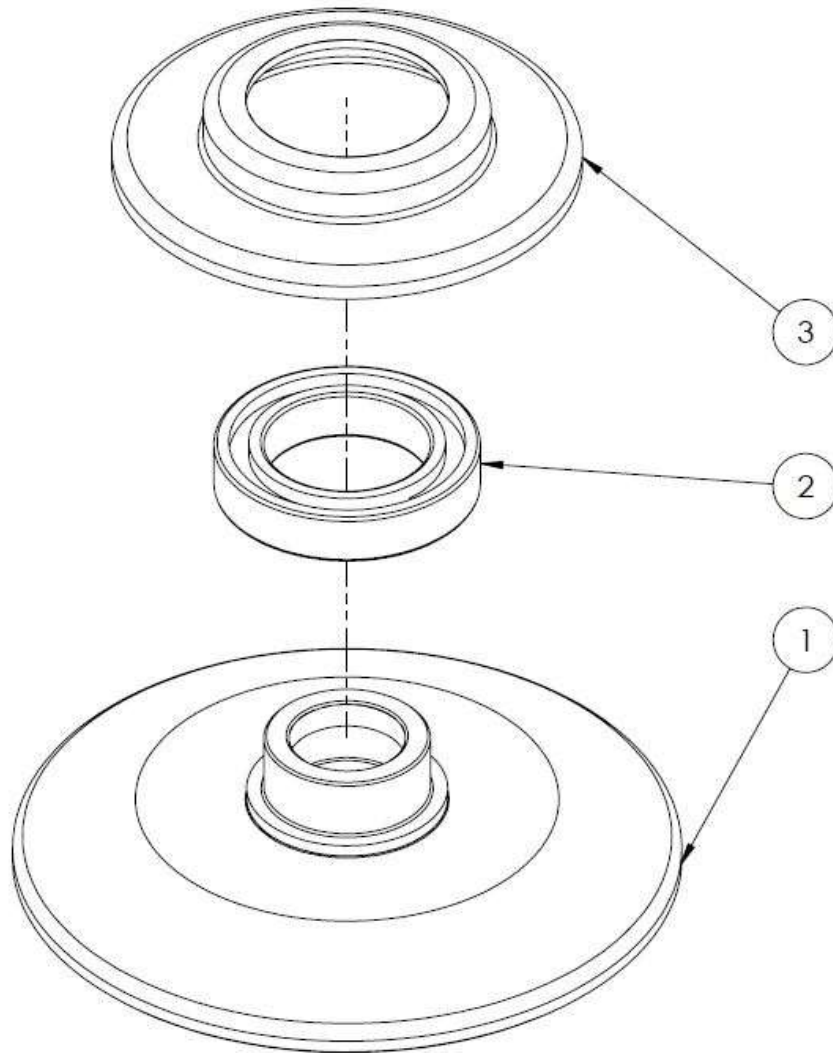


Figure 21: Pressure Plate Assembly

PRESSURE PLATE ASSEMBLY: 20626 – PARTS LIST 13

Item #	Part #	Description	QTY	Remarks
1	10659	LARGE PRESSURE PLATE	1	
2	10663	LARGE THRUST BEARING	1	
3	10667	LARGE PRESSURE PLATE CAP	1	

## PARTS LIST 14 – RIDE-ON TROWELS

TROWEL BLADE ASSEMBLY: BRT88  
Finish Blades Shown

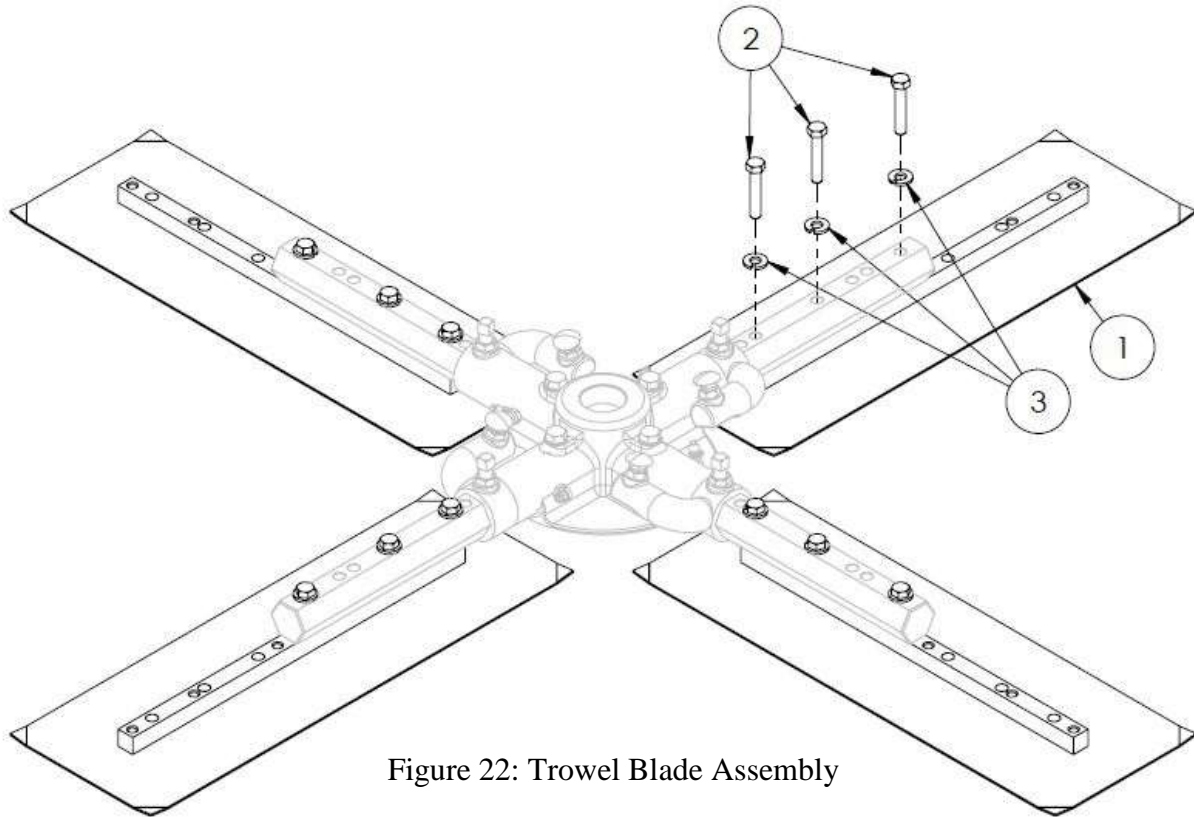


Figure 22: Trowel Blade Assembly

TROWEL BLADE ASSEMBLY: BRT88 (6x18 Finish – 4 Blades) METRIC – PARTS LIST 14

Item #	Part #	Description	QTY	Remarks
1	20662	6X18 METRIC TROWEL BLADE	4	
2	10453	HHCS M8-1.25 X 50MM	8	
3	11614	LOCK WASHER 8MM	8	

TROWEL BLADE ASSEMBLY: BRT88 (8x18 Combo – 4 Blades) – PARTS LIST 14

Item #	Part #	Description	QTY	Remarks
1	20664	6x18 METRIC COMBO BLADE	4	
2	10401	HHCS 5/16-18 x 1-1/2" LG, GRADE 5	8	
3	10402	LOCK WASHER Ø5/16"	8	

## PARTS LIST 15 – RIDE-ON TROWELS

WEIGHT PACKAGE (OPTION): 16091

\*Can hold up to 12 weights

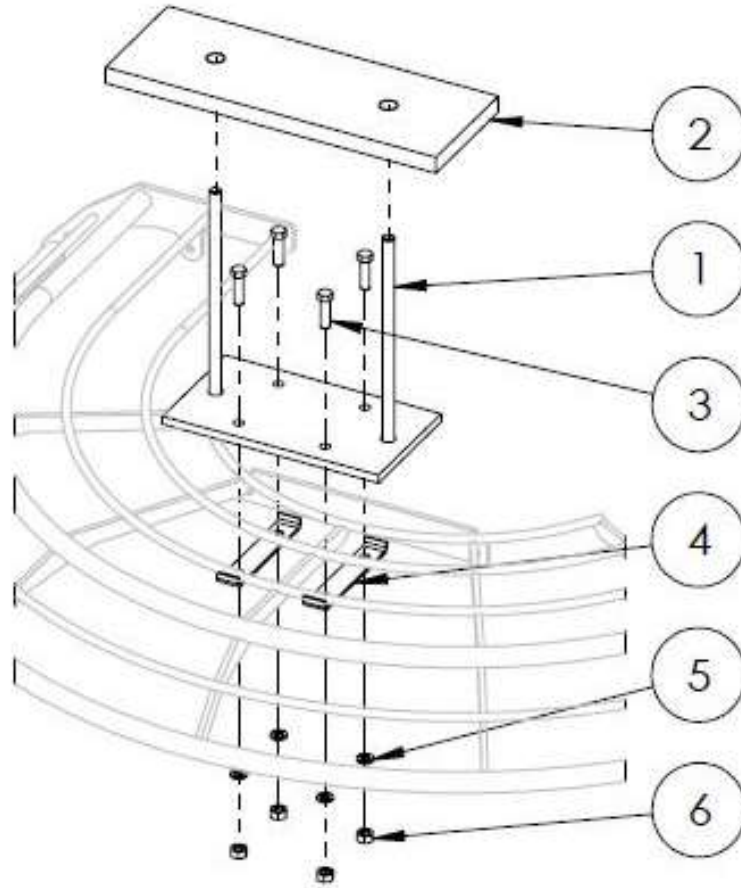


Figure 23: Weight Package Assembly

WEIGHT PACKAGE (OPTION): 16091 – PARTS LIST 15

Item #	Part #	Description	QTY	Remarks
1	11621	LOCKWASHER 10MM	4	
2	11622	HEX NUT, M10-1.5	4	
3	10889	HHCS, M10-1.5 X 30MM LG.	4	
4	16077	WEIGHT HOLDER	1	
5	16138	BRACKET	2	
6	16078	WEIGHT 18LB EACH	12	



RETARDANT SPRAYER (OPTION): 16099 – PARTS LIST 16

Item #	Part #	Description	QTY	Remarks
1	14596	HWHS 1/4-20 x 1/2"LG THREAD CUTTING	2	
2	11614	LOCK WASHER, M8, ZP	1	
3	11615	NUT, HEX, M8-1.25	1	
4	11619	HHCS, M8-1.25 X 25MM LG	1	
5	13839	HOLD DOWN BOLT w/ WING NUT, WASHER	1	
6	10703	LOCK WASHER, INTERNAL TOOTH, #10	2	
7	11035	PHMS M4-0.7 X 8MM LG	2	
8	18133	SPRAY SYS TANK, ASSEMBLY	1	
9	14234	SOLENOID w/VALVE, 12VDC	1	
10	16155	WATER TANK HOLD DOWN BAR	1	
11	14696	BRASS FITTING - HOSE BARB	2	
12	14179	SPRAY NOZZLE	2	
13	16137	SPRAY NOZZLE BRACKET	2	
14	18143	TEE, 3/16"	1	
15	16124	RETARDANT TANK HOLDER	1	
16		RETARDANT HOSES		
17	16124-3	WATER TANK HOLDER BRACKET	1	
18	11620	LOCKWASHER, M6	1	
19	30281	HHCS, M6-1.0x25MM, ZP	1	