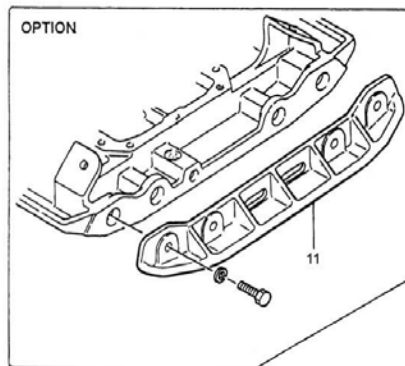
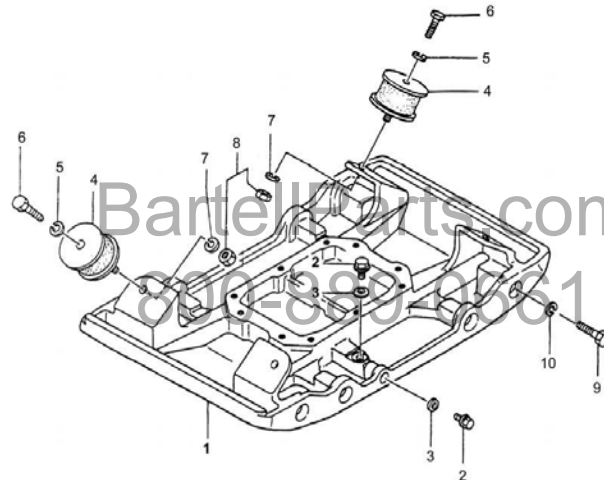


PARTS LIST 1 – REVERSIBLE HYDRAULIC PLATE COMPACTORS

VIBRATING PLATE

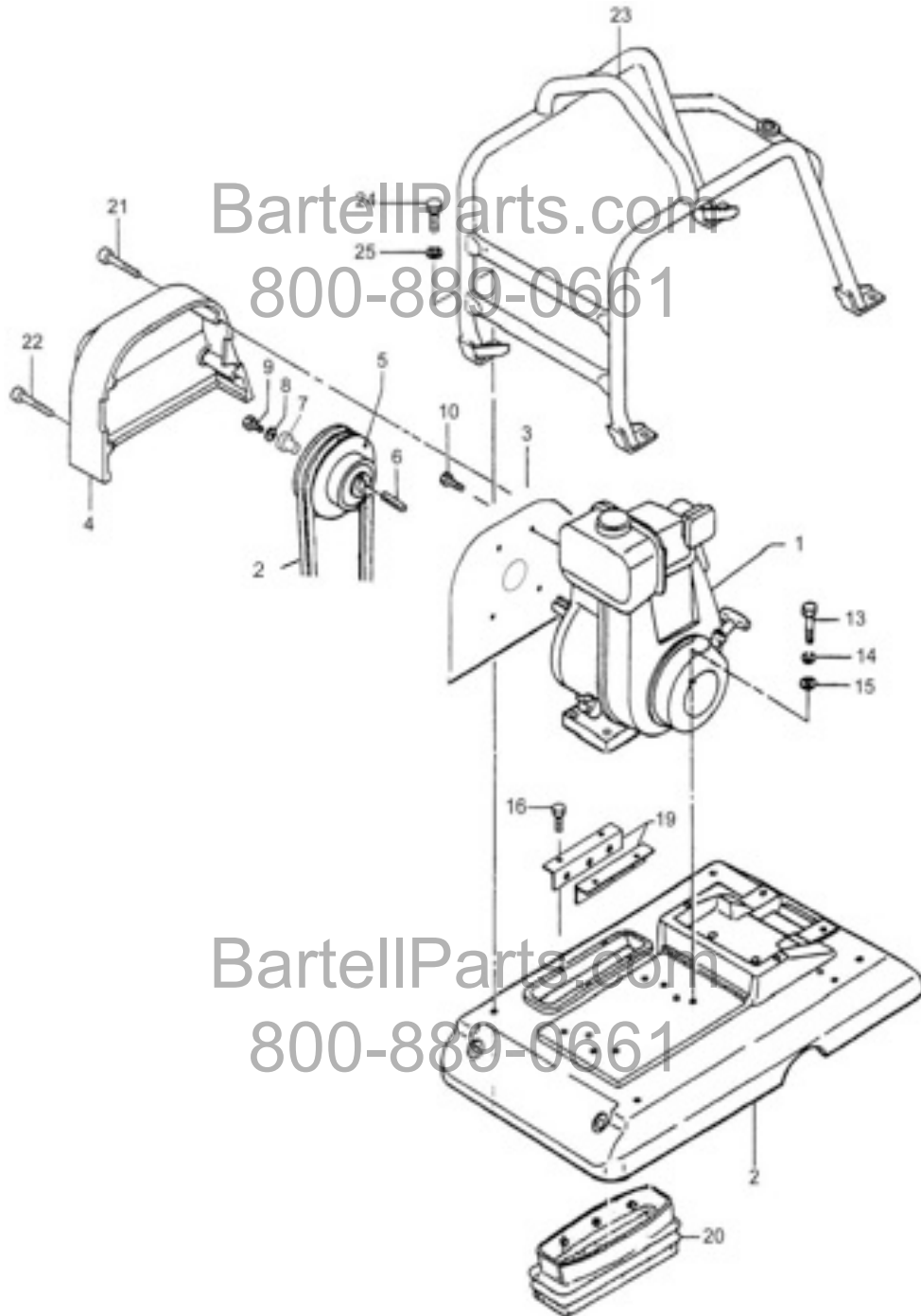


VIBRATING PLATE BR5100 - PARTS LIST 1

Item #	Part #	Description	QTY	Remarks
1	CPC-405-1A	VIBRATING PLATE	1	
2	CPC-405-2A	DRAIN PLUG M16x1.5	2	
3	CPC-405-3A	PACKING 16	2	
4	CPC-405-4A	SHOCK ABSORBER	4	
5	CPC-405-5A	SW M16	4	
6	CPC-405-6A	BOLT M16x75T	4	
7	CPC-405-7A	SW M16	4	
8	CPC-405-8A	NUT M16	4	
9	CPC-405-9A	BOLT M16x50T	8	
10	CPC-405-010A	SW M16	8	
11	CPC-405-011A	EXTENSION PLATE	2	Option

PARTS LIST 2 – REVERSIBLE HYDRAULIC PLATE COMPACTORS

BODY



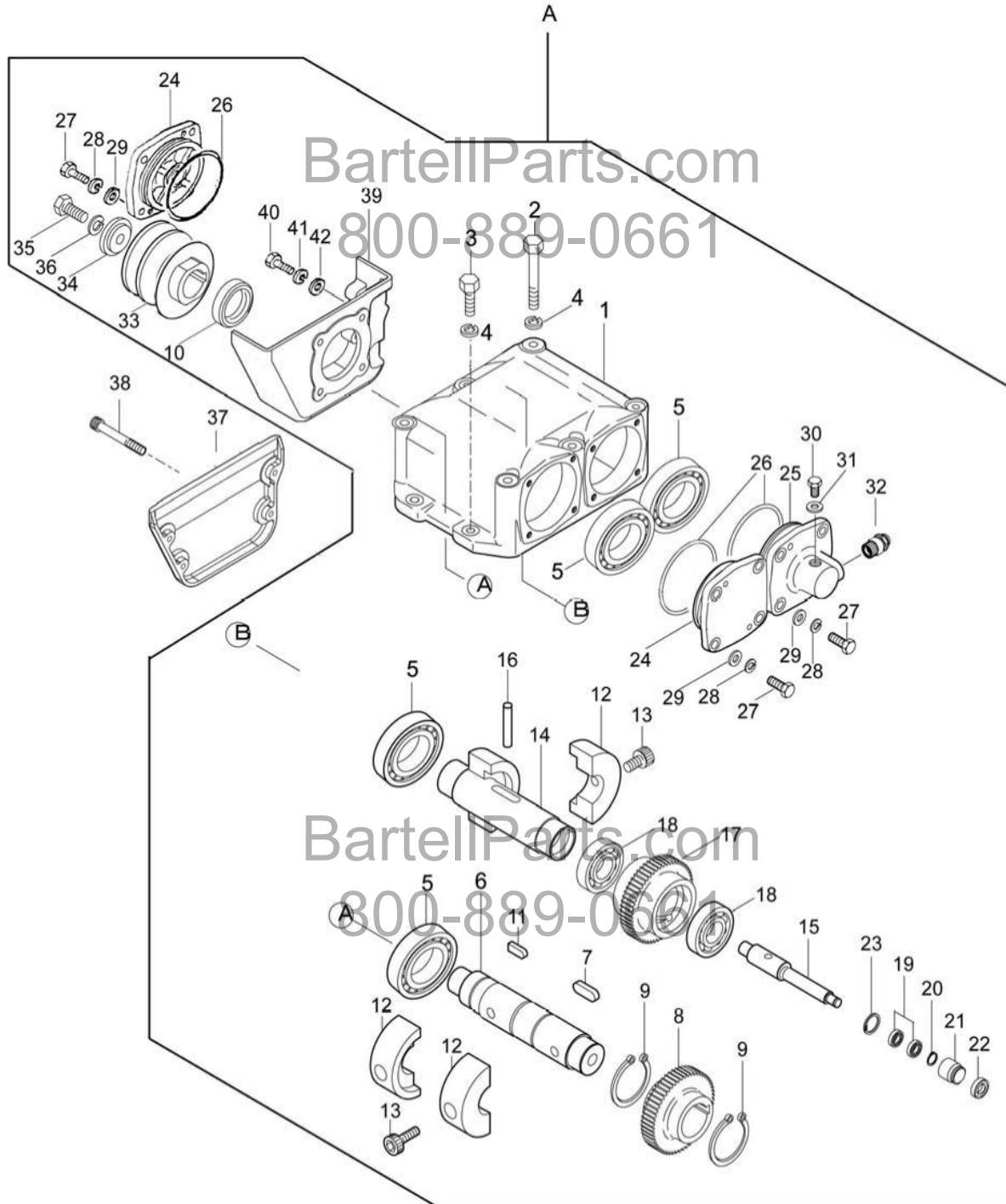
MAIN BODY BR5100– PARTS LIST 2

Item #	Part #	Description	QTY	Remarks
1	CPC-405-1B	ENGINE	1	
2	CPC-405-2B	BASE	1	
3	CPC-405-3B	BELT COVER (IN)	1	
4	CPC-405-4B	BELT COVER (OUT)	1	
5	CPC-405-5B	CLUTCH ASSY.	1	
6	CPC-405-6B	KEY 7x7x35	1	
7	CPC-405-7B	WASHER	1	
8	CPC-405-8B	SW M8	1	
9	CPC-405- 9B	BOLT M8x55T	1	
10	CPC-405-10B	BOLT M8x25T	4	
13	CPC-405-13B	BOLT M10x45T	4	
14	CPC-405-14B	SW M10	4	
15	CPC-405-15B	PW M10	4	
16	CPC-405-16B	BOLT M6x15T	4	
19	CPC-405-18B	HOLDER, DUST COVER	2	
20	CPC-405-20B	DUST COVER	1	
21	CPC-405-21B	SOCKET BOLT M10x80T	2	
22	CPC-405-22B	SOCKET BOLT M10x90T	2	
23	CPC-405-23B	GUARD FRAME	1	
24	CPC-405-24B	BOLT M14x30T	4	
25	CPC-405-25B	SW M14	4	
26	CPC-405-26B	V-BELT	1	

BartellParts.com
800-889-0661

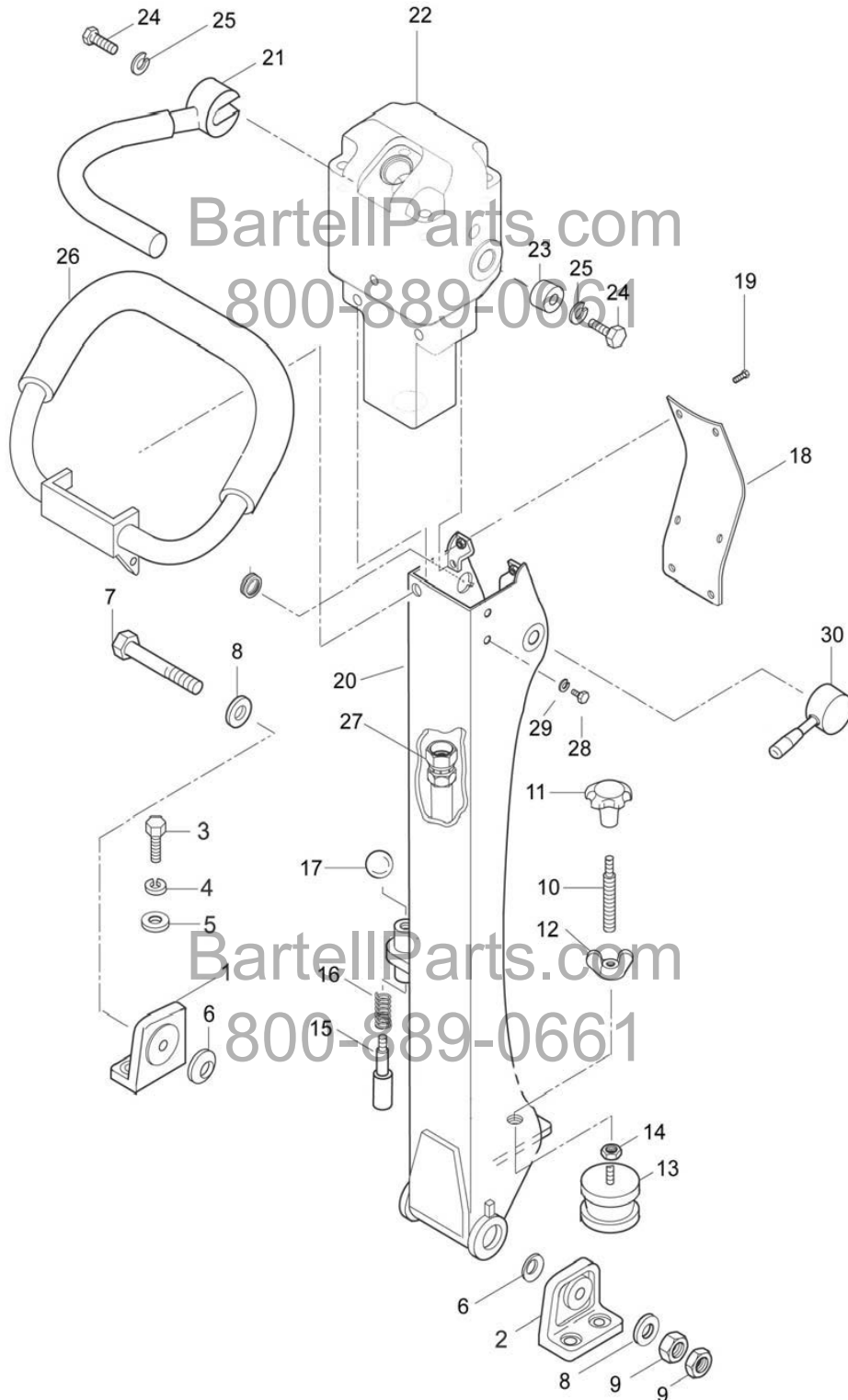
PARTS LIST 3 – REVERSIBLE HYDRAULIC PLATE COMPACTORS

VIBRATOR



VIBRATOR BR5100 – PARTS LIST 3

Item #	Part #	Description	QTY	Remarks
C	CPC-405-C	VIBRATOR ASSEMBLY	1	
1	CPC-405-1C	VIBRATOR CASE	1	
2	CPC-405-2C	BOLT M14x160T	6	
3	CPC-405-3C	BOLT M14x60T	4	
4	CPC-405-4C	SW M14	10	
5	CPC-405-5C	ROLLER BEARING NJ310 C3	4	
6	CPC-405-6C	ROTARY SHAFT, DRIVE	1	
7	CPC-405-7C	KEY 16x10x40	1	
8	CPC-405-8C	GEAR (DRIVE)	1	
9	CPC-405-9C	STOP RING S-55	2	
10	CPC-405-10C	OIL SEAL SB-50729	1	
11	CPC-405-11C	KEY 12x8x30	1	
12	CPC-405-12C	ECCENT, ROTATOR	4	
13	CPC-350-13C	SOCKET HEAD BOLT 16x30	4	
14	CPC-405-14C	ROTARY SHAFT, DRIVEN	1	
15	CPC-405-15C	PISTON ROD	1	
16	CPC-405-16C	KNOCK PIN 10x70	1	
17	CPC-405-17C	GEAR (DRIVEN)	1	
18	CPC-405-18C	BEARING 6911	2	
19	CPC-405-19C	BEARING 6000ZZ	2	
20	CPC-405-20C	STOP RING S-10	1	
21	CPC-405-21C	PISTON 22.4D	1	
22	CPC-405-22C	PACKING	1	
23	CPC-405-23C	STOP RING R-26	1	
24	CPC-405-24C	BEARING COVER	2	
25	CPC-405-25C	CYLINDER	1	
26	CPC-405-26C	O-RING G-105	3	
27	CPC-405-27C	BOLT M10x25T	12	
28	CPC-405-28C	SW M10	12	
29	CPC-405-29C	PW M10	1	
30	CPC-405-30C	BOLT M8x12T	1	
31	CPC-405-31C	PACKING 8	1	
32	CPC-405-32C	ELBOW	1	
33	CPC-405-33C	PULLEY	1	
34	CPC-405-34C	WASHER, PULLEY	1	
35	CPC-405-35C	BOLT M12x40T	1	
36	CPC-405-36C	SW M12	1	
37	CPC-405-37C	BELT COVER (LOWER-OUT)	1	
38	CPC-405-38C	SOCKET HEAD BOLT M8x35	4	
39	CPC-405-39C	BELT COVER (LOWER-IN)	1	
40	CPC-405-40C	BOLT M10x35T	4	
41	CPC-405-41C	SW M10	4	



CONTROL BR5100 – PARTS LIST 4

Item #	Part #	Description	QTY	Remarks
1	CPC-405-1D	HANDLE BRACKET	1	
2	CPC-405-2D	HANDLE BRACKET (R)	1	
3	CPC-405-3D	BOLT M12x35T	4	
4	CPC-405-4D	SW M12	4	
5	CPC-405-5D	PW M12	4	
6	CPC-405-6D	CONICAL SPRING WASHER M24	2	
7	CPC-405-7D	BOLT M16x250T	1	
8	CPC-405-8D	PW M16	2	
9	CPC-405-9D	NUT M16	2	
10	CPC-405-10D	SPINDLE	1	
11	CPC-405-11D	KNOB	1	
12	CPC-405-12D	WING NUT M16	1	
13	CPC-405-13D	SHOCK ABSORBER	1	
14	CPC-405-14D	NUT M10, H=6	1	
15	CPC-405-15D	HANDLE STOPPER	1	
16	CPC-405-16D	SPRING/HANDLE (1.4x18x44)	1	
17	CPC-405-17D	BALL GRIP 32D-M10	1	
18	CPC-405-18D	HANDLE COVER	1	
19	CPC-405-19D	BOLT M6x15T	8	
20	CPC-405-20D	HANDLE	1	
21	CPC-405-21D	TRAVEL LEVER	1	
22	CPC-405-22D	HAND PUMP AY	1	
23	CPC-405-23D	HANDLE BOSS	1	
24	CPC-405-24D	BOLT M10x30T	2	
25	CPC-405-25D	SW M10	2	
26	CPC-405-26D	GRIP	1	
27	CPC-405-27D	OIL HOSE	1	
28	CPC-405-28D	BOLT M8x25T	2	
29	CPC-405-29D	SW M8	2	
30	CPC-405-30D	THROTTLE LEVER AY	1	
30-1	CPC-405-30-1D	THROTTLE WIRE	1	

HAND PUMP ASSEMBLY – BR5100 – PARTS LIST 5

Item #	Part #	Description	QTY	Remarks
1	CPC-350-1E	COVER (HAND PUMP)	1	
2	CPC-350-2E	CYLINDER CP (PUMP)	1	
3	CPC-350-3E	PISTON CP (PUMP)	1	
4	0CPC-350-4E	CONTROL SHAFT (PUMP)	1	
5	CPC-350-5E	BUSH	2	
6	CPC-350-6E	BEARING 6001zz	2	
7	CPC-350-7E	O-RING 7x2	2	
8	CPC-350-8E	PIN 7x30	1	
9	CPC-350-9E	PISTON SPRING (PUMP)	1	
10	CPC-350-10E	STOP PLUG	1	
11	CPC-350-11E	SPRING PIN	1	
12	CPC-350-12E	BREATHER (PUMP)	1	
12-1	CPC-350-12-1E	O-RING P-20	1	
13	CPC-350-13E	STOPPER	1	
14	CPC-350-14E	PLUG	1	
15	CPC-350-15E	SOCKET HEAD BOLT 8x35T	4	
16	CPC-350-16E	O-RING P-25	1	
17	CPC-350-17E	O-RING S-28	1	
18	CPC-350-18E	O-RING S-67	1	
19	CPC-350-19E	O-RING P-15	2	
20	CPC-350-20E	O-RING P-20	2	
21	CPC-350-21E	PACKING 8	1	

BartellParts.com
800-889-0661