

# **PARTNER**

888-634-4289

Illustrated Parts List 2000-05 CD

***KV 03 ACTIVE***

**1999-2000**

ConstructionParts.com



108 30 01-41

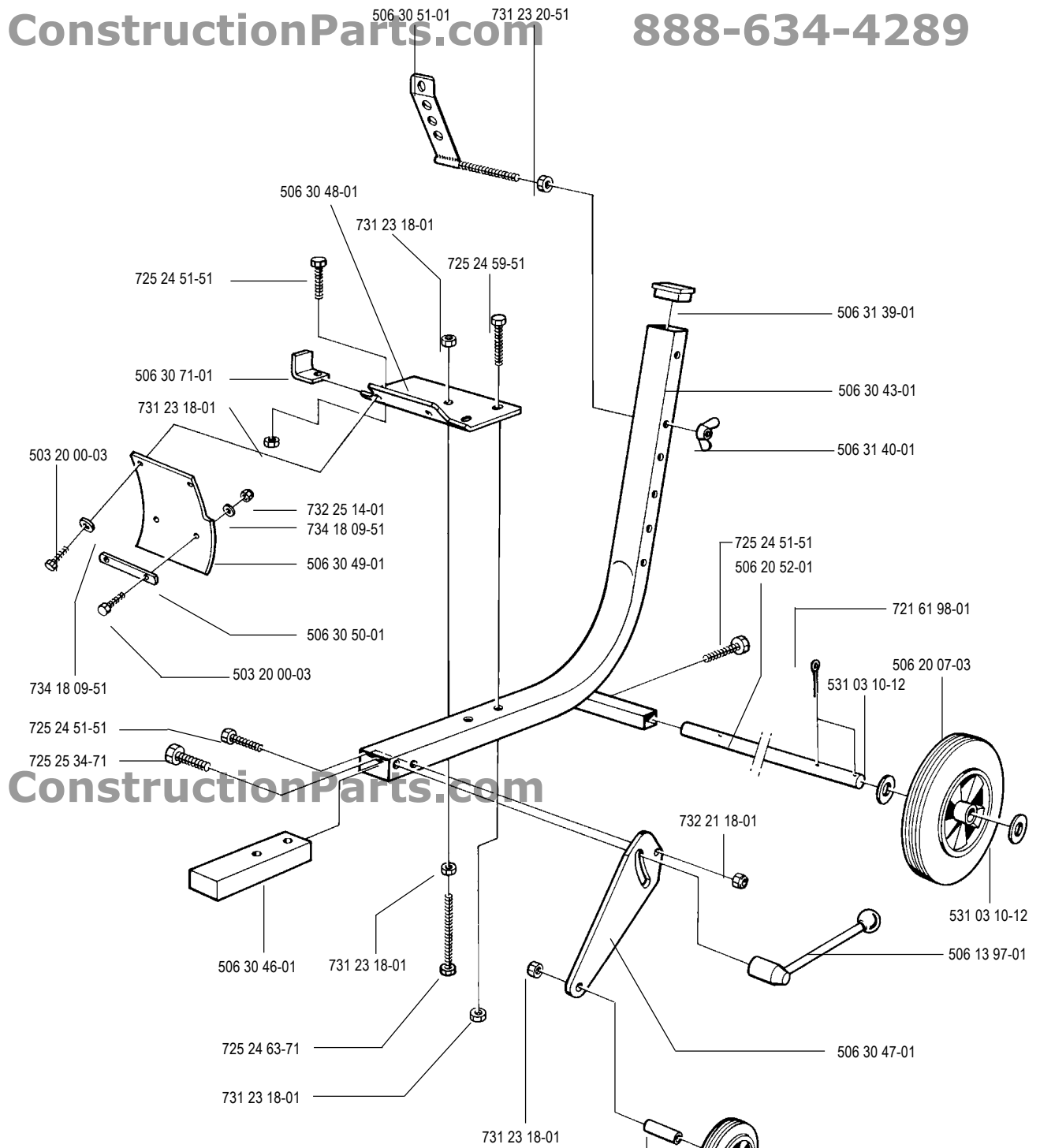
ConstructionParts.com

888-634-4289 **PARTNER**<sup>®</sup>

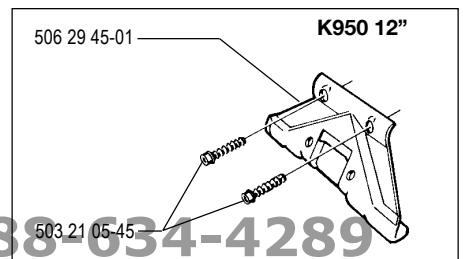
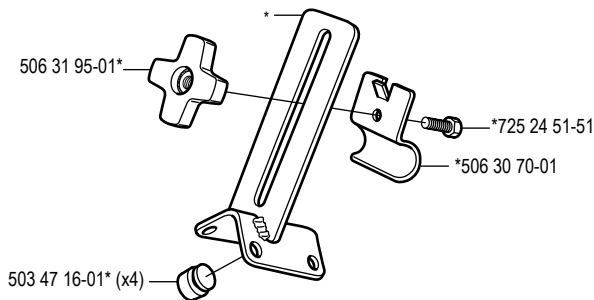
A

ConstructionParts.com

888-634-4289

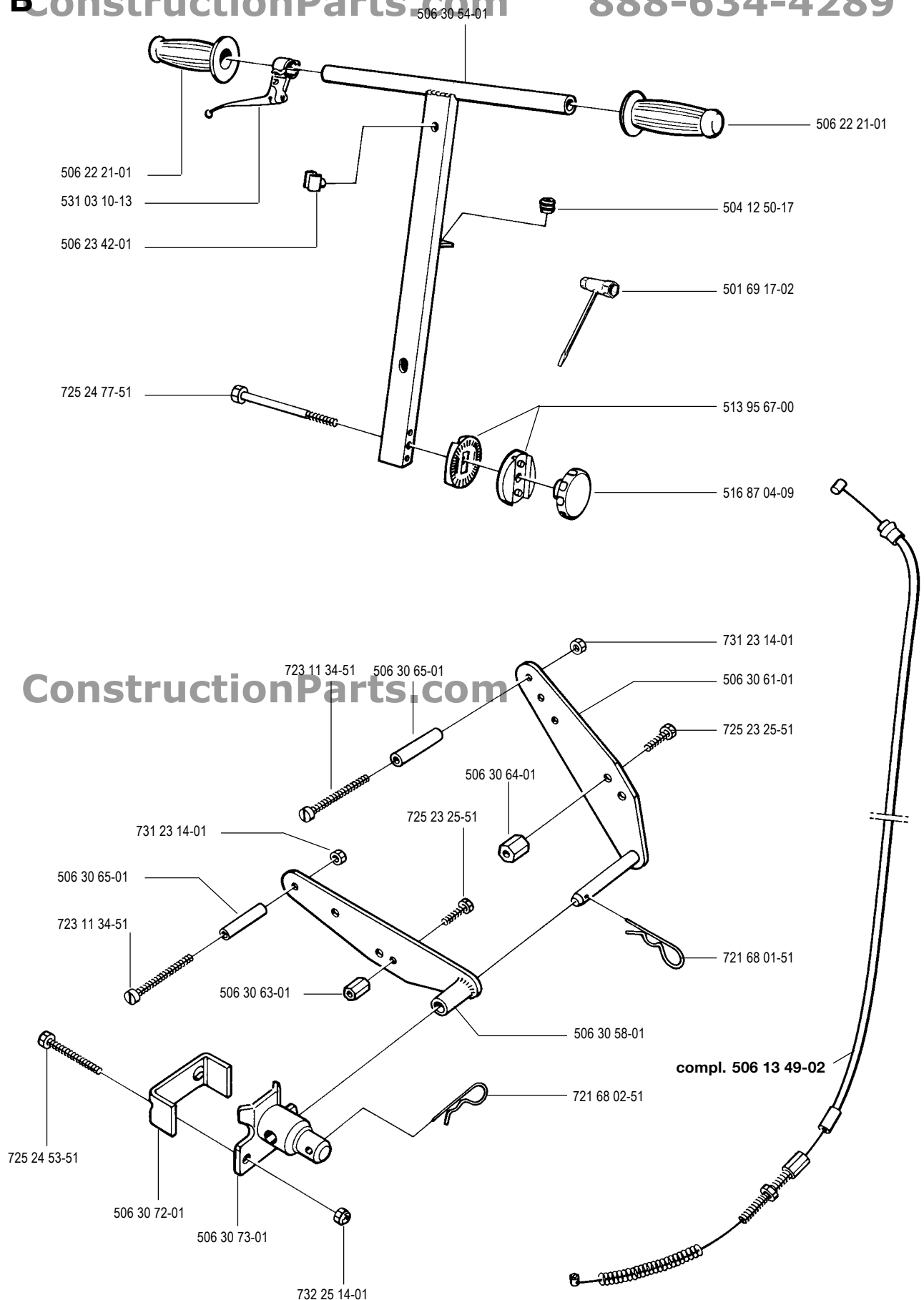


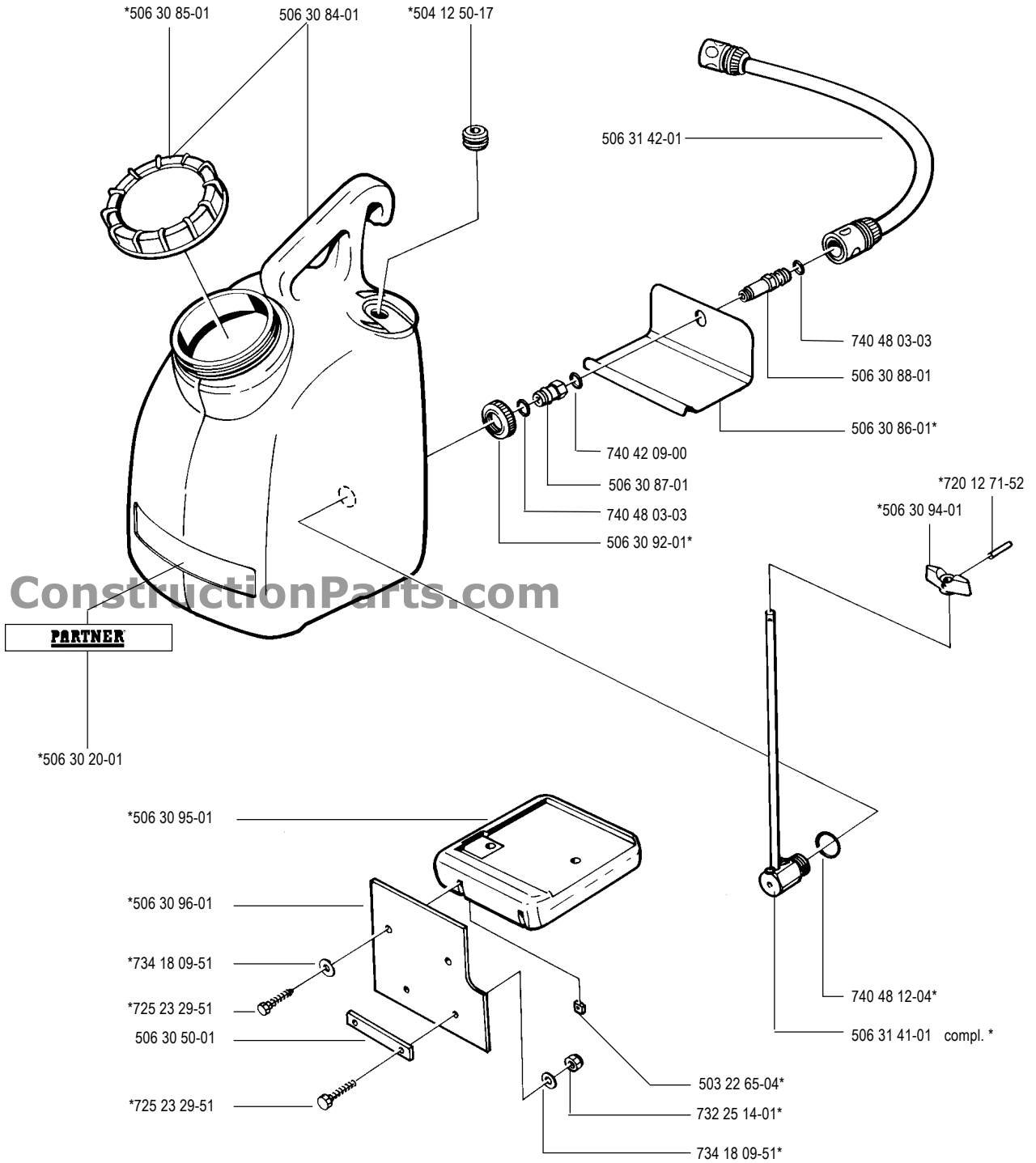
\*Compl 506 30 66-01

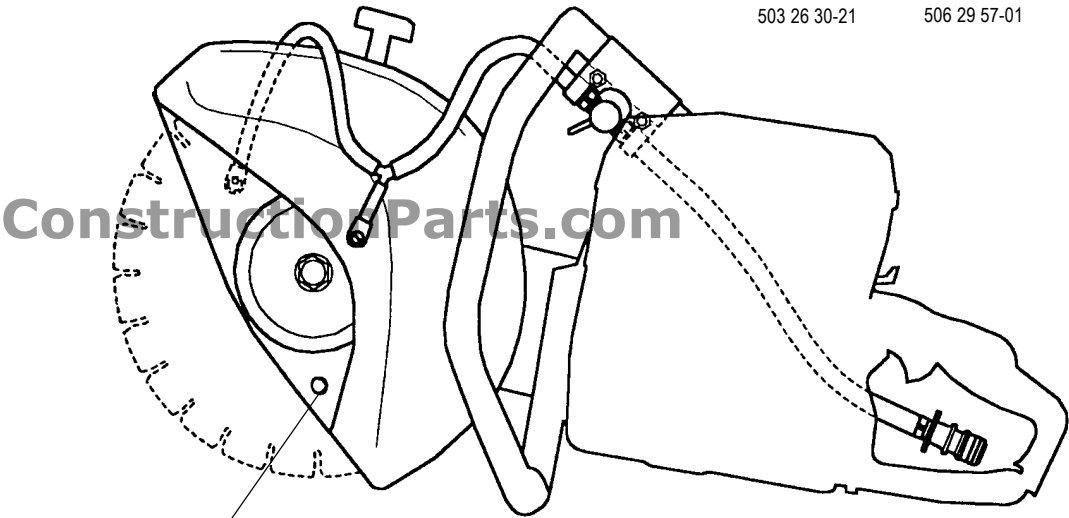
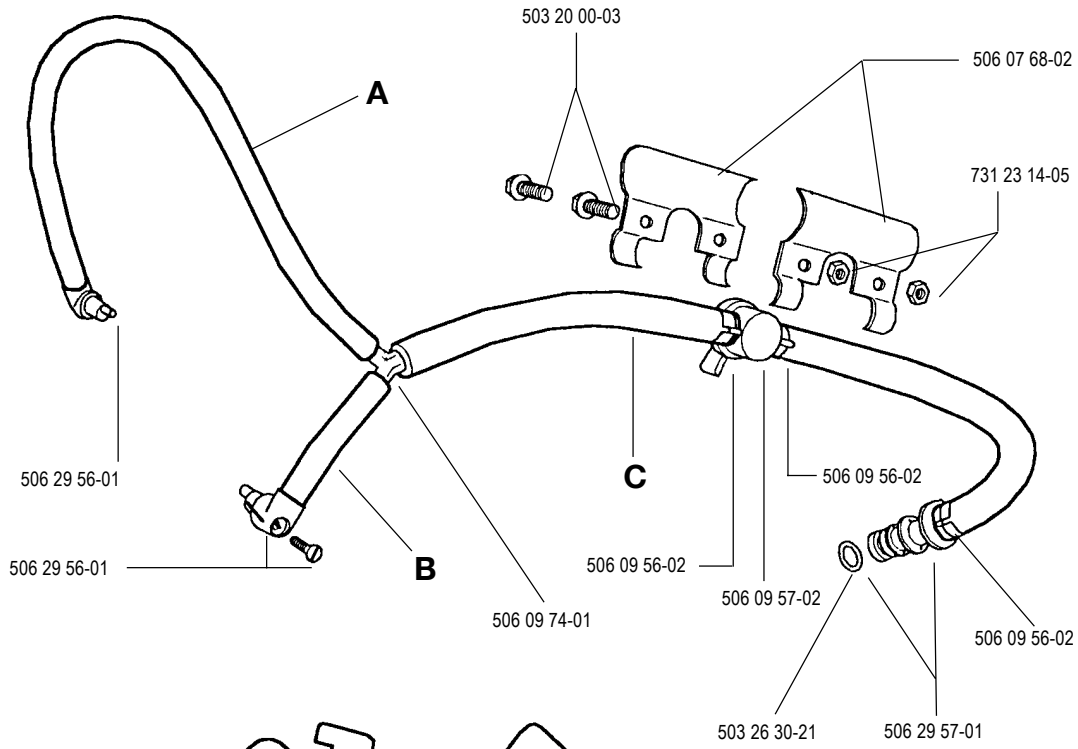


ConstructionParts.com

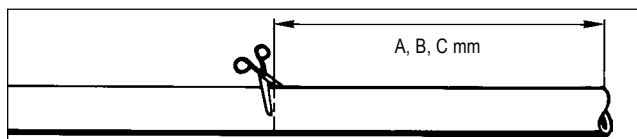
888-634-4289







ConstructionParts.com

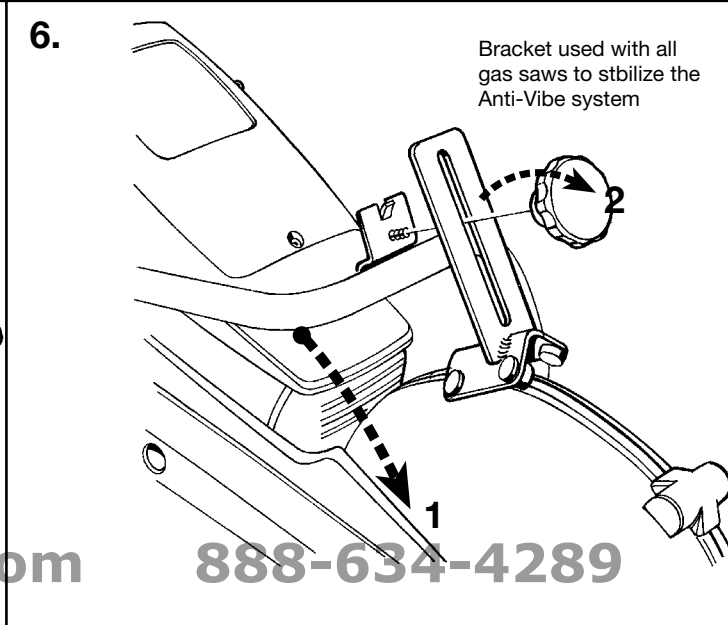
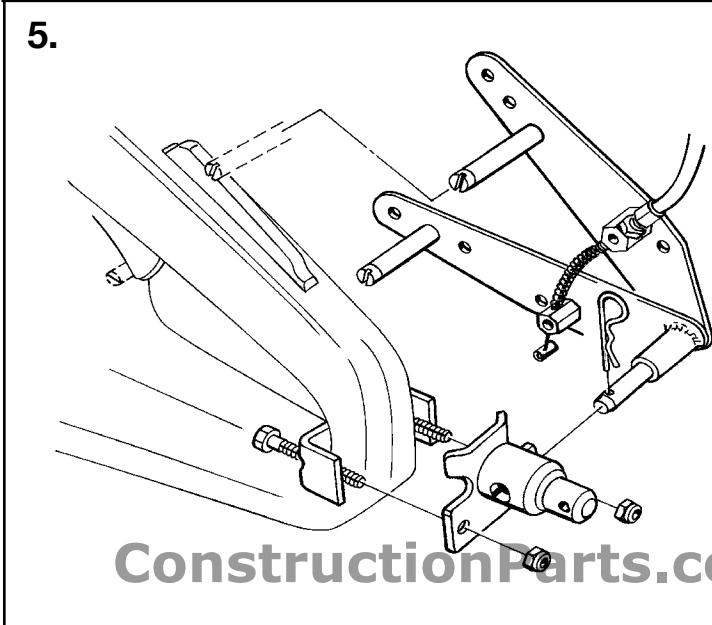
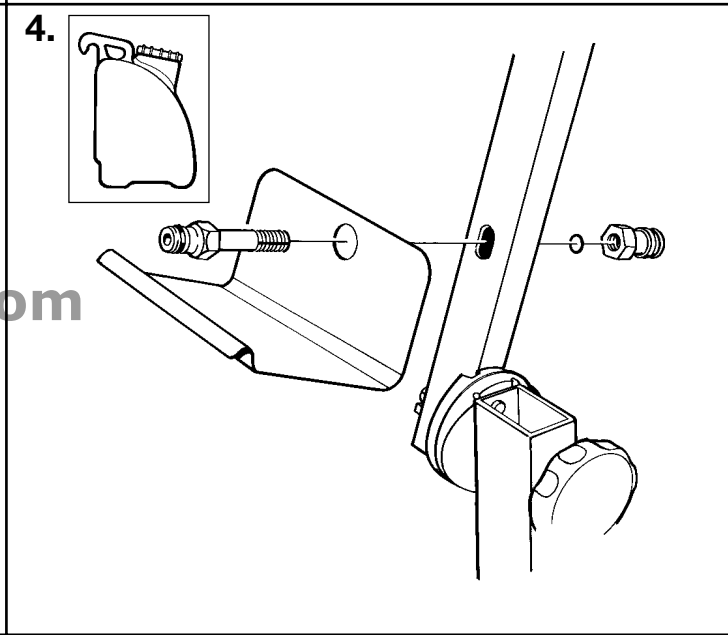
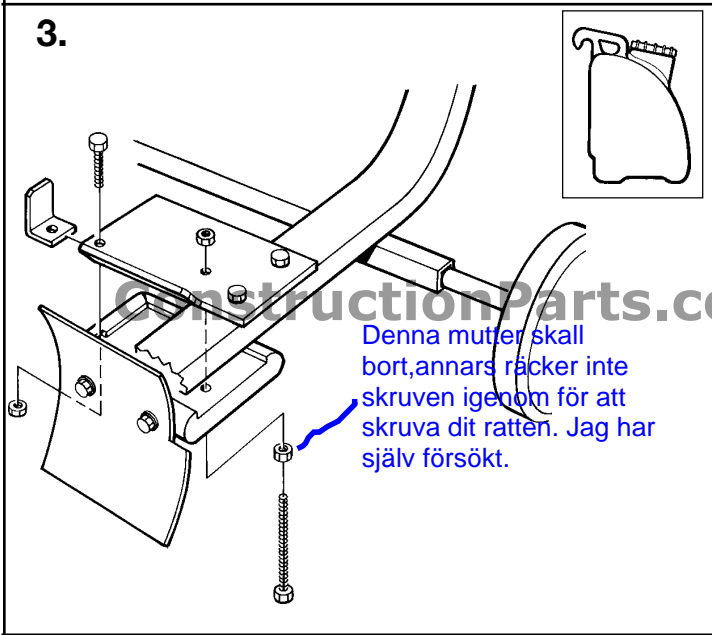
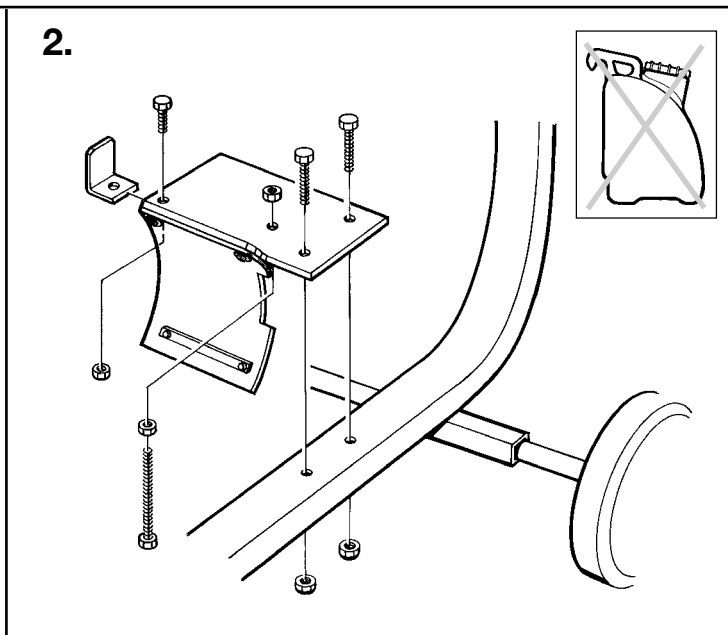
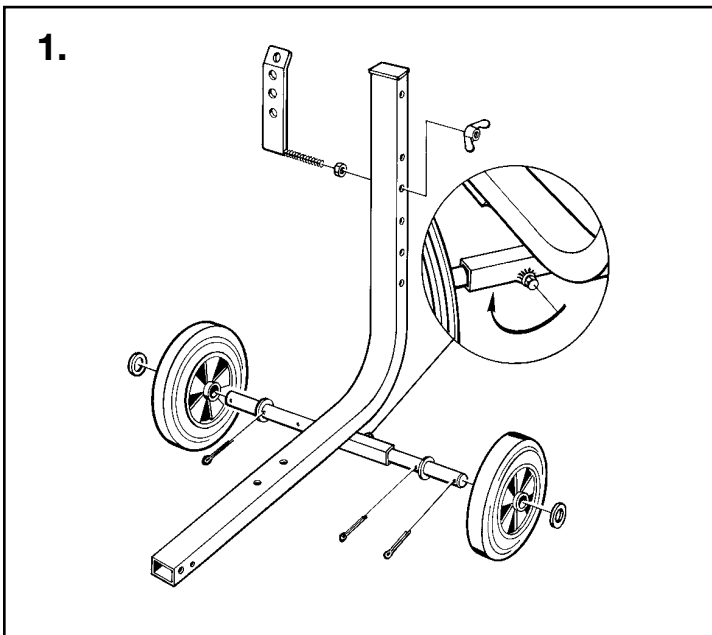


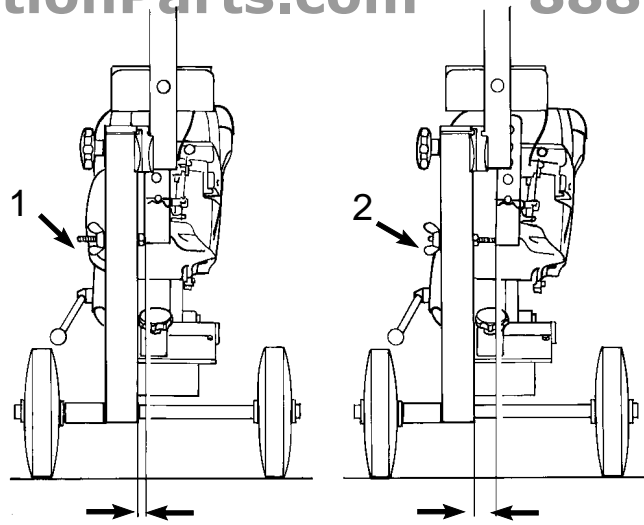
Partner Power Cutter	A	B	C
K500, K540 12"	250	50	350
K650 12"	250	50	350
K700 14"	305	40	335
K850, K950/K1200 12"	250	50	400
K950/K1200/K1250 14"	305	40	365
K950/K1200/K1250 16"	355	40	410
K2500 16"	40	355	270
Y-pipe on right side			
K30 12"	250	50	350
K40 14"	305	40	335

ConstructionParts.com

# ASSEMBLY INSTRUCTION

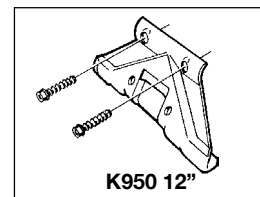
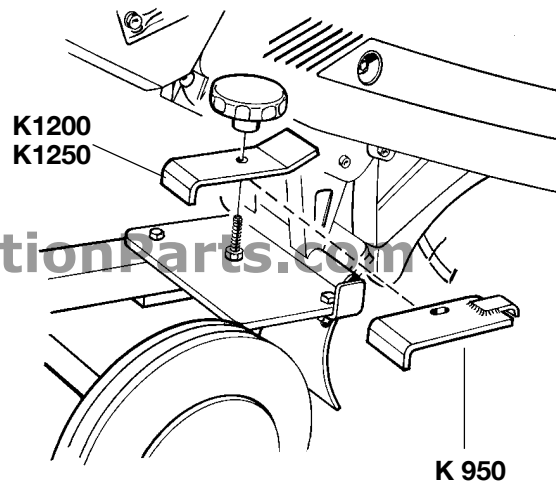
ConstructionParts.com Basic Cart 888-634-4289





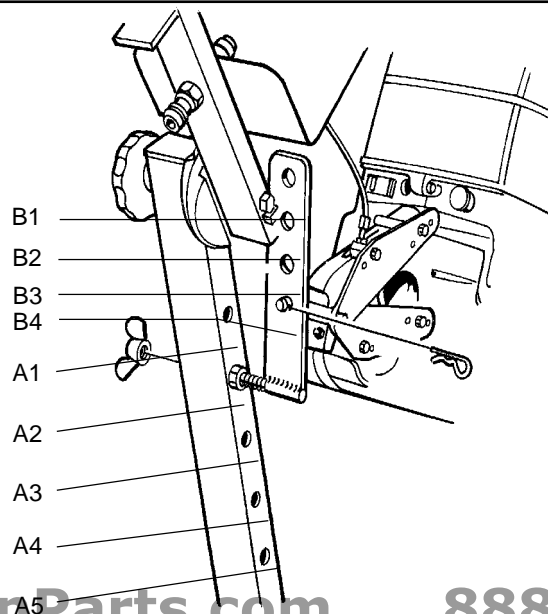
**Aligning Saw**

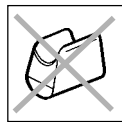
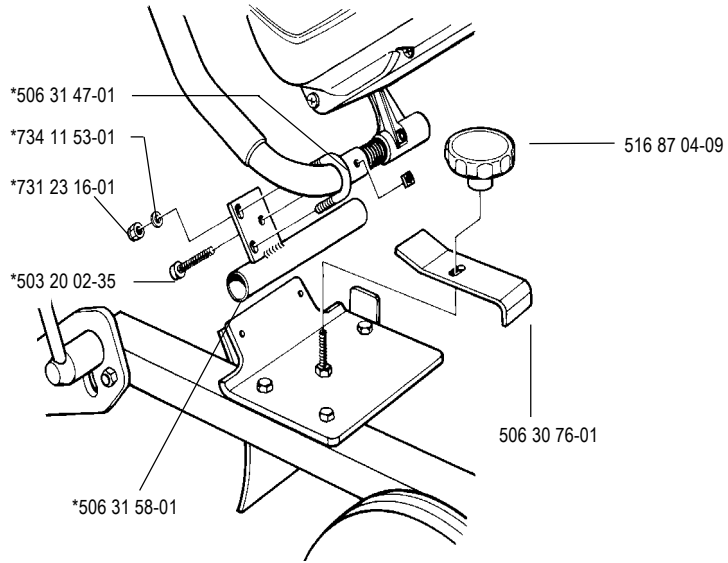
8.



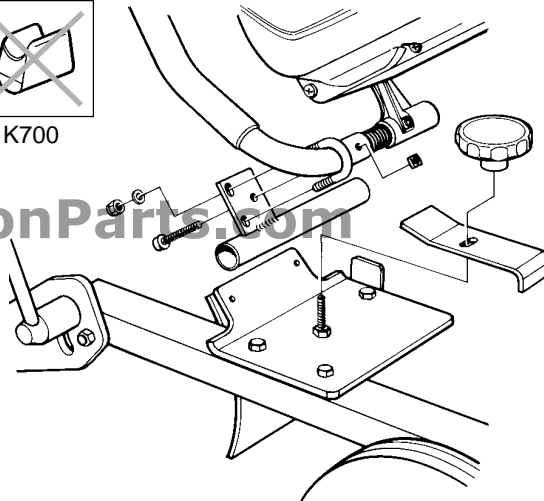
9.

**K1250 = A2 + B3**  
**K 950 = A1 + B1**  
**K1200 = A3 + B3**  
**-\" alt="A detailed diagram of a saw's internal mechanism with various parts labeled A1 through A5 and B1 through B4. A list of part combinations is provided on the left."/>**

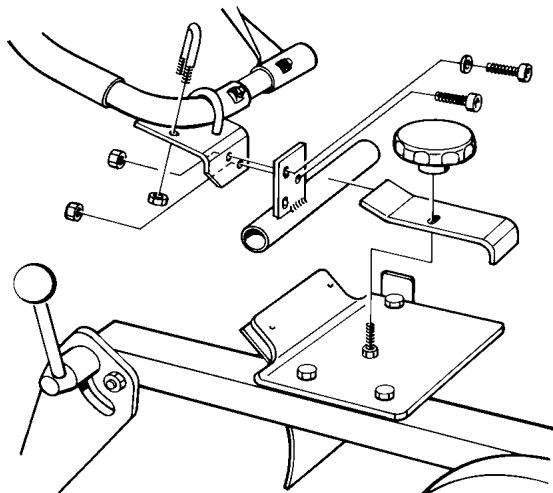
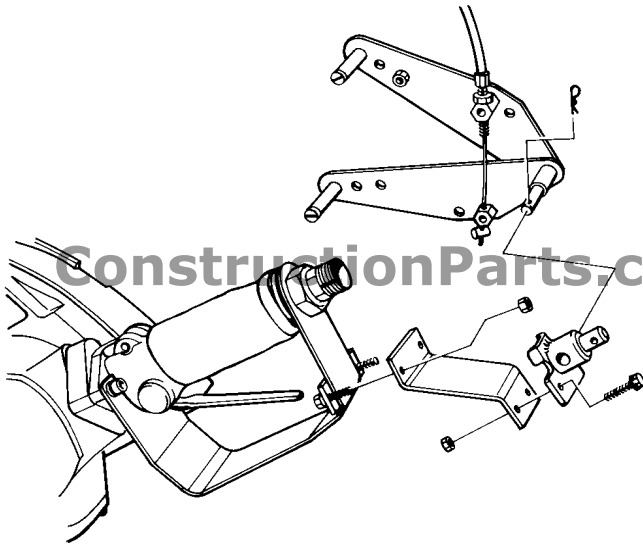
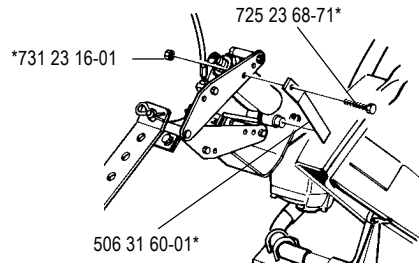
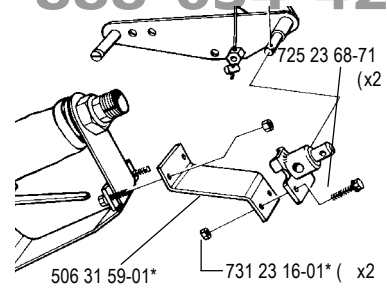
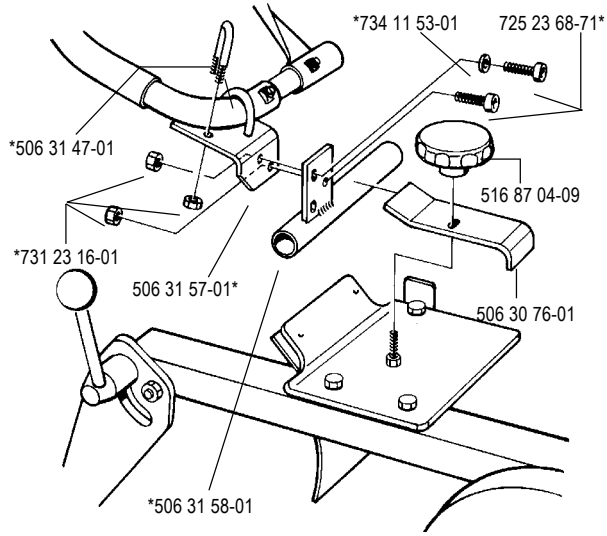




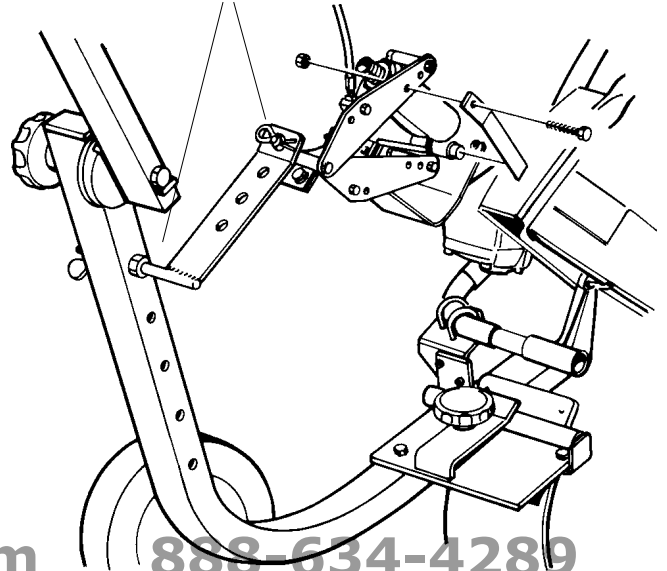
K700

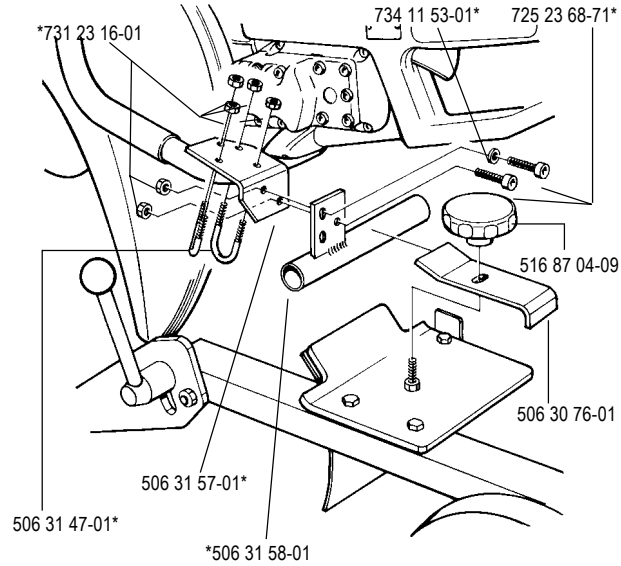


K650/700  
Mounting Positions



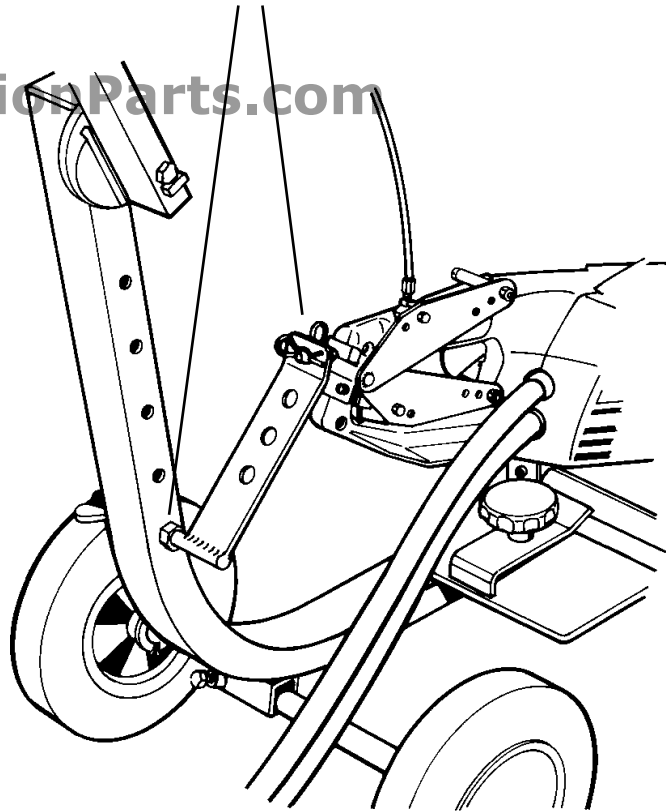
**K30/K40 Mounting Positions**





**K2500 Mounting Positions**

ConstructionParts.com



No.	Pos.	Denomination	No.	Pos.	Denomination	No.	Pos.	Denomination
501 69 17-02	B	Comb.tool	720 12 71-52	C	Pin			
503 20 00-03	A, D	Screw M6SF 5x12	721 61 98-01	A	Split pin			
502 20 02-35	E	Screw MC6SF 5x35	721 68 01-51	B	Spring cotter			
503 21 05-45	A	Screw 6,3x45	721 68 02-51	B	Spring cotter			
503 22 65-04	C	Nut M5	723 11 34-51	B	Screw MCS 5x50			
503 26 30-21	D	O-rin	725 23 25-51	B	Screw M6S 5x10			
504 12 50-17	B, C	Antivibe element	725 23 29-51	C	Screw M6S 5x16			
506 07 68-02	D	Bracket	725 23 35-71	B	Screw M6S 5x25			
506 09 56-02	D	Clamp	725 23 68-71	G,H	Screw 6x16			
506 09 57-02	D	Tap	725 24 51-51	A	Screw M6S 8x20			
506 09 74-01	D	Y-Pipe	725 24 53-51	B	Screw 8x25			
506 13 49-02	B	Throttle wire cpl.	725 24 59-51	A	Screw 8x40			
506 13 66-02	A	Sleeve	725 24 63-71	A	Screw 8x60			
506 13 97-01	A	Handle	725 24 65-51	A,F	Screw M6S 8x70			
506 20 07-03	A	Wheel	725 24 77-51	B	Screw M6S 8x130			
506 20 07-04	A	Wheel	725 25 34-71	A	Screw M6S 12x25			
506 20 52-01	A	Shaft	731 23 14-01	B	Nut M5			
506 22 21-01	B	Handle	731 23 14-05	D	Nut M5			
506 23 42-01	B	Clip	731 23 16-01	E,G,H	Nut M6			
506 23 72-01	D	Plug	731 23 18-01	A,F	Nut M8			
506 29 30-03	D	Wet cutting kit	731 23 20-51	A	Nut M10			
506 29 45-01	A	Support	732 21 18-01	A	Lock nut M8			
506 29 54-01	A	Trolley KV03	732 25 14-01	A,B,C	Nut M5			
506 29 55-01	C	Kit tank KV03	734 11 53-01	E,G,H	Washer			
506 29 56-01	D	Nipple	734 11 65-41	A	Washer			
506 29 57-01	D	Nipple	734 18 09-51	A, C	Washer			
506 30 01-01	E	Kit K650, K700	740 42 09-00	C	O-ring			
506 30 04-01	H	Kit K30, K40	740 48 03-03	C	O-ring			
506 30 05-01	G	Kit K2500	740 48 12-04	C	O-ring			
506 30 20-01	C	Decal						
506 30 43-01	A	Frame						
506 30 46-01	A	Counterweight						
506 30 47-01	A	Arm						
506 30 48-01	A	Bracket						
506 30 49-01	A	Splash guard						
506 30 50-01	A, C	Rod						
506 30 51-01	A	Bracket						
506 30 54-01	B	Handle						
506 30 58-01	B	Arm						
506 30 61-01	B	Arm						
506 30 63-01	B	Nut						
506 30 64-01	B	Nut						
506 30 65-01	B	Sleeve						
506 30 71-01	A	Stop						
506 30 72-01	B	Loop						
506 30 73-01	B	Bracket						
506 30 76-01	E,F,G,H	Plate						
506 30 77-01	F	Plate						
506 30 84-01	C	Tank						
506 30 85-01	C	Tank cap						
506 30 86-01	C	Bracket						
506 30 87-01	C	Nipple						
506 30 88-01	C	Nipple						
506 30 92-01	C	Nut						
506 30 94-01	C	Wing nut						
506 30 95-01	C	Counterweight						
506 30 96-01	C	Splash guard						
506 31 39-01	A	Plug						
506 31 40-01	A	Wing nut						
506 31 41-01	C	Valve						
506 31 42-01	C	Hose						
506 31 47-01	E,G,H	Clamp						
506 31 50-01	F	Kit K950, K1200, K1250						
506 31 57-01	G,H	Bracket						
506 31 58-01	E,G,H	Bracket						
506 31 59-01	H	Bracket						
506 31 60-01	H	Rod						
513 95 67-00	B	Control						
516 87 04-09	B,E,F,G,H	Knob						
531 03 10-12	A	Washer						
531 03 10-13	B	Throttle trigger						