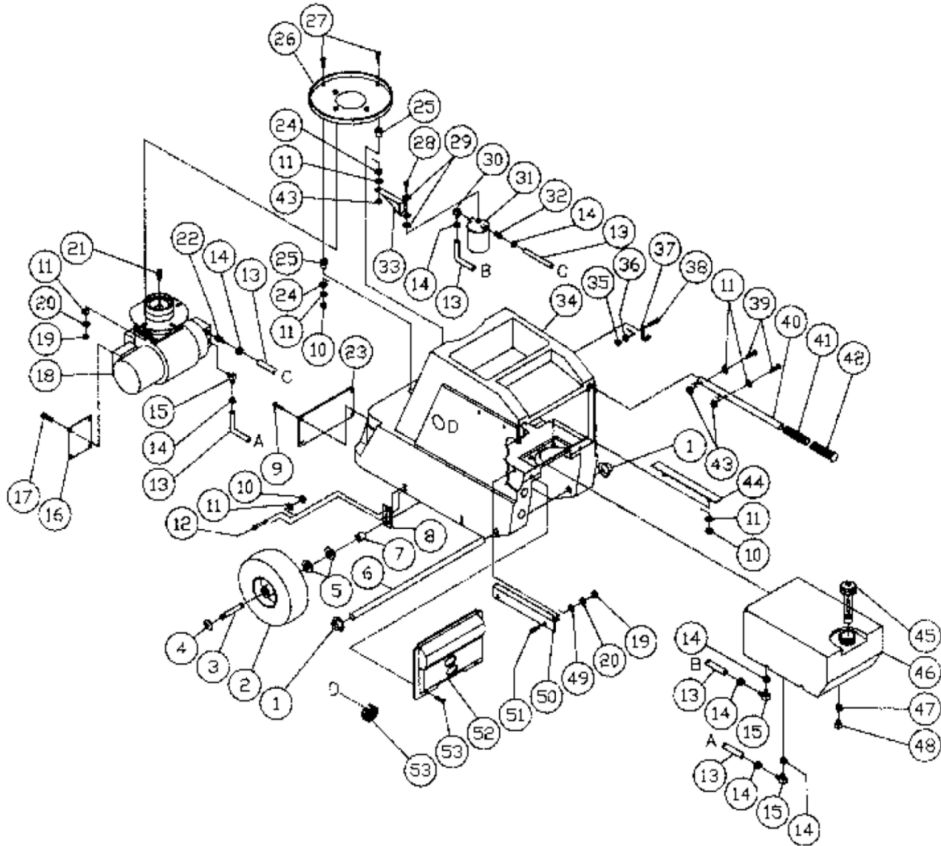




HU-1002-0M12 / HU-1002-0M12 (sn:15611-99999999)

FRAME ASSEMBLY



Id	Item #	Description	Quantity
1	33-0055	HUB CAP	2
2	14-0017	WHEEL	4
3	20-0008	AXLE	2
4	33-0018	HUB CAP	4
5	28-0008	WASHER	8
6	20-0094	AXLE	1
7	20-0314	AXLE SPACER	4
8	20-0223	BRACKET FOR WHEEL CONVERSION	4
9	27-2930	SCREW	4
10	30-0107	HEX NUT	16
11	28-0057	WASHER	23
12	27-0079	BOLT	2

Id	Item #	Description	Quantity
12	27-0070	BOLT	2
13	15-0008	HOSE *(FOUR FEET REQUIRED)	1
14	42-0004	HOSE CLAMP	8
15	23-0054	ELBOW	3
16	33-0017	COVER PLATE	1
17	N/A	SCREW (W/BURNER)	1
18	4-0001	OIL BURNER	1
19	30-0004	HEX NUT	7
20	29-0007	LOCKWASHER	7
21	18-0176	FUEL NOZZLE (W/BURNER)	1
22	23-0051	HOSE BARB	1
23	62-0030	SERVICE PANEL	1
24	28-0650	WASHER	4
25	33-0067	SPACER	4
26	20-9035	PAN	1
27	27-0072	BOLT	4
28	N/A	BOLT (W/FILTER REF #29)	1
29	26-0154	WASHER (W/FILTER REF #29)	2
30	23-0139	HOSE BARB	1
31	19-0012	FUEL OIL FILTER	1
31	19-0010	FUEL OIL FILTER (REPLACEMENT)	1
32	23-0052	HOSE BARB	1
33	13-0108	FUEL FILTER BRACKET	1
34	62-0029	BODY	1
35	30-0155	LOCKNUT	2
36	28-0002	WASHER	2
37	33-0080	J-CLIP	2
38	27-0015	BOLT	2
39	27-0070	BOLT	4
40	7-0060	PUSH HANDLE	2
41	7-0046	FOAM GRIP	1
42	7-0059	HANDLE GRIP	2
43	30-0157	LOCKNUT	4
44	850-0085	SLIDE RAILS	2
45	12-0034	FUEL CAP	1
46	12-0031	FUEL TANK	1
47	42-0011	HOSE CLAMP	1
48	24-0009	PLUG	1
49	28-0022	WASHER	4

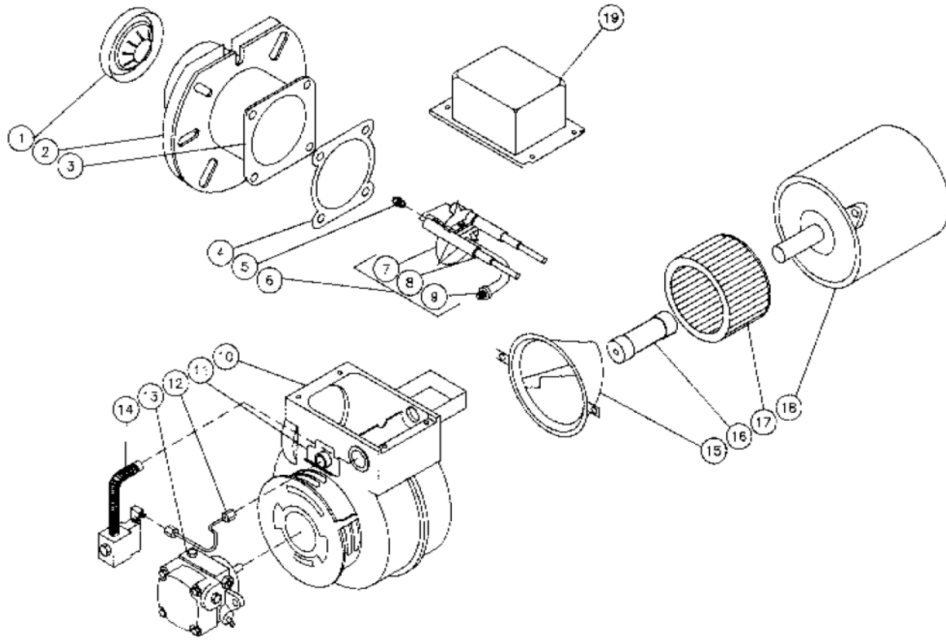
Id	Item #	Description	Quantity
50	20-0101	ANGLE	2
51	27-0067	BOLT	4
52	62-0032	PUMP COVER	1
53	7-0061	KNOB	2
54	39-9001	PLUG	1

*MUST ORDER IN ONE FOOT LENGTHS



HU-1002-0M12 / HU-1002-0M12 (sn:15611-99999999)

BURNER ASSEMBLY



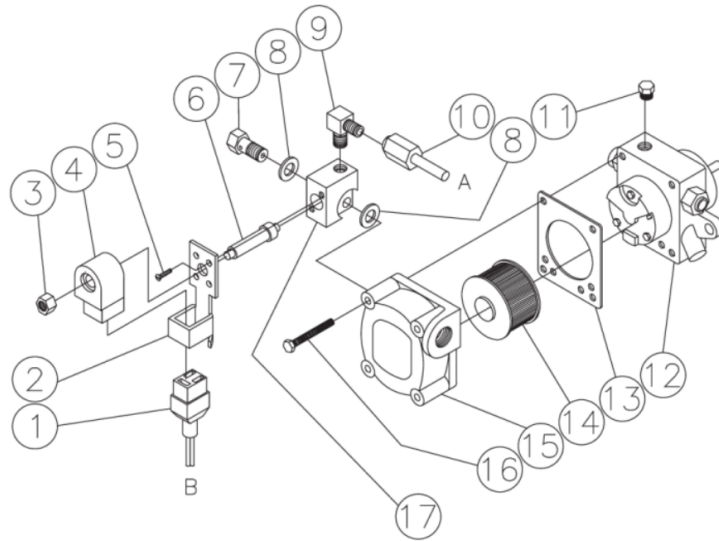
Id	Item #	Description	Quantity
	4-0001	OIL BURNER ASSEMBLY (120V0	1
1	44-0070	HEAD	1
2	26-0062	MOUNTING GASKET	1
3	38-0030	FLANGE	1
4	26-0138	GASKET	1
5	18-0176	OIL NOZZLE	1
6	44-0043	NOZZLE LINE ASSEMBLY (INC. 7-9)	1
7	44-0027	STATIC PLATE	1
8	70-0076	ELECTRODE KIT	1
9	70-0075	BULKHEAD FITTING	1
10	44-0034	BURNER HOUSING	1
11	44-0031	ESCUTCHEON PLATE	1
12	44-0025	FUEL LINE	1
13	3-0020	FUEL PUMP	1
14	44-0038	FUEL SOLENOID (120V)	1

Id	Item #	Description	Quantity
15	N/A	AIR GUARD	1
16	44-0013	COUPLER	1
17	44-0006	BLOWER WHEEL	1
18	2-0033	MOTOR (120V)	1
19	44-0016	IGNITION TRANSFORMER (120V)	1



HU-1002-0M12 / HU-1002-0M12 (sn:15611-99999999)

FUEL PUMP & FUEL SOLENOID



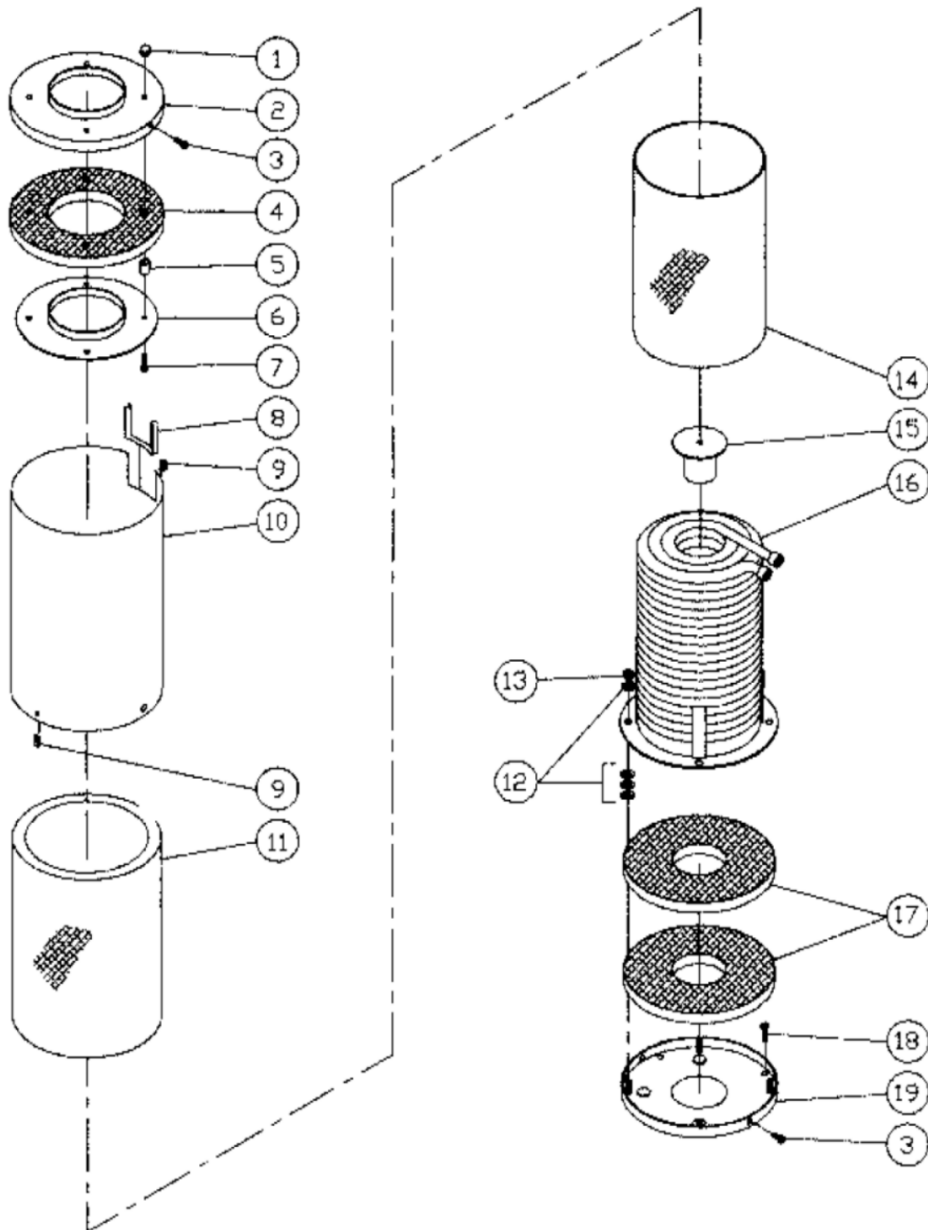
Id	Item #	Description	Quantity
1	46-1017	CORD-DIN CONNECTOR	1
2	N/A Sep.	BASE PLATE (SEE 44-0038)	1
3	46-1016	NUT-SOLENOID PISTON	1
4	44-0002	SOLENOID COIL (120V)	1

Id	Item #	Description	Quantity
5	N/A Sep.	SCREW (SEE 44-0038)	2
6	46-1012	PISTON	1
7	46-1009	BOLT	1
8	26-0150	WASHER	2
9	23-0083	ELBOW	1
10	44-0025	FUEL LINE	1
11	24-0082	PLUG	1
12	N/A Sep.	FUEL PUMP BODY (SEE 3-0020)	1
13	26-0109	COVER GASKET	1
14	19-0034	FUEL PUMP STRAINER	1
15	46-1005	FUEL PUMP COVER	1
16	46-1006	SCREW	4
17	N/A Sep.	SOLENOID BODY (SEE 44-0038)	1
	44-0038	FUEL SOLENOID- 120V (INC. 1-8, 17)	1
	3-0020	FUEL PUMP (INC. 11-16)	1



HU-1002-0M12 / HU-1002-0M12 (sn:15611-99999999)

BOILER ASSEMBLY



Id	Item #	Description	Quantity
1	30-5024	NUT	4
2	20-9035	DOME	1
3	27-2930	SCREW	6
4	33-0122	INSULATION DONUT	1

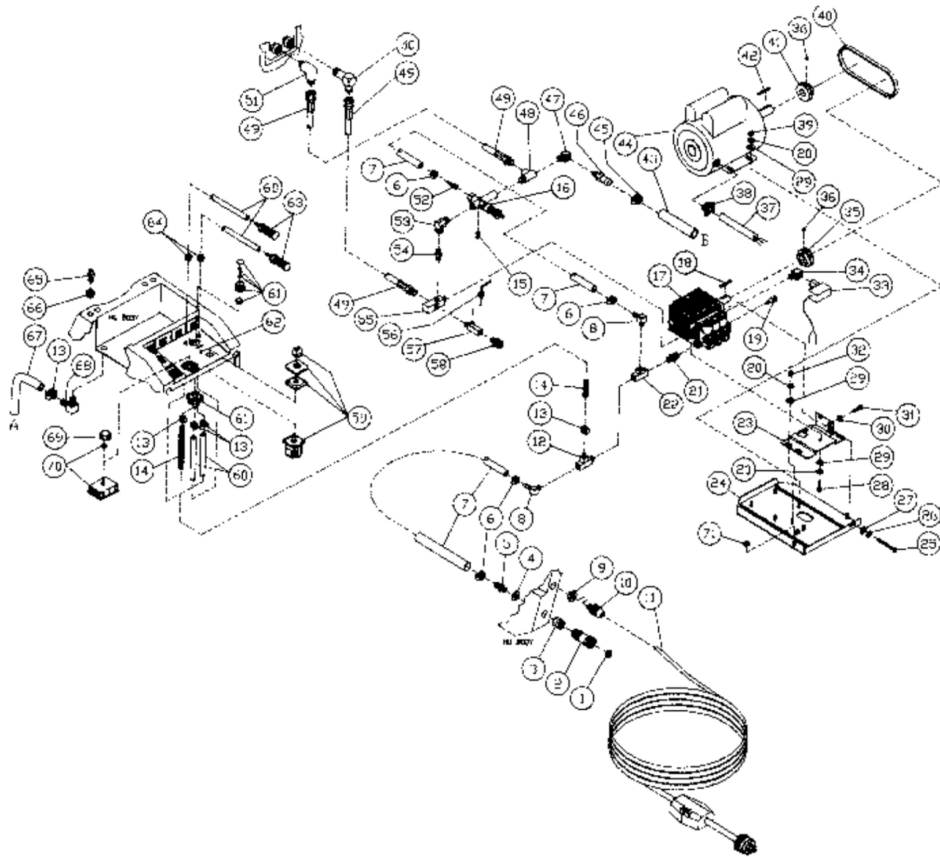
Id	Item #	Description	Quantity
5	21-0082	SPACER	4
6	20-0283	DONE INSULATION	1
7	27-0068	BOLT	4
8	33-0020	EDGING *(ONE FOOT REQUIRED)	1
9	30-2104	NUT/U-CLIP	6
10	850-0084	OUTER WRAP ASSEMBLY (S.S.)	1
11	850-0087	INSULATION BLANKET	1
12	28-0003	WASHER	12
13	30-0107	NUT	3
14	850-0086	SHELL	1
15	20-0257	TARGET ASSEMBLY	1
16	850-0078	COIL ASSEMBLY	1
17	33-0123	INSULATION DONUT	2
18	27-0069	BOLT	3
19	850-0083	PAN	1

*MUST ORDER IN ONE FOOT LENGTHS



· HU-1002-0M12 / HU-1002-0M12 (sn:15611-99999999)

MOTOR/PUMP ASSEMBLY



Id	Item #	Description	Quantity
1	19-0001	INLET FILTER	1
2	22-0099	INLET PRESSURE REGULATOR	1
3	23-0001	GARDEN HOSE SWIVEL	1
4	28-0051	WASHER	1
5	23-0045	HOSE BARB	1
6	42-0011	HOSE CLAMP	4
7	15-0007	HOSE *(FOUR FEET REQUIRED)	1
8	23-0050	ELBOW	1
9	32-0108	LOCKNUT	1
10	9-0044	BUSHING	1
11	32-0268	CORD W/GFCI (35 FOOT)	1

Id	Item #	Description	Quantity
12	850-0072	INJECTOR	1
13	42-0004	HOSE CLAMP	4
14	15-0079	HOSE *(TWO FEET REQUIRED)	1
15	24-0009	PLUG	1
16	8-0361	UNLOADER	1
17	3-0065	PUMP	1
18	43-0028	KEY	1
19	22-0114	HEAT DUMP VALVE	1
20	29-0007	LOCKWASHER	8
21	24-0010	HEX NIPPLE	1
22	23-0041	TEE	1
23	20-0104	PUMP RAIL	1
24	20-0105	PUMP/MOTOR PLATE	1
25	27-0478	BOLT	1
26	29-0006	LOCKWASHER	1
27	28-0002	WASHER	1
28	27-8042	BOLT	2
29	28-0003	WASHER	2
30	29-0153	LOCKWASHER	2
31	27-8000	BOLT	2
32	30-0107	LOCKNUT	2
33	850-0173	PRESSURE SWITCH	1
34	24-0021	ELBOW	1
35	10-0059	SHEAVE	1
36	27-4362	SET SCREW	2
37	32-0024	CORD *(TWO FEET REQUIRED)	1
38	32-0076	CONNECTOR	1
39	30-0004	HEX NUT	4
40	11-0027	BELT	1
41	10-0023	SHEAVE	1
42	43-0040	KEY	1
43	15-0033	HOSE *(TWO FEET REQUIRED)	1
44	2-0051	MOTOR	1
45	42-0003	HOSE CLAMP	1
46	22-0045	POP OFF VALVE	1
47	24-0105	ELBOW	1
48	23-0058	TEE	1
49	15-0069	HOSE	2
50	24-0075	ELBOW	1

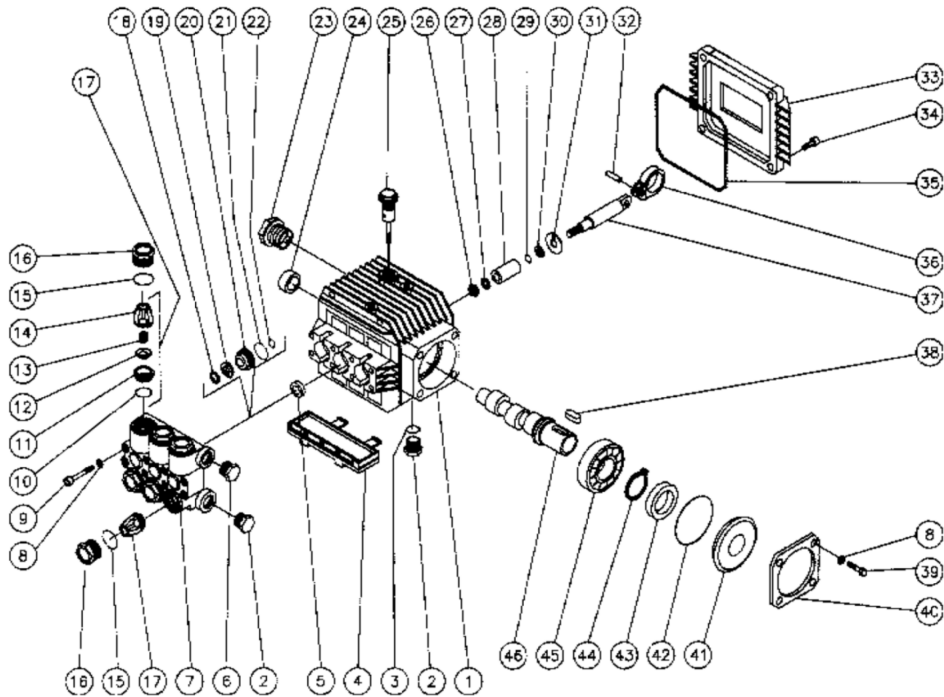
Id	Item #	Description	Quantity
51	24-0074	ELBOW	1
52	23-0120	HOSE BARB	1
53	24-0046	ELBOW	1
54	24-0132	ADAPTER	1
55	51-0008	MANIFOLD BLOCK	1
56	22-0118	THERMO PROBE	1
57	23-0013	TEE	1
58	17-0007	QUICK CONNECT SOCKET	1
59	22-0124	SWITCH	1
60	15-0021	DETERGENT HOSE *(NINE FEET REQUIRED)	1
61	22-0090	DETERGENT VALVE	1
62	34-0294	DECAL-INSTRUCTIONS	1
63	19-0050	DETERGENT STRAINER	2
64	33-0101	GROMMET	2
65	18-0028	NOZZLE-0004	1
65	18-0029	NOZZLE-1504	1
65	18-0030	NOZZLE-2504	1
65	18-0031	NOZZLE-4004	1
66	33-0088	GROMMET	4
67	15-0020	HOSE *(ONE FOOT REQUIRED)	1
68	23-0123	ELBOW	1
69	7-0054	KNOB	1
70	22-0117	THERMOSTAT	1
71	30-0203	HEX NUT	1

*MUST ORDER IN ONE FOOT LENGTHS



HU-1002-0M12 / HU-1002-0M12 (sn:15611-99999999)

PUMP ASSEMBLY



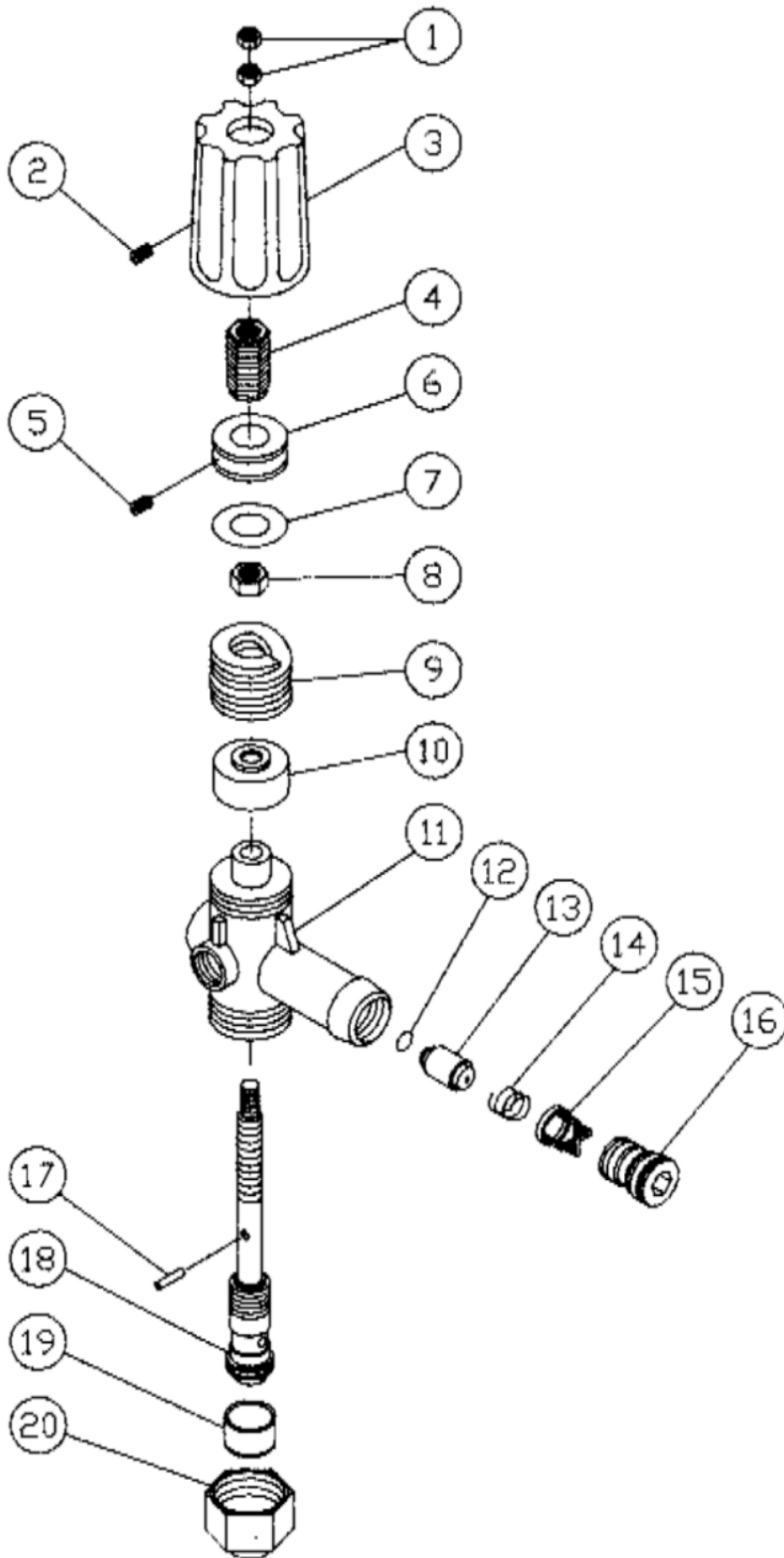
Id	Item #	Description	Quantity
1	46-0221	CRANKCASE	1
2	39-0018	PLUG	2
3	25-0052	O-RING	1
4	46-0229	DRIP PAN	1
5	70-0015	OIL SEAL KIT (SET OF 3)	1
6	39-0017	PLUG	1
7	46-0163	MANIFOLD	1
8	29-0153	LOCKWASHER	12
9	27-8406	BOLT	8
10	N/A Sep.	O-RING (SEE 70-0009)	6
11	N/A SEP.	VALVE SEAT (SEE 70-0009)	6
12	N/A SEP.	VALVE PLATE (SEE 70-0009)	6
13	N/A Sep.	VALVE SPRING (SEE 70-0009)	6
14	N/A SEP.	VALVE CAGE (SEE 70-0009)	6

Id	Item #	Description	Quantity
15	25-0012	O-RING	6
16	39-0035	VALVE PLUG	6
17	N/A SEP.	VALVE ASSEMBLY (SEE 70-0009)	6
18	N/A Sep.	HEAD RING (SEE 70-0024)	3
19	N/A Sep.	V-PACKING (SEE 70-0024)	3
20	46-0158	V-PACKING RETAINER	3
21	25-0141	O-RING	3
22	25-0128	O-RING	3
23	46-0114	OIL LEVEL INDICATOR	1
24	48-0019	NEEDLE BEARING	1
25	46-0143	OIL DIPSTICK	1
26	46-0168	NUT	3
27	46-0166	WASHER	3
28	46-0148	PLUNGER	3
29	25-0045	O-RING	3
30	25-0143	BACK-UP RING	3
31	46-0167	FLINGER WASHER	3
32	43-0044	CONNECTING ROD PIN	3
33	46-0151	CRANKCASE COVER	1
34	27-8409	BOLT	4
35	25-0332	GASKET COVER	1
36	46-0152	CONNECTING ROD	3
37	46-0149	PISTON GUIDE	3
38	43-0028	KEY	3
39	27-8000	BOLT	4
40	46-0084	BEARING RETAINER	1
41	46-0087	BEARING SPACER	1
42	25-0060	O-RING	1
43	26-0048	OIL SEAL	1
44	46-0104	SNAP RING	1
45	48-0018	BALL BEARING	1
46	46-0220	CRANKSHAFT	1
KIT	70-0009	VALVE KIT (INC. 6 EACH 10-14, 17)	
KIT	70-0024	V-PACKING KIT (INC. 3 EACH 18, 19, 21, 22)	



HU-1002-0M12 / HU-1002-0M12 (sn:15611-99999999)

UNLOADER ASSEMBLY

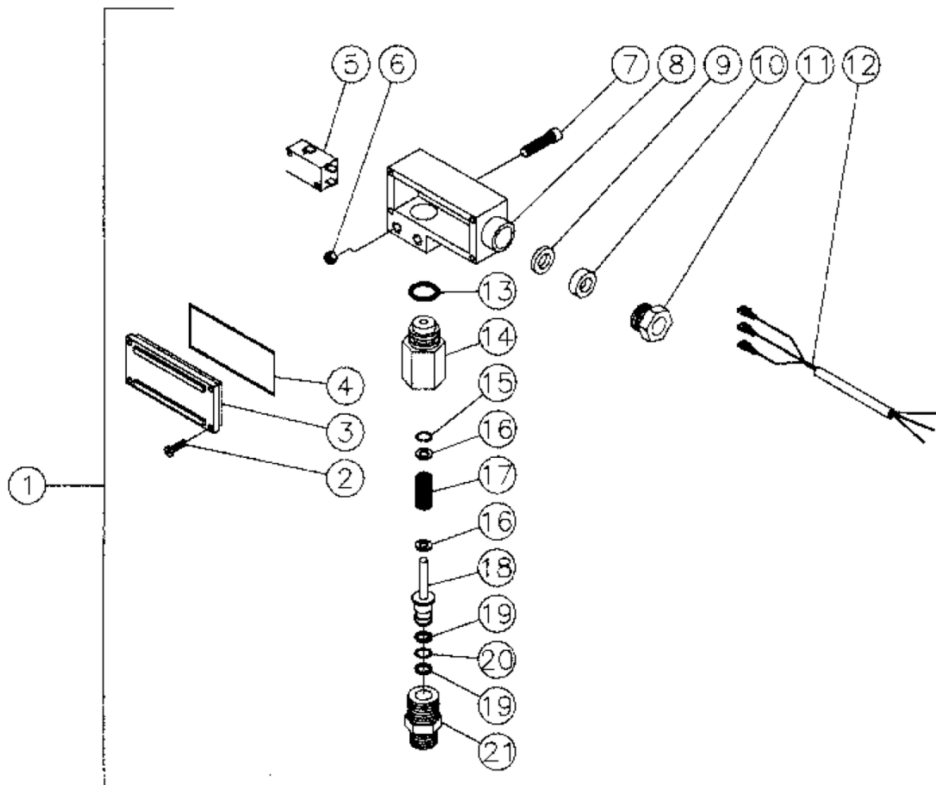


Id	Item #	Description	Quantity
1	8-0362	HEX NUT	2
2	N/A	SET SCREW	-
3	N/A	REGULATING KNOB	-
4	8-0363	ADJUSTING SCREW INSERT	1
5	8-0365	SET SCREW	1
6	8-0364	ADJUSTING SCREW	1
7	8-0366	GLIDE RING	1
8	8-0367	HEX NUT	1
9	49-0104	SPRING	1
10	8-0368	BUSHING	1
11	8-0369	UNLOADER BODY	1
12	25-0036	O-RING	1
13	8-0105	VALVE	1
14	49-0023	SPRING	1
15	8-0104	VALVE HOUSING	1
16	8-0269	SAFETY NUT	1
17	8-0372	CYLINDER PIN	1
18	8-0370	REPAIR KIT	1
19	8-0371	DISTANCE PIECE	1
20	8-0157	STOP NUT	1



HU-1002-0M12 / HU-1002-0M12 (sn:15611-99999999)

PRESSURE SWITCH



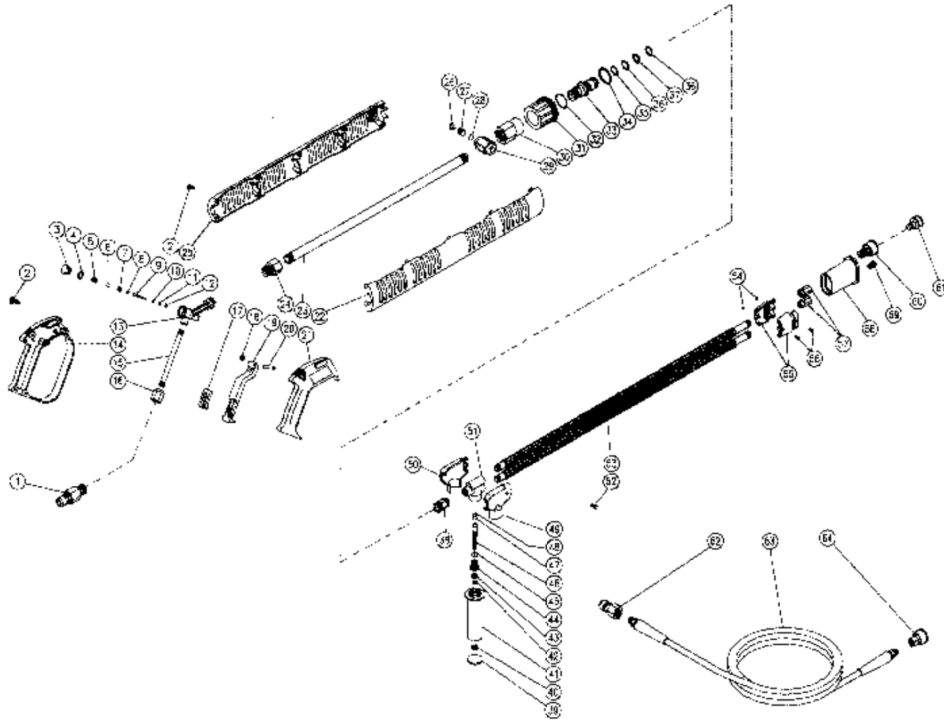
Id	Item #	Description	Quantity
1	850-0173	PRESSURE SWITCH COMPLETE	1
2	N/A	SCREW	4
3	N/A	COVER	1
4	N/A	O-RING	1
5	N/A	MICRO SWITCH	1
6	N/A	HEX NUT	2
7	N/A	SCREW	2
8	N/A	HOUSING	1
9	N/A	WASHER SPACER	1
10	N/A	GASKET/SEAL	1
11	N/A	BUSHING NUT	1
12	N/A	WIRE ASSEMBLY	1

Id	Item #	Description	Quantity
13	N/A	O-RING	1
14	N/A	SPRING HOUSING	1
15	N/A SEP.	O-RING (SEE 70-0007)	1
16	28-0218	WASHER SPACER	2
17	49-0107	SPRING	1
18	N/A	PISTON	1
19	N/A SEP.	BACK-UP RING (SEE 70-0007)	2
20	N/A SEP.	O-RING (SEE 70-0007)	1
21	N/A	HEX NIPPLE	1
	70-0007	O-RING KIT (INC. 15, 19, 20)	



HU-1002-0M12 / HU-1002-0M12 (sn:15611-99999999)

GUN/WAND ASSEMBLY



Id	Item #	Description	Quantity
1	17-0005	QUICK CONNECT PLUG	1
2	27-8382	SCREW	13
3	N/A Sep.	PLUG (SEE 70-0057)	1
4	N/A Sep.	O-RING (SEE 70-0057)	1
5	N/A Sep.	SPRING (SEE 70-0057)	1
6	N/A Sep.	BALL (SEE 70-0057)	1
7	N/A Sep.	SEAT (SEE 70-0057)	1
8	N/A Sep.	O-RING (SEE 70-0057)	1
9	N/A Sep.	PIN (SEE 70-0057)	1
10	N/A Sep.	WASHER (SEE 70-0057)	1
11	N/A Sep.	O-RING (SEE 70-0057)	1
12	N/A Sep.	BACK-UP RING (SEE 70-0057)	1
13	23-0183	HOUSING	1
14	16-0189	PLASTIC HOUSING (LEFT SIDE)	1

Id	Item #	Description	Quantity
15	21-0095	PIPE	1
16	23-0174	NIPPLE	1
17	16-0188	TRIGGER SAFETY LOCK	1
18	16-0186	TRIGGER REST	1
19	16-0187	TRIGGER	1
20	43-0069	TRIGGER PIN	1
21	16-0185	PLASTIC HOUSING (RIGHT SIDE)	1
22	16-0279	GUARD LANCE (RIGHT SIDE)	1
23	16-0277	PIPE	1
24	16-0283	ADAPTER	1
25	16-0278	GUARD LANCE (LEFT SIDE)	1
26	39-0076	PLUG	1
27	49-0103	SCREW	1
28	16-0282	SPACER	1
29	N/A SEP.	LANCE HOLDER (SEE 850-0179)	1
30	23-0264	ADAPTER	1
31	16-0239	HAND WHEEL	1
32	28-0064	WASHER	1
33	23-0056	SCREW CONNECT PLUG	1
34	23-0257	SCREW CONNECT CUP	1
35	25-0348	O-RING	1
36	25-0291	O-RING	2
37	25-0292	BACK-UP RING	1
38	23-0268	ADAPTER	1
39	16-0312	HANDLE PLUG	1
40	30-3002	HEX NUT	1
41	16-0313	HANDLE	1
42	28-1021	WASHER	1
43	30-3010	HEX NUT	1
44	23-0271	HEX ADAPTER	1
45	25-0351	O-RING	1
46	16-0314	STEM PISTON	1
47	25-0352	BACK-UP RING	1
48	25-0353	O-RING	1
49	16-0315	UPPER PROTECTOR	1
50	16-0316	LOWER PROTECTOR	1
51	23-0272	BODY	1
52	27-8862	SCREW	1
53	16-0317	LANCE W/PROTECTIVE COVER	2

Id	Item #	Description	Quantity
54	30-3060	HEX NUT	2
55	16-0318	PIPE CLAMP	2
56	27-8861	SCREW	2
57	24-0127	NIPPLE	2
58	16-0319	NOZZLE PROTECTOR	1
59	18-0110	DETERGENT NOZZLE	1
60	17-0028	QUICK CONNECT SOCKET	1
61	18-0003	NOZZLE-0005	1
61	18-0004	NOZZLE-1505	1
61	18-0153	NOZZLE-2505	1
61	18-0180	NOZZLE-4005	1
62	17-0006	QUICK CONNECT PLUG	1
63	15-0003	HOSE ASSEMBLY	1
64	17-0004	QUICK CONNECT SOCKET	1
	850-0179	GUN W/LANCE ASSEMBLY (INC. 2-37)	
	850-0178	DUAL LANCE ASSEMBLY (INC. 38-60)	
	851-0007	HOSE ASSEMBLY (INC. 62-64)	
	70-0057	GUN REPAIR KIT (INC. 3-12)	
	70-0143	O-RING KIT (INC. 45, 47, 48)	